

March 30, 2018

Florida Public Service Commission
Office of Commission Clerk
2540 Shumard Oak Boulevard
Tallahassee, Florida 32399-0850

Dear Sir/Madam,

In accordance with Section 186.801, Florida Statutes and Rule 25-22.071(1), Florida Administrative Code, Gainesville Regional Utilities hereby submits its electronic version of the 2018 Ten-Year Site Plan through your web-based filing system for your review.

We are also submitting five hardcopies of this document via overnight mail to arrive no later than April 2nd.

Please let me know if you have any questions regarding our Ten-Year Site Plan.

Sincerely,

/s/Jamie Verschage
Power Planning, Contracts, and Settlement Manager
Gainesville Regional Utilities

GAINESVILLE REGIONAL UTILITIES

2018 TEN-YEAR SITE PLAN



Submitted to:

The Florida Public Service Commission

April 1, 2018

Table of Contents

INTRODUCTION	1
1. DESCRIPTION OF EXISTING FACILITIES	2
1.1 GENERATION	2
1.1.1 Generating Units	3
1.1.2 Generating Plant Sites	4
1.2 TRANSMISSION	5
1.2.1 The Transmission Network.....	5
1.2.2 Transmission Lines	6
1.2.3 State Interconnections.....	6
1.3 DISTRIBUTION	7
1.4 WHOLESALE ENERGY.....	8
1.5 DISTRIBUTED GENERATION.....	8
Figure 1.1 GRU Electric Facilities.....	10
Figure 1.2 GRU Electric System One-Line Diagram	11
Schedule 1 Existing Generating Facilities	12
Table 1.1 Transmission Line Ratings Summer Power Flow Limits.....	13
Table 1.2 Substation Transformation and Circuits	14
2. FORECAST OF ELECTRIC ENERGY AND DEMAND REQUIREMENTS	15
2.1 FORECAST ASSUMPTIONS AND DATA SOURCES	15
2.2 FORECASTS OF NUMBER OF CUSTOMERS, ENERGY SALES AND SEASONAL PEAK DEMANDS	17
2.2.1 Residential Sector	17
2.2.2 General Service Non-Demand Sector	19
2.2.3 General Service Demand Sector	21
2.2.4 Large Power Sector.....	22
2.2.5 Outdoor Lighting Sector.....	23
2.2.6 Wholesale Energy Sales	23
2.2.7 Total System Sales, Net Energy for Load, Seasonal Peak Demands and Conservation Impacts.....	24
2.3 ENERGY SOURCES AND FUEL REQUIREMENTS	25
2.3.1 Fuels Used by System.....	25
2.3.2 Purchased Power Agreements.....	25
2.4 DEMAND-SIDE MANAGEMENT	26
2.4.1 Demand-Side Management Programs	26
2.4.2 Demand-Side Management Methodology and Results	27
2.4.3 Supply Side Programs.....	27
2.5 FUEL PRICE FORECAST ASSUMPTIONS.....	28
2.5.1 Coal	28
2.5.2 Natural Gas	29
2.5.3 Biomass.....	30

History and Forecast of Energy Consumption and Number of Customers by Customer Class	
Schedule 2.1	31
Schedule 2.2	32
Schedule 2.3	33
History and Forecast of Peak Demand - MW	
Schedule 3.1 Summer.....	34
Schedule 3.2 Winter.....	35
History and Forecast of Net Energy for Load - GWH	
Schedule 3.3	36
Previous Year and 2-Year Forecast of Peak Demand and Net Energy for Load	
Schedule 4	37
Fuel Requirements	
Schedule 5	38
Energy Sources (GWH)	
Schedule 6.1	39
Energy Sources (%)	
Schedule 6.2	40
3. FORECAST OF FACILITIES REQUIREMENTS	41
3.1 GENERATION RETIREMENTS.....	41
3.2 RESERVE MARGIN AND SCHEDULED MAINTENANCE	41
3.3 GENERATION ADDITIONS.....	41
3.4 DISTRIBUTION SYSTEM ADDITIONS.....	41
Forecast of Capacity, Demand, and Scheduled Maintenance at Time of Peak	
Schedule 7.1 Summer.....	43
Schedule 7.2 Winter.....	44
Planned and Prospective Generating Facility Additions and Changes	
Schedule 8	45
4. ENVIRONMENTAL AND LAND USE INFORMATION	46
4.1. DESCRIPTION OF POTENTIAL SITES FOR NEW GENERATING FACILITIES.....	46
4.2 DESCRIPTION OF PREFERRED SITES FOR NEW GENERATING FACILITIES.....	46
4.2.1 Land Use and Environmental Features	46
4.2.2 Air Emissions.....	47
Deerhaven Generating Site Location Map	48

INTRODUCTION

The 2018 Ten-Year Site Plan for Gainesville Regional Utilities (GRU) is submitted to the Florida Public Service Commission pursuant to Section 186.801, Florida Statutes. The contents of this report conform to information requirements listed in Form PSC/RAD 043-E, as specified by Rule 25-22.072, Florida Administrative Code. The four sections of the 2018 Ten-Year Site Plan are:

- Description of Existing Facilities
- Forecast of Electric Energy and Demand Requirements
- Forecast of Facilities Requirements
- Environmental and Land Use Information

Gainesville Regional Utilities (GRU) is a municipal electric, natural gas, water, wastewater, and telecommunications utility system, owned and operated by the City of Gainesville, Florida. The GRU retail electric system service area includes the City of Gainesville and the surrounding urban area. The highest net integrated peak demand recorded to date on GRU's electrical system was 481 Megawatts on August 8, 2007.

1. DESCRIPTION OF EXISTING FACILITIES

Gainesville Regional Utilities (GRU) operates a fully vertically-integrated electric power production, transmission, and distribution system (herein referred to as "the System"), and is wholly owned by the City of Gainesville. In addition to retail electric service, GRU also provides wholesale electric service to the Cities of Alachua (Alachua) and Winter Park, and transmission service to Seminole Electric Cooperative (Seminole). GRU's distribution system serves its retail territory of approximately 124 square miles and an average of 97,245 customers during 2017. The general locations of GRU electric facilities and the electric system service area are shown in Figure 1.1.

1.1 GENERATION

The existing generating facilities operated by GRU are tabulated in Schedule 1 at the end of this section. The present Summer Net Continuous Capacity is 630.4 MW and the Winter Net Continuous Capacity is 659.4 MW. Currently, the System's energy is produced by three fossil fuel steam turbines¹, one of which is part of a combined cycle unit; a biomass steam turbine; five combustion turbines, three of which are simple cycle, one which can generate in either simple or combined cycle mode, and one which provides distributed generation; and an internal combustion engine which also provides distributed generation.

The System has three primary generating plant sites: Deerhaven (DH), Deerhaven Renewable (DHR), and John R. Kelly (JRK). These sites are shown on Figure 1.

1 One steam turbine, JRK steam turbine (ST) 8, operates only in combined cycle with JRK combustion turbine (CT) 4. As CT4 is fossil fueled, the steam created by the heat recovery steam generator (HRSG) into which it exhausts when in combined cycle mode is produced by fossil fuel. Therefore ST8 is indirectly driven by fossil fuel. No capability exists to directly burn fossil fuel to produce steam for ST8.

1.1.1 Generating Units²

1.1.1.1 Simple Cycle Steam and Combined Cycle Units. The System's two simple cycle steam turbines and one combined cycle steam turbine are powered by fossil fuels³. The System also consists of a biomass simple cycle steam turbine. The two simple cycle fossil-fueled steam turbines comprise 48% of the System's Net Summer Continuous Capacity and produced 55% of the electric energy supplied by the System in 2017. The combined cycle unit, which includes a heat recovery steam generator (HRSG), steam turbine/generator, and combustion turbine/generator, comprise 17.1% of the System's Net Summer Continuous Capacity and produced 42% of the electric energy supplied by the System in 2017. DH 2 (228 MW) and JRK CC1 (108 MW) have historically been used for base load purposes, while DH 1 (75 MW) was more commonly used for intermediate loading. The addition of 102.5 MW of biomass power by purchased power agreement (PPA) in 2013 resulted in seasonal operation and increased load cycling of DH 2. It also resulted in increased off/on cycling of JRK CC1 and reduced capacity factor of DH 1. With the purchase of the biomass facility in November 2017, the role of the biomass unit and the other units is being reviewed.

1.1.1.2 Simple Cycle Combustion Gas Turbines. The System's four industrial combustion turbines that operate only in simple cycle comprise 17.4% of the System's Summer Net generating capacity and produced approximately 2% of the electric energy supplied by the System in 2017. Three of these simple cycle combustion turbines are utilized for peaking purposes only as their energy conversion efficiencies are considerably lower than steam or combined cycle units. Simple cycle combustion turbines are advantageous in that they can be started and

2 All MW ratings are Summer Net continuous capacity unless otherwise stated.

3 One steam turbine, JRK steam turbine (ST) 8, operates only in combined cycle with JRK combustion turbine (CT) 4. As CT4 is fossil fueled, the steam created by the heat recovery steam generator (HRSG) into which it exhausts when in combined cycle mode is produced by fossil fuel. Therefore ST8 is indirectly driven by fossil fuel. No capability exists to directly burn fossil fuel to produce steam for ST8.

placed online quickly. The fourth combustion turbine operates to serve base load as part of a combined heat and power facility at the South Energy Center, further described in Section 1.5. The combustion turbine mentioned in 1.1.1.1 that is used majority of the time in combined cycle can be operated in simple cycle to provide for peaking power.

1.1.1.3 Reciprocating Internal Combustion Engine. The System's began operation of a 7.4 MW natural gas-fired internal combustion engine in December 2017 at the South Energy Center. The engine is used in a combined heat and power application, where the engine's waste heat is captured to make steam and hot water for an academic medical campus.

1.1.1.4 Environmental Considerations. The System's steam turbines utilize recirculating cooling towers with a mechanical draft for the cooling of condensed steam. DH 2 has an Air Quality Control System (AQCS) consisting of a "hot-side" electrostatic precipitator for the removal of fly ash, a selective catalytic reduction system (SCR) to reduce NO_x, a dry recirculating flue gas desulfurization unit to reduce acid gases, sulfur dioxide (SO₂) and mercury (Hg), and a fabric filter baghouse to reduce particulates. The Deerhaven site operates with zero liquid discharge (ZLD) to surface waters.

1.1.2 Generating Plant Sites

The locations of the System's generating plant sites are shown on Figure 1.1.

1.1.2.1 John R. Kelly Plant. The Kelly Station is located in southeast Gainesville near the downtown business district, and consists of one combined cycle unit and the associated cooling facilities, fuel storage, pumping equipment, transmission and distribution equipment.

1.1.2.2 Deerhaven Plant. The Deerhaven Station is located six miles northwest of Gainesville. The facility consists of two steam turbines, three gas turbines, and the associated cooling facilities, fuel storage, pumping equipment and transmission equipment. DH 2 is coal-fired and the site includes the coal unloading and storage facilities.

1.1.2.3 Deerhaven Renewable Plant. The Deerhaven Renewable biomass-fueled generation facility is located northwest of the Deerhaven Generating Station. GRU purchased this 102.5 MW generating unit in November 2017. The facility consists of one steam turbine, the associated cooling facilities, and biomass unloading and storage facilities.

1.2 TRANSMISSION

1.2.1 The Transmission Network

GRU's bulk electric power transmission network (System) consists of a 230 kV radial and a 138 kV loop connecting the following:

- 1) GRU's three primary generating stations,
- 2) GRU's ten distribution substations,
- 3) One 230 kV and two 138 kV interties with Duke Energy Florida (DEF),
- 4) A 138 kV intertie with Florida Power and Light Company (FPL),
- 5) A radial interconnection with Clay at Farnsworth Substation, and
- 6) A loop-fed interconnection with the City of Alachua at Alachua No. 1 Substation.

Refer to Figure 1.1 for line geographical locations and Figure 1.2 for electrical connectivity and line numbers.

1.2.2 Transmission Lines

The ratings for all of GRU's transmission lines are given in Table 1.1, and Figure 1.2 shows a one-line diagram of GRU's electric system. The criteria for normal and emergency loading are:

- Normal loading: conductor temperature not to exceed 100° C (212° F).
- Emergency 8 hour loading: conductor temperature not to exceed 125° C (257°F).

The present transmission network consists of the following:

<u>Line</u>	<u>Circuit Miles</u>	<u>Conductor</u>
138 kV double circuit	80.08	795 MCM ACSR 26/7
138 kV single circuit	16.86	1192 MCM ACSR 45/7
138 kV single circuit	20.61	795 MCM ACSR 26/7
230 kV single circuit	<u>2.53</u>	795 MCM ACSR 26/7
Total	120.08	

GRU participates in Florida Reliability Coordinating Council, Inc. (FRCC) studies that analyze multi-level contingencies. Contingencies are occurrences that depend on changes or uncertain conditions and, as used here, represent various equipment failures that may occur.

1.2.3 State Interconnections

The System is currently interconnected with DEF and FPL at four separate points. The System interconnects with DEF's Archer Substation via a 230 kV transmission line to the System's Parker Road Substation with 224 MVA of transformation capacity from 230 kV to 138 kV. The addition of a third 112 MVA transformer at the Parker Substation is planned, and is expected to be in service by December 2018. The System also interconnects with DEF's Idylwild Substation with two separate circuits via their 168 MVA 138/69 kV transformer. The System interconnects with FPL via a 138 kV tie between FPL's Hampton Substation and the System's Deerhaven Substation. This interconnection has a transformation capacity

at Bradford Substation of 224 MVA. All listed capacities are based on normal (Rating A) capacities.

The System is planned, operated, and maintained to be in compliance with all FERC, NERC, and FRCC requirements to assure the integrity and reliability of Florida's Bulk Electric System (BES).

1.3 DISTRIBUTION

The System has seven loop-fed and three radial distribution substations connected to the transmission network: Ft. Clarke, Kelly, McMichen, Millhopper, Serenola, Springhill, Sugarfoot, Ironwood, Kanapaha, and Rocky Point substations, respectively. Parker Road is GRU's only 230 kV transmission voltage substation. The locations of these substations are shown on Figure 1.1.

The seven loop-fed distribution substations are connected to the 138 kV bulk power transmission network with feeds that prevent the outage of a single transmission line from causing any outages in the distribution system. Ironwood, Kanapaha and Rocky Point are served by a single tap to the 138 kV network which would require distribution switching to restore customer power if the single transmission line tapped experienced an outage. GRU serves its retail customers through a 12.47 kV distribution network. The distribution substations, their present rated transformer capabilities, and the number of circuits for each are listed in Table 1.2. The System has three Power Delivery Substations (PDS) with single 33.6 MVA transformers that are directly radial-tapped to the looped 138 kV system. The Springhill Substation consists of one 33.3 MVA transformer served by a loop-fed SEECO pole-mounted switch. Ft. Clarke, Kelly, McMichen, and Serenola substations currently consist of two transformers of nearly equal size, allowing these stations to be loaded under normal conditions to 80 percent of the capabilities shown in Table 1.2. Millhopper and Sugarfoot Substations currently consist of three transformers of equal size allowing both of these substations to be loaded under normal conditions to 100 percent of the capability shown in Table 1.2. One of the two

22.4 MVA transformers at Ft. Clarke has been repaired with rewinding to a 28.0 MVA rating. This makes the normal rating for this substation 50.4 MVA.

1.4 WHOLESALE ENERGY

The System provides full-requirements wholesale electric service to the City of Alachua. The Alachua No. 1 Substation is supplied by GRU's looped 138 kV transmission system. The System provides approximately 98% of Alachua's energy requirements with the remainder being supplied by Alachua's generation entitlements from FPL's St. Lucie 2 nuclear unit. Energy supplied to the City of Alachua by this nuclear unit is wheeled over GRU's transmission network, with GRU providing generation backup in the event of an outages of this nuclear unit. The System began serving the City of Alachua in July 1985 and has provided full-requirements wholesale electric service since January 1988. An agreement was made in 2016 to extend GRU's service to the City of Alachua until March 2022. Wholesale sales to the City of Alachua have been included as native load for purposes of projecting GRU's needs for generating capacity and associated reserve margins through this planning horizon.

The System also provides wholesale power to the City of Winter Park. Through this agreement, GRU provides up to 10 MW of energy around-the-clock to the City of Winter Park through 2018. This energy is delivered through via Duke Energy's transmission system.

1.5 DISTRIBUTED GENERATION

The South Energy Center (SEC), a combined heat and power plant (CHP), began providing services to the UF Health Shands Cancer Hospital in February 2009. The SEC houses a 3.5 MW natural gas-fired turbine and a 7.4 MW natural gas-fired reciprocating internal combustion engine which are capable of supplying 100% of the hospital's electric and thermal needs. The SEC provides electricity,

chilled water, steam, heating hot water, and the storage and delivery of medical gases to the hospital. The unique design is at least 75% efficient at primary fuel conversion to useful energy and greatly reduces emissions compared to traditional generation. The facility is designed to provide electric power into the GRU distribution system when its capacity is not totally utilized by the hospital.

Figure 1.1

Gainesville Regional Utilities Electric Facilities

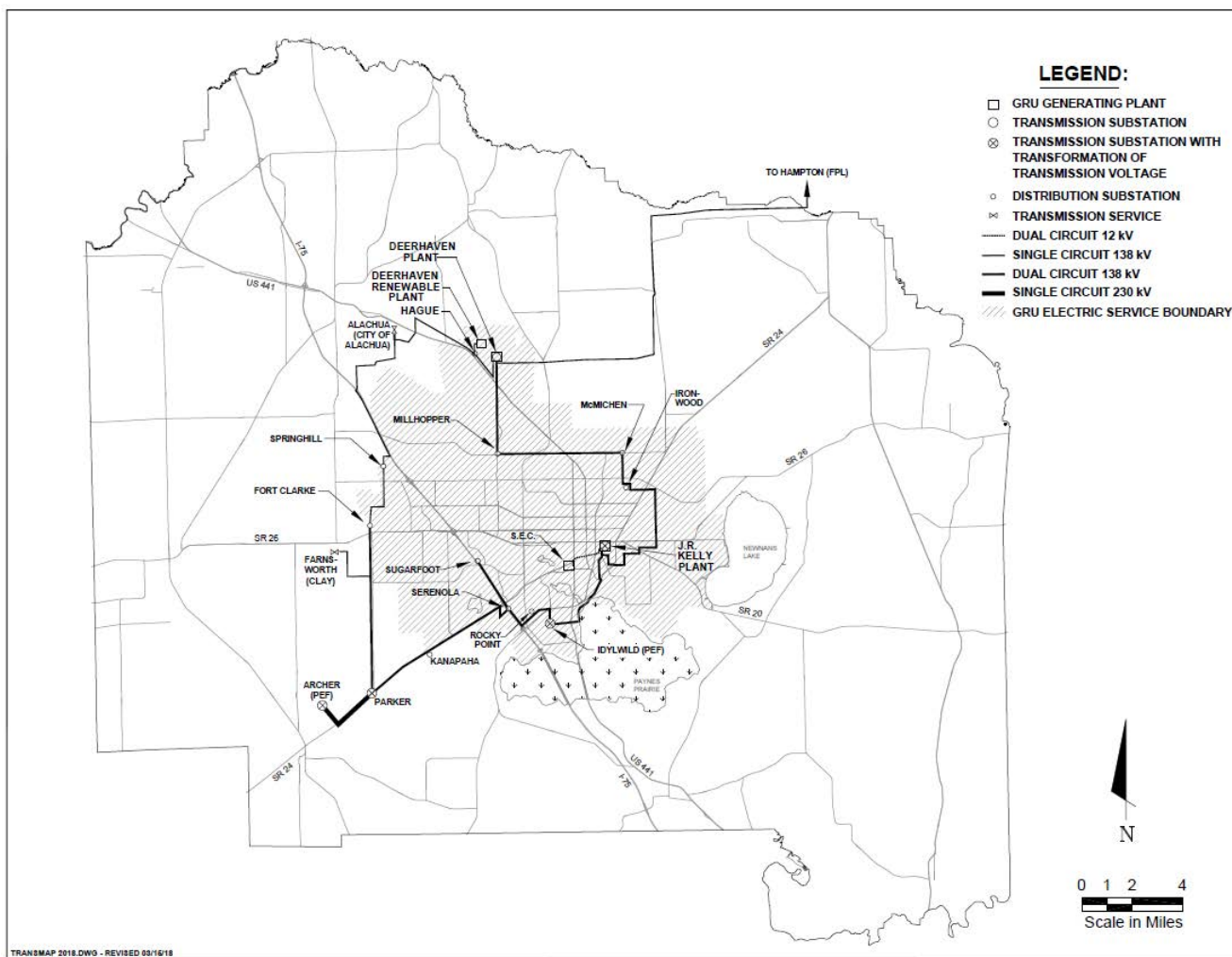
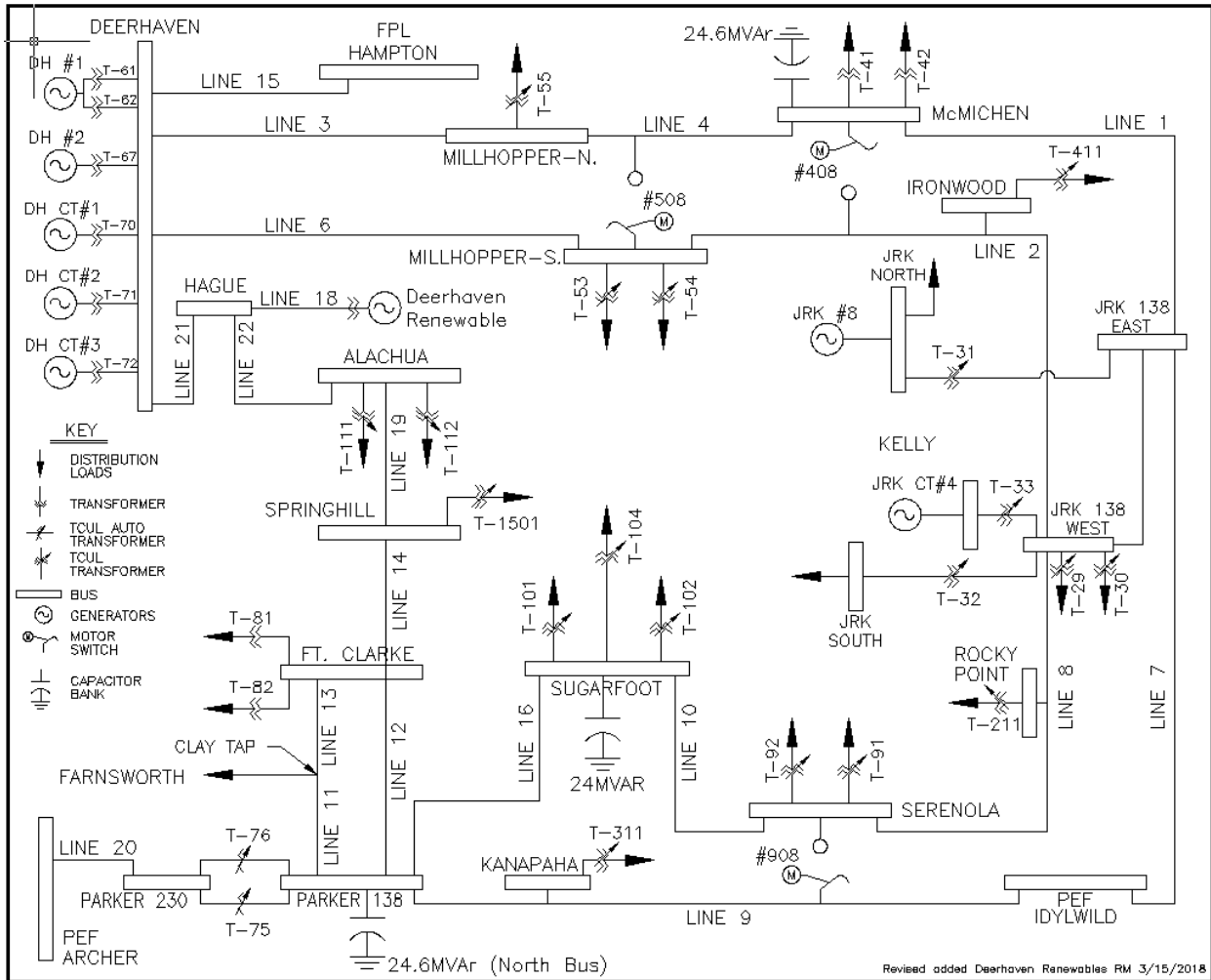


Figure 1.2
Gainesville Regional Utilities Electric System One-Line Diagram



Schedule 1
EXISTING GENERATING FACILITIES (as of January 1, 2018)

(1)	(2)	(3)	(4)	(5)	(6)	(7)	(8)	(9)	(10)	(11)	(12)	(13)	(14)	(15)	(16)
Plant Name	Unit No.	Location	Unit Type	Primary Fuel		Alternate Fuel		Storage (Days)	Commercial In-Service Month/Year	Expected Retirement Month/Year	Gross Capability		Net Capability		Status
				Type	Trans.	Type	Trans.				Summer MW	Winter MW	Summer MW	Winter MW	
J. R. Kelly		Alachua County									110.0	120.0	108.0	118.0	
	FS08	Sec. 4, T10S, R20E	CA	WH	PL	DFO	TK		[4/65 ; 5/01]	2035	37.5	38.0	36.0	37.0	OP
	GT04	(GRU)	CT	NG	PL	DFO	TK		5/01	2051	72.5	82.0	72.0	81.0	OP
Deerhaven		Alachua County									438.5	459.0	409.0	428.0	
	FS02	Secs. 26,27,35	ST	BIT	RR				10/81	2031	251.0	251.0	228.0	228.0	OP
	FS01	T8S, R19E	ST	NG	PL	RFO	TK		8/72	2022	80.0	80.0	75.0	75.0	OP
	GT03	(GRU)	GT	NG	PL	DFO	TK		1/96	2046	71.5	82.0	71.0	81.0	OP
	GT02		GT	NG	PL	DFO	TK		8/76	2026	18.0	23.0	17.5	22.0	OP
	GT01		GT	NG	PL	DFO	TK		7/76	2026	18.0	23.0	17.5	22.0	OP
South Energy Center		Alachua County									12.3	12.3	10.9	10.9	
	GT01 (*)	Sec. 10, T10S, R20E	GT	NG	PL				5/09	2039	4.5	4.5	3.5	3.5	OP
	IC02 (*)	(GRU)	IC	NG	PL				12/17	2047	7.8	7.8	7.4	7.4	OP
Deerhaven Renewable		Alachua County													
	FS01	Sec. 26, T08, R19 (GRU)	ST	WDS	TK				12/13	2043	116.0	116.0	102.5	102.5	OP
System Total													630.4	659.4	

<u>Unit Type</u>	<u>Fuel Type</u>	<u>Transportation Method</u>	<u>Status</u>
CA = Combined Cycle - Steam Part	BIT = Bituminous Coal	PL = Pipe Line	OP = Operational
CT = Combined Cycle - CT Part	DFO = Distillate Fuel Oil	RR = Railroad	
GT = Gas Turbine	NG = Natural Gas	TK = Truck	
ST = Steam Turbine	RFO = Residual Fuel Oil		
IC = Internal Combustion Engine	WH = Waste Heat		
	WDS = Wood Waste Solids		

Table 1.1

**TRANSMISSION LINE RATINGS
SUMMER POWER FLOW LIMITS**

Line Number	Description	Normal 100°C (MVA)	Limiting Device	Emergency 125°C (MVA)	Limiting Device
1	McMichen - Depot East	236.2	Conductor	282.0	Conductor
2	Millhopper- Depot West	236.2	Conductor	282.0	Conductor
3	Deerhaven - McMichen	236.2	Conductor	282.0	Conductor
6	Deerhaven - Millhopper	236.2	Conductor	282.0	Conductor
7	Depot East - Idylwild	236.2	Conductor	282.0	Conductor
8	Depot West - Serenola	236.2	Conductor	282.0	Conductor
9	Idylwild - Parker	236.2	Conductor	236.2	Conductor
10	Serenola - Sugarfoot	236.2	Conductor	282.0	Conductor
11	Parker - Clay Tap	143.6	Conductor	282.0	Conductor
12	Parker - Ft. Clarke	236.2	Conductor	282.0	Conductor
13	Clay Tap - Ft. Clarke	143.6	Conductor	186.0	Conductor
14	Ft. Clarke - Springhill	287.3	Switch	356.0	Conductor
15	Deerhaven - Hampton	224.0 ¹	Transformers	270.0	Transformers
16	Sugarfoot - Parker	236.2	Conductor	282.0	Conductor
17	Clay Tap – Farnsworth	236.2	Conductor	282.0	Conductor
19	Springhill - Alachua	300.0	Conductor	356.0	Conductor
20	Parker-Archer(T75,T76)	224.0	Transformers ³	300.0	Transformers ³
21	Deerhaven – GREC	287.3	Switch	356.0	Conductor
22	Alachua - Deerhaven	300.0	Conductor	356.0	Conductor
xx	Idylwild – PEF	168.0 ²	Transformer	168.0 ²	Transformer

- 1) These two transformers are located at the FPL Bradford Substation and are the limiting elements in the Normal and Emergency ratings for this intertie.
- 2) This transformer, along with the entire Idylwild Substation, is owned and maintained by PEF.
- 3) Transformers T75 & T76 normal limits are based on a 65° C temperature rise rating, and the emergency rating is 140% loading for two hours.

Assumptions:

- 100 °C for normal conductor operation
- 125 °C for emergency 8 hour conductor operation
- 40 °C ambient air temperature
- 2 ft/sec wind speed

Table 1.2

SUBSTATION TRANSFORMATION AND CIRCUITS

Distribution Substation	Normal Transformer Rated Capability	Current Number of Circuits
Ft. Clarke	50.4 MVA	4
J.R. Kelly ⁴	201.6 MVA	22
McMichen	44.8 MVA	6
Millhopper	100.8 MVA	10
Serenola	67.2 MVA	8
Springhill	33.3 MVA	2
Sugarfoot	100.8 MVA	9
Ironwood	33.6 MVA	3
Kanapaha	33.6 MVA	3
Rocky Point	33.6 MVA	3

Transmission Substation	Normal Transformer Rated Capability	Number of Circuits
Parker	224 MVA	5
Deerhaven	No transformations- All 138 kV circuits	4

4 J.R. Kelly is a generating station as well as a distribution substation.

2. FORECAST OF ELECTRIC ENERGY AND DEMAND REQUIREMENTS

Section 2 includes documentation of GRU's forecast of number of customers, energy sales and seasonal peak demands; a forecast of energy sources and fuel requirements; and an overview of GRU's involvement in demand-side management programs.

The accompanying tables provide historical and forecast information for calendar years 2008-2027. Energy sales and number of customers are tabulated in Schedules 2.1, 2.2, and 2.3. Schedule 3.1 gives summer peak demand for the base case forecast by reporting category. Schedule 3.2 presents winter peak demand for the base case forecast by reporting category. Schedule 3.3 presents net energy for load for the base case forecast by reporting category. Short-term monthly load data is presented in Schedule 4. Projected sources of energy for the System, by method of generation, are shown in Schedule 6.1. The percentage breakdowns of energy sources shown in Schedule 6.1 are given in Schedule 6.2. The quantities of fuel expected to be used to generate the energy requirements shown in Schedule 6.1 are given by fuel type in Schedule 5.

2.1 FORECAST ASSUMPTIONS AND DATA SOURCES

- (1) All regression analyses were based on annual data. Historical data was compiled for calendar years 1970 through 2017. System data, such as net energy for load, seasonal peak demands, customer counts and energy sales, was obtained from GRU records and sources.
- (2) Estimates and projections of Alachua County population were based on population data published by The Bureau of Economic and Business Research at the University of Florida. Population projections used in GRU's forecast were based on the average of projections from BEBR Bulletins 171, 174, 177 and 180, and Florida Estimates of Population 2017 .
- (3) Historical weather data was used to fit regression models. The forecast assumes normal weather conditions. Normal heating degree days and

cooling degree days equal the mean of data reported to NOAA by the Gainesville Municipal Airport station from 1984-2017.

- (4) All income and price figures were adjusted for inflation, and indexed to a base year of 2017, using the U.S. Consumer Price Index for All Urban Consumers from the U.S. Department of Labor, Bureau of Labor Statistics. Inflation is assumed to average approximately 2.25% per year for each year of the forecast.
- (5) The U.S. Department of Commerce, Bureau of Economic Analysis, provided historical estimates of total personal income. Forecast values of total personal income were obtained from IHS Global Insight.
- (6) Historical estimates of household size were obtained from BEBR Bulletin 179 (December 2017), and projections were estimated from a logarithmic trend analysis of historical estimates.
- (7) The U.S. Department of Labor, Bureau of Labor Statistics, provided historical estimates of non-farm employment. Forecast values of non-farm employment were obtained from IHS Global Insight.
- (8) Retail electric prices for each billing rate category were assumed to increase at a nominal rate of approximately 2.5% per year. Prices are expressed in dollars per 1,000 kWh.
- (9) Estimates of energy and demand reductions resulting from planned demand-side management programs (DSM) were subtracted from all retail forecasts. GRU has been involved in formal conservation efforts since 1980. The forecast reduces energy sales and seasonal demands by the projected conservation impacts, net of cumulative impacts from 1980-2017. GRU's involvement with DSM is described in more detail later in this section.
- (10) Sales to The City of Alachua were assumed to continue through the duration of this forecast. The agreement to serve Alachua is in effect through March 2022. Alachua's ownership of FPL nuclear capacity supplied approximately 2.4% of its annual energy requirements in 2017.
- (11) GRU will supply 10 MW of base load energy to the City of Winter Park from 2015 through 2018.

2.2 FORECASTS OF NUMBER OF CUSTOMERS, ENERGY SALES AND SEASONAL PEAK DEMANDS

Number of customers, energy sales and seasonal peak demands were forecast from 2018 through 2027. Separate energy sales forecasts were developed for each of the following customer segments: residential, general service non-demand, general service demand, large power, outdoor lighting, sales to the City of Alachua, and sales to the City of Winter Park. Separate forecasts of number of customers were developed for residential, general service non-demand, general service demand and large power retail rate classifications. The basis for these independent forecasts originated with the development of least-squares regression models. All modeling was performed in-house using the Statistical Analysis System (SAS)⁵. The following text describes the regression equations utilized to forecast energy sales and number of customers.

2.2.1 Residential Sector

The equation of the model developed to project residential average annual energy use (kilowatt-hours per year) specifies average use as a function of residential price of electricity and heating degree days. The form of this equation is as follows:

$$RESAVUSE = 15529 - 49.96 (RESPR17) + 1.285 (HDD)$$

Where:

RESAVUSE = Average Annual Residential Energy Use per Customer

RESPR17 = Residential Price, Dollars per 1000 kWh

HDD = Annual Heating Degree Days

⁵ SAS is the registered trademark of SAS Institute, Inc., Cary, NC.

Adjusted R² = 0.8222
 DF (error) = 22 (period of study, 1993-2017)
 t - statistics:
 Intercept = 20.75
 RESPR17 = -9.81
 HDD = 4.04

Projections of the average annual number of residential customers were developed from a linear regression model stating the number of customers as a function of Alachua County population and the number of persons per household. The residential customer model specifications are:

$$RESCUS = 190556 + 313.7 (POP) - 80160 (HHSIZE)$$

Where:

RESCUS = Number of Residential Customers
 POP = Alachua County Population (thousands)
 HHSIZE = Number of Persons per Household
 Adjusted R² = 0.9896
 DF (error) = 22 (period of study, 1993-2017)
 t - statistics:
 Intercept = 1.70
 POP = 7.32
 HHSIZE = -1.82

The product of forecasted values of average use and number of customers yielded the projected energy sales for the residential sector.

2.2.2 General Service Non-Demand Sector

The general service non-demand (GSN) customer class includes non-residential customers with maximum billing demands less than 50 kilowatts (kW). In 1990, GRU began offering GSN customers the option to elect the General Service Demand (GSD) rate classification. This option offers potential benefit to GSN customers that use high amounts of energy relative to their billing demands. As a result, a significant proportion of current GSD customers have voluntarily elected this rate category. The forecast assumes that additional GSN customers will opt into the GSD classification, but at a more modest pace than has been observed historically. A regression model was developed to project average annual energy use by GSN customers. The model includes as independent variables, the cumulative number of optional demand customers, per capita income, and cooling degree days. The specifications of this model are as follows:

$$GSNAVUSE = 14.39 - 0.020 (OPTDCUS) + 0.00028 (MSAPCY17) + 0.00175 (CDD)$$

Where:

GSNAVUSE = Average Annual Energy Usage per GSN Customer

OPTDCUS = Optional GSD Customers

MSAPCY17 = Per Capita Income

CDD = Annual Cooling Degree Days

Adjusted R² = 0.9678

DF (error) = 21 (period of study, 1993-2017)

t - statistics:

Intercept	=	3.82
OPTDCUS	=	-13.85
MSAPCY17	=	2.96
CDD	=	2.58

The number of general service non-demand customers was projected using an equation specifying customers as a function of Alachua County population and the addition of a group of individually metered cable amplifiers that were previously bulk metered. The specifications of the general service non-demand customer model are as follows:

$$GSNCUS = -2442 + 45.9 (POP) + 0.74 (COXTRAN)$$

Where:

GSNCUS	=	Number of General Service Non-Demand Customers
POP	=	Alachua County Population (thousands)
COXTRAN	=	Cable TV Meters

$$\text{Adjusted } R^2 = 0.9934$$

$$\text{DF (error)} = 22 \text{ (period of study, 1993-2017)}$$

t - statistics:

Intercept	=	-7.90
POP	=	32.09

$$\text{COXTRAN} = 4.90$$

Forecasted energy sales to general service non-demand customers were derived from the product of projected number of customers and the projected average annual use per customer.

2.2.3 General Service Demand Sector

The general service demand customer class includes non-residential customers with average billing demands generally of at least 50 kW but less than 1,000 kW. Average annual energy use per customer was projected using an equation specifying average use as a function of the cumulative number of optional demand customers, non-farm employment, cooling degree days, and an indicator variable representing a change in eligibility criteria for the large power rate category. Average energy use projections for general service demand customers result from the following model:

$$\begin{aligned} \text{GSDAVUSE} = & 382.9 - 0.24 (\text{OPTDCUS}) + 0.87 (\text{MSA_NF}) \\ & + 0.030 (\text{CDD}) + 39.4 (\text{POLICY}) \end{aligned}$$

Where:

GSDAVUSE = Average Annual Energy Use by GSD Customers

OPTDCUS = Optional GSD Customers

MSA_NF = Non-Farm Employment

CDD = Cooling Degree Days

POLICY = Eligibility Indicator Variable

Adjusted R² = 0.9291

DF (error) = 20 (period of study, 1993-2017)

t - statistics:

Intercept = 8.15

OPTDCUS = -12.36

MSA_NF = 2.68

CDD = 3.18

POLICY = 6.53

The annual average number of customers was projected using a regression model that includes Alachua County population. The specifications of the general service demand customer model are as follows:

$$GSDCUS = -1112 + 9.38 (POP)$$

Where:

GSDCUS = Number of General Service Demand Customers

POP = Alachua County Population (thousands)

Adjusted R^2 = 0.9563

DF (error) = 23 (period of study, 1993-2017)

t - statistics:

Intercept = -11.89

POP = 22.95

The forecast of energy sales to general service demand customers was the resultant product of projected number of customers and projected average annual use per customer.

2.2.4 Large Power Sector

The large power customer class currently includes twelve customers that maintain an average monthly billing demand of at least 1,000 kW. The forecast of large power energy sales was developed via analysis of each individual account. Recent historical energy sales were examined for the presence of any trends in usage patterns. For two of the twelve customers, estimated impacts of known expansions were incorporated into their projected sales. With the exception of these two customer expansions, the forecast of sales to large power customers is held constant through the forecast horizon.

The number of customers in the large power sector is expected to remain constant at 12 customers. Future forecasts will incorporate known, specific changes within this sector when and if they are identified.

2.2.5 Outdoor Lighting Sector

The outdoor lighting sector consists of streetlight, traffic light, and rental light accounts. Outdoor lighting energy sales account for approximately 1.3% of total energy sales. Outdoor lighting energy sales were held constant at current levels in this forecast.

2.2.6 Wholesale Energy Sales

The System provides full requirements wholesale electric service to the City of Alachua. Approximately 2.4% of Alachua's 2017 energy requirements were met through generation entitlements of nuclear generating units operated by FPL. The agreement to provide wholesale power to Alachua is in effect through March 2022. Energy sales to the City of Alachua are considered part of the System's native load for facilities planning through the forecast horizon.

Energy Sales to Alachua were estimated using a model including Alachua County population, heating degree days, and cooling degree days as the independent variables. The model used to develop projections of sales to the City of Alachua is of the following form:

$$ALAMWh = -262910 + 1386 (POP) + 12.0 (HDD) + 8.7 (CDD)$$

Where:

ALAMWh = Energy Sales to the City of Alachua (MWh)

POP = Alachua County Population (000's)

HDD = Heating Degree Days

CDD = Cooling Degree Days

Adjusted R^2 = 0.9804

DF (error) = 20 (period of study, 1994-2017)

t - statistics:

Intercept	=	-15.9
POP	=	32.1
HDD	=	3.03
CDD	=	1.82

GRU is also selling base load energy to the City of Winter Park from 2015 through 2018. The agreement calls for Winter Park to purchase 10 MW for all but 500 hours each year, when they may purchase as little as 5 MW.

2.2.7 Total System Sales, Net Energy for Load, Seasonal Peak Demands and Conservation Impacts

The forecast of total system energy sales was derived by summing energy sales projections for each customer class; residential, general service non-demand, general service demand, large power, outdoor lighting, and sales for resale. Net energy for load (NEL) was then forecast by applying a delivered efficiency factor for the System to total energy sales. The projected delivered efficiency factor used in this forecast is 0.9750. Historical delivered efficiencies were examined from the past 25 years to make this determination. The impact of energy savings from conservation programs was accounted for in energy sales to each customer class, prior to calculating NEL.

The forecasts of seasonal peak demands were derived from forecasts of annual NEL. Winter peak demands are expected to occur in January of each year, and summer peak demands are expected to occur in August. The average ratio of the most recent 25 years' monthly NEL for January and August, as a portion of annual NEL, was applied to projected annual NEL to obtain estimates of January and August NEL over the forecast horizon. The medians of the past 25 years' load factors for January and August were applied to January and August NEL projections, yielding seasonal peak demand projections. Forecast seasonal peak demands include the net impacts from planned conservation programs.

2.3 ENERGY SOURCES AND FUEL REQUIREMENTS

2.3.1 Fuels Used by System

Presently, the System is capable of using coal, woody biomass, natural gas, residual oil, and distillate oil to satisfy its fuel requirements. Since the completion of the Deerhaven 2 coal-fired unit, the System has relied upon coal to fulfill much of its fuel requirements. However, with lower natural gas prices, and subsequent fuel switching, natural gas has become the largest portion of generation fuel. Because the System participates in interchange sales and purchases, and because fuel prices constantly change, actual consumption of these fuels will likely differ from the base case requirements indicated in Schedule 5.

2.3.2 Purchased Power Agreements

2.3.2.1 G2 Energy Baseline Landfill Gas. GRU entered a 15-year contract with G2 Energy Marion, LLC and began receiving 3 MW of landfill gas fueled capacity in January 2009. G2 completed a capacity expansion of 0.8 MW in May 2010, bringing net output to 3.8 MW. G2 is located within DEF's distribution system, and GRU receives approximately 3.7 MW net of distribution and transmission losses.

2.3.2.2 Solar Feed-In Tariff. In March of 2009, GRU became the first utility in the United States to offer a European-style solar feed-in tariff (FIT). Under this program, GRU agrees to purchase 100% of the solar power produced from any qualified private generator at a fixed rate for a contract term of 20 years. GRU's FIT costs are recovered through fuel adjustment charges, and have been limited to 4 MW of installed capacity per year. Through the end of 2013, approximately 18.6 MW were constructed under the Solar FIT program. The program was originally scheduled to add capacity through 2016, although no additions were allocated after 2013.

2.4 DEMAND-SIDE MANAGEMENT

2.4.1 Demand-Side Management Programs

Demand and energy forecasts outlined in this Ten-Year Site Plan include impacts from GRU's Demand-Side Management (DSM) programs. The System forecast reflects the incremental impacts of DSM measures, net of cumulative impacts from 1980 through 2017.

During 2014 budget deliberations, GRU management and the Gainesville City Commission agreed to eliminate the majority of programs offering financial incentives in an effort to cut costs and keep prices down for customers. The effectiveness of historical measures is reflected in usage data. Over the past 10 years, residential usage per customer has declined 0.70% per year and non-residential usage per customer has declined 0.81% per year.

DSM direct services currently available to the System's residential customers include energy and water surveys, allowances for whole house energy efficiency improvements under the Low-income Energy Efficiency Program Plus (LEEP^{plus}), and natural gas rebates for new construction and conversions in existing homes for water heating, central heating, clothes drying and cooking appliances. An on-line energy survey is available that allows customers to perform a self-survey using their actual usage data.

Energy and water surveys are available at no cost to the System's non-residential customers. Rebates for natural gas water heating are also available to GRU's non-residential customers.

The System continues to offer standardized interconnection procedures and net meter billing for both residential and non-residential customers who install photovoltaic solar systems on their homes or businesses.

GRU has also produced numerous factsheets, publications, and videos which are available at no charge to customers and which assist them in making informed decisions affecting their consumption.

2.4.2 Demand-Side Management Methodology and Results

Energy and demand savings resulting from DSM program implementation have been estimated using a combination of techniques, including engineering calculations, pre and post billing analysis, and measurement and verification for specific measures. Known interactions between measures and programs were accounted for where possible. From 1980 through 2017, GRU estimates that utility-sponsored DSM programs reduced energy sales by 219 GWh and lowered summer peak demand by 43 MW. In the forecast period, DSM related savings are projected to be very small relative to system load due to the scaling back of programs in this and future years' budgets.

2.4.3 Supply Side Programs

The System has undertaken several initiatives to improve the adequacy and reliability of the transmission and distribution systems. GRU purchases overhead and underground transformers that exceed the efficiency specified by the NEMA TP-1 Standard. GRU has improved the feeder system by reconductoring feeders from 4/0 Copper to 795 MCM aluminum overhead conductor. In specific areas the feeders have been installed underground using 1000 MCM underground cable. GRU adds capacitors on its distribution feeders where necessary to support a high system-wide power factor. Starting in 2012 to present day, GRU has conducted a Cable Restoration Project, where direct-buried underground primary cables installed prior

to 1980 are injected with a solution that restores the insulation of the cable and extends the cable's useful life. Efforts have been made to increase segmentation of feeders by adding more fusing stages, which reduces the number of customers behind any one device. This reduces the number of customers affected by any one outaged device. Efforts in distribution automation have included adding reclosers and automated switches, which decreases outage times by enabling GRU's system operators to remotely switch customers to adjacent feeders when outages occur.

2.5 FUEL PRICE FORECAST ASSUMPTIONS

GRU relies on coal and natural gas as primary fuels used to meet its generation needs. The System now also includes woody biomass as a major fuel source. Both heavy and light fuel oils are used as backup for natural gas-fired generation, although in practice they are seldom used. Since the operation of CR3 was discontinued, nuclear fuel is no longer part of the System's fuel mix. GRU consults a number of reputable sources such as EIA, PIRA, Argus Coal Daily, Platts Gas Daily, Coaldesk, and the NYMEX futures market when assessing expected future commodity fuel prices. Costs associated with transporting coal and natural gas to GRU's generating stations are specific to arrangements with transportation entities. Coal is transported to GRU by CSX rail, and natural gas is transported over the Florida Gas Transmission Company (FGT) pipeline system.

2.5.1 Coal

Coal was used to generate approximately 28.6% of the energy produced by the system in calendar year 2017. Thus far, GRU has purchased low sulfur and medium sulfur, high Btu eastern coal for use in Deerhaven Unit 2. In 2009, Deerhaven Unit 2 was retrofitted with an air quality control system, which was added as a means of complying with new environmental regulations. Following this retrofit, Deerhaven Unit 2 is able to utilize coals with up to approximately 2.9% sulfur content. Given the impact of impending environmental regulations on coal

generating units, reduced demand, and depressed prompt prices for Central Appalachian (CAPP) coal, GRU has continued to purchase relatively high quality Eastern coals. Rates available under GRU's rail transport contract also provide an incentive for GRU to purchase and transport its coal supplies on the East Coast. The forecast of coal prices is based on a blend of low sulfur and medium sulfur CAPP coal. GRU's forecast of coal pricing assumes that 2018 and 2019 coal procurement will primarily consist of high quality CAPP coals. GRU does not expect the favorable economics of rail transported CAPP coal to be diminished in the near term. Although not included in its forecast pricing, GRU continues to evaluate the economics of Illinois Basin and Northern Appalachian (NAPP) coal supply. Pricing of these coals was sourced from Argus Coal Daily and CoalDesk publications. GRU has a contract with CSXT for delivery of coal to the Deerhaven plant site through 2019. Rates for coal transportation are based on the terms of GRU's existing rail contract and historical rates of escalation under the contract. A step increase in the delivered coal price is expected in 2020 resulting from higher transportation costs.

In addition to the commodity price of coal and rail transport expense, GRU's delivered price of coal also incorporates the cost of environmental commodities (pebble lime and urea) required for combustion of coal in compliance with environmental regulations.

2.5.2 Natural Gas

GRU procures natural gas for power generation and for distribution by its Local Distribution Company (LDC). In 2017, GRU purchased approximately 11.4 million MMBtu for use by both systems. GRU power plants used 83% of the total purchased for GRU during 2017, while the LDC used the remaining 17%. Natural gas was used to produce approximately 64.1% of the energy produced by GRU's electric generating units during calendar year 2016.

GRU purchases natural gas via arrangements with producers and marketers connected with the FGT interstate pipeline. GRU's delivered cost of natural gas includes the commodity component, FGT's fuel charge, FGT's usage (transportation) charge, FGT's reservation (capacity) charge, and basis adjustments. Commodity fuel cost projections were based on closing NYMEX natural gas futures prices for the Henry Hub.

2.5.3 Biomass

On November 7, 2017, GRU purchased a biomass plant from the owners with whom GRU held a 30-year Purchase Power Agreement (PPA). From November 7th, biomass was used to generate approximately 7.2% of the total energy produced by the system in calendar year 2017.

GRU procures woody biomass consisting mainly of forest residue from logging operations and urban wood waste from within a 100-mile radius of the plant. The major portion of biomass fuel is secured by contracts of varying lengths with the remainder purchased on a spot basis to take advantage of opportunity fuel. The forecast of biomass prices is based on contract prices escalated by forecasts of the Producer Price Index for diesel and the Consumer Price Index.

Schedule 2.1
History and Forecast of Energy Consumption and
Number of Customers by Customer Class

(1)	(2)	(3)	(4)	(5)	(6)	(7)	(8)	(9)
Year	Service Area Population	Persons per Household	RESIDENTIAL			COMMERCIAL *		
			GWh	Average Number of Customers	Average kWh per Customer	GWh	Average Number of Customers	Average kWh per Customer
2008	191,198	2.32	820	82,271	9,967	773	10,508	73,563
2009	191,809	2.32	808	82,605	9,781	778	10,428	74,607
2010	190,177	2.32	851	81,973	10,381	780	10,355	75,326
2011	189,771	2.32	805	81,881	9,831	772	10,373	74,424
2012	190,245	2.32	757	82,128	9,217	750	10,415	72,012
2013	191,331	2.32	753	82,638	9,112	757	10,484	72,205
2014	192,573	2.31	773	83,214	9,289	760	10,629	71,502
2015	194,194	2.31	799	83,953	9,517	784	10,663	73,525
2016	195,045	2.31	822	84,358	9,744	784	10,790	72,660
2017	198,988	2.31	806	86,100	9,361	775	11,132	69,619
2018	200,749	2.31	835	86,898	9,609	788	11,260	69,984
2019	202,486	2.31	841	87,684	9,591	794	11,386	69,736
2020	204,197	2.31	846	88,459	9,564	800	11,510	69,504
2021	205,885	2.31	852	89,223	9,549	806	11,633	69,287
2022	207,547	2.31	857	89,976	9,525	812	11,754	69,085
2023	209,185	2.31	862	90,718	9,502	817	11,873	68,812
2024	210,798	2.31	867	91,448	9,481	823	11,990	68,638
2025	212,386	2.30	872	92,168	9,461	828	12,106	68,394
2026	213,949	2.30	877	92,876	9,443	833	12,220	68,164
2027	215,488	2.30	881	93,573	9,415	839	12,333	68,029

* Commercial includes General Service Non-Demand and General Service Demand Rate Classes

Schedule 2.2
History and Forecast of Energy Consumption and
Number of Customers by Customer Class

(1)	(2)	(3)	(4)	(5)	(6)	(7)	(8)
Year	<u>GWh</u>	<u>Average Number of Customers</u>	<u>Average MWh per Customer</u>	<u>Railroads and Railways GWh</u>	<u>Street and Highway Lighting GWh</u>	<u>Other Sales to Public Authorities GWh</u>	<u>Total Sales to Ultimate Consumers GWh</u>
	INDUSTRIAL **						
2008	184	16	11,441	0	26	0	1,803
2009	168	12	13,808	0	26	0	1,780
2010	168	12	13,622	0	25	0	1,824
2011	164	11	14,578	0	29	0	1,770
2012	168	13	13,440	0	25	0	1,700
2013	159	12	13,342	0	25	0	1,694
2014	151	12	12,583	0	25	0	1,709
2015	157	12	12,904	0	25	0	1,765
2016	165	13	12,774	0	25	0	1,796
2017	168	13	12,759	0	25	0	1,774
2018	170	12	14,167	0	25	0	1,818
2019	180	12	15,000	0	25	0	1,840
2020	180	12	15,000	0	25	0	1,851
2021	180	12	15,000	0	25	0	1,863
2022	180	12	15,000	0	25	0	1,874
2023	180	12	15,000	0	25	0	1,884
2024	180	12	15,000	0	25	0	1,895
2025	180	12	15,000	0	25	0	1,905
2026	180	12	15,000	0	25	0	1,915
2027	180	12	15,000	0	25	0	1,925

** Industrial includes Large Power Rate Class

Schedule 2.3
History and Forecast of Energy Consumption and
Number of Customers by Customer Class

(1)	(2)	(3)	(4)	(5)	(6)
<u>Year</u>	Sales For Resale <u>GWh</u>	Utility Use and Losses <u>GWh</u>	Net Energy for Load <u>GWh</u>	Other Customers	Total Number of Customers
2008	196	80	2,079	0	92,795
2009	203	99	2,082	0	93,045
2010	217	98	2,139	0	92,340
2011	201	45	2,016	0	92,265
2012	195	57	1,952	0	92,556
2013	113	46	1,853	0	93,134
2014	121	45	1,875	0	93,855
2015	214	45	2,024	0	94,628
2016	221	37	2,054	0	95,161
2017	220	37	2,031	0	97,245
2018	226	50	2,094	0	98,169
2019	141	52	2,033	0	99,082
2020	144	52	2,047	0	99,981
2021	148	51	2,062	0	100,868
2022	151	51	2,076	0	101,742
2023	154	52	2,090	0	102,603
2024	156	53	2,104	0	103,451
2025	159	54	2,118	0	104,286
2026	162	54	2,131	0	105,108
2027	165	54	2,144	0	105,918

Schedule 3.1
History and Forecast of Summer Peak Demand - MW

(1)	(2)	(3)	(4)	(5)	(6)	(7)	(8)	(9)	(10)
<u>Year</u>	<u>Total</u>	<u>Wholesale</u>	<u>Retail</u>	<u>Interruptible</u>	Residential		Comm./Ind.		<u>Net Firm Demand</u>
					<u>Load Management</u>	<u>Residential Conservation</u>	<u>Load Management</u>	<u>Comm./Ind. Conservation</u>	
2008	487	43	414	0	0	19	0	11	457
2009	498	46	419	0	0	21	0	12	465
2010	505	48	422	0	0	22	0	13	470
2011	484	46	399	0	0	24	0	15	445
2012	456	43	372	0	0	26	0	15	415
2013	459	25	391	0	0	27	0	16	416
2014	452	26	383	0	0	27	0	16	409
2015	454	37	374	0	0	27	0	16	411
2016	461	38	380	0	0	27	0	16	418
2017	451	38	370	0	0	27	0	16	408
2018	474	40	390	0	0	28	0	16	430
2019	479	31	404	0	0	28	0	16	435
2020	482	31	407	0	0	28	0	16	438
2021	486	32	410	0	0	28	0	16	442
2022	489	33	412	0	0	28	0	16	445
2023	492	33	415	0	0	28	0	16	448
2024	495	34	417	0	0	28	0	16	451
2025	498	35	419	0	0	28	0	16	454
2026	500	35	421	0	0	28	0	16	456
2027	503	36	423	0	0	28	0	16	459

Schedule 3.2
History and Forecast of Winter Peak Demand - MW

(1)	(2)	(3)	(4)	(5)	(6)	(7)	(8)	(9)	(10)
<u>Winter</u>	<u>Total</u>	<u>Wholesale</u>	<u>Retail</u>	<u>Interruptible</u>	Residential Load <u>Management</u>	Residential Conservation <u>Management</u>	Comm./Ind. Load <u>Management</u>	Comm./Ind. Conservation <u>Management</u>	<u>Net Firm Demand</u>
2008 / 2009	478	50	371	0	0	46	0	11	421
2009 / 2010	522	55	409	0	0	47	0	11	464
2010 / 2011	470	51	358	0	0	49	0	12	409
2011 / 2012	434	47	324	0	0	50	0	13	371
2012 / 2013	412	22	326	0	0	51	0	13	348
2013 / 2014	412	23	325	0	0	51	0	13	348
2014 / 2015	414	36	314	0	0	51	0	13	350
2015 / 2016	402	35	303	0	0	51	0	13	338
2016 / 2017	387	33	290	0	0	51	0	13	323
2017 / 2018	417	38	314	0	0	52	0	13	352
2018 / 2019	422	29	328	0	0	52	0	13	357
2019 / 2020	424	30	329	0	0	52	0	13	359
2020 / 2021	427	30	332	0	0	52	0	13	362
2021 / 2022	429	31	333	0	0	52	0	13	364
2022 / 2023	431	32	334	0	0	52	0	13	366
2023 / 2024	434	32	337	0	0	52	0	13	369
2024 / 2025	437	33	338	0	0	53	0	13	371
2025 / 2026	439	33	340	0	0	53	0	13	373
2026 / 2027	442	34	342	0	0	53	0	13	376
2027 / 2028	444	34	344	0	0	53	0	13	378

Schedule 3.3
History and Forecast of Net Energy for Load - GWH

(1)	(2)	(3)	(4)	(5)	(6)	(7)	(8)	(9)
<u>Year</u>	<u>Total</u>	<u>Residential Conservation</u>	<u>Comm./Ind. Conservation</u>	<u>Retail</u>	<u>Wholesale</u>	<u>Utility Use & Losses</u>	<u>Net Energy for Load</u>	<u>Load Factor %</u>
2008	2,230	110	41	1,804	196	79	2,079	52%
2009	2,248	117	49	1,781	203	98	2,082	51%
2010	2,319	124	56	1,825	217	97	2,139	52%
2011	2,212	133	63	1,770	201	45	2,016	52%
2012	2,162	142	68	1,700	195	57	1,952	54%
2013	2,068	145	70	1,695	113	45	1,853	51%
2014	2,091	146	70	1,709	121	45	1,875	52%
2015	2,241	147	70	1,765	214	45	2,024	56%
2016	2,271	147	70	1,796	221	37	2,054	56%
2017	2,249	148	70	1,773	220	38	2,031	57%
2018	2,312	148	70	1,818	226	50	2,094	56%
2019	2,252	149	70	1,841	141	51	2,033	53%
2020	2,266	149	70	1,852	144	51	2,047	53%
2021	2,282	150	70	1,863	148	51	2,062	53%
2022	2,296	150	70	1,873	151	52	2,076	53%
2023	2,311	151	70	1,884	154	52	2,090	53%
2024	2,325	151	70	1,895	156	53	2,104	53%
2025	2,339	151	70	1,906	159	53	2,118	53%
2026	2,353	152	70	1,916	162	53	2,131	53%
2027	2,366	152	70	1,925	165	54	2,144	53%

Schedule 4
Previous Year and 2-Year Forecast of Peak Demand and Net Energy for Load

(1)	(2)	(3)	(4)	(5)	(6)	(7)
	ACTUAL		FORECAST			
	2017		2018		2019	
	Peak Demand	NEL	Peak Demand	NEL	Peak Demand	NEL
<u>Month</u>	<u>(MW)</u>	<u>(GWh)</u>	<u>(MW)</u>	<u>(GWh)</u>	<u>(MW)</u>	<u>(GWh)</u>
JAN	333	150	362	162	357	157
FEB	268	130	337	142	331	137
MAR	304	147	306	150	300	144
APR	374	158	332	154	326	149
MAY	385	182	393	184	388	179
JUN	391	184	428	197	424	193
JUL	409	207	434	214	429	209
AUG	418	212	440	217	435	212
SEP	394	190	410	198	405	193
OCT	391	177	363	171	358	166
NOV	271	141	298	147	292	142
DEC	323	153	315	158	309	152

**Schedule 5
FUEL REQUIREMENTS
As of January 1, 2018**

(1)	(2)	(3)	(4)	(5)	(6)	(7)	(8)	(9)	(10)	(11)	(12)	(13)	(14)	(15)
				ACTUAL										
FUEL REQUIREMENTS			UNITS	2017	2018	2019	2020	2021	2022	2023	2024	2025	2026	2027
(1)	NUCLEAR		TRILLION BTU	0	0	0	0	0	0	0	0	0	0	0
(2)	COAL		1000 TON	204	280	332	379	308	360	391	361	354	406	384
RESIDUAL														
(3)		STEAM	1000 BBL	1	0	0	0	0	0	0	0	0	0	0
(4)		CC	1000 BBL	0	0	0	0	0	0	0	0	0	0	0
(5)		CT	1000 BBL	0	0	0	0	0	0	0	0	0	0	0
(6)		TOTAL:	1000 BBL	1	0	0	0	0	0	0	0	0	0	0
DISTILLATE														
(7)		STEAM	1000 BBL	2	0	0	0	0	0	0	0	0	0	0
(8)		CC	1000 BBL	0	0	0	0	0	0	0	0	0	0	0
(9)		CT	1000 BBL	2	0	0	0	0	0	0	0	0	0	0
(10)		TOTAL:	1000 BBL	4	0	0	0	0	0	0	0	0	0	0
NATURAL GAS														
(11)		STEAM	1000 MCF	2781	803	343	68	185	41	0	0	0	0	0
(12)		CC	1000 MCF	4578	5837	6345	5505	7148	6739	6611	7420	6816	7456	7492
(13)		CT	1000 MCF	427	386	386	375	385	462	376	401	483	376	423
(14)		TOTAL:	1000 MCF	7786	7026	7074	5948	7718	7242	6987	7821	7299	7832	7915
(15)	OTHER (specify)		1000 Tons Biomass	364	755	484	550	458	409	410	401	541	362	431

**Schedule 6.1
ENERGY SOURCES (GWH)
As of January 1, 2018**

(1)	(2)	(3)	(4)	(5)	(6)	(7)	(8)	(9)	(10)	(11)	(12)	(13)	(14)	(15)
	ENERGY SOURCES		UNITS	ACTUAL 2017	2018	2019	2020	2021	2022	2023	2024	2025	2026	2027
(1)	ANNUAL FIRM INTERCHANGE (INTER-REGION)		GWh	0	0	0	0	0	0	0	0	0	0	0
(2)	NUCLEAR Replacement Power		GWh	0	0	0	0	0	0	0	0	0	0	0
(3)	COAL		GWh	501	522	607	664	541	652	694	647	632	729	696
	RESIDUAL													
(4)	STEAM		GWh	1	0	0	0	0	0	0	0	0	0	0
(5)	CC		GWh	0	0	0	0	0	0	0	0	0	0	0
(6)	CT		GWh	0	0	0	0	0	0	0	0	0	0	0
(7)	TOTAL:		GWh	1	0	0	0	0	0	0	0	0	0	0
	DISTILLATE													
(8)	STEAM		GWh	0	0	0	0	0	0	0	0	0	0	0
(9)	CC		GWh	0	0	0	0	0	0	0	0	0	0	0
(10)	CT		GWh	1	0	0	0	0	0	0	0	0	0	0
(11)	TOTAL:		GWh	1	0	0	0	0	0	0	0	0	0	0
	NATURAL GAS													
(12)	STEAM		GWh	216	61	25	5	14	3	0	0	0	0	0
(13)	CC		GWh	546	727	793	688	894	844	828	931	855	936	942
(14)	CT		GWh	38	36	35	35	36	40	35	37	42	35	38
(15)	TOTAL:		GWh	800	824	853	728	944	887	863	968	897	971	980
(16)	NUG		GWh	0	0	0	0	0	0	0	0	0	0	0
(17)	BIOFUELS		GWh	0	0	0	0	0	0	0	0	0	0	0
(18)	BIOMASS		GWh	356	501	344	414	321	290	303	288	396	265	315
(19)	GEOTHERMAL		GWh	0	0	0	0	0	0	0	0	0	0	0
(20)	HYDRO		GWh	0	0	0	0	0	0	0	0	0	0	0
(21)	LANDFILL GAS	PPA	GWh	17	34	35	35	35	35	35	0	0	0	0
(22)	MSW		GWh	0	0	0	0	0	0	0	0	0	0	0
(23)	SOLAR		GWh	0	0	0	0	0	0	0	0	0	0	0
(24)	WIND		GWh	0	0	0	0	0	0	0	0	0	0	0
(25)	OTHER RENEWABLE		GWh	0	0	0	0	0	0	0	0	0	0	0
(26)	Total Renewable		GWh	373	535	379	449	356	325	338	288	396	265	315
(27)	Purchased Energy and NG-fired ICE		GWh	355	213	194	206	221	212	195	201	193	166	153
(28)	NET ENERGY FOR LOAD		GWh	2031	2094	2033	2047	2062	2076	2090	2104	2118	2131	2144

Schedule 6.2
ENERGY SOURCES (%)
As of January 1, 2018

(1)	(2)	(3)	(4)	(5)	(6)	(7)	(8)	(9)	(10)	(11)	(12)	(13)	(14)	(15)
				ACTUAL										
ENERGY SOURCES			UNITS	2017	2018	2019	2020	2021	2022	2023	2024	2025	2026	2027
(1)	ANNUAL FIRM INTERCHANGE (INTER-REGION)		GWh	0.0%	0.0%	0.0%	0.0%	0.0%	0.0%	0.0%	0.0%	0.0%	0.0%	0.0%
(2)	NUCLEAR Replacement Power		GWh	0.0%	0.0%	0.0%	0.0%	0.0%	0.0%	0.0%	0.0%	0.0%	0.0%	0.0%
(3)	COAL		GWh	24.7%	24.9%	29.9%	32.4%	26.2%	31.4%	33.2%	30.8%	29.8%	34.2%	32.5%
RESIDUAL														
(4)		STEAM	GWh	0.0%	0.0%	0.0%	0.0%	0.0%	0.0%	0.0%	0.0%	0.0%	0.0%	0.0%
(5)		CC	GWh	0.0%	0.0%	0.0%	0.0%	0.0%	0.0%	0.0%	0.0%	0.0%	0.0%	0.0%
(6)		CT	GWh	0.0%	0.0%	0.0%	0.0%	0.0%	0.0%	0.0%	0.0%	0.0%	0.0%	0.0%
(7)		TOTAL:	GWh	0.0%	0.0%	0.0%	0.0%	0.0%	0.0%	0.0%	0.0%	0.0%	0.0%	0.0%
DISTILLATE														
(8)		STEAM	GWh	0.0%	0.0%	0.0%	0.0%	0.0%	0.0%	0.0%	0.0%	0.0%	0.0%	0.0%
(9)		CC	GWh	0.0%	0.0%	0.0%	0.0%	0.0%	0.0%	0.0%	0.0%	0.0%	0.0%	0.0%
(10)		CT	GWh	0.0%	0.0%	0.0%	0.0%	0.0%	0.0%	0.0%	0.0%	0.0%	0.0%	0.0%
(11)		TOTAL:	GWh	0.0%	0.0%	0.0%	0.0%	0.0%	0.0%	0.0%	0.0%	0.0%	0.0%	0.0%
NATURAL GAS														
(12)		STEAM	GWh	10.6%	2.9%	1.2%	0.2%	0.7%	0.1%	0.0%	0.0%	0.0%	0.0%	0.0%
(13)		CC	GWh	26.9%	34.7%	39.0%	33.6%	43.4%	40.7%	39.6%	44.2%	40.4%	43.9%	43.9%
(14)		CT	GWh	1.9%	1.7%	1.7%	1.7%	1.7%	1.9%	1.7%	1.8%	2.0%	1.6%	1.8%
(15)		TOTAL:	GWh	39.4%	39.4%	42.0%	35.6%	45.8%	42.7%	41.3%	46.0%	42.4%	45.6%	45.7%
(16)	NUG		GWh	0.0%	0.0%	0.0%	0.0%	0.0%	0.0%	0.0%	0.0%	0.0%	0.0%	0.0%
(17)	BIOFUELS		GWh	0.0%	0.0%	0.0%	0.0%	0.0%	0.0%	0.0%	0.0%	0.0%	0.0%	0.0%
(18)	BIOMASS		GWh	17.5%	23.9%	16.9%	20.2%	15.6%	14.0%	14.5%	13.7%	18.7%	12.4%	14.7%
(19)	GEO THERMAL		GWh	0.0%	0.0%	0.0%	0.0%	0.0%	0.0%	0.0%	0.0%	0.0%	0.0%	0.0%
(20)	HYDRO		GWh	0.0%	0.0%	0.0%	0.0%	0.0%	0.0%	0.0%	0.0%	0.0%	0.0%	0.0%
(21)	LANDFILL GAS	PPA	GWh	0.8%	1.6%	1.7%	1.7%	1.7%	1.7%	1.7%	0.0%	0.0%	0.0%	0.0%
(22)	MSW		GWh	0.0%	0.0%	0.0%	0.0%	0.0%	0.0%	0.0%	0.0%	0.0%	0.0%	0.0%
(23)	SOLAR		GWh	0.0%	0.0%	0.0%	0.0%	0.0%	0.0%	0.0%	0.0%	0.0%	0.0%	0.0%
(24)	WIND		GWh	0.0%	0.0%	0.0%	0.0%	0.0%	0.0%	0.0%	0.0%	0.0%	0.0%	0.0%
(25)	OTHER RENEWABLE		GWh	0.0%	0.0%	0.0%	0.0%	0.0%	0.0%	0.0%	0.0%	0.0%	0.0%	0.0%
(26)	Total Renewable		GWh	18.4%	25.5%	18.6%	21.9%	17.3%	15.7%	16.2%	13.7%	18.7%	12.4%	14.7%
(27)	Purchased Energy		GWh	17.5%	10.2%	9.5%	10.1%	10.7%	10.2%	9.3%	9.6%	9.1%	7.8%	7.1%
(28)	NET ENERGY FOR LOAD		GWh	100.0%	100.0%	100.0%	100.0%	100.0%	100.0%	100.0%	100.0%	100.0%	100.0%	100.0%

3. FORECAST OF FACILITIES REQUIREMENTS

3.1 GENERATION RETIREMENTS

Deerhaven fossil steam unit #1 and combustion turbines #1 and #2 are scheduled for retirement in 2022 and 2026, respectively. These planned changes to the System's generation mix are tabulated in Schedule 8.

3.2 RESERVE MARGIN AND SCHEDULED MAINTENANCE

GRU uses a planning criterion of 15% capacity reserve margin (suggested for emergency power pricing purposes by Florida Public Service Commission Rule 25-6.035). Available generating capacities are compared with System summer peak demands in Schedule 7.1 and System winter peak demands in Schedule 7.2. Higher peak demands in summer and lower unit operating capacities in summer result in lower reserve margins during the summer season than in winter. In consideration of existing resources, expected future purchases, and savings impacts from conservation programs, GRU expects to maintain a summer reserve margin in excess of 15% over the next 10 years. Although GRU's current generation capacity and scheduled unit retirements will only provide a 15% reserve margin through 2026, GRU is evaluating additional generation and energy sources that will be in place by 2026 to bring GRU's reserve margin above 15% for 2027.

3.3 GENERATION ADDITIONS

GRU has been issued a construction permit for the installation of a nominal 50 MW of peaking power in 2018, if required. The need, timing and technology of this peaking power addition are under evaluation.

3.4 DISTRIBUTION SYSTEM ADDITIONS

Up to five new, compact power delivery systems (PDS) were planned for the GRU system in 1999. Three of the four - Rocky Point, Kanapaha, and Ironwood -

were installed by 2003. A fourth PDS, Springhill, was brought on-line in January 2011; a third circuit from Springhill is anticipated as forecasted load develops in 2020. In addition, a second transformer is scheduled to be installed here in 2023. The fifth PDS, known at this time as the Northwest Sub, is planned for addition to the System in 2024. This PDS will be located in the 2000 block of NW 53rd Avenue. These new compact-power delivery systems have been planned to redistribute the load from the existing substations as new load centers grow and develop within the System.

The Rocky Point, Kanapaha, and Ironwood PDS utilize single 33 MVA class transformers that are radial-tapped to the System's looped 138 kV system. These three radial-tapped substation all have remote controlled motor operated tie reclosers to remotely switch distribution load in a matter of minutes. The Springhill Substation consists of one 33 MVA class transformer served by a loop fed pole-mounted switch. Each PDS consists of one (or more) 138/12.47 kV, 33 MVA class, wye-wye substation transformer with a maximum of eight distribution circuits. The proximity of these new PDS's to existing area substations will allow for backup in the event of a substation transformer failure.

Schedule 7.1
Forecast of Capacity, Demand, and Scheduled Maintenance at Time of Summer Peak

(1)	(2)	(3)	(4)	(5)	(6)	(7)	(8)	(9)	(10)	(11)	(12)
	Total Installed Capacity (2)	Firm Capacity Import	Firm Capacity Export	QF	Total Capacity Available (3)	System Firm Summer Peak Demand (1)	Reserve Margin before Maintenance		Scheduled Maintenance	Reserve Margin after Maintenance (1)	
<u>Year</u>	<u>MW</u>	<u>MW</u>	<u>MW</u>	<u>MW</u>	<u>MW</u>	<u>MW</u>	<u>MW</u>	<u>% of Peak</u>	<u>MW</u>	<u>MW</u>	<u>% of Peak</u>
2008	610	49	0	0	659	457	202	44.3%	0	202	44.3%
2009	608	101	0	0	708	465	243	52.4%	0	243	52.4%
2010	608	101	0	0	709	470	239	50.7%	0	239	50.7%
2011	608	52	0	0	660	445	215	48.3%	0	215	48.3%
2012	609	52	0	0	662	415	247	59.5%	0	247	59.5%
2013	598	53	0	0	650	416	234	56.3%	0	234	56.3%
2014	533	106	0	0	639	409	230	56.2%	0	230	56.2%
2015	533	106	0	0	639	421	218	51.7%	0	218	51.7%
2016	525	106	0	0	631	430	201	46.7%	0	201	46.7%
2017	521	106	0	0	627	434	193	44.5%	0	193	44.5%
2018	630	4	0	0	634	440	194	44.1%	0	194	44.1%
2019	630	4	0	0	634	434	200	46.2%	0	200	46.2%
2020	630	4	0	0	634	437	197	45.0%	0	197	45.0%
2021	630	4	0	0	634	441	193	43.8%	0	193	43.8%
2022	630	4	0	0	634	444	190	42.7%	0	190	42.7%
2023	555	4	0	0	559	448	111	24.8%	0	111	24.8%
2024	555	0	0	0	555	451	104	23.0%	0	104	23.0%
2025	555	0	0	0	555	455	101	22.1%	0	101	22.1%
2026	555	0	0	0	555	458	97	21.2%	0	97	21.2%
2027	520	0	0	0	520	461	59	12.8%	0	59	12.8%

(1) System Peak demands shown in this table reflect service to partial and full requirements wholesale customers.

(2) Details of planned changes to installed capacity from 2018-2027 are reflected in Schedule 8.

**Schedule 7.2
Forecast of Capacity, Demand, and Scheduled Maintenance at Time of Winter Peak**

(1)	(2)	(3)	(4)	(5)	(6)	(7)	(8)	(9)	(10)	(11)	(12)
	Total Installed Capacity (2)	Firm Capacity Import	Firm Capacity Export	QF	Total Capacity Available (3)	System Firm Winter Peak Demand (1)	Reserve Margin before Maintenance		Scheduled Maintenance	Reserve Margin after Maintenance (1)	
<u>Year</u>	<u>MW</u>	<u>MW</u>	<u>MW</u>	<u>MW</u>	<u>MW</u>	<u>MW</u>	<u>MW</u>	<u>% of Peak</u>	<u>MW</u>	<u>MW</u>	<u>% of Peak</u>
2008/09	634	76	0	0	711	421	290	68.8%	0	290	68.8%
2009/10	628	76	0	0	704	464	240	51.8%	0	240	51.8%
2010/11	628	53	0	0	680	409	271	66.4%	0	271	66.4%
2011/12	630	52	0	0	682	371	311	83.8%	0	311	83.8%
2012/13	618	52	0	0	670	348	322	92.5%	0	322	92.5%
2013/14	550	106	0	0	656	348	308	88.4%	0	308	88.4%
2014/15	550	106	0	0	656	360	296	82.1%	0	296	82.1%
2015/16	550	106	0	0	656	348	308	88.4%	0	308	88.4%
2016/17	554	106	0	0	660	360	299	83.1%	0	299	83.1%
2017/18	557	4	0	0	561	366	195	53.3%	0	195	53.3%
2018/19	550	4	0	0	553	359	194	54.2%	0	194	54.2%
2019/20	550	4	0	0	553	362	192	53.0%	0	192	53.0%
2020/21	550	4	0	0	553	365	189	51.8%	0	189	51.8%
2021/22	550	4	0	0	553	367	186	50.6%	0	186	50.6%
2022/23	475	4	0	0	478	370	108	29.1%	0	108	29.1%
2023/24	475	0	0	0	475	373	101	27.2%	0	101	27.2%
2024/25	475	0	0	0	475	376	99	26.2%	0	99	26.2%
2025/26	475	0	0	0	475	379	96	25.3%	0	96	25.3%
2026/27	453	0	0	0	453	381	71	18.7%	0	71	18.7%
2027/28	431	0	0	0	431	384	47	12.1%	0	47	12.1%

- (1) System Peak demands shown in this table reflect service to partial and full requirements wholesale customers.
(2) Details of planned changes to installed capacity from 2018-2027 are reflected in Schedule 8.
(3) The coincidence factor used for Winter photovoltaic capacity is 9.3%.

**Schedule 8
PLANNED AND PROSPECTIVE GENERATING FACILITY ADDITIONS AND CHANGES**

(1)	(2)	(3)	(4)	(5)	(6)	(7)	(8)	(9)	(10)	(11)	(12)	(13)	(14)	(15)	(16)
Plant Name	Unit No.	Location	Unit Type	Fuel		Fuel Transport		Const. Start Mo/Yr	Comm. In-Service Mo/Yr	Expected Retire Mo/Yr	Gross Capability		Net Capability		Status
				Pri.	Alt.	Pri.	Alt.				Summer (MW)	Winter (MW)	Summer (MW)	Winter (MW)	
Deerhaven	FS01	Alachua County	ST	NG	RFO	PL	TK		8/1972	8/2022	-80.0	-80.0	-75.0	-75.0	RT
	GT01	Secs. 26, 27,35,	GT	NG	PL	DFO	TK		7/76	7/2026	-18.0	-23.0	-17.5	-22.0	RT
	GT02	T8S, R19E (GRU)	GT	NG	PL	DFO	TK		8/76	8/2026	-18.0	-23.0	-17.5	-22.0	RT

Unit Type

ST = Steam Turbine

Fuel Type

NG = Natural Gas

RFO = Residual Fuel Oil

DFO = Distillate Fuel Oil

Transportation Method

PL = Pipeline

TK = Truck

Status

RT = Generating unit retired or scheduled for retirement

4. ENVIRONMENTAL AND LAND USE INFORMATION

4.1 DESCRIPTION OF POTENTIAL SITES FOR NEW GENERATING FACILITIES

Currently, there are no new potential generation sites planned. GRU has been issued a construction permit for up to approximately 50 MW of generation at the existing Deerhaven generation site, but GRU has not yet evaluated what type of generation, if any, will be added to the Deerhaven generating facility.

4.2 DESCRIPTION OF PREFERRED SITES FOR NEW GENERATING FACILITIES

Any additional system generation is expected to be sited at the existing Deerhaven site. Evaluation of the need for future generation is in progress.

4.2.1 Land Use and Environmental Features

The location of the site is indicated on Figures 1.1 (see Section 1) and 4.1. The existing land use of the certified portion of the Deerhaven site is industrial (i.e., electric power generation and transmission and ancillary uses such as fuel storage and conveyance, water withdrawal, combustion product handling and disposal, and forest management). The areas acquired since 2002 have been annexed into the City of Gainesville. The site is a PS, Public Services and Operations District, zoned property. Surrounding land uses are primarily rural or agricultural with some low-density residential development. The Deerhaven site encompasses approximately 3,474 acres.

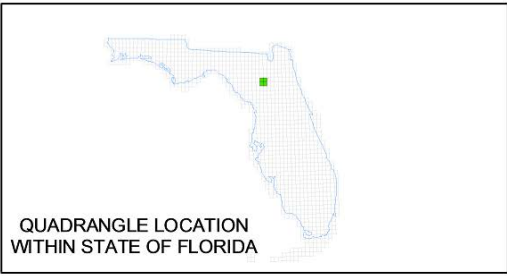
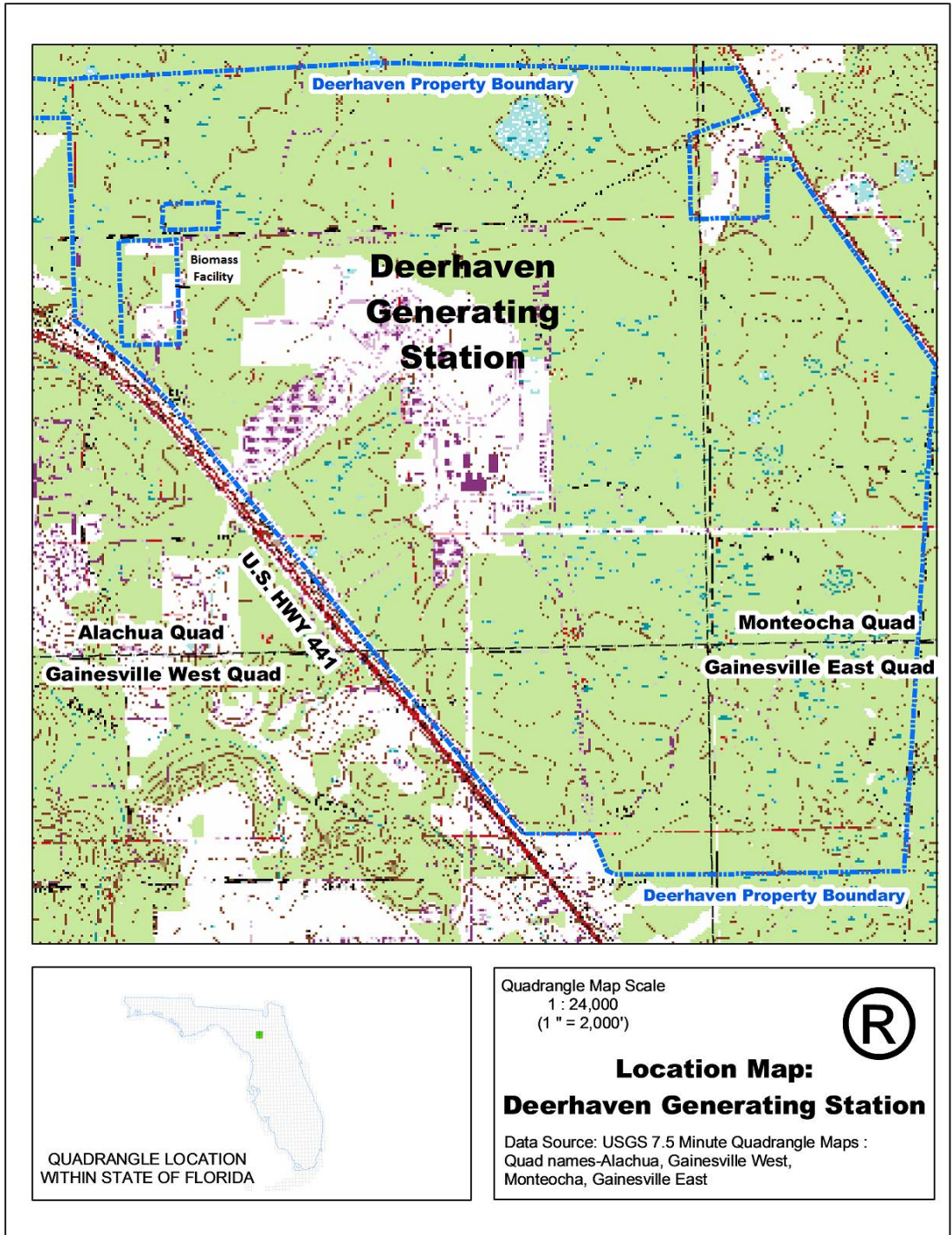
The Deerhaven Generating Station plant site is located in the Suwannee River Water Management District. Water for potable use is supplied via the City's potable water system. Groundwater is extracted from the Floridian aquifer. Process wastewater is currently collected, treated and reused on-site. The site has zero

discharge of process wastewater to surface and ground waters. GRU uses a brine concentrator/spray dryer and off-site disposal of solid wastewater treatment by-products.

4.2.2 Air Emissions

Any generation technology installed at the Deerhaven site will meet all applicable standards for all pollutants regulated for the category of emissions unit.

Figure 4.1
Deerhaven Generating Site



Quadrangle Map Scale
 1 : 24,000
 (1" = 2,000')

®

Location Map:
Deerhaven Generating Station

Data Source: USGS 7.5 Minute Quadrangle Maps :
 Quad names-Alachua, Gainesville West,
 Monteocha, Gainesville East