



June 27, 2013

Ms. Beth Salak
Director, Division of Competitive Markets and Enforcement Telecommunications
Attention: Tariff Section
Florida Public Service Commission
2540 Shumard Oak Boulevard
Tallahassee, Florida 32399-0850

RE: **TL727**

Dear Ms. Salak:

Attached for filing, please find the following revised pages for the Embarq Florida, Inc. d/b/a CenturyLink Access Service Tariff. This filing is submitted with a proposed effective date of July 2, 2013.

The tariff pages being revised with this filing are as follows:

See Attachment A

This filing proposes intrastate access tariff reductions, to be effective July 2, 2013, pursuant to the FCC's November 18, 2011 Report and Order and Further Notice of Proposed Rulemaking in WC Docket Nos. 10-90, etc. (FCC 11-161). The Transitional Intrastate Access Service reductions proposed herein are as required by 47 C.F.R. §51.907(c).

This filing is the second step in implementing the "Transitional Intrastate Access Service" reductions mandated by the FCC. Specifically this filing proposes a reduction of switched access service rates to mirror the interstate rates, as mandated in the FCC's November 18, 2011 Report and order and Further Notice of Proposed Rulemaking in WC Docket Nos. 10-90, etc. (FCC 11-161). Attachment B describes the methodology used for calculating the rate reductions proposed herein.

Enclosed as Attachment C is CenturyLink's certification that the Company is not seeking duplicative recovery in the state jurisdiction for any Eligible Recovery subject to the recovery mechanism established by the Transformation Order.

Finally, CenturyLink provides as Attachment D the information required by 47 C.F.R. 54.304(c)(1) establishing the amount of a price cap carrier's annual eligible CAF ICC funding. Attachment D provides the anticipated CAF ICC support and Access Recovery Charge Revenue amounts for the CenturyLink Operating Companies together with Qwest Corporation d/b/a CenturyLink QC (CenturyLink) as submitted to the FCC for 2013.

If you have questions or need additional information regarding this filing, please contact Sandy Khazraee at 850-847-0173 or me at the phone number or the e-mail address listed below.

Sincerely,

A handwritten signature in black ink that reads "Gary L. Kepley".

Gary L. Kepley
Director, Regulatory Systems

Attachments
pc: Sandy Khazraee, Susan Masterton, John Felz

5454 West 110th Street
Overland Park, KS 66211
Tel: 913.345.7572
Fax: 913-345-6756
gary.kepley@centurylink.com

ATTACHMENT A

Subject Index	7th Revised Page 9 5th Revised Page 14	Section E6 (Cont'd)	2nd Revised Page 136.2 5th Revised Page 137 Original Page 137.0.1 3rd Revised Page 137.5 2nd Revised Page 137.7 2nd Revised Page 137.8 4th Revised Page 138 4th Revised Page 141 3 rd Revised Page 145 2nd Revised Page 146 3rd Revised Page 148 3rd Revised Page 149 2nd Revised Page 150 2nd Revised Page 151
Section E2	3rd Revised Page 70 3rd Revised Page 71		
Section E3	3rd Revised Page 2 2nd Revised Page 3 3rd Revised Page 5 2nd Revised Page 14 2nd Revised Page 15		
Section E5	2nd Revised Page 2 2nd Revised Page 7 4th Revised Page 16 4th Revised Page 16.1 2nd Revised Page 14 2nd Revised Page 23		
Section E6	2nd Revised Page 7 4th Revised Page 35 2nd Revised Page 37 2nd Revised Page 38.1 3rd Revised Page 40 2nd Revised Page 54 4th Revised Page 55 3rd Revised Page 59 2nd Revised Page 60 4th Revised Page 61 3rd Revised Page 62 5th Revised Page 70.7 3rd Revised Page 70.14 4th Revised Page 71 6th Revised Page 77 5th Revised Page 78 5th Revised Page 79 3rd Revised Page 85 2nd Revised Page 91 2nd Revised Page 92 2nd Revised Page 93 2nd Revised Page 96 3rd Revised Page 104 2nd revised Page 105 2nd Revised Page 112.1 4th Revised Page 133 8th Revised Page 135 4th Revised Page 135.3 5th Revised Page 136	Section E19	4th Revised Page 1 4th Revised Page 2 4th Revised Page 3 5th Revised Page 4 5th Revised Page 4 4th Revised Page 5 4th Revised Page 6 4th Revised Page 7 4th Revised Page 8 3rd Revised Page 8.1 3rd Revised Page 8.2 3rd Revised Page 8.3 4th Revised Page 9 4th Revised Page 10 6th Revised Page 11 4th Revised Page 11.1 3rd Revised Page 11.2 4th Revised Page 12 4th Revised Page 13 4th Revised Page 14 4th Revised Page 15 4th Revised Page 16 4th Revised Page 17 3rd Revised Page 17.1 4th Revised Page 17.2 6th Revised Page 18 5th Revised Page 18.1 Cancelling Pages 18.1.1 Thru 45

**Embarq Florida, Inc. d/b/a CenturyLink
FCC ICC/USF Compliance Filing Rate Decreases**

NARRATIVE DESCRIPTION OF ACCESS RATE REDUCTION

The following narrative describes the methodology and supporting calculations utilized by CenturyLink to implement the Transitional Intrastate Access Service reductions required by 47 C.F.R. §51.907(c) which addresses changes beginning July 2013. CenturyLink's supporting calculations utilize the "ICC-Access Reduction" template released by the Federal Communications Commission ("FCC") on April 19, 2013, for calculating the July 2, 2013 intrastate access rate changes.

The FCC spreadsheet template also provides the methodology for calculating the rate changes and identifies in detail the intrastate access rates that are required to be changed consistent with the rules. Step 2 of the USF ICC Transformation Order brings Transitional Intrastate Access Services¹ rates and structure in parity with the functionally equivalent interstate rates and structure. This means that some intrastate rates may increase while other intrastate rates may decrease; some new intrastate rate elements, including originating, may be introduced to meet the interstate functionally equivalent access structure.

Section 51.907(c) of the FCC Rules continues with the same spreadsheet template as used to meet the 51.907(b) steps (which addressed changes beginning in July 2012) in calculating the rate for Transitional Intrastate Access Service that was effective July 3, 2012.

1. Compare functionally equivalent rate elements for Transitional Intrastate Access Services between intrastate and interstate.
2. Identify where structure differences will require establishing new intrastate rate elements.
3. Where applicable, separate switched access elements into originating and terminating.
4. Set Transitional Intrastate Access Services rates equal to their functionally equivalent interstate rates.
5. Prepare intrastate and interstate tariff filing documents as required by each tariff jurisdiction.

For Embarq Florida, Inc. d/b/a CenturyLink, the current rate structure of intrastate common/shared & dedicated port and common/shared multiplexing services varies significantly from the current rate structure of interstate common/shared & dedicated port and common/shared multiplexing services. Specifically, the intrastate services have not undergone Access Reform Restructure. To simplify the calculations to determine the required reductions, CenturyLink has completed revenue neutral calculations for the affected rate elements to synchronize intrastate and interstate rate structures for port and multiplexing services as follows:

1. Calculate intrastate and interstate switching MOU percentage splits using the Fiscal Year 2011 demand.
2. Calculate surrogate intrastate demand for End Office shared/common trunk port service based on relationships to Local Switching intrastate demand to Interstate demand as noted in 1 above.

¹ Definition at 51.903 (j) Transitional Intrastate Access Service: A Transitional Intrastate Access Service means terminating End Office Access Service that was subject to intrastate access rates as of December 31, 2011; terminating Tandem-Switched Transport Access Service that was subject to intrastate access rates as of December 31, 2011; and originating and terminating Dedicated Transport Access Service that was subject to intrastate access rates as of December 31, 2011.

Narrative Description

Page 2

3. Calculate surrogate intrastate demand for Tandem shared/common multiplexing service based on relationships to Tandem Switching intrastate demand to Interstate demand as noted in 1 above.
4. Calculate surrogate Intrastate demand for the dedicated trunk port elements based on interstate dedicated trunk port usage along with the PIU (percent Interstate usage) factor. Intrastate demand was determined based on the inverse of the interstate PIU currently utilized for that element.
5. Price out restructured intrastate shared/common trunk port, shared/common multiplexing and dedicated trunk port revenues by applying interstate rates to calculated intrastate demand from Steps 2, 3, & 4 for each new element.
6. Existing Local Switching and Tandem Switched rates are then reduced by the additional amount of revenue calculated in Step 5. New Local Switching and Tandem Switched rates are determined to reflect this adjusted revenue. In total, these calculations are revenue neutral.

The restructured intrastate rates for the common/shared trunk port, shared/common multiplexing and dedicated trunk port elements are then used to calculate the revenue at existing intrastate access rates which becomes the basis for determining the access revenue reduction necessary to achieve the required parity using interstate rates and the Fiscal Year 2011 demand.

CERTIFICATION

I am Vice President – Regulatory Operations for the CenturyLink Operating Companies together with Qwest Corporation d/b/a CenturyLink QC (CenturyLink). I have overall responsibility for supervision of the personnel who prepare all of the data supporting CenturyLink’s annual access charge tariff filings with the Federal Communications Commission (FCC) and I am authorized to execute this certification. I provide this certification based upon the information provided to me by employees responsible for the preparation of the data submitted in support of CenturyLink’s 2012 FCC annual access charge tariff filings as well as the data that will be submitted in support of subsequent CenturyLink FCC annual access charge tariff filings as necessary to implement the FCC’s November 18, 2011 USF ICC Transformation Order, FCC 11-161 (WC Docket No. 10-90)(Transformation Order). I have prepared this certification for submission in connection with each of CenturyLink’s state tariff filings as necessary to implement the Transformation Order in 2013. I hereby certify, pursuant to 47 C.F.R 51.915(d)(3), that CenturyLink is not seeking duplicative recovery in the state jurisdiction for any Eligible Recovery subject to the recovery mechanism established by the Transformation Order.

April 30, 2013



Jeff Glover
Vice President – Regulatory Operations

Contact Person: Gary Kepley
Director, Regulatory Operations
Telephone Number: (913) 345-7572

Attachment D

CenturyLink

Gary Kepley
5454 West 110th Street
Overland Park, KS 66211
Tel: 913-345-7572
Fax: 913-345-6756
Email:
Gary.Kepley@CenturyLink.com

June 27, 2013

The Federal Communications Commission (FCC) Report and Order released November 18, 2011 in WC Docket No. 10-90, et al. (USF/ICC Transformation Order) and associated FCC rules (47 C.F.R. 54.304(c)(1)), require price cap carriers to file data establishing the amount of a price cap carrier's annual eligible CAF ICC funding. The information presented below reflects the anticipated CAF ICC support and Access Recovery Charge Revenue amounts for CenturyLink Operating Companies together with Qwest Corporation d/b/a CenturyLink QC (CenturyLink) as submitted to the FCC for 2013.

Holding Company Eligible Recovery	Holding Company Maximum ARC Revenues	Maximum CAF ICC Support
\$153,697,466	\$147,890,128	\$5,807,338

Please call me at 913-345-7572 if you have any questions regarding this filing.

Sincerely,



Gary Kepley
Director – Regulatory Operations

ACCESS SERVICE TARIFF

Embarq Florida, Inc.
d/b/a CenturyLink
 By: Gary L. Kepley, Director

7th Revised Page 9
 Cancels 6th Revised Page 9 (T)

Effective: July 2, 2013

SUBJECT INDEX

SUBJECT	P.	SECTION	
Partial Cancellation Charge		E5.2	
Payment Arrangements and Credit Allowances		E2.4, E3.5	
Payment of Rates, Charges and Deposits		E2.4	
Physical Collocation		E17	
PIC Switchback Service		See CenturyLink Operating Companies Tariff FCC No. 9, Section 13, Miscellaneous Services	
Presubscription		E13.3	
Presubscription Charge		See CenturyLink Operating Companies Tariff FCC No. 9, Section 13, Miscellaneous Services	
Price Flexibility Switched Access Service		E19	(N)
Proof of Certification		E2.3	
Protective Connecting Arrangements		E13.3	
Provision and Ownership of Telephone Numbers		E2.1	
Provision of Access Service Billing Information		E13.3	
Provision of Other Services		E5.1	
Provision of Service		E2.1, E6.1, E9.1	
Provision of Specialized Service or Arrangements		E12.1	

ACCESS SERVICE TARIFF

Embarq Florida, Inc.
d/b/a CenturyLink
By: Gary L. Kepley, Director

5th Revised Page 14
Cancels 4th Revised Page 14 (T)
Effective: July 2, 2013

SUBJECT INDEX

SUBJECT	V.	SECTION	
Verification Service		E15.2	
Virtual Collocation		E17	
Voice Grade Service		E7.2, E7.5	
Voice over Internet Protocol		E2.3.14	
	W.		
	X.		
	Y.		
	Z.		
Zone Density (Dedicated Access)		E7.4	
Zone Density (Switched Access)		E6.1.3 H , E6.7	(C)
Zone Density (Price Flexibility Switched Access)		E19	(N)

NUMERICS

900 Access Service	E6.2
--------------------	------

Embarq Florida, Inc.
d/b/a CenturyLink
By: Gary L. Kepley, Director

Fourth Revised Page 16
Cancels Third Revised Page 16

(T)

Effective: July 2, 2013

E2. GENERAL REGULATIONS

E2.3 Obligations of the IC (Cont'd)

E2.3.9 Network Blockage

It shall be the responsibility of the IC to provide adequate trunking capacity, to avoid any adverse affects to the telecommunications network.

E2.3.10 Coordination with Respect to Network Contingencies

The IC shall, in cooperation with the Company, coordinate in planning the actions to be taken to maintain maximum network capability following natural or man-made disasters which affect telecommunications services.

E2.3.11 Jurisdictional Report Requirements

A. Percent Interstate Usage (PIU)

- 1. Pursuant to Federal Communications Commission order F.C.C. 85-145 adopted April 16, 1985, intrastate usage is to be developed as though every call that enters a customer network from a calling location within the same state as that in which the called station (as designated by the called station number) is situated is an intrastate communication and every call for which the point of entry is in a state other than that where the called station (as designated by the called station number) is situated is an interstate communication. The manner in which a call is routed through the telecommunications network does not affect the jurisdiction of a call, i.e.; a call between two points within the same state is an intrastate communication even if the call is routed through another state.

- 2. When the Telephone company has measurement capability to provide the data to determine the jurisdiction of the usage, the Telephone Company will determine the jurisdiction of the usage. In those instances where the Telephone Company cannot determine the jurisdiction, the projected interstate percentages will be used by the Company to apportion the usage between interstate and intrastate until a revised report is received as set forth in B.7 following.

(N)
(N)
(N)
(N)

B. Jurisdictional Reports

(D)

(D)

ACCESS SERVICE TARIFF

Embarq Florida, Inc.
d/b/a CenturyLink
By: Gary L. Kepley, Director

Fourth Revised Page 16.1
Cancels Third Revised Page 16.1

(T)

Effective: July 2, 2013

E2. GENERAL REGULATIONS

E2.3 Obligations of the IC (Cont'd)

E2.3.11 Jurisdictional Report Requirements (Cont'd)

B. Jurisdictional Reports (Cont'd)

(D)

(D)

When the Telephone Company receives sufficient call detail to permit it to determine the jurisdiction of originating and terminating access minutes of use, the Telephone Company will bill the minutes of use according to that jurisdiction and will not use the customer provided PIU factors provided as set forth in (1) through (13) following.

(N)

(N)

Embarq Florida, Inc.
d/b/a CenturyLink
By: Gary L. Kepley, Director

Third Revised Page 70
Cancels Second Revised Page 70

(T)

Effective: July 2, 2013

E2. GENERAL REGULATIONS

E2.6 Definitions (Cont'd)

FIRST COME-FIRST SERVED

The term "Second Come-Second Served" denotes a procedure followed when a shortage of facilities or equipment occurs, such that an Access Service ordered cannot be installed. The orders delayed by the shortage of facilities will be prioritized according to the sequence in which they were received. That is, when facilities or equipment become available, the first order received will be the first order processed.

FIRST POINT OF SWITCHING (FP OF S)

The term "Second Point of Switching" denotes the first Company location at which switching occurs on the terminating path of a call proceeding from the IC terminal location to the terminating end office and, at the same time, the last Company location at which switching occurs on the originating path of a call proceeding from the originating end office to the IC terminal location.

FIVE (5) YEAR FORECAST - Definition of term can be found in E14 Special Construction.

FREQUENCY SHIFT

The term "Frequency Shift" denotes the change in the frequency of a tone as it is transmitted over a channel.

GATEWAYS

Gateways exist between data networks and, in data communications, are typically referred to as a node on a network that connects two otherwise incompatible networks. Gateways on data networks often perform code and protocol conversion processes as well. Gateways also connect compatible networks owned by different entities, such as X.25 networks linked by X.75 gateways.

GEOGRAPHICALLY AGGREGATED RATE (GAR)

The term "Geographically Aggregated Rate" denotes a situation in which the rates and charges for a service offering, for which there is currently no demand, are developed based upon the aggregated total revenue and demand for more than one study area. Upon receipt of a request for service, the current geographically averaged rates will be redeveloped to include the new study area.

Example: Study areas A, B and C have been geographically aggregated. Geographically averaged rates for A and B were developed based on their aggregated total revenue and demand, while Area C, marked "GAR", has no current demand. Should C receive a request for service, the current geographically averaged rates will be redeveloped to include C's revenue and demand. The redeveloped rates and charges will now be applicable to customers in study areas A, B and C.

(N)

(N)

(M)

(M)

(M) Material omitted from this page now appears on Page 71.

ACCESS SERVICE TARIFF

Embarq Florida, Inc.
d/b/a CenturyLink
By: Gary L. Kepley, Director

Third Revised Page 71
Cancels Second Revised Page 71

(T)

Effective: July 2, 2013

E2. GENERAL REGULATIONS

E2.6 Definitions (Cont'd)

GRANDFATHERED

The term "Grandfathered" denotes Terminal Equipment, Multiline Terminating Systems and Protective Circuitry directly connected to the facilities utilized to provide services under the provisions of this Tariff, and which are considered grandfathered under Part 68 of the FCC Rules and Regulations.

(M)
|
(M)

HIGH BIT-RATE DIGITAL SUBSCRIBER LINE (HDSL)

High bit-rate digital subscriber line (HDSL) is a technology that provides DS1 (1.544 Mbps) transmission capacity utilizing two copper wire pairs in the existing local loop.

HOST OFFICE

The term "Host Office" denotes an electronic switching system which provides call processing capabilities for one or more Remote Switching Modules or Remote Switching Systems.

HUB

The term "Hub" denotes a Company designated location at which services are either joined together (as in a bridging hub) or where services are multiplexed or demultiplexed (as in a Hi-Capacity hub).

IC TERMINAL LOCATION

The term "IC Terminal Location" denotes a location within a LATA (Point of Presence) from which the IC (1) provides and/or administers telecommunications services for its own use or for the use of its customers (End Users) and (2) has the capability of testing the facilities operated or terminated at that location.

IMMEDIATELY AVAILABLE FUNDS

The term "Immediately Available Funds" denotes a corporate or personal check drawn on a bank account and funds which are available for use by the receiving party on the same day on which they are received and include U.S. Federal Reserve bank wire transfers, U.S. Federal Reserve notes (paper cash), U.S. coins, U.S. Postal Money Orders and New York Certificates of Deposit.

(M) This material previously appeared on Page 70.

ACCESS SERVICE TARIFF

Embarq Florida, Inc.
d/b/a CenturyLink
By: F.B. Poag, Director

Third Revised Page 2
Cancels Second Revised Page 2

(T)

Effective: July 2, 2013

E3. CARRIER COMMON LINE ACCESS

E3.2 Limitations (Cont'd)

- D. Intercept arrangements are not included in the rates and charges for Carrier Common Line Access.
- E. Reserved for Future Use (C)
(D)
- F. All line side connections provided in the same combined access group will be limited to the same features and operating characteristics. Such features and characteristics will be limited to those which are available under both this Tariff and the general and/or local exchange tariff applicable to the group involved.
- G. All trunk side connections provided in the same combined access group will be limited to the same features and operating characteristics.
- H. Switched Access Service Access minutes which originate from or terminate to a cellular Type I interconnection arrangement will be excluded from the Carrier Common Line Access minutes.

E3.3 Undertaking of the Company

- A. Where the Customer is provided with Switched Access Service under other sections of this Tariff, the Company will provide the use of Company common lines by a Customer for access to end users at rates and charges as specified in E3.8 following.

ACCESS SERVICE TARIFF

Embarq Florida, Inc.
d/b/a CenturyLink
By: F.B. Poag, Director

Second Revised Page 3 (T)
Cancels First Revised Page 3

Effective: July 2, 2013

E3. CARRIER COMMON LINE ACCESS

E3.3 Undertaking of the Company (Cont'd)

- B. Where the Customer is solely reselling MTS/WATS or MTS/WATS-type services, the Company, when the Customer orders line side switched access, will not provide Switched Access Service under this Tariff but will provide switched access such as local business exchange service for such resale under the Company's general and/or local exchange service tariffs for the locations involved. Carrier Common Line Access charge will not apply for such access.
- C. When access to the local exchange is required to provide an MTS/WATS-type service using a resold Private Line Service, Switched Access and Dedicated Access Rates and Regulations as set forth in E6 and E7 following will apply. Carrier Common Line Access rates and charges as set forth in E3.8 following apply in accordance with the regulations as set forth in E3.7 following.
- D. **Reserved for Future Use** (C)
(D)
(D)
- E. The Switched Access Service provided by the Company includes the Switched Access Service provided for both interstate and intrastate communications and the Carrier Common Line Access rates and charges as set forth in E3.8 following apply in accordance with the regulations as set forth in E3.7.F following.

ACCESS SERVICE TARIFF

Embarq Florida, Inc.
d/b/a CenturyLink
By: F.B. Poag, Director

Third Revised Page 5 (T)
Cancels Second Revised Page 5

Effective: July 2, 2013

E3. CARRIER COMMON LINE ACCESS

E3.4 Obligations of the Customer (Cont'd)

- D. When the Customer reports interstate and intrastate use of Switched Access Service, the associated Carrier Common Line Access used by the Customer for interstate and intrastate will be determined as set forth in E3.7.F following.
- E. Where Feature Group C end office switching is provided without Company recording and the Customer records minutes of use which will be used to determine Carrier Common Line Access charges (i.e., Feature Group C operator and TSPS/TOPS calls such as operator-DDD, operator-person, collect, credit-card, third number and/or other like calls), the Customer shall furnish such minutes of use detail to the Company billing entity (billing entity) in a timely manner. If the Customer does not furnish the data to the billing entity, the Customer shall identify all Switched Access Services which could carry such calls in order for the billing entity to accumulate the minutes of use through the use of special Company measuring and recording equipment.
- F. ***Reserved for Future Use***

(C)
(D)
—
(D)

ACCESS SERVICE TARIFF

Embarq Florida, Inc.
d/b/a CenturyLink
By: F.B. Poag, Director

Second Revised Page 14 (T)
Cancels First Revised Page 14

Effective: July 2, 2013

E3. CARRIER COMMON LINE ACCESS

E3.7 Rate Regulations (Cont'd)

C. (Cont'd)

The assumed average access minutes as set forth in 1, 2 and 3 preceding apply in the operating area of the Company except when the Company specifies a different number of assumed average access minutes as set forth in E6.7.7. following. When the Company appropriate assumed average access minutes as set forth in E6.7.7. following will be used in lieu of the assumed average access minutes as set forth in 1, 2 and 3 preceding in that Company's operating area to determine the Carrier Common Line Charges for the Switched Access Service involved.

D. Reserved for Future Use

(C)
(D)

(D)

ACCESS SERVICE TARIFF

Embarq Florida, *Inc.*
d/b/a CenturyLink
By: F.B. Poag, Director

Second Revised Page 15 (T)
Cancels First Revised Page 15

Effective: July 2, 2013

E3. CARRIER COMMON LINE ACCESS

E3.7 Rate Regulations (Cont'd)

D. *Reserved for Future Use*

(C)

(D)

(D)

ACCESS SERVICE TARIFF

Embarq Florida, Inc.
d/b/a CenturyLink
BY: Gary L. Kepley, Director

Second Revised Page 2 (T)
Cancels First Revised Page 2

Effective: July 2, 2013

E5. ORDERING OPTIONS FOR SWITCHED AND DEDICATED ACCESS SERVICE

E5.1 General (Cont'd)

E5.1.2 Ordering Conditions

- A. A customer may order any number of services of the same type and between the same locations on a single Access Order. All details for services for a particular order must be identical except for those for multipoint service.
- B. The customer shall provide all information necessary for the Company to provide and bill for the requested service. In addition to the order information required in E5.2 following, the customer must also provide:
 - Customer name and premises address(s).
 - Billing name and address (when different from customer name and address).
 - Customer contact name(s) and telephone number(s) for the following provisioning activities: order negotiation, order confirmation, interactive design, installation and billing.
- C. Orders for Feature Group A Switched Access Service shall be in lines.

Orders for Feature Group B, C, and D Switched Access Service shall be in trunks. In addition, the order must indicate whether the Switched Transport ordered is for Entrance Facilities, Direct-Trunked Transport and/or Tandem-Switched Transport. For Direct-Trunked transport, the order must specify the facility Hubs involved, channel type, channel interface, and any options desired.

(D)
(D)

ACCESS SERVICE TARIFF

Embarq Florida, Inc
d/b/a CenturyLink
BY: Gary L. Kepley, Director

Second Revised Page 7 (T)
Cancels Original Page 7

Effective: July 2, 2013

E5. ORDERING OPTIONS FOR SWITCHED AND DEDICATED ACCESS SERVICE

E5.2 Access Order (Cont'd)

- B. 5. When Switched Access Service is ordered, the trunk quantity may be determined by the customer in the following manner. For each day the customer shall determine the highest number of trunks in use for a single hour. The customer shall, for the same hour period (i.e., busy hour), pick the twenty consecutive business days in a calendar year which add up to the largest number of trunks in use. The customer shall then determine the average busy hour trunks by dividing the largest number of trunks in use figure, for the same hour period, for the twenty consecutive business day period by 20. This computation shall be performed for each end office and/or access tandem the customer wishes to serve. If data to develop a twenty consecutive day period is not available, the customer may use a twenty day period that contains as many consecutive days as is available.

When a customer desires Switched Access Service to an end office that is a remote switching office, the customer must order to the host office which controls the remote switching office since all traffic to and/or from a remote switching office must be routed through the host office.

6. For all Dedicated Access Services, the End User or End User's authorized agent must specify the IC terminal location and End User premises or Hub, the type of service (e.g., Narrowband 1, Voice Grade 3, High Capacity 1, etc.) and the facility interface. When ordering to a Hub, no interface combinations are required but Hub functions must be specified. For multipoint services, the channel interface at each End User premises may be different but all such interfaces shall be compatible.

7. ***Reserved for Future Use***

(C)
(D)
|
(D)

ACCESS SERVICE TARIFF

Embarq Florida, Inc
d/b/a CenturyLink
BY: Gary L. Kepley, Director

Second Revised Page 14
Cancels First Revised Page 14

(T)

Effective: July 2, 2013

E5. ORDERING OPTIONS FOR SWITCHED AND DEDICATED ACCESS SERVICE

E5.2 Access Order (Cont'd)

E5.2.2 Access Order Modifications (Cont'd)

C. If order modifications are necessary to satisfy the transmission performance for a Dedicated Access Service ordered by a customer, these changes will be made without order modification charges being incurred by the End User.

D. Partial Cancellation Charge

1. Any decrease in the number of ordered Dedicated Access Service channels, Switched Access Service Lines, trunks, Dedicated Access, WATS Access Lines or CCS/SS7 port terminations will be treated as a partial cancellation and the charges as set forth in E5.2.3.B. following will apply.

(D)

E. Design Change Charges

1. The IC or End User may request a design change to the service ordered. A design change is any change to an Access Order which requires engineering review. An engineering review is a review by Company personnel of the service ordered and the requested changes to determine what changes in the design, if any, are necessary to meet the changes requested by the IC or End User. Design changes include such things as the addition or deletion of optional features or functions or a change in the type of Transport Termination (Switched Access only), type of channel interface, type of Interface Group or technical specification package. Design changes do not include a change of IC terminal location, End User premises, end office switch, Feature Group type or Dedicated Access Service channel type. Changes of this nature will require the issuance of a new order and the cancellation of the original order with appropriate cancellation charges applied.

ACCESS SERVICE TARIFF

Embarq Florida, Inc
d/b/a CenturyLink
BY: Gary L. Kepley, Director

Second Revised Page 23
Cancels First Revised Page 23

(T)

Effective: July 2, 2013

E5. ORDERING OPTIONS FOR SWITCHED AND DEDICATED ACCESS SERVICE

E5.2 Access Order (Cont'd)

E5.2.5 Minimum Period Charges

- A. When Access Service is discontinued prior to the expiration of the minimum period, charges are applicable for the balance of the minimum period. A disconnect constitutes facilities being returned to available inventory.

The Minimum Period Monthly Charge, for monthly billed services will be determined as follows:

1. For Switched Access Service, the charge for each remaining month and/or fraction thereof is equal to the applicable minimum monthly charge for the capacity as set forth in E6.7.4 following.
2. For Dedicated Access Service, the charge for each remaining month and fraction thereof is the applicable monthly rate for the service as set forth in E7.5 following. The minimum period for existing Dedicated Access Service is not affected by POP relocations.

(D)
|
(D)

E5.2.6 Available Inventory

Available inventory is limited and does not include facilities previously ordered. The Company will make every reasonable effort to maintain sufficient available inventory to provide Access Service in accordance with IC's or End User's requested service date intervals. To the extent that service can be provided, Access Orders will be satisfied from available inventory.

E5.2.7 Switched Access Service to Interconnections

For Feature Groups B and D Switched Access Service provided to a Mobile Telephone Switching Office (MTSO) directly interconnected to a Company access tandem office, the customer shall provide information to the Company indicating the NXX code(s) to be accessed.

ACCESS SERVICE TARIFF

Embarq Florida, Inc.
d/b/a CenturyLink
BY: Gary L. Kepley, Director

Fourth Revised Page 1
Cancels Third Revised Page 1

(T)

Effective: July 2, 2013

E6. SWITCHED ACCESS SERVICE

E6.1 General

Switched Access Service, which is available to customers for their use in furnishing their services to end users, provides a two-point electrical communications path between a customer's premises and an end user's premises. It provides for the use of common terminating, local switching, switched transport facilities, and common subscriber plant of the Company. Switched Access Service provides for the ability to originate calls from an end user's premises to customer's premises, and to terminate calls from a customer's premises to an end user's premises in the LATA where it is provided. Specific references to material describing the elements of Switched Access Service are provided in E6.1.1 and E6.1.3 following.

(D)

Rates and charges for Switched Access Service depend generally on its use by the customer, i.e., for MTS or WATS services, MTS-WATS equivalent services, or other services (e.g., foreign exchange service), and whether it is provided in a Company end office that is equipped to provide equal access (Feature Group D Access, described in E6.1.1.D. following). Rates and charges for Switched Access Service are billed to the customer, except for Carrier Common Line and Switched Access charges associated with Switched Access Services used in the provisioning of Feature Group B type services which will be ordered by and billed directly to the End User of these services, as set forth in E6.8 following.

The application of rates for Switched Access Service is described in E6.7 following. Rates and charges for services other than Switched Access Service, e.g., a customer's interLATA and intraLATA toll message service, may also be applicable when Switched Access Service is used in conjunction with these other services. Descriptions of such applicability are provided in E6.2.1.A.7., E6.2.1.B.4., E6.2.2.A.5., E6.2.3.A.5., E6.2.4.A.4., and E6.7.9 following. Finally, a credit is applied against line side Switched Access Service charges as described in E6.7.10 following.

ACCESS SERVICE TARIFF

Embarq Florida, Inc.
d/b/a CenturyLink
BY: Gary L. Kepley, Director

Second Revised Page 7
Cancels First Revised Page 7

Effective: July 2, 2013

E6. SWITCHED ACCESS SERVICE

E6.1 General (Cont'd)

E6.1.2 WATS Access Line Service

WATS Access Line Service is provided only for use with Feature Groups C and D Switched Access Service. WATS Access Line Service connects an end user premises with a WATS or WATS-type serving office.

One way, inward or outward, "1+" and "0" intraLATA usage carried over **WATS** Access Line Service from this Tariff, having both intrastate and interstate capability (bijurisdictional) or from the Company's Access Service Tariff FCC #1 or other appropriate Local Exchange Carrier (LEC) interstate tariffs, will be completed over LEC facilities at LEC intraLATA WATS/TFC Service rates and subject to rules and regulations applicable to LEC **intrastate** WATS/TFC Services. The "1+" and "0" **intrastate** usage will be billed to the customer where the closed end of the bijurisdictional Dedicated WATS Access Line is terminated. Customer billing information must be provided to the Company at the time the bijurisdictional Dedicated **WATS** Access Line is ordered. Local calling, seven digit access to originating intrastate FGA and FGB Service and use of "700" dialed access is prohibited.

(C)
(C)
(C)
(C)

ACCESS SERVICE TARIFF

Embarq Florida, Inc
d/b/a CenturyLink
BY: Gary L. Kepley, Director

Fourth Revised Page 35 (T)
Cancels Third Revised Page 35

Effective: July 2, 2013

E6. SWITCHED ACCESS SERVICE

E6.1 General (Cont'd)

E6.1.3 Rate Categories (Cont'd)

C. Local Switching (Cont'd)

- (1) Local Switching provides the local end office switching functions associated with the various access (i.e., Feature Group, TFC Access Service, Interim 500 Access Service, and 900 Access Service) switching arrangements and for the termination to the customer lines terminating in the local end office. The Local Switching arrangements provided for the various Feature Group arrangements are described in E6.2 following. (T)
- (2) ***The intercept function informs a caller why a call, as dialed, could not be completed, and if possible, provides the caller with information required to complete the call.*** (C)
- (3) ***The premium charge is divided into two distinct categories, i.e., LS1 and LS2. The first category, LS1, provides local dial switching for Feature Groups A and B when the traffic originates from or terminates at an equal access end office. The second category, LS2, provides local dial switching for Feature Groups C and D.*** (C)
- (4) Included as part of Local Switching are various nonchargeable optional features which the customer can order to meet its specific communications requirements. These optional features are described in E6.3 following. (T)

ACCESS SERVICE TARIFF

Embarq Florida, Inc.
d/b/a CenturyLink
BY: Gary L. Kepley, Director

Second Revised Page 36
Cancels 1st Revised Page 36

(T)

Effective: July 2, 2013

E6. SWITCHED ACCESS SERVICE

E6.1 General (Cont'd)

E6.1.3 Rate Categories (Cont'd)

C. End Office (Cont'd)

2. Line Termination

- a. There are two types of Line Terminations, i.e., Common Line Terminations and Dedicated Access Line Terminations. The Dedicated Access Line Terminations are differentiated by line vs. trunk side terminations.
- b. In addition, there are various types of originating and terminating line side terminations depending on the type of signaling associated with the Dedicated Access Line. Line side terminations are available with either dial pulse or dual tone multifrequency address signalling.

D. **Reserved for Future Use**

(C)

(D)

(D)

ACCESS SERVICE TARIFF

Embarq Florida, Inc.
d/b/a/ CenturyLink
BY: Gary L. Kepley, Director

Second Revised Page 37
Cancels 1st Revised Page 37

(T)

Effective: July 2, 2013

E6. SWITCHED ACCESS SERVICE

E6.1 General (Cont'd)

E6.1.3 Rate Categories (Cont'd)

D. ***Reserved for Future Use***

(C)
(D)

(D)

ACCESS SERVICE TARIFF

Embarq Florida, Inc
d/b/a Centurylink
BY: Gary L. Kepley, Director

Second Revised Page 38.1
Cancels First Revised Page 38.1

(T)

Effective: July 2, 2013

E6. SWITCHED ACCESS SERVICE

E6.1 General (Cont'd)

E6.1.3 Rate Categories (Cont'd)

G. Interim 500 Access Service Nonrecurring Charges

1. The customer charge for the assembly of route tables is assessed for each end office the Company serves in the state. A second nonrecurring charge element applies per NXX activated or deactivated, times the number of Company access tandems or end offices modified to perform six digit screening for 500 Access Service.
2. The route pattern nonrecurring charge applies only once, on the customer's initial request to the Company for 500 Access Service.

H. Zone Density Charges

Zone density charges are applicable only to DS1 and DS3 switched access services (i.e., Entrance Facility, Direct-Trunked Transport, Tandem Switched Transmission, Tandem Switching, and DS1 to Voice and DS3 to DS1 Multiplexing) provided at the Telephone Company designated exchanges set forth in Section 6.7.17 following. Zone density charges are recurring rates that apply each month or fraction thereof that a DS1 or DS3 switched access service is provided. For billing purposes, each month is considered to have 30 days.

(N)

(N)

ACCESS SERVICE TARIFF

Embarq Florida, Inc.
d/b/a CenturyLink
BY: Gary L. Kepley, Director

Third Revised Page 40
Cancels Second Revised Page 40

(T)

Effective: July 2, 2013

E6. SWITCHED ACCESS SERVICE

E6.1 General (Cont'd)

E6.1.6 Acceptance Testing (Cont'd)

B. When the service is provided totally via digital facilities (i.e., digital switch and digital transport), the Company will, at the customer's request and at no additional charge, cooperatively test at the time of installation the following:

- Loss for one circuit per di-group provided
- Operation Signaling for each circuit provided

E6.1.7 Ordering Options and Conditions

The Access Order, as set forth in E5. preceding, is used in the provisioning of Switched Access. Also included in that section are other charges which may be associated with ordering Switched Access Service (e.g., Cancellation Charges, etc.).

E6.2 Provision and Description of Switched Access Service Arrangements

Switched Access Service is provided in four different Feature Group arrangements and as TFC Access Service, 500 Access Service and 900 Access Service. The provision of each service requires Switched Transport facilities and the appropriate End Office functions. In addition, WATS Access Lines may be provided with Feature Groups C and D. WATS Access Line optional features are available in end offices designated as WATS serving offices.

(C)

ACCESS SERVICE TARIFF

Embarq Florida, Inc.
d/b/a CenturyLink
BY: Gary L. Kepley, Director

Second Revised Page 54 (T)
Cancels First Page 54

Effective: July 2, 2013

E6. SWITCHED ACCESS SERVICE

E6.2 Provision and Description of Switched Access Service Arrangements (Cont'd)

E6.2.3 Feature Group C (FGC) (Cont'd)

A. Description (Cont'd)

7. A **WATS** Access Line may, at the option of the customer, be provided for use with FGC Switched Access Service. A **WATS** Access Line provides a connection between a customer's premises and a Company end office switch capable of performing the necessary screening functions for TFC Service, WATS or similar services and is provided only for use at the closed end of such services. (C)
(C)

WATS Access Lines are arranged for either originating calling only or terminating calling only. They are provided with rotary dial or dual tone multifrequency address signaling and either loop start or ground start supervisory signaling. The choice of the type of signaling is at the option of the customer. (C)

WATS Access Lines are provided as either an effective two-wire or effective four-wire transmission path. Each transmission path is provided with Standard Transmission Specifications and Data Transmission Parameters as set forth in E6.4.1.D. and E6.4.2.C. following. (C)

ACCESS SERVICE TARIFF

Embarq Florida, Inc.
d/b/a CenturyLink
BY: Gary L. Kepley, Director

Fourth Revised Page 55 (T)
Cancels Third Revised Page 55

Effective: July 2, 2013

E6. SWITCHED ACCESS SERVICE

E6.2 Provision and Description of Switched Access Service Arrangements (Cont'd)

E6.2.3 Feature Group C (FGC) (Cont'd)

B. Optional Features

1. Local Switching Optional Features

- a. Automatic Number Identification (ANI)
- b. Service Class Routing
- c. Dial Pulse Address Signaling
- d. Revertive Pulse Address Signaling
- e. Delay Dial Start-Pulsing Signaling
- f. Immediate Dial Pulse Address Signaling
- g. Alternate Traffic Routing
- h. Trunk Access Limitation
- i. End Office Customer Line Service Screening for use with **WATS** Access line Service (C)
- j. Hunt Group Arrangement for use with **WATS** Access Line Service (C)
- k. Nonhunting Number for use with Hunt Group Arrangement or Uniform Call Distribution (UCD) Arrangement for use with **WATS** Access Line Service (C)
- l. Uniform Call Distribution Arrangement for use with **WATS** Access Line Service (C)
- m. Band Advance Arrangement for use with **WATS** Access Line Service (C)
- n. Multifrequency Address Signaling
- o. Operator Trunks-i.e., Pay Telephone (Pay trunks are provided only at Telephone Company electronic and offices and other Telephone Company end offices where equipment is available.)

2. Switched Transport Optional Features

- a. Supervisory Signaling.
- b. Data Transmission Parameters
- c. Supervisory Signaling

3. WATSAccess Lines

E&M Supervisory Signaling

ACCESS SERVICE TARIFF

Embarq Florida, Inc.
d/b/a CenturyLink
BY: Gary L. Kepley, Director

Third Revised Page 59
Cancels Second Revised Page 59

(T)

Effective: July 2, 2013

E6. SWITCHED ACCESS SERVICE

E6.2 Provision and Description of Switched Access Service Arrangements (Cont'd)

E6.2.4 Feature Group D (FGD) (Cont'd)

A. Description (Cont'd)

6. The access code for FGD switching is a uniform access code of the form 101XXXX. A single access code will be the assigned number of all FGD access provided to the customer by the Company. No access code is required for calls to a customer over FGD Switched Access Service if the end user's telephone exchange service is arranged for presubscription to that customer as set forth in E13. following. Where no access code is required, the number dialed by the customer's end user shall be a seven or ten digit number for calls in the North American Numbering Plan (NANP). The form of the numbers dialed by the customer's end user is NXX-XXXX, 0 or 1 + NXX-XXXX, NPA + NXX-XXXX, 0 or 1 + NPA + NXX-XXXX.

Where facilities permit, the customer's operator can be reached by dialing 00.

When the 101XXXX access code is used, FGD switching also provides for dialing the digit 0 for access to the customer's operator, 911 for access to the Company's emergency reporting service, or the end-of-dialing digit (#) for cut-through access to the customer's premises.

7. FGD Switching will be arranged to accept calls from telephone exchange service locations without the need for dialing 101XXXX uniform access code. Each telephone exchange service line will be marked with a presubscription code to identify which 101XXXX code its calls will be directed to for intrastate service. Presubscription codes are applied as set forth in E13. following. (Z)
8. A **WATS** Access Line may, at the option of the customer, be provided for use with FGD Switched Access Service. A **WATS** Access Line provides a connection between a customer's end user's premises and a Company end office switch capable of performing the necessary screening functions for TFC Service, WATS or similar services and is provided only for use at the closed end of such services. (C)
(C)

ACCESS SERVICE TARIFF

Embarq Florida, Inc.
d/b/a CenturyLink
BY: Gary L. Kepley, Director

Second Revised Page 60 (T)
Cancels First Revised Page 60

Effective: July 2, 2013

E6. SWITCHED ACCESS SERVICE

E6.2 Provision and Description of Switched Access Service Arrangements (Cont'd)

E6.2.4 Feature Group D (FGD) (Cont'd)

A. Description (Cont'd)

8. (Cont'd)

WATS Access Lines are arranged for either originating calling only or terminating calling only. They are provided with rotary dial or dual tone multifrequency address signaling and either loop start or ground start supervisory signaling. The choice of the type of signaling is at the option of the customer. (T)

WATS Access Lines are provided as either an effective two-wire or effective four-wire transmission path. Each transmission path is provided with Standard Transmission Specifications and Data Transmission Parameters as set forth in E6.4.1.D. and E6.4.2.C. following. (T)

9. For FGD Switched Access Service provided to a **Wireless Switching Center (WSC)** directly interconnected to a Company access tandem office, the IC will be billed the local transport premium rate element only for the FGD usage. Local transport as it applies to interconnecting to a WSC is defined as that portion of the connection between the IC's Point of Presence and the Company's access tandem. Charges for the portion of the connection between the Company's access tandem and the **WSC** are covered by the General Exchange Tariff or specific contracts and are billed to the **Wireless** Service Provider. (T)
(T)

10. When a customer has had FGB access in an end office and subsequently replaces the FGB access with FGD access, at the mutual agreement of the customer and the Company, the Company will, for 90 days, direct calls dialed by the customer's end users using the customer's previous FGB access code to the customer's FGD access service. The customer must be prepared to handle normally dialed FGD calls as well as calls dialed with the FGB access code which require the customer to receive additional address signaling from the end user. Such calls will be rated as FGD.

ACCESS SERVICE TARIFF

Embarq Florida, Inc. *d/b/a CenturyLink*
BY: Gary L. Kepley, Director

Fourth Revised Page 61
Cancels Third Revised Page 61

(T)

Effective: July 2, 2013

E6. SWITCHED ACCESS SERVICE

E6.2 Provision and Description of Switched Access Service Arrangements (Cont'd)

E6.2.4 Feature Group D (FGD) (Cont'd)

B. Optional Features

1. Local Switching Optional Features

- a. Automatic Number Identification (ANI)
- b. Service Class Routing
- c. Alternate Traffic Routing
- d. Call Gapping Arrangement
- e. Trunk Access Limitation
- f. End Office End User Line Service Screening for use with **WATS** Access Line Service Hunt Group Arrangement for use with **WATS** Access Line Service. (T)
- g. Hunt Group Arrangement for use with **WATS** Access Line Service (T)
- h. Nonhunting Number for use with Hunt Group Arrangement or Uniform Call Distribution (UCD) Arrangement for use with **WATS** Access Line Service (T)
- i. Uniform Call Distribution Arrangement for use with **WATS** Access Line Service (T)
- j. Band Advance Arrangement for use with **WATS** Access Line Service (T)
- k. Flexible Automatic Number Identification (Flex ANI)
- l. Multifrequency Address Signaling
- m. Signaling System 7 (SS7) Signaling
- n. Calling Party Number (CPN) Parameter
- o. Carrier Selection Parameter (CSP)
- p. Clear Channel Capability
- q. Cut-through
- r. Charge Number (CN)
- s. Operator Trunk, Full Feature Arrangement (T)

2. Switched Transport Optional Features (Z)

- a. Supervisory Signaling
- b. Data Transmission Parameters
- c. Provision of Other Than Telephone Company Selected Traffic Routing

ACCESS SERVICE TARIFF

Embarq Florida, Inc.
d/b/a CenturyLink
BY: Gary L. Kepley, Director

Third Revised Page 62
Cancels Second Revised Page 62

(T)

Effective: July 2, 2013

E6. SWITCHED ACCESS SERVICE

E6.2 Provision and Description of Switched Access Service Arrangements (Cont'd)

E6.2.4 Feature Group D (FGD) (Cont'd)

B. Optional Features (Cont'd)

3. WATS Access Line

(T)

E&M Supervisory Signaling

C. Transmission Specifications

1. FGD is provided with either Type A, Type B or Type C Transmission Specifications as follows:

a. When routed directly to the end office either Type B or Type C is provided.

b. When routed to an access tandem, only Type A is provided.

c. Type A is provided on the transmission path from the access tandem to the end office.

2. Type C Transmission Specifications are provided with Interface Group 1. Type A and Type B Transmission Performances are provided with Interface Groups 2, 6 and 9.

3. Type DA Data Transmission Parameters are provided for the transmission path between the customer's premises and the access tandem and between the access tandem and the end office. Type DB Data Transmission Parameters are provided with FGD for the transmission path between the customer's premises and the end office when directly routed to the end office.

ACCESS SERVICE TARIFF

Embarq Florida, Inc
d/b/a CenturyLink
BY: Gary L. Kepley, Director

Fifth Revised Page 70.7
Cancels Fourth Revised Page 70.7
Effective: July 2, 2013

(T)

E6. SWITCHED ACCESS SERVICE

E6.2 Provision and Description of Switched Access Service Arrangements (Cont'd)

E6.2.8 OptiPoint Services (Cont'd)

A. Basic Service Description (Cont'd)

1. Entrance Facilities (Cont'd)

c. (Cont'd)

- (iii) Up to sixteen concatenated OC3c channels that are STS3c mapped;
- (iv) From one to three OC3c channels that are STS3c mapped, mixed with from 39 to 45 STS1 channels subject to utilization of the total OC48 capacity;
- (v) From one to three OC12c channels that are STS12c mapped, mixed with from four to twelve OC3 channels subject to utilization of the total OC48 capacity.

Current SONET standards do not provide for asynchronous DS3 to DS1 multiplexing. An STS1 channel may be mapped for either one DS3 or 28 DS1s. However, DS1s within a DS3 are not accessible within the SONET architecture, and their performance cannot be guaranteed for this reason. When the customer requests that an OC3, OC12, OC48 or OC192 service be configured with a combination of DS3 and DS1 channels, a DS3 to DS1 multiplexing arrangement, as set forth in 6.1.3(B)(8) preceding **and E19.4.1(D)(1)(b)** will be required. (C)

Upon ordering OptiPoint service, the customer is responsible for identifying the STS signal configuration. This information is used in determining the route and connection in the network. If a new configuration is requested subsequent to the initial activation, a Service Reconfiguration Charge will apply on a per service basis, as set forth in Sections E6.8.2 D.7 **and E19.4.1(D)(5)**. The service reconfiguration charge is in addition to all applicable configuration node and configuration card charges associated with the new configuration. (C)
(C)

ACCESS SERVICE TARIFF

Embarq Florida, Inc
d/b/a CenturyLink
BY: Gary L. Kepley, Director

Third Revised Page 70.14
Cancels Second Revised Page 70.14

(T)

Effective: July 2, 2013

E6. SWITCHED ACCESS SERVICE

E6.2 Provision and Description of Switched Access Service Arrangements (Cont'd)

E6.2.8 OptiPoint Services (Cont'd)

B. Regulations

The rates and charges for OptiPoint services are set forth in Section E6.8.2 following and are in addition to any applicable rates and charges set forth in any other sections of this tariff. Nonrecurring charges and monthly recurring rates applicable for OptiPoint service are billed in advance. A nonrecurring service upgrade charge as described in Section E6.7.1A.3 following may also apply to OptiPoint services.

1. Nonrecurring charges are one-time charges that apply for a specific work activity (i.e., installation of service) and are developed at full cost recovery on labor hours per labor time basis. For customers who elect the one year commitment period the nonrecurring charge will apply for the installation of the service. However, if at the end of the one year commitment period the customer elects to renew their one year commitment plan, a nonrecurring charge will not apply for the renewal.
2. Monthly recurring charges are flat recurring rates that apply each month or fraction thereof that a specific rate element is provided regardless of the amount of usage. For billing purposes, each month is considered to have 30 days.
3. OptiPoint service is available for minimum commitment periods of **one**, three or five years. If the customer requests that service be discontinued prior to the expiration of the one, three or five year minimum commitment period, a 50% penalty will be assessed for the remaining months of the term. For example, if a customer who has selected the three year option terminates service in month 12, they will be charged 50% of the remaining 24 months of billing. Additionally, customers may discontinue service, without penalty, should the monthly recurring rates increase by 10% or more at any one time. If the customer does not specify renewal terms in writing 90 days prior to the expiration of the one, three or five year service period, the commitment period and OptiPoint rates in effect at the time of expiration will automatically renew. The customer can terminate OptiPoint service at the end of the minimum commitment period with no penalty or obligation to continue the service.

(T)

E6. SWITCHED ACCESS SERVICE

E6.3 Local Switching Optional Features

Following are descriptions of various optional features that are available in lieu of, or in addition to, the standard features provided with the Feature Groups.

A. Call Denial on Line or Hunt Group

This option allows for the screening of terminating calls within the LATA and for completion only of calls to 411, 611, 911, TFC, 555-1212, and a Company specified set of NXXs within the local exchange calling area of the dial tone office in which the arrangement is provided. All other "toll" calls are routed to a reorder tone or recorded announcement. This feature is provided in all Company electronic end offices. It is available with Feature Group A.

B. Service Code Denial on Line or Hunt Group

This option allows for the screening of terminating calls within the LATA and for disallowing completion of calls to 0- 555 and N11 (e.g., 411, 611 and 911). This feature is provided where available in all Company electronic end offices. It is available with Feature Group A.

C. Hunt Group Arrangement

This option provides the ability to sequentially access one of two or more line side connections in the originating direction, when the access code of the line group is dialed. This feature is provided in all Company end offices. It is available with Feature Group A. FGA services with different methods or providing off-hook supervisory signaling (i.e., provided by customer's equipment vs. forwarded by customers equipment when the called party answers) cannot be mixed in the same hunt group.

D. Reserved for Future Use

(C)
(D)
|
(D)

ACCESS SERVICE TARIFF

Embarq Florida, Inc.
d/b/a CenturyLink
BY: Gary L. Kepley, Director

Sixth Revised Page 77
Cancels Fifth Revised Page 77

(T)

Effective: July 2, 2013

E6. SWITCHED ACCESS SERVICE

E6.3 Local Switching Optional Features (Cont'd)

O. Trunk Access Limitation

This option provides for the routing of originating 500, 600, 700, TFC or 900 service calls to a specified number of transmission paths in a trunk group, in order to limit (choke) the completion of such traffic to the customer. Calls to the designated service which could not be completed over the subset of transmission paths in the trunk group, i.e., the choked calls, would be routed to reorder tone. It is provided in all Company electronic end offices. It is available with Feature Groups C and D.

P. Call Gapping Arrangement

This option, provided in suitably equipped end office switches, provides for the routing of originating calls to 101XXXX or service codes 500, 600, 700, TFC or 900 Service to be switched in the end office to all transmission paths in a trunk group at a prescribed rate of flow, e.g., one call every five seconds, in order to limit (choke) the completion of such traffic to the customer. Calls to the designated service which are denied access by this feature, i.e., the choked calls, would be routed to a no circuit announcement. It is provided in selected Feature Group D equipped end offices and is available only with Feature Group D.

Q. Band Advance Arrangement for use with **WATS** Access Line Service

This option, which is provided in association with two or more **WATS** Access Line Service groups, provides for the automatic overflow of terminating calls to a **WATS** group, when that group has exceeded its call capacity, to another **WATS** group with a band designation equal to or greater than that of the overflowing **WATS** group. This arrangement does not provide for call overflow from a group with a higher band designation to one with a lower one. This option is available with Feature Groups C and D.

(T)

(T)

ACCESS SERVICE TARIFF

Embarq Florida, Inc.
d/b/a CenturyLink
BY: Gary L. Kepley, Director

Fifth Revised Page 78 (T)
Cancels Fourth Revised Page 78

Effective: July 2, 2013

E6. SWITCHED ACCESS SERVICE

E6.3 Local Switching Optional Features (Cont'd)

- R. End Office End User Line Service Screening for use with **WATS** Access Line Service (T)

This option provides the ability to verify that an end user has dialed a called party address (by screening the called NPA and/or NXX on the basis of geographical bands selected by the Company) which is in accordance with that end user's service agreement with the customer, i.e., WATS. This option is provided in all Company electronic end offices and, where available, in non-equal access electronic end offices in which Dedicated Access Line Service is provided. All blocked calls will be routed to announcement recording. It is available with Feature Groups C and D. The Company will prohibit 101XXXX dialing with the standard arrangement when requested by the customer

- S. Hunt Group Arrangement for use with **WATS** Access Line Service (T)

This option provides the ability to sequentially access one of two or more **WATS** Access Line Services (e.g., TFC Service access lines) in the terminating direction, when the hunting number of the **WATS** Access Line Service group is forwarded from the customer to the Company. It is available with Feature Groups C and D. This feature is provided in all Company end offices in which Dedicated Access Line Service is provided. (T)

- T. Uniform Call Distribution Arrangement for use with **WATS** Access Line Service (T)

This option provides a type of multiline hunting arrangement which provides for an even distribution of terminating calls among the available **WATS** Access Line Services in the hunt group. Where available, this feature is only provided in Company electronic end offices in which **WATS** Access Line Service is provided. It is available with Feature Groups C and D. (T)

ACCESS SERVICE TARIFF

Embarq Florida, Inc.
d/b/a CenturyLink
BY: Gary L. Kepley, Director

Fifth Revised Page 79 (T)
Cancels Fourth Revised Page 79

Effective: July 2, 2013

E6. SWITCHED ACCESS SERVICE

E6.3 Local Switching Optional Features (Cont'd)

- U. Nonhunting Number for use with Hunt Group Arrangement or Uniform Call Distribution Arrangement for use with **WATS** Access Line Service. (T)

This option provides an arrangement for an individual **WATS** Access Line Service within a multiline hunt or uniform call distribution group that provides access to that **WATS** Access Line Service within the hunt or uniform call distribution group when it is idle or provides busy tone when it is busy, when the nonhunting number is dialed. Where available, this feature is only provided in Company electronic end offices in which **WATS** Access Line Service is provided. This option is available with Feature Groups C and D. (T)
(T)

- V. Enhanced Call Denial on Line or Hunt Group

This option allows for the screening of terminating FGA calls for the completion of calls within the LATA of the dial tone office in which the arrangement is provided. Calls will be completed to 411, 611, 911, TFC, 555-1212, and NXX's within the LATA of the dial tone office in which the arrangement is provided. Calls will not be completed to 950-0XXX, 950-1XXX, 10XXX, interLATA operator assistance (0+, 00-), operator assistance (0-), 1+interLATA, 0/1+900, 011+900. This feature is provided in all Company electronic end offices and is only available with FGA.

ACCESS SERVICE TARIFF

Embarq Florida, Inc.
d/b/a CenturyLink
BY: Gary L. Kepley, Director

Third Revised Page 85
Cancels Second Revised Page 85

(T)

Effective: July 2, 2013

E6. SWITCHED ACCESS SERVICE

E6.4 Service Provisioning

Each Switched Access Service transmission path is provided with standard transmission specifications. There are three different standard specifications (Types A, B and C). The standard for a particular transmission path is dependent on the Feature Group, the Interface Group and whether the service is directly routed or via an access tandem. In addition, the **WATS** Access Line is provided with standard transmission specifications for two-wire and four-wire. The available transmission specifications are set forth in E6.4.1 following. Data Transmission Parameters are also provided with each Switched Access Service transmission path and Dedicated Access Line. The Company will, upon notification by the customer that the data parameters set forth in E6.4.2.A., B., or C. are not being met, conduct tests independently or in cooperation with the customer, and take any necessary action to insure that the data parameters are met.

(T)

The Company will maintain existing transmission specifications on functioning service configurations installed prior to the effective date of this Tariff except that service configurations having performance specifications exceeding the standards listed in this provision will be maintained at performance levels specified in this Tariff.

The transmission specifications contained in this Section are immediate action limits. Acceptance limits are set forth in Technical Reference Publication GR-3334. This Technical Reference Publication also provides the basis for determining Switched Access Service maintenance limits.

E6.4.1 Standard Transmission Specifications

Following are descriptions of the three Standard Transmission Specifications available with Switched Access Service Arrangements and the two Standard Transmission Specifications for Dedicated Access Lines. The specific applications in terms of the Service Arrangement and Interface Groups with which the Service Arrangement Standard Transmission Specifications are provided are set forth in E6.2.1.C., E6.2.2.C., E6.2.3.C., E6.2.4.C., E6.2.5.B., and E6.2.6.B preceding.

ACCESS SERVICE TARIFF

Embarq Florida, Inc.
d/b/a CenturyLink
BY: Gary L. Kepley, Director

Second Revised Page 91 (T)
Cancels First Revised Page 91

Effective: July 2, 2013

E6. SWITCHED ACCESS SERVICE

E6.4 Service Provisioning(Cont'd)

E6.4.1 Standard Transmission Specifications (Cont'd)

C. Type C Transmission Specifications (Cont'd)

5. Echo Control

Echo Control, identified as Return Loss and expressed as Echo Return Loss and Singing Return Loss, is dependent on the routing, i.e., whether the service is routed directly from the customer's Point of Termination (POT) to the end office or via an access tandem. It is equal to or greater than the following:

<u>Routing Configuration</u>	<u>Echo Return Loss</u>	<u>Singing Return Loss</u>
POT to Access Tandem	13 dB	6 dB
POT to End Office		
- Direct	13 dB	6 dB
- Via Access Tandem (For FGB Only)	8 dB	4 dB

D. **WATS** Access Line Standard Transmission Specifications (T)

1. Standard Two-Wire Voice Transmission Specifications (Cont'd)

a. Loss Deviation

The maximum Loss Deviation of the 1004 Hx loss relative to the Expected Measured Loss (EML) is =4.0 dB.

b. Attenuation Distortion

The maximum Attenuation Distortion in the 404 to 2804 Hx frequency band relative to the loss at 1004 Hx is -3.0 dB to +9.0 dB.

ACCESS SERVICE TARIFF

Embarq Florida, Inc.
d/b/a CenturyLink
BY: Gary L. Kepley, Director

Second Revised Page 92
Cancels First Revised Page 92 (T)

Effective: July 2, 2013

E6. SWITCHED ACCESS SERVICE

E6.4 Service Provisioning(Cont'd)

E6.4.1 Standard Transmission Specifications (Cont'd)

D. WATS Access Line Standard Transmission Specifications (Cont'd) (T)

1. Standard Two-Wire Voice Transmission Specifications (Cont'd)

c. C-Message Noise

The maximum C-Message Noise for the transmission path at the route miles listed is less than:

<u>Route Miles</u>	<u>C-Message Noise</u>
less than 50	35 dBrnCO
51 to 100	37 dBrnCO
101 to 200	40 dBrnCO
201 to 400	43 dBrnCO
401 to 1000	45 dBrnCO

d. Echo Control

Return Loss for both Echo Return Loss (ERL) and Singing Return Loss (SRL), is equal to or greater than:

ERL	6.0 dB
SRL	3.0 dB

2. Standard Four-Wire Voice Transmission Specifications

a. Loss Deviation

The maximum Loss Deviation of the 1004 Hz loss relative to the Expected Measured Loss (EML) is -3.0 dB to +3.0 dB.

b. Attenuation Distortion

The maximum Attenuation Distortion in the 404 to 2804 Hz frequency band relative to loss at 1004 Hz is -1.0 dB to +4.5 dB.

ACCESS SERVICE TARIFF

Embarq Florida, Inc.
d/b/a CenturyLink
BY: Gary L. Kepley, Director

Second Revised Page 93
Cancels First Revised Page 93 (T)

Effective: July 2, 2013

E6. SWITCHED ACCESS SERVICE

E6.4 Service Provisioning(Cont'd)

E6.4.1 Standard Transmission Specifications (Cont'd)

D. **WATS** Access Line Standard Transmission Specifications (Cont'd) (T)

2. Standard Four-Wire Voice Transmission Specifications (Cont'd)

c. C-Message Noise

The Maximum C-Message Noise for the transmission path at the route miles listed is less than:

<u>Route Miles</u>	<u>C-Message Noise</u>
less than 50	35 dBrnCO
51 to 100	37 dBrnCO
101 to 200	40 dBrnCO
201 to 400	43 dBrnCO
401 to 1000	45 dBrnCO

d. Echo Control

The Equal Level Echo Path Loss for both Echo Return Loss (ERL) and Singing Return Loss (SRL), is equal to or greater than:

ERL	15.0 dB
SRL	9.0 dB

E6.4.2 Data Transmission Parameters

Two types of Data Transmission Parameters, i.e., Type DA and Type DB, are provided for Feature Group arrangements. The specific applications in terms of Feature Groups with which they are provided are set forth in E6.2.1.C., E6.2.2.C., E6.2.3.C. and E6.2.4.C. preceding. In addition, **WATS** Access Lines are provided with Data Transmission Parameters. Following are descriptions of each. (T)

ACCESS SERVICE TARIFF

Embarq Florida, Inc.
d/b/a CenturyLink
BY: Gary L. Kepley, Director

Second Revised Page 96
Cancels First Revised Page 96 (T)

Effective: July 2, 2013

E6. SWITCHED ACCESS SERVICE

E6.4 Service Provisioning(Cont'd)

E6.4.2 Data Transmission Parameters (Cont'd)

C. **WATS** Access Line Data Transmission Parameters (T)

1. Signal to C-Notched Noise Ratio

The maximum Signal-to-C-Notched Noise Ratio is 30 dB.

2. Envelope Delay Distortion

The maximum Envelope Delay Distortion for the frequency bands specified is:

1000 microseconds	604 to 2804 Hz
500 microseconds	1000 to 2404 Hz

3. Impulse Noise Counts

The Impulse Noise Counts exceeding a 67 dB_{rnCO} threshold in 15 minutes is no more than 15 counts.

4. Intermodulation Distortion

The Third Order (R2) and Fourth Order (R3) Intermodulation Distortion products are equal to or greater than:

Third Order (R2)	31 dB
Fourth Order (R3)	34 dB

5. Phase Jitter

The Phase Jitter over the 4 to 300 Hz frequency band is less than or equal to 7 peak-to-peak.

6. Frequency Shift

The maximum Frequency Shift does not exceed -2 to +2 Hz.

ACCESS SERVICE TARIFF

Embarq Florida, Inc.
d/b/a CenturyLink
BY: Gary L. Kepley, Director

Third Revised Page 104
Cancels Second Revised Page 104

(T)

Effective: July 2, 2013

E6. SWITCHED ACCESS SERVICE

E6.6 Obligations of the Customer

E6.6.1 Report Requirements (Cont'd)

A. (Cont')

4. TFC/500/900 NXX Code Trouble Reporting

When ordering TFC Access Service, Interim 500 Access Service, or 900 Access Service, the customer will reserve and assign within their network the TFC/500/900 NXX-0000 as a trouble reporting number(s). The Company will use this number(s) to assure the customer that originating TFC/500/900 Access Service trouble reports are being reported to their trouble reporting centers.

5. TFC/500/900 Access Service NXX Codes

- a. All 500/900 NXX Code assignments and administration shall be in accordance with the North American Numbering Plan (NANP)
- b. When ordering Interim 500 Access Service or 900 Access Service, NXX Codes to be activated and NXX Codes to be deactivated must be provided to the Company at least 30 calendar days prior to the effective date of the change. Customer assigned codes, for which an order has not been received, will be blocked. When Interim 500 Access Service or 900 Access Service intrastate traffic is terminated on a switched access line, the customer must notify the Company of all local exchange telephone numbers to which 500/900 Access Service traffic is designated so that the Company can balance the end office in accordance with standard Company engineering practices for heavy volume lines.

(C)

Effective: July 2, 2013

E6. SWITCHED ACCESS SERVICE

E6.6 Obligations of the Customer (Cont'd)

E6.6.2 Supervisory Signaling

The customer facilities shall provide the necessary on and off-hook, answer, and disconnect supervision.

E6.6.3 Trunk Group Measurements Report

With the agreement of the customer, trunk group data in the form of usage in CCS, peg count and overflow for its end of all access trunk groups, where technologically feasible, will be made available to the Company. These data will be used to monitor trunk group utilization and service performance and will be based on previously arranged intervals and format.

E6.6.4 Design of Switched Access Services

When a customer orders Switched Access Service on a per line or trunk basis, it is the customer's responsibility to assure that sufficient access service facility quantities have been ordered to handle its traffic.

E6.7 Rate Regulations

This section contains the specific regulations governing the rates and charges that apply for Switched Access Service.

E6.7.1 Description and Application of Rates and Charges

- A. There are **four** types of rates and charges that apply to Switched Access Service. These are monthly recurring rates, including fixed and per mile, usage rates, nonrecurring charges **and zone density charges**. These rates and charges are applied differently to the various rate elements as set forth following. (C)

1. Monthly Rates

Monthly rates are flat recurring rates that apply each month or fraction thereof that a specific rate element is provided regardless of the amount of usage. Monthly rates may be either distance sensitive (per mile) or non-distance sensitive (fixed). For billing purposes each month is considered to have 30 days. (C)

ACCESS SERVICE TARIFF

Embarq Florida, Inc
d/b/a CenturyLink
BY: Gary L. Kepley, Director

Second Revised Page 112.1
Cancels First Revised Page 112.1

(T)

Effective: July 2, 2013

E6. SWITCHED ACCESS SERVICE

E6.7 Rate Regulations (Cont'd)

E6.7.1 Description and Application of Rates and Charges (Cont'd)

A. (Cont'd)

3. Nonrecurring Charges (Cont'd)

g. Interim 500 Access Service

A nonrecurring charge as specified in 6.8.7 following applies each time a change is made which involves the addition or deletion of 500 NXX codes to be routed to the customer. The charge is assessed per 500 NXX code added or deleted for each Company end office switch or access tandem in which translation changes are required. This charge applies to the initial loading of one or more 500 NXX codes required to establish service for the customer, and to any subsequent changes (i.e., additions or deletions) to those codes. There is also an Assembly of Route Pattern nonrecurring charge which applies once for each Company end office, but only on the customer's initial request to the Company for Interim 500 Access Service.

4. Zone Density Charges

Zone density charges are applicable only to DS1, DS3 and OptiPoint switched access services (i.e., Entrance Facility, Direct-Trunked Transport, Tandem Switching and related Multiplexing) provided at the Telephone Company designated exchanges set forth in Section 6.7.18 following. Zone density charges are recurring rates that apply each month or fraction thereof that the affected switched access service is provided. For billing purposes, each month is considered to have 30 days.

(N)

(N)

ACCESS SERVICE TARIFF

Embarq Florida, Inc.
d/b/a CenturyLink
By: Gary L. Kepley, Director

Fourth Revised Page 133
Cancels Third Revised Page 133

(T)

Effective: July 2, 2013

E6. SWITCHED ACCESS SERVICE

E6.7 Rate Regulations (Cont'd)

E6.7.13 Application of Rates (Cont'd)

E. (Cont'd)

2. Factor 1 is multiplied by 100% to calculate the weighted premium rate percentage.
3. Factor 2 is multiplied by 65% (100%-35%) to calculate the weighted transitional rate percentage.
4. The two resulting weighted percentages are then added together and multiplied by the premium rate to determine the effective rate level to be applied to all access minutes that originate or terminate in an EAEA.
5. The number of subscriber lines as required in 3.a preceding will be provided to the billing entity, to be received no later than 15 days after the first of each month. The billing entity will assume the number of lines to be unchanged if no report is received by the 15th of each month. The billing entity will use the most recent calendar month data available when making the calculations set forth in 3.a preceding.

E6.7.14 Shared Use

Shared Use occurs when Switched Access Service and WATSAccess Service are provided over the same analog or digital high capacity service through a common interface. The regulations governing the provision of Shared Use Facilities are set forth in E7. following.

E6.7.15 Zone Density Plan

The Zone Density Plan is applicable only to DS1, DS3, STS1, OC3, OC12 and OC48 Entrance Facilities, Direct-Trunked Transport, Tandem Switched Transmission, Tandem Switching, DS1 to Voice Multiplexing, DS3 to DS1 Multiplexing, STS1/DS1 Multiplexing and OptiPoint configuration node and configuration card services as set forth in E6.1.3 **H** preceding.

(Z)

ACCESS SERVICE TARIFF

Embarq Florida, Inc.
d/b/a CenturyLink
 By: Gary L. Kepley, Director

Eighth Revised Page 135
 Cancels Seventh Revised Page 135

(T)

Effective: July 2, 2013

E6. SWITCHED ACCESS SERVICE

E6.8 Rates and Charges

NOTE: See Sections 19 for Orlando and Tallahassee MSA's under Price Flexibility.

E6.8.1 Reserved for Future Use

E6.8.2 Switched Transport

A. Entrance Facility

1. Voice Grade

	<u>Monthly Rates</u>	<u>Nonrecurring Charge</u>	
- Two Wire*	\$75.00 (N)	\$150.00 (N)	(N)
- Four Wire*	\$97.25 (I)	\$150.00 (I)	(C)

2. DS1 – Per DS1

	<u>Monthly Rates</u>			<u>Nonrecurring Installation Charge</u>	
	Within CO	0 – 3 Miles	Over 3 Miles		
Zone 1*	\$99.00 (R)	\$99.00 (R)	\$99.00 (R)	\$360.00	(T)
Zone 2*	\$115.00 (R)	\$115.00 (R)	\$115.00 (R)	\$360.00	(C)
Zone 3*	\$130.00 (R)	\$130.00 (R)	\$130.00 (R)	\$360.00	(C)

3. DS3 – Per Point of Termination

	<u>Monthly Rates</u>			<u>Nonrecurring</u>		
	Within CO	0 – 3 Miles	Over 3 Miles	Installation Charge	Rearrangement Charge	
Zone 1*	\$480.00 (R)	\$800.00 (R)	\$1,250.00 (R)	\$400.00 (I)	\$200.00 (N)	(C)
Zone 2*	\$500.00 (R)	\$820.00 (R)	\$1,275.00 (R)	\$400.00 (I)	\$200.00 (N)	(C)
Zone 3*	\$520.00 (R)	\$840.30 (R)	\$1,330.00 (R)	\$400.00 (I)	\$200.00 (N)	(C)

4. OptiPoint-3 with Telephone Company Provided Terminal Equipment

a. 1 Year Commitment Rates
 - Per Point of Termination

	<u>Monthly Rates</u>			<u>Nonrecurring Charge</u>
	Within CO	0-3 Miles	Over 3 Miles	
Zone 1*	\$1,500.00	\$2,268.00	\$3,666.00	\$4,280.00
Zone 2*	1,560.00	2,334.00	3,870.00	4,280.00
Zone 3	1,866.00	2,400.00	3,930.00	4,280.00

b. 3 Year Commitment Rates
 - Per Point of Termination

Zone 1*	\$1,250.00	\$1,890.00	\$3,055.00
Zone 2*	1,350.00	1,945.00	3,225.00
Zone 3*	1,555.00	2,000.00	3,275.00

c. 5 Year Commitment Rates
 - Per Point of Termination

Zone 1*	\$1,150.00	\$1,700.00	\$2,750.00
Zone 2*	1,250.00	1,750.00	2,900.00
Zone 3*	1,400.00	1,800.00	2,950.00

* See Section E19 for Orlando and Tallahassee MSA Price Flexibility rates.

(N)

ACCESS SERVICE TARIFF

Embarq Florida, Inc.
By: F. B. Poag, Director

Fourth Revised Page 135.3
Cancels Third Revised Page 135.3

Effective: July 2, 2013

E6. SWITCHED ACCESS SERVICE

E6.8 Rates and Charges (Cont'd)

E6.8.2 Switched Transport (Cont'd)

A. Entrance Facility (Cont'd)

	Monthly Rates		
	Within <u>CO</u>	0-3 <u>Miles</u>	Over 3 <u>Miles</u>

9. OptiPoint-48
without Telephone Company
Provided Terminal Equipment

a. 3 Year Commitment Rates
- Per Point of Termination

Zone 1	\$3,100.00 (R)	\$4,600.00	\$8,900.00	(C)
Zone 2	3,150.00	4,800.00	9,200.00	
Zone 3	3,300.00	5,000.00	9,600.00	

b. 5 Year Commitment Rates
- Per Point of Termination

Zone 1	\$2,800.00	\$4,200.00	\$8,500.00
Zone 2	2,850.00	4,400.00	8,900.00
Zone 3	3,000.00	4,600.00	9,300.00

10. OptiPoint-192 with Telephone
Company Provided Terminal Equipment

a. 3 Year Commitment Rates
- Per Point of Termination

Zone 1	\$13,008.00	\$17,620.00	\$27,040.00
Zone 2	14,050.00	19,030.00	29,205.00
Zone 3	15,175.00	20,550.00	31,535.00

b. 5 Year Commitment Rates
- Per Point of Termination

Zone 1	\$11,825.00	\$16,020.00	\$24,580.00	
Zone 2	12,770.00	17,300.00	26,550.00	
Zone 3	13,790.00 (R)	18,685.00	28,675.00	(C)

(D)

ACCESS SERVICE TARIFF

Embarq Florida, Inc.
d/b/a CenturyLink
 By: Gary L. Kepley, Director

Fifth Revised Page 136
 Cancels Fourth Revised Page 136

(T)

Effective: July 2, 2013

E6. SWITCHED ACCESS SERVICE

E6.8 Rates and Charges (Cont'd)

E6.8.2 Switched Transport (Cont'd)

B. Direct-Trunked Transport

	<u>Monthly Rates</u>		Nonrecurring Charge
	<u>Termination (Fixed)</u>	<u>Facility (Per Mile)</u>	
1. Voice Grade - Per Channel*	\$45.00 (I)	\$2.23 (I)	None (R)
2. DS1 - Zone 1*	\$48.00 (R)	\$4.00 (R)	None (R)
- Zone 2*	50.00 (R)	4.35 (R)	None (R)
- Zone 3*	54.00 (R)	4.75 (R)	None (R)
3. DS3 - Zone 1*	\$460.00	\$60.00 (R)	None (R)
- Zone 2*	480.00 (I)	80.00 (R)	None (R)
- Zone 3*	500.00 (I)	90.00 (R)	None (R)
4. OptiPoint-3			
a. 1 Year Commitment Rates			
Zone 1*	\$2,056.00	\$144.00	
Zone 2*	2,136.00	150.00	
Zone 3*	2,233.00	156.00	
b. 3 Year Commitment Rates			
Zone 1*	\$1,713.00	\$110.00	
Zone 2*	1,780.00	120.00	
Zone 3*	1,861.00	130.00	
c. 5 Year Commitment Rates			
Zone 1*	\$1,539.00	\$100.00	
Zone 2*	1,606.00	110.00	
Zone 3*	1,673.00	120.00	

(C)

(C)

* See Section E19 for Orlando and Tallahassee MSA Price Flexibility rates.

(N)

ACCESS SERVICE TARIFF

Embarq Florida, Inc.
d/b/a CenturyLink
 By: Gary L. Kepley

Second Revised Page 136.2
 Cancels First Revised Page 136.2

(T)

Effective: July 2, 2013

E6. SWITCHED ACCESS SERVICE

E6.8 Rates and Charges (Cont'd)

E6.8.2 Switched Transport (Cont'd)

C. Tandem-Switched Transport

	Rate		
	Per Access Minute		
	<u>Originating</u>	<u>Terminating</u>	
1. Tandem-Switched Transmission Termination			(C)
Zone 1	\$0.000180	\$0.000365 (I)	(C)
Zone 2	\$0.000200	\$0.000438 (I)	
Zone 3	\$0.000210	\$0.000598 (I)	(C)
Facility, per Access Minute per mile			
Zone 1	\$0.000036	\$0.000035 (R)	(C)
Zone 2	\$0.000040	\$0.000055 (I)	
Zone 3	\$0.000042	\$0.000080 (I)	(C)
2. Tandem Switching			
Zone 1	\$0.000792	\$0.001197 (I)	(C)
Zone 2	\$0.000880 (I)	\$0.001338 (I)	
Zone 3	\$0.000924	\$0.001693 (I)	(C)
3. Common Transport Multiplexing			(N)
Zone 1	\$0.000327	\$0.000327	
Zone 2	\$0.000360	\$0.000360	
Zone 3	\$0.000370	\$0.000370	
	<u>Monthly Rate</u>		
4. Tandem Trunk Port			
DS0*	\$4.05		
DS1*	\$93.58		
5. Dedicated Multiplexing			
DS3 to DS1:			
- Zone 1*	\$211.00		
- Zone 2*	\$245.00		
- Zone 3*	\$250.00		(N)

* See Section E19 for Orlando and Tallahassee MSA Price Flexibility rates.

(N)

ACCESS SERVICE TARIFF

Embarq Florida, Inc.
d/b/a CenturyLink
 By: Gary L. Kepley, Director

Fifth Revised Page 137
 Cancels Fourth Revised Page 137 (T)

Effective: July 2, 2013

E6. SWITCHED ACCESS SERVICE

E6.8 Rates and Charges (Cont'd)

E6.8.2 Switched Transport (Cont'd)

D. Chargeable Optional Feature

1. Multiplexing

	<u>Monthly Charge</u>		<u>Nonrecurring Charge</u>		
DS1 to Voice Grade:					
- Zone 1*	\$190.00	<i>(R)</i>	\$150.00	<i>(I)</i>	C
- Zone 2*	\$230.00	<i>(R)</i>	\$150.00	<i>(I)</i>	
- Zone 3*	\$245.00	<i>(R)</i>	\$150.00	<i>(I)</i>	C
DS3 to DS1:					
- Zone 1*	\$211.00	<i>(R)</i>	\$100.00	<i>(I)</i>	C
- Zone 2*	\$245.00	<i>(R)</i>	\$100.00	<i>(I)</i>	
- Zone 3*	\$250.00	<i>(R)</i>	\$100.00	<i>(I)</i>	C
STS1 to DS1:					
- Zone 1*	\$375.00		\$250.00		
- Zone 2*	\$420.00		\$250.00		
- Zone 3*	\$575.00		\$250.00		

(M)

2. **Provision of Other than Telephone Company Selected Traffic Routing (available with FGB, FGC and FBD)**

(N)

(a) Direct Trunking in lieu of Tandem Trunking	GAR	GAR
(b) Tandem Trunking in lieu of Direct Trunking	GAR	GAR

3. **Customer Specification of Feature Group Directionality (Available with FGB, FGC* and FGD)**

(a) One-Way Operation in lieu of Two-Way Operation	GAR	GAR
(b) Two-Way Operation in lieu of Two-Way Operation	GAR	GAR

4. **Customer Specification of Switched Transport Termination (Available with FGB with Type B Transmission Performance)**

Four-Wire Termination in lieu of Two-Wire	GAR	GAR
--	-----	-----

(N)

(M) **Material removed from this page now appears on Page 137.0.1.**

* See Section E19 for Orlando and Tallahassee MSA Price Flexibility rates

(N)

ACCESS SERVICE TARIFF

Embarq Florida, Inc.
d/b/a CenturyLink
 By: Gary L. Kepley, Director

Original Page 137.0.1

Effective: July 2, 2013

E6. SWITCHED ACCESS SERVICE

E6.8 Rates and Charges (Cont'd)

E6.8.2 Switched Transport (Cont'd)

D. Chargeable Optional Feature

2. OptiPoint Configuration Node

a. OC3

- Per Arrangement

1 Year

Zone 1

Monthly
Rates

\$186.00

(M)

(I)

Zone 2

195.00

(I)

Zone 3

205.00

(R)

3 Year

Zone 1

\$177.00

(I)

Zone 2

186.00

(I)

Zone 3

195.00

(I)

5 Year

Zone 1

\$168.00

(I)

Zone 2

176.00

(I)

Zone 3

185.00

(I)

b. OC12

- Per Arrangement

1 Year

Zone 1

\$840.00

Zone 2

900.00

Zone 3

960.00

3 Year

Zone 1

\$700.00

Zone 2

750.00

Zone 3

800.00

5 Year

Zone 1

\$600.00

Zone 2

650.00

Zone 3

700.00

(M)

(M) This material previously appeared on Page 137.

ACCESS SERVICE TARIFF

Embarq Florida, Inc.
d/b/a CenturyLink
 By: Gary L. Kepley, Director

Third Revised Page 137.5
 Cancels Second Revised Page 137.5
 Effective: July 2, 2013

(T)

E6. SWITCHED ACCESS SERVICE

E6.8 Rates and Charges (Cont'd)

E6.8.2 Switched Transport (Cont'd)

D. Chargeable Optional Feature (Cont'd)

5. OptiPoint-48 Configuration Card

a. 3 Year Commitment Rates

Zone 1

DS3	\$90.00
OC3	250.00
OC12	400.00
OC3 Concatenated	275.00
OC12 Concatenated	440.00
STS1	100.00

Zone 2

DS3	\$100.00
OC3	300.00
OC12	500.00
OC3 Concatenated	330.00
OC12 Concatenated	550.00
STS1	110.00

Zone 3

DS3	\$110.00
OC3	360.00
OC12	600.00
OC3 Concatenated	440.00
OC12 Concatenated	660.00
STS1	120.00

Monthly Rates
Per Card

(R)

ACCESS SERVICE TARIFF

Embarq Florida, Inc.
d/b/a CenturyLink
 By: Gary L. Kepley, Director

Second Revised Page 137.7
 Cancels First Revised Page 137.7 (T)

Effective: July 2, 2013

E6. SWITCHED ACCESS SERVICE

E6.8 Rates and Charges (Cont'd)

E6.8.2 Switched Transport (Cont'd)

D. Chargeable Optional Feature (Cont'd)

6. OptiPoint-192 Configuration Card (Cont'd)

	<u>Monthly Rates</u> <u>Per Card</u>	
a. 3 Year Commitment Rates		
Zone 1		
DS3	\$130.00	
OC3	285.00	
OC12	540.00	
OC48	1,620.00	
OC3 Concatenated	320.00	
OC12 Concatenated	595.00	
OC48 Concatenated	1,785.00	
STS1	135.00	
Zone 2		
DS3	\$140.00	
OC3	320.00	
OC12	585.00	
OC48	1,750.00	
OC3 Concatenated	350.00	
OC12 Concatenated	645.00	
OC48 Concatenated	1,925.00	
STS1	145.00	
Zone 3		
DS3	\$155.00	
OC3	395.00	<i>(I)</i>
OC12	630.00	
OC48	1,890.00	
OC3 Concatenated	400.00	<i>(I)</i>
OC12 Concatenated	693.00	
OC48 Concatenated	2,080.00	
STS1	160.00	

ACCESS SERVICE TARIFF

Embarq Florida, Inc.
d/b/a CenturyLink
 By: Gary L. Kepley, Director

Second Revised Page 137.8
 Cancels First Revised Page 137.8

(T)

Effective: July 2, 2013

E6. SWITCHED ACCESS SERVICE

E6.8 Rates and Charges (Cont'd)

E6.8.2 Switched Transport (Cont'd)

D. Chargeable Optional Feature (Cont'd)

6. OptiPoint-192 Configuration Card (Cont'd)

	<u>Monthly Rates Per Card</u>
b. 5 Year Commitment Rates	
Zone 1	
DS3	\$120.00
OC3	260.00
OC12	490.00
OC48	1,470.00
OC3 Concatenated	290.00
OC12 Concatenated	540.00
OC48 Concatenated	1,620.00
STS1	125.00
Zone 2	
DS3	\$130.00
OC3	290.00
OC12	530.00
OC48	1,590.00
OC3 Concatenated	320.00
OC12 Concatenated	585.00
OC48 Concatenated	1,750.00
STS1	135.00
Zone 3	
DS3	\$140.00
OC3	315.00
OC12	575.00
OC48	1,720.00
OC3 Concatenated	345.00
OC12 Concatenated	630.00
OC48 Concatenated	1,890.00
STS1	145.00

(C)

(D)

ACCESS SERVICE TARIFF

Embarq Florida, Inc.
d/b/a CenturyLink
 By: Gary L. Kepley, Director

Fourth Revised Page 138
 Cancels Third Revised Page 138

(T)

Effective: July 2, 2013

E6. SWITCHED ACCESS SERVICE

E6.8 Rates and Charges (Cont'd)

E6.8.2 Switched Transport (Cont'd)

E. Installation

Nonrecurring Charge

Rate

- Per Trunk or line*

\$28.40 (R)

(C)

F. **OptiPoint Regeneration Charge**

(C)

	<u>1 Year</u>	<u>3 Year</u>	<u>5 Year</u>
OC3	\$1,560.00	\$1,300.00	\$1,100.00
OC12	2,880.00	2,400.00	2,100.00
OC48	N/A	4,400.00	4,100.00
OC192	N/A	6,400.00	6,100.00

(C)

G. Network Blocking Charge (Applies to FGD)

- Per Call Blocked

\$ 0.00 (R)

(C)

H. Nonchargeable Optional Features

1. Supervisory Signaling

a. DX Supervisory Signaling arrangement
 - Per Transmission Path¹

b. SF Supervisory Signaling
 - Per Transmission Path²

c. E&M Type 1 Supervisory Signaling arrangement
 - Per Transmission Path¹

d. E&M Type II Supervisory Signaling arrangement
 - Per Transmission Path¹

e. E&M Type III Supervisory Signaling
 - Per Transmission Path³

f. Tandem Supervisory Signaling
 - Per Transmission Path⁴

Note ¹ Available with Interface Groups 1 and 2.

Note ² Available with Interface Groups 2, 6 and 9.

Note ³ Available with Interface Groups 1 and 2 for FGC and FGD.

Note ⁴ Available with Interface Group 2 for FGA.

* See Section E19 for Orlando and Tallahassee MSA Price Flexibility rates.

(N)

ACCESS SERVICE TARIFF

Embarq Florida, Inc..
d/b/a CenturyLink
 By: Gary L. Kepley, Director

Fourth Revised Page 141
 Cancels Third Revised Page 141 (T)

Effective: July 2, 2013

E6. SWITCHED ACCESS SERVICE

E6.8 Rates and Charges (Cont'd)

E6.8.3 End Office

A. Local Switching

	Rate <u>Per Access Minute</u>	
1. LS1 – FGA and FGB		(C)
Originating	\$0.017467 (R)	(R)
Terminating	\$0.003568 (R)	(N)
2. LS2 – FGC and FGD		(C)
Originating	\$0.017467 (R)	(R)
Terminating	\$0.003568 (R)	(N)
3. Trunk Conversion Charge		(M) (T)
<p>A nonrecurring charge(s) will apply when a customer requests a conversion of FGD trunks from SS7 signaling to multifrequency signaling as specified below.</p>		
	<u>Nonrecurring Charge</u>	
- Per 24 Channels Converted or Fraction Thereof	\$50.52	
4. End Office to Tandem Rearrangement Charge		(T)
<p>Nonrecurring charges as specified below will apply when a customer requests end office or tandem rearrangement of FGD trunks as set forth in 6.7.1*** preceding.</p>		
	<u>Nonrecurring Charge</u>	
- Per 24 Channels Converted or Fraction Thereof	\$56.00 (R)	(M) (C)
5. End Office Trunk Port	<u>Monthly Rate</u>	(N)
DS0	\$4.05	(N)
DS1	\$93.58	(D)
		(D)
6. Common Trunk Port – Per Access Minute		(N)
Originating	\$0.000557	(N)
Terminating	0.000557	(N)

(M) This material previously appeared on Page 145.

ACCESS SERVICE TARIFF

Embarq Florida, Inc.
d/b/a CenturyLink
By: Gary L. Kepley, Director

Third Revised Page 145
Cancels Second Revised Page 145 (T)

Effective: July 2, 2013

E6. SWITCHED ACCESS SERVICE

E6.8 Rates and Charges (Cont'd)

E6.8.3 End Office (Cont'd)

A. Local Switching (Cont'd)

(M)

(M)

(M) Material omitted from this page now appears on Page 141.

ACCESS SERVICE TARIFF

Embarq Florida, Inc.
d/b/a CenturyLink
By: Gary L. Kepley, Director

Second Revised Page 146
Cancels First Revised Page 146

(T)

Effective: July 2, 2013

E6. SWITCHED ACCESS SERVICE

E6.8 Rates and Charges (Cont'd)

E6.8.3 End Office (Cont'd)

A. Local Switching (Cont'd)

6. Reserved for Future Use

(D)

(D)

7. Carrier Selection Parameter

Nonrecurring charges as specified below will apply when a customer requests the Carrier Selection Parameter optional feature described in 6.3 preceding. This charge does not apply if the feature is installed coincident with the initial installation of a service.

Nonrecurring Charge

- Per End Office Equipped

\$18.70 (R)

(C)

ACCESS SERVICE TARIFF

Embarq Florida, Inc.
d/b/a CenturyLink
 By: Gary L. Kepley, Director

Third Revised Page 148
 Cancels Second Revised Page 148 (T)

Effective: July 2, 2013

E6. SWITCHED ACCESS SERVICE

E6.8 Rates and Charges (Cont'd)

E6.8.4 Dedicated Access Line Service

A. Monthly Rate

1. Access Lines

	<u>Monthly Rate</u>	
(a) 2 wire InterLATA OutWATS, only ^{1,2}	\$0.00 (R)	(C)
(b) 4 wire InterLATA OutWATS, only ^{1,2}	0.00 (R)	(C)

2. Access Line Extensions

a. Located in the Same Exchange as Main Termination

(1) Second extension termination on different premises from main termination		
Each	\$0.00 (R)	(C)
(2) Additional termination in same building as main or other extension termination		
Each ³	-	
(3) Second extension termination in different building, same premises as main or other extension termination		
Each	\$ 0.00 (R)	(C)

Note¹: The Dedicated Access Line Monthly Rates will be reduced by the amount of the gross receipts tax for certified vendors of telecommunications services.

Note²: This service will be available 60 days from receipt of the first request for service.

Note³: Nonrecurring charge applies

ACCESS SERVICE TARIFF

Embarq Florida, Inc.
d/b/a CenturyLink
 By: Gary L. Kepley, Director

Third Revised Page 149
 Cancels Second Revised Page 149 (T)

Effective: July 2, 2013

E6. SWITCHED ACCESS SERVICE

E6.8 Rates and Charges (Cont'd)

E6.8.4 Dedicated Access Line Service (Cont'd)

A. Monthly Rate (Cont'd) (T)

2. Access Line Extensions (Cont'd)

Monthly
Rate

b. Located in Different Exchange from
 Main Termination within same LATA

(1) Interexchange channel mileage charges and channel terminal charges apply as specified for series 2000 channels in this Company's General Exchange Tariff plus: (C)

(a) Second termination **\$0.00 (R)**

(b) Additional termination in same building with first or other tension termination, each¹ -

(c) Additional termination in different building, same premises as first or other extension termination, each **\$ 0.00 (R)** (C)

(d) Additional termination on different premises, same exchange as first termination, each **\$0.00 (R)** (C)

3. Four-Wire Terminating Arrangement (C)

Each arrangement² **\$0.00 (R)**

Note¹: Nonrecurring charge applies.

Note²: This charge is in addition to the access line monthly recurring charges.

ACCESS SERVICE TARIFF

Embarq Florida, Inc.
d/b/a CenturyLink
 By: Gary L. Kepley, Director

Second Revised Page 150
 Cancels First Revised Page 150 (T)

Effective: July 2, 2013

E6. SWITCHED ACCESS SERVICE

E6.8 Rates and Charges (Cont'd)

E6.8.4 Dedicated Access Line Service (Cont'd)

B. Installation Charges

Service Ordering Charge - The term Service Ordering Charge means the charge that applies for work performed by the Company in connection with the receiving, recording and processing of customer requests for service.

Central Office Work Charge and New Line Connection Charge - Covers work associated with establishing or changing each WATS access line or access line extension connection.

Premises Visit Charge - The term Premises Visit Charge means the charge that applies for a visit to the customer's premises to perform work, other than disconnect work, requested by the customer.

1. For installation of WATS access lines, extensions or four-wire terminating arrangements

a. Access Lines and Extension Lines

		<u>Nonrecurring Charge</u>		
		<u>United Telephone</u>	<u>Central Telephone</u>	
(1)	Service Ordering - Primary Each order	\$0.00 (R)	\$0.00 (R)	(C)
(2)	Service Ordering - Thirdary Each order	\$0.00 (R)	\$0.00 (R)	(C)
(3)	Central Office Work Charge ¹ Each	\$0.00 (R)	\$0.00 (R)	(C)
(4)	New Line Connection Charge ² Each	\$0.00 (R)	\$0.00 (R)	(C)
(5)	Premises Visit Each visit	\$0.00 (R)	\$0.00 (R)	(C)

b. Four-Wire Terminating Arrangements

(1)	This charge is in addition to the access line nonrecurring charges. Each arrangement	\$0.00 (R)	\$0.00 (R)	(C)
-----	---	-------------------	-------------------	-----

Note¹: Central Office Work Charge is applicable for all access lines connected.

Note²: New Line Connection Charge is applicable for all new access lines or additional access lines over and above the number previously installed at a premises.

ACCESS SERVICE TARIFF

Embarq Florida, Inc.
d/b/a CenturyLink
 By: Gary L. Kepley, Director

Second Revised Page 151
 Cancels First Revised Page 151 (T)

Effective: July 2, 2013

E6. SWITCHED ACCESS SERVICE

E6.8 Rates and Charges (Cont'd)

E6.8.4 Dedicated Access Line Service (Cont'd)

B. Installation Charges (Cont'd)

2. For moving a dedicated access line or extension line (T)

		<u>Nonrecurring Charge</u>		
		<u>United</u>	<u>Central</u>	
		<u>Telephone</u>	<u>Telephone</u>	
a.	Inside Move			
(1)	Service Ordering Each order	\$0.00 (R)	\$0.00 (R)	(C)
(2)	Premises Visit Each visit	\$0.00 (R)	\$0.00 (R)	(C)

b. Outside Move, Different Building

Moves to a different building will be treated as a disconnect of the existing access line or extension and installation charges as specified in A19 of the General Exchange Tariff will be applicable.

ACCESS SERVICE TARIFF

Embarq Florida, Inc.
d/b/a CenturyLink
By: Gary L. Kepley, Director

Fourth Revised Page 1
Cancels Third Revised Page 1 (T)

Effective: July 2, 2013

E19. PRICE FLEXIBILITY SWITCHED ACCESS SERVICE

(N)

CONTENTS

	<u>Page No.</u>
E19. <u>Pricing Flexibility Switched Access Service</u>	1
E19.1 General Regulations	2
E19.2 Application of Rates and Charges	3
E19.3 Metropolitan Statistical Areas and Zones	4
E19.4 Rates and Charges	5

(N)

Effective: July 2, 2013

E19. PRICE FLEXIBILITY SWITCHED ACCESS SERVICE

(N)

E19. PRICING FLEXIBILITY SWITCHED ACCESS SERVICE

E19.1 General Regulations

(A) *This section of the tariff provides the regulations, rates and charges applicable to WATSwitched transport services provided by the Telephone Company in the Metropolitan Statistical Areas (MSAs) for which the Telephone Company has received Phase II pricing flexibility pursuant to Subpart H of Part 69 of the Federal Communications Commission's rules. The specific MSAs for which pricing flexibility has been granted are listed in Section 19.3 following.*

(B) *The pricing flexibility WATSwitched transport services provided in MSAs pursuant to this section include:*

- *Voice Grade, DS1 and DS3 Entrance Facilities*
- *Voice Grade, DS1 and DS3 Direct-Trunked Transport*
- *WATStrunk Ports*
- *DS1 to Voice and DS3 to DS1 Multiplexing*
- *Switched Transport Installation*
- *CCS/SS7 Interconnection Service*
- *STS1 and OptiPoint Entrance Facilities*
- *STS and OptiPoint Direct-Trunked Transport*
- *STS to DS1 Multiplexing*
- *OptiPoint Configuration Nodes and Cards*
- *OptiPoint Service Upgrades*
- *OptiPoint Reconfiguration Charges*
- *OptiPoint Regeneration Charges*

The general regulations, service descriptions, optional features, service provisioning, obligations of the Telephone Company and customer, and rate regulations set forth in Sections 6.1 through 6.7 preceding for switched access services are applicable to the pricing flexibility services specified in this section. Where the regulations in Section 6 conflict with those set forth in this section, the regulations specified herein for the provision of switched access services in the Telephone Company's pricing flexibility MSAs will supersede any inconsistencies.

(C) *Unless otherwise provided in this section, the regulations set forth in Sections 1, 2, 5, and 13 are applicable to switched access services provided in the Telephone Company's pricing flexibility MSAs.*

(N)

E19. PRICE FLEXIBILITY SWITCHED ACCESS SERVICE

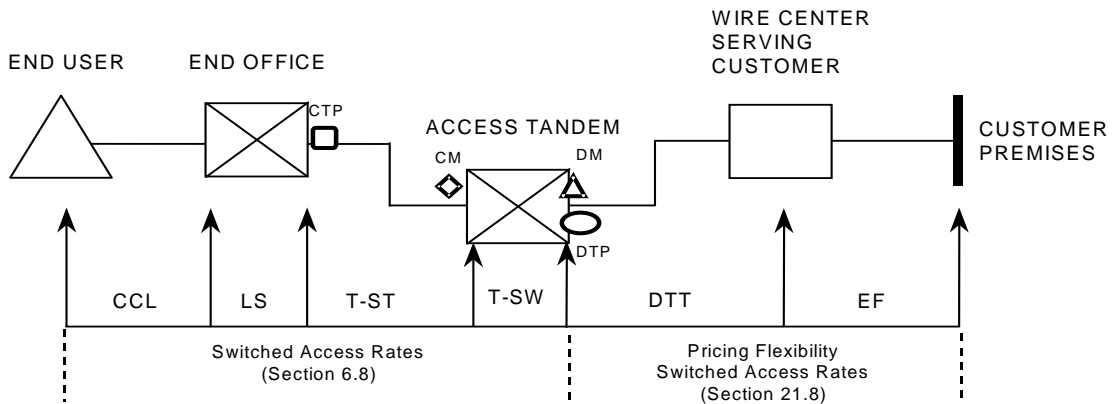
E19. PRICING FLEXIBILITY SWITCHED ACCESS SERVICE (Cont'd)

E19.2 Application of Rates and Charges

The rates and charges for switched access services provided in pricing flexibility MSAs are set forth in 19.4 following. Rates and charges for the non-flexibility service areas are set forth in Section 6.8 preceding. When switched access service in a pricing flexibility MSA is provided under a zone density plan as set forth in Section E6.7.15, channel mileage will be deemed to be offered in the highest priced zone.

The following examples depict a typical switched WATSpoint-to-point service provided within a pricing flexibility MSA, and between a pricing flexibility MSA and a non-flexibility service area.

(A) Switched Access Service within a Pricing Flexibility MSA



- CCL: CARRIER COMMON LINE
- LS: LOCAL SWITCHING
- T-ST: TANDEM-SWITCHED TRANSMISSION (FIXED & PER MILE)
- T-SW: TANDEM SWITCHING
- DTT: DIRECT-TRUNKED TRANSPORT
- EF: ENTRANCE FACILITY
- CTP: COMMON TRUNK PORT
- CM: COMMON TRANSPORT MULTIPLEXING
- DTP: DEDICATED TRUNK PORT
- DM: DEDICATED MULTIPLEXING

ACCESS SERVICE TARIFF

Embarq Florida, Inc.
d/b/a CenturyLink
 By: Gary L. Kepley, Director

Fifth Revised Page 3.1
 Cancels Fourth Revised Page 3.1

(T)

Effective: July 2, 2013

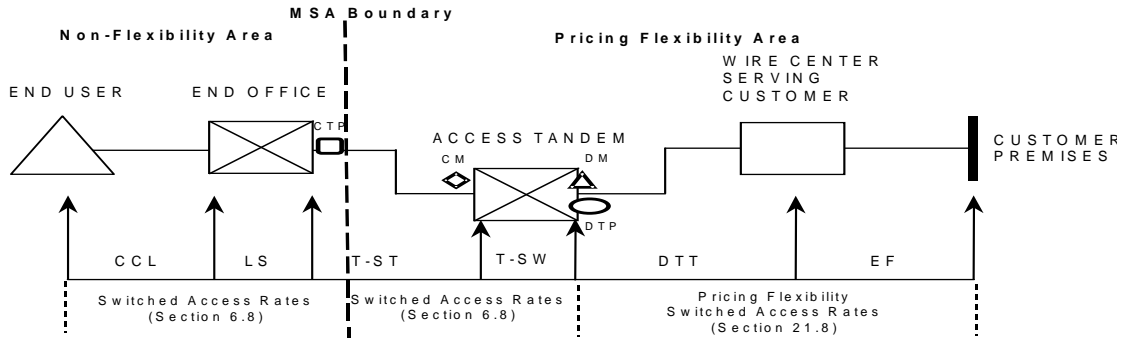
E19. PRICE FLEXIBILITY SWITCHED ACCESS SERVICE

(N)

E19. PRICING FLEXIBILITY SWITCHED ACCESS SERVICE (Cont'd)

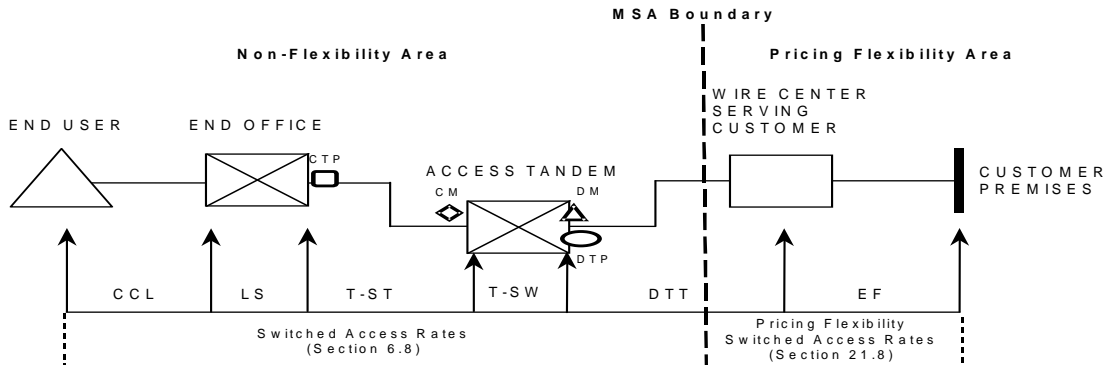
E19.2 Application of Rates and Charges (Cont'd)

(B) Switched Access Service between a Pricing Flexibility MSA and a Non-Flexibility Area



- CCL: CARRIER COMMON LINE
- LS: LOCAL SWITCHING
- T-ST: TANDEM-SWITCHED TRANSMISSION (FIXED & PER MILE)
- T-SW: TANDEM SWITCHING
- DTT: DIRECT-TRUNKED TRANSPORT
- EF: ENTRANCE FACILITY
- CTP: COMMON TRUNK PORT
- CM: COMMON TRANSPORT MULTIPLEXING
- DTP: DEDICATED TRUNK PORT
- DM: DEDICATED MULTIPLEXING

(C) Switched Access Service between a Pricing Flexibility MSA and a Non-Flexibility Area



- CCL: CARRIER COMMON LINE
- LS: LOCAL SWITCHING
- T-ST: TANDEM-SWITCHED TRANSMISSION (FIXED & PER MILE)
- T-SW: TANDEM SWITCHING
- DTT: DIRECT-TRUNKED TRANSPORT
- EF: ENTRANCE FACILITY
- CTP: COMMON TRUNK PORT
- CM: COMMON TRANSPORT MULTIPLEXING
- DTP: DEDICATED TRUNK PORT
- DM: DEDICATED MULTIPLEXING

(N)

ACCESS SERVICE TARIFF

Embarq Florida, Inc.
d/b/a CenturyLink
 By: Gary L. Kepley, Director

Fifth Revised Page 4
 Cancels Fourth Revised Page 4 (T)

Effective: July 2, 2013

E19. PRICE FLEXIBILITY SWITCHED ACCESS SERVICE

E19. Pricing Flexibility Switched Access Service (Cont'd)

E19.3 Metropolitan Statistical Areas (MSAs)

FLORIDA – Orlando MSA

<u>Zone 1</u>		<u>Zone 2</u>		<u>Zone 3</u>	
<u>End Office</u>	<u>CLLI</u>	<u>End Office</u>	<u>CLLI</u>	<u>End Office</u>	<u>CLLI</u>
Altamonte Springs	ALSPFLXA	Apopka	APPKFLXA	Astor	ASTRFLXA
Kissimmee	KSSMFLXA	Goldenrod	GLRDFLXA	Clermont	CLMTFLXA
Maitland	MTLDFLXA	Lake Brantly	LKBRFLXA	Casselberry	CSLBFLXA
Winter Park	WNPKFLXA	Leesburg	LSBGFLXA	Eustis	ESTSFLXA
		West Kissimmee	KSSMFLXB	Groveland	GVLDFLXA
		Winter Garden	WNGRFLXA	Howey-in-the-Hills	HOWYFLXA
				Kenansville	KNVLFLXA
				Kissimmee	KSSMFLXD
				Lady Lake	LDLKFLXA
				Mount Dora	MTDRFLXA
				Montverde	MTVRFLXA
				St. Cloud	STCDFLXA
				Tavares	TVRSFLXA
				Umatilla	UMTLFLXA
				Windermere	WNRDFLXA
				Winter Park	WNPKFLXE

FLORIDA – Tallahassee MSA

<u>Zone 1</u>		<u>Zone 2</u>		<u>Zone 3</u>	
<u>End Office</u>	<u>CLLI</u>	<u>End Office</u>	<u>CLLI</u>	<u>End Office</u>	<u>CLLI</u>
None	None	Tallahassee	TLHSFLXA	Tallahassee	TLHSFLXE
		Tallahassee	TLHSFLXB	Tallahassee	TLHSFLXG
		Tallahassee	TLHSFLXC	Tallahassee	TLHSFLXH
		Tallahassee	TLHSFLXD		
		Tallahassee	TLHSFLXF		

(N)

(N)

ACCESS SERVICE TARIFF

Embarq Florida, Inc.
d/b/a CenturyLink
 By: Gary L. Kepley, Director

Fourth Revised Page 5
 Cancels Third Revised Page 5

(T)

Effective: July 2, 2013

E19. PRICE FLEXIBILITY SWITCHED ACCESS SERVICE

(N)

E19. PRICING FLEXIBILITY SWITCHED ACCESS SERVICE

E19.4 Rates and Charges

E19.4.1 Switched Transport

(A) Entrance Facilities

(1) Voice Grade

- **Per Point of Termination**

- **Two Wire**

<u>MSA</u>	<u>Monthly Rate</u>	<u>Nonrecurring Charge</u>
Orlando/ Tallahassee	\$105.00	\$165.00

- **Four Wire**

<u>MSA</u>	<u>Monthly Rate</u>	<u>Nonrecurring Charge</u>
Orlando/ Tallahassee	\$140.00	\$165.00

(2) DS1 – Per DS1

<u>MSA</u>	<u>Monthly Rates</u>			<u>Nonrecurring Installation Charge</u>
	<u>Within CO</u>	<u>0 – 3 Miles</u>	<u>Over 3 Miles</u>	
Orlando				
Zone 1	\$128.00	\$230.00	\$295.00	\$700.00
Zone 2	136.67	265.00	330.00	700.00
Zone 3	145.67	315.00	385.00	700.00
Tallahassee				
Zone 1	128.00	240.00	300.00	700.00
Zone 2	136.67	275.00	335.00	700.00
Zone 3	145.67	325.00	390.00	700.00

(N)

ACCESS SERVICE TARIFF

Embarq Florida, Inc.
d/b/a CenturyLink
 By: Gary L. Kepley, Director

Fourth Revised Page 6
 Cancels Third Revised Page 6

Effective: July 2, 2013

(T)

E19. PRICE FLEXIBILITY SWITCHED ACCESS SERVICE

(N)

E19. PRICING FLEXIBILITY SWITCHED ACCESS SERVICE (Cont'd)

E19.4 Rates and Charges (Cont'd)

E19.4.1 Switched Transport (Cont'd)

(A) Entrance Facilities (Cont'd)

(3) DS3 – Per Point of Termination

MSA	Monthly Rates			Nonrecurring	
	Within CO	0 – 3 Miles	Over 3 Miles	Installation Charge	Rearrangement Charge
Orlando/Tallahassee					
Zone 1	\$638.00	\$1,180.00	\$1,669.00	\$800.00	\$400.00
Zone 2	678.67	1,450.00	2,440.00	800.00	400.00
Zone 3	704.00	1,580.00	2,530.00	800.00	400.00

(4) Optipoint 3 with Telephone Company Provided Terminal Equipment

(a) One Year Commitment Rates

MSA	Monthly Rates			Nonrecurring Installation Charge
	Within CO	0 – 3 Miles	Over 3 Miles	
Orlando/Tallahassee				
Zone 1	\$1,500.00	\$2,268.00	\$3,666.00	\$4,280.00
Zone 2	1,560.00	2,334.00	3,870.00	4,280.00
Zone 3	1,866.00	2,400.00	3,930.00	4,280.00

(b) 3 Year Commitment Rates

MSA	Monthly Rates			Nonrecurring Installation Charge
	Within CO	0 – 3 Miles	Over 3 Miles	
Orlando/Tallahassee				
Zone 1	\$1,340.00	\$2,080.00	\$3,055.00	N/A
Zone 2	1,390.00	2,140.00	3,225.00	N/A
Zone 3	1,555.00	2,200.00	3,275.00	N/A

(N)

ACCESS SERVICE TARIFF

Embarq Florida, Inc.
d/b/a CenturyLink
 By: Gary L. Kepley, Director

Fourth Revised Page 7
 Cancels Third Revised Page 7

(T)

Effective: July 2, 2013

E19. PRICE FLEXIBILITY SWITCHED ACCESS SERVICE

(N)

E19. PRICING FLEXIBILITY SWITCHED ACCESS SERVICE (Cont'd)

E19.4 Rates and Charges (Cont'd)

E19.4.1 Switched Transport (Cont'd)

(A) Entrance Facilities (Cont'd)

(4) Optipoint 3 with Telephone Company Provided Terminal Equipment

(c) 5 Year Commitment Rates

<u>MSA</u>	<u>Monthly Rates</u>			<u>Nonrecurring Installation Charge</u>
	<u>Within CO</u>	<u>0 – 3 Miles</u>	<u>Over 3 Miles</u>	
Orlando/Tallahassee				
Zone 1	\$1,230.00	\$1,870.00	\$2,750.00	N/A
Zone 2	1,285.00	1,925.00	2,900.00	N/A
Zone 3	1,400.00	1,980.00	2,950.00	N/A

(N)

ACCESS SERVICE TARIFF

Embarq Florida, Inc.
d/b/a CenturyLink
 By: Gary L. Kepley, Director

Fourth Revised Page 8
 Cancels Third Revised Page 8

(T)

Effective: July 2, 2013

E19. PRICE FLEXIBILITY SWITCHED ACCESS SERVICE

(N)

E19. PRICING FLEXIBILITY SWITCHED ACCESS SERVICE (Cont'd)

E19.4 Rates and Charges (Cont'd)

E19.4.1 Switched Transport (Cont'd)

(A) Entrance Facilities (Cont'd)

(5) Optipoint 3 without Telephone Company Provided Terminal Equipment

(a) One Year Commitment Rates

MSA	Monthly Rates			Nonrecurring Installation Charge
	Within CO	0 – 3 Miles	Over 3 Miles	
Orlando/Tallahassee				
Zone 1	\$864.00	\$1,626.00	\$2,958.00	\$3,140.00
Zone 2	888.88	1,674.00	3,120.00	3,140.00
Zone 3	1,110.00	1,722.00	3,180.00	3,140.00

(b) 3 Year Commitment Rates

MSA	Monthly Rates			Nonrecurring Installation Charge
	Within CO	0 – 3 Miles	Over 3 Miles	
Orlando/Tallahassee				
Zone 1	\$775.00	\$1,355.00	\$2,465.00	N/A
Zone 2	820.00	1,395.00	2,600.00	N/A
Zone 3	925.00	1,435.00	2,730.00	N/A

(c) 5 Year Commitment Rates

MSA	Monthly Rates			Nonrecurring Installation Charge
	Within CO	0 – 3 Miles	Over 3 Miles	
Orlando/Tallahassee				
Zone 1	\$740.00	\$1,220.00	\$2,220.00	N/A
Zone 2	775.00	1,255.00	2,340.00	N/A
Zone 3	830.00	1,295.00	2,450.00	N/A

(N)

ACCESS SERVICE TARIFF

Embarq Florida, Inc.
d/b/a CenturyLink
 By: Gary L. Kepley, Director

Third Revised Page 8.1
 Cancels Second Revised Page 8.1

(T)

Effective: July 2, 2013

E19. PRICE FLEXIBILITY SWITCHED ACCESS SERVICE

(N)

E19. PRICING FLEXIBILITY SWITCHED ACCESS SERVICE (Cont'd)

E19.4 Rates and Charges (Cont'd)

E19.4.1 Switched Transport (Cont'd)

(A) Entrance Facilities (Cont'd)

(6) Optipoint 12 with Telephone Company Provided Terminal Equipment

(a) One Year Commitment Rates

MSA	Monthly Rates			Nonrecurring Installation Charge
	Within CO	0 – 3 Miles	Over 3 Miles	
Orlando/Tallahassee				
Zone 1	\$1,968.00	\$2,670.00	\$4,668.00	\$11,290.00
Zone 2	1,998.00	2,802.00	5,334.00	11,290.00
Zone 3	2,094.00	2,934.00	5,670.00	11,290.00

(b) 3 Year Commitment Rates

MSA	Monthly Rates			Nonrecurring Installation Charge
	Within CO	0 – 3 Miles	Over 3 Miles	
Orlando/Tallahassee				
Zone 1	\$1,640.00	\$2,380.00	\$3,890.00	N/A
Zone 2	1,665.00	2,500.00	4,445.00	N/A
Zone 3	1,830.00	2,615.00	4,725.00	N/A

(c) 5 Year Commitment Rates

MSA	Monthly Rates			Nonrecurring Installation Charge
	Within CO	0 – 3 Miles	Over 3 Miles	
Orlando/Tallahassee				
Zone 1	\$1,475.00	\$2,140.00	\$3,500.00	N/A
Zone 2	1,500.00	2,250.00	4,000.00	N/A
Zone 3	1,650.00	2,355.00	4,250.00	N/A

(N)

ACCESS SERVICE TARIFF

Embarq Florida, Inc.
d/b/a CenturyLink
 By: Gary L. Kepley, Director

Third Revised Page 8.2
 Cancels Second Revised Page 8.2

(T)

Effective: July 2, 2013

E19. PRICE FLEXIBILITY SWITCHED ACCESS SERVICE

(N)

E19. PRICING FLEXIBILITY SWITCHED ACCESS SERVICE (Cont'd)

E19.4 Rates and Charges (Cont'd)

E19.4.1 Switched Transport (Cont'd)

(A) Entrance Facilities (Cont'd)

(7) Optipoint 12 without Telephone Company Provided Terminal Equipment

(a) One Year Commitment Rates

MSA	Monthly Rates			Nonrecurring Installation Charge
	Within CO	0 – 3 Miles	Over 3 Miles	
Orlando/Tallahassee				
Zone 1	\$1,134.00	\$1,848.00	\$3,648.00	\$10,570.00
Zone 2	1,152.00	1,938.00	4,170.00	10,570.00
Zone 3	1,206.00	2,028.00	4,434.00	10,570.00

(b) 3 Year Commitment Rates

MSA	Monthly Rates			Nonrecurring Installation Charge
	Within CO	0 – 3 Miles	Over 3 Miles	
Orlando/Tallahassee				
Zone 1	\$1,090.00	\$1,540.00	\$3,040.00	N/A
Zone 2	1,105.00	1,615.00	3,475.00	N/A
Zone 3	1,155.00	1,690.00	3,695.00	N/A

(c) 5 Year Commitment Rates

MSA	Monthly Rates			Nonrecurring Installation Charge
	Within CO	0 – 3 Miles	Over 3 Miles	
Orlando/Tallahassee				
Zone 1	\$980.00	\$1,385.00	\$2,735.00	N/A
Zone 2	995.00	1,450.00	3,125.00	N/A
Zone 3	1,040.00	1,525.00	3,325.00	N/A

(N)

ACCESS SERVICE TARIFF

Embarq Florida, Inc.
d/b/a CenturyLink
 By: Gary L. Kepley, Director

Third Revised Page 8.3
 Cancels Second Revised Page 8.3

(T)

Effective: July 2, 2013

E19. PRICE FLEXIBILITY SWITCHED ACCESS SERVICE

(N)

E19. PRICING FLEXIBILITY SWITCHED ACCESS SERVICE (Cont'd)

E19.4 Rates and Charges (Cont'd)

E19.4.1 Switched Transport (Cont'd)

(A) Entrance Facilities (Cont'd)

(8) Optipoint 48 with Telephone Company Provided Terminal Equipment

(a) 3 Year Commitment Rates

MSA	Monthly Rates			Nonrecurring Installation Charge
	Within CO	0 – 3 Miles	Over 3 Miles	
Orlando/Tallahassee				
Zone 1	\$5,300.00	\$7,200.00	\$11,020.00	N/A
Zone 2	5,400.00	7,600.00	12,635.00	N/A
Zone 3	5,700.00	7,900.00	13,700.00	N/A

(b) 5 Year Commitment Rates

MSA	Monthly Rates			Nonrecurring Installation Charge
	Within CO	0 – 3 Miles	Over 3 Miles	
Orlando/Tallahassee				
Zone 1	\$4,800.00	\$6,500.00	\$9,975.00	N/A
Zone 2	4,900.00	6,800.00	11,400.00	N/A
Zone 3	5,100.00	7,100.00	12,800.00	N/A

(N)

ACCESS SERVICE TARIFF

Embarq Florida, Inc.
d/b/a CenturyLink
 By: Gary L. Kepley, Director

Fourth Revised Page 9
 Cancels Third Revised Page 9 (T)

Effective: July 2, 2013

E19. PRICE FLEXIBILITY SWITCHED ACCESS SERVICE

(N)

E19. PRICING FLEXIBILITY SWITCHED ACCESS SERVICE (Cont'd)

E19.4 Rates and Charges (Cont'd)

E19.4.1 Switched Transport (Cont'd)

(A) Entrance Facilities (Cont'd)

(9) Optipoint 48 without Telephone Company Provided Terminal Equipment

(a) 3 Year Commitment Rates

MSA	Monthly Rates			Nonrecurring Installation Charge
	Within CO	0 – 3 Miles	Over 3 Miles	
Orlando/Tallahassee				
Zone 1	\$3,100.00	\$4,600.00	\$9,345.00	N/A
Zone 2	3,150.00	4,800.00	9,660.00	N/A
Zone 3	3,300.00	5,000.00	10,080.00	N/A

(b) 5 Year Commitment Rates

MSA	Monthly Rates			Nonrecurring Installation Charge
	Within CO	0 – 3 Miles	Over 3 Miles	
Orlando/Tallahassee				
Zone 1	\$2,800.00	\$4,200.00	\$8,500.00	N/A
Zone 2	2,850.00	4,400.00	8,900.00	N/A
Zone 3	3,000.00	4,600.00	9,300.00	N/A

(N)

ACCESS SERVICE TARIFF

Embarq Florida, Inc.
d/b/a CenturyLink
 By: Gary L. Kepley, Director

Fourth Revised Page 10
 Cancels Third Revised Page 10

(T)

Effective: July 2, 2013

E19. PRICE FLEXIBILITY SWITCHED ACCESS SERVICE

(N)

E19. PRICING FLEXIBILITY SWITCHED ACCESS SERVICE (Cont'd)

E19.4 Rates and Charges (Cont'd)

E19.4.1 Switched Transport (Cont'd)

(A) Entrance Facilities (Cont'd)

(10) STS1 (51.84 Mbps – Per Point of Termination)

MSA	Monthly Rates			Nonrecurring	
	Within CO	0 – 3 Miles	Over 3 Miles	Installation Charge	Rearrangement Charge
Orlando/Tallahassee					
Zone 1	\$825.00	\$1,275.00	\$2,200.00	\$325.00	\$162.50
Zone 2	1,000.00	1,650.00	2,700.00	\$325.00	\$162.50
Zone 3	1,350.00	2,000.00	3,200.00	\$325.00	\$162.50

(11) Optipoint 192 with Telephone Company Provided Terminal Equipment

(a) 3 Year Commitment Rates

MSA	Monthly Rates			Nonrecurring Installation Charge
	Within CO	0 – 3 Miles	Over 3 Miles	
Orlando/Tallahassee				
Zone 1	\$13,008.00	\$17,620.00	\$27,040.00	N/A
Zone 2	14,050.00	19,030.00	29,205.00	N/A
Zone 3	15,175.00	20,550.00	31,535.00	N/A

(b) 5 Year Commitment Rates

MSA	Monthly Rates			Nonrecurring Installation Charge
	Within CO	0 – 3 Miles	Over 3 Miles	
Orlando/Tallahassee				
Zone 1	\$11,825.00	\$16,020.00	\$24,580.00	N/A
Zone 2	12,770.00	17,300.00	26,550.00	N/A
Zone 3	13,795.00	18,685.00	28,675.00	N/A

(N)

ACCESS SERVICE TARIFF

Embarq Florida, Inc.
d/b/a CenturyLink
 By: Gary L. Kepley, Director

Sixth Revised Page 11
 Cancels Fifth Revised Page 11

(T)

Effective: July 2, 2013

E19. PRICE FLEXIBILITY SWITCHED ACCESS SERVICE

(N)

E19. PRICING FLEXIBILITY SWITCHED ACCESS SERVICE (Cont'd)

E19.4 Rates and Charges (Cont'd)

E19.4.1 Switched Transport (Cont'd)

(12) Optipoint 192 without Telephone Company Provided Terminal Equipment

(a) 3 Year Commitment Rates

MSA	Monthly Rates			Nonrecurring Installation Charge
	Within CO	0 – 3 Miles	Over 3 Miles	
Orlando/Tallahassee				
Zone 1	\$7,590.00	\$11,385.00	\$23,040.00	N/A
Zone 2	8,200.00	12,300.00	24,885.00	N/A
Zone 3	8,850.00	13,283.00	26,875.00	N/A

(b) 5 Year Commitment Rates

MSA	Monthly Rates			Nonrecurring Installation Charge
	Within CO	0 – 3 Miles	Over 3 Miles	
Orlando/Tallahassee				
Zone 1	\$6,900.00	\$10,350.00	\$20,945.00	N/A
Zone 2	7,450.00	11,180.00	22,620.00	N/A
Zone 3	8,045.00	12,075.00	24,430.00	N/A

(B) Direct-Trunked Transport

(1) Voice Grade - Per Channel

MSA	Monthly Rates	
	Fixed	Per Mile
Orlando	\$79.00	\$3.75
Tallahassee	75.00	5.00

(2) DS1 – Per DS1

MSA	Monthly Rates	
	Fixed	Per Mile
Orlando/Tallahassee		
Zone 1	\$98.00	\$12.00
Zone 2	105.00	14.50
Zone 3	120.00	20.00

(3) DS3 – Per DS3

MSA	Monthly Rates	
	Fixed	Per Mile
Orlando/Tallahassee		
Zone 1	\$660.00	\$89.00
Zone 2	795.00	110.00
Zone 3	995.00	150.00

(N)

ACCESS SERVICE TARIFF

Embarq Florida, Inc.
d/b/a CenturyLink
 By: Gary L. Kepley, Director

Fourth Revised Page 11.1
 Cancels Third Revised Page 11.1

Effective: July 2, 2013

E19. PRICE FLEXIBILITY SWITCHED ACCESS SERVICE

E19. PRICING FLEXIBILITY SWITCHED ACCESS SERVICE (Cont'd)

E19.4 Rates and Charges (Cont'd)

E19.4.1 Switched Transport (Cont'd)

(B) Direct Trunked Transport (Cont'd)

(4) OptiPoint 3

(a) One Year Commitment Rates

<u>MSA</u>	<u>Monthly Rates</u>	
	<u>Fixed</u>	<u>Per Mile</u>
Orlando/Tallahassee		
Zone 1	\$2,056.00	\$144.00
Zone 2	2,136.00	150.00
Zone 3	2,233.00	156.00

(b) 3 Year Commitment Rates

<u>MSA</u>	<u>Monthly Rates</u>	
	<u>Fixed</u>	<u>Per Mile</u>
Orlando/Tallahassee		
Zone 1	\$1,715.00	\$120.00
Zone 2	1,780.00	125.00
Zone 3	1,860.00	130.00

(c) 5 Year Commitment Rates

<u>MSA</u>	<u>Monthly Rates</u>	
	<u>Fixed</u>	<u>Per Mile</u>
Orlando/Tallahassee		
Zone 1	\$1,540.00	\$110.00
Zone 2	1,605.00	115.00
Zone 3	1,675.00	120.00

(T)

(N)

(N)

ACCESS SERVICE TARIFF

Embarq Florida, Inc.
d/b/a CenturyLink
 By: Gary L. Kepley, Director

Third Revised Page 11.2
 Cancels Second Revised Page 11.2

(T)

Effective: July 2, 2013

E19. PRICE FLEXIBILITY SWITCHED ACCESS SERVICE

(N)

E19. PRICING FLEXIBILITY SWITCHED ACCESS SERVICE (Cont'd)

E19.4 Rates and Charges (Cont'd)

E19.4.1 Switched Transport (Cont'd)

(B) Direct-Trunked Transport (Cont'd)

(5) OptiPoint 12

(a) One Year Commitment Rates

<u>MSA</u>	<u>Monthly Rates</u>	
	<u>Fixed</u>	<u>Per Mile</u>
<u>Orlando/Tallahassee</u>		
Zone 1	\$6,072.00	\$336.00
Zone 2	6,248.00	348.00
Zone 3	6,425.00	360.00

(b) 3 Year Commitment Rates

<u>MSA</u>	<u>Monthly Rates</u>	
	<u>Fixed</u>	<u>Per Mile</u>
<u>Orlando/Tallahassee</u>		
Zone 1	\$5,060.00	\$280.00
Zone 2	5,210.00	290.00
Zone 3	5,355.00	300.00

(c) 5 Year Commitment Rates

<u>MSA</u>	<u>Monthly Rates</u>	
	<u>Fixed</u>	<u>Per Mile</u>
<u>Orlando/Tallahassee</u>		
Zone 1	\$4,610.00	\$255.00
Zone 2	4,700.00	265.00
Zone 3	4,820.00	275.00

(N)

ACCESS SERVICE TARIFF

Embarq Florida, Inc.
d/b/a CenturyLink
 By: Gary L. Kepley, Director

Fourth Revised Page 12
 Cancels Third Revised Page 12

(T)

Effective: July 2, 2013

E19. PRICE FLEXIBILITY SWITCHED ACCESS SERVICE

(N)

E19. PRICING FLEXIBILITY SWITCHED ACCESS SERVICE (Cont'd)

E19.4 Rates and Charges (Cont'd)

E19.4.1 Switched Transport (Cont'd)

(B) Direct-Trunked Transport (Cont'd)

(6) OptiPoint 48

(a) 3 Year Commitment Rates

<u>MSA</u>	<u>Monthly Rates</u>	
	<u>Fixed</u>	<u>Per Mile</u>
Orlando/Tallahassee		
Zone 1	\$12,200.00	\$580.00
Zone 2	12,600.00	600.00
Zone 3	13,000.00	650.00

(b) 5 Year Commitment Rates

<u>MSA</u>	<u>Monthly Rates</u>	
	<u>Fixed</u>	<u>Per Mile</u>
Orlando/Tallahassee		
Zone 1	\$11,000.00	\$525.00
Zone 2	11,400.00	550.00
Zone 3	11,800.00	575.00

(7) OptiPoint 192

(a) 3 Year Commitment Rates

<u>MSA</u>	<u>Monthly Rates</u>	
	<u>Fixed</u>	<u>Per Mile</u>
Orlando/Tallahassee		
Zone 1	\$22,265.00	\$1,155.00
Zone 2	24,050.00	1,250.00
Zone 3	25,971.00	1,350.00

(b) 5 Year Commitment Rates

<u>MSA</u>	<u>Monthly Rates</u>	
	<u>Fixed</u>	<u>Per Mile</u>
Orlando/Tallahassee		
Zone 1	\$20,240.00	\$1,050.00
Zone 2	21,860.00	1,135.00
Zone 3	23,610.00	1,225.00

(N)

ACCESS SERVICE TARIFF

Embarq Florida, Inc.
d/b/a CenturyLink
 By: Gary L. Kepley, Director

Fourth Revised Page 13
 Cancels Third Revised Page 13

(T)

Effective: July 2, 2013

E19. PRICE FLEXIBILITY SWITCHED ACCESS SERVICE

(N)

E19. PRICING FLEXIBILITY SWITCHED ACCESS SERVICE (Cont'd)

E19.4 Rates and Charges (Cont'd)

E19.4.1 Switched Transport (Cont'd)

(B) Direct-Trunked Transport (Cont'd)

(8) STS1 (51.84 Mbps) – Per STS1

<u>MSA</u>	<u>Monthly Rates</u>	
	<u>Fixed</u>	<u>Per Mile</u>
Orlando/Tallahassee		
Zone 1	\$759.00	\$170.00
Zone 2	790.00	180.00
Zone 3	1,000.00	192.00

(C) Tandem Switched Transport

(1) Dedicated Trunk Port

(a) Per DSO

<u>MSA</u>	<u>Monthly Rate</u>
Orlando/Tallahassee	\$7.50

(b) Per DS1

<u>MSA</u>	<u>Monthly Rate</u>
Orlando/Tallahassee	\$160.00

**(2) Dedicated Multiplexing
 DS3 to DS1**

<u>MSA</u>	<u>Monthly Rates</u>	<u>Nonrecurring Charges</u>
Orlando/Tallahassee		
Zone 1	\$400.00	\$100.00
Zone 2	\$460.00	\$100.00
Zone 3	\$575.00	\$100.00

(N)

ACCESS SERVICE TARIFF

Embarq Florida, Inc.
d/b/a CenturyLink
 By: Gary L. Kepley, Director

Fourth Revised Page 14
 Cancels Third Revised Page 14

(T)

Effective: July 2, 2013

E19. PRICE FLEXIBILITY SWITCHED ACCESS SERVICE

(N)

E19. PRICING FLEXIBILITY SWITCHED ACCESS SERVICE (Cont'd)

E19.4 Rates and Charges (Cont'd)

E19.4.1 Switched Transport (Cont'd)

(D) Optional Features

(1) Multiplexing

(a) DS1 to Voice Grade

<u>MSA</u>	<u>Monthly Rates</u>	<u>Nonrecurring Charges</u>
Orlando/Tallahassee		
Zone 1	\$320.00	\$150.00
Zone 2	385.00	150.00
Zone 3	400.00	150.00

(b) DS3 to DS1

<u>MSA</u>	<u>Monthly Rates</u>	<u>Nonrecurring Charges</u>
Orlando/Tallahassee		
Zone 1	\$400.00	\$100.00
Zone 2	460.00	100.00
Zone 3	575.00	100.00

(c) STS1 to DS1

<u>MSA</u>	<u>Monthly Rates</u>	<u>Nonrecurring Charges</u>
Orlando/Tallahassee		
Zone 1	\$375.00	\$250.00
Zone 2	420.00	250.00
Zone 3	575.00	250.00

(N)

ACCESS SERVICE TARIFF

Embarq Florida, Inc.
d/b/a CenturyLink
 By: Gary L. Kepley, Director

Fourth Revised Page 15
 Cancels Third Revised Page 15

(T)

Effective: July 2, 2013

E19. PRICE FLEXIBILITY SWITCHED ACCESS SERVICE

(N)

E19. PRICING FLEXIBILITY SWITCHED ACCESS SERVICE (Cont'd)

E19.4 Rates and Charges (Cont'd)

E19.4.1 Switched Transport (Cont'd)

(D) Optional Features (Cont'd)

(2) OptiPoint Configuration Node

(a) OC3 – Per Arrangement

MSA	1 Year	3 Year	5 Year	Month-to Month
Orlando/Tallahassee				
Zone 1	\$166.00	\$155.00	\$140.00	\$190.00
Zone 2	180.00	165.00	155.00	200.00
Zone 3	210.00	195.00	165.00	240.00

(b) OC12 – Per Arrangement

MSA	1 Year	3 Year	5 Year	Month-to Month
Orlando/Tallahassee				
Zone 1	\$840.00	\$700.00	\$600.00	\$930.00
Zone 2	900.00	750.00	650.00	990.00
Zone 3	960.00	800.00	700.00	1,060.00

(c) OC48 – Per Arrangement

MSA	1 Year	3 Year	5 Year	Month-to Month
Orlando/Tallahassee				
Zone 1	N/A	\$775.00	\$660.00	N/A
Zone 2	N/A	840.00	720.00	N/A
Zone 3	N/A	920.00	800.00	N/A

(d) OC192– Per Arrangement

MSA	1 Year	3 Year	5 Year	Month-to Month
Orlando/Tallahassee				
Zone 1	N/A	\$2,335.00	\$2,120.00	N/A
Zone 2	N/A	2,520.00	2,290.00	N/A
Zone 3	N/A	2,725.00	2,475.00	N/A

(N)

ACCESS SERVICE TARIFF

Embarq Florida, Inc.
d/b/a CenturyLink
 By: Gary L. Kepley, Director

Fourth Revised Page 16
 Cancels Third Revised Page 16

(T)

Effective: July 2, 2013

E19. PRICE FLEXIBILITY SWITCHED ACCESS SERVICE

(N)

E19. PRICING FLEXIBILITY SWITCHED ACCESS SERVICE (Cont'd)

E19.4 Rates and Charges (Cont'd)

E19.4.1 Switched Transport (Cont'd)

(D) Optional Features (Cont'd)

(3) OptiPoint Configuration Card

(a) OC3 – Per Arrangement

1. 1 Year Commitment Rates

<i>MSA</i>	<i>Zone 1</i>	<i>Zone 2</i>	<i>Zone 3</i>
<i>Orlando/Tallahassee</i>			
<i>DS1</i>	<i>\$24.00</i>	<i>\$30.00</i>	<i>\$36.00</i>
<i>DS3</i>	<i>66.00</i>	<i>72.00</i>	<i>78.00</i>
<i>OC3 Concatenated</i>	<i>384.00</i>	<i>414.00</i>	<i>450.00</i>
<i>STS1</i>	<i>72.00</i>	<i>78.00</i>	<i>84.00</i>

2. 3 Year Commitment Rates

<i>MSA</i>	<i>Zone 1</i>	<i>Zone 2</i>	<i>Zone 3</i>
<i>Orlando/Tallahassee</i>			
<i>DS1</i>	<i>\$20.00</i>	<i>\$25.00</i>	<i>\$30.00</i>
<i>DS3</i>	<i>55.00</i>	<i>60.00</i>	<i>65.00</i>
<i>OC3 Concatenated</i>	<i>320.00</i>	<i>345.00</i>	<i>375.00</i>
<i>STS1</i>	<i>60.00</i>	<i>65.00</i>	<i>70.00</i>

3. 5 Year Commitment Rates

<i>MSA</i>	<i>Zone 1</i>	<i>Zone 2</i>	<i>Zone 3</i>
<i>Orlando/Tallahassee</i>			
<i>DS1</i>	<i>\$15.00</i>	<i>\$20.00</i>	<i>\$25.00</i>
<i>DS3</i>	<i>50.00</i>	<i>55.00</i>	<i>60.00</i>
<i>OC3 Concatenated</i>	<i>275.00</i>	<i>305.00</i>	<i>330.00</i>
<i>STS1</i>	<i>55.00</i>	<i>60.00</i>	<i>65.00</i>

(N)

ACCESS SERVICE TARIFF

Embarq Florida, Inc.
d/b/a CenturyLink
 By: Gary L. Kepley, Director

Fourth Revised Page 17
 Cancels Third Revised Page 17

(T)

Effective: July 2, 2013

E19. PRICE FLEXIBILITY SWITCHED ACCESS SERVICE

(N)

E19. PRICING FLEXIBILITY SWITCHED ACCESS SERVICE (Cont'd)

E19.4 Rates and Charges (Cont'd)

E19.4.1 Switched Transport (Cont'd)

(D) Optional Features (Cont'd)

(3) OptiPoint Configuration Card (Cont'd)

(b) OC12 – Per Arrangement

1. 1 Year Commitment Rates

MSA	Zone 1	Zone 2	Zone 3
Orlando/Tallahassee			
DS1	\$24.00	\$30.00	\$36.00
DS3	66.00	72.00	78.00
OC3	174.00	186.00	198.00
OC3 Concatenated	198.00	246.00	294.00
OC12 Concatenated	3,480.00	3,600.00	3,720.00
STS1	72.00	78.00	84.00

2. 3 Year Commitment Rates

MSA	Zone 1	Zone 2	Zone 3
Orlando/Tallahassee			
DS1	\$20.00	\$25.00	\$30.00
DS3	55.00	60.00	65.00
OC3	145.00	155.00	165.00
OC3 Concatenated	165.00	205.00	245.00
OC12 Concatenated	2,900.00	3,000.00	3,100.00
STS1	60.00	65.00	70.00

3. 5 Year Commitment Rates

MSA	Zone 1	Zone 2	Zone 3
Orlando/Tallahassee			
DS1	\$15.00	\$20.00	\$25.00
DS3	50.00	55.00	60.00
OC3	130.00	140.00	150.00
OC3 Concatenated	145.00	165.00	205.00
OC12 Concatenated	2,800.00	2,900.00	3,000.00
STS1	55.00	60.00	65.00

(N)

ACCESS SERVICE TARIFF

Embarq Florida, Inc.
d/b/a CenturyLink
 By: Gary L. Kepley, Director

Third Revised Page 17.1
 Cancels Second Revised Page 17.1

(T)

Effective: July 2, 2013

E19. PRICE FLEXIBILITY SWITCHED ACCESS SERVICE

(N)

E19. PRICING FLEXIBILITY SWITCHED ACCESS SERVICE (Cont'd)

E19.4 Rates and Charges (Cont'd)

E19.4.1 Switched Transport (Cont'd)

(D) Optional Features (Cont'd)

(3) OptiPoint Configuration Card (Cont'd)

(c) OC48 – Per Arrangement

1. 3 Year Commitment Rates

<u>MSA</u>	<u>Zone 1</u>	<u>Zone 2</u>	<u>Zone 3</u>
<u>Orlando/Tallahassee</u>			
DS3	\$90.00	\$100.00	\$110.00
OC3	250.00	300.00	400.00
OC12	400.00	500.00	600.00
OC3 Concatenated	275.00	330.00	440.00
OC12 Concatenated	440.00	550.00	660.00
STS1	100.00	110.00	120.00

2. 5 Year Commitment Rates

<u>MSA</u>	<u>Zone 1</u>	<u>Zone 2</u>	<u>Zone 3</u>
<u>Orlando/Tallahassee</u>			
DS3	\$85.00	\$95.00	\$105.00
OC3	200.00	275.00	300.00
OC12	375.00	425.00	475.00
OC3 Concatenated	220.00	305.00	330.00
OC12 Concatenated	415.00	470.00	525.00
STS1	85.00	95.00	105.00

(d) OC192 – Per Arrangement

1. 3 Year Commitment Rates

<u>MSA</u>	<u>Zone 1</u>	<u>Zone 2</u>	<u>Zone 3</u>
<u>Orlando/Tallahassee</u>			
DS3	\$130.00	\$140.00	\$155.00
OC3	285.00	320.00	395.00
OC12	540.00	585.00	630.00
OC48	1,620.00	1,750.00	1,890.00
OC3 Concatenated	320.00	350.00	400.00
OC12 Concatenated	595.00	645.00	693.00
OC48 Concatenated	1,785.00	1,925.00	2,080.00
STS1	135.00	145.00	160.00

(N)

ACCESS SERVICE TARIFF

Embarq Florida, Inc.
d/b/a CenturyLink
 By: Gary L. Kepley, Director

Fourth Revised Page 17.2
 Cancels Third Revised Page 17.2

(T)

Effective: July 2, 2013

E19. PRICE FLEXIBILITY SWITCHED ACCESS SERVICE

(N)

E19. PRICING FLEXIBILITY SWITCHED ACCESS SERVICE (Cont'd)

E19.4 Rates and Charges (Cont'd)

E19.4.1 Switched Transport (Cont'd)

(D) Optional Features (Cont'd)

(d) OC192 – Per Arrangement (Cont'd)

2. 5 Year Commitment Rates

<u>MSA</u>	<u>Zone 1</u>	<u>Zone 2</u>	<u>Zone 3</u>
Orlando/Tallahassee			
DS3	\$120.00	\$130.00	\$155.00
OC3	260.00	290.00	395.00
OC12	490.00	530.00	630.00
OC48	1,470.00	1,590.00	1,890.00
OC3 Concatenated	290.00	320.00	400.00
OC12 Concatenated	540.00	585.00	693.00
OC48 Concatenated	1,620.00	1,750.00	2,080.00
STS1	125.00	135.00	160.00

(3) Optipoint-3, -12 and -48 Service Upgrades

- Per DS1 or DS3 Upgraded

<u>MSA</u>	<u>Nonrecurring Charge</u>
Orlando/Tallahassee	\$1,000.00

(4) OptiPoint Reconfiguration Charge

- Per DS3 Equivalent

<u>MSA</u>	<u>Nonrecurring Charge</u>
Orlando/Tallahassee	\$625.00

(5) OptiPoint Regeneration Charge

<u>MSA</u>	<u>1 Year</u>	<u>3 Year</u>	<u>5 Year</u>
Orlando/Tallahassee			
OC3	\$1,560.00	\$1,300.00	\$1,100.00
OC12	2,880.00	2,400.00	2,100.00
OC48	N/A	4,400.00	4,100.00
OC192	N/A	6,400.00	6,100.00

(N)

ACCESS SERVICE TARIFF

Embarq Florida, Inc.
d/b/a CenturyLink
By: Gary L. Kepley, Director

Sixth Revised Page 18
Cancels Fifth Revised Page 18

(T)

Effective: July 2, 2013

E19. PRICE FLEXIBILITY SWITCHED ACCESS SERVICE

(N)

E19. PRICING FLEXIBILITY SWITCHED ACCESS SERVICE (Cont'd)

E19.4 Rates and Charges (Cont'd)

E19.4.1 Switched Transport (Cont'd)

(E) Installation

- Per Line or Trunk

<u>MSA</u>	<u>Monthly Rates</u>
Orlando/Tallahassee	\$31.00

E19.4.2 Local Switching

(A) End Office Trunk Ports

<u>MSA</u>	<u>Monthly Rates</u>
Orlando/Tallahassee	
DS0	\$ 7.50
DS1	160.00

(N)

ACCESS SERVICE TARIFF

Embarq Florida, Inc.
d/b/a CenturyLink
By: Gary L. Kepley, Director

Fifth Revised Page 18.1
Cancels Fourth Revised Page 18.1

(T)

Effective: July 2, 2013

E19. PRICE FLEXIBILITY SWITCHED ACCESS SERVICE

This page hereby cancels the following pages:

***Fourth Revised Page 18.1.1
Third Revised Page 18.1.2
Fourth Revised Page 18.2
Second Revised Page 18.3
Fourth Revised Page 19
Fourth Revised Page 20
Third Revised Page 20.1
Third Revised Page 20.2
Second Revised Page 20.3
Second Revised Page 20.4
Third Revised Page 20.5
Second Revised Page 20.6
Second Revised Page 20.7
Third Revised Page 21
Third Revised Page 21.1
Second Revised Page 21.2
Second Revised Page 21.3
Second Revised Page 21.4
Second Revised Page 21.5
Second Revised Page 21.6
Second Revised Page 21.7
Third Revised Page 21.8
Second Revised Page 21.9
Second Revised Page 21.10
Second Revised Page 21.11
Third Revised Page 22
Second Revised Page 22.1
Third Revised Page 23
Second Revised Page 23.1
Second Revised Page 23.2
Second Revised Page 23.3
Second Revised Page 23.4
Third Revised Page 24
Third Revised Page 25
Second Revised Page 25.1
Second Revised Page 25.2
Second Revised Page 25.3
Second Revised Page 25.4
Second Revised Page 25.5
Second Revised Page 25.6
Second Revised Page 25.7
Second Revised Page 25.8***

***Third Revised Page 26
Third Revised Page 27
Second Revised Page 27.1
Second Revised Page 27.2
Second Revised Page 27.3
Second Revised Page 27.4
Fifth Revised Page 28
Fifth Revised Page 29
Fifth Revised Page 30
Third Revised Page 31
Third Revised Page 32
Third Revised Page 33
Third Revised Page 34
Third Revised Page 35
Third Revised Page 36
Third Revised Page 37
Third Revised Page 38
Third Revised Page 39
Second Revised Page 39.1
Second Revised Page 39.2
Second Revised Page 39.3
Second Revised Page 39.4
Second Revised Page 39.5
Second Revised Page 39.6
Second Revised Page 39.7
Fifth Revised Page 40
Fourth Revised Page 40.1
Third Revised Page 40.2
Third Revised Page 40.3
Third Revised Page 40.4
Third Revised Page 40.5
Third Revised Page 40.6
Third Revised Page 40.7
Third Revised Page 40.8
Third Revised Page 40.9
Third Revised Page 40.10
Third Revised Page 40.11
Third Revised Page 40.12
Third Revised Page 40.13
Third Revised Page 40.14
Third Revised Page 40.15***

***Third Revised Page 40.16
Third Revised Page 40.17
Third Revised Page 40.18
Third Revised Page 40.19
Third Revised Page 40.20
Third Revised Page 40.21
Third Revised Page 40.22
Third Revised Page 40.23
Third Revised Page 40.24
Fourth Revised Page 40.25
Fourth Revised Page 41
Sixth Revised Page 42
Third Revised Page 43
Third Revised Page 44
Third Revised Page 45***

(C)

(C)