



F. B. (Ben) Poag  
Director - Regulatory

**Regulatory Affairs**  
FETLH00201  
1313 Blair Stone Road  
Tallahassee, FL 32301  
Voice 850 599 1027  
Fax 850 878 0777  
ben.poag@mail.sprint.com

May 4, 2006

Ms. Beth Salak  
Director, Division of Competitive Markets and Enforcement  
Attention: Tariff Section  
Florida Public Service Commission  
2540 Shumard Oak Boulevard  
Tallahassee, Florida 32399-0850

**RE: TL727, Embarq Florida, Inc. - Access Service Tariff**

Dear Ms. Salak:

Attached for filing is the original and one (1) copy, including a CD, of the entire revised Access Service Tariff to reflect the company name change from Sprint-Florida, Incorporated to Embarq Florida, Inc. This filing is submitted with a proposed effective date of June 5, 2006. Embarq's tariffs are available at website: [www.sprint.com/tariffs](http://www.sprint.com/tariffs).

Commission consideration and timely approval of these pages are respectfully requested. If you have any questions or need additional information regarding this filing, please contact me at (850) 599-1027.

Sincerely,

F. Ben Poag  
Director - Regulatory Affairs

Attachments

cc: Nancy Schnitzer

**AFFIDAVIT**

Regarding the access service tariff filing made on May 4, 2006 with an effective date of June 5, 2006 to effect change to the company name in the state of Florida from Sprint - Florida Incorporated to Embarq Florida, Inc.;

I, Brad Gasper, am an authorized agent of the applicant corporation, Embarq Florida, Inc., and am authorized to make this statement on its behalf. I attest that no terms, conditions or rates have been changed in these tariffs. I declare under penalty of perjury that the foregoing is true and correct.

Executed on April 24, 2006 at Overland Park, Kansas  
(Date) (Location)



Brad Gasper — Manager – Regulatory Affairs  
\*(Signature and Title)

Subscribed and sworn to before me this 24<sup>th</sup> day of April 2006.

Susan Skaman  
Notary Public  
My Commission Expires: 3/24/09

ACCESS SERVICE TARIFF

Embarq Florida, Inc.  
By: F. B. Poag, Director

Third Revised Page 1  
Cancels Second Revised Page 1

Effective: April 11, 2003

SUBJECT INDEX

SUBJECT	A.	SECTION
Acceptance Testing, Dedicated		E7.1
Acceptance Testing, Switched		E6.1
Access Connection		E7
Access Order Modifications		E5.2
Access Orders		E5.2
Access Service of Local Exchange Companies' Completion of IntraLATA- Intercompany Long Distance MTS and WATS Calls		E16
Additional Labor		E13.2
Additional Cooperating Acceptance Testing (ACAT)		E13.3
Additional Engineering		E13.1
Alternate Use		E7.1
Analog Services (Dedicated Access Service)		E7.1
Application Fee		E17.1
Application of Tariff		E1
Assignment or Transfer of Service (General Regulation Limitations)		E2.1
Audit Provisions for Payment of Coin Sent-Paid Monies		E3.6
Automatic Scheduled Testing (AST)		E13.3
Automatic Number Identification		E6.3
Availability for Testing		E2.3
Available Inventory		E5.2

Tariff Page revised 6/5/2006 to reflect company name change from Sprint to Embarq.

ACCESS SERVICE TARIFF

Embarq Florida, Inc. d/b/a CenturyLink  
By: Gary L. Kepley, Director

Fifth Revised Page 2 (T)  
Cancels Fourth Revised Page 2 (T)

Effective: January 15, 2017

SUBJECT INDEX

SUBJECT	B.	SECTION	
Balance		E2.3	
Billing of Access Service Provided by Multiple Companies		E2.4	
Billing Information (Provision of Access Service)		E13.3	
Bipolar with 8 Zero Substitution (B8ZS)		E2.6	
Bridging		E7.5	(D)

ACCESS SERVICE TARIFF

Embarq Florida, Inc. d/b/a CenturyLink  
By: Gary L. Kepley, Director

Eighth Revised Page 3 (T)  
Cancels Seventh Revised Page 3 (T)

Effective: January 15, 2017

SUBJECT INDEX

SUBJECT	C.	SECTION
Calling Party Number		E6.2, E6.3, E6.8
Cancellation of an Access Order		E5.2
Cancellation of an Order for Service		E2.4
Carrier Common Line Access		E3
Carrier Selection Parameter		E6.2, E6.3
Change of Feature Group Type		E6.7
Changes and Substitutions		E2.1
Channel Interface and Network Channel Codes		E7.3
Charge Number		E6.2, E6.3, E6.8
Claims and Demands for Damage		E2.3
Clear Channel Capability		E7.2
CLEC Competitive Local Exchange Carrier		E13.3.8
CLEC Customer		E13.3.8
Code Screening Reports		E6.6
Collocation		E17.1
Concurring Carriers		E1.2
Conditioning		E7.5
Connections		E2.5
Contract Service Arrangements		E12.3
Cooperative Scheduled Testing (CST)		E13.3
Credit Allowance for Directory Assistance Service		E9.4
Credit Allowance for Service Interruptions		E2.4
Customized Routing		E19.2

(D)

ACCESS SERVICE TARIFF

Embarq Florida, Inc.  
By: F. B. Poag, Director

Fifth Revised Page 4  
Cancels Fourth Revised Page 4

Effective: April 11, 2003

SUBJECT INDEX

SUBJECT	D.	SECTION
Damages		E2.3
Data Transmission Parameters		E6.4
Dedicated Access Line Service		E6.1, E6.8
Dedicated Access Line Transmission Specifications		E6.4
Dedicated Access Services		E7
Dedicated Access Services Capable of Using the Local Exchange Network		E7.4
Definitions		E2.6
Deposits		E2.4
Design Change Charges (Access Order Modifications)		E5.2
Design of IC Services		E2.3
Design Layout Report		E6.1, E7.1, E9.2
Design and Traffic Routing of Switched Access Service		E6.5
Design Blocking Probability		E6.5
Determination of Intrastate Charges for Mixed Interstate and Intrastate Access Service, CCS/SS7 Interconnection and/or LIDB Service		E2.3
Digital Data Service		E7.2, E7.5, E107
Digital Hierarchy and Channel Interface Codes		E6.1
Directory Access Service		E9.2
Directory Assistance Service		E9.2
Directory Transport		E9.2
Discontinuance and Refusal of Service		E2.1
Diversity		E11.2

Tariff Page revised 6/5/2006 to reflect company name change from Sprint to Embarq.

ACCESS SERVICE TARIFF

Embarq Florida, Inc. d/b/a CenturyLink  
 By: Gary L. Kepley, Director

Sixth Revised Page 5 (T)  
 Cancels Fifth Revised Page 5

Effective: January 15, 2017

SUBJECT INDEX

SUBJECT	E.	SECTION	
End Office		E6.8	
End Office Call Termination		E19.3	
End User Common Line Charge	See CenturyLink Operating Companies Tariff, FCC No. 9, Section 4, End User Access Services		(D)
Equal Access Exchange Areas (EAEA)		E10.2	
Equipment Space and Power		E2.3	
Expanded Interconnection		E17	
	F.		
Facility Hubs		E7.4	
Feature Group A		E6.2	
Feature Group B		E6.2	
Feature Group C		E6.2	
Feature Group D		E6.2	
Frame Relay		E18	
Frame Relay Service	See <b>Local Terms of Service</b> , Section A29		(T)
	G.		
General Regulations		E2	
Gross Receipts Tax		E2.4	

ACCESS SERVICE TARIFF

Embarq Florida, Inc. d/b/a CenturyLink  
 By: Gary L. Kepley, Director

Fifth Revised Page 6 (T)  
 Cancels Fourth Revised Page 6 (T)

Effective: January 15, 2017

SUBJECT INDEX

SUBJECT	H.	SECTION	
High Capacity Services		E7.2, E7.5, E107	
	I.		
Installation Charges		E6.8	
Installation and Termination of Service		E2.1	
Integrated Services Digital Network - Basic Rate Interface (ISDN-BRI)			
		See <b>Local Terms of Service</b> , Section A29	(T)
Integrated Services Digital Network - Primary Rate Interface (ISDN-PRI)			
		See <b>Local Terms of Service</b> , Section A29	(T)
Interconnection of Mobile Services			
		See <b>Local Terms of Service</b> , Section A25	(T)
Interface Codes		E6.1	
Interface Groups		E6.1	
Interference or Impairment		E2.2	
IntraLATA Toll Presubscription		E13.3	(D)
Inward Operator Services		E15	
	J.		
Jurisdictional Reports		E2.3, E7.1	
	K.		



ACCESS SERVICE TARIFF

Embarq Florida, Inc. d/b/a CenturyLink  
 By: Gary L. Kepley, Director

Seventh Revised Page 7 (T)  
 Cancels Sixth Revised Page 7 (T)

Effective: January 15, 2017

SUBJECT INDEX

SUBJECT	L.	SECTION	
LATA Configurations		E10	
Late Payment Penalty (General Regulations)		E2	
Liability (General Regulations)		E2.1	(D)
			(D)
Limitations		E2.1, E3.2	
Local Service Provider (LSP)		E13.3.8	
Local Switching		E6.1, E6.3, E6.8	
Local Switching Optional Features		E6.3	
Local Transport		E6.2, E6.8	
Loop Transfer		E7.5	
	M.		
Maintenance of IC Records		E2.3	
Maintenance of Service		E2.1	
Manual Scheduled Testing (MST)		E13.3	(D)
			(D)
Measuring Access Minutes		E6.7	(D)
			(D)
Message Unit Credit		E6.7	
Metallic Facilities		E2.1	
Mileage Measurement		E7.4, E10.4	
Minimum Capacity Requirements		E5.3	
Minimum Monthly Charges		E6.7	(D)
			(D)
Minimum Period		E2.4, E5.2, E6.7, E7.4, E9.4	
Miscellaneous Services		E13.3	
Moves		E6.7, E7.4, E9.4	
Multiplexing		E7.1, E7.5	
Multiplexing, Local Network Interconnection		E19.3	
Multipoint Service		E7.1	

Tariff Page revised 6/5/2006 to reflect company name change from Sprint to Embarq.

ACCESS SERVICE TARIFF

Embarq Florida, Inc.  
By: F. B. Poag, Director

Fourth Revised Page 8  
Cancels Third Revised Page 8

Effective: April 11, 2003

SUBJECT INDEX

SUBJECT	N.	SECTION
Network Blockage		E2.3
Network Blocking for Feature Group		E6.7
Network Compatibility and Standards		E17.1
Network Contingencies Coordination		E2.1, E2.3
Network Interface (NI) Combination		E7.1
Network Management		E6.5
Nonchargeable Optional Features		E6.1
Nonrecurring Charges		E6.1, E6.7, E7.4
Nonscheduled Testing (NST)		E13.3
Number Provision		E9.2
O.		
Obsolete		E107
Operator Transfer Service (OTS)		E15.2
Optional Payment Plan		E2.4
OptiPoint Services		E6.2
Ordering Options for Switched and Dedicated Access Service		E5
Ordering Conditions		E5.1
Ordering Options and Conditions		E6.1, E7.1
Overtime Installation - Labor and/or Repair		E13.2
Overtime Installation		E13.2
Overtime Repair		E13.2
Ownership of Facilities and Theft		E2.3

Tariff Page revised 6/5/2006 to reflect company name change from Sprint to Embarq.

ACCESS SERVICE TARIFF

Embarq Florida, Inc.  
**d/b/a CenturyLink**  
 By: Gary L. Kepley, Director

7th Revised Page 9  
 Cancels 6th Revised Page 9

(T)

Effective: July 2, 2013

SUBJECT INDEX

SUBJECT	P.	SECTION
Partial Cancellation Charge		E5.2
Payment Arrangements and Credit Allowances		E2.4, E3.5
Payment of Rates, Charges and Deposits		E2.4
Physical Collocation		E17
PIC Switchback Service	See CenturyLink Operating Companies Tariff FCC No. 9, Section 13, Miscellaneous Services	
Presubscription		E13.3
Presubscription Charge	See CenturyLink Operating Companies Tariff FCC No. 9, Section 13, Miscellaneous Services	
<b>Price Flexibility Switched Access Service</b>		<b>E19</b>
Proof of Certification		E2.3
Protective Connecting Arrangements		E13.3
Provision and Ownership of Telephone Numbers		E2.1
Provision of Access Service Billing Information		E13.3
Provision of Other Services		E5.1
Provision of Service		E2.1, E6.1, E9.1
Provision of Specialized Service or Arrangements		E12.1

(N)

ACCESS SERVICE TARIFF

Embarq Florida, Inc.  
By: F. B. Poag, Director

Fourth Revised Page 10  
Cancels Third Revised Page 10

Effective: April 11, 2003

SUBJECT INDEX

SUBJECT	Q.	SECTION
Quotation Charge		E2.1

Tariff Page revised 6/5/2006 to reflect company name change from Sprint to Embarq.

ACCESS SERVICE TARIFF

Embarq Florida, Inc.  
By: F. B. Poag, Director

Third Revised Page 11  
Cancels Second Revised Page 11

Effective: April 11, 2003

SUBJECT INDEX

SUBJECT	R.	SECTION
Rate Categories		E6.1, E7.1
Rate Regulations		E3.7, E6.7, E7.4 E9.5, E16.3, E18.1
Rates and Charges		E3.8, E6.8, E7.5, E9.5 E16.4, E17.1, E18.1
Re-establishment of Service Following Fire, Flood or Other Occurrence		E2.4
References to the Company		E2.3
Refusal and Discontinuance of Service		E2.1
Resale of WATS-Type and WATS Services (Switched Access Service)		E6

Tariff Page revised 6/5/2006 to reflect company name change from Sprint to Embarq.

ACCESS SERVICE TARIFF

Embarq Florida, Inc.  
By: Gary L. Kepley, Director

6th Revised Page 12  
Cancels 5th Revised Page 12 (T)

Effective: March 14, 2011

SUBJECT INDEX

SUBJECT	S.	SECTION	
Secondary Channel		E7.2	
Service Rearrangements		E6.7, E7.4	
Service Date Change Charge		E5.2	
Service Performance Data		E6.5	
Service-Affecting Activities		E2.1	
Shared Use		E6.7	
Shared Use of Digital High Capacity Service		E7.4	
Slamming - PIC Switchback Service		See CenturyLink Operating Companies Tariff FCC No. 9, Section 13, Miscellaneous Services	(T) (T)
Space		E17.1	
Special Construction		E5.1, E14	
Special Facilities Routing		E6.1, E7.1, E9.2, E11.1	
Special Promotions		E2.7	
Specialized Service or Arrangements		E12	
Stand By		E13.2	
Standard Transmission Specifications		E6.4	
Subscriber Line Charge (SLC)		See CenturyLink Operating Companies Tariff FCC No. 9, Section 4, End User Access Services	(T) (T)
Supervisory Signaling		E6.6	
Switched Access Service		E6	
Switched Access Service for Resale of Other IC Service		E6.7	

ACCESS SERVICE TARIFF

Embarq Florida, Inc.  
By: F. B. Poag, Director

Fourth Revised Page 13  
Cancels Third Revised Page 13

Effective: April 11, 2003

SUBJECT INDEX

SUBJECT	T.	SECTION
Telecommunications Service Priority (TSP) System		E13.3
Telephone Numbers		E2.1
Temporary Facilities		E14.2
Temporary Surrender of a Service		E2.4
Testing Services		E13.3
Theft		E2.3
Title or Ownership Rights		E2.4
Toll Free Code (TFC) Access Service		E6.2
Traffic Routing of Switched Access Service		E6.5
Transfer of Service (Limitations)		E2.1
Transmission Specifications		E6.4
Transport Termination Optional Features		E6.3
Trouble Location Charges		E13.3
Trunk Group Measurement Reports		E6.5, E6.6
Two Point Service		E7.1
	U.	
Undertaking of the Company		E2.1
Unlawful Use		E2.2
Use of an Alternative Service Provided by the Company		E2.4
User to Network Interface (UNI)		E18.1

Tariff Page revised 6/5/2006 to reflect company name change from Sprint to Embarq.



ACCESS SERVICE TARIFF

Embarq Florida, Inc.  
**d/b/a CenturyLink**  
 By: Gary L. Kepley, Director

5th Revised Page 14  
 Cancels 4th Revised Page 14 (T)

Effective: July 2, 2013

SUBJECT INDEX

SUBJECT	V.	SECTION	
Verification Service		E15.2	
Virtual Collocation		E17	
Voice Grade Service		E7.2, E7.5	
Voice over Internet Protocol		E2.3.14	
	W.		
	X.		
	Y.		
	Z.		
Zone Density (Dedicated Access)		E7.4	
Zone Density (Switched Access)		<b>E6.1.3 H, E6.7</b>	(C)
<b>Zone Density (Price Flexibility Switched Access)</b>		<b>E19</b>	(N)

NUMERICS

900 Access Service	E6.2
--------------------	------

ACCESS SERVICE TARIFF

Embarq Florida, Inc. d/b/a CenturyLink  
By: **Christy V. Londerholm**, Director

Fifth Revised Page 1  
Cancels Fourth Revised Page 1  
Effective: August 20, 2017

(T)

E1. APPLICATION OF TARIFF  
CONTENTS

E1.1 General

- A. This Tariff contains regulations, rates and charges applicable to the provision of Carrier Common Line, Switched Access Services, Dedicated Access Services, and other miscellaneous services, hereinafter referred to as service(s), provided by Embarq Florida, Inc.<sup>1</sup>, hereinafter referred to as the Company, to Interexchange Carriers, hereinafter referred to as IC(s) and/or customer, Competitive Local Exchange Companies (CLECs) (as defined in E2.6), and to end users.
- B. This tariff replaces those previously filed with the Florida Public Service Commission for United Telephone Company of Florida and for Central Telephone Company of Florida.

United Telephone of Florida is herein referred to as United Telephone and Central Telephone Company of Florida is Central Telephone. Following are the exchanges in which Access Services are available in Florida for United Telephone and Central Telephone.

Note 1: Wherever in this Tariff the term "Company" or the name "Embarq Florida, Inc." or the name "United Telephone of Florida" or the name "United Telephone" or the name "Central Telephone Company of Florida" or the name "Central Telephone" or the name "Embarq" appears, that shall mean and shall refer to Embarq Florida, Inc. d/b/a CenturyLink, unless the context clearly indicates otherwise.

United Telephone (United Telephone Company of Florida) [1]

(C)

Apopka, Arcadia, Astor, Avon Park, Belleview, Beverly Hills, Boca Grande, Bonita Springs, Bowling Green, Bushnell, Cape Coral, Cape Haze, Clermont, Clewiston, Crystal River, Dade City, Eustis, Everglades, Forest, Fort Meade, Fort Myers, Fort Myers Beach, Groveland, Howey-in-the-Hills, Immokalee, Inverness, Kenansville, Kissimmee, LaBelle, Lady Lake, Lake Placid, Leesburg, Lehigh Acres, Marco Island, Montverde, Moore Haven, Mount Dora, Naples, North Naples, Ocala, Ocklawaha, Okeechobee, Orange City, Port Charlotte, Punta Gorda, Reedy Creek, Saint Cloud, Salt Springs, San Antonio, Sanibel-Captiva Islands, Sebring, Silver Springs Shores, Tavares, Trilacoochee, Umatilla, Wauchula, Weirsdale, West Kissimmee, Wildwood, Williston, Windermere, Winter Garden, Winter Park, Zolfo Springs

**[1] Effective October 15, 2016, rate center consolidations resulted in the following revisions to this list of exchanges:**

(N)

- **Cape Coral includes the geographical area formerly served by the North Cape Coral and North Fort Myers exchanges.**
- **Crawfordville includes the geographical area formerly served by the Sopchoppy exchange.**
- **Inverness includes the geographical area formerly served by the Homosassa Springs (including Chassahowitzka) exchange.**
- **Lake Placid includes the geographical area formerly served by the Spring Lake exchange.**
- **Sanibel Island includes the geographical area formerly served by the Pine Island exchange.**
- **St. Marks includes the geographical area formerly served by the Panacea exchange.**

(N)

ACCESS SERVICE TARIFF

Embarq Florida, Inc. d/b/a CenturyLink  
By: **Christy V. Londerholm**, Director

Third Revised Page 2  
Cancels Second Revised Page 2 (T)  
Effective: August 20, 2017

E1. APPLICATION OF TARIFF  
CONTENTS

E1.1 General (Cont'd)

B. (Cont'd)

Central Telephone (Central Telephone Company of Florida) [1] (C)

**Bonifay**, Cherry Lake, Cottondale, Crawfordville, Crestview, DeFuniak Springs, Destin, Fort Walton Beach, Freeport, **Glendale**, **Greenville**, Greenwood, Kingsley Lake, **Lawtey**, **Madison**, **Marianna**, Monticello, Ponce de Leon, Reynolds Hill, St. Marks, Santa Rosa Beach, Seagrove Beach, Shalimar, Sneads, Starke, **Tallahassee**, **Westville** (D)  
(D)

C. Explanation of Symbols

When changes are made in any tariff sheet, a revised sheet will be issued canceling the tariff sheet affected. Changes will be identified through the use of the following symbols:

- (C) To signify changed regulation or tariff.
- (D) To signify discontinued rate, regulation or text.
- (I) To signify increase.
- (M) To signify a move from one sheet to another with no change in text, regulation or tariff.
- (N) To signify new rate, regulation or text.
- (O) To signify obsoleted rate, regulation or text, and a move to the obsolete service offerings section.
- (R) To signify reduction.
- (S) To signify reissued matter.
- (T) To signify change in text, but no change in rate or regulation.

**[1] Effective July 11, 2017, rate center consolidations resulted in the following revisions to this list of exchanges:** (N)

- **Cherry Lake includes the geographical area formerly served by the Lee exchange.**
- **Crestview includes the geographical area formerly served by the Baker exchange.**
- **Destin includes the geographical area formerly served by the Valparaiso exchange.**
- **Greenwood includes the geographical areas formerly served by the following exchanges: Alford, Grand Ridge, and Malone.** (N)

ACCESS SERVICE TARIFF

Embarq Florida, Inc.  
By: F. B. Poag, Director

First Revised Page 3  
Cancels Original Page 3

Effective: January 1, 1997

E1. APPLICATION OF TARIFF

CONTENTS

E1.1 General (Cont'd)

C. Explanation of Symbols (Cont'd)

(V) To signify new vintage rates applicable only to new installations and additions to existing installations.

+ To signify that the marginal notation directly above it is continued down vertically to the next appearance of the same marginal notation.

D. The provision of such services by the Company as set forth in this Tariff does not constitute a joint undertaking with the IC for the furnishing of any service.

E. The regulations, rates, and charges contained herein are in addition to the applicable regulations, rates, and charges specified in other tariffs of the Company which are referenced herein.

E1.2 Concurring Carriers

A. The following Florida Independent Telephone Companies concur in this Tariff:

None

Tariff Page revised 6/5/2006 to reflect company name change from Sprint to Embarq.

ACCESS SERVICE TARIFF

Embarq Florida, Inc.  
 BY: **Gary L. Kepley, Director**

**3rd** Revised Page 1  
 Cancels **2nd** Revised Page 1 (T)

Effective: **December 29, 2011**

E2. GENERAL REGULATIONS

CONTENTS

	<u>Page</u>	
E2.1	1	Undertaking of the Company
E2.1.1	1	Scope
E2.1.2	2	Limitations
E2.1.3	3	Liability
E2.1.4	6	Provision of Services
E2.1.5	7	Installation and Termination of Services
E2.1.6	7	Maintenance of Services
E2.1.7	7	Changes and Substitutions
E2.1.8	8	Refusal and Discontinuance of Service
E2.1.9	10	Limitation of Use of Metallic Facilities
E2.1.10	11	Notification of Service-Affecting Activities
E2.1.11	11	Coordination with Respect to Network Contingencies
E2.1.12	11	Provision and Ownership of Telephone Numbers
E2.2	12	Use
E2.2.1	12	Interference or Impairment
E2.2.2	12	Unlawful Use
E2.3	13	Obligations of the IC
E2.3.1	13	Damages
E2.3.2	13	Ownership of Facilities and Theft
E2.3.3	13	Equipment Space and Power
E2.3.4	14	Availability for Testing
E2.3.5	14	Balance
E2.3.6	14	Design of IC Services
E2.3.7	14	References to the Company
E2.3.8	15	Claims and Demands for Damages
E2.3.9	16	Network Blockage
E2.3.10	16	Coordination with Respect to Network Contingencies
E2.3.11	16	Jurisdictional Report Requirements
E2.3.12	29	Determination of Intrastate Charges for Mixed Interstate and Intrastate Access Service, CCS/SS7 Interconnection and/or LIDB Service
E2.3.13	29	Proof of Certification
<b>E2.3.14</b>	<b>30.1</b>	<b>Identification and Rating of VoIP-PSTN Traffic</b> (N)

(D)

ACCESS SERVICE TARIFF

Embarq Florida, Inc.  
BY: **Gary L. Kepley, Director**

**2nd Revised Page 2**  
Cancels **1st Revised Page 2** (T)  
Effective **December 29, 2011**

E2. GENERAL REGULATIONS

CONTENTS

	<u>Page</u>	
E2.4	<b>30.6</b>	(T)
Payment Arrangements and Credit Allowances		
E2.4.1	<b>30.6</b>	(T)
Payment of Rates, Charges, and Deposits		
E2.4.2	37	
Minimum Periods		
E2.4.3	38	
Cancellation of an Order for Service		
E2.4.4	39	
Credit Allowance for Service Interruptions		
E2.4.5	43	
Provision of Gross Receipts Tax		
E2.4.6	43	
Re-establishment of Service Following Fire, Flood or Other Occurrence		
E2.4.7	44	
Title or Ownership Rights		
E2.4.8	44	
Billing or Access Service Provided by Multiple Companies		
E2.4.9	50	
Optional Payment Plan		
E2.5	55	
Connections		
E2.5.1	55	
General		
E2.6	56	
Definitions		
E2.7	91	
Special Promotions		
E2.7.1	91	
Regulations		
E2.7.2	91	
Descriptions		

(D)

ACCESS SERVICE TARIFF

Embarq Florida, Inc.  
By: F. B. Poag, Director

First Revised Page 1  
Cancels Original Page 1

Effective: January 1, 1997

E2. GENERAL REGULATIONS

E2.1 Undertaking of the Company

E2.1.1 Scope

- A. The Company does not undertake to transmit messages under this Tariff.
- B. The Company shall be responsible only for the installation, operation and maintenance of the service it provides.
- C. The Company will, for maintenance purposes, test its services only to the extent necessary to detect and/or clear troubles.
- D. Services are provided 24 hours daily, seven days per week except as set forth in other applicable sections of this Tariff.
- E. The Company has the authority to disconnect the End User's service for nonpayment of the IC charges billed to the End User by the Company.
- F. The Company does not warrant that its facilities and services meet standards other than those set forth in this Tariff.

E2.1.2 Limitations

- A. The IC may not assign or transfer the use of services provided under this Tariff; however, where there is no interruption of use or relocation of the services, such assignment or transfer may be made to:
  - 1. Another IC, whether an individual, partnership, association or corporation, provided the assignee or transferee assumes all outstanding indebtedness for such services, and the unexpired portion of the minimum period and the termination liability applicable to such services, if any; or

Tariff Page revised 6/5/2006 to reflect company name change from Sprint to Embarq.

ACCESS SERVICE TARIFF

Embarq Florida, Inc.  
By: F. B. Poag, Director

First Revised Page 2  
Cancels Original Page 2

Effective: January 1, 1997

E2. GENERAL REGULATIONS

E2.1 Undertaking of the Company (Cont'd)

E2.1.2. Limitations (Cont'd)

2. A court appointed receiver, trustee or other person acting pursuant to law in bankruptcy, receivership, reorganization, insolvency, liquidation or other similar proceedings, provided the assignee or transferee assumes the unexpired portion of the minimum period and the termination liability applicable to such services, if any.

In all cases of assignment or transfer, the written acknowledgment of the Company is required prior to such assignment or transfer which acknowledgment shall be made within 15 days from the receipt of notification. All regulations and conditions contained in this Tariff shall apply to such assignee or transferee.

The assignment or transfer of services does not relieve or discharge the assignor or transferor from remaining jointly or severally liable with the assignee or transferee for any obligations existing at the time of the assignment or transfer.

- B. The installation, use and restoration of services shall be in accordance with Part 64, Subpart D, Appendix A, of the Federal Communications Commission's Rules and shall be subject to the regulations set forth in E13.3.7.A, Telecommunications Service Priority (TSP) System.
- C. Subject to compliance with the rules mentioned in B. preceding, where a shortage of facilities or equipment exists at any time, either for temporary or protracted periods, the services offered herein will be provided to ICs on a first come, first served basis.

Tariff Page revised 6/5/2006 to reflect company name change from Sprint to Embarq.



ACCESS SERVICE TARIFF

Embarq Florida, Inc.  
By: F. B. Poag, Director

Second Revised Page 3  
Cancels First Revised Page 3

Effective: May 3, 1999

E2. GENERAL REGULATIONS

E2.1 Undertaking of the Company (Cont'd)

E2.1.3 Liability

- A. The Company's liability, if any, for its willful misconduct is not limited by this Tariff. With respect to any other claim or suit, by an IC, End User or by any others, for damages associated with the installation, provision, preemption, termination, maintenance, repair or restoration of service, and subject to the provisions of B. through L. following, the Company's liability, if any, shall not exceed an amount equal to the proportionate charge for the service for the period during which the service was affected. This liability for damages shall be in addition to any amounts that may otherwise be due the IC or End User under this Tariff as a Credit Allowance for a Service Interruption.
- B. The Company shall not be liable for any act or omission of any other carrier or IC providing a portion of a service, nor shall the Company for its own act or omission hold liable any other carrier or IC providing a portion of a service.
- C. The Company shall not be liable for any act or omission concerning the implementation of presubscription as set forth in E13.3.3 following, unless the damage is caused by the Company's negligence.
- D. The Company is not liable for damages to the IC terminal location or End User's premises resulting from the furnishing of a service, including the installation and removal of equipment and associated wiring, unless the damage is caused by the Company's negligence.
- E. The Telephone Company will not be liable for any consequential, incidental or indirect damages for any cause of action, whether in contract or tort. Consequential, incidental, and indirect damages include, but are not limited to lost projects, lost revenues, and loss of business opportunity, whether or not the Telephone Company was aware or should have been aware of the possibility of these damages.

Tariff Page revised 6/5/2006 to reflect company name change from Sprint to Embarq.

ACCESS SERVICE TARIFF

Embarq Florida, Inc.  
By: F. B. Poag, Director

Second Revised Page 4  
Cancels First Revised Page 4

Effective: May 3, 1999

E2. GENERAL REGULATIONS

E2.1 Undertaking of the Company (Cont'd)

E2.1.3 Liability (Cont'd)

- F. The Company shall be indemnified, defended and held harmless by the End User against any claim, loss or damage arising from the End User's use of services offered under this Tariff, involving:
1. Claims for libel, slander, invasion of privacy, or infringement of copyright arising from the End User's own communications.
  2. Claims for patent infringement arising from the End User's acts combining or using the service furnished by the Company in connection with facilities or equipment furnished by the IC or End User or;
  3. All other claims arising out of any act or omission of the End User in the course of using services provided pursuant to this Tariff.
- G. The Company shall be indemnified, defended and held harmless by the IC against any claim, loss or damage arising from the IC's use of services offered under this Tariff, involving:
1. Claims for libel, slander, invasion of privacy, or infringement of copyright arising from the IC's own communications;
  2. Claims for patent infringement arising from the IC's acts combining or using the service furnished by the Company in connection with facilities or equipment furnished by the End User or IC or;
  3. All other claims arising out of an act or omission of the IC in the course of using services provided pursuant to this Tariff.

Tariff Page revised 6/5/2006 to reflect company name change from Sprint to Embarq.

ACCESS SERVICE TARIFF

Embarq Florida, Inc.  
By: F. B. Poag, Director

Second Revised Page 5  
Cancels First Revised Page 5

Effective: May 3, 1999

E2. GENERAL REGULATIONS

E2.1 Undertaking of the Company (Cont'd)

E2.1.3 Liability (Cont'd)

- H. The Company does not guarantee or make any warranty with respect to its services when used in an explosive atmosphere. The Company shall be indemnified, defended and held harmless by the IC or End User from any and all claims by any person relating to such IC or End User use of services so provided.
- I. No license under patents (other than the limited license to use) is granted by the Company or shall be implied or arise by estoppel, with respect to any service offered under this Tariff. The Company will defend the IC or End User against claims of patent infringement arising solely from the use by the IC or End User of services offered under this Tariff and will indemnify such IC or End User for any damages awarded based solely on such claims.
- J. The Company's failure to provide or maintain services under this Tariff shall be excused by labor difficulties, governmental orders, civil commotions, criminal actions taken against the Company, acts of God and other circumstances beyond the Company's reasonable control, subject to the Credit Allowance for Service Interruptions as set forth in E2.4.4 following.
- K. The Telephone Company will make reasonable efforts to cure any material failure to provide service caused solely by year 2000 defects in Telephone Company hardware, software or systems. Due to the interdependence among telecommunications providers and the interrelationship with non-Telephone Company processes, equipment and systems, the Telephone Company is not responsible for failures caused by circumstances beyond its control including, but not limited to failures caused by; (1) the Customer; (2) other telecommunications providers; or (3) customer premises equipment. In addition, the Telephone Company does not ensure compatibility between Telephone Company and non-Telephone Company services used by the Customer.

Tariff Page revised 6/5/2006 to reflect company name change from Sprint to Embarq.

ACCESS SERVICE TARIFF

Embarq Florida, Inc.  
By: F. B. Poag, Director

Second Revised Page 6  
Cancels First Revised Page 6

Effective: May 3, 1999

E2. GENERAL REGULATIONS

E2.1 Undertaking of the Company (Cont'd)

E2.1.3 Liability (Cont'd)

- L. Should any federal, state or local jurisdiction determine that sales use, gross receipts or any other taxes (including interest, penalties and surcharges thereon) are due by the Company as a result of the Company's purchase of accounts receivable, the Company will advise the customer and the customer shall be liable for any such tax, interest, penalties and surcharge, and the customer shall immediately reimburse the Company the amount of such tax, interest, penalties and surcharge paid by the Company. If the customer disagrees with the Company's determination that any taxes are due by the Company or disagrees with an assessment of any tax, penalty, surcharge and interest due by the Company as a result of the Company's purchase of accounts receivable, the IC shall, at its option and expense (including immediate payments of any such assessment), have the right to seek a ruling as to the inapplicability of any such tax or to protest any assessment and participate in any legal challenge to such assessment, but shall be liable for any tax, penalty, surcharge and interest ultimately determined to be due.

E2.1.4 Provision of Services

- A. The Company, to the extent that such services are or can be made available with reasonable effort, and after provision has been made for the Company's exchange services, will provide to the IC upon reasonable notice services offered in other applicable sections of this Tariff at rates and charges specified therein.
- B. Unless otherwise specified, service will be provided only to those ICs holding certificates of public convenience and necessity issued by the Florida Public Service Commission.

Tariff Page revised 6/5/2006 to reflect company name change from Sprint to Embarq.

ACCESS SERVICE TARIFF

Embarq Florida, Inc.  
By: F. B. Poag, Director

First Revised Page 7  
Cancels Original Page 7

Effective: January 1, 1997

E2. GENERAL REGULATIONS

E2.1 Undertaking of the Company (Cont'd)

E2.1.5 Installation and Termination of Services

The services provided under this Tariff (a) will include any entrance cable or drop wiring and wire or intrabuilding cable to that point where provision is made for termination of the Company's outside distribution network facilities at a location of minimum penetration inside of the IC terminal location or End User premises and, (b) will be installed by the Company to such point of termination. This point of termination is defined as the Point of Interface at the IC terminal location and the Network Interface at the End User premises.

E2.1.6 Maintenance of Services

The services provided under this Tariff shall be maintained by the Company. The IC or others may not rearrange, move, disconnect, remove or attempt to repair any facilities provided by the Company, other than by connection or disconnection to any interface means used, except with the written consent of the Company.

E2.1.7 Changes and Substitutions

Except as provided for equipment and systems subject to FCC Part 68 Regulations at 47C.F.R. Section 68-110(b), the Company may, where such action is reasonably required in the operation of its business:

- A. Substitute, change or rearrange any facilities used in providing service under this Tariff, including but not limited to:
1. Substitution of different metallic facilities,
  2. Substitution of carrier or derived facilities for metallic facilities, used to provide other than metallic facilities, and
  3. Substitution of metallic facilities for carrier or derived facilities used to provide other than metallic facilities,

Tariff Page revised 6/5/2006 to reflect company name change from Sprint to Embarq.

ACCESS SERVICE TARIFF

Embarq Florida, Inc.  
By: F. B. Poag, Director

Second Revised Page 8  
Cancels First Revised Page 8

Effective: January 7, 2000

E2. GENERAL REGULATIONS

E2.1 Undertaking of the Company (Cont'd)

E2.1.7 Changes and Substitutions (Cont'd)

- B. Change minimum protection criteria,
- C. Change operating or maintenance characteristics of facilities, or,
- D. Change operation or procedures of the Company.

In case of any such substitution, change or rearrangement, the transmission parameters will be within the range as set forth in E6. and E7. following. The Company shall not be responsible if any such substitution, change or rearrangement renders any IC furnished services obsolete or requires modification or alteration thereof or otherwise affects their use or performance. If such substitution, change or rearrangement materially affects the operating characteristics of the facility, the IC will be given adequate notice in writing. Reasonable time will be allowed for any redesign and implementation required by the change in operating characteristics. The Company will work cooperatively with the IC to determine reasonable notification procedures.

E2.1.8 Refusal and Discontinuance of Service

- A. If the IC or End User fails to comply with the provisions set forth in this Tariff, including any payments to be made by it on the dates and times herein specified, the Company may, on thirty (30) days written notice to the person designated by the IC or End User to receive such notices of noncompliance, refuse additional applications for service and/or refuse to complete any pending orders for service by the noncomplying IC or End User at any time thereafter. If the Company does not refuse additional applications for service on the date specified in the thirty (30) days notice and the IC's or End User's noncompliance continues, nothing contained herein shall preclude the Company's right to refuse additional applications for service to the noncomplying IC or End User without further notice.

Tariff Page revised 6/5/2006 to reflect company name change from Sprint to Embarq.

ACCESS SERVICE TARIFF

Embarq Florida, Inc.  
By: F. B. Poag, Director

Second Revised Page 9  
Cancels First Revised Page 9

Effective: January 7, 2000

E2. GENERAL REGULATIONS

E2.1 Undertaking of the Company (Cont'd)

E2.1.8 Refusal and Discontinuance of Service (Cont'd)

- B. If the IC or End User fails to comply with the provisions set forth in this Tariff, including any payments to be made by it on the dates and times herein specified, the Company may, on thirty (30) days written notice, to the person designated by the IC or End User to receive such notices of noncompliance, discontinue the provision of the services to the noncomplying IC or End User at any time thereafter. In the case of such discontinuance, all applicable charges, including termination charges, shall become due. If the Company does not discontinue the provision of the services involved on the date specified in the thirty (30) days notice, and the IC's or End User's noncompliance continues, nothing contained herein shall preclude the Company's right to discontinue the provision of the services to the noncomplying IC or End User without further notice.

- C. Failure of an IC to comply with the provisions of E5.2.B.10 following shall be grounds for refusal and/or discontinuance of service.

If at any time after service has been provided to a certified IC, the IC's certificate of public convenience and necessity is revoked by the Florida Public Service Commission, the Company will, on thirty (30) days notice to the person designated by the IC to receive notices, discontinue the provision of the services to the IC at any time thereafter. In the case of such discontinuance, all applicable charges, including termination charges, shall be come due.

Tariff Page revised 6/5/2006 to reflect company name change from Sprint to Embarq.

ACCESS SERVICE TARIFF

Embarq Florida, Inc.  
By: F. B. Poag, Director

Third Revised Page 10  
Cancels Second Revised Page 10

Effective: January 4, 2002

E2. GENERAL REGULATIONS

E2.1 Undertaking of the Company (Cont'd)

E2.1.9 Limitation of Use of Metallic Facilities

Signals applied to the metallic facility shall conform to the limitations set forth in Technical Reference Publication PUB AS No.1.

Tariff Page revised 6/5/2006 to reflect company name change from Sprint to Embarq.



ACCESS SERVICE TARIFF

Embarq Florida, Inc.  
By: F. B. Poag, Director

First Revised Page 11  
Cancels Original Page 11

Effective: January 1, 1997

E2. GENERAL REGULATIONS

E2.1 Undertaking of the Company (Cont'd)

E2.1.10 Notification of Service-Affecting Activities

The Company will provide the IC reasonable notification of service-affecting activities that may occur in normal operation of its business. Such activities may include, but are not limited to, equipment or facilities additions, removals or rearrangements, routine preventative maintenance and major switching machine change-out. Generally, such activities are not individual IC service specific and they affect many IC services. No specific advance notification period is applicable to all service activities. The Company will work cooperatively with the IC to determine notification requirements.

E2.1.11 Coordination with Respect to Network Contingencies

The Company intends to work cooperatively with the IC to develop network contingency plans in order to maintain maximum network capability following natural or man-made disasters which affect telecommunications services.

E2.1.12 Provision and Ownership of Numbers

The Company reserves the reasonable right to assign, designate or change numbers, any other call number designations associated with Access Service, or the Company serving central office prefixes associated with such numbers, when necessary in the conduct of its business. Should it become necessary to make a change in such number(s), the Company will furnish to the IC or End User 6 months notice, in writing of the effective date and an explanation of the reason(s) for such change(s).

Tariff Page revised 6/5/2006 to reflect company name change from Sprint to Embarq.

ACCESS SERVICE TARIFF

Embarq Florida, Inc.  
By: F. B. Poag, Director

First Revised Page 12  
Cancels Original Page 12

Effective: January 1, 1997

E2. GENERAL REGULATIONS

E2.2 Use

E2.2.1 Interference or Impairment

- A. The characteristics and methods of operation of any circuits, facilities or equipment provided by other than the Company and associated with the facilities utilized to provide services under this Tariff shall not interfere with or impair service over any facilities of the Company, its affiliated companies, or its connecting and concurring carriers involved in its services, cause damage to their plant, impair the privacy of any communications carried over their facilities or create hazards to the employees of any of them or the public.
- B. Except as provided for equipment or systems subject to the FCC Part 68 Rules in 47C.F.R Section 68.108, if such characteristics or methods of operation are not in accordance with A. preceding, the Company will, where practicable, notify the IC or End User that temporary discontinuance of the use of a service may be required; however, where prior notice is not practicable, nothing contained herein shall be deemed to preclude the Company's right to temporarily discontinue forthwith the use of a service if such action is reasonable under the circumstances. In case of such temporary discontinuance, the IC or End User will be promptly notified and afforded the opportunity to correct the condition which gave rise to the temporary discontinuance. During such period of temporary discontinuance, credit allowance for service interruptions as set forth in E2.4.4 following is not applicable.

E2.2.2 Unlawful Use

The service provided under this Tariff shall not be used for an unlawful purpose.

Tariff Page revised 6/5/2006 to reflect company name change from Sprint to Embarq.

ACCESS SERVICE TARIFF

Embarq Florida, Inc.  
By: F. B. Poag, Director

First Revised Page 13  
Cancels Original Page 13

Effective: January 1, 1997

E2. GENERAL REGULATIONS

E2.3 Obligations of the IC

E2.3.1 Damages

The IC shall reimburse the Company for damages to Company facilities utilized to provide services under this Tariff caused by the negligence or willful act of the IC or an End User or resulting from the IC's or End User's improper use of the Company facilities, or due to malfunction of any facilities or equipment provided by other than the Company. Nothing in the foregoing provision shall be interpreted to hold one IC or End User liable for another IC's or End User's action. The Company will, upon reimbursement for damages, cooperate with the IC in prosecuting a claim against the person causing such damage and the IC shall be subrogated to the right of recovery by the Company for the damages to the extent of such payment.

E2.3.2 Ownership of Facilities and Theft

Facilities utilized by the Company to provide service under the provisions of this Tariff shall remain the property of the Company. Such facilities shall be returned to the Company by the IC or End User, whenever requested, within a reasonable period following the request in as good condition as reasonable wear will permit.

E2.3.3 Equipment Space and Power

The IC shall furnish or arrange to have furnished to the Company, at no charge, equipment space and electrical power required by the Company to provide services under this Tariff at the points of termination of such services. The selection of AC or DC power shall be mutually agreed to by the IC and the Company. The IC shall also make necessary arrangements in order that the Company will have access to such spaces at reasonable times for installing, testing, repairing or removing Company services.

Tariff Page revised 6/5/2006 to reflect company name change from Sprint to Embarq.

ACCESS SERVICE TARIFF

Embarq Florida, Inc.  
By: F. B. Poag, Director

Second Revised Page 14  
Cancels First Revised Page 14

Effective: January 7, 2000

E2. GENERAL REGULATIONS

E2.3 Obligations of the IC (Cont'd)

E2.3.4 Availability for Testing

The services provided under this Tariff shall be available to the Company at times mutually agreed upon in order to permit the Company to make tests and adjustments appropriate for maintaining the services in satisfactory operating condition. Such tests and adjustments shall be completed within a reasonable time. No credit will be allowed for any interruptions involved during such tests and adjustments.

E2.3.5 Balance

All signals for transmission over the services provided under this Tariff shall be delivered by the IC balanced to ground except for ground start, duplex (DX) and McCulloh-Loop (Alarm System) type signaling.

E2.3.6 Design of IC Services

Subject to the provisions of E2.1.7 preceding, the IC shall be solely responsible, at its own expense, for the overall design of its services and for any redesigning or rearrangement of its services which may be required because of changes in facilities, operations or procedures of the Company, minimum protection criteria or operating or maintenance characteristics of the facilities.

E2.3.7 References to the Company

The IC may advise the End User that certain services are provided by the Company in connection with the service the IC furnishes to its end users; however, the IC shall not represent that the Company jointly participates in the IC's services.

Tariff Page revised 6/5/2006 to reflect company name change from Sprint to Embarq.

ACCESS SERVICE TARIFF

Embarq Florida, Inc.  
By: F. B. Poag, Director

First Revised Page 15  
Cancels Original Page 15

Effective: January 1, 1997

E2. GENERAL REGULATIONS

E2.3 Obligations of the IC (Cont'd)

E2.3.8 Claims and Demands for Damages

- A. With respect to claims of patent infringement made by third persons, the IC shall defend, indemnify, protect and save harmless the Company from and against all claims arising out of the combining with, or use in connection with, the services provided under this Tariff, any circuit, apparatus, system or method provided by the IC or End Users.
- B. The IC shall defend, indemnify and save harmless the Company from and against any suits, claims, losses or demands, including punitive damages, attorney fees and court costs by third persons arising out of the construction, installation, operation, maintenance, or removal of the IC's circuits, facilities, or equipment connected to the Company's services provided under this Tariff including, without limitation, Workmen's Compensation claims, actions for infringement of copyright and/or unauthorized use of program material, libel and slander actions based on the content of communications transmitted over the IC's circuits, facilities or equipment, and proceedings to recover taxes, fines, or penalties for failure of the IC to obtain or maintain in effect any necessary certificates, permits, licenses, or other authority to acquire or operate the services provided under this Tariff; provided, however, the foregoing indemnification shall not apply to suits, claims, and demands to recover damages for damage to property, death, or personal injury unless such suits, claims or demands are based on the tortuous conduct of the IC, its officers, agents or employees.

Tariff Page revised 6/5/2006 to reflect company name change from Sprint to Embarq.

Embarq Florida, Inc.  
d/b/a CenturyLink  
By: Gary L. Kepley, Director

Fourth Revised Page 16  
Cancels Third Revised Page 16

(T)

Effective: July 2, 2013

E2. GENERAL REGULATIONS

E2.3 Obligations of the IC (Cont'd)

E2.3.9 Network Blockage

It shall be the responsibility of the IC to provide adequate trunking capacity, to avoid any adverse affects to the telecommunications network.

E2.3.10 Coordination with Respect to Network Contingencies

The IC shall, in cooperation with the Company, coordinate in planning the actions to be taken to maintain maximum network capability following natural or man-made disasters which affect telecommunications services.

E2.3.11 Jurisdictional Report Requirements

A. Percent Interstate Usage (PIU)

1. Pursuant to Federal Communications Commission order F.C.C. 85-145 adopted April 16, 1985, intrastate usage is to be developed as though every call that enters a customer network from a calling location within the same state as that in which the called station (as designated by the called station number) is situated is an intrastate communication and every call for which the point of entry is in a state other than that where the called station (as designated by the called station number) is situated is an interstate communication. The manner in which a call is routed through the telecommunications network does not affect the jurisdiction of a call, i.e.; a call between two points within the same state is an intrastate communication even if the call is routed through another state.

2. When the Telephone company has measurement capability to provide the data to determine the jurisdiction of the usage, the Telephone Company will determine the jurisdiction of the usage. In those instances where the Telephone Company cannot determine the jurisdiction, the projected interstate percentages will be used by the Company to apportion the usage between interstate and intrastate until a revised report is received as set forth in B.7 following.

(N)  
(N)  
(N)  
(N)

B. Jurisdictional Reports

(D)

(D)

ACCESS SERVICE TARIFF

Embarq Florida, Inc.  
**d/b/a CenturyLink**  
By: Gary L. Kepley, Director

Fourth Revised Page 16.1  
Cancels Third Revised Page 16.1

(T)

Effective: July 2, 2013

E2. GENERAL REGULATIONS

E2.3 Obligations of the IC (Cont'd)

E2.3.11 Jurisdictional Report Requirements (Cont'd)

B. Jurisdictional Reports (Cont'd)

(D)

(D)

When the Telephone Company receives sufficient call detail to permit it to determine the jurisdiction of originating and terminating access minutes of use, the Telephone Company will bill the minutes of use according to that jurisdiction and will not use the customer provided PIU factors provided as set forth in (1) through (13) following.

(N)

(N)

ACCESS SERVICE TARIFF

Embarq Florida, Inc.  
By: F. B. Poag, Director

Third Revised Page 17  
Cancels Second Revised Page 17

Effective: April 15, 2002

E2. GENERAL REGULATIONS

E2.3 Obligations of the IC (Cont'd)

E2.3.11 Jurisdictional Report Requirements (Cont'd)

B. Jurisdictional Reports (Cont'd)

For all other minutes of use for which the Company is unable to develop the PIU from actual usage data, the Company will apply the customer's projected PIU factor, provided as set forth in (1) through (13) following, to apportion the usage between interstate and intrastate.

Tariff Page revised 6/5/2006 to reflect company name change from Sprint to Embarq.



## ACCESS SERVICE TARIFF

Embarq Florida, Inc.  
By: F. B. Poag, Director

First Revised Page 17.1  
Cancels Original Page 17.1

Effective: December 31, 2000

### E2. GENERAL REGULATIONS

#### E2.3 Obligations of the IC (Cont'd)

##### E2.3.11 Jurisdictional Report Requirements (Cont'd)

###### B. Jurisdictional Reports (Cont'd)

1. When a customer orders Feature Group A, Feature Group B, 500 Access Service and/or Toll Free Code (TFC) Access Service, the customer shall state in its order the projected Interstate percentage for interstate usage for each Feature Group A, Feature Group B, 500 Access Service and/or TFC Access Service ordered. If the customer discontinues some but not all of the Feature Group A, Feature Group B, 500 Access Service and/or TFC Access Services in a group, it shall provide an updated projected interstate percentage for the remaining services in the group. Additionally, upon employing the 700 access code over Feature Group D, the customer must provide a projected interstate percentage for the 700 calls. If the customer fails to provide a 700 projected interstate percentage, a default percentage of 100% interstate will be assumed.
2. For single connection arrangements, the interstate Feature Group A, Feature Group B, and/or TFC Access Service information reported as set forth in (1) preceding will be used to determine the charges. The number of access minutes (either the measured minutes or the assumed minutes) for a connection will be multiplied by the projected interstate percentage to develop the interstate access minutes. The number of access minutes for the connection minus the developed interstate access minutes for the connection will be the developed intrastate access minutes.
3. For multiline hunt group or trunk group arrangements, the interstate Feature Group A, Feature Group B, and/or TFC Access Service information reported as set forth in (1) preceding will be used to determine the charges. The number of access minutes (either the measured minutes or the assumed minutes) for a service will be multiplied by the projected interstate percentage to develop the interstate access minutes. The number of access minutes for the service minus the developed interstate access minutes for the service will be the developed intrastate access minutes.

Tariff Page revised 6/5/2006 to reflect company name change from Sprint to Embarq.

## ACCESS SERVICE TARIFF

Embarq Florida, Inc.  
By: F. B. Poag, Director

First Revised Page 17.2  
Cancels Original Page 17.2

Effective: December 31, 2000

### E2. GENERAL REGULATIONS

#### E2.3 Obligations of the IC (Cont'd)

##### E2.3.11 Jurisdictional Report Requirements (Cont'd)

###### B. Jurisdictional Reports (Cont'd)

4. When a customer orders Feature Group C, Feature Group D, TFC or 900 Access Service, the projected interstate percentage will be determined as set forth in (a) through (c) following:
  - a. For originating Feature Group C and originating Feature Group D used in the provision of a MTS/MTS-like service, the Company will determine the projected interstate percentage of use from the call detail
  - b. For terminating Feature Group C used in the provision of MTS/MTS-like service, and terminating Feature Group C used in the provision of 900 service, the projected interstate percentage of use will be determined through the factors as set forth in Section E6.7.7 following.
  - c. For terminating Feature Group D used in the provision of MTS/MTS-like service, terminating Feature Group D used in the provision of 900 service, originating Feature Group C and Feature Group D used in the provision of 900 service, and originating and terminating Feature Group D used in the provision of Toll Free Code (TFC) service, the customer shall provide the projected interstate usage percentage in its access service order. In the event the customer fails to provide a projected interstate percentage, the Company will determine the projected interstate percentage as follows:

For originating access minutes, the projected interstate percentage will be developed on a monthly basis when the Feature Group C or Feature Group D Switched Access Service minutes are measured by dividing the measured interstate originating minutes (the minutes where the calling number is in one state and the called number is in another state) by the total originating minutes when the call detail is adequate to determine the appropriate jurisdiction.

For terminating access minutes, the data used by the Company to develop the projected interstate percentage for originating access minutes will be used to develop projected interstate percentage for such terminating access minutes.

When originating call details are insufficient to determine the jurisdiction for the call, the prior months's projected interstate percentage shall be used by the Company as the projected interstate percentage for originating and terminating access minutes. The projected intrastate percentage of use will be obtained by subtracting the projected interstate percentage for originating and terminating access minutes from 100 (i.e., 100 - interstate percentage = intrastate percentage).

Tariff Page revised 6/5/2006 to reflect company name change from Sprint to Embarq.

## ACCESS SERVICE TARIFF

Embarq Florida, Inc.  
By: F. B. Poag, Director

Second Revised Page 18  
Cancels First Revised Page 18

Effective: December 31, 2000

### E2. GENERAL REGULATIONS

#### E2.3 Obligations of the IC (Cont'd)

##### E2.3.11 Jurisdictional Report Requirements (Cont'd)

###### B. Jurisdictional Reports (Cont'd)

5. When a customer orders Directory Assistance Access Service, the customer shall state in its order the projected interstate percentage for terminating use for each Directory Assistance Access Service group ordered. (A method the customer may wish to adopt could be to use its terminating traffic from its premises to the involved Directory Assistance Location and calculate the projected interstate percentage as set forth in 4. preceding). The Company will designate the number obtained by subtracting the projected interstate percentage furnished by the customer from 100 (100-customer provided interstate percentage = intrastate percentage as the projected intrastate percentage of use.
6. Except where Company measured access minutes are used as set forth in 4 preceding, the customer reported number of interstate services or interstate percentage of use as set forth in 1, 4, or 5 preceding will be used until the customer reports a different projected interstate percentage for an in service end office. When the customer adds or discontinues lines or trunks to an existing end office, the customer shall furnish an updated projected interstate percentage that applies to the end office. The revised report will serve as the basis for future billing and will be effective on the next bill date. No prorating or back billing will be done based on the report.
7. No later than the 15<sup>th</sup> day of January, April, July and October of each year the customer shall provide a revised jurisdictional report showing the interstate and intrastate percentage of use for the past three months ending the last day of December, March, June and September, respectively, for each service arranged for interstate use. The revised report

If the customer does not supply the revised report, the Company will assume the percentages to be the same as those provided in the last quarterly report. For those cases in which quarterly reports has never been received from the customer, the Company will assume the percentages to be the same as those provided in the order for service as set forth in 1, 4 and 5 preceding.

Tariff Page revised 6/5/2006 to reflect company name change from Sprint to Embarq.

ACCESS SERVICE TARIFF

Embarq Florida, Inc.  
By: F. B. Poag, Director

Second Revised Page 19  
Cancels First Revised Page 19

Effective: December 31, 2000

E2. GENERAL REGULATIONS

E2.3 Obligations of the IC (Cont'd)

E2.3.11 Jurisdictional Report Requirements (Cont'd)

B. Jurisdictional Reports (Cont'd)

Tariff Page revised 6/5/2006 to reflect company name change from Sprint to Embarq.

## ACCESS SERVICE TARIFF

Embarq Florida, Inc.  
By: F. B. Poag, Director

Second Revised Page 20  
Cancels First Revised Page 20

Effective: December 31, 2000

### E2. GENERAL REGULATIONS

#### E2.3 Obligations of the IC (Cont'd)

##### E2.3.11 Jurisdictional Report Requirements (Cont'd)

##### B. Jurisdictional Reports (Cont'd)

##### 8. Entrance Facility and Direct-Trunked Transport

Entrance Facility and Direct-Trunked Transport will be made available in conformance with the restructure of Local Transport. In order to provide these new services, customers of Switched Access services must provide new PIU factors that reflect all Switched Access services using these restructured facilities.

When an Entrance Facility is provided for both interstate and intrastate Switched Access, the customer must provide a Switched Access Entrance Facility PIU factor on a serving wire center or study area level. The Entrance Facility PIU must account for all Switched Access originating and terminating usage carried over the Entrance Facility.

When Direct-Trunked Transport is provided for both interstate and intrastate Switched Access, the customer must provide a Switched Access Direct-Trunked Transport PIU factor on a study area level. The Direct-Trunked Transport PIU must account for all Switched Access originating and terminating usage carried over the Direct-Trunked Transport facilities.

If the customer does not provide a Switched Access PIU factor for an Entrance Facility or Direct-Trunked Transport as set forth above, the Company will develop a PIU for the Entrance Facility and Direct-Trunked Transport using the most current representative period.

The Entrance Facility and Direct-Trunked Transport PIU Report must be provided to the Company upon ordering service, and thereafter, on a quarterly basis. Provisions for updating the interstate and intrastate jurisdictional report as specified in Section E2.3.11 B 7 preceding will also apply for the Entrance Facility and Direct-Trunked Transport PIU Report.

Verification provisions to maintenance of records as specified in E2.3.11.C of this tariff will apply to the Entrance Facility and Direct Trunked Transport PIU report.

Tariff Page revised 6/5/2006 to reflect company name change from Sprint to Embarq.

## ACCESS SERVICE TARIFF

Embarq Florida, Inc.  
By: F. B. Poag, Director

Third Revised Page 21  
Cancels Second Revised Page 21

Effective: January 2, 2002

### E2. GENERAL REGULATIONS

#### E2.3 Obligations of the IC (Cont'd)

##### E2.3.11 Jurisdictional Report Requirements (Cont'd)

###### B. Jurisdictional Reports (Cont'd)

9. The jurisdictional report will serve as the basis for all future billing except as provided in D. following and will be effective on the next bill date.
10. Dedicated Access Service must be reported as 100% interstate use or 100% intrastate use and the jurisdiction will be determined as follows:
  - If the customer's estimate of the interstate traffic on the service involved constitutes 10 percent or less of the total traffic on that service, the service will be provided in accordance with the applicable rules and regulations of this Tariff.
  - If the customer's estimate of the interstate traffic on the service involved constitutes more than 10 percent of the total traffic on that service, the service will be provided in accordance with the appropriate interstate tariff.

Any change in a Dedicated Access Service that would result in a change of jurisdiction must be reported immediately.

11. Reserved for Future Use

Tariff Page revised 6/5/2006 to reflect company name change from Sprint to Embarq.

## ACCESS SERVICE TARIFF

Embarq Florida, Inc.  
By: F. B. Poag, Director

Second Revised Page 22  
Cancels First Revised Page 22

Effective: December 31, 2000

### E2. GENERAL REGULATIONS

#### E2.3 Obligations of the IC (Cont'd)

##### E2.3.11 Jurisdictional Report Requirements (Cont'd)

###### B. Jurisdictional Reports (Cont'd)

12. When a customer orders Common Channel Signaling/Signaling System 7 (CCS/SS7) Interconnection Service, the customer shall provide to the Company in its order for the service, a CCS/SS7 Interconnection Service PIU Report.

Customers who provide the CCS/SS7 Interconnection Service PIU Report shall supply the Company with an interstate percentage of 0 through 100 per Signaling Transfer Point (STP) Port Termination. This STP Port Termination PIU will be an average PIU based upon the jurisdiction (interstate versus intrastate) of those originating end user calls that require use of the specified STP Port Termination for signaling purposes.

The PIU provided by the customer for the STP Port Termination will be used by the Company to determine the jurisdiction (interstate versus intrastate) of the customer's STP Access Mileage charges.

The CCS/SS7 Interconnection Service PIU must be provided to the Company upon ordering service, and thereafter, on a quarterly basis. Provisions for updating the interstate and intrastate jurisdictional report as specified in E2.3.11 B7 preceding will also apply for updating the CCS/SS7 Interconnection Service PIU Report. The Company will utilize the quarterly CCS/SS7 Interconnection Service PIU Report for the STP Port Termination to update the STP Access Mileage PIU effective on the bill date for the service.

All provisions pertaining to maintenance of records as specified in E2.3.11. C of this tariff will apply to the CCS/SS7 Interconnection Service.

Tariff Page revised 6/5/2006 to reflect company name change from Sprint to Embarq.

## ACCESS SERVICE TARIFF

Embarq Florida, Inc.  
By: F. B. Poag, Director

Second Revised Page 23  
Cancels First Revised Page 23

Effective: December 31, 2000

### E2. GENERAL REGULATIONS

#### E2.3 Obligations of the IC (Cont'd)

##### E2.3.11 Jurisdictional Report Requirements (Cont'd)

##### B. Jurisdictional Reports (Cont'd)

12. When a customer orders Line Information Data Base (LIDB) Access Service, the customer shall in its order provide to the Company a LIDB Access Service PIU Report. Customers who provide the LIDB Access Service PIU Report shall supply the Company with an interstate percentage per originating point code (OPC) ordered. The LIDB Access Service PIU will be an average PIU based upon the jurisdiction (interstate versus intrastate) of those originating end user calls for which the Company LIDB is being queried.

The LIDB Access Service PIU Report must be provided to the Company upon ordering service, and thereafter, on a quarterly basis. Provisions for updating the interstate and intrastate jurisdictional report are as specified in E2.3.11.B.7, and will also apply for the LIDB Access Service PIU Report.

All provisions pertaining to maintenance of records as specified in E2.3.11.C of this tariff will apply for LIDB Access Service PIU Report.

##### C. Maintenance of Customer Records

The customer shall maintain and retain for a minimum of six months, complete, detailed and accurate records, workpapers and backup documentation in form and substance to evidence the percentage data provided to the Company as set forth in A. preceding. All of the records, workpapers and backup documentation shall be made available during normal business hours, at the location named in the report, upon reasonable request by the Company in order to permit a review by the Company Auditor or outside auditor under contract to the Company or a mutually agreed upon outside auditor to be paid for by the customer, or an outside auditor under contract to the Joint LEC.

Tariff Page revised 6/5/2006 to reflect company name change from Sprint to Embarq.



## ACCESS SERVICE TARIFF

Embarq Florida, Inc.  
d/b/a CenturyLink  
BY: Gary L. Kepley, Director

Third Revised Page 24  
Cancels Second Revised Page 24

Effective: July 1, 2016

### E2. GENERAL REGULATIONS

#### E2.3 Obligations of the IC (Cont'd)

##### E2.3.11 Jurisdictional Report Requirements (Cont'd)

##### C. Maintenance of Customer Records (Cont'd)

Audit Committee, or an auditor of a state regulatory commission. Such records shall consist of one of the following:

1. All of the records, work papers and backup documentation (including call detail records of raw and billable traffic, a listing of all originating and terminating trunk groups, billing information from other companies and customer billing information); or (D)
2. If the customer has a mechanized system in place that calculates its PIU, then a description of that system and the methodology used to calculate the PIU must be furnished and any other pertinent information (such as but not limited to flowcharts, source codes, etc.) relating to such system, or
3. Mutually agreed upon records which contain data sufficient to evidence the reported PIU, such as summary data compiled from the records in 1. preceding. If the customer and the Company cannot agree on mutually agreed upon records, the customer and the Company will jointly and informally solicit the assistance of the appropriate regulatory body or its staff to resolve any disagreement.

##### D. Audit and Reconciliation of Customer Records

1. When the customer reports a projected PIU as set forth in E2.3.11.B preceding or when a billing dispute arises or when a regulatory commission questions the reported PIU, the Company may, upon written request, require the customer to provide call detail records which will be audited to substantiate the reported PIU provided to the Company. This written request shall be considered as the initiation of the audit.

## ACCESS SERVICE TARIFF

Embarq Florida, Inc.  
By: F. B. Poag, Director

Second Revised Page 25  
Cancels First Revised Page 25

Effective: December 31, 2000

### E2. GENERAL REGULATIONS

#### E2.3 Obligations of the IC (Cont'd)

##### E2.3.11 Jurisdictional Report Requirements (Cont'd)

###### D. Audit Reconciliation of Customer Records (Cont'd)

2. In the event of an audit, the customer shall provide the data specified in E2.3.11.C preceding to the agreed upon auditor within thirty days. The data will be provided at an agreed upon location during normal business hours.
3. If the customer fails to provide the requested data within thirty days of the written request, or audit notice, the customer will be in violation of this tariff and subject to those actions specified in E2.1.8 preceding. Should the Company elect to take such measures, appropriate documentation will be provided to the Florida Public Service Commission prior to the refusal of any orders for additional service and/or disconnection of service.
4. Audits may be conducted by (a) an independent auditor under contract to the Company; (b) a mutually agreed upon independent auditor paid for by the customer; (c) an independent auditor selected and paid for by the customer; or (d) an independent auditor under contract to the Joint LEC Audit Committee. If the customer selects option (c), the selected auditor must certify that the audit was performed following FCC procedures for measuring interstate and intrastate traffic as established by Commission orders, and provide to the Company a report with supporting documentation to verify such procedures. If the customer selects option (b), (c) or (d), the auditor shall produce an attestation audit report upon completion of the audit.
5. When an auditor cannot be agreed upon within thirty days after receipt of the initial audit notice, the independent auditor under contract to the Joint LEC Audit Committee shall perform the audit.

Tariff Page revised 6/5/2006 to reflect company name change from Sprint to Embarq.

## ACCESS SERVICE TARIFF

Embarq Florida, Inc.  
By: F. B. Poag, Director

Second Revised Page 26  
Cancels First Revised Page 26

Effective: December 31, 2000

### E2. GENERAL REGULATIONS

#### E2.3 Obligations of the IC (Cont'd)

##### E2.3.11 Jurisdictional Report Requirements (Cont'd)

##### D. Audit and Reconciliation of Customer Records (Cont'd)

6. Changes to the reported PIU will not be accepted by the Company for the audit test period.
7. The Company will audit data from one quarter unless a longer period is requested by the customer and agreed to by the Company.
8. Audit results will be furnished to the customer via Certified U.S. Mail (return receipt requested).
9. The Company will adjust the customer's PIU based upon the audited results. The PIU resulting from the audit shall be applied to the usage for the quarter the audit was completed, the usage for the quarter prior to the completion of the audit, and to the usage for the two quarters following the completion of the audit. After this adjustment period, the customer may report a revised PIU pursuant to E2.3.11.B preceding. If the revised PIU submitted by the customer represents a deviation of five percentage points or more from the audited PIU, and that deviation is not due to identifiable reasons documented and provided with the revised PIU, the Company retains the right to refuse the revised report and/or initiate audit procedures.
10. Both credit and debit adjustments will be made to the customer's interstate and intrastate access charges for the period specified in E2.3.11.D.9 preceding to accurately reflect the usage for the customer's account consistent with E2.4.1 following.

Tariff Page revised 6/5/2006 to reflect company name change from Sprint to Embarq.

## ACCESS SERVICE TARIFF

Embarq Florida, Inc.  
By: F. B. Poag, Director

Second Revised Page 27  
Cancels First Revised Page 27

Effective: December 31, 2000

### E2. GENERAL REGULATIONS

#### E2.3 Obligations of the IC (Cont'd)

##### E2.3.11 Jurisdictional Report Requirements (Cont'd)

#### D. Audit and Reconciliation of Customer Records (Cont'd)

11. If, as a result of an audit performed by an independent auditor under contract to the Company or an independent auditor under contract to the Joint LEC Audit Committee, the customer is found to have misreported its PIU by greater than or equal to five percentage points, the Company shall require reimbursement from the customer for the cost of the audit. Where applicable, such cost shall be proven by submission of the bill(s) submitted to the Company by the auditor. Such bill(s) shall be due and paid in immediate funds thirty days from receipt and shall carry a late payment penalty as set forth in E2.4.1 following.
12. Contested audits may be referred to the Florida Public Service Commission by the customer or the Company within thirty days of receipt of the audit results.
13. Correspondence between the Company and the customer shall be conducted solely by U.S. Mail, return receipt requested, for the following audit phases and limited to the timeframes specified:

Choice of auditor: 30 days from the date of the initial audit notice.

Choice of test period: 10 business days from the date of the initial audit notice.

Provision of audit results: 30 days from the completion of field work by the designated auditor.

Concurrence of audit results: 30 days from receipt of the audit results.

Tariff Page revised 6/5/2006 to reflect company name change from Sprint to Embarq.

## ACCESS SERVICE TARIFF

Embarq Florida, Inc.  
By: F. B. Poag, Director

Second Revised Page 28  
Cancels First Revised Page 28

Effective: December 31, 2000

### E2. GENERAL REGULATIONS

#### E2.3 Obligations of the IC (Cont'd)

##### E2.3.11 Jurisdictional Report Requirements (Cont'd)

#### D. Audit and Reconciliation of Customer Records (Cont'd)

##### 13. (Cont'd)

In the absence of a proper response within the stated timeframes, concurrence will be assumed on the content of the correspondence from the other party.

14. The Company will work cooperatively with other local exchange companies to develop joint audits of a customer and thus limit the customer's total state PIU audits to one per year. If, however, the audit results represent what the Company considers to be a substantial deviation from the customer's reported PIU for the period upon which the audit was based or if subsequent customer-initiated changes to the reported PIU appear to be extreme or excessive, the Company will request an audit of the call detail records more than once annually.

15. All audits of customer-provided PIUs shall be conducted pursuant to the rules and regulations stated in this tariff. If a customer fails to comply with the provisions contained in this tariff, the Company may refuse additional applications for service and/or may refuse to complete any pending orders for service. After the Company has refused additional applications and/or completion of pending orders for service for a period of 30 days, and the customer has continued to remain noncompliant with the provisions of this tariff, the Company may disconnect the customer for noncompliance as set forth in E2.1.8 preceding without further notice.

Tariff Page revised 6/5/2006 to reflect company name change from Sprint to Embarq.

ACCESS SERVICE TARIFF

Embarq Florida, Inc.  
By: F. B. Poag, Director

Second Revised Page 29  
Cancels First Revised Page 29

Effective: February 18, 1997

E2. GENERAL REGULATIONS

E2.3 Obligations of the IC (Cont'd)

E2.3.12 Determination of Intrastate Charges for Mixed Interstate and Intrastate Access Service, CCS/SS7 Interconnection Service and/or LIDB Service.

- A. When mixed interstate and intrastate Access Service, CCS/SS7 Interconnection Service is provided, all charges (i.e., nonrecurring, monthly and/or usage) including optional feature charges, will be prorated between interstate and intrastate except for those services set forth in E2.3.12.A.3 following. The percentage as set forth in E2.3.11.A preceding will serve as the basis for prorating the charges. The percentage of Access Service to be charged as intrastate is applied in the following manner:
1. For monthly and nonrecurring chargeable rate elements, multiply the percent intrastate use times the quantity of chargeable elements times the stated tariff rate per element.
  2. For usage sensitive (i.e., access minutes, calls, and queries) chargeable rate elements, multiply the percent intrastate use times the actual use (i.e., measured or Company assumed average use) times the stated tariff rate.
  3. Nonrecurring chargeable rate elements for Toll Free Code Access Service, Interim 500 Access Service, and 900 Access Service will be assessed in full rather than prorated between interstate and intrastate.

E2.3.13 Proof of Certification

- A. When an IC places an order with the Company for services provided in this Tariff, the IC shall be responsible for furnishing to the Company, at the time the service is requested, proof that the IC has obtained or is in the process of obtaining a certificate of public convenience and necessity from the Florida Public Service Commission. Unless this proof as described is presented to the Company, the IC's request for service will not be processed.

Tariff Page revised 6/5/2006 to reflect company name change from Sprint to Embarq.

ACCESS SERVICE TARIFF

Embarq Florida, Inc.  
By: **Gary L. Kepley, Director**

**2nd Revised Page 30**  
Cancels **1st Revised Page 30** (T)

Effective: **December 29, 2011**

E2. GENERAL REGULATIONS

E2.3 Obligations of the IC (Cont'd)

E2.3.13 Proof of Certification (Cont'd)

- B. If at the time service was requested the IC had not obtained a certificate of public convenience and necessity from the Florida Public Service Commission, the IC must furnish to the Company on or before the date services are to be provided proof that a certificate has been issued to the IC by the Florida Public Service Commission. If the IC fails to provide proof of certification to the Company, service will not be provided.
- C. When an End User places an order with the Company for Feature Group B service provided in this Tariff, the End User shall be responsible for furnishing to the Company, at the time the service is requested, proof through a letter of certification to the Company that Feature Group B service as ordered by the End User is to provide intrastate telecommunications service for its own use. Feature Group B service to End Users cannot be resold and is only available where facilities permit and billing capabilities exist.

(M)

(M)

(M) **Material omitted from this page now appears on Original Page 30.6.**

(D)

ACCESS SERVICE TARIFF

Embarq Florida, Inc. d/b/a CenturyLink  
By: Gary L. Kepley, Director

1st Revised Page 30.1  
Cancels Original Page 30.1  
Effective: July 13, 2012

E2. GENERAL REGULATIONS

E2.3 Obligations of the IC (Cont'd)

E2.3.14 Identification and Rating of VoIP-PSTN Traffic

(A) Scope

VoIP-PSTN Traffic is defined as traffic exchanged between a Telephone Company end user and the customer in Time Division Multiplexing ("TDM") format that originates and/or terminates in Internet Protocol ("IP") format. This section governs the identification **and compensation** of VoIP-PSTN Traffic that is required to be compensated **at access** rates, unless the parties have agreed otherwise, by the Federal Communications Commission in its Report and Order in WC Docket Nos. 10-90, etc., FCC Release No. 11-161 (November 18, 2011)("FCC Order"). Specifically this section establishes the method of separating VoIP-PSTN Traffic from the customer's traditional intrastate access traffic, so that VoIP-PSTN Traffic can be billed in accordance with the FCC Order.

(C)  
(C)

***The FCC released their Second Order of Reconsideration in WC Docket No. 10-90, etc., FCC Release No. 12-47 (April 25, 2012) which temporarily modified the compensation of originating VoIP-PSTN Traffic on a prospective basis. Upon receipt, validation and acceptance of the Percent VoIP Usage factor, originating VoIP-PSTN Traffic will be compensated as follows:***

(N) (M)

- ***Between the Initial Implementation date described in 2.3.14(D)(1) and July 12, 2012, the applicable rate elements used in providing originating access for VoIP-PSTN Traffic and associated facilities will be billed according to interstate access rates.***
- ***Effective July 13, 2012 the applicable rate elements used in providing originating access for intrastate VoIP-PSTN Traffic and associated facilities will be billed according to intrastate access rates. The applicable rate elements used in providing originating access for interstate VoIP-PSTN Traffic and associated facilities will be billed according to interstate access rates.***
- ***Effective July 1, 2014 the applicable rate elements used in providing originating access for intrastate VoIP-PSTN Traffic and associated facilities will be billed according to intrastate access rates. After the Initial Implementation date described in 2.3.14(G)(2), terminating VoIP-PSTN Traffic and associated facilities will be billed according to interstate access rates.***
- ***After the Initial Implementation date described in 2.3.14(D)(1), terminating VoIP-PSTN Traffic and associated facilities will be billed according to interstate access rates.***

(M)

(N)

(M) Material moved to Original Page 30.1.1 of this section.



ACCESS SERVICE TARIFF

Embarq Florida, Inc. d/b/a CenturyLink  
By: Gary L. Kepley, Director

Original Page 30.1.1

Effective: July 13, 2012

E2. GENERAL REGULATIONS

E2.3 Obligations of the IC (Cont'd)

E2.3.14 Identification and Rating of VoIP-PSTN Traffic (Cont'd)

- (B) VoIP-PSTN Traffic **and associated facilities** identified in accordance with this tariff section will be billed at rates equal to the Telephone Company's applicable tariffed interstate switched access rate as specified in CenturyLink Operating Companies Tariff F.C.C. No. 9, Section 6 **when applicable based on the schedule shown above.** (M) (C)
- (C) Calculation and Application of Percent VoIP Usage Factors (T)
  - (1) Telephone Company will determine the number of VoIP-PSTN Traffic minutes of use ("MOU") to which interstate rates will be applied under (B) preceding, by applying an originating Percent VoIP Usage ("PVU") factor to the total intrastate access MOU originated by a Telephone Company end user and delivered to the customer and by applying a terminating PVU factor to the total intrastate access MOU terminated by a customer to the Telephone Company's end user. (T) (M)
  - (2) **The Telephone Company will use state average data and the customer provided Facility PVU to determine the monthly recurring credit for terminating VoIP-PSTN Traffic.** (N) (N)
  - (3) The customer will calculate and furnish to the Telephone Company an originating PVU factor representing the whole number percentage of the customer's total originating intrastate access MOU that the customer exchanges with the Telephone Company in the state that is received from the Telephone Company and that is terminated in IP format and that would be billed by the Telephone Company as intrastate access MOU. (M1) (T)
  - (4) The customer will calculate and furnish to the Telephone Company a terminating PVU factor representing the whole number percentage of the customer's total terminating intrastate access MOU that the customer exchanges with the Telephone Company in the state that is sent to the Telephone Company and which originated in IP format and that would be billed by the Telephone Company as intrastate access MOU. (T) (M1)

(M) Material moved from Original Page 30.1 of this section.

(M1) Material moved from Original Page 30.2 of this section.

ACCESS SERVICE TARIFF

Embarq Florida, Inc. d/b/a CenturyLink  
By: Gary L. Kepley, Director

1st Revised Page 30.2  
Cancels Original Page 30.2  
Effective: July 13, 2012

E2. GENERAL REGULATIONS

E2.3 Obligations of the IC (Cont'd)

E2.3.14 Identification and Rating of VoIP-PSTN Traffic

- (C) Calculation and Application of **Percent VoIP Usage** Factors (Cont'd) (T)  
(M)
- (5) **The customer will calculate and furnish to the Telephone Company a Facility PVU factor representing the whole number percentage of the customer's total monthly recurring switched transport charges that are associated with the intrastate access MOU included in the PVU factor.** (N)  
(N)
- (6) The customer shall not modify their reported PIU factor to account for VoIP-PSTN traffic. (T)
- (7) **The customer provided originating PVU, the terminating PVU and the Facility PVU shall be based on information such as the number of the customer's retail VoIP subscriptions in the state (e.g. as reported on FCC Form 477), traffic studies, actual call detail or other relevant and verifiable information which will be provided to Telephone Company upon request.** (T)  
(C)
- (8) The customer shall retain the call detail, work papers and information used to develop the PVU factors for a minimum of one year. (T)
- (9) If the customer does not furnish the Telephone Company with a PVU factor, the Telephone Company will utilize a PVU equal to zero. (T)

(M) Material moved to Original Page 30.1.1 of this section.

ACCESS SERVICE TARIFF

Embarq Florida, Inc.  
By: Gary L. Kepley, Director

Original Page 30.3

Effective: December 29, 2011

E2. GENERAL REGULATIONS

(N)

E2.3 Obligations of the IC (Cont'd)

E2.3.14 Identification and Rating of VoIP-PSTN Traffic (Cont'd)

(D) Initial Implementation of PVU Factors

(1) *If the PVU factors cannot be implemented in the Telephone Company's billing systems by December 29, 2011, once the factors can be implemented, the Telephone Company will adjust the customer's bills to reflect the PVU factors prospectively in the next bill period, if the PVU factors are provided by the customer to the Telephone Company prior to April 15, 2012.*

(2) *The Telephone Company may choose to provide credits based on the reported PVU factors on a quarterly basis until such time as the billing system modifications can be implemented.*

(E) PVU Factor Updates

*The customer may update the PVU factors quarterly using the method set forth in (C)(1) and (2) preceding. If the customer chooses to submit such updates, it shall forward to the Telephone Company, no later than 15 days after the first of January, April, July and/or October of each year, revised PVU factors based on data for the prior three months, ending the last day of December, March, June and September, respectively. The revised PVU factors will serve as the basis for future billing and will be effective on the next bill date, and shall serve as the basis for subsequent monthly billing until superseded by new PVU factors. No prorating or backbilling will be done based on the updated PVU factors.*

(F) PVU Factor Verification

(1) *Not more than twice in any year, the Telephone Company may request from the customer an overview of the process used to determine the PVU factors, the call detail records, description of the method for determining how the end user originates or terminates calls in IP format, and other information used to determine the customer's PVU factors furnished to the Telephone Company in order to validate the PVU factors supplied. The customer shall comply, and shall reasonably supply the requested data and information within 15 days of the Telephone Company's request.*

(N)

ACCESS SERVICE TARIFF

Embarq Florida, Inc. d/b/a CenturyLink  
By: Gary L. Kepley, Director

1st Revised Page 30.4  
Cancels Original Page 30.4  
Effective: July 13, 2012

E2. GENERAL REGULATIONS

E2.3 Obligations of the IC (Cont'd)

E2.3.14 Identification and Rating of VoIP-PSTN Traffic (Cont'd)

(F) PVU Factor Verification (Cont'd)

(2) The Telephone Company may dispute the customer's PVU factor based upon:

(a) A review of the requested data and information provided by the customer, **or customer's refusal to provide the data and information to support the PVU factors.** (C)

(b) The Telephone Company's reasonable review of other market information, FCC reports on VoIP lines, such as FCC Form 477 or state level results based on FCC Local Competition Report or other relevant data.

(c) A change in the reported PVU factor by more than five percentage points from the preceding quarter.

(3) If after review of the data and information, the customer and the Telephone Company establish revised PVU factors, the customer and the Telephone Company will begin using those revised PVU factors with the next bill period. (T)

(4) If the dispute is unresolved, the Telephone Company may initiate an audit. The Telephone Company shall limit audits of the customer's PVU factor to no more than twice per year. The customer may request that the audit be conducted by an independent auditor. In such cases, the associated auditing expenses will be paid by the customer.

(a) In the event that the customer fails to provide adequate records to enable the Telephone Company or an independent auditor to conduct an audit verifying the customer's PVU factors, the Telephone Company will bill the usage **and associated facilities** for all contested periods using the most recent undisputed PVU factors reported by the customer. **If no undisputed PVU factors exist, then PVU factors of zero percent will be used for all contested periods.** These PVU factors will remain in effect until the audit can be completed. (C)

ACCESS SERVICE TARIFF

Embarq Florida, Inc.  
By: Gary L. Kepley, Director

Original Page 30.5

Effective: December 29, 2011

E2. GENERAL REGULATIONS

E2.3 Obligations of the IC (Cont'd)

E2.3.14 Identification and Rating of VoIP-PSTN Traffic (Cont'd)

(F) PVU Factor Verification (Cont'd)

(4) (Cont'd)

- (b) *During the audit, the undisputed PVU factors from the previous reporting period will be used by the Telephone Company.*
- (c) *The Telephone Company will adjust the customer's PVU factors based on the results of the audit and implement the revised PVU in the next billing period or quarterly report date, whichever is first. The revised PVU factors will apply for the next two quarters before new factors can be submitted by the customer.*
- (d) *If the audit supports the customer's PVU factors, the usage for the contested periods will be adjusted to reflect the customer's audited PVU factors.*

(N)

(N)

ACCESS SERVICE TARIFF

Embarq Florida, Inc.  
By: Gary L. Kepley, Director

Original Page 30.6

Effective: December 29, 2011

E2. GENERAL REGULATIONS

(N)

E2.4 Payment Arrangements and Credit Allowances

(M)

E2.4.1 Payment of Rates, Charges and Deposits

- A. *The Company will, in order to safeguard its interests, only require an IC or End User which has a proven history of late payments to the Company or does not have established credit to make a deposit prior to or at any time after the provision of a service to the IC or End User to be held by the Company as a guarantee of the payment of rates and charges. No such deposit will be required of an IC or End User which is a successor of a company which has established credit and has no history of late payments to the Company. Such deposit may not exceed the actual or estimated rates and charges for the service for a two month period. The fact that a deposit has been made in no way relieves the IC or End User from complying with the Company's regulations as to the prompt payment of bills. At such time as the provision of the service to the IC or End User is terminated, the amount of the deposit will be credited to the IC's or End User's account and any credit balance which may remain will be refunded.*

(M)

(M) *Certain material found on this page formerly appeared on 1st Revised Page 30.*

## ACCESS SERVICE TARIFF

Embarq Florida, Inc. d/b/a CenturyLink  
By: Chantel Bosworth, Director

3rd Revised Page 31  
Cancels 2nd Revised Page 31

Effective: July 1, 2021

### E2. GENERAL REGULATIONS

#### E2.4 Payment Arrangements and Credit Allowances (Cont'd)

##### E2.4.1 Payment of Rates, Charges and Deposits (Cont'd)

###### A. (Cont'd)

Such a deposit will be refunded or credited to the IC's or End User's account when the IC or End User has established credit or, in any event, after the IC or End User has established a one-year prompt payment record at any time prior to the termination of the provision of the service to the IC or End User. In case of a cash deposit, for the period the deposit is held by the Company, the IC or End User will receive interest at the percentage rate set forth in B.3.a or in B.3.b following, whichever is lower. The rate will be compounded daily for the number of days from the date the IC's or End User's deposit is received by the Company to and including the date such deposit is credited to the IC's or End User's account or the date the deposit is refunded by the Company. Should a deposit be credited to the IC's or End User's account, as indicated above, no interest will accrue on the deposit from the date such deposit is credited to the IC's or End User's account.

- B. The Company shall bill on a current basis all charges incurred by and credits due to the customer under this Tariff attributable to services established or discontinued during the preceding billing period. In addition, the Company shall bill in advance charges for all services to be provided during the ensuing billing period (e.g., Dedicated Access and Switched Access Entrance Facility, Direct-Trunked Transport and Multiplexing) except for charges associated with service usage (e.g., **Tandem-Switched** Transport, Local Switching and Line Termination, and Carrier Common Line), and for the Federal Government which will be billed in arrears. The bill day (i.e., the billing date of a bill for a customer for Access Service under this Tariff), the period of service each bill covers and the payment date will be as follows:

(T)

## ACCESS SERVICE TARIFF

Embarq Florida, Inc. d/b/a CenturyLink  
By: Gary L. Kepley, Director

Second Revised Page 32  
Cancels First Revised Page 32

Effective: April 1, 2017

### E2. GENERAL REGULATIONS

#### E2.4 Payment Arrangements and Credit Allowances (Cont'd)

##### E2.4.1 Payment of Rates, Charges and Deposits (Cont'd)

###### B. (Cont'd)

1. For services provided under this Tariff that are billed directly to the End User, the Company will establish a bill day each month for each End User account. The bill will cover charges applicable to the End User for the ensuing billing period except for the Federal Government which will be billed in arrears. Any known unbilled charges for prior periods and any known unbilled adjustments for prior periods for the charges applicable to the End User will be applied to this bill. Such bills are due when rendered. If payment in immediately available funds is not received by the payment date, as set forth in 3., following, a late payment penalty will apply.
2. For services provided under this Tariff that are billed directly to the IC the Company will establish a bill day each month for each IC account. The bill will cover nonusage sensitive service charges for the ensuing billing period for which the bill is rendered, any known unbilled nonusage sensitive charges for prior periods and unbilled usage charges for the period after the last bill day through the current bill day. Any known unbilled usage charges for prior periods and any known unbilled adjustments will be applied to this bill. Payment for such bills is due as set forth in 3., following. If payment in immediately available funds is not received by the payment date, as set forth in 3., following, a late payment penalty will apply.
3. All bills dated as set forth in 1. or 2., preceding, for services provided to the customer by the Company are due on the payment due date. The payment due date is the date which is 31 days (payment due date) after the bill day or by the next bill date (i.e., same date in the following month as the bill date) whichever is the shortest interval, except as provided herein, and are payable in immediately available funds.

(M)  
(M)

(M) Material previously found on Page 33.

17-01A



ACCESS SERVICE TARIFF

Embarq Florida, Inc. d/b/a CenturyLink  
By: Gary L. Kepley, Director

Second Revised Page 33  
Cancels First Revised Page 33

Effective: April 1, 2017

E2. GENERAL REGULATIONS

E2.4 Payment Arrangements and Credit Allowances (Cont'd)

E2.4.1 Payment of Rates, Charges and Deposits (Cont'd)

**B. (Cont'd)** (T)

**3. (Cont'd)** (T)

If such payment date would cause payment to be due on a Saturday, Sunday or Holiday (i.e., New Year's Day, Independence Day, Labor Day, Thanksgiving Day, Christmas Day, the second Tuesday in November and a day when Martin Luther King, Jr., Washington's Birthday, Memorial Day, Columbus Day, or Veteran's Day is legally observed), payment for such bills will be due from the IC and/or End User as follows: (M)

If such payment due date falls on a Sunday or on a Holiday which is observed on a Monday, the payment due date shall be the first non-Holiday day following such Sunday or Holiday. If such payment due date falls on a Saturday or on a Holiday which is observed on Tuesday, Wednesday, Thursday, or Friday, the payment due date shall be the last non-Holiday day preceding such Saturday or Holiday. Further, if any portion of the payment is received by the Company after the payment due date as set forth preceding, or if any portion of the payment is received by the Company in funds which are not immediately available to the Company, then a late payment penalty may be due to the Company. The late payment penalty shall be the portion of the payment not received by the payment due date times a late factor. The late factor shall be the **lesser** of: (T)

- a. The highest interest rate (in decimal value) which may be levied by law for commercial transactions, compounded daily for the number of days from the payment due date to and including the date that the IC and/or End User actually makes the payment to the Company, or
- b. **0.000407** per day, compounded daily for the number of days from the payment due date to and including the date that the IC and/or End User actually makes the payment to the Company. (R)

(M) Material previously found on this page moved to Page 32.

ACCESS SERVICE TARIFF

Embarq Florida, Inc.  
By: F. B. Poag, Director

First Revised Page 34  
Cancels Original Page 34

Effective: January 1, 1997

E2. GENERAL REGULATIONS

E2.4 Payment Arrangements and Credit Allowances (Cont'd)

E2.4.1 Payment of Rates, Charges and Deposits (Cont'd)

B. (Cont'd)

4. In the event of a billing dispute, the IC or End User must submit a documented claim for the disputed amount. If the dispute is submitted on or before the payment due date or within 90 days after the payment due date and the disputed amount is paid prior to resolution of the dispute, any interest credits due the IC or End User upon resolution of the dispute shall be calculated from the date of the overpayment to the resolution date. If the dispute is submitted more than 90 days after the payment due date and the disputed amount is paid prior to resolution of the dispute, any interest credits due the IC or End User upon resolution of the dispute shall be calculated from the dispute date or the date the payment is made, whichever occurs later, to the resolution date. The Company will resolve the dispute and assess interest credits or late payment penalties to the IC or End User as follows:

- If the dispute is resolved in favor of the Company and the IC or End User has paid the disputed amount on or before the payment due date, no credits or late payment penalties will apply to the disputed amount.
- If the dispute is resolved in favor of the Company and the IC or End User has withheld the disputed amount, any payments withheld pending settlement of the dispute shall be subject to the late payment penalty.
- If the dispute is resolved in favor of the IC or End User and the IC or end User has withheld the disputed amount, no credits or late payment penalties will apply to the disputed amount.

Tariff Page revised 6/5/2006 to reflect company name change from Sprint to Embarq.

ACCESS SERVICE TARIFF

Embarq Florida, Inc. d/b/a CenturyLink  
By: Gary L. Kepley, Director

Third Revised Page 35  
Cancels Second Revised Page 35

Effective: April 1, 2017

E2. GENERAL REGULATIONS

E2.4 Payment Arrangements and Credit Allowances (Cont'd)

E2.4.1 Payment of Rates, Charges and Deposits (Cont'd)

B. (Cont'd)

4. (Cont'd)

- If the dispute is resolved in favor of the IC or End User and the IC or End User has paid the disputed amount, the IC or End User will receive a credit from the Company for the disputed amounts times a penalty factor as set forth preceding. The penalty factor shall be the **lesser** of:

(T)

- a. The highest interest rate (in decimal value) which may be levied by law for commercial transactions, compounded daily for the number of days from the payment due date to and including the date that the IC and/or End User actually makes the payment to the Company, or

- b. **0.000407** per day, compounded daily for the number of days from the payment due date to and including the date that the IC and/or End User actually makes the payment to the Company.

(R)

- C. When a payment for Access Service Charges billed under this Tariff is due to the Company from the customer on the same payment due date that the net purchase of accounts receivable amount is due to the customer from the Company the Company may, with at least 31 days notice to the customer, net the payment for Access Service Charges with the net purchase of accounts receivable amount. The Company will pay the net amount to the customer on the payment due date when such net amount is due to the customer or require the customer to pay to the Company the net amount when such net amount is due to the Company. If either party does not make the payment on the payment due date, a late payment penalty as set forth in B.3., preceding, applies.

ACCESS SERVICE TARIFF

Embarq Florida, Inc.  
By: F. B. Poag, Director

First Revised Page 36  
Cancels Original Page 36

Effective: January 1, 1997

E2. GENERAL REGULATIONS

E2.4 Payment Arrangements and Credit Allowances (Cont'd)

E2.4.1 Payment of Rates, Charges and Deposits (Cont'd)

- D. Adjustments for the quantities of services established or discontinued in any billing period beyond the minimum period set forth for services in other sections of this Tariff will be prorated to the number of days or major fraction of days based on a 30 day month. The Company will, upon request and if available, furnish such detailed information as may reasonably be required for verification of any bill.
- E. When a rate as set forth in this Tariff is shown to more than two decimal places, the charges will be determined using the rate shown. The resulting amount will then be rounded to the nearest penny (i.e., rounded to two decimal places).
- F. When more than one copy of an IC or End User bill for services provided under the provisions of this Tariff is furnished to the IC or End User, an additional charge applies for each additional copy of the bill as set forth in E13.3.5 following.
- G. At the option of the IC or End User, all nonrecurring charges associated with a Standard or Negotiated Interval Access Order may be billed over a three month period subject to the following:
- 50% of the total nonrecurring charges will be billed in the first monthly billing period after the charges are incurred, and 25% of the total nonrecurring charges plus an Extended Billing Plan Charge will be billed in each of the following two monthly billing periods.
  - the Extended Billing Plan Charge is calculated at a rate of 1.0% per month or 12% annually, on the unbilled balance of the nonrecurring charges.
  - The IC or End User must request extended billing at the time the Access Service request is placed for a Standard or Negotiated Interval Access Order.

Tariff Page revised 6/5/2006 to reflect company name change from Sprint to Embarq.

ACCESS SERVICE TARIFF

Embarq Florida, Inc. d/b/a CenturyLink  
By: Gary L. Kepley, Director

Third Revised Page 37 (T)  
Cancels Second Revised Page 37 (T)

Effective: January 15, 2017

E2. GENERAL REGULATIONS

E2.4 Payment Arrangements and Credit Allowances (Cont'd)

E2.4.1 Payment of Rates, Charges and Deposits (Cont'd)

G. (Cont'd)

- If the IC or End User disconnects service before the expiration of the plan period, all unbilled charges plus the Extended Billing Plan Charge, if applicable, will be included in the final bill rendered.
- If the IC or End User fails to make any of the payments on the payment due date as set forth in B.3., preceding, the late payment charges as specified in B.3.a. or b., preceding, will apply.

E2.4.2 Minimum Periods

- A. The minimum periods for which services are provided and for which rates and charges are applicable are set forth in E5, E6 and E7, following, for Switched and Dedicated Access Services; **in E9**, following, **for Directory Assistance Service**; in E13 and E14 following for Special Construction. (D)
- B. The minimum period for which service is provided and for which rates and charges are applicable for a Specialized Service or Arrangement provided on an individual case basis, as set forth in E12 following is one month unless a different minimum period is established with the individual case filing.
- C. When a service is discontinued prior to the expiration of the minimum period, charges are applicable for the remaining portion of the minimum period, whether the service is used or not, and will be based on the rates in effect for the service at the time of discontinuance.

## ACCESS SERVICE TARIFF

Embarq Florida, Inc.  
By: F. B. Poag, Director

Third Revised Page 38  
Cancels Second Revised Page 38

Effective: January 2, 2002

### E2. GENERAL REGULATIONS

#### E2.4 Payment Arrangements and Credit Allowances (Cont'd)

##### E2.4.3 Cancellation of an Order for Service

Provisions for the cancellation of an order for service are set forth in other applicable sections of this Tariff.

##### E2.4.4 Credit Allowance for Service Interruptions

###### A. General

A service is interrupted when it becomes unusable to the customer because of a failure of a facility component used to furnish service under this Tariff, or in the event that the protective controls applied by the Company result in the complete loss of service by the customer as set forth in E6.5.1 following. An interruption period starts when an inoperative service is reported by the customer and ends when the service is operative.

###### B. When A Credit Allowance Applies

In case of an interruption to any service, allowance for the period of interruption, if not due to the negligence of the customer, shall be as follows:

1. For Switched Access Entrance Facilities, Direct-Trunked Transport, Dedicated Access Services and Switched Access OptiPoint Services, no credit shall be allowed for an interruption of less than 30 minutes. The customer shall be credited for an interruption of 30 minutes or more at the rate of 1/1440 of the monthly charges for the facility or service for each period of 30 minutes or major fraction thereof that the interruption continued from the time that an interruption period starts.

The monthly charges used to determine the credit shall be as follows:

- a. For two-point services, the monthly charge shall be the total of all the monthly rate element charges associated with the service (i.e., local channel, channel interface, channel mileage and optional features).

Tariff Page revised 6/5/2006 to reflect company name change from Sprint to Embarq.

## ACCESS SERVICE TARIFF

Embarq Florida, Inc. d/b/a CenturyLink  
By: Gary L. Kepley, Director

Third Revised Page 39 (T)  
Cancels Second Revised Page 39 (T)

Effective: January 15, 2017

### E2. GENERAL REGULATIONS

#### E2.4 Payment Arrangements and Credit Allowances (Cont'd)

##### E2.4.4 Credit Allowance for Service Interruptions (Cont'd)

##### B. When A Credit Allowance Applies (Cont'd)

##### 1. (Cont'd)

(T)

The monthly charges used to determine the credit shall be as follows: (Cont'd)

- b. For multipoint services, the monthly charge shall be only the total of all the monthly rate element charges associated with that portion of the service that is inoperative (i.e., a connecting channel between the Hub and customer premises and associated channel interface, channel mileage and optional features and functions.)
- c. For multiplexed services, the monthly charge shall be the total of all the monthly rate element charges associated with that portion of the service that is inoperative. When the facility which is multiplexed or the multiplexer itself is inoperative, the monthly charge shall be the total of all the monthly rate element charges associated with the service (i.e., the local channel to the Hub and its associated channel interface, channel mileage and optional features and functions, including the multiplexer, and the local channels from the Hub and their associated channel interfaces, channel mileages and optional features and functions). When the service which rides a channel of the multiplexed facility is inoperative, the monthly charge shall be the total of all the monthly rate element charges associated with that portion of the service from the Hub to IC or End User premises (i.e., local channel, channel interface, channel mileage and optional features and functions).

##### 2. Reserved for Future Use

## ACCESS SERVICE TARIFF

Embarq Florida, Inc.  
By: F. B. Poag, Director

Second Revised Page 40  
Cancels First Revised Page 40

Effective: January 2, 2002

### E2. GENERAL REGULATIONS

#### E2.4 Payment Arrangements and Credit Allowances (Cont'd)

##### E2.4.4 Credit Allowance for Service Interruptions (Cont'd)

##### B. When A Credit Allowance Applies (Cont'd)

3. For usage rated Switched Access Service and Directory Assistance Service, no credit shall be allowed for an interruption of less than 24 hours. The customer shall be credited for an interruption of 24 hours or more at the rate of 1/30 of the applicable monthly rates for each period of 24 hours or major fraction thereof that the interruption continues.
4. The credit allowance(s) for an interruption or for a series of interruptions shall not exceed the monthly rate for the service interrupted in any one monthly billing period.

Tariff Page revised 6/5/2006 to reflect company name change from Sprint to Embarq.



ACCESS SERVICE TARIFF

Embarq Florida, Inc.  
By: F. B. Poag, Director

Second Revised Page 41  
Cancels First Revised Page 41

Effective: January 7, 2000

E2. GENERAL REGULATIONS

E2.4 Payment Arrangements and Credit Allowances (Cont'd)

E2.4.4 Credit Allowance for Service Interruptions (Cont'd)

B. When A Credit Allowance Applies (Cont'd)

5. For certain Dedicated Access services (Digital Data Access, DA1-4; and High Capacity, HC1) any period during which the e
6. Service interruptions for Specialized Service or Arrangements provided under the provisions of E12 following shall be administered in the same manner as those set forth in this section unless other regulations are specified with the individual case filing.

C. When Credit Allowance Does Not Apply

No credit allowance will be made for:

1. Interruptions caused by the negligence of the customer.
2. Interruptions of a service due to the failure of equipment or systems provided by the customer, end user or others.
3. Interruptions of a service during any period in which the Company is not afforded access to the premises where the service is terminated.
4. Interruptions of a service when the customer has released that service to the Company for maintenance purposes, to make rearrangements, or for the implementation of an order for a change in the service during the time that was negotiated with the customer prior to the release of that service. Thereafter, a credit allowance as set forth in B. preceding applies.

Tariff Page revised 6/5/2006 to reflect company name change from Sprint to Embarq.

ACCESS SERVICE TARIFF

Embarq Florida, Inc.  
By: F. B. Poag, Director

First Revised Page 42  
Cancels Original Page 42

Effective: January 1, 1997

E2. GENERAL REGULATIONS

E2.4 Payment Arrangements and Credit Allowances (Cont'd)

E2.4.4 Credit Allowance for Service Interruptions (Cont'd)

C. When A Credit Allowance Does Not Apply (Cont'd)

5. Interruptions of a service which continue because of the failure of the IC or End User to authorize replacement of any element of special construction, as set forth in E14 following. The period for which no credit allowance is made begins on the seventh day after the IC or End User receives the Company's written notification of the need for such replacement and ends on the day after receipt by the Company of the IC's or End User's written authorization for such replacement.
6. Periods when the IC or End User elects not to release the service for testing and/or repair and continues to use it on an impaired basis.
7. An interruption or a group of interruptions, resulting from a common cause, for amounts less than one dollar.

D. Use of an Alternative Service Provided by the Company

Should the IC elect to use an alternative service provided by the Company during the period that a service is interrupted, the IC must pay the tariffed rates and charges for the alternative service used.

E. Temporary Surrender of a Service

In certain instances, the IC may be requested by the Company to surrender a service for purposes other than maintenance, testing or activity relating to a service order. If the IC consents, a credit allowance will be granted. The credit allowance will be 1/1440 of the monthly rate for each period of 30 minutes or fraction thereof that the service is surrendered. In no case will the credit allowance exceed the monthly rate for the service surrendered in any

Tariff Page revised 6/5/2006 to reflect company name change from Sprint to Embarq.

ACCESS SERVICE TARIFF

Embarq Florida, Inc.  
By: F. B. Poag, Director

First Revised Page 43  
Cancels Original Page 43

Effective: January 1, 1997

E2. GENERAL REGULATIONS

E2.4 Payment Arrangements and Credit Allowances (Cont'd)

E2.4.5 Provision for Gross Receipts Tax

Any IC failing to furnish the Company the appropriate certificate, issued by the State of Florida or its appropriate agency, indicating the IC's exemption from the Florida gross receipts tax imposed by Florida Rule 12B-6.04, shall pay to the Company an amount equal to the gross receipts tax on the IC's purchase of access services from the Company.

Until the aforementioned certificate is received by the Company, the Company shall calculate the amount of tax owed by the IC and shall bill this amount to the IC. Payment of these charges by the IC shall be subject to the payment arrangements as specified in E2.4.1 preceding.

E2.4.6 Re-establishment of Service Following Fire, Flood or Other Occurrence

A. Nonrecurring Charges Do Not Apply

Charges do not apply for the re-establishment of service following a fire, flood or other occurrence attributed to an Act of God provided that:

1. The service is of the same type as was provided prior to the fire, flood or other occurrence.
2. The service is for the same IC or End User.
3. The service is at the same location on the same premises.
4. The re-establishment of service begins within 60 days after Company service is available. (The 60 day period may be extended a reasonable period if the renovation of the original location on the premises affected is not practical within the allotted time period.)

Tariff Page revised 6/5/2006 to reflect company name change from Sprint to Embarq.

ACCESS SERVICE TARIFF

Embarq Florida, Inc.  
d/b/a CenturyLink  
By: Chantel Bosworth, Director

Second Revised Page 44  
Cancels First Revised Page 44

Effective: April 21, 2021

E2. GENERAL REGULATIONS

E2.4 Payment Arrangements and Credit Allowances (Cont'd)

E2.4.6 Re-establishment of Service Following Fire, Flood or Other Occurrence (Cont'd)

B. Nonrecurring Charges

Nonrecurring Charges apply for establishing service at a different location on the same premises or at a different premises pending re-establishment of service at the original location.

E2.4.7 Title or Ownership Rights

The payment of rates and charges by ICS or End Users for the services offered under the provisions of this Tariff does not assign, confer or transfer title or ownership rights to proposals or facilities developed or utilized, respectively, by the Company in the provision of such services.

E2.4.8 Billing of Access Service Provided by Multiple Companies

**The Telephone Company will notify the customer which billing method will be used when the customer orders Access Service. In addition, the Telephone Company will provide the customer written notice of a change in billing method no later than 30 days prior to the implementation of such change.**

**The billing method set forth in (A) following is applicable only to interconnection arrangements between Exchange Telephone Companies involved in the provision of Feature Group A Switched Access Service where the Exchange Telephone Companies have not agreed to use multiple company billing. The billing methods set forth in (B) following are applicable to interconnection arrangements between Exchange Telephone Companies involved in the provision of all Access Services, with the exception of those instances where the provisions of (A) are available.**

**In accordance with the Federal Communications Commission's Memorandum Opinion and Order in CC Docket No. 86-106, adopted July 20, 1987, the Telephone Company will adhere to the standards set forth in the Multiple Exchange Carrier Access Billing (MECAB) and the Multiple Exchange Carrier Ordering and Design (MECOD) Guidelines when providing access service under Multiple Company (Interconnection Point) Billing arrangements.**

**The Exchange Telephone Companies involved in providing the Access Service, will develop a mutually agreeable working arrangement to allow one of the Exchange Telephone Companies to perform "Access Service Coordination" (ASC) for all services requested.**

(N)

(N)

(M)

(M)

(M) – Material moved to Page 44.1

ACCESS SERVICE TARIFF

Embarq Florida, Inc.  
d/b/a CenturyLink  
By: Chantel Bosworth, Director

Original Page 44.1

Effective: April 21, 2021

E2. GENERAL REGULATIONS

E2.4.8 Billing of Access Service Provided by Multiple Companies (Cont'd)

A. Feature Group A (FGA) Access Services

When a Feature Group A Switched Access Service is ordered by a customer where one end of the Transport element is in the Company's operating territory and the other end is in another Exchange Telephone Company's operating territory, the Exchange Telephone Company in whose territory the first point of switching or the end user serving wire center is located will accept the order. In addition, the Exchange Telephone Company in whose territory the customer's premises is located must also receive a copy of the order from the customer. The Exchange Telephone Company that accepts the order will then determine the charges involved, arrange to provide the access service ordered and bill the charges in accordance with its Access Service Tariff.

(M)

(M)

(M) – Material moved from Page 44.

FL2021-03

## ACCESS SERVICE TARIFF

Embarq Florida, Inc.  
By: F. B. Poag, Director

Second Revised Page 45  
Cancels First Revised Page 45

Effective: January 2, 2002

### E2. GENERAL REGULATIONS

#### E2.4 Payment Arrangements and Credit Allowances (Cont'd)

##### E2.4.8 Billing of Access Service Provided by Multiple Companies (Cont'd)

###### A. Feature Group A (FGA) Access Services (Cont'd)

Alternatively, in those instances where the facility between the first point of switching and the IC or End User point of termination is located in more than one state, and the Company and one or more other Exchange Telephone Companies are involved in the provision of that portion of the service, each of such companies may bill its portion of such facility in accordance with the rates and regulations set forth in its Access Service Tariff based upon the billing factors set forth in National Exchange Carrier Association, Inc. Tariff FCC No. 4.

###### B. Single Bill Arrangement for Service Other Than Feature Group A (FGA) Access Service

###### 1. General

If agreed to by the Exchange Telephone Companies involved in the provision of the service, a single bill will be rendered for service other than FGA Access Service. In the event that the Exchange Telephone Companies involved agree to change from one billing arrangement to another, the IC or End User will be notified at least 30 days prior to the effective date of such change.

###### 2. Ordering

The customer shall place its access service request with each Exchange Telephone Company involved in the provision of the service.

###### 3. Rating and Billing of Service

The billing company will be as agreed to by the Exchange Telephone Companies involved in the provision of the service. The single bill arrangement may be provided under one of the following single bill alternatives as agreed to by such companies:

Tariff Page revised 6/5/2006 to reflect company name change from Sprint to Embarq.

ACCESS SERVICE TARIFF

Embarq Florida, Inc.  
By: F. B. Poag, Director

First Revised Page 46  
Cancels Original Page 46

Effective: January 1, 1997

E2. GENERAL REGULATIONS

E2.4 Payment Arrangements and Credit Allowances (Cont'd)

E2.4.8 Billing of Access Service Provided by Multiple Companies (Cont'd)

B. Single Bill Arrangement for Service Other Than Feature Group A (FGA)  
Access Service (Cont'd)

3. Rating and Billing of Service (Cont'd)

a. Single Tariff

The billing company will bill and collect all appropriate rates and charges in accordance with the regulations, rates and charges in its Access Service Tariff.

b. Multiple Tariff

The billing company will bill and collect all appropriate rates and charges in accordance with the rates and charges in its access tariff, for the portion of the service it provides, and in accordance with the rates and charges of the access tariffs of the other Exchange Telephone Companies involved, for the portion of the service which they provide. The bill will separately identify each company's rates and charges.

c. Pass Through Billing

The billing company will bill and collect all appropriate rates and charges in accordance with the rates and charges in the access tariffs of the other involved Exchange Telephone Companies, as forwarded to it by such companies for the portion of the service they provide, and in accordance with the rates and charges in its own access tariff for the portion of the service it provides. The bill will separately identify each company's rates and charges.

Tariff Page revised 6/5/2006 to reflect company name change from Sprint to Embarq.

ACCESS SERVICE TARIFF

Embarq Florida, Inc.  
d/b/a CenturyLink  
By: Chantel Bosworth, Director

Second Revised Page 47  
Cancels First Revised Page 47

Effective: April 21, 2021

E2. GENERAL REGULATIONS

E2.4 Payment Arrangements and Credit Allowances (Cont'd)

E2.4.8 Billing of Access Service Provided by Multiple Companies (Cont'd)

B. Single Bill Arrangement for Service Other Than Feature Group A (FGA) Access Service (Cont'd)

3. Rating and Billing of Service (Cont'd)

For b. and c. preceding, the charges billed for the portion of service provided by this Company are determined as set forth in E2.4.8.C.3.a. and b. following.

C. Multiple Bill Arrangement for Service Other Than Feature Group A (FGA) Access Service

1. General

(D)

(D)

**When an Access Service ordered by a customer involves more than one Exchange Telephone Company or rate schedule, the Exchange Telephone Companies involved will agree upon one of the following billing methods:**

(N)

**Single Bill Method: The Exchange Telephone Companies involved will mutually agree upon a "billing company" which will render the bill for the Access Service provided. The designated billing company will perform the "Access Service Coordination" (ASC) function for the service requested, determine the applicable charges, and bill the customer for the entire service in accordance with the applicable Access Service tariff(s). The designated billing company will be billed by the other Exchange Telephone Companies involved for the portion of the Access Service they provide. Available options for the Single Bill method are:**

- 1. Single Bill/Single Tariff
- 2. Single Bill/Multiple Tariff

**Multiple Bill Method: Each Exchange Telephone Company involved will provide the portion of the service in its operating territory and bill the customer in accordance with its Access Service tariff.**

(N)

2. Ordering

The customer shall place its access service request with each Exchange Telephone Company involved in the provision of the service.



ACCESS SERVICE TARIFF

Embarq Florida, Inc. d/b/a CenturyLink  
By: Christy V. Londerholm, Director

Third Revised Page 48  
Cancels Second Revised Page 48

Effective: July 1, 2017

E2. GENERAL REGULATIONS

E2.4 Payment Arrangements and Credit Allowances (Cont'd)

E2.4.8 Billing of Access Service Provided by Multiple Companies (Cont'd)

C. Multiple Bill Arrangement for Service Other Than Feature Group A (FGA) Access Service (Cont'd)

3. Rating and Billing of Service

**When Terminating Tandem Switched Transport is provided through a CenturyLink Operating Company (CLOC) ILEC Access Tandem and the Terminating End Office is not owned by a CLOC ILEC or through an ILEC Access Tandem not owned by a CLOC ILEC and the Terminating End Office is owned by a CLOC ILEC, Terminating – Tandem 3rd Party rates are applicable; otherwise, Terminating – Tandem End Office rates are applicable. When originating Tandem Switched Transport is provided, Originating rates are applicable.**

(N)  
|  
(N)

Each company will provide its portion of the access service based on the regulations, rates and charges contained in its Access Service Tariff, subject to the following rules, as appropriate:

- a. The rates and charges billed by this Company for mileage-sensitive rate elements are determined as follows:
  - (1) The total mileage for the service is computed using the V&H coordinate method set forth in the National Exchange Carrier Association, Inc. Tariff, FCC No. 4.
  - (2) A billing factor is determined from National Exchange Carrier Association, Inc. Tariff, FCC No. 4 directly.
  - (3) This Company's rates and charges are then multiplied by the appropriate quantity(ies) and the billing factor to obtain the charges for this Company.
- b. The application of other rate elements varies according to the rate structures and the location of the facilities involved as follows:
  - (1) When rates and charges are listed on a per point of termination basis or on a per unit basis, this Company's rates and charges will be billed for the termination(s) or unit(s) occurring/located in this Company's operating territory.

## ACCESS SERVICE TARIFF

Embarq Florida, Inc. d/b/a CenturyLink  
By: Gary L. Kepley, Director

Second Revised Page 49 (T)  
Cancels First Revised Page 49 (T)

Effective: January 15, 2017

### E2. GENERAL REGULATIONS

#### E2.4 Payment Arrangements and Credit Allowances (Cont'd)

##### E2.4.8 Billing of Access Service Provided by Multiple Companies (Cont'd)

##### C. Multiple Bill Arrangement for Service Other Than Feature Group A (FGA) Access Service (Cont'd)

##### 3. Rating and Billing of Service (Cont'd) (T)

##### b. (Cont'd) (T)

(2) When rates and charges are listed on a per unit basis, e.g., central office bridging or multiplexing, this Company's rates and charges will apply for units located in this Company's operating territory.

(3) When rates and charges are listed on a per service basis, this Company's rates and charges are apportioned based upon the ratio of points on the Dedicated Access Service circuit that a company owns, in relation to the total number of points on the circuit.

(4) With respect to Dedicated Access Services interoffice channel fixed rates and for the nonrecurring charges applicable to interoffice channels, 50% of this Company's rate will apply for each end of the Dedicated Access Service interoffice channel this Company provides.

If this Company does not provide either end of the interoffice channel, this Company's fixed rate for mileage between central offices and this Company's nonrecurring charges for interoffice channels shall not apply.

c. For nonrecurring charges, 100% of this Company's charge shall apply, except as specified in E2.4.8.C.3.b.(4) above.

ACCESS SERVICE TARIFF

Embarq Florida, Inc. d/b/a CenturyLink  
By: Christy V. Londerholm, Director

Fourth Revised Page 50  
Cancels Third Revised Page 50

Effective: July 1, 2017

E2. GENERAL REGULATIONS

E2.4 Payment Arrangements and Credit Allowances (Cont'd)

E2.4.8 Billing of Access Service Provided by Multiple Companies (Cont'd)

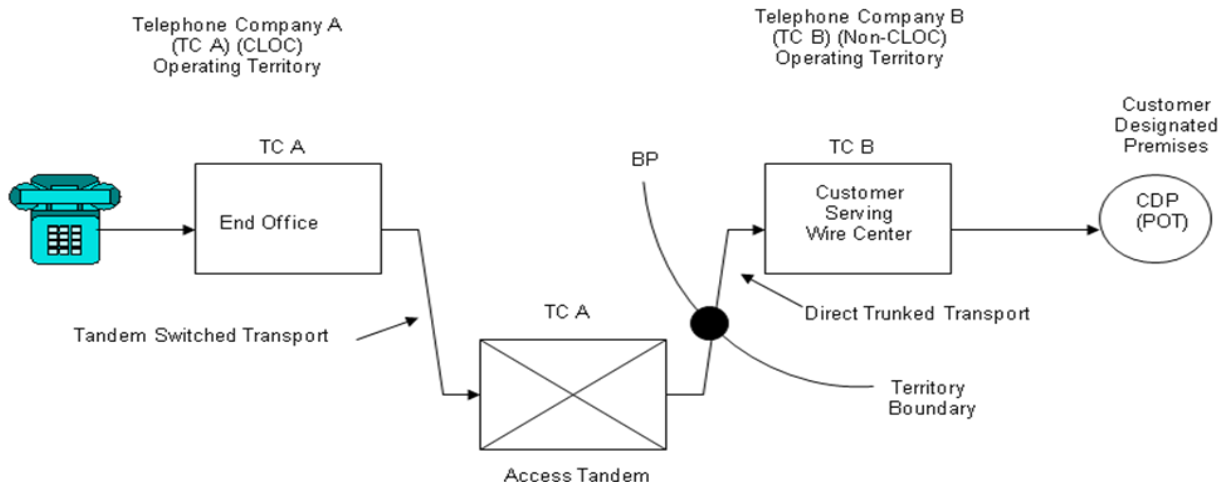
**C. Multiple Bill Arrangement for Service Other Than Feature Group A (FGA) Access Service (Cont'd)**

**3. Rating and Billing of Service (Cont'd)**

**c. Example 1: Originating Switched Access (See Diagram 1)**

- **Feature Group D Switched Access is ordered to End Office.**
- **Originating End Office and Access Tandem are in the operating territory of a Telephone Company (TC-A).**
- **Customer Designated Premises is in the operating territory of a Telephone Company (TC-B).**
- **Assumptions:**
  - o **TC-A Direct Trunk Transport BP = 40%**
  - o **TC-B Direct Trunk Transport BP = 60%**
  - o **Direct Trunked Transport mileage = 26 mi.**
  - o **Tandem Switched Transport mileage = 23 mi.**

**Diagram 1**



(D)  
(N)

(N)

ACCESS SERVICE TARIFF

Embarq Florida, Inc. d/b/a CenturyLink  
By: Christy V. Londerholm, Director

Fourth Revised Page 51  
Cancels Third Revised Page 51

Effective: July 1, 2017

E2. GENERAL REGULATIONS

E2.4 Payment Arrangements and Credit Allowances (Cont'd)

E2.4.8 Billing of Access Services Provided by Multiple Companies (Cont'd)

**C. Multiple Bill Arrangement for Service Other Than Feature Group A (FGA) Access Service (Cont'd)**

**3. Rating and Billing of Service (Cont'd)**

**c. Example 1: Originating Switched Access (See Diagram 1) (Cont'd)**

**- Telephone Company A charges are:**

**End Office charges = 9,000 min. x EO rate**

**Tandem Switched Facility charge  
= 9,000 min. x 23 mi. x TSF rate**

**Tandem Switched Termination charge  
= 2 terminations x 9,000 min. x TST rate**

**Tandem Switching charge  
= 9,000 min x TS rate**

**Direct Trunked Facility charge  
= 26 miles x DTF rate x 40%**

**Direct Trunked Termination charge  
= 1 termination x DTT rate**

**Common Transport Multiplexing charge  
= 9,000 min x CTM rate**

(D)  
(N)

(N)

ACCESS SERVICE TARIFF

Embarq Florida, Inc. d/b/a CenturyLink  
By: Christy V. Londerholm, Director

Fourth Revised Page 52  
Cancels Third Revised Page 52

Effective: July 1, 2017

E2. GENERAL REGULATIONS

E2.4 Payment Arrangements and Credit Allowances (Cont'd)

E2.4.8 Billing of Access Services Provided by Multiple Companies (Cont'd)

**C. Multiple Bill Arrangement for Service Other Than Feature Group A (FGA) Access Service (Cont'd)**

**3. Rating and Billing of Service (Cont'd)**

**d. Example 2: Terminating Switched Access – Tandem 3rd Party (See Diagram 2A and 2B)**

- **Feature Group D Switched Access is ordered to End Office.**
- **Terminating Access Tandem is owned by CLOC ILEC carrier (TC-A) and End Office is owned by a non-CLOC ILEC carrier (TC-B)**
- **Assumptions:**
  - o **TC-A Direct Trunk Transport BP = 40% (where applicable Diagram 2A)**
  - o **TC-B Direct Trunk Transport BP = 60% (where applicable Diagram 2A)**
  - o **Direct Trunk Transport mileage = 26 mi.**
  - o **TC-A Tandem Switched Transport BP = 20%**
  - o **TC-B Tandem Switched Transport BP = 80%**
  - o **Tandem Switched Transport mileage = 23 mi.**

(D)  
(N)

(N)

ACCESS SERVICE TARIFF

Embarq Florida, Inc. d/b/a CenturyLink  
 By: Christy V. Londerholm, Director

Fourth Revised Page 53  
 Cancels Third Revised Page 53

Effective: July 1, 2017

E2. GENERAL REGULATIONS

E2.4 Payment Arrangements and Credit Allowances (Cont'd)

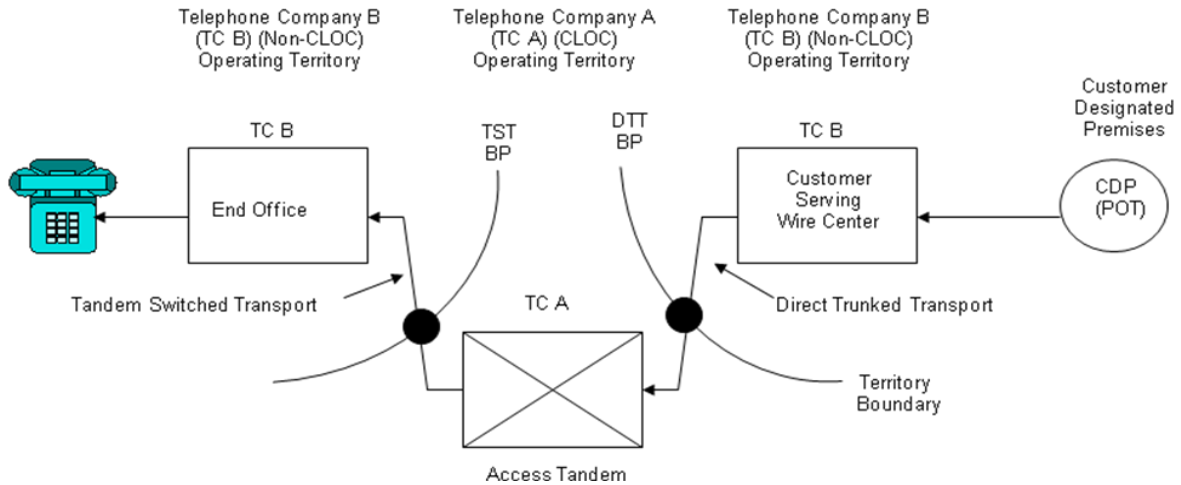
E2.4.8 Billing of Access Services Provided by Multiple Companies (Cont'd)

**C. Multiple Bill Arrangement for Service Other Than Feature Group A (FGA) Access Service (Cont'd)**

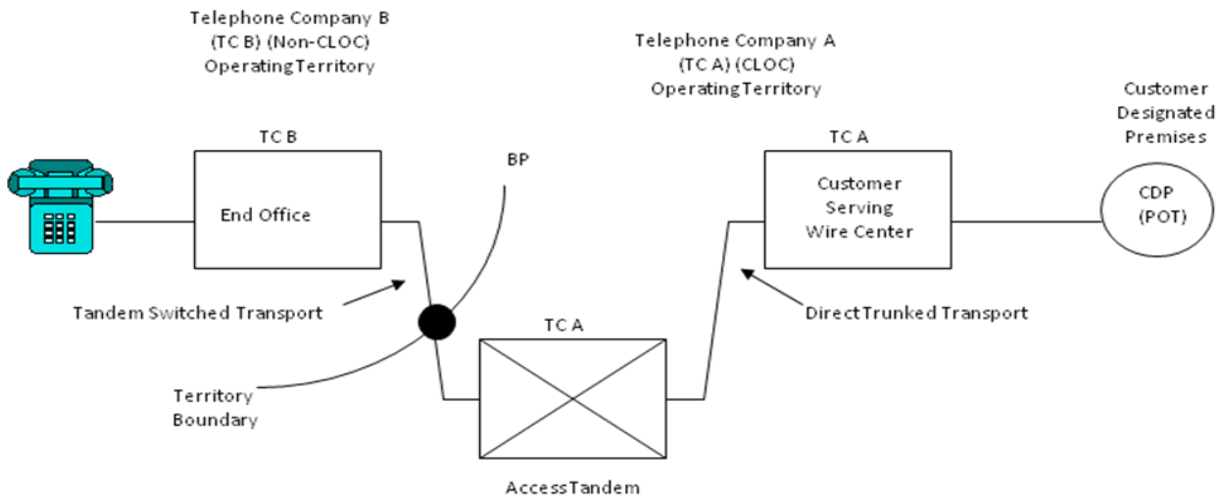
**3. Rating and Billing of Service (Cont'd)**

**d. Example 2: Terminating Switched Access – Tandem 3rd Party (See Diagram 2A and 2B) (Cont'd)**

**Diagram 2A**



**Diagram 2B**



BP = Billing Percentage

(D)  
(N)

(N)

ACCESS SERVICE TARIFF

Embarq Florida, Inc. d/b/a CenturyLink  
By: Christy V. Londerholm, Director

Fourth Revised Page 54  
Cancels Third Revised Page 54

Effective: July 1, 2017

E2. GENERAL REGULATIONS

E2.4 Payment Arrangements and Credit Allowances (Cont'd)

E2.4.8 Billing of Access Services Provided by Multiple Companies (Cont'd)

**C. Multiple Bill Arrangement for Service Other Than Feature Group A (FGA) Access Service (Cont'd)**

**3. Rating and Billing of Service (Cont'd)**

**d. Example 2: Terminating Switched Access – Tandem 3rd Party (See Diagram 2A and 2B) (Cont'd)**

- Telephone Company A charges are:

**Tandem Switched Facility – 3rd Party charge**  
**= 9,000 min. x 23 mi. x TSF-3rd Party rate x 20%**

**Tandem Switched Termination – 3rd Party charge**  
**= 1 termination x 9,000 min. x TST-3rd Party rate**

**Tandem Switching – 3rd Party charge**  
**= 9,000 min. x TS-3rd Party rate**

**Direct Trunked Facility charge**  
**2A = 26 miles x DTF rate x 40%**  
**2B = 26 miles x DTF rate**

**Direct Trunked Termination charge**  
**2A = 1 termination x DTT rate**  
**2B = 2 termination x DTT rate**

**Common Transport Multiplexing – 3rd Party charge**  
**= 9,000 min x CTM-3rd Party rate**

(D)  
(N)

(N)

# ACCESS SERVICE TARIFF

Embarq Florida, Inc. d/b/a CenturyLink  
By: Christy V. Londerholm, Director

Original Page 54.1

Effective: July 1, 2017

## E2. GENERAL REGULATIONS

### E2.4 Payment Arrangements and Credit Allowances (Cont'd)

#### E2.4.8 Billing of Access Services Provided by Multiple Companies (Cont'd)

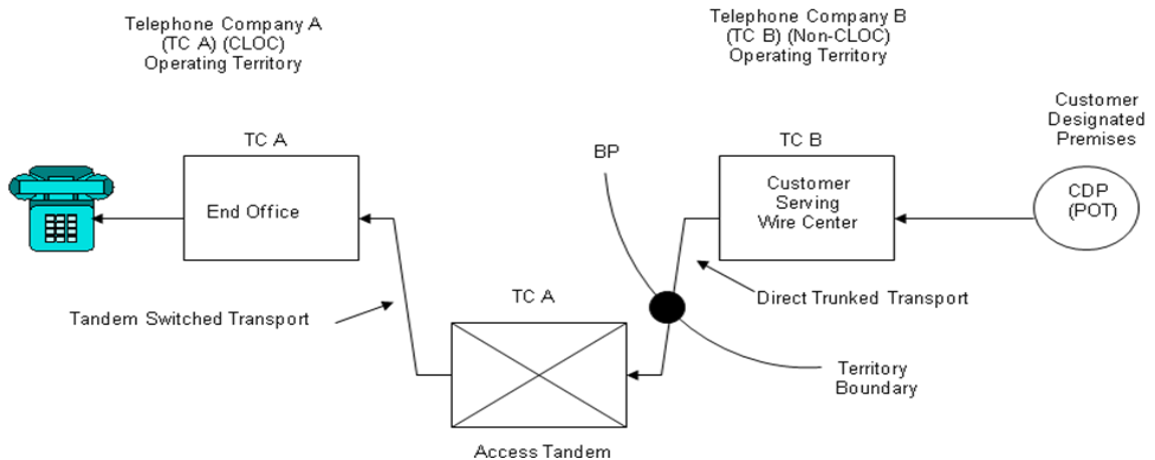
#### C. Multiple Bill Arrangement for Service Other Than Feature Group A (FGA) Access Service (Cont'd)

#### 3. Rating and Billing of Service (Cont'd)

#### e. Example 3: Terminating Switched Access – Tandem End Office (See Diagram 3)

- Feature Group D Switched Access is ordered to End Office.
- Terminating End Office and Access Tandem are both owned by a CLOC ILEC (TC-A)
- Assumptions:
  - o TC-A Direct Trunk Transport BP = 40%
  - o TC-B Direct Trunk Transport BP = 60%
  - o Direct Trunk Transport mileage = 26 mi.
  - o Tandem Switched Transport mileage = 23 mi.

Diagram 3





ACCESS SERVICE TARIFF

Embarq Florida, Inc. d/b/a CenturyLink  
By: Christy V. Londerholm, Director

Original Page 54.2

Effective: July 1, 2017

E2. GENERAL REGULATIONS

E2.4 Payment Arrangements and Credit Allowances (Cont'd)

E2.4.8 Billing of Access Services Provided by Multiple Companies (Cont'd)

C. Multiple Bill Arrangement for Service Other Than Feature Group A (FGA)  
Access Service (Cont'd)

3. Rating and Billing of Service (Cont'd)

e. Example 3: Terminating Switched Access – Tandem End Office  
(See Diagram 3) (Cont'd)

- Telephone Company A charges are:

End Office Charges = 9,000 min. x EO rate

Tandem Switched Facility – End Office charge  
= 9,000 min. x 23 mi. x TSF-End Office rate

Tandem Switched Termination – End Office charge  
= 2 terminations x 9,000 min. x TST-End Office rate

Tandem Switching – End Office charge  
= 9,000 min. x TS-End Office rate

Direct Trunked Facility Charge  
= 26 miles x DTF rate x 40%

Direct Trunked Termination charge  
= 1 termination x DTT rate

Common Transport Multiplexing – End Office charge  
= 9,000 min x CTM-End Office rate

# ACCESS SERVICE TARIFF

Embarq Florida, Inc. d/b/a CenturyLink  
By: Christy V. Londerholm, Director

Original Page 54.3

Effective: July 1, 2017

## E2. GENERAL REGULATIONS

### E2.4 Payment Arrangements and Credit Allowances (Cont'd)

#### E2.4.8 Billing of Access Services Provided by Multiple Companies (Cont'd)

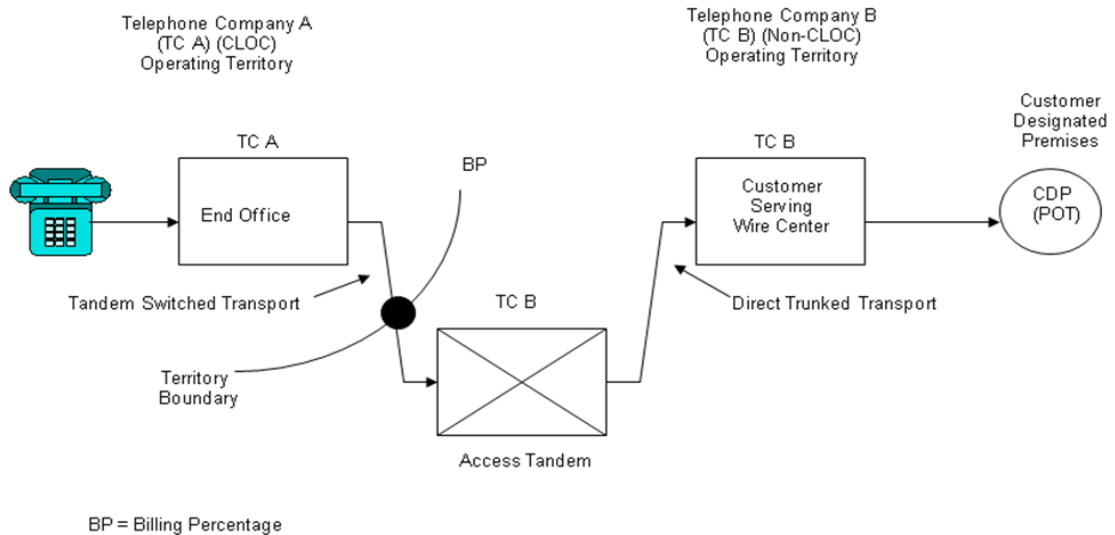
##### C. Multiple Bill Arrangement for Service Other Than Feature Group A (FGA) Access Service (Cont'd)

##### 3. Rating and Billing of Service (Cont'd)

##### f. Example 4: Originating Switched Access – CLOC Owns Only the End Office (See Diagram 4)

- Feature Group D Switched Access is ordered to End Office
- End Office is owned by CLOC (TC-A)
- Access Tandem is owned by a non-CLOC ILEC (TC-B)
- Assumptions:
  - o Direct Trunk Transport mileage = 26 mi.
  - o TC-A Tandem Switched Transport BP = 80%
  - o TC-B Tandem Switched Transport BP = 20%
  - o Tandem Switched Transport mileage = 23 mi.

Diagram 4



## ACCESS SERVICE TARIFF

Embarq Florida, Inc. d/b/a CenturyLink  
By: Christy V. Londerholm, Director

Original Page 54.4

Effective: July 1, 2017

### E2. GENERAL REGULATIONS

#### E2.4 Payment Arrangements and Credit Allowances (Cont'd)

##### E2.4.8 Billing of Access Services Provided by Multiple Companies (Cont'd)

#### C. Multiple Bill Arrangement for Service Other Than Feature Group A (FGA) Access Service (Cont'd)

##### 3. Rating and Billing of Service (Cont'd)

#### f. Example 4: Originating Switched Access – CLOC Owns Only the End Office (See Diagram 4) (Cont'd)

- Telephone Company A charges are:

End Office charges = 9,000 min. x EO rate

Tandem Switched Facility charge  
= 9,000 min. x 23 mi. x TSF rate x 80%

Tandem Switched Termination charge  
= 1 termination x 9,000 min. x TST rate

ACCESS SERVICE TARIFF

Embarq Florida, Inc. d/b/a CenturyLink  
By: Christy V. Londerholm, Director

Original Page 54.5

Effective: July 1, 2017

E2. GENERAL REGULATIONS

E2.4 Payment Arrangements and Credit Allowances (Cont'd)

E2.4.8 Billing of Access Services Provided by Multiple Companies (Cont'd)

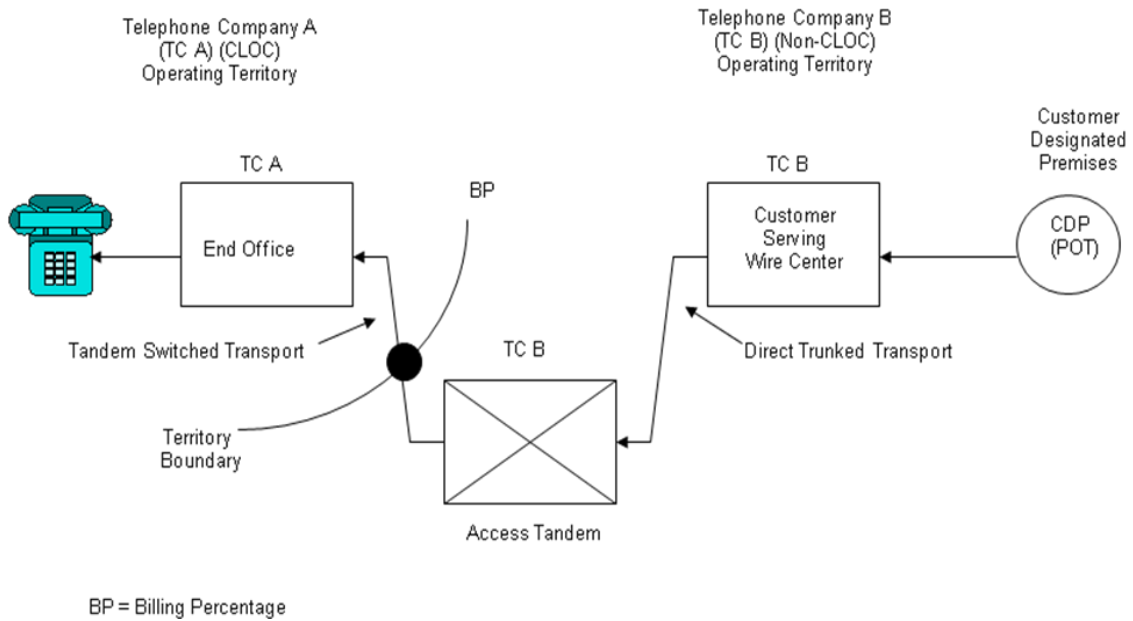
C. Multiple Bill Arrangement for Service Other Than Feature Group A (FGA) Access Service (Cont'd)

3. Rating and Billing of Service (Cont'd)

g. Example 5: Terminating Switched Access – Tandem 3rd Party (See Diagram 5)

- Feature Group D Switched Access is ordered to End Office
- End Office is owned by Telephone Company (CLOC) (TC-A)
- Access Tandem is owned by a non-CLOC ILEC (TC-B)

Diagram 5



## ACCESS SERVICE TARIFF

Embarq Florida, Inc. d/b/a CenturyLink  
By: Christy V. Londerholm, Director

Original Page 54.6

Effective: July 1, 2017

### E2. GENERAL REGULATIONS

#### E2.4 Payment Arrangements and Credit Allowances (Cont'd)

##### E2.4.8 Billing of Access Services Provided by Multiple Companies (Cont'd)

#### C. Multiple Bill Arrangement for Service Other Than Feature Group A (FGA) Access Service (Cont'd)

##### 3. Rating and Billing of Service (Cont'd)

#### g. Example 5: Terminating Switched Access – Tandem 3rd Party (See Diagram 5) (Cont'd)

##### - Telephone Company A charges are:

End Office charges = 9,000 min. x EO rate

Tandem Switched Facility 3rd Party charge  
= 9,000 min. x 23 mi. x TSF-3rd Party rate x 80%

Tandem Switched Termination 3rd Party charge  
= 1 termination x 9,000 min. x TST-3rd Party rate

## ACCESS SERVICE TARIFF

Embarq Florida, Inc.  
By: F. B. Poag, Director

Fourth Revised Page 55  
Cancels Third Revised Page 55

Effective: January 4, 2002

### E2. GENERAL REGULATIONS

#### E2.5 Connections

##### E2.5.1 General

Equipment and Systems (i.e., terminal equipment, multiline terminating systems and communications systems) may be connected with access service (Switched and Special) furnished by the Company where such connection is made in accordance with the provisions specified in Technical Reference Publication PUB AS No. 1 and in E2.1 preceding.

Tariff Page revised 6/5/2006 to reflect company name change from Sprint to Embarq.

ACCESS SERVICE TARIFF

Embarq Florida, Inc.  
By: F. B. Poag, Director

Second Revised Page 56  
Cancels First Revised Page 56

Effective: July 17, 1998

E2. GENERAL REGULATIONS

E2.6 Definitions

Certain terms used herein are defined as follows:

ACCESS CODE

The term "Access Code" denotes a uniform seven digit code assigned by the Company to an individual IC. The seven digit code has the form 950-1XXX and 101XXXX.

ACCESS MINUTES

The term "Access Minutes" denotes that usage of exchange facilities in Intrastate service for the purpose of calculating chargeable usage. On the originating end of an intrastate call, usage is measured from the time the originating End User's call is delivered by the Company and acknowledged as received by the IC's facilities connected with the originating exchange. On the terminating end of an intrastate call, usage is measured from the time the call is received by the End User in the terminating exchange. Timing of usage at both originating and terminating ends of an intrastate call shall terminate when the calling or called party disconnects, whichever event is recognized first in the originating and terminating end exchanges, as applicable.

ACCESS TANDEM

The term "Access Tandem" denotes a Company switching system that provides a concentration and distribution function for originating or terminating traffic between end offices and an IC's terminal locations.

ACTUAL COST

The term "Actual Cost" denotes the estimated costs applicable to the specific case of special construction, plus prorated costs of items used in common with other facilities, minus estimated net salvage and any appropriate taxes.

Tariff Page revised 6/5/2006 to reflect company name change from Sprint to Embarq.

ACCESS SERVICE TARIFF

Embarq Florida, Inc. d/b/a CenturyLink  
By: Gary L. Kepley, Director

Fourth Revised Page 57 (T)  
Cancels Third Revised Page 57 (T)

Effective: January 15, 2017

E2. GENERAL REGULATIONS

E2.6 Definitions (Cont'd)

(D)

(D)

ANSWER/DISCONNECT SUPERVISION

The term "Answer/Disconnect Supervision" denotes the transmission of the switch trunk equipment supervisory signal (off-hook or on hook) to the IC's point of connection for terminating calls to the exchange as an indication that the called party has answered or disconnected.

ANSWER MESSAGE

Answer Message denotes an SS7 message sent in the backward direction to indicate that the call has been answered.

ASSUMED AVERAGE ACCESS MINUTES

The term "Assumed Average Access Minutes" denotes the usage that will be billed each month to ICs for Feature Group A and B access arrangements served from Company serving end offices where recorded minutes of use are not available.

ATTENUATION DISTORTION

The term "Attenuation Distortion" denotes the difference in loss at specified frequencies relative to the loss at 1004 Hz, unless otherwise specified.

(D)

(D)



ACCESS SERVICE TARIFF

Embarq Florida, Inc.  
By: F. B. Poag, Director

First Revised Page 58  
Cancels Original Page 58

Effective: January 1, 1997

E2. GENERAL REGULATIONS

E2.6 Definitions (Cont'd)

AVERAGE BUSINESS DAY (ABD)

The term "Average Business Day" denotes 8:00 A.M. to 5:00 P.M., Monday through Friday, excluding national holidays. For trunk measurement and provisioning, Saturdays and Sundays may be substituted for a weekday when the measured traffic load for the Saturday or Sunday consistently exceeds the traffic load for the least loaded weekday.

BALANCE (100 TYPE) TEST LINE

The term "Balance (100 Type) Test Line" denotes an arrangement in an end office which provides for balance and noise testing.

BIPOLAR WITH 8 ZERO SUBSTITUTION (B8ZS)

The term "Bipolar with 8 Zero Substitution" (B8ZS) denotes a line code which allows transport of an all zero octet over a DS1/1.544 Mbps High Capacity channel. B8ZS enables Clear Channel Capability on DS1/1.544 Mbps High Capacity service..

BIT

The term "Bit" denotes the smallest unit of information in the binary system of notation.

BRIDGING WIRE CENTER

The term "Bridging Wire Center" denotes the Company designated wire center in which bridging is accomplished.

Tariff Page revised 6/5/2006 to reflect company name change from Sprint to Embarq.

## ACCESS SERVICE TARIFF

Embarq Florida, Inc.  
By: F. B. Poag, Director

Second Revised Page 59  
Cancels First Revised Page 59

Effective: July 25, 2001

### E2. GENERAL REGULATIONS

#### E2.6 Definitions (Cont'd)

##### BUSINESS DAY

The term "Business Day" denotes the times of day that a company is open for business. Generally, in the business community, these are 8:00 or 9:00 A.M. to 5:00 or 6:00 P.M., respectively, with an hour for lunch, Monday through Friday, resulting in a standard forty (40) hour work week. Due to the possibility of variations in Business Day hours based on company policy, union contract and location, verification of the hours should be made via contact with the specific company location involved.

##### CALL

The term "Call" denotes a communication including an off-hook signal and routing information, initiated by an IC or End User (calling party) and completed to a Directory Assistance Service access location or End User (called party) or to an IC terminal location or in the case of 800 Access Service when the address code is provided to the office performing the translation of screening function..

##### CARRIER IDENTIFICATION CODE (CIC)

The term "A Carrier Identification Code" (CIC) denotes a unique three digit access identification code that is assigned to an IC for use with Feature Groups B and/or D Switched Access Service.

Tariff Page revised 6/5/2006 to reflect company name change from Sprint to Embarq.

ACCESS SERVICE TARIFF

Embarq Florida, Inc.  
By: F. B. Poag, Director

Second Revised Page 60  
Cancels First Revised Page 60

Effective: July 1, 1997

E2. GENERAL REGULATIONS

E2.6 Definitions (Cont'd)

CARRIER OR COMMON CARRIER

The term "Carrier or Common Carrier" denotes any individual, partnership, associations, joint-stock company, trust or corporation engaged for hire in intrastate communication by wire or radio that:

1. is authorized by the Florida Public Service Commission by certification to provide local, intrastate long distance, or intrastate tandem switched access telecommunications services for its own use or the use of its end users, or
2. satisfies the definition of Atelecommunication carrier@ in the U. S. Government's Telecommunications Act of 1996.

CCS

The term "CCS" denotes a hundred call seconds which is a standard unit of traffic load that is equal to 100 seconds of usage or capacity of a group of servers (e.g., trunks).

CENTRAL OFFICE

The term "Central Office" denotes a local Company switching system where Exchange Service customer station loops are terminated for purposes of interconnection to each other and to trunks.

CENTRAL OFFICE PREFIX

The term "Central Office Prefix" denotes the first three digits (NXX) of the seven digit number assigned to an End User's Exchange Service when dialed on a local basis.

CENTRALIZED AUTOMATIC REPORTING ON TRUNKS (CAROT) TESTING

The term "Centralized Automatic Reporting on Trunks (CAROT) Testing" denotes a type of testing which includes the capacity for measuring operational and transmission testing.

CHANNEL(S)

The term "Channel(s)" denotes an electrical or photonic, in the case of fiber optic based transmission systems, communications path between two or more points of termination.

Tariff Page revised 6/5/2006 to reflect company name change from Sprint to Embarq.

## ACCESS SERVICE TARIFF

Embarq Florida, Inc.  
By: F. B. Poag, Director

Third Revised Page 61  
Cancels Second Revised Page 61

Effective: December 21, 2000

### E2. GENERAL REGULATIONS

#### E2.6 Definitions (Cont'd)

##### CHANNEL SERVICE UNIT

The term "Channel Service Unit" denotes equipment which performs one or more of the following functions: termination of a digital facility, regeneration of digital signals, detection and/or correction of signal format errors and remote loop back.

##### CHANNELIZE

The term "Channelize" denotes the process of multiplexing-demultiplexing wider bandwidth or higher speed channels into narrower bandwidth or lower speed channels.

##### CHARGEABLE CALL

See Access Minutes

##### CLEAR CHANNEL CAPABILITY (CCC)

The term "Clear Channel Capability" denotes the transport of twenty-four, 64 kbps channels over a 1.544 High Capability service via B8ZS line code format.

##### CLEC COMPETITIVE LOCAL EXCHANGE CARRIER

A CLEC is a Certified Local Service Provider that provides local exchange telecommunications services and operates within the State of Florida. A CLEC must be certificated by the Florida Public Service Commission (F.P.S.C). Subscription to service requires the exercise of CLEC obligations as defined by the Commission. A CLEC subscribes to a telecommunication service offered by the Company for the purpose of selling such service to its CLEC customers.

##### CLEC Customer

A CLEC customer (end user) is the party which contracts with a CLEC for resold telecommunications services.

Tariff Page revised 6/5/2006 to reflect company name change from Sprint to Embarq.

ACCESS SERVICE TARIFF

Embarq Florida, Inc.  
By: F. B. Poag, Director

Third Revised Page 62  
Cancels Second Revised Page 62

Effective: July 1, 1997

E2. GENERAL REGULATIONS

E2.6 Definitions (Cont'd)

C-MESSAGE NOISE

The term "C-Message Noise" denotes the frequency weighted average noise within an idle voice channel. The frequency weighting, called C-message, is used to simulate the frequency characteristic of the 500-type set and the hearing of the average subscriber.

C-NOTCHED NOISE

The term AC-Notched Noise@ denotes the C-message weighted noise on a voice channel with a holding tone, which is removed at the measuring end through a notch (very narrow band) filter.

COMMERCIAL MOBILE RADIO SERVICE (CMRS)

The term ACommercial Mobile Radio Service or CMRS@ means a radio communication service as set forth in 47 C.F.R. Section 20.3.

COMMON CARRIER - See Carrier

COMMON LINE

The term ACommon Line@ denotes a line, trunk, pay line or other facility provided under the General Subscriber Service Tariff of the Company, terminated on a central office switch. A common line-residence is a line or trunk provided under the residence regulations of the General Subscriber Service Tariff. A common line-business is a line provided under the business regulations of the General Subscriber Service Tariff.

COMMUNICATIONS SYSTEM

The term ACommunications System@ denotes channels and other facilities which are capable of communications between terminal equipment provided by other than the Company.

COMPANY

The term ACompany@ denotes Embarq Florida, Inc., the Incumbent Local Exchange Carrier.

Tariff Page revised 6/5/2006 to reflect company name change from Sprint to Embarq.

ACCESS SERVICE TARIFF

Embarq Florida, Inc.  
By: F. B. Poag, Director

First Revised Page 63  
Cancels Original Page 63

Effective: January 1, 1997

E2. GENERAL REGULATIONS

E2.6 Definitions (Cont'd)

CONVENTIONAL SIGNALING

The term AConventional Signaling@ denotes the inter-machine signaling system which has been traditionally used in North America for the purpose of transmitting the called number's address digits from the originating end office to the switching machine which will terminate the call. In this system, all of the dialed digits are received by the originating switching machine, a path is selected, and the sequence of supervisory signals and outpulsed digits is initiated. No overlap outpulsing, ten-digit ANI, ANI information digits, or acknowledgment wink are included in this signaling sequence.

CUSTOMER LOCATION

The term ACustomer Location@ denotes channels and other facilities which are capable of communications between terminal equipment provided by other than the company.

DATA TRANSMISSION (107TYPE) TEST LINE

The term AData Transmission (107Type) Test Line@ denotes an arrangement which provides for a connection to a signal source which provides test signals for one-way testing of data and voice transmission parameters.

DECIBEL (dB)

The term ADecibel@ denotes a unit used to express relative difference in power, usually between acoustic or electric signals, equal to ten (10) times the common logarithm of the ratio of two signal powers.

Tariff Page revised 6/5/2006 to reflect company name change from Sprint to Embarq.

ACCESS SERVICE TARIFF

Embarq Florida, Inc.  
By: F. B. Poag, Director

First Revised Page 64  
Cancels Original Page 64

Effective: January 1, 1997

E2. GENERAL REGULATIONS

E2.6 Definitions (Cont'd)

DECIBEL REFERENCE NOISE C-MESSAGE WEIGHTING

The term "Decibel Reference Noise C-Message Weighting" denotes noise power measurements with C-Message weighting in decibels relative to a reference 1000 Hz tone of 90 dB below 1 milliwatt.

DECIBEL REFERENCE NOISE C-MESSAGE REFERENCED TO 0

The term "Decibel Reference Noise C-Message Referenced to 0" denotes noise power in "Decibel Reference Noise C-Message Weighting" referred to or measured at a zero transmission level point.

DEDICATED ACCESS SERVICE

Dedicated Access Service provides a transmission path to directly connect an IC terminal location in a LATA to the end user's premises; two IC terminal locations; an IC terminal location and a hub; a hub and an end user premises; or two end user premises.

DETAIL BILLING

The term "Detail Billing" denotes the listing of each message and/or rate element for which charges to an IC or End User are due on a bill prepared by the Company.

DIRECTORY ASSISTANCE (INTRASTATE)

The term "Directory Assistance" denotes the provision of numbers by a Company operator when the operator location is accessed by an End User by dialing (NPA) 555-1212.

Tariff Page revised 6/5/2006 to reflect company name change from Sprint to Embarq.

ACCESS SERVICE TARIFF

Embarq Florida, Inc.  
By: F. B. Poag, Director

First Revised Page 65  
Cancels Original Page 65

Effective: January 1, 1997

E2. GENERAL REGULATIONS

E2.6 Definitions (Cont'd)

DIRECTORY ASSISTANCE LOCATION (INTRASTATE)

The term ADirectory Assistance Location@ denotes a Company office where Company equipment first receives the Directory Assistance call from an IC's premises and selects the first operator position to respond to the Directory Assistance call.

DUAL TONE MULTIFREQUENCY ADDRESS SIGNALING

The term "Dual Tone Multifrequency Address Signaling" denotes a type of signaling that is an optional feature of Switched Access Feature Group A. It may be utilized when Feature Group A is being used in the terminating direction (from the point of interface with the IC to the local exchange end office). An office arranged for Dual Tone Multifrequency Signaling would expect to receive address signals from the IC in the form of Dual Tone Multifrequency signals.

ECHO CONTROL

The term "Echo Control" denotes the control of reflected signals in a transmission path.

ECHO PATH LOSS (EPL)

The term "Echo Path Loss" denotes the measure of reflected signal at a 4-wire point of interface without regard to the send and receive Transmission Level Point (TLP).

ECHO RETURN LOSS (ERL)

The term "Echo Return Loss" denotes a frequency weighted measure of return loss over the middle of the voiceband (approximately 500 to 2500 Hz), where talker echo is most annoying.

Tariff Page revised 6/5/2006 to reflect company name change from Sprint to Embarq.



ACCESS SERVICE TARIFF

Embarq Florida, Inc.  
By: F. B. Poag, Director

Second Revised Page 66  
Cancels First Revised Page 66

Effective: July 1, 1997

E2. GENERAL REGULATIONS

E2.6 Definitions (Cont'd)

EFFECTIVE 2-WIRE

The term "Effective 2-Wire" denotes a condition which permits the simultaneous transmission in both directions over a channel, but it is not possible to insure independent information transmission in both directions. Effective 2-wire channels may be terminated with 2-wire or 4-wire interfaces.

EFFECTIVE 4-WIRE

The term "Effective 4-Wire" denotes a condition which permits the simultaneous independent transmission of information in both directions over a channel. The method of implementing effective 4-wire transmission is at the discretion of the Company (physical, time domain, frequency-domain separation or echo cancellation techniques). Effective 4-wire channels may be terminated with a 2-wire interface at the customer premises. However, when terminated 2-wire, simultaneous independent transmission cannot be supported, because the 2-wire interface combines the transmission paths into a single point.

END OFFICE CALL TERMINATION

The term AEnd Office Call Termination@ denotes the switching of local telecommunications traffic at the terminating Carrier's or Company's end office switch, or equivalent facility, and delivery of such traffic to the called party's premises.

END OFFICE SWITCH

The term "End Office Switch" denotes a local Company switching system where Exchange Service customer station loops are terminated for purposes of interconnection to trunks. Included are Remote Switching Modules and Remote Switching Systems served by a host office in a different wire center.

Tariff Page revised 6/5/2006 to reflect company name change from Sprint to Embarq.

ACCESS SERVICE TARIFF

Embarq Florida, Inc.  
By: F. B. Poag, Director

First Revised Page 67  
Cancels Original Page 67

Effective: January 1, 1997

E2. GENERAL REGULATIONS

E2.6 Definitions (Cont'd)

END USER

The term "End User" denotes any individual, partnership, association, corporation, governmental agency or any other entity which (A) obtains a common line, uses a pay or obtains intrastate service arrangements in the operating territory of the Company or (B) subscribes to intrastate service(s) provided by an IC or uses the services of the IC when the IC provides intrastate service(s) for its own use or (C) subscribes to intrastate Feature Group B Switched Access Service, absent an IC, for its own use.

ENTRY SWITCH

See Second Point of Switching.

ENVELOPE DELAY DISTORTION

The term AEnvelope Delay Distortion@ denotes a measure of the linearity of the phase versus frequency of a channel.

EQUAL ACCESS EXCHANGE AREAS (EAEA)

The term "Equal Access Exchange Areas" (EAEA) denotes geographic areas, configured based on 1987planned toll center/access tandem areas, in which local exchange companies are responsible for providing equal access to both interexchange carriers and the customers of interexchange carriers in the most economically efficient manner.

EQUAL LEVEL ECHO PATH LOSS (ELEPL)

The term "Equal Level Echo Path Loss" (ELEPL) denotes the measure of Echo Path Loss (EPL) at a 4-wire interface which is corrected by the difference between the send and receive Transmission Level Path (TLP),. (ELEPL ' EPL - TLP (send) + TLP (receive)).

Tariff Page revised 6/5/2006 to reflect company name change from Sprint to Embarq.

ACCESS SERVICE TARIFF

Embarq Florida, Inc.  
By: F. B. Poag, Director

First Revised Page 68  
Cancels Original Page 68

Effective: January 1, 1997

E2. GENERAL REGULATIONS

E2.6 Definitions (Cont'd)

ESTIMATED COST - Definition of term can be found in E14 Special Construction.

EXCESS CAPACITY - Definition of term can be found in E14 Special Construction.

EXCHANGE

The term "Exchange" denotes a unit established by the Company for the administration of communications service in a specified area which usually embraces a city, town or village and its environs. It consists of one or more central offices together with the associated facilities used in furnishing communications service within that area.

EXCHANGE ACCESS SIGNALING

The term "Exchange Access Signaling" denotes the signaling system which is used, by equal access end offices, to transmit originating information and address digits to the customer's premises and which includes the means of verifying the receipt of these address digits. Features of this system include overlap outpulsing, identification of the type of call, identification of the ten-digit number of the calling party, and acknowledgment wink supervisory signals.

EXIT MESSAGE

Exit Message denotes an SS7message sent to an end office by the Company tandem switch to mark the carrier connect time when the Company's tandem switch sends an initial message to a customer.

Tariff Page revised 6/5/2006 to reflect company name change from Sprint to Embarq.

ACCESS SERVICE TARIFF

Embarq Florida, Inc.  
By: F. B. Poag, Director

First Revised Page 69  
Cancels Original Page 69

Effective: January 1, 1997

E2. GENERAL REGULATIONS

E2.6 Definitions (Cont'd)

EXPECTED MEASURED LOSS (EML)

The term "Expected Measured Loss" denotes a calculated loss which specifies the end-to-end 1004-Hz loss on a terminated test connection between two readily accessible manual or remote test points. It is the sum of the inserted connection loss and test access loss including any test pads.

EXTENDED SUPERFRAME FORMAT (ESF)

The term AExtended Superframe Format@ specifies a twenty-four-frame repeating pattern for the framing and information bits contained in a DS1/1.544 Mbps bit stream. The required format specifications are contained in TR-NPL-000054.

FACILITIES - Definition of term can be found in E14 Special Construction.

FEATURE GROUP D SIGNALING

The term AFeature Group D Signaling@ denotes the signaling system which is used, by equal access end offices, to transmit originating information and address digits to the IC's premises. Features of this system include overlap outpulsing, identification of the type of call, identification of the ten-digit number of the calling party, and acknowledgment wink supervisory signals.

FIELD IDENTIFIER

The term "Field Identifier" denotes two to four characters that are used on service orders to convey specific instructions. Field Identifiers may or may not have associated data. Selected Field Identifiers are used in Company billing systems to generate nonrecurring charges.

Tariff Page revised 6/5/2006 to reflect company name change from Sprint to Embarq.

Embarq Florida, Inc.  
d/b/a CenturyLink  
By: Gary L. Kepley, Director

Third Revised Page 70  
Cancels Second Revised Page 70

(T)

Effective: July 2, 2013

E2. GENERAL REGULATIONS

E2.6 Definitions (Cont'd)

FIRST COME-FIRST SERVED

The term "Second Come-Second Served" denotes a procedure followed when a shortage of facilities or equipment occurs, such that an Access Service ordered cannot be installed. The orders delayed by the shortage of facilities will be prioritized according to the sequence in which they were received. That is, when facilities or equipment become available, the first order received will be the first order processed.

FIRST POINT OF SWITCHING (FP OF S)

The term "Second Point of Switching" denotes the first Company location at which switching occurs on the terminating path of a call proceeding from the IC terminal location to the terminating end office and, at the same time, the last Company location at which switching occurs on the originating path of a call proceeding from the originating end office to the IC terminal location.

FIVE (5) YEAR FORECAST - Definition of term can be found in E14 Special Construction.

FREQUENCY SHIFT

The term "Frequency Shift" denotes the change in the frequency of a tone as it is transmitted over a channel.

GATEWAYS

Gateways exist between data networks and, in data communications, are typically referred to as a node on a network that connects two otherwise incompatible networks. Gateways on data networks often perform code and protocol conversion processes as well. Gateways also connect compatible networks owned by different entities, such as X.25 networks linked by X.75 gateways.

GEOGRAPHICALLY AGGREGATED RATE (GAR)

**The term "Geographically Aggregated Rate" denotes a situation in which the rates and charges for a service offering, for which there is currently no demand, are developed based upon the aggregated total revenue and demand for more than one study area. Upon receipt of a request for service, the current geographically averaged rates will be redeveloped to include the new study area.**

**Example: Study areas A, B and C have been geographically aggregated. Geographically averaged rates for A and B were developed based on their aggregated total revenue and demand, while Area C, marked "GAR", has no current demand. Should C receive a request for service, the current geographically averaged rates will be redeveloped to include C's revenue and demand. The redeveloped rates and charges will now be applicable to customers in study areas A, B and C.**

(N)  
|  
(N)  
|  
(M)  
|  
(M)

(M) Material omitted from this page now appears on Page 71.

Embarq Florida, Inc.  
d/b/a CenturyLink  
By: Gary L. Kepley, Director

Third Revised Page 71  
Cancels Second Revised Page 71

(T)

Effective: July 2, 2013

E2. GENERAL REGULATIONS

E2.6 Definitions (Cont'd)

GRANDFATHERED

The term "Grandfathered" denotes Terminal Equipment, Multiline Terminating Systems and Protective Circuitry directly connected to the facilities utilized to provide services under the provisions of this Tariff, and which are considered grandfathered under Part 68 of the FCC Rules and Regulations.

(M)

(M)

HIGH BIT-RATE DIGITAL SUBSCRIBER LINE (HDSL)

High bit-rate digital subscriber line (HDSL) is a technology that provides DS1 (1.544 Mbps) transmission capacity utilizing two copper wire pairs in the existing local loop.

HOST OFFICE

The term "Host Office" denotes an electronic switching system which provides call processing capabilities for one or more Remote Switching Modules or Remote Switching Systems.

HUB

The term "Hub" denotes a Company designated location at which services are either joined together (as in a bridging hub) or where services are multiplexed or demultiplexed (as in a Hi-Capacity hub).

IC TERMINAL LOCATION

The term "IC Terminal Location" denotes a location within a LATA (Point of Presence) from which the IC (1) provides and/or administers telecommunications services for its own use or for the use of its customers (End Users) and (2) has the capability of testing the facilities operated or terminated at that location.

IMMEDIATELY AVAILABLE FUNDS

The term "Immediately Available Funds" denotes a corporate or personal check drawn on a bank account and funds which are available for use by the receiving party on the same day on which they are received and include U.S. Federal Reserve bank wire transfers, U.S. Federal Reserve notes (paper cash), U.S. coins, U.S. Postal Money Orders and New York Certificates of Deposit.

(M) This material previously appeared on Page 70.

ACCESS SERVICE TARIFF

Embarq Florida, Inc.  
By: F. B. Poag, Director

Second Revised Page 72  
Cancels First Revised Page 72

Effective: July 1, 1997

E2. GENERAL REGULATIONS

E2.6 Definitions (Cont'd)

IMPEDANCE BALANCE

The term "Impedance Balance" denotes the method of expressing Echo Return Loss and Singing Return Loss at a four-wire interface whereby the gains and/or losses of the four-wire portion of the transmission path, including the hybrid, are not included in the specification.

IMPULSE NOISE

The term "Impulse Noise" denotes any momentary occurrence of the noise on a channel over a specified level threshold. It is evaluated by counting the number of occurrences, which exceed the threshold.

INCUMBENT LOCAL EXCHANGE CARRIER (ILEC)

The term AIncumbent Local Exchange Carrier or ILEC@ denotes Embarq Florida, Inc.

INDIVIDUAL CASE BASIS (ICB)

The term "Individual Case Basis" denotes a condition in which the regulations, if applicable, rates and charges for an offering under the provisions of this Tariff are developed based on the circumstances in each case.

INITIAL ADDRESS MESSAGE

Initial address message denotes an SS7message sent in the forward direction to initiate trunk set up by seizing an outgoing trunk for sending trunk and call routing and handling information to the next switch.

INITIAL LIABILITY PERIOD (ILP) - Definition of term can be found in E14 - Special Construction.

INSERTED CONNECTION LOSS

The term "Inserted Connection Loss" denotes the 1004 Hz power difference (in dBs) between the maximum power available at the originating end and the actual power reaching the terminating end through the inserted connection.

Tariff Page revised 6/5/2006 to reflect company name change from Sprint to Embarq.

ACCESS SERVICE TARIFF

Embarq Florida, Inc.  
By: F. B. Poag, Director

First Revised Page 72.1  
Cancels Original Page 72.1

Effective: July 1, 1997

E2. GENERAL REGULATIONS

E2.6 Definitions (Cont'd)

INTERCONNECTION

The term AInterconnection@ denotes the linking of two telecommunications networks for the exchange of traffic.

INTEGRATED SERVICES DIGITAL NETWORK - BASIC RATE INTERFACE (ISDN-BRI)

The term AIntegrated Services Digital Network - Basic Rate Interface or ISDN-BRI@ denotes a stand alone two-channel, digital only, service arrangement which uses the ISDN architecture to provide the customer with the capabilities of simultaneous access, transmission, and switching of voice, data, and imaging services via channelized transport.

INTEGRATED SERVICES DIGITAL NETWORK - PRIMARY RATE INTERFACE (ISDN-PRI)

The term AIntegrated Services Digital Network - Primary Rate Interface or ISDN-PRI@ denotes a T-1 link, digital only, intraLATA group of offerings supported by the ISDN architecture to provide integrated digital channels for voice, data, and video applications.

Tariff Page revised 6/5/2006 to reflect company name change from Sprint to Embarq.



ACCESS SERVICE TARIFF

Embarq Florida, Inc.  
By: F. B. Poag, Director

First Revised Page 73  
Cancels Original Page 73

Effective: January 1, 1997

E2. GENERAL REGULATIONS

E2.6 Definitions (Cont'd)

INTEREXCHANGE CARRIER(S) (IC)

The term "Interexchange Carrier(s)" denotes any individual, partnership, corporation, association, or governmental agency, or any other entity, which subscribes to the services offered under this Tariff and is authorized by the Florida Public Service Commission by policy statement or certification to provide intrastate telecommunications services for its own use or for the use of its customers.

INTERMODULATION DISTORTION

The term "Intermodulation Distortion" denotes a measure of the nonlinearity of a channel. It is measured using 4 tones, and evaluating the ratios (in dBs) of the transmitted composite 4-tone signal power to the second-order products of the tones (R2), and the third-order products of the tones (R3).

INTRASTATE COMMUNICATIONS

The term "Intrastate Communications" denotes any communications in Florida subject to oversight by the Florida Public Service Commission as provided by the laws of the State.

Tariff Page revised 6/5/2006 to reflect company name change from Sprint to Embarq.

ACCESS SERVICE TARIFF

Embarq Florida, Inc.  
By: F. B. Poag, Director

Second Revised Page 74  
Cancels First Revised Page 74

Effective: July 1, 1997

E2. GENERAL REGULATIONS

E2.6 Definitions (Cont'd)

INWARD OPERATOR SERVICES (IOS)

The term AInward Operator Services@ (IOS) denotes a Company Operator provision of exchange access functions associated with Intrastate Operator Services calls made by an IC's operator.

INWARD OPERATOR SERVICES LOCATION

The term AInward Operator Services Location@ denotes a Company office where Company equipment first receives an Inward Operator Services call from an IC's premises and selects the first available operator position to respond.

LINE INFORMATION DATA BASE

Line Information Data Base (LIDB) is a data base containing billing validation data to support Alternate Billing Services.

LINE SIDE CONNECTION

The term "Line Side Connection" denotes a connection of a transmission path to the line side of a local exchange switching system.

LOCAL ACCESS AND TRANSPORT AREA (LATA)

The term "Local Access and Transport Area" denotes a geographic area established for the provision and administration of communications service. It encompasses one or more designated exchanges, which are grouped to serve common social, economic and other purposes. In Florida, Geographical Market Area (GMA) and LATA are interchangeable terms.

LOCAL CALLING AREA

The term ALocal Calling Area@ denotes a geographical area, as defined in the Company's General Subscriber Service Tariff, in which an End User (Exchange Service Subscriber) may complete a call without incurring MTS charges.

Tariff Page revised 6/5/2006 to reflect company name change from Sprint to Embarq.

ACCESS SERVICE TARIFF

Embarq Florida, Inc. d/b/a CenturyLink  
By: Gary L. Kepley, Director

Fifth Revised Page 75 (T)  
Cancels Fourth Revised Page 75 (T)

Effective: January 15, 2017

E2. GENERAL REGULATIONS

E2.6 Definitions (Cont'd)

LOCAL EXCHANGE CARRIER (LEC)

The term "Local Exchange Carrier" denotes a company that is authorized by the Florida Public Service Commission to provide telecommunications service.

LOCAL SERVICE PROVIDER (LSP)

A Local Service Provider (LSP) is any telecommunications company providing local telecommunications service.

LOCAL TELECOMMUNICATIONS TRAFFIC

The term "Local Telecommunications Traffic" denotes traffic which originates and terminates between a Company and a Carrier within a given local calling area, including mandatory, non-optional, extended area service (EAS) routes as defined in the Company's **Local Terms of Service**, Section A3.

(T)  
(T)

LOOP AROUND TEST LINE

The term "Loop Around Test Line" denotes an arrangement utilizing a Company central end office to provide a means to make certain two-way transmission tests on a manual basis. This arrangement has two central office terminations; each reached by means of separate numbers and does not require any specific IC terminal equipment. Equipment subject to this test arrangement is at the discretion of the IC.

LOSS DEVIATION

The term "Loss Deviation" denotes the variation of the actual loss from the designed value.

ACCESS SERVICE TARIFF

Embarq Florida, Inc.  
By: F. B. Poag, Director

Second Revised Page 76  
Cancels First Revised Page 76

Effective: July 1, 1997

E2. GENERAL REGULATIONS

E2.6 Definitions (Cont'd)

MARKET AREA

See Local Access and Transport Area

MAJOR FRACTION THEREOF

The term AMajor Fraction Thereof@ is any period of time in excess of one-half of the stated amount of time. As an example, in considering a period of 24 hours, a major fraction thereof would be any period of time in excess of 12 hours exactly. Therefore, if a given service is interrupted for a period of thirty-six hours and fifteen minutes, the IC or End User would be given a credit allowance for two twenty-four hour periods for a total of forty-eight hours.

MARITIME RADIO COMMON CARRIERS (MRCCs)

The term AMaritime Radio Common Carriers@ (MRCCs) denotes carriers which are regulated under Part 81 on the Federal Communications Commission's Rules and Regulations.

MAXIMUM TERMINATION LIABILITY (MTL) - Definition of term can be found in E14 - Special Construction.

MAXIMUM TERMINATION LIABILITY PERIOD - Definition of term can be found in E14 - Special Construction.

MEET POINT

The term AMeet Point@ denotes a point of interconnection between the two telecommunications networks of the Company and a Carrier at which point one's responsibility for service begins and the other's ends.

MESSAGE

The term "Message" denotes a "call" as defined preceding.

MILLIWATT (102 TYPE) TEST LINE

The term "Milliwatt (102 Type) Test Line" denotes an arrangement in an end office which provides a 1004 Hz tone at 0 dBm0 for one-way transmission measurements towards the IC terminal location from the Company end office.

Tariff Page revised 6/5/2006 to reflect company name change from Sprint to Embarq.

ACCESS SERVICE TARIFF

Embarq Florida, Inc. **d/b/a CenturyLink**  
By: Chantel Bosworth, Director

3rd Revised Page 77  
Cancels 2nd Revised Page 77

(T)

Effective: July 1, 2021

E2. GENERAL REGULATIONS

E2.6 Definitions (Cont'd)

MINUTES OF USE

See Access Minutes

NET SALVAGE - Definition of term can be found in E14 - Special Construction.

NETWORK CHANNEL INTERFACE (NCI) CODE UPDATE

The term "Network Channel Interface (NCI) Code Update" denotes the manual or mechanical activity performed to update the NCI code on each sub-DS1 level circuit riding a DS1 High Capacity service that is converted (rolled over) to a DS3 High Capacity service.

NETWORK CONTROL SIGNALING

The term "Network Control Signaling" denotes the transmission of signals used in the telecommunications system which perform functions such as supervision (control, status, and charge signals), address signals (e.g., dialing), calling and called number identifications, rate of flow, service selection error control and audible tone signals (call progress signals indicating re-order or busy conditions, and alerting tones) to control the operation of the telecommunications system.

NETWORK INTERFACE

The term "Network Interface" denotes the point of demarcation on the End User's premises at which the Company's responsibility for the provision of Access Services end.

**Non-Toll Free**

**All calls that are not toll free (8YY) as established by the FCC's 8YY Access Charge Reform Order (FCC 20-143) released on October 9, 2020.**

(N)  
|  
(N)

NONRECOVERABLE COST

Definition of term can be found in E14 - Special Construction.

ACCESS SERVICE TARIFF

Embarq Florida, Inc.  
By: F. B. Poag, Director

First Revised Page 78  
Cancels Original Page 78

Effective: January 1, 1997

E2. GENERAL REGULATIONS

E2.6 Definitions (Cont'd)

NONSYNCHRONOUS TEST LINE

The term "Nonsynchronous Test Line" denotes an arrangement in step-by-step end offices which provides operational tests which are not as complete as those provided by the synchronous test lines, but which can be made more rapidly.

NORTH AMERICAN NUMBERING PLAN (NANP)

The term "North American Numbering Plan" denotes a 3-digit area or Numbering Plan Area (NPA) code and a 7-digit number made up of a 3-digit Central Office (CO) code plus a 4-digit station number.

OFF-HOOK

The term "Off-hook" denotes the active condition of Switched Access or a Exchange Service line.

ON-HOOK

The term "On-hook" denotes the idle condition of Switched Access or a Exchange Service line.

OPEN CIRCUIT TEST LINE

The term "Open Circuit Test Line" denotes an arrangement in an end office which provides an AC open circuit termination of a trunk or line by means of an inductor of several Henries.

OPERATOR SERVICE SYSTEM (OSS)

Operator Service System (OSS) denotes an SS7message sent in the forward direction to initiate trunk set up by seizing an outgoing trunk for sending trunk and call routing and handling information to the next switch.

Tariff Page revised 6/5/2006 to reflect company name change from Sprint to Embarq.

## ACCESS SERVICE TARIFF

Embarq Florida, Inc.  
By: F. B. Poag, Director

Third Revised Page 79  
Cancels Second Revised Page 79

Effective: June 7, 2003

### E2. GENERAL REGULATIONS

#### E2.6 Definitions (Cont'd)

##### OPERATOR SERVICES SYSTEM LOCATION

The term "Operator Services System Location" (OSS location) denotes a Company office where Company equipment routes or receives IC Operator Services calls to or from the IC location.

##### OPERATOR SERVICES SYSTEM SERVING AREA

The term "Operator Services System Serving Area" (OSS serving area) denotes the geographic operational domain of an Operator Services System.

##### OPTICAL CARRIER LEVEL (n) (OCcn)

The term "Optical Carrier Level (n)" denotes the physical line connection (aka facility) between two locations that uses optical signaling equipment for transmitting information over fiber optics. A level of bit rate speed transmission is indicated by "n". OC1 optical transmissions are at 51.84 Mbps; OC3 at 155.52 Mbps; OC12 at 622.08 Mbps; and OC48 at 2488.32 Mbps; and OC192 at 9953.28 Mbps.

##### OPTICAL CARRIER LEVEL n CONCATENATED (OCnc)

The term "Optical Carrier Level n Concatenated" denotes the physical line or clear channel connection (aka facility) between two locations that is capable, using optical signaling equipment, of replacing multiple payload groupings into one larger payload grouping, resulting in a single communications channel.

##### OPTICAL CARRIER RATE (OC#)

The term "Optical Carrier Rate" denotes a SONET transmission signal/speed, line rate or service. The rate is in multiples of an OC1, which is equivalent to a Synchronous Transport Signal (STS1), 51.84 Mbps, SONET's basic rate. OC# rate bandwidth capacity is 155.52 Mbps for OC3, 622.08 Mbps for OC12, and 2488.32 Mbps for OC48; and 9953.28 Mbps for OC192.

##### OPTICAL CARRIER RATE CONCATENATED (OC#c)

The term "Optical Carrier Rate Concatenated" denotes a clear channel SONET transmission using only or increasing the total payload capacity to 2340 bytes per SPE.

Tariff Page revised 6/5/2006 to reflect company name change from Sprint to Embarq.

## ACCESS SERVICE TARIFF

Embarq Florida, Inc.  
By: F. B. Poag, Director

Third Revised Page 80  
Cancels Second Revised Page 80

Effective: January 19, 2001

### E2. GENERAL REGULATIONS

#### E2.6 Definitions (Cont'd)

##### ORIGINATING DIRECTION

The term "Originating Direction" denotes the use of access service for the origination of calls from and End User to an IC terminal location.

##### ORIGINATING POINT CODE

Originating Point Code is assigned to identify each Operator Service System (OSS) location.

OTHER COMPANY - Definition of term can be found in E14 - Special Construction.

##### OVERLAP OUTPULSING

The term "Overlap Outpulsing" denotes the feature of the exchange access signaling system which permits initiation of pulsing to the customer's premises before the calling subscriber has completed dialing an originating call.

##### PAY TELEPHONE

The term "Pay Telephone" denotes Company provided instruments and related facilities that are available to the general public for public convenience and necessity, including public and semipublic telephones, and coinless telephones.

PERMANENT FACILITIES - Definition of term can be found in E14- Special Construction.

##### PHASE JITTER

The term "Phase Jitter" denotes the unwanted phase variations of a transmitted signal.

##### POINT OF INTERCONNECTION

The term "Point of Interconnection" denotes the electrical or optical cross-connect that physically links the two networks of the Company and the Carrier and the point at which the responsibility for service transfers from one party to the other.

##### POINT OF INTERFACE

The term "Point of Interface" denotes a demarcation point, at the IC terminal location, between Company provided and IC provided services.

##### POINT OF PRESENCE

See IC Terminal Location

##### POINT OF TERMINATION

The term "Point of Termination" denotes the point of demarcation, within an IC-designated premises at which the Company's responsibility for the provision of Access Service ends.

Tariff Page revised 6/5/2006 to reflect company name change from Sprint to Embarq.



ACCESS SERVICE TARIFF

Embarq Florida, Inc. d/b/a CenturyLink  
By: Gary L. Kepley, Director

Third Revised Page 81 (T)  
Cancels Second Revised Page 81 (T)

Effective: January 15, 2017

E2. GENERAL REGULATIONS

E2.6 Definitions (Cont'd)

PREMISES

The term "Premises" denotes the building or portions of a building occupied by a single IC or End User either as a place of business or residence. Adjacent buildings and the buildings on the same continuous property occupied by the IC or End User, not separated by a public thoroughfare, are also considered the IC's or End User's premises.

QUERY

A query is a request for specific information generated by a computer processor and sent to a data base, with a predefined set of responses expected.

RADIO COMMON CARRIERS (RCCs)

The term "Radio Common Carriers" (RCCs) denotes carriers which are regulated under Part 22 of the Federal Communications Commission's Rules and Regulations.

(D)  
|  
(D)

RECOVERABLE COST - Definition of term can be found in E14 - Special Construction.

REGISTERED EQUIPMENT

The term "Registered Equipment" denotes the IC's or the IC's customer's premises equipment (CPE) which complies with and has been approved within the Registration Provisions of Part 68 of the FCC Rules and Regulations.

RELEASE MESSAGE

A Release Message denotes an SS7 message sent in either direction to indicate that a specific circuit is being released.

ACCESS SERVICE TARIFF

Embarq Florida, Inc.  
By: F. B. Poag, Director

First Revised Page 82  
Cancels Original Page 82

Effective: January 1, 1997

E2. GENERAL REGULATIONS

E2.6 Definitions (Cont'd)

REMOTE MODULES AND/OR REMOTE SYSTEMS

The term Remote Modules and/or Remote Systems denotes small, end offices which obtain their call processing capability from a Host Office. The Remote Modules and/or Remote Systems cannot accommodate direct trunks to an IC.

REMOTE SWITCHING MODULES (RSM) AND/OR REMOTE SWITCHING SYSTEMS (RSS)

The term "Remote Switching Modules and/or Remote Switching Systems" denotes small, remotely controlled electronic end office switches which obtain their call processing capability from an ESS type Host Office. The RSM/RSS cannot accommodate direct trunks to an IC.

RESPONSE

A Response is one response from a set of predefined expected responses to a request for information contained in a query from a computer processor.

RESPONSIBLE ORGANIZATION

The term "Responsible Organization" denotes that entity which is responsible for the management and administration of a Toll Free Code (TFC) service record in the TFC Service Management System.

RETURN LOSS

The term "Return Loss" denotes a measure of the similarity between the two impedances at the junction of two transmission channels (e.g., four to two-wire junctions). The higher the return loss, the higher the similarity.

Tariff Page revised 6/5/2006 to reflect company name change from Sprint to Embarq.

ACCESS SERVICE TARIFF

Embarq Florida, Inc.  
By: F. B. Poag, Director

First Revised Page 83  
Cancels Original Page 83

Effective: January 1, 1997

E2. GENERAL REGULATIONS

E2.6 Definitions (Cont'd)

SECONDARY CHANNEL

The term AThirdary Channel@ denotes the offering of a companion digital transmission capability over the same physical facility as the primary channel at a lower bit rate. Terminal equipment required to support secondary channel capability must be provided by the customer.

SERVICE CONTROL POINT (SCP)

A Service Control Point (SCP) is a transaction processor based system that provides a network interface to various data base services.

SERVICE PROVIDED UPON REQUEST

The term AService Provided Upon Request@ (SPUR) denotes a service that has not been requested by an IC in a particular state. When a request for this service is received, a new aggregate rate will be calculated and filed in this Tariff. The new rate will include the additional demand and costs for the service.

SERVICE SWITCHING POINT (SSP)

A Service Switching Point (SSP) is an end office or tandem switch equipped with the signaling link hardware and software that can perform the Signal Point functions. In addition, SSPs can identify the need for application software in processing a Common Channel Signaling/Signaling System 7call and request and respond to call processing instructions issued by a Service Control Point.

SERVING WIRE CENTER

The term AServing Wire Center@ denotes the wire center from which the IC designated premises would normally obtain dial tone from the Company.

Tariff Page revised 6/5/2006 to reflect company name change from Sprint to Embarq.

ACCESS SERVICE TARIFF

Embarq Florida, Inc.  
By: F. B. Poag, Director

Second Revised Page 84  
Cancels First Revised Page 84

Effective: July 1, 1997

E2. GENERAL REGULATIONS

E2.6 Definitions (Cont'd)

SEVEN DIGIT MANUAL TEST LINE

The term ASeven Digit Manual Test Line@ denotes an arrangement which allows the IC to select balance, milliwatt and synchronous test lines, by manually dialing a seven digit number over the associated access connection.

SHORT CIRCUIT TEST LINE

The term AShort Circuit Test Line@ denotes an arrangement in an end office which provides an AC short circuit termination of the trunk or line by means of a capacitor of at least 4 microfarads.

SHORTAGE OF FACILITIES OR EQUIPMENT

The term "Shortage of Facilities or Equipment" denotes a condition which occurs when the Company does not have appropriate cable, switching capacity, bridging or multiplexing equipment, etc., necessary to provide the Access Service requested by the IC.

SIGNAL-TO-C-NOTCHED NOISE RATIO

The term ASignal-to-C-Notched Noise Ratio@ denotes the ratio in dB of a test signal to the corresponding C-Notched Noise.

SIGNAL TRANSFER POINT (STP)

The term ASignal Transfer Point@ (STP) denotes a packet switch which provides Common Channel Signaling (CCS)/Signaling System 7 (SS7) network access and performs CCS/SS7 message routing and screening. Additional information may be found in E6.1.3.B.9 and E.6.3.1.Z following.

SIGNAL-TO-C-NOTCHED NOISE RATIO

The term "Signal-to-C-Notched Noise Ratio" denotes the ratio in dB of a test signal to the corresponding C-Notched Noise.

Tariff Page revised 6/5/2006 to reflect company name change from Sprint to Embarq.

## ACCESS SERVICE TARIFF

Embarq Florida, Inc.  
By: F. B. Poag, Director

Second Revised Page 85  
Cancels First Revised Page 85

Effective: January 19, 2001

### E2. GENERAL REGULATIONS

#### E2.6 Definitions (Cont'd)

##### SINGING RETURN LOSS (SRL)

The term "Singing Return Loss" denotes the frequency weighted measure of return loss at the edges of the voiceband (200 to 500 Hz and 2500 to 3200 Hz), where singing (instability) problems are most likely to occur.

SPECIAL CONSTRUCTION - Definition of term can be found in E14 - Special Construction.

##### SPECIAL ORDER

The term "Special Order" denotes an order for Directory Assistance Service.

SUBSCRIBERS IN GENERAL - Definition of term can be found in E14 - Special Construction.

##### SUBTENDING END OFFICE OF AN ACCESS TANDEM

The term "Subtending End Office of an Access Tandem" denotes an end office that has final trunk group routing through that tandem.

##### SUPERFRAME FORMAT (SF)

The term "Superframe Format" specifies a twelve-frame repeating pattern for the framing and information bits contained in a DS1/1.544 Mbps bit stream. The required format specifications are contained in TR-NPL-000054.

##### SYNCHRONOUS OPTICAL NETWORK (SONET)

The term "Synchronous Optical Network" denotes a North American standard for synchronous optical networks providing transmission rates from 51.84 Mbps. SONET uses a 51.84 Mbps STS-1 signal as the basic building block. Higher rate signals are available in direct multiples of STS-1.

##### SYNCHRONOUS TEST LINE

The term "Synchronous Test Line" denotes an arrangement in an end office which performs marginal operational tests of supervisory and ring-tripping functions

##### SYNCHRONOUS TRANSPORT SIGNAL - LEVEL (STS1)

The term "Synchronous Transport Signal Level" denotes a 51.84 Mbps signal that is the electrical equivalent of the SONET optical based signal OC1. An STS1 can carry a DS3 or 28 DS1s when specifically formatted. However, individual DS1s within a DS3 are not accessible within SONET and their performance cannot be guaranteed for this reason. These DS1s may be accessed using the Special Access DS3 to DS1 multiplexing optional service.

Tariff Page revised 6/5/2006 to reflect company name change from Sprint to Embarq.

ACCESS SERVICE TARIFF

Embarq Florida, Inc.  
By: F. B. Poag, Director

First Revised Page 86  
Cancels Original Page 86

Effective: January 1, 1997

E2. GENERAL REGULATIONS

E2.6 Definitions (Cont'd)

TELECOMMUNICATIONS SERVICE PRIORITY (TSP) SYSTEM

A service developed to satisfy the requirements of the National Communications System (NCS) of the Federal Government which provides the regulatory, administrative and operational procedures authorizing the priority installation and/or priority restoration of National Security Emergency Preparedness (NSEP) telecommunications services.

COMPANY ANSWERING SERVICE CONCENTRATOR

The term ACompany Answering Service Concentrator@ denotes a device located in a central office of the Company which concentrates incoming calls to some number of Answering Service's clients lines to some smaller number of trunks/channels connected to the IC's or End User's premises equipment.

TEMPORARY FACILITIES - Definition of term can be found in E14 - Special Construction.

TERMINATING DIRECTION

The term "Terminating Direction" denotes the use of Access Service for the completion of calls from an IC terminal location to an End User's premises.

TERMINATION CHARGE - Definition of term can be found in E14 - Special Construction.

Tariff Page revised 6/5/2006 to reflect company name change from Sprint to Embarq.

ACCESS SERVICE TARIFF

Embarq Florida, Inc.  
By: F. B. Poag, Director

First Revised Page 87  
Cancels Original Page 87

Effective: January 1, 1997

E2. GENERAL REGULATIONS

E2.6 Definitions (Cont'd)

TERMINATION LIABILITY CHARGE

The term ATermination Liability Charge@ when used in connection with specially constructed facilities denotes the portion of the Maximum Termination Liability that is applied as a nonrecurring charge when all services are discontinued prior to the expiration of the specified liability period. The term ATermination Liability@ as used in connection with the application of termination charges for access services denotes the discontinuance, either at the request of the customer or by the Company under its regulations concerning cancellation for cause, of service or facilities (including channels and station equipment) provided by the Company.

TOLL FREE CODE (TFC)

The term AToll Free Code@ denotes a three-digit Numbering Plan Area (NPA) or Area Code that is specifically assigned by the telecommunications industry for use by Telecommunications Service Providers in the provision of numbers that, unlike traditional numbers and calls, when dialed are toll free to the originating caller. The specific codes assigned and used, or reserved for use, for this purpose are 800, 822, 833, 844, 855, 866, 877and 888.

TOLL FREE CODE (TFC) SERVICE MANAGEMENT SYSTEM

The term ATFC Service Management System@ (TFC SMS) denotes the main operations support system used to create and update TFC service records in the national TFC data base.

Tariff Page revised 6/5/2006 to reflect company name change from Sprint to Embarq.

ACCESS SERVICE TARIFF

Embarq Florida, Inc.  
By: **Gary L. Kepley, Director**

3rd Revised Page 88  
Cancels 2nd Revised Page 88

(T)

Effective: **December 29, 2011**

E2. GENERAL REGULATIONS

E2.6 Definitions (Cont'd)

TOLL FREE CODE (TFC) SERVICE PROVIDER

The term "TFC Service Provider" denotes a telecommunications company, including local exchange carriers and interexchange carriers, or a reseller of exchange or interexchange services that offers TFC service to end users.

**Toll VoIP-PSTN Traffic**

**The term "Toll VoIP-PSTN Traffic" denotes a customer's interexchange voice traffic exchanged with the Telephone Company in Time Division Multiplexing format over PSTN facilities, which originates and/or terminates in Internet Protocol (IP) format. "Toll VoIP-PSTN Traffic" originates and/or terminates in IP format when it originates from and/or terminates to an end user customer of a service that requires IP-compatible customer premises equipment.**

(N)

(N)

TRANSMISSION MEASURING (105 TYPE) TEST LINE/RESPONDER

The term "Transmission Measuring (105 Type) Test Line/Responder" denotes an arrangement in an end office which provides far-end access to a responder and permits two-way loss and noise measurements to be made on trunks from a near end office.

TRANSMISSION PATH

The term "Transmission Path" denotes an electrical path capable of transmitting signals within the range of the service offering, e.g., a voice grade transmission path is capable of transmitting voice frequencies within the approximate range of 300 to 3000 Hz. A transmission path is comprised of physical or derived facilities consisting of any form or configuration of plant typically used in the telecommunications industry.

TRANSPORT

The term "Transport" denotes the transmission of local telecommunications traffic from the point of interconnection between the Company and a Carrier to a terminating Carrier's end office switch, or equivalent facility, that directly serves the called party. The originating and terminating Carriers may be two separate entities. Transport may be between end offices or between a local tandem and an end office.

TRUNK

The term "Trunk" denotes a communications path connecting two switching systems in a network, used in the establishment of an end-to-end connection.

(D)



ACCESS SERVICE TARIFF

Embarq Florida, Inc.  
By: F. B. Poag, Director

First Revised Page 89  
Cancels Original Page 89

Effective: January 1, 1997

E2. GENERAL REGULATIONS

E2.6 Definitions (Cont'd)

TRUNK GROUP

The term "Trunk Group" denotes a set of trunks which are traffic engineered as a unit for the establishment of connections between switching systems in which all of the communications paths are interchangeable.

TRUNK SIDE CONNECTION

The term "Trunk Side Connection" denotes the connection of a transmission path to the trunk side of a local exchange switching system.

TWO-WIRE TO FOUR-WIRE CONVERSION

The term "Two-Wire to Four-Wire Conversion" denotes an arrangement which converts a four-wire transmission path to a two-wire transmission path to allow a four-wire facility to terminate in a two-wire entity such as a central office switch trunk circuit or switching system.

UNIFORM SERVICE ORDER CODE

The term "Uniform Service Order Code" denotes a three or five character alphabetic, numeric, or an alphanumeric code that identifies a specific item of service or equipment. Uniform Service Order Codes are used in the Company billing system to generate recurring rates and nonrecurring charges.

UNDERUTILIZATION LIABILITY - Definition of term can be found in E14 - Special Construction.

Tariff Page revised 6/5/2006 to reflect company name change from Sprint to Embarq.

ACCESS SERVICE TARIFF

Embarq Florida, Inc.  
By: F. B. Poag, Director

First Revised Page 90  
Cancels Original Page 90

Effective: January 1, 1997

E2. GENERAL REGULATIONS

E2.6 Definitions (Cont'd)

V AND H COORDINATES METHOD

The term "V and H Coordinates Method" denotes a method of computing airline miles between two points by utilizing an established formula which is based on the Vertical (V) and Horizontal (H) coordinates of the two points.

WATS SERVING OFFICE

The term AWATS Serving Office) denotes a Company designated serving wire center where switching, screening and/or recording functions are performed in connection with the closed-end of WATS or WATS-type services.

WIRE CENTER

The term "Wire Center" denotes a building in which one or more central offices, used for the provision of Exchange Services, are located. The facility houses Company equipment necessary for the provision of switched and non-switched service to customers in a defined geographical area. The facility is identified with V&H coordinates and is assigned one or more NXX's for use in providing switched services to customers located in the specified geographical area. The Company equipment located at a Wire Center may consist of switching equipment or non-switched equipment working with a distant host switch as well as equipment used to terminate dedicated non-switched services. Wire Centers capable of terminating access facilities are designated by the Company.

Tariff Page revised 6/5/2006 to reflect company name change from Sprint to Embarq.

ACCESS SERVICE TARIFF

Embarq Florida, Inc.  
By: F. B. Poag, Director

Second Revised Page 91  
Cancels First Revised Page 91

Effective: April 22, 1997

E2. GENERAL REGULATIONS

E2.7 Special Promotions

E2.7.1 Regulations

- A. The Company may offer approved special promotions of new or existing services or products for limited periods as approved by the Public Service Commission. These promotions are a temporary waiver of certain recurring and/or nonrecurring charges as stated in paragraph E2.7.2. These promotions will be offered on a completely nondiscriminatory basis with each subscriber in the classification of service and area for which the promotion is offered having an equal opportunity for participation.

E2.7.2. Descriptions

The following promotions are approved by the Commission:

<u>Area of Promotion</u>	<u>Service</u>	<u>Charges Waived</u>	<u>Period</u>
All Exchanges	Special Access		4/21/97 through 7/18/97
	Digital Data	Nonrecurring installation of service, term plans	
	High Capacity (DS1)	Nonrecurring installation of service, term plans, zones 1 and 2	

Tariff Page revised 6/5/2006 to reflect company name change from Sprint to Embarq.

ACCESS SERVICE TARIFF

Embarq Florida, Inc. **d/b/a CenturyLink**  
By: Chantel Bosworth, Director

3rd Revised Page 1  
Cancels 1st Revised Page 1

(T)

Effective: July 1, 2021

E3. CARRIER COMMON LINE ACCESS

CONTENTS

	<u>Page</u>	
E3.1	General Description	1
E3.2	Limitations	1
E3.3	Undertaking of the Company	2
E3.4	Obligations of the Customer	4
E3.5	Payment Arrangements	7
E3.6	<b>Reserved</b>	(T)
E3.7	Rate Regulations	12
E3.8	Rates and Charges	17

## ACCESS SERVICE TARIFF

Embarq Florida, Inc.  
By: F. B. Poag, Director

Second Revised Page 1  
Cancels First Revised Page 1

Effective: January 2, 2002

### E3. CARRIER COMMON LINE ACCESS

The Company will provide Carrier Common Line Access Service (Carrier Common Line Access) to ICs or End Users subscribing to Feature Group B Switched Access Service.

#### E3.1 General Description

- A. Carrier Common Line Access provides for the use of Company common lines by Customers for access to end users to furnish Customer intrastate telecommunications service.
- B. Carrier Common Line Access is provided where the Customer obtains Company Switched Access Services under this Tariff.
- C. Premium Access is (1) Switched Access Service provided to Customers under this Tariff which furnish intrastate MTS/WATS, and (2) Switched Access Service in an end office converted to equal access.
- D. Non-Premium Access is Switched Access Service provided in an end office not yet converted to equal access to Customers that do not furnish intrastate MTS/WATS.

#### E3.2 Limitations

- A. A telephone number is not provided with Carrier Common Line Access.
- B. Detail billing is not provided for Carrier Common Line Access.
- C. Directory listings are not included in the rates and charges for Carrier Common Line Access.

Tariff Page revised 6/5/2006 to reflect company name change from Sprint to Embarq.

ACCESS SERVICE TARIFF

Embarq Florida, Inc.  
**d/b/a CenturyLink**  
By: F.B. Poag, Director

Third Revised Page 2  
Cancels Second Revised Page 2

(T)

Effective: July 2, 2013

E3. CARRIER COMMON LINE ACCESS

E3.2 Limitations (Cont'd)

- D. Intercept arrangements are not included in the rates and charges for Carrier Common Line Access.
- E. Reserved for Future Use (C)  
(D)
- F. All line side connections provided in the same combined access group will be limited to the same features and operating characteristics. Such features and characteristics will be limited to those which are available under both this Tariff and the general and/or local exchange tariff applicable to the group involved.
- G. All trunk side connections provided in the same combined access group will be limited to the same features and operating characteristics.
- H. Switched Access Service Access minutes which originate from or terminate to a cellular Type I interconnection arrangement will be excluded from the Carrier Common Line Access minutes.

E3.3 Undertaking of the Company

- A. Where the Customer is provided with Switched Access Service under other sections of this Tariff, the Company will provide the use of Company common lines by a Customer for access to end users at rates and charges as specified in E3.8 following.

ACCESS SERVICE TARIFF

Embarq Florida, Inc. d/b/a CenturyLink  
By: Gary L. Kepley, Director

Third Revised Page 3  
Cancels Second Revised Page 3 (T)

Effective: January 15, 2017

E3. CARRIER COMMON LINE ACCESS

E3.3 Undertaking of the Company (Cont'd)

- B. Where the Customer is solely reselling MTS/WATS or MTS/WATS-type services, the Company, when the Customer orders line side switched access, will not provide Switched Access Service under this Tariff but will provide switched access such as local business exchange service for such resale under the Company's **Local Terms of Service** for the locations involved. Carrier Common Line Access charge will not apply for such access. (T)  
(T)
- C. When access to the local exchange is required to provide an MTS/WATS-type service using a resold Private Line Service, Switched Access and Dedicated Access Rates and Regulations as set forth in E6 and E7 following will apply. Carrier Common Line Access rates and charges as set forth in E3.8 following apply in accordance with the regulations as set forth in E3.7 following. (D)
- D. The Switched Access Service provided by the Company includes the Switched Access Service provided for both interstate and intrastate communications and the Carrier Common Line Access rates and charges as set forth in E3.8 following apply in accordance with the regulations as set forth in E3.7.F following. (T)

ACCESS SERVICE TARIFF

Embarq Florida, Inc.  
By: F. B. Poag, Director

Second Revised Page 4  
Cancels First Revised Page 4

Effective: April 1, 1997

E3. CARRIER COMMON LINE ACCESS

E3.4 Obligations of the Customer

- A. The Switched Access Service associated with Carrier Common Line Access shall be ordered by the Customer under other sections of this Tariff.
- B. The Customer facilities at the customer terminal location of the ordering Customer shall provide the necessary on-hook and off-hook supervision.
- C. Unless the Customer reports interstate use as set forth in D following, Switched Access Service for use in originating DA traffic, trunk side Switched Access Service for use in association with the resale of services as set forth in F following, line side Switched Access Service as set forth in E6.7.3 following or exchange use as set forth in G following, all Switched Access Service provided under this Tariff ordered by a Customer will be subject to Carrier Common Line Access charges.

Tariff Page revised 6/5/2006 to reflect company name change from Sprint to Embarq.



ACCESS SERVICE TARIFF

Embarq Florida, Inc.  
**d/b/a CenturyLink**  
By: F.B. Poag, Director

Third Revised Page 5  
Cancels Second Revised Page 5

(T)

Effective: July 2, 2013

E3. CARRIER COMMON LINE ACCESS

E3.4 Obligations of the Customer (Cont'd)

- D. When the Customer reports interstate and intrastate use of Switched Access Service, the associated Carrier Common Line Access used by the Customer for interstate and intrastate will be determined as set forth in E3.7.F following.
- E. Where Feature Group C end office switching is provided without Company recording and the Customer records minutes of use which will be used to determine Carrier Common Line Access charges (i.e., Feature Group C operator and TSPS/TOPS calls such as operator-DDD, operator-person, collect, credit-card, third number and/or other like calls), the Customer shall furnish such minutes of use detail to the Company billing entity (billing entity) in a timely manner. If the Customer does not furnish the data to the billing entity, the Customer shall identify all Switched Access Services which could carry such calls in order for the billing entity to accumulate the minutes of use through the use of special Company measuring and recording equipment.
- F. **Reserved for Future Use**

(C)  
(D)

(D)

ACCESS SERVICE TARIFF

Embarq Florida, Inc.  
By: F. B. Poag, Director

First Revised Sheet 6  
Cancels Original Page 6

Effective: January 1, 1997

E3. CARRIER COMMON LINE ACCESS

E3.4 Obligations of the Customer (Cont'd)

- G. When the Customer uses a Switched Access Service to furnish a service which is defined by the appropriate Regulatory Commission to be an exchange service, the Customer may apply for credit to its monthly Carrier Common Line Charges in accordance with the regulations as set forth in E3.7.E following by reporting the originating and terminating access minutes that both originate and terminate in the same local calling area. The local calling area is determined as set forth in Company general and/or local exchange service tariffs and is a geographical area associated with an exchange within which calls may be made without MTS charges. The Customer shall report to the billing entity the access minutes for credit on a calendar month basis and the name of the service and the Regulatory Commission which defines the service as an exchange service.
- H. When the Customer notifies the billing entity that Switched Access Service is to be used as set forth in D, F and G preceding and E6.7.3 following, the notification automatically authorizes the billing entity the right to audit the customer terminal locations to verify the use of facilities as the Customer has reported in D, F or G preceding or E6.7.3 following and all of the records, workpapers and backup documentation for each report as set forth in D, F or G preceding or E6.7.3 following and contact and review the records of other entities involved to verify the data the Customer reports is accurate. All of the records, workpapers and backup documentation for each report furnished to the billing entity as set forth in D, F or G preceding or E6.7.3 following shall be available for one year from the date of the report and shall be made available during normal business hours at a Customer location in the involved LATA upon reasonable request by the billing entity in order to permit a review by the billing entity auditor or outside auditor under a contract to the billing entity. If the records, workpapers and backup documentation are not provided or is insufficient or not in accordance with the provision of this paragraph and D, F and G preceding and E6.7.3 following, the adjustments and rates as set forth in E3.7.D, E3.7.E and E3.7.F following shall not apply until the deficiencies are corrected and new reports as set forth in D, F and G preceding and E6.7.3 following are delivered to the billing entity.

Tariff Page revised 6/5/2006 to reflect company name change from Sprint to Embarq.

ACCESS SERVICE TARIFF

Embarq Florida, Inc.  
By: F. B. Poag, Director

Second Revised Page 7  
Cancels First Revised Page 7

Effective: April 1, 1997

E3. CARRIER COMMON LINE ACCESS

E3.5 Payment Arrangements

A. The Company will bill the Carrier Common Line Access. The bill day (i.e., the billing date of the bill) in a month for each Customer account will be established by the Company. Payment is due from the Customer 31 days after the bill day date (payment date) or by the next bill date (i.e., same date in the following month as the bill date), whichever is the shortest interval, and is payable in immediately available funds. If such payment date is a Saturday, Sunday or Holiday (i.e., New Year's Day, Independence Day, Labor Day, Thanksgiving Day, Christmas Day, the second Tuesday in November, and a day when Martin Luther King, Jr., Washington's Birthday, Memorial Day, Columbus Day or Veteran's Day is legally observed), payment will be due from the Customer as follows:

1. If such payment date falls on a Sunday or on a Holiday which is observed on a Monday, the payment date shall be the first non-Holiday day following such Sunday or Holiday. If such payment date falls on a Saturday or on a Holiday which is observed on Tuesday, Wednesday, Thursday or Friday, the payment date shall be the last non-Holiday day preceding such Saturday or Holiday.

Tariff Page revised 6/5/2006 to reflect company name change from Sprint to Embarq.

## ACCESS SERVICE TARIFF

Embarq Florida, Inc. d/b/a CenturyLink  
By: Gary L. Kepley, Director

Second Revised Page 8  
Cancels First Revised Page 8

Effective: April 1, 2017

### E3. CARRIER COMMON LINE ACCESS

#### E3.5 Payment Arrangements (Cont'd)

- B. Further, if any portion of the Carrier Common Line Access payment is received by the Company after the payment date as set forth in A preceding, or if any portion of the Carrier Common Line Access payment is received by the Company in funds which are not immediately available to the Company, then a late payment penalty shall be due to the Company. The late payment penalty shall be the portion of the Carrier Common Line Access payment not received by the payment date times a late factor. The late factor shall be the lesser of:
1. The highest interest rate (in decimal value) which may be levied by law for commercial transactions, compounded daily for the number of days from the payment date to and including the date that the Customer actually makes the payment to the Company, or
  2. **0.000407** per day, compounded daily for the number of days from the payment date to and including the date that the Customer actually makes the payment to the Company. (R)
- C. In the event a billing dispute concerning a month's Carrier Common Line Access billed to the Customer by the Company is resolved in favor of the Company, any payments withheld pending settlement of the dispute shall be subject to the late payment penalty set forth in B preceding. If the Customer disputes the bill on or before the payment date, and pays the undisputed amount on or before the payment date, any late payment charge for the disputed amount will not start until 10 days after the payment date. If the billing dispute is resolved in favor of the Customer, no late payment will apply to the disputed amount. In addition, if the Customer disputes the billed amount and pays the total amount (i.e., the non-disputed amount and the disputed amount) on or before the payment date and the billing dispute is resolved in the favor of the Customer, the Customer will receive a credit for a disputed amount penalty from the billing entity if the billing dispute is not resolved within 10 working days following the payment date or the date the Customer furnishes to the billing entity documentation to support its claim plus 10 working days, whichever date is the later date. The disputed amount penalty shall be the disputed amount resolved in the Customer's favor times a penalty factor.

ACCESS SERVICE TARIFF

Embarq Florida, Inc.  
By: F. B. Poag, Director

Second Revised Page 9  
Cancels First Revised Page 9

Effective: April 1, 1997

E3. CARRIER COMMON LINE ACCESS

Tariff Page revised 6/5/2006 to reflect company name change from Sprint to Embarq.

ACCESS SERVICE TARIFF

Embarq Florida, Inc.  
By: F. B. Poag, Director

Second Revised Page 10  
Cancels First Revised Page 10

Effective: April 1, 1997

E3. CARRIER COMMON LINE ACCESS

Tariff Page revised 6/5/2006 to reflect company name change from Sprint to Embarq.

ACCESS SERVICE TARIFF

Embarq Florida, Inc.  
By: F. B. Poag, Director

Second Revised Page 11  
Cancels First Revised Page 11

Effective: April 1, 1997

E3. CARRIER COMMON LINE ACCESS

Tariff Page revised 6/5/2006 to reflect company name change from Sprint to Embarq.

ACCESS SERVICE TARIFF

Embarq Florida, Inc.  
By: F. B. Poag, Director

Fourth Revised Page 12  
Cancels Third Revised Page 12

Effective: January 2, 2002

E3. CARRIER COMMON LINE ACCESS

E3.7 Rate Regulations

- A. The Carrier Common Line charges will be billed per access minute to each Customer Switched Access Service provided under this Tariff in accordance with the regulations as set forth in B through I following.
- B. The access minutes which are used to determine the Carrier Common Line charges, will be accumulated using call detail recorded by Company equipment except as set forth in C following and Feature Group C operator and TSPS/TOPS call detail such as operator-DDD, operator-person, collect, credit-card, third number and/or other like calls recorded by the Customer. The Company measuring and recording equipment except as set forth in C following will be associated with end office or local tandem switching equipment and will record each originating and terminating access minute where answer supervision is received. The accumulated access minutes will be summed by line group or end office, whichever type of account is used by the Company, for each Customer and then rounded to the nearest minute.
- C. When Carrier Common Line Access is provided in association with Feature Group A and B Switched Access Service in an end office not converted to equal access, in Company end offices that are not equipped for measurement capabilities, an assumed average access minutes will be used to determine the Carrier Common Line charges. The assumed average minutes are as follows:

Tariff Page revised 6/5/2006 to reflect company name change from Sprint to Embarq.



## ACCESS SERVICE TARIFF

Embarq Florida, Inc.  
By: F. B. Poag, Director

Second Revised Page 13  
Cancels First Revised Page 13

Effective: January 2, 2002

### E3. CARRIER COMMON LINE ACCESS

#### E3.7 Rate Regulations (Cont'd)

##### C. (Cont'd)

1. When a Switched Access Service is provided where neither the originating access minutes nor the terminating access minutes are measured, the assumed average access minutes are 9000 minutes for each MTS/WATS-type Feature Group A and B Switched Access Service. When originating only Switched Access Service is provided where the originating access minutes are not measured, the originating assumed average access minutes are 9000 minutes or MTS/WATS-type service, no terminating access minutes will apply. When terminating only Switched Access Service is provided where the terminating access minutes are not measured, the terminating access minutes are 9000 minutes or MTS/WATS-type service, no originating access minutes will apply.
2. When a Switched Access Service arranged for both originating and terminating use is provided where terminating access minutes are measured but the originating access minutes are not measured, the assumed average originating access minutes are 4500 originating minutes for MTS/WATS-type Switched Access Service provided.
3. When a Switched Access Service arranged for both originating and terminating use is provided where originating access minutes are measured but the terminating access minutes are not measured, the assumed average terminating access minutes are 4500 terminating minutes for MTS/WATS-type Switched Access Service provided.

Tariff Page revised 6/5/2006 to reflect company name change from Sprint to Embarq.

ACCESS SERVICE TARIFF

Embarq Florida, Inc.  
**d/b/a CenturyLink**  
By: F.B. Poag, Director

Second Revised Page 14 (T)  
Cancels First Revised Page 14

Effective: July 2, 2013

E3. CARRIER COMMON LINE ACCESS

E3.7 Rate Regulations (Cont'd)

C. (Cont'd)

The assumed average access minutes as set forth in 1, 2 and 3 preceding apply in the operating area of the Company except when the Company specifies a different number of assumed average access minutes as set forth in E6.7.7. following. When the Company appropriate assumed average access minutes as set forth in E6.7.7. following will be used in lieu of the assumed average access minutes as set forth in 1, 2 and 3 preceding in that Company's operating area to determine the Carrier Common Line Charges for the Switched Access Service involved.

D. Reserved for Future Use

(C)  
(D)

(D)

ACCESS SERVICE TARIFF

Embarq Florida, *Inc.*  
*d/b/a CenturyLink*  
By: F.B. Poag, Director

Second Revised Page 15 (T)  
Cancels First Revised Page 15

Effective: July 2, 2013

E3. CARRIER COMMON LINE ACCESS

E3.7 Rate Regulations (Cont'd)

D. ***Reserved for Future Use***

(C)

(D)

(D)

ACCESS SERVICE TARIFF

Embarq Florida, Inc.  
By: F. B. Poag, Director

First Revised Sheet 16  
Cancels Original Page 16

Effective: January 1, 1997

E3. CARRIER COMMON LINE ACCESS

E3.7 Rate Regulations (Cont'd)

- E. When the Customer reports exchange minutes of use, as long as the exchange minutes are not included in the minutes used to develop the reports as set forth in E2.3.11 preceding, as set forth in E3.4.G preceding for in service Switched Access Service in a LATA, the Carrier Common Line Access minutes for the Customer LATA account or End Office account involved, whichever type of account is used by the billing entity, will be adjusted as follows. After the billing entity verifies the exchange minutes reported by the Customer are accurate, the Carrier Common Line Access minutes developed for the Customer account involved will be reduced by the exchange minutes of use reported by the Customer. If the billing entity determines the reported exchange minutes are not accurate, no adjustment will be made until a new report properly stating the exchange minutes is delivered to the billing entity by the Customer. The access minutes, adjusted as set forth in this paragraph or any other section of this Tariff, that are billed to the Customer in a monthly period shall not be less than zero. This adjustment will be made to the involved Customer account prior to making the adjustments to the Customer account as set forth in D preceding and F following.
- F. When the Customer reports interstate and intrastate use of in service Switched Access Service, the Carrier Common Line Access access minutes will be adjusted as follows. The Carrier Common Line access minutes developed by the billing entity will, after adjustment as set forth in E preceding, when necessary, be multiplied by the intrastate percentage reported by the Customer as set forth in E2.3.11. The result will, after adjustment as set forth in D preceding, when necessary, be used to determine the Carrier Common Line Charges as set forth in G and H following.
- G. After the adjustments as set forth in D, E and F preceding have been applied, when necessary, to the Carrier Common Line Access minutes, see E6.7.13 following for appropriate calculation of premium, non-premium or transitional rates.

Tariff Page revised 6/5/2006 to reflect company name change from Sprint to Embarq.

ACCESS SERVICE TARIFF

Embarq Florida, Inc.  
By: F. B. Poag, Director

First Revised Page 16.1  
Cancels Original Page 16.1

Effective: April 28, 2000

E3. CARRIER COMMON LINE ACCESS

E3.7 Rate Regulations (Cont'd)

H. The Terminating Premium Access or Non Premium Access, Per Minute Charge(s) apply to:

- All terminating access minutes of use;
- All originating access minutes of use associated with FGA Access Services where the off-hook supervisory signaling is forwarded by the customer's equipment when the called party answers;
- All originating access minutes of use associated with calls placed to 700, Toll Free Code (TFC) and 900 numbers, less those originating access minutes of use associated with calls placed to 700, TFC and 900 numbers for which the customer furnishes for each month a report of either the number of calls or minutes, or a report of the percent of calls or minutes that terminate in a Switched Access Service that is assessed Carrier Common Line charges.

When the customer makes this report available to the Telephone Company in advance of billing, these minutes of use will be charged on the current bill as originating minutes of use as set forth in (I) following. If a billing dispute arises concerning the customer provided report, the Telephone Company will request that the customer provide the data the customer used to develop the report. The Telephone Company will not request such data more than once a year. The customer shall supply the data within 30 days of the Telephone Company request.

When this report is not available to the Telephone Company until after billing, it shall be used by the Telephone Company to calculate and post a credit or debit to the customer's account for access minutes recorded during the report period. The credit or debit shall be posted to the customer's account within 30 days of receipt of the report. The credit or debit shall be calculated by multiplying the number of access minutes of use, for which a credit or debit is determined to be applicable, times the difference between the terminating and originating Carrier Common Line charges in effect when the calls were completed.

If the customer does not supply the monthly reports, the Telephone Company will assume the common line percentages to be the same as those provided in the last monthly report. No prorating or back billing will be done based on the report. For those cases in which a monthly report has never been received from the customer, the terminating premium access or non premium access per minute charges will apply to all 700, Toll Free Code and 900 calls

Tariff Page revised 6/5/2006 to reflect company name change from Sprint to Embarq.

ACCESS SERVICE TARIFF

Embarq Florida, Inc.  
By: F. B. Poag, Director

First Revised Page 16.2  
Cancels Original Page 16.2

Effective: April 28, 2000

E3. CARRIER COMMON LINE ACCESS

E3.7 Rate Regulations (Cont'd)

I. The Originating Premium Access or Non Premium Access, Per Minute Charge(s) apply to:

- All originating access minutes of use;
- Less those originating access minutes of use associated with FGA Access Services where the off-hook supervisory signaling is forwarded by the customer's equipment when the called party answers;
- Less all originating access minutes of use associated with calls placed to 700, TFC and 900 numbers;
- Plus all originating access minutes of use associated with calls placed to 700, TFC and 900 numbers for which the customer furnishes for each month a report of either the number of calls or minutes, or a report of the percent of calls or minutes that terminate in a Switched Access Service that is assessed Carrier Common Line charges, and for which a corresponding reduction in the number of terminating access minutes of use has been made as set forth in (H) preceding.

Tariff Page revised 6/5/2006 to reflect company name change from Sprint to Embarq.

ACCESS SERVICE TARIFF

Embarq Florida, Inc. d/b/a CenturyLink  
By: Chantel Bosworth, Director

7th Revised Page 17  
Cancels 6th Revised Page 17

Effective: July 1, 2021

E3. CARRIER COMMON LINE ACCESS

E3.8 Rates and Charges

A. The rate for Carrier Common Line Access is:

1. Carrier Common Line

	<u>Rate Per Access Minute</u>	(T)
(a) Originating		
- Toll Free	\$0.000000 (R)	(C)
- Non-Toll Free	\$0.003272	(C)
(b) Terminating	\$0.000000	

ACCESS SERVICE TARIFF

Embarq Florida, Inc  
By: F. B. Poag, Director

First Revised Sheet 1  
Cancels Original Page 1

Effective: January 1, 1997

E4. RESERVED FOR FUTURE USE

CONTENTS

Page

Tariff Page revised 6/5/2006 to reflect company name change from Sprint to Embarq.



ACCESS SERVICE TARIFF

Embarq Florida, Inc  
By: F. B. Poag, Director

First Revised Page 1  
Cancels Original Page 1

Effective: January 1, 1997

E4. RESERVED FOR FUTURE USE

Tariff Page revised 6/5/2006 to reflect company name change from Sprint to Embarq.

## ACCESS SERVICE TARIFF

Embarq Florida, Inc  
BY: F. B. Poag, Director

Second Revised Page 1  
Cancels First Revised Page 1

Effective: August 8, 2000

### E5. ORDERING OPTIONS FOR SWITCHED AND DEDICATED ACCESS SERVICE

#### CONTENTS

	<u>Page</u>
E5.1 General	1
E5.1.1 Scope	1
E5.1.2 Ordering Conditions	2
E5.1.3 Provision of Other Services	3
E5.1.4 Special Construction	4
E5.1.5 Discontinuance of Service	4
E5.2 Access Order	4
E5.2.1 Access Order Service Date Intervals	12
E5.2.2 Access Order Modifications	13
E5.2.3 Cancellation of an Access Order	15
E5.2.4 Minimum Period	21
E5.2.5 Minimum Period Charges	23
E5.2.6 Available Inventory	23
E5.2.7 Switched Access Service to Interconnections	23
E5.3 Switched Access Service Minimum Capacity Requirements	24
E5.3.1 General	24
E5.3.2 Applicability	24
E5.3.3 Additional Orders	24
E5.3.4 High Frequency Analog or Digital Interface Group	24
E5.3.5 Grouping of Interface Groups	24
E5.3.6 Interface Capacities and Minimum Order Requirements	25
E5.3.7 Disconnection of Service	25

Tariff Page revised 6/5/2006 to reflect company name change from Sprint to Embarq.

## ACCESS SERVICE TARIFF

Embarq Florida, Inc  
BY: F. B. Poag, Director

First Revised Page 1  
Cancels Original Page 1

Effective: January 1, 1997

### E5. ORDERING OPTIONS FOR SWITCHED AND DEDICATED ACCESS SERVICE

#### E5.1 General

##### E5.1.1 Scope

- A. This section sets forth the regulations and order related charges for Access Orders for Switched and Dedicated Access Services. These charges are in addition to other applicable charges as set forth in other sections of this Tariff.
- B. An Access Order is an order to provide the customer with Switched Access Service or an End User with Feature Group B Switched Access Service and/or Dedicated Access Service or to provide changes to existing services.
- C. The End User is ultimately responsible for the placing and payment of all Dedicated Access orders and Dedicated Access charges as set forth in E7 and E13 following with the following exception. Payment for Dedicated Access Service nonrecurring charges required as a result of an IC generated activity is the responsibility of the IC. IC generated activity is defined as the relocation of an IC POP.
- D. The End User is responsible for the placement of and payment for Feature Group B Switched Access Service orders and charges as set forth in E3 and E6 of this tariff.

Tariff Page revised 6/5/2006 to reflect company name change from Sprint to Embarq.

Embarq Florida, Inc.  
**d/b/a CenturyLink**  
BY: Gary L. Kepley, Director

Second Revised Page 2  
Cancels First Revised Page 2

(T)

Effective: July 2, 2013

E5. ORDERING OPTIONS FOR SWITCHED AND DEDICATED ACCESS SERVICE

E5.1 General (Cont'd)

E5.1.2 Ordering Conditions

- A. A customer may order any number of services of the same type and between the same locations on a single Access Order. All details for services for a particular order must be identical except for those for multipoint service.
- B. The customer shall provide all information necessary for the Company to provide and bill for the requested service. In addition to the order information required in E5.2 following, the customer must also provide:
  - Customer name and premises address(s).
  - Billing name and address (when different from customer name and address).
  - Customer contact name(s) and telephone number(s) for the following provisioning activities: order negotiation, order confirmation, interactive design, installation and billing.
- C. Orders for Feature Group A Switched Access Service shall be in lines.

Orders for Feature Group B, C, and D Switched Access Service shall be in trunks. In addition, the order must indicate whether the Switched Transport ordered is for Entrance Facilities, Direct-Trunked Transport and/or Tandem-Switched Transport. For Direct-Trunked transport, the order must specify the facility Hubs involved, channel type, channel interface, and any options desired.

(D)  
(D)

## ACCESS SERVICE TARIFF

Embarq Florida, Inc  
BY: F. B. Poag, Director

First Revised Page 3  
Cancels Original Page 3

Effective: January 1, 1997

### E5. ORDERING OPTIONS FOR SWITCHED AND DEDICATED ACCESS SERVICE

#### E5.1 General (Cont'd)

##### E5.1.3 Provision of Other Services

- A. Testing Service, Additional Labor, Restoration Priority and Special Facilities Routing shall be ordered with an Access Order as set forth in B. following. The rates and charges for these services, as set forth in other sections of this Tariff, will apply in addition to the ordering charges set forth in this section and the rates and charges for the Access with which they are associated.
- B. With the agreement of the Company, the items listed in A. preceding may subsequently be added to the order at any time, up to and including the service date for the Access Service. When added subsequently, charges for a design change as set forth in E5.2.2 following will apply when an engineering review is required.
- C. Additional Engineering is not an ordering option, but will be applied to an Access Order when the Company determines that Additional Engineering is necessary to accommodate an IC or End User request. Additional Engineering will only be required as set forth in E13.1 following. When it is required, the IC or End User will be so notified and will be furnished with a written statement setting forth the justification for the Additional Engineering as well as an estimate of the charges. If the IC or End User agrees to the Additional Engineering, a firm order will be established. If the IC or End User does not want the service or facilities after being notified that Additional Engineering of Company facilities is required, the order will be withdrawn and no charges will apply. Once a firm order has been established, the total charge to the IC or End User for the Additional Engineering may not exceed the estimated amount by more than 10%.
- D. The regulations, rates and charges for Additional Engineering are as set forth in E13.1 following and are in addition to the regulations, rates and charges specified in this section.

Tariff Page revised 6/5/2006 to reflect company name change from Sprint to Embarq.

## ACCESS SERVICE TARIFF

Embarq Florida, Inc  
BY: F. B. Poag, Director

Second Revised Page 4  
Cancels First Revised Page 4

Effective: August 8, 2000

### E5. ORDERING OPTIONS FOR SWITCHED AND DEDICATED ACCESS SERVICE

#### E5.1 General (Cont'd)

##### E5.1.4 Special Construction

Special Construction is not an ordering option, but may be applied to either an Access, when the Company determines special construction is necessary to accommodate an IC, or End User request. When special construction is required, the IC or End User will be so notified and will be furnished with a written statement to be signed by the customer setting forth the justification for the special construction as well as an estimate of the charges. If the IC or End User agrees to the special construction, a firm order will be established. If the IC or End User does not want the service or facilities after being notified that special construction is required, the order will be withdrawn and no charges will apply. The regulations, rates and charges for Special Construction are set forth in E14. following and are in addition to the regulations, rates and charges specified in this section.

##### E5.1.5 Discontinuance of Service

Orders for discontinuance of service must be received in writing 24 hours in advance of the customer desired disconnect date. The Telephone Company will insure that the service is disconnected on the requested date. No charges will apply after the requested disconnect date, except as defined for minimum periods in E2.4.2 preceding.

#### E5.2 Access Order

A. An Access Order is used by the Company to provide to an IC or End User Access Service as follows:

- Switched Access Services as set forth in E6. following.
- Dedicated Access Services as set forth in E7. following, and
- Other Services as set forth in E5.1.3 preceding.

B. When placing an order for Access Service, the customer or authorized agent shall provide, at a minimum, the following information: customer's

1. For Feature Group A Switched Access Service, the customer shall specify:

- a. the number of lines,
- b. first point of switching (i.e., dial tone office),
- c. directionality of the service,
- d. the Switched Transport options, if any

Tariff Page revised 6/5/2006 to reflect company name change from Sprint to Embarq.

## ACCESS SERVICE TARIFF

Embarq Florida, Inc  
BY: F. B. Poag, Director

Second Revised Page 5  
Cancels First Revised Page 5

Effective: January 2, 2002

### E5. ORDERING OPTIONS FOR SWITCHED AND DEDICATED ACCESS SERVICE

#### E5.2 Access Order (Cont'd)

##### B. 1. (Cont'd)

- e. Local Switching options, if any
- f. whether the off-hook supervisory signaling is to be provided by the customer's equipment or if it is to be forwarded by the customer equipment when the called party answers,
- g. if the service is to be provided with an extension to a different exchange, (the customer's premises at which the extension is to be terminated),
- h. Percent Intrastate Use.

In addition, the customer shall specify whether the ordered line(s) is for MTS/WATS-type service. If the customer specifies MTS/WATS-type service, it shall also specify which lines are to be arranged in multiline hunt group arrangements and which lines are to be provided as single lines.

- 2. For Feature Group B Switched Access Service, the customer shall specify the number of trunks and the end office when direct routing to the end office is desired or the access tandem switch when routing is desired via an access tandem switch, and the Switched Transport options and Local Switching options desired. For terminating only access minutes, whether the trunks are to be arranged in trunk group arrangements or provided as single trunks. When ordering trunks to an access tandem, the customer must also provide the Company with an estimate of the amount of traffic it will generate to and/or from each end office subtending the access tandem to assist the Company in its own efforts to project further facility requirements. The customer will also provide the traffic type using the categories specified in E6.1.1. following to enable efficient provisioning and billing functions.

Tariff Page revised 6/5/2006 to reflect company name change from Sprint to Embarq.

## ACCESS SERVICE TARIFF

Embarq Florida, Inc  
BY: F. B. Poag, Director

First Revised Page 6  
Cancels Original Page 6

Effective: January 1, 1997

### E5. ORDERING OPTIONS FOR SWITCHED AND DEDICATED ACCESS SERVICE

#### E5.2 Access Order (Cont'd)

##### B. (Cont'd)

3. For Feature Group C and D Switched Access Service, the customer shall specify the number of trunks from the customer's premises end to the end office by Feature Group and by type of trunk. This information is used to determine the number of transmission paths as set forth in E6.5.5 following. The customer then specifies the Switched Transport and Local Switching options. When ordering trunks to an access tandem, the customer must also provide the Company an estimate of the amount of traffic it will generate to and/or from each end office subtending the access tandem to assist the Company in its own efforts to project further facility requirements. The customer will also provide the traffic type using the categories specified in E6.1.1. following to enable efficient provisioning and billing functions. Additionally, the customer will provide the percent intrastate usage where required.

When ordering FGD with SS7 Signaling, the customer shall specify the signaling point codes and trunk circuit identification codes. In addition, the customer must identify the Common Channel Signaling/Signaling System 7 (CCS/SS7) Interconnection Service link associated with the FGD trunk group.

4. For Directory Assistance Service, the customer shall specify the number of trunks from the customer's premises to the Directory Assistance location. If the Directory Assistance Service is to be associated with a Feature Group C or D Switched Access Service, the Customer shall also specify which Feature Group C or D Switched Access Service trunk group is to be associated with the Directory Assistance Service. This information is used to determine the number of transmission paths as set forth in E9.2.2.B following. The customer then specifies the Directory Transport options.

Tariff Page revised 6/5/2006 to reflect company name change from Sprint to Embarq.



Embarq Florida, Inc  
d/b/a CenturyLink  
BY: Gary L. Kepley, Director

Second Revised Page 7 (T)  
Cancels Original Page 7

Effective: July 2, 2013

E5. ORDERING OPTIONS FOR SWITCHED AND DEDICATED ACCESS SERVICE

E5.2 Access Order (Cont'd)

- B. 5. When Switched Access Service is ordered, the trunk quantity may be determined by the customer in the following manner. For each day the customer shall determine the highest number of trunks in use for a single hour. The customer shall, for the same hour period (i.e., busy hour), pick the twenty consecutive business days in a calendar year which add up to the largest number of trunks in use. The customer shall then determine the average busy hour trunks by dividing the largest number of trunks in use figure, for the same hour period, for the twenty consecutive business day period by 20. This computation shall be performed for each end office and/or access tandem the customer wishes to serve. If data to develop a twenty consecutive day period is not available, the customer may use a twenty day period that contains as many consecutive days as is available.

When a customer desires Switched Access Service to an end office that is a remote switching office, the customer must order to the host office which controls the remote switching office since all traffic to and/or from a remote switching office must be routed through the host office.

- 6. For all Dedicated Access Services, the End User or End User's authorized agent must specify the IC terminal location and End User premises or Hub, the type of service (e.g., Narrowband 1, Voice Grade 3, High Capacity 1, etc.) and the facility interface. When ordering to a Hub, no interface combinations are required but Hub functions must be specified. For multipoint services, the channel interface at each End User premises may be different but all such interfaces shall be compatible.

- 7. **Reserved for Future Use**

(C)  
(D)  
—  
(D)

## ACCESS SERVICE TARIFF

Embarq Florida, Inc  
BY: F. B. Poag, Director

Second Revised Page 8  
Cancels First Revised Page 8

Effective: January 4, 2002

### E5. ORDERING OPTIONS FOR SWITCHED AND DEDICATED ACCESS SERVICE

#### E5.2 Access Order (Cont'd)

##### B. (Cont'd)

8. For Toll Free Code (TFC) Access Service, the customer shall order in the same manner which is set forth preceding for ordering Feature Group D, except that customers may request direct connections to only those end offices and access tandems equipped with TFC Service Switching Point (TFC SSP) functionality. All TFC traffic originating from end offices not equipped with the TFC SSP function must be routed via an access tandem at which the function is available and the TFC Access Service must be ordered accordingly. TFC SSP locations are identified in the National Exchange Carrier Association, Inc. Tariff F.C.C. No. 4. The TFC Access Service customer must advise its Responsible Organization or the TFC Service Management System (TFC SMS) whether the TFC to Local Exchange Number Translation optional feature set forth in E6.2.5 following is desired. When the TFC to Local Exchange Number Translation feature is to be delivered to the customer, the customer must provide, via the TFC record in the TFC SMS, the ten digit local exchange number (NPA-NXX-XXXX) to be associated with the translated TFC number. If the TFC to Local Exchange Number Translation optional feature is used, the customer will be unable to determine that such calls originated as 1+8XX-NXX-XXXX dialed calls unless the customer also orders the Flexible Automatic Number Identification (Flex ANI) optional feature.

In addition, when a local exchange number is to be delivered to the TFC Access Service customer, the customer must provide to its Responsible Organization or to the TFC Service Management System (TFC SMS), the ten digit local exchange number to be associated with the translated TFC number.

If the customer desires any of the TFC Data Base Optional Service Features described in E6.2.5.(C), the customer must enter this information into the TFC SMS or provide the information to its Responsible Organization for handling. Optional features are not available to customers of interexchange carriers for use in connection with interLATA TFC services.

Tariff Page revised 6/5/2006 to reflect company name change from Sprint to Embarq.

## ACCESS SERVICE TARIFF

Embarq Florida, Inc  
BY: F. B. Poag, Director

Third Revised Page 9  
Cancels Second Revised Page 9

Effective: July 25, 2001

### E5. ORDERING OPTIONS FOR SWITCHED AND DEDICATED ACCESS SERVICE

#### E5.2 Access Order (Cont'd)

##### B. (Cont'd)

9. For Interim 500 Access Service and 900 Access Service, the customer shall order in the same manner which is set forth preceding for ordering Feature Group D, except that customers may request direct connections to only those end offices designated by the Company as Interim 500 or 900 Access Service screening offices. Direct trunk routes cannot be provided unless the end office is equipped to provide the IC identification function. All traffic originating from end offices not equipped to provide the IC identification function will require routing via the access tandem at which the function is available. Service must be ordered accordingly.

The customer must order service a minimum of 10 working days prior to desired activation. Additionally, when new NXX(s) are to be opened in the state, for exchanges served by the Company, or when existing NXX(s) are to be deleted, and such change is to occur coincident with the service date established for the order, the customer shall provide such information when placing the order for service. If the change is to occur absent the requirement for additional capacity (i.e., quantities of trunks), the customer shall notify the Company of the change as set forth in E6.6.1.A.5. following.

All 500 or 900 number assignments and administration shall be in accordance with the North American Numbering Plan (NANP).

10. The IC shall provide to the Company proof of application for certification from the Florida Public Service Commission when placing an order for Access Service.

Tariff Page revised 6/5/2006 to reflect company name change from Sprint to Embarq.

## ACCESS SERVICE TARIFF

Embarq Florida, Inc  
BY: F. B. Poag, Director

First Revised Page 10  
Cancels Original Page 10

Effective: January 1, 1997

### E5. ORDERING OPTIONS FOR SWITCHED AND DEDICATED ACCESS SERVICE

#### E5.2 Access Order (Cont'd)

##### B. (Cont'd)

11. For Operator Transfer Service, the customer must order sufficient capacity to transport any/all originating traffic from all Company end offices within each LATA of the OSS serving area. The customer must specify whether Feature Group B or Feature Group C, Switched Access Service will be used to interconnect between the OSS tandem(s) and the customer's Point of Presence (POP) in nonequal access areas; Feature Group D will be required in equal access areas. In addition, the customer must specify whether or not operator functionality, coin station control, or both are to be provided by the customer. Operator Transfer Service will be provided where technically available.  
Operator Service System (OSS) tandem interconnection requirements are specified in E15.4 following. Information regarding OSS tandem locations is contained in NECA Tariff F.C.C. No. 4.
12. For Common Channel Signaling/Signaling System 7 (CCS/SS7) Interconnection Service, the customer must provide the following information to the Company at the time of ordering:
  - Number of access links
  - Link Type
  - Signaling Link Code
  - Customer Signaling Point Code
  - Common Language Location Identifier (CLLI) code of the Company interconnecting Signal Transfer Point
  - Contact telephone number for installation and maintenance of the customer's designated premises

When ordering CCS/SS7 Interconnection service, the customer will provide an estimate of total annual volume and busy hour busy month volume projected for a period of three years. The forecast should be itemized by message type. The Company will utilize this forecast in its own efforts to project further facility requirements.

Tariff Page revised 6/5/2006 to reflect company name change from Sprint to Embarq.

## ACCESS SERVICE TARIFF

Embarq Florida, Inc  
BY: F. B. Poag, Director

First Revised Page 11  
Cancels Original Page 11

Effective: January 1, 1997

### E5. ORDERING OPTIONS FOR SWITCHED AND DEDICATED ACCESS SERVICE

#### E5.2 Access Order (Cont'd)

##### B. (Cont'd)

13. For WATS Access Line Service, the IC must also specify the type of calling (i.e., Originating Only, Terminating Only, or Two-Way) for which the service is to be provided. Additionally, when necessary screening functions are not provided at the wire center which serves the IC's originating or terminating premises, the Company will provide the service to the nearest wire center where the capability exists. In these circumstances, the IC will be so notified and the order will be changed to designate the appropriate premises. No charge will apply for the change.
14. To enable an IC to receive flat rate treatment on a WATS Access Line used to provide terminating service (i.e., TFC Service), the IC must specify, by jurisdiction, the telephone number which is used to route the call.
15. Where the Dedicated Access or WATS Access Line service is exempt from the Special Access Surcharge as set forth in E7. following, the IC shall furnish with the order the certification as set forth in that section.

Tariff Page revised 6/5/2006 to reflect company name change from Sprint to Embarq.

## ACCESS SERVICE TARIFF

Embarq Florida, Inc  
BY: F. B. Poag, Director

First Revised Page 12  
Cancels Original Page 12

Effective: January 1, 1997

### E5. ORDERING OPTIONS FOR SWITCHED AND DEDICATED ACCESS SERVICE

#### E5.2.1 Access Order Service Date Intervals

- A. Access Service is provided with one of the following Service Date Intervals:
  - 1. Standard Interval
  - 2. Negotiated Interval
- B. To the extent the Access Service can be made available with reasonable effort, the Company will provide the Access Service in accordance with the IC's or End User's requested interval subject to the following conditions.
  - 1. Standard Interval
    - a. The Company shall publish, and make available to all IC's and End Users, a schedule of Standard Intervals applicable for Switched and Dedicated Access Services. The schedule shall specify which services and the quantities of services that can be provided within the standard intervals.
    - b. Access Services provided in a Standard Interval will be installed during Company business days. If an IC or End User requests that installation be done outside of scheduled work hours, and the Company agrees to this request, the IC for Switched Access Service or End User for Dedicated Access Service will be subject to applicable Additional Labor Charges as set forth in E13.

Tariff Page revised 6/5/2006 to reflect company name change from Sprint to Embarq.

## ACCESS SERVICE TARIFF

Embarq Florida, Inc  
BY: F. B. Poag, Director

Second Revised Page 13  
Cancels First Revised Page 13

Effective: August 8, 2000

### E5. ORDERING OPTIONS FOR SWITCHED AND DEDICATED ACCESS SERVICE

#### E5.2 Access Order (Cont'd)

##### E5.2.1 Access Order Service Date Intervals (Cont'd)

#### B. (Cont'd)

#### 2. Negotiated Interval

- a. The Company will negotiate a service date interval with the IC or End User when:
  - (1) There is no Standard Interval for the service.
  - (2) The IC or End User requests a service date before or beyond the applicable Standard Interval service date.
- b. The Company will offer a service date based on the type and quantity of access services the IC or End User has requested. The negotiated interval may not exceed by more than 6 months the standard interval service date, or when there is no standard interval, the Company offered service date.

##### E5.2.2 Access Order Modifications

- A. The IC or End User may request a modification of its Access Order prior to the service date. The Company will make every effort to accommodate a requested modification when it is able to do so with the normal work force assigned to complete such an order within normal business hours. If the modification cannot be made with the normal work force during normal business hours, the Company will notify the IC or End User. If the IC or End User still desires the Access Order modification, the Company will schedule a new service date. All charges for Access Order modification will apply on a per occurrence basis.

When Telephone Company personnel are dispatched to install a customer's service on the requested service date, and the customer advises the Telephone Company personnel that service cannot be accepted at that time, the customer shall be responsible for payment of additional labor charges for the time incurred by Telephone Company personnel. The additional labor charges will be applied on per half hour, per technician basis as set forth in E13.2 following.

- B. Any increase in the number of Dedicated Access Service channels or Switched Access Service Lines, trunks, or CCS/SS7 port terminations will be treated as a new Access Order (for the increased amount only).

Tariff Page revised 6/5/2006 to reflect company name change from Sprint to Embarq.

Embarq Florida, Inc  
**d/b/a CenturyLink**  
BY: Gary L. Kepley, Director

Second Revised Page 14 (T)  
Cancels First Revised Page 14

Effective: July 2, 2013

## E5. ORDERING OPTIONS FOR SWITCHED AND DEDICATED ACCESS SERVICE

### E5.2 Access Order (Cont'd)

#### E5.2.2 Access Order Modifications (Cont'd)

C. If order modifications are necessary to satisfy the transmission performance for a Dedicated Access Service ordered by a customer, these changes will be made without order modification charges being incurred by the End User.

#### D. Partial Cancellation Charge

1. Any decrease in the number of ordered Dedicated Access Service channels, Switched Access Service Lines, trunks, Dedicated Access, WATS Access Lines or CCS/SS7 port terminations will be treated as a partial cancellation and the charges as set forth in E5.2.3.B. following will apply. (D)

#### E. Design Change Charges

1. The IC or End User may request a design change to the service ordered. A design change is any change to an Access Order which requires engineering review. An engineering review is a review by Company personnel of the service ordered and the requested changes to determine what changes in the design, if any, are necessary to meet the changes requested by the IC or End User. Design changes include such things as the addition or deletion of optional features or functions or a change in the type of Transport Termination (Switched Access only), type of channel interface, type of Interface Group or technical specification package. Design changes do not include a change of IC terminal location, End User premises, end office switch, Feature Group type or Dedicated Access Service channel type. Changes of this nature will require the issuance of a new order and the cancellation of the original order with appropriate cancellation charges applied.



ACCESS SERVICE TARIFF

Embarq Florida, Inc. d/b/a CenturyLink

Sixth Revised Page 15  
Cancels Fifth Revised Page 15

By: Gary L. Kepley, Director

Effective: January 15, 2017

E5. ORDERING OPTIONS FOR SWITCHED AND DEDICATED ACCESS SERVICE

E5.2 Access Order (Cont'd)

E5.2.2 Access Order Modifications (Cont'd)

E. Design Change Charges (Cont'd)

- 2. The Company will review the requested change; notify the IC or End User whether the change is a design change, if it can be accommodated and if a new service date is required. If the IC or End User authorizes the Company to proceed with the design change, a Design Change Charge will apply. The Design Change Charge will apply on a per order, per occurrence basis, for each order requiring a design change.

The applicable charge is:

	<u>Nonrecurring Charge</u>	
	<u>Switched</u>	<u>Special</u>
	<u>Access [1]</u>	<u>Access</u>
Design change charge, per order	\$15.25	\$26.21

If as a result of the change, the original service date cannot be met without the Company incurring additional labor, and the customer provides authorization to the Company to proceed, then charges as set forth in Section 13 will apply. If the customer is unwilling to pay such costs, the service date must be changed in accordance with A., preceding, as a result of the design change.

E5.2.3 Cancellation of an Access Order

- A. An IC or End User may cancel an Access Order for the installation of service at any time prior to notification by the Company that service is available for the customer's use. The cancellation date is the date the Company receives written or verbal notice from the IC or End User that the order is to be canceled. **The verbal notice must be followed by written confirmation within 10 days.** (C)

If an IC or an End User is unable to accept Access Service within 30 calendar days of the latest agreed upon service date, the IC or End User has the choice of the following options:

- 1. The Access Order **will** be canceled and charges set forth in E5.2.3.B. following will apply **if the service has not been fully provisioned;** (C)

[1] This flat rated charge was calculated based upon a 50/50 split between originating and terminating. The FCC in their FCC 11-161 ICC Transformation order in section 51.907(d)(1) allowed Price Cap Carriers to use an equal split to divide the charge between originating and terminating elements. When the terminating portion of the rate is reduced and then combined with the originating portion of the rate, a single flat rate is generated for billing purposes.

ACCESS SERVICE TARIFF

Embarq Florida, Inc. d/b/a CenturyLink  
By: Gary L. Kepley, Director

Third Revised Page 16 (T)  
Cancels Second Revised Page 16 (T)

Effective: January 15, 2017

E5. ORDERING OPTIONS FOR SWITCHED AND DEDICATED ACCESS SERVICE

E5.2 Access Order (Cont'd)

E5.2.3 Cancellation of an Access Order (Cont'd)

A. (Cont'd)

2. **The Access Order will be completed and** billing for the service will commence **if the service has been fully provisioned or the customer has indicated that billing for the service should begin.** (C)  
(C)

(D)  
|  
(D)

B. When an IC or End User cancels an Access Order for the installation of service, a Cancellation Charge will apply as follows:

1. Installation of Switched or Dedicated Access Service facilities is considered to have started when the Company incurs any cost in connection therewith or in preparation thereof which would not otherwise have been incurred. The Company begins to incur costs on the Application Date as defined in 4.b. following.
2. Where the IC or End User cancels an Access Order prior to the Scheduled Issue Date, as defined in 4.b. following, no charges shall apply.
3. Where the IC or End User cancels an Access Order on or after the Scheduled Issue Date, a charge equal to the costs incurred by the Company shall apply. Such charge is determined as detailed in 4., following.

ACCESS SERVICE TARIFF

Embarq Florida, Inc  
BY: F. B. Poag, Director

First Revised Page 17  
Cancels Original Page 17

Effective: January 1, 1997

E5. ORDERING OPTIONS FOR SWITCHED AND DEDICATED ACCESS SERVICE

E5.2 Access Order (Cont'd)

E5.2.3 Cancellation of an Access Order (Cont'd)

B. (Cont'd)

4. Charges applicable as specified in 3. preceding are based on the costs incurred by the Company at the time the order is canceled. The costs incurred are determined based on the following:
  - a. Certain Company critical dates are associated with an Access Order provisioning interval, whether standard or negotiated. These dates are used by the Company to monitor the progress of the provisioning process. At any point in the Access Order interval the Company is able to determine which critical date was last completed and can thus determine what percentage of the Company's provisioning costs have been incurred as of that critical date.
  - b. The critical dates tracked by the Company are as follows:
    - Application Date (APP): The date the IC or End User provides a firm commitment and sufficient information as detailed in E5.1 preceding to the Company. This is also the order date.
    - Scheduled Issue Date (SID): The date that the order is to be entered in the Company's order distribution system.
    - Loop Assignment and Make-up Date (LAM): The date by which Local Loop Assignment and Make-up information must be available.
    - Design Layout Report Date (DLRD): The date the Design Layout Report (DLR) is to be forwarded to the IC or End User.
    - Confirming Design Layout Report Date (CDLRD): The date the Design Layout Report (DLR) is to be confirmed by the IC or End User.

Tariff Page revised 6/5/2006 to reflect company name change from Sprint to Embarq.

## ACCESS SERVICE TARIFF

Embarq Florida, Inc  
BY: F. B. Poag, Director

First Revised Page 18  
Cancels Original Page 18

Effective: January 1, 1997

### E5. ORDERING OPTIONS FOR SWITCHED AND DEDICATED ACCESS SERVICE

#### E5.2 Access Order (Cont'd)

#### E5.2.3 Cancellation of an Access Order (Cont'd)

#### B. 4. b. (Cont'd)

- **Records Issue Date (RID):** The date that all design and assignment information is to be sent to the central office and installation forces.
- **Wired and Office Tested Date (WOT):** The date by which all intra-office wiring is to be completed, all plug-ins optioned, aligned, and frame continuity established, and the interoffice facilities, if applicable, tested. In addition, switching equipment, including translation loading, is to be installed and tested.
- **Plant Test Date (PTD):** The date on which overall testing of the service is to be started.
- **Service Date (DD):** The date on which service is to be made available to the IC or End User. This is sometimes referred to as the Due Date.
- **Designed, Verified, and Assigned Date (DA):** The date by which field implementation groups must report that all documents and materials have been received.
- **Frame Continuity Date (FCD):** Date on which frame-to-frame testing must be completed. This is sometimes referred to as the Facility Continuity Check Date.
- **Engineering Information Report Date (EIRD):** The date the engineering group in another ISS area provides information to the primary engineering group.

Tariff Page revised 6/5/2006 to reflect company name change from Sprint to Embarq.

ACCESS SERVICE TARIFF

Embarq Florida, Inc  
 BY: F. B. Poag, Director

Second Revised Page 19  
 Cancels First Revised Page 19

Effective: January 19, 2001

E5. ORDERING OPTIONS FOR SWITCHED AND DEDICATED ACCESS SERVICE

E5.2 Access Order (Cont'd)

E5.2.3 Cancellation of an Access Order (Cont'd)

B. 4. (Cont'd)

- c. The percentage of the total provisioning cost incurred by the Company at a particular critical date varies by the type of service as shown in d. following.
- d. Except as set forth in (e) following when an IC or End User cancels an Access Order, or part of an Access Order, before the service date, the Company will apply cancellation charges to the order by multiplying all the nonrecurring charges associated with the order, or that part of the order being canceled, by the percentage shown following for the critical date last completed on the order:

(1) LAST CRITICAL DATE COMPLETED - United Telephone

<u>Service Category</u>	<u>APP</u>	<u>SID</u>	<u>DLRD</u>	<u>RID</u>	<u>WOT</u>	<u>PTD</u>	<u>DD</u>
FGA	0%	4%	18%	23%	67%	99%	Minimum Period Charges Apply
FGB	0%	4%	18%	23%	67%	99%	"
FGC	0%	4%	18%	23%	67%	99%	"
FGD	0%	4%	18%	23%	67%	99%	"
800	0%	4%	18%	23%	67%	99%	"
OptiPoint	0%	4%	18%	23%	67%	99%	"
Voice Grade	0%	2%	26%	35%	63%	99%	"
Audio Prog.	0%	2%	26%	35%	63%	99%	"
WATS	0%	2%	26%	35%	63%	99%	"
Digital Access	0%	2%	26%	35%	63%	99%	"
High Capacity	0%	2%	26%	35%	63%	99%	"

Tariff Page revised 6/5/2006 to reflect company name change from Sprint to Embarq.

ACCESS SERVICE TARIFF

Embarq Florida, Inc  
 BY: F. B. Poag, Director

Sixth Revised Page 20  
 Cancels Fifth Revised Page 20

Effective: June 7, 2003

E5. ORDERING OPTIONS FOR SWITCHED AND DEDICATED ACCESS SERVICE

E5.2 Access Order (Cont'd)

E5.2.3 Cancellation of an Access Order (Cont'd)

B. 4. (Cont'd)

(d) (Cont'd)

(2) LAST CRITICAL DATE COMPLETED - Central Telephone

Type of Service	APP	SID	LAM	EIRD	DLRD	RID
Critical Dates	SID	LAM	EIRD	DLRD	RID	DVA
<u>After:</u>						
<u>Before:</u>						
WATS	3.8%	9.6%	11.9%	16.2%	21.4%	29.9%
Voice Grade	3.8%	9.5%	11.9%	16.1%	21.3%	29.7%
High Capacity	3.7%	9.3%	11.5%	15.6%	20.6%	28.8%
Digital Data Access	3.6%	9.1%	11.4%	16.1%	21.9%	28.5%
Local Transport (Switched Access)	8.6%	17.2%	17.2%	22.1%	28.0%	41.1%
OptiPoint	8.6%	17.2%	17.2%	22.1%	28.0%	41.1%

Type of Service	DVA	WOT	FCD	PTP	DD
Critical Dates	WOT	FCD	PTP	DD	
<u>After:</u>					
<u>Before:</u>					
WATS	39.7%	47.5%	69.6%	93.3%	100%
Voice Grade	39.5%	47.2%	69.5%	93.4%	100%
High Capacity	38.3%	45.8%	68.9%	93.6%	100%
Digital Data Access	36.0%	45.2%	69.9%	93.9%	100%
Local Transport (Switched Access)	60.5%	67.8%	79.7%	95.8%	100%
OptiPoint	60.5%	67.8%	79.7%	95.8%	100%

(e) The cancellation charge for OC3, OC12, OC48 or OC192 services without separate nonrecurring installation charges (e.g., OptiPoint Service), will be calculated as a percentage of the Optical Service Charge set forth in E6.8.8 following for each node associated with the cancelled order. This percentage is calculated as in (d) above.

Tariff Page revised 6/5/2006 to reflect company name change from Sprint to Embarq.

## ACCESS SERVICE TARIFF

Embarq Florida, Inc  
BY: F. B. Poag, Director

Third Revised Page 21  
Cancels Second Revised Page 21

Effective: January 2, 2002

### E5. ORDERING OPTIONS FOR SWITCHED AND DEDICATED ACCESS SERVICE

#### E5.2 Access Order (Cont'd)

##### E5.2.3 Cancellation of an Access Order (Cont'd)

- C. When an IC or End User cancels an order for the discontinuance of service, no charges apply for the cancellation.
- D. If the Company misses a service date by more than 30 days due to circumstances over which it has direct control (excluding, e.g., acts of God, governmental requirements, work stoppages and civil commotions), the IC or End User may cancel the Access Order without incurring cancellation charges.

##### E5.2.4 Minimum Period

- A. Except as set forth in B. and C. following E6.2.8 and E9.4.3 the minimum period for which Access Service is provided and for which charges are applicable is one month. The minimum period for Switched Access Service Feature Group D is three months. For the application of minimum period charges for Switched Access Service Feature Groups B, C and D, it is assumed that the last identical capacity placed in service is the first one discontinued.
- B. Reserved For Future Use
- C. Service Rearrangements as set forth in E6.7.1, E7.4.1 and 18.1.3(c) following for Switched, Dedicated Access Services and Frame Relay Access Service respectively, may be made without a change in minimum period requirements

Tariff Page revised 6/5/2006 to reflect company name change from Sprint to Embarq.

## ACCESS SERVICE TARIFF

Embarq Florida, Inc  
BY: F. B. Poag, Director

First Revised Page 22  
Cancels Original Page 22

Effective: January 1, 1997

### E5. ORDERING OPTIONS FOR SWITCHED AND DEDICATED ACCESS SERVICE

#### E5.2 Access Order (Cont'd)

##### E5.2.4 Minimum Period (Cont'd)

- D. Changes other than those identified in E6.7.1 or E7.4.1 following will be treated as a discontinuance of the existing service and an installation of a new service. All associated nonrecurring charges will apply for the new service. A new minimum period will be established for the new service. The customer will also remain responsible for all outstanding minimum period obligations associated with the disconnected service.

The following changes are those which will be treated as a discontinuance and installation of service and for which a new minimum period will be established.

1. A move to a different building as set forth in E6.7.6 or E7.4.4 following.
2. A change in type of service (i.e., Switched Access to Dedicated Access, one type of Dedicated Access to another, or one type of Switched Access Feature Group to another except as set forth in E6.7.5 following).
3. A change in the type of Dedicated Access Service Local Channel.
4. A change in Switched Access Service Interface Group.
5. A change in Switched Access Service traffic type.
6. A change from two-point to multipoint Dedicated Access Service or from multipoint to two-point Dedicated Access Service.

Tariff Page revised 6/5/2006 to reflect company name change from Sprint to Embarq.



Effective: July 2, 2013

E5. ORDERING OPTIONS FOR SWITCHED AND DEDICATED ACCESS SERVICE

E5.2 Access Order (Cont'd)

E5.2.5 Minimum Period Charges

- A. When Access Service is discontinued prior to the expiration of the minimum period, charges are applicable for the balance of the minimum period. A disconnect constitutes facilities being returned to available inventory.

The Minimum Period Monthly Charge, for monthly billed services will be determined as follows:

1. For Switched Access Service, the charge for each remaining month and/or fraction thereof is equal to the applicable minimum monthly charge for the capacity as set forth in E6.7.4 following.
2. For Dedicated Access Service, the charge for each remaining month and fraction thereof is the applicable monthly rate for the service as set forth in E7.5 following. The minimum period for existing Dedicated Access Service is not affected by POP relocations.

(D)  
|  
(D)

E5.2.6 Available Inventory

Available inventory is limited and does not include facilities previously ordered. The Company will make every reasonable effort to maintain sufficient available inventory to provide Access Service in accordance with IC's or End User's requested service date intervals. To the extent that service can be provided, Access Orders will be satisfied from available inventory.

E5.2.7 Switched Access Service to Interconnections

For Feature Groups B and D Switched Access Service provided to a Mobile Telephone Switching Office (MTSO) directly interconnected to a Company access tandem office, the customer shall provide information to the Company indicating the NXX code(s) to be accessed.

## ACCESS SERVICE TARIFF

Embarq Florida, Inc  
BY: F. B. Poag, Director

Second Revised Page 24  
Cancels First Revised Page 24

Effective: August 8, 2000

### E5. ORDERING OPTIONS FOR SWITCHED AND DEDICATED ACCESS SERVICE

#### E5.3 Switched Access Service Minimum Capacity Requirements

##### E5.3.1 General

When Switched Access Service is ordered under an Access Order, it will be provided subject to the minimum capacity provisions set forth in E5.1.2 preceding and in E5.3.2 through E5.3.7 following.

##### E5.3.2 Applicability

There is no minimum capacity for Interface Groups 1 and 2. The minimum capacity provided for Interface Groups 6 and 9, and for which charges are applicable, are set forth in E5.3.6 following.

##### E5.3.3 Additional Orders

When additional trunks are ordered, they may be provided using activated or in-service Interface Groups. Such trunks, up to and including the number that brings the Interface Group to its designated capacity, will be provided without being subject to the minimum capacity provisions as set forth in E5.3.6 following. Any additional trunks ordered will be subject to the minimum capacity.

##### E5.3.4 High Frequency Analog or Digital Interface Group

When a customer requests High Frequency Analog or Digital interface groups, the customer is required to order at a minimum sufficient capacity to utilize 70% of the channels.

##### E5.3.5 Grouping of Interface Groups

For the purpose of administering the minimum capacity provisions, Access Orders for Interface Groups for different feature groups may be grouped together if the facilities provided for all the connections are the same and terminate in the same facilities terminal in the same end office.

Tariff Page revised 6/5/2006 to reflect company name change from Sprint to Embarq.

ACCESS SERVICE TARIFF

Embarq Florida, Inc  
BY: F. B. Poag, Director

First Revised Page 25  
Cancels Original Page 25

Effective: January 1, 1997

E5. ORDERING OPTIONS FOR SWITCHED AND DEDICATED ACCESS SERVICE

E5.3 Switched Access Service Minimum Capacity Requirements

E5.3.6 Interface Capacities and Minimum Order Requirements

The following table provides the total capacity of the interface and the thresholds for minimum order requirements. The Company will not provide these Interface Groups when less than 70% of the capacity is ordered. For purposes of grouping, as set forth in E5.3.5 preceding, it shall be assumed that Feature Group A, B, C, or D minutes may be combined.

Interface Type	Interface Name	Total Capacity (channels)	Minimum Capacity (channels)
Analog	Group	12	9
Analog	Supergroup	60	42
Analog	Mastergroup	600	420
Digital	DS1	24	17
Digital	DS3	672	471

E5.3.7 Disconnection of Service

- A. When Switched Access Service provided from available inventory is disconnected, and the disconnect causes the in service capacity to fall below the minimum requirements, the Company will, at the option of the customer, disconnect all the service subject to the minimum capacity requirements, and all appropriate charges will apply.

Tariff Page revised 6/5/2006 to reflect company name change from Sprint to Embarq.

# ACCESS SERVICE TARIFF

Embarq Florida, Inc.  
By: F. B. Poag, Director

Fourth Revised Page 1  
Cancels Third Revised Page 1

Effective: October 26, 2001

## E6. SWITCHED ACCESS SERVICE

### CONTENTS

	<u>PAGE</u>
E6.1 General	1
E6.1.1 Switched Access Service Arrangements and Manner of Provision	2
E6.1.2 WATS Access Line Service	7
E6.1.3 Rate Categories	8
E6.1.4 Special Facilities Routing	39
E6.1.5 Design Layout Report	39
E6.1.6 Acceptance Testing	39
E6.1.7 Ordering Options and Conditions	40
E6.2 Provision and Description of Switched	40
E6.2.1 Feature Group A	42
E6.2.2 Feature Group B	46
E6.2.3 Feature Group C	51
E6.2.4 Feature Group D	57
E6.2.5 Toll Free Code (TFC) Access Service	63
E6.2.6 900 Access Service	67
E6.2.7 500 Access Service	70.1
E6.2.8 OptiPoint Services	70.4
E6.3 Local Switching Optional Features	71
E6.3. Local Switching	71
E6.4 Service Provisioning	85
E6.4.1 Standard Transmission Specifications	85
E6.4.2 Data Transmission Parameters	93

Tariff Page revised 6/5/2006 to reflect company name change from Sprint to Embarq.

ACCESS SERVICE TARIFF

Embarq Florida, Inc.  
 By: F. B. Poag, Director

First Revised Page 2  
 Cancels Original Page 2

Effective: January 1, 1997

E6. SWITCHED ACCESS SERVICE

CONTENTS

	<u>PAGE</u>
E6.5 Obligations of the Company	97
E6.5.1 Network Management	97
E6.5.2 Design and Traffic Routing of Switched Access Service	97
E6.5.3 Provision of Service Performance Data	98
E6.5.4 Trunk Group Measurements Reports	99
E6.5.5 Determination of Number of Transmission Paths	99
E6.5.6 Determination of Number of End Office Transport Terminations	99
E6.5.7 Design Blocking Probability	100
E6.6 Obligations of the Customer	103
E6.6.1 Report Requirements	103
E6.6.2 Supervisory Signaling	105
E6.6.3 Trunk Group Measurements Report	105
E6.6.5 Design of Switched Access Services	105
E6.7 Rate Regulations	105
E6.7.1 Description and Application of Rates and Charges	105
E6.7.2 Minimum Periods	113
E6.7.3 Switched Access Service for Resale of Other Customer Service	113
E6.7.4 Minimum Monthly Charge	116
E6.7.5 Change of Feature Group Type	116
E6.7.6 Moves	117
E6.7.7 Measuring Access Minutes	118
E6.7.8 Network Blocking for Feature Group D	124
E6.7.9 Application of Rates for Feature Group A Extension Service	125
E6.7.10 Message Unit Credit	125
E6.7.11 Local Information Delivery Services	125
E6.7.12 Mileage Measurement	126
E6.7.13 Application of Rates	131
E6.7.14 Shared Use	133
E6.7.15 Zone Density Plan	133

Tariff Page revised 6/5/2006 to reflect company name change from Sprint to Embarq.

# ACCESS SERVICE TARIFF

Embarq Florida, Inc.  
By: F. B. Poag, Director

Third Revised Page 3  
Cancels Second Revised Page 3

Effective: January 19, 2001

## E6. SWITCHED ACCESS SERVICE

### CONTENTS

	<u>PAGE</u>
E6.8 Rates and Charges	135
E6.8.1 Interconnection Charge	135
E6.8.2 Switched Transport	135
E6.8.3 End Office	141
E6.8.4 Dedicated Access Line Service	148
E6.8.5 Toll Free Code (TFC) Access Service	154
E6.8.6 900 Access Service	155
E6.8.7 500 Access Service	156
E6.8.8 Optical Service Charge	156

Tariff Page revised 6/5/2006 to reflect company name change from Sprint to Embarq.

## ACCESS SERVICE TARIFF

Embarq Florida, Inc.  
**d/b/a CenturyLink**  
BY: Chantel Bosworth, Director

Fifth Revised Page 1  
Cancels Fourth Revised Page 1

Effective: April 21, 2021

### E6. SWITCHED ACCESS SERVICE

#### E6.1 General

Switched Access Service, which is available to customers for their use in furnishing their services to end users, provides a two-point electrical communications path between a customer's premises and an end user's premises. It provides for the use of common terminating, local switching, switched transport facilities, and common subscriber plant of the Company. Switched Access Service provides for the ability to originate calls from an end user's premises to customer's premises, and to terminate calls from a customer's premises to an end user's premises. Specific references to material describing the elements of Switched Access Service are provided in E6.1.1 and E6.1.3 following. (T)

Rates and charges for Switched Access Service depend generally on its use by the customer, i.e., for MTS or WATS services, MTS-WATS equivalent services, or other services (e.g., foreign exchange service), and whether it is provided in a Company end office that is equipped to provide equal access (Feature Group D Access, described in E6.1.1.D. following). Rates and charges for Switched Access Service are billed to the customer, except for Carrier Common Line and Switched Access charges associated with Switched Access Services used in the provisioning of Feature Group B type services which will be ordered by and billed directly to the End User of these services, as set forth in E6.8 following.

The application of rates for Switched Access Service is described in E6.7 following. Rates and charges for services other than Switched Access Service, e.g., a customer's interLATA and intraLATA toll message service, may also be applicable when Switched Access Service is used in conjunction with these other services. Descriptions of such applicability are provided in E6.2.1.A.7., E6.2.1.B.4., E6.2.2.A.5., E6.2.3.A.5., E6.2.4.A.4., and E6.7.9 following. Finally, a credit is applied against line side Switched Access Service charges as described in E6.7.10 following.

## ACCESS SERVICE TARIFF

Embarq Florida, Inc.  
By: F. B. Poag, Director

Third Revised Page 2  
Cancels Second Revised Page 2

Effective: January 2, 2002

### E6. SWITCHED ACCESS SERVICE

#### E6.1 General (Cont'd)

##### E6.1.1 Switched Access Service Arrangements and Manner of Provision

Switched Access Service is provided in seven service categories of standard and optional features called Feature Groups A through D, Toll Free Code (TFC) Access Service, Interim 500 Service and 900 Access Service. They are differentiated by their technical characteristics, e.g., line side vs. trunk side connection at the Company entry switch, and the manner in which an end user accesses them in originating calling, e.g., with or without an access code. Following is a brief description of each type of Switched Access Service arrangement.

##### A. Feature Group A (FGA)

FGA Access, which is available to all customers and provides line side access to Company end office switches with an associated seven digit local telephone number for use in originating and terminating communications to a customer's intrastate service or a Company-provided, end office based, intrastate private network switching service. When associated with a Company-provided, end office based private network switch, end users must order FGA for off-network access<sup>1</sup>. When FGA access service is ordered by an end user for use with a Company-provided private network switch, the end user must specify the customer that provides the interLATA links of the private network service. A more detailed description of FGA Access is provided in E6.2.1 following.

Note<sup>1</sup> Any private switched network provided by the Company pursuant to a contract for a specified term and ordered by the customer prior to May 26, 1988 will be permitted to maintain its existing off-network access arrangements until the expiration date and replaces the Company-provided private network switch with a switch provided by a customer at their premises, the end user may continue the grandfathered off-network access arrangement with its new switch until the original expiration date of the terminated contract.

Tariff Page revised 6/5/2006 to reflect company name change from Sprint to Embarq.



ACCESS SERVICE TARIFF

Embarq Florida, Inc.  
By: F. B. Poag, Director

Second Revised Page 3  
Cancels First Revised Page 3

Effective: July 17, 1998

E6. SWITCHED ACCESS SERVICE

E6.1 General (Cont'd)

E6.1.1 Switched Access Service Arrangements and Manner of Provision (Cont'd)

B. Feature Group B (FGB)

FGB Access, which is available to all customers, provides trunk side access to Company end office switches with an associated uniform 950-1XXX or 950-0XXX access code for the customer's use in originating and terminating communications. A more detailed description of FGB Access is provided in E6.2.2 following.

C. Feature Group C (FGC)

FGC Access, which is available only to providers of MTS and WATS, provides trunk side access to Company end office switches for the customer's use in originating and terminating communications. This service is available in all end offices which are not equipped for Feature Group D End Office Switching. Existing FGC Access will be converted to Feature Group D Access when it becomes available in an end office. A more detailed description of FGC Access is provided in E6.2.3 following.

D. Feature Group D (FGD)

FGD Access, which is available to all customers, provides trunk side access to Company end office switches with an associated uniform 101XXXX access code for the customer's use in originating and terminating communications. A more detailed description of FGD Access is provided in E6.2.4 following.

Tariff Page revised 6/5/2006 to reflect company name change from Sprint to Embarq.

ACCESS SERVICE TARIFF

Embarq Florida, Inc.  
By: F. B. Poag, Director

First Revised Page 4  
Cancels Original Page 4

Effective: January 1, 1997

E6. SWITCHED ACCESS SERVICE

E6.1 General (Cont'd)

E6.1.1 Switched Access Service Arrangements and Manner of Provision  
(Cont'd)

E. Toll Free Code (TFC) Access Service

TFC Access Service is an originating service that is provided via TFC Access Service switched trunk groups, or may be provided in conjunction with FGB, FGC or FGD. The service provides for the forwarding of end user dialed TFC calls to a Company Service Switching Point (SSP) which will initiate a query to the Company's TFC data base to perform the customer identification function. The call is forwarded to the appropriate customer based on the dialed TFC number. The customer has the option of having the TFC dialed number (i.e., 8XX-NXX-XXXX) or, if the TFC to local exchange number translation optional feature is specified, a translated ten digit local exchange number (i.e., NPA-NXX-XXXX) delivered to the customer premises.

When TFC Access Service traffic is combined in the same trunk group arrangement with other traffic, usage for the TFC Access Service traffic will be aggregated with the other traffic for billing purposes. When separate trunk groups are provided for TFC Access Service, usage will be provided separately. A more detailed description of TFC Access Service is as set forth in E6.2.5.

F. 900 Access Service

900 Access Service is an originating service that is provided via 900 Access Service switched trunk groups, or may be provided in conjunction with FGB, FGC, or FGD. The service provides the customer identification function (900 NXX screening) based on the first six digits of the dialed 900 number. When a 1 + 900 + NXX + XXXX call is originated by an end user, a customer identification function determines the customer to which the call is to be routed based on the NXX dialed.

Tariff Page revised 6/5/2006 to reflect company name change from Sprint to Embarq.

ACCESS SERVICE TARIFF

Embarq Florida, Inc.  
By: F. B. Poag, Director

Second Revised Page 5  
Cancels First Revised Page 5

Effective: February 18, 1997

E6. SWITCHED ACCESS SERVICE

E6.1 General (Cont'd)

E6.1.1 Switched Access Service Arrangements and Manner of Provision  
(Cont'd)

F. 900 Access Service (Cont'd)

When a customer requests that the Company open a 900 NXX access code for exchanges served by the Company, the order must include the provisioning of all Company offices within the designated LATA or LATAs.

When 900 Access Service traffic is combined in the same trunk group arrangement with other traffic, usage for the 900 Access Service traffic will be aggregated with the other traffic for billing purposes. When separate trunk groups are provided for 900 Access Service, usage will be provided separately. A more detailed description of 900 Access Service is as set forth in E6.2.6.

G. Interim 500 Access Service

Interim 500 Access Service is an originating service that is provided via Interim 500 Access Service switched trunk groups, or may be provided in conjunction with FGC or FGD. The Service provides the customer identification function (500 NXX screening) based on the first six digits of the dialed 500 number. When a 1 + 500 + NXX + XXXX or 0 + 500 + NXX + XXXX call is originated by an end user, a customer identification function determines the customer to which the call is to be routed based on the NXX dialed.

When a customer requests that the Company open a 500 NXX access code for exchanges served by the Company, the order must include the provisioning of all Company offices within the designated LATA or LATAs.

When Interim 500 Access Service traffic is combined in the same trunk group arrangement with other traffic, usage for the Interim 500 Access Service traffic will be aggregated with the other traffic for billing purposes. When separate trunk groups are provided for Interim 500 Access Service, usage will be provided separately. A more detailed description of Interim 500 Access Service is as set forth in 6.2.7.

Tariff Page revised 6/5/2006 to reflect company name change from Sprint to Embarq.

## ACCESS SERVICE TARIFF

Embarq Florida, Inc.  
By: F. B. Poag, Director

Second Revised Page 6  
Cancels First Revised Page 6

Effective: February 18, 1997

### E6. SWITCHED ACCESS SERVICE

#### E6.1 General (Cont'd)

##### E6.1.1 Switched Access Service Arrangements and Manner of Provision (Cont'd)

###### H. Manner of Provision

Switched Access is furnished in quantities of either lines or trunks. FGA Access is furnished per-line basis, and FGB, FGC and FGD Access are furnished on a per-trunk basis.

Trunks are differentiated by type and directionality of traffic carried over a Switched Access arrangement. Differentiation of traffic is necessary for the Company to properly design Switched Access Service to meet the traffic carrying capacity requirement of the customer.

There are four major traffic types. These are: Originating, Terminating, Directory Assistance Inward Operator Services. The originating traffic type represents access capacity within a LATA for carrying traffic from the end user to the customer; the terminating traffic represents access capacity within a LATA for carrying traffic from the customer to the end user; the Directory Assistance traffic type represents access capacity within a LATA for carrying Directory Assistance traffic from customer to a Directory Assistance location; and the Inward Operator Services traffic type represents access capacity within a LATA for carrying Inward Operator Services traffic from customer to the Inward Operator Services location.

When ordering capacity for FGB Access, FGC Access or FGD Access the customer must, a minimum, specify such access capacity in terms of Originating traffic type and/or Terminating traffic type. Directory Assistance traffic type is used for ordering Directory Assistance Access Service as set forth in E9 following.

Because some customers will wish to further segregate their originating traffic into separate groups, Originating traffic type is further categorized into Domestic, TFC, Interim 500, 900 and Operator. Domestic traffic type represents access capacity for carrying only domestic traffic other than TFC, Interim 500, 900 and Operator traffic; and TFC, Interim 500, 900 and Operator traffic type represents access capacity for carrying, respectively, only TFC, Interim 500, 900 or Operator traffic. When ordering such types of access capacity, the customer must specify Domestic, Interim 500, 900 or Operator traffic type.

Tariff Page revised 6/5/2006 to reflect company name change from Sprint to Embarq.

ACCESS SERVICE TARIFF

Embarq Florida, Inc.  
**d/b/a CenturyLink**  
BY: Gary L. Kepley, Director

Second Revised Page 7  
Cancels First Revised Page 7

Effective: July 2, 2013

E6. SWITCHED ACCESS SERVICE

E6.1 General (Cont'd)

E6.1.2 WATS Access Line Service

WATS Access Line Service is provided only for use with Feature Groups C and D Switched Access Service. WATS Access Line Service connects an end user premises with a WATS or WATS-type serving office.

One way, inward or outward, "1+" and "0" intraLATA usage carried over **WATS** Access Line Service from this Tariff, having both intrastate and interstate capability (bijurisdictional) or from the Company's Access Service Tariff FCC #1 or other appropriate Local Exchange Carrier (LEC) interstate tariffs, will be completed over LEC facilities at LEC intraLATA WATS/TFC Service rates and subject to rules and regulations applicable to LEC **intrastate** WATS/TFC Services. The "1+" and "0" **intrastate** usage will be billed to the customer where the closed end of the bijurisdictional Dedicated WATS Access Line is terminated. Customer billing information must be provided to the Company at the time the bijurisdictional Dedicated **WATS** Access Line is ordered. Local calling, seven digit access to originating intrastate FGA and FGB Service and use of "700" dialed access is prohibited.

(C)  
(C)  
(C)  
(C)

ACCESS SERVICE TARIFF

Embarq Florida, Inc. **d/b/a CenturyLink**  
 BY: Chantel Bosworth, Director

4th Revised Page 8 (T)  
 Cancels 3rd Revised Page 8

Effective: July 1, 2021

E6. SWITCHED ACCESS SERVICE

E6.1 General (Cont'd)

E6.1.3 Rate Categories

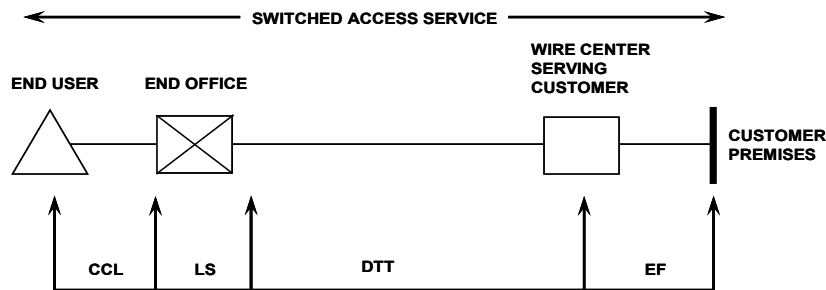
There are **four** rate categories which apply to Switched Access Service:

- Switched Transport (described in E6.1.3.B. following)
- Local Switching (described in E6.1.3.C following)
- WATS/Dedicated Access Line (described in E6.1.3.D following)
- Common Line (described in E3 preceding)

In addition to these five rate categories, there are charges that apply only to TFC Access Service, Interim 500 Access Service, and 900 Access Service. The description and application of TFC Access Service charges are set forth in E6.1.3.E., E6.2.5, E6.7.1.A.3.e., and E6.8.5. The description and application of 900 Access Service charges are set forth in E6.1.3.F., E6.2.6., E6.7.1.A.3.f., and E6.8.6. The description and application of 500 Access Service charges are set forth in E6.1.3.g, E6.2.7, E6.7.1.A.3.g, and E6.8.7 following.

The following diagrams depict a generic view of the components of Switched Access Service and the manner in which the components are combined to provide a complete access service.

(A) DIRECT-TRUNKED TRUNK SIDE SERVICES AND ORIGINATING LINE SIDE SERVICES



**Note:**  
 An exception to mileage measurement for originating line side services is set forth in 6.7.12 (Determining Switched Transport Mileage and Charges)

**CCL: CARRIER COMMON LINE**  
**LS: LOCAL SWITCHING**  
**DTT: DIRECT-TRUNKED TRANSPORT**  
**EF: ENTRANCE FACILITY**

ACCESS SERVICE TARIFF

Embarq Florida, Inc.  
By: F. B. Poag, Director

Second Revised Page 9  
Cancels First Revised Page 9

Effective: July 27, 2001

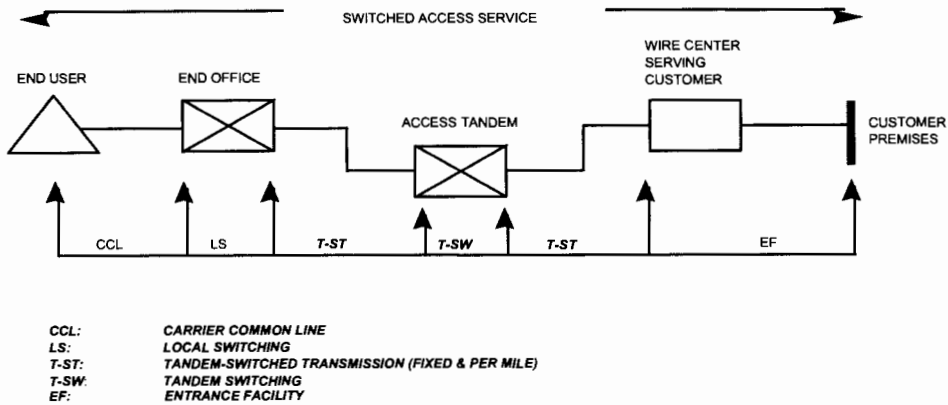
E6. SWITCHED ACCESS SERVICE

E6.1 General (Cont'd)

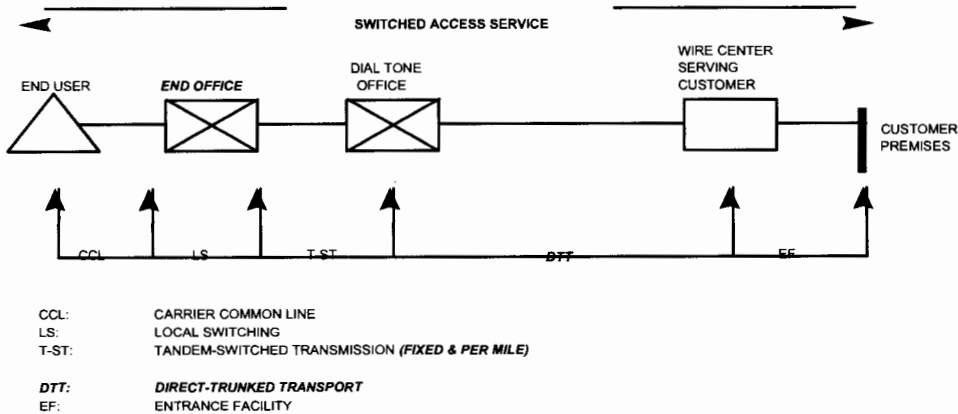
E6.1.3 Rate Categories (Cont'd)

The following diagrams depict generic views of the components of Switched Access Service and the manner in which the components are combined to provide a complete access service.

(B) TANDEM-SWITCHED TRUNK SIDE SERVICES



(C) TERMINATING LINE SIDE SERVICES



Tariff Page revised 6/5/2006 to reflect company name change from Sprint to Embarq.

ACCESS SERVICE TARIFF

Embarq Florida, Inc.  
By: F. B. Poag, Director

Second Revised Page 10  
Cancels First Revised Page 10

Effective: July 27, 2001

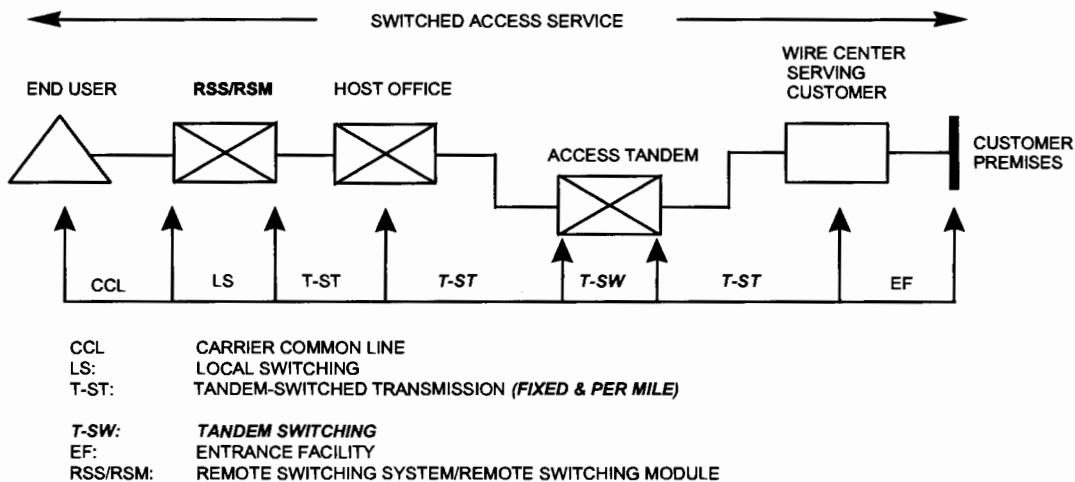
E6. SWITCHED ACCESS SERVICE

E6.1 General (Cont'd)

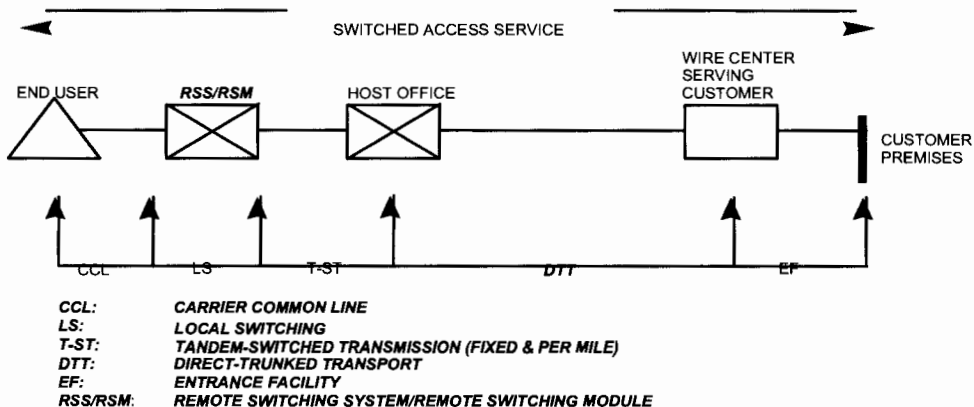
E6.1.3 Rate Categories (Cont'd)

The following diagrams depict a generic view of the components of Switched Access Service and the manner in which the components are combined to provide a complete access service.

(E) TANDEM-SWITCHED HOST/REMOTE ARRANGEMENTS



(D) DIRECT-TRUNKED HOST/REMOTE ARRANGEMENTS



Tariff Page revised 6/5/2006 to reflect company name change from Sprint to Embarq.



ACCESS SERVICE TARIFF

Embarq Florida, Inc.  
By: F. B. Poag, Director

First Revised Page 11  
Cancels Original Page 11

Effective: January 1, 1997

E6. SWITCHED ACCESS SERVICE

E6.1 General (Cont'd)

E6.1.3 Rate Categories (Cont'd)

A. Interconnection

The Interconnection rate element is assessed upon all customers for interconnecting with the Company's switched access network. The interconnection charge is usage rated and applied on a per access minute basis.

B. Switched Transport

The Switched Transport rate category provides the transmission facilities between the customer's premises and the end office switch(es) where the customer's traffic is switched to originate or terminate the customer's communications. For purposes of determining Switched Transport mileage, distance will be measured from the wire center that normally serves the customer's premises to the end office switch(es).

Switched Transport provides a one-way or two-way voice frequency transmission path composed of facilities determined by the Company. The two-way voice frequency transmission path permits the transport of calls in the originating direction (from the end user end office switch to the IC's terminal location) and in the terminating direction (from the IC's terminal location to the end office switch), but not simultaneously. The voice frequency transmission path may be comprised of any form or configuration of plant capable of and typically used in the telecommunications industry for the transmission of voice and associated telephone signals within the frequency bandwidth of approximately 300 to 3000 Hz.

Switched Transport is comprised of an Entrance Facility, Direct-Trunked Transport, Tandem-Switched Transport, and various optional features and functions. Descriptions of the Switched Transport components are provided in (1) through (3) following.

## ACCESS SERVICE TARIFF

Embarq Florida, Inc.  
By: .F. B. Poag, Director

Second Revised Page 12  
Cancels First Revised Page 12

Effective: October 16, 2002

### E6. SWITCHED ACCESS SERVICE

#### E6.1 General (Cont'd)

##### E6.1.3 Rate Categories (Cont'd)

##### B. Switched Transport (Cont'd)

##### 1. Entrance Facility

An Entrance Facility provides the communication path between a customer's premises and the Company's serving wire center for that premises. The Entrance Facility is dedicated to the use of a single customer and is available for use with all line side and trunk side Switched Access services. An Entrance Facility is provided even if the customer's premises and the serving wire center are located in the same building.

The Entrance Facility rate element includes the transmission medium of the facility as well as certain circuit equipment that is used at the end of the facility and employed to provision the channels on the transmission medium. The Entrance Facility rate element also includes an Interface Group, as set forth in E6.1.3.B.4. following, which defines the technical characteristics and types of signaling capability associated with the connection (i.e., voice grade, DS1 or DS3, STS1 or OptiPoint) that comprises the Entrance Facility. The following types of Entrance Facility are available:

## ACCESS SERVICE TARIFF

Embarq Florida, Inc.  
By: F. B. Poag, Director

Second Revised Page 13  
Cancels First Revised Page 13

Effective: January 4, 2002

### E6. SWITCHED ACCESS SERVICE

#### E6.1 General (Cont'd)

##### E6.1.3 Rate Categories (Cont'd)

#### B. Switched Transport (Cont'd)

##### 1. Entrance Facility (Cont'd)

##### a. Voice Grade Entrance Facility

Voice Grade Entrance Facility is provided in quantities of channels. Each Voice Grade channel provides voice frequency transmission capability in the nominal frequency range of 300 to 3000 hertz (Hz) and may be terminated two-wire or four-wire. When a single Voice Grade channel is ordered to be terminated at a customer's premises where the premises is all-digital and requires a minimum digital interface level of 1.544 Mbps, the Company will provide the required interface where facilities are available.

Technical Specifications for Voice Grade may be found in Technical Reference Publications TR-NWT000335 and MDP-326-584.

##### b. DS1 Entrance Facility

DS1 Entrance Facility provides 24 channels for the transmission of nominal 56 kbps or 1.544 Mbps isochronous serial data. The actual bit rate and framing format is a function of the channel interface selected by the customer.

Technical specifications for DS1 may be found in Technical Reference Publications GR-342 and GR-54.

Tariff Page revised 6/5/2006 to reflect company name change from Sprint to Embarq.

## ACCESS SERVICE TARIFF

Embarq Florida, Inc.  
By: F. B. Poag, Director

Fourth Revised Page 14  
Cancels Third Revised Page 14

Effective: October 16, 2002

### E6. SWITCHED ACCESS SERVICE

#### E6.1 General (Cont'd)

##### E6.1.3 Rate Categories (Cont'd)

#### B. Switched Transport (Cont'd)

##### 1. Entrance Facility (Cont'd)

##### c. DS3 Entrance Facility (Cont'd)

DS3 Entrance Facility provides 28 DS1s or 672 channels for the transmission of nominal 44.736 Mbps isochronous serial data. With DS3, an interface which provides an electrical signal with a transmission speed of 44.736 Mbps per channel will be installed at the customer's premises.

Technical Specifications for DS3 may be found in Technical Reference Publication GR-342.

##### d. STS1 Entrance Facility

Synchronous Transport Signal Level 1 (STS1) channels provide for the SONET transmission of 51,84 Mbps of data. The signal consists of overhead and a Synchronous Payload Envelope (SPE). The overhead portion of the signal is used for controlling, framing and maintaining the signal. The SPE contains the customer information.

STS1 is provisioned over the Telephone Company's SONET network and may be configured as a stand alone two-point service or connected to an OC level SONET service (e.g., switched OptiPoint Service) or hubbed to an STS1/DS1 Multiplexer.

Customers ordering STS1 service must specify the interface requested (i.e., STS1 interface or DS3 interface) and how the signal is to be formatted (i.e., STS1, STS1 with VT1.5 mapping, or STS1 with DS3 mapping). An STS1 with VT1.5 mapping can be multiplexed to 28 DS1s using the STS1/DS1 Multiplexing optional feature set forth in E6.1.3B.8 following. Virtual Tributary (VT) mapping is a SONET structure designed for the transport of sub-STS1 payloads. A DS1 is mapped into the SONET format using a VT1.5 as a packaging mechanism that is internal to the SONET signal.

Tariff Page revised 6/5/2006 to reflect company name change from Sprint to Embarq.

## ACCESS SERVICE TARIFF

Embarq Florida, Inc.  
By: F. B. Poag, Director

First Revised Page 14.1  
Cancels Original Page 14.1

Effective: October 16, 2002

### E6. SWITCHED ACCESS SERVICE

#### E6.1 General (Cont'd)

##### E6.1.3 Rate Categories (Cont'd)

#### B. Switched Transport (Cont'd)

##### 1. Entrance Facility (Cont'd)

##### d. STS1 Entrance Facility (Cont'd)

Current SONET standards do not provide for asynchronous DS3 to DS1 multiplexing. An STS1 may be mapped for either one DS3 or 28 DS1s. However, individual DS1s within a DS3 are not accessible within the SONET architecture, and their performance cannot be guaranteed for this reason. When the customer requests that an STS1 be mapped as a DS3 multiplexed to the DS1 level, a DS3 to DS1 multiplexing arrangement, as set forth in E6.1.3B.8 following will be required.

STS1 Entrance Facility rates may vary based on distance. The mileage used to determine the monthly rate for entrance facilities located outside a Telephone Company Central Office is the airline distance between the customer's designated premises and the Telephone Company serving wire center. The mileage measurement is determined by utilizing exchange maps and mileage tables located in designated Telephone Company offices for such purposes.

STS1 Service is provided where SONET facilities are available with sufficient bandwidth capacity to meet the customer's request.

##### e. OptiPoint Entrance Facilities

OptiPoint entrance facilities provide point-to-point high speed synchronous optical fiber-based full duplex data transmission capabilities. A detailed service description for OptiPoint Services is set forth in E6.2.8 following.

##### 2. Direct-Trunked Transport

Direct-Trunked Transport provides the communication path between the serving wire center of a customer's premises and an end office or between the serving wire center and an access tandem when transport from the access tandem to the end office is routed on circuits used in common by multiple access customers. Direct-Trunked Transport is dedicated to the use of a single customer and does not require switching at an access tandem. Direct-Trunked Transport is available for use with all line side and trunk side Switched Access Services.

Direct-Trunked Transport is not available to end offices that lack recording and measuring capabilities needed to provide Direct-Trunked Transport. Direct-Trunked Transport is also not available for TFC Access Service when the required SSP function is located at the access tandem.

Tariff Page revised 6/5/2006 to reflect company name change from Sprint to Embarq.

ACCESS SERVICE TARIFF

Embarq Florida, Inc. **d/b/a CenturyLink**  
BY: Chantel Bosworth, Director

3rd Revised Page 15  
Cancels 2nd Revised Page 15

(T)

Effective: July 1, 2021

E6. SWITCHED ACCESS SERVICE

E6.1 General (Cont'd)

E6.1.3 Rate Categories (Cont'd)

B. Switched Transport (Cont'd)

2. Direct-Trunked Transport (Cont'd)

Direct-Trunked Transport provides for the transmission facilities between the Company's serving wire center and an end office when such facilities are not switched through an access tandem or between the Company's serving wire center and the access tandem. This includes the transmission medium itself as well as certain circuit equipment that is used at the ends of the interoffice links and employed to provision the channels on the transmission medium and circuit equipment used within the network to manage the circuits at intermediate locations.

Direct-Trunked Transport also provides for the transmission facilities between the Company's serving wire center and a hub that interconnects facilities for both Tandem-Switched Transmission and Direct-Trunked Transport.

The Company applies a 50% billing percentage to the Direct-Trunked Transport termination (fixed) rate on jointly-owned circuits and applies 100% on wholly-owned circuits. When the Direct-Trunked Transport facility (per mile) is zero (i.e., collocated serving wire centers), neither the Direct-Trunked Transport facility (per mile) rate nor the Direct-Trunked Transport termination (fixed) rate will apply.

3. Tandem-Switched Transport

Tandem-Switched Transport provides the communication path between the access tandem and an end office that subtends that tandem and includes tandem switching functions. Tandem-Switched Transport is available for use with all trunk side Switched Access services. Tandem-Switched Transport is not available for use with line side Switched Access services.

**Effective July 1, 2021, as established in the 8YY Access Charge Reform (FCC 20-143), existing tandem switching charges and transport charges for originating 8YY traffic are eliminated and a single joint tandem switched access service rate element for 8YY originating access service is established. The 8YY originating Joint Tandem Switched Transport rate is provided at the rates set forth in Section 6.8.2.C.6.**

(N)  
|  
(N)

ACCESS SERVICE TARIFF

Embarq Florida, Inc. d/b/a CenturyLink  
By: Christy V. Londerholm, Director

Third Revised Page 16  
Cancels Second Revised Page 16

Effective: July 1, 2017

E6. SWITCHED ACCESS SERVICE

E6.1 General (Cont'd)

E6.1.3 Rate Categories (Cont'd)

B. Switched Transport (Cont'd)

3. Tandem-Switched Transport (Cont'd)

***For examples of Tandem-Switched Transport see Section E2.4.8 preceding.*** Tandem-Switched Transport provides for the transmission facilities between the access tandem and an end office that subtends the tandem. Tandem-Switched Transport is composed of two sub-elements: (N)  
(N)

- a. Tandem-Switched Transmission, which provides for the transmission facilities from the Company's access tandem switch to an end office subtending that tandem. This includes the transmission medium itself as well as certain circuit equipment that is used at the ends of the interoffice links and employed to derive the channels on the transmission medium, and circuit equipment used within the network to manage the circuits at intermediate locations.

The Company applies a 50% billing percentage to the Tandem-Switched Transport termination (fixed) rate on jointly-owned circuits, and applies 100% on wholly-owned circuits. When the Tandem-Switched Transport facility is zero (i.e., collocated serving wire centers), neither the Tandem-Switched Transport facility (per mile) rate nor the Tandem-Switched Transport termination (fixed) rate will apply.

- b. Tandem Switching, which provides for use of the Company's access tandem.

## ACCESS SERVICE TARIFF

Embarq Florida, Inc.  
By: F. B. Poag, Director

Fourth Revised Page 17  
Cancels Third Revised Page 17

Effective: October 16, 2002

### E6. SWITCHED ACCESS SERVICE

#### E6.1 General (Cont'd)

##### E6.1.3 Rate Categories

##### B. Switched Transport (Cont'd)

##### 3. Tandem-Switched Transport (Cont'd)

In addition, when the customer has ordered Feature Group D in association with switched digital 56 Kbps services switching capability feature as set forth in 4.d. following, the Company will provide only from facilities that are suitably equipped to support 56 Kbps digital data.

Switched Transport is provided at the rates and charges set forth in E6.8.2. following. The application of these rates with respect to individual Switched Access Service Arrangements is as set forth in E6.7.1. following.

##### 4. Interface Groups

Four interface groups are provided for terminating an Entrance Facility at the customer's premises. Interface groups define the transmission characteristics associated with the Entrance Facility and all transport facilities with which it is interconnected.

Network Channel (NC) codes, feature group and technical specifications provide the available supervisory signaling options. The combination of the interface group and supervisory signaling ordered will identify the appropriate premises interface code (network channel interface code). Feature group and technical specifications are set forth in Technical Reference Publication GR-3334.

Depending upon the interface group chosen by the customer, multiplexing arrangements may also be required. When the customer requests interconnection of an Entrance Facility to a Direct-Trunked Transport or Tandem-Switched Transport, and the interconnecting facilities use connections with different capacities or bandwidths, multiplexing arrangements are required to provide the interconnection. A multiplexing arrangement is also required to interconnect certain facilities with specific switch types. Multiplexing is available as set forth in E6.1.3.B.8. following.

Tariff Page revised 6/5/2006 to reflect company name change from Sprint to Embarq.



ACCESS SERVICE TARIFF

Embarq Florida, Inc.  
By: F. B. Poag, Director

Second Revised Page 18  
Cancels First Revised Page 18

Effective: August 8, 2000

E6. SWITCHED ACCESS SERVICE

E6.1 General (Cont'd)

E6.1.3 Rate Categories (Cont'd)

B. Switched Transport (Cont'd)

4. Interface Groups (Cont'd)

As a result of the customer's access order and the type of Company transport facilities serving the customer's premises, the need for signaling conversions or two-wire to four-wire conversions, or the need to terminate digital or high frequency facilities in channel bank equipment may require that Company equipment be placed at the customer's premises. For example, if a voice frequency interface is ordered by the customer and the Company facilities serving the customer's premises are digital, then Company channel bank equipment must be placed at the customer's premises in order to provide the voice frequency interface ordered by the customer.

Interface Group 1 is provided with Type C Transmission Specifications and Interface Groups 2, 6 and 9 are provided with Type A or B Transmission Specifications, depending on the Feature Group and whether the access service is routed directly or through an access tandem. All Interface Groups are provided with Data Transmission Parameters.

Only certain premises interfaces are available at the customer's premises. The premises interfaces associated with the Interface Groups may vary among Feature Groups. The various premises interfaces which are available with the Interface Groups, and the Feature Groups with which they may be used, are set forth in E6.1.3.B.5. following.

a. Interface Group 1

Interface Group 1, except as set forth in the following, provides two-wire voice frequency transmission at the point of interface at the customer's premises. The interface is capable of transmission of voice and associated telephone signals within the frequency bandwidth of approximately 300 to 3000 Hz.

Tariff Page revised 6/5/2006 to reflect company name change from Sprint to Embarq.

ACCESS SERVICE TARIFF

Embarq Florida, Inc.  
By: F. B. Poag, Director

Second Revised Page 19  
Cancels First Revised Page 19

Effective: August 8, 2000

E6. SWITCHED ACCESS SERVICE

E6.1 General (Cont'd)

E6.1.3 Rate Categories (Cont'd)

B. Switched Transport (Cont'd)

4. Interface Groups (Cont'd)

Interface Group 1 is not provided in association with FGC and FGD when the first point of switching is an access tandem. In addition, Interface Group 1 is not provided in association with FGB, FGC or FGD when the first point of switching provides only four-wire terminations.

The transmission path between the point of termination at the customer's premises and the first point of switching may be comprised of any form or configuration of plant capable of and typically used in the telecommunications industry for the transmission of voice and associated telephone signals within the frequency bandwidth of 300 to 3000 Hz.

The interface is provided with loop supervisory signaling. When the interface is associated with FGA, such signaling will be loop start or ground start signaling. When the interface is associated with FGB, FGC or FGD, such signaling, except for two-way calling which is E&M signaling, will be reverse battery signaling.

b. Interface Group 2

Interface Group 2 provides four-wire voice frequency transmission at the point of termination at the customer's premises. The interface is capable of transmission of voice and associated telephone signals within the frequency bandwidth of approximately 300 to 3000Hz.

Tariff Page revised 6/5/2006 to reflect company name change from Sprint to Embarq.

ACCESS SERVICE TARIFF

Embarq Florida, Inc.  
By: F. B. Poag, Director

Second Revised Page 20  
Cancels First Revised Page 20

Effective: August 8, 2000

E6. SWITCHED ACCESS SERVICE

- E6.1 General (Cont'd)
- E6.1.3 Rate Categories (Cont'd)
  - B. Switched Transport (Cont'd)
    - 4. Interface Groups (Cont'd)
      - b. Interface Group 2 (Cont'd)

The transmission path between the point of termination at the customer's premises and the first point of switching may be comprised of any form or configuration of plant capable of and typically used in the telecommunications industry for the transmission of voice and associated telephone signals within the frequency bandwidth of approximately 300 to 3000 Hz.

The interface is provided with loop supervisory signaling. When the interface is associated with FGA, such signaling will be loop start or ground start signaling. When the interface is associated with FGB, FGC or FGD, such signaling, except for two-way calling which is E&M signaling, will be reverse battery signaling.

ACCESS SERVICE TARIFF

Embarq Florida, Inc.  
By: F. B. Poag, Director

Second Revised Page 21  
Cancels First Revised Page 21

Effective: August 8, 2000

E6. SWITCHED ACCESS SERVICE

E6.1 General (Cont'd)

E6.1.3 Rate Categories (Cont'd)

B. Switched Transport (Cont'd)

4. Interface Groups (Cont'd)

c. Interface Group 6

Interface Group 6 provides DS1 level digital transmission at the point of termination at the customer's premises location. The interface is capable of transmitting electrical signals at a nominal 1.544 Mbps, with the capability to channelize up to 24 voice frequency transmission paths.

Before the first point of switching, when analog switching utilizing analog terminations is provided, the Company will provide multiplex and channel bank equipment to derive 24 transmission paths of a frequency bandwidth of approximately 300 to 3000 Hz. When digital switching or analog switching with digital carrier terminations is provided, the Company will provide, at the first point of switching, a DS1 signal in D3/D4 format.

Tariff Page revised 6/5/2006 to reflect company name change from Sprint to Embarq.

ACCESS SERVICE TARIFF

Embarq Florida, Inc.  
By: F. B. Poag, Director

Second Revised Page 22  
Cancels First Revised Page 22

Effective: August 8, 2000

E6. SWITCHED ACCESS SERVICE

E6.1 General (Cont'd)

E6.1.3 Rate Categories (Cont'd)

B. Switched Transport (Cont'd)

4. Interface Groups (Cont'd)

c. Interface Group 6 (Cont'd)

The interface is provided with individual transmission path bit stream supervisory signaling.

d. Interface Group 9

Interface Group 9 provides DS3 level digital transmission at the point of termination at the customer's premises. The interface is capable of transmitting electrical signals at a nominal 44.736 Mbps, with the capability to channelize up to 672 voice frequency transmission paths. Before the first point of switching, when analog switching utilizing analog terminations is provided, the Company will provide multiplex and channel bank equipment to derive up to 672 transmission paths of a frequency bandwidth of approximately 300 to 3000 Hz. When digital switching, or analog switching with digital carrier terminations is provided, the Company will provide, at the first point of switching, DS1 signals in D3/D4 format.

The interface is provided with individual transmission path bit stream supervisory signaling.

5. Available Premises Interface Codes

Following is a matrix showing, for each Interface Group, which premises interface codes are available as a function of the Company switch supervisory signaling and Feature Group. Voice trunks are available with Interface Groups 1-2, 6 and 9. Signaling links are available with Interface Groups 6 and 9. For explanations of these codes, Glossary in B.6.b. following.

Tariff Page revised 6/5/2006 to reflect company name change from Sprint to Embarq.

ACCESS SERVICE TARIFF

Embarq Florida, Inc.  
By: F. B. Poag, Director

Second Revised Page 23  
Cancels First Revised Page 23

Effective: August 8, 2000

E6. SWITCHED ACCESS SERVICE

E6.1 General (Cont'd)

E6.1.3 Rate Categories (Cont'd)

B. Switched Transport (Cont'd)

5. Available Premises Interface Codes (Cont'd)

	Company Switch Supervisory Signaling	Premises Interface Code	Feature Group			
			A	B	C	D
a. Interface Group 1						
	LO	2LS2	X			
	LO	2LS3	X			
	GO	2GS2	X			
	GO	2GS3	X			
	RV, EA, EB, EC	2DX3		X	X	X
	RV, EA, EB, EC	4EA2-E		X	X	X
	RV, EA, EB, EC	4EA3-E		X	X	X
	RV, EA, EB, EC	4EA2-M		X	X	X
	RV, EA, EB, EC	4EA3-M		X	X	X
	RV, EA, EB, EC	6EB2-E		X	X	X
	RV, EA, EB, EC	6EB3-E		X	X	X
	RV, EA, EB, EC	6EB2-M		X	X	X
	RV, EA, EB, EC	6EB3-M		X	X	X
	EA, EB, EC	6EC2			X	X
	EA, EB, EC	6EC3			X	X
	RV	2RV3-O		X	X	X
	RV	2RV3-T		X	X	X
	CCS	2NO2				X
b. Interface Group 2						
	LO, GO	4SF2		X		
	LO	4LS2		X		
	GO	4GS2		X		

Tariff Page revised 6/5/2006 to reflect company name change from Sprint to Embarq.

ACCESS SERVICE TARIFF

Embarq Florida, Inc.  
By: F. B. Poag, Director

Second Revised Page 24  
Cancels First Revised Page 24

Effective: August 8, 2000

E6. SWITCHED ACCESS SERVICE

E6.1 General (Cont'd)

E6.1.3 Rate Categories (Cont'd)

B. Switched Transport (Cont'd)

5. Available Premises Interface Codes (Cont'd)

Company Switch Supervisory Signaling	Premises Interface Code	Feature Group			
		A	B	C	D
b. Interface Group 2 (Cont'd)					
LO,GO	6EX2-B	X			
RV,EA,EB,EC	4SF2	X	X	X	
RV,EA,EB,EC	4DX2		X	X	X
RV,EA,EB,EC	6DX2		X	X	X
RV,EA,EB,EC	6EA2-E		X	X	X
RV,EA,EB,EC	6EA2-M		X	X	X
RV,EA,EB,EC	8EB2-E		X	X	X
RV,EA,EB,EC	8EB2-M		X	X	X
EA,EB,EC	8EC2-M			X	X
RV	4RV2-O		X	X	X
RV	4RV2-T		X	X	X
CCS	4NO2				X
c. Interface Group 6					
LO,GO	4DS9-15	X			
LO,GO	4DS9-15L	X			
RV,EA,EB,EC	4DS9-15		X	X	X
RV,EA,EB,EC	4DS9-15L		X	X	X
CCS	4DS9-15				X
CCS	4DS9-1SN				X
CCS	4DS9-1BN				X
CCS	4DS9-15B				X

Tariff Page revised 6/5/2006 to reflect company name change from Sprint to Embarq.

ACCESS SERVICE TARIFF

Embarq Florida, Inc.  
By: F. B. Poag, Director

Third Revised Page 25  
Cancels Second Revised Page 25

Effective: April 25, 2002

E6. SWITCHED ACCESS SERVICE

E6.1 General (Cont'd)

E6.1.3 Rate Categories (Cont'd)

B. Switched Transport (Cont'd)

5. Available Premises Interface Codes (Cont'd)

	Company Switch Supervisory <u>Signaling Code</u>	Premises Interface	<u>Feature Group</u>			
			<u>A</u>	<u>B</u>	<u>C</u>	<u>D</u>
d.	Interface Group 9					
	LO,GO	4DS6-44	X			
	LO,GO	4DS6-44L	X			
	RV,EA,EB,EC	4DS6-44		X	X	X
	RV,EA,EB,EC	4DS6-44L		X	X	X
	CCS	4DS6-44				X

Tariff Page revised 6/5/2006 to reflect company name change from Sprint to Embarq.



ACCESS SERVICE TARIFF

Embarq Florida, Inc.  
By: F. B. Poag, Director

First Revised Page 26  
Cancels Original Page 26

Effective: January 1, 1997

E6. SWITCHED ACCESS SERVICE

E6.1 General (Cont'd)

E6.1.3 Rate Categories (Cont'd)

B. Switched Transport (Cont'd)

6. Premises Interface Codes

- a. This paragraph explains the facility interface codes set forth in 2. preceding that the customer can specify when ordering Switched Access Service. Included is an example which explains the specific characters of the code, a glossary of premises interface codes and impedance levels.

Example: If the customer specifies a 4EA3-E premises interface at the customer terminal location, it is requesting the following:

4 Number of Physical wires at customer's premises  
EA Premises interface code for Type I, E&M lead signaling  
3 Impedance  
E Customer at point of interface or end user at network interface

- b. Glossary of Premises Interface Codes and Options

AH Analog high capacity interface  
- B 60 KHz to 108 KHz (12 channels)  
- C 312 KHz to 552 KHz (60 channels)  
- D 564 KHz to 3084 KHz (600 channels)

Tariff Page revised 6/5/2006 to reflect company name change from Sprint to Embarq.

ACCESS SERVICE TARIFF

Embarq Florida, Inc.  
By: F. B. Poag, Director

First Revised Page 27  
Cancels Original Page 27

Effective: January 1, 1997

E6. SWITCHED ACCESS SERVICE

E6.1 General (Cont'd)

E6.1.3 Rate Categories (Cont'd)

B. Switched Transport (Cont'd)

6. Premises Interface Codes (Cont'd)

b. Glossary of Premises Interface Codes and Options (Cont'd)

DS Digital hierarchy interface  
- 15 1.544 Mbps (DS1) format per PUB 41451 plus D4  
- 15L 1.544 Mbps (DS1) with SF signaling  
- 44 44.736 Mbps (DS3)  
- 44L 44.736 Mbps (DS3) with SF signaling  
DX Duplex signaling interface at customer point of termination  
EA Type I, E&M lead signaling.  
- E IC at point of interface or end user at network interface originates on E lead.  
- M IC at point of termination or end user at network interface originates on M lead.  
EB Type II, E&M lead signaling.  
- E IC at point of termination or end user at network interface originates on E lead.  
- M IC at point of termination or end user at network interface originates on M lead.  
EC Type III, E&M signaling at IC point of termination.  
EX Tandem channel unit signaling for loop start or ground start.  
- A Customer supplies open end (dial pulsing, etc.) functions.  
- B Customer supplies closed end (dial pulsing, etc.) functions.  
GS Ground start loop signaling - closed end functions by customer.  
LS Loop start loop signaling - closed end functions by customer.  
RV Reverse battery signaling  
- O One way operation, originate by customer.  
- T One way operation, terminate function by customer.  
SF Single frequency signaling within VF band at either customer point of termination or end user network interface

Tariff Page revised 6/5/2006 to reflect company name change from Sprint to Embarq.

ACCESS SERVICE TARIFF

Embarq Florida, Inc.  
 By: F. B. Poag, Director

First Revised Page 28  
 Cancels Original Page 28

Effective: January 1, 1997

E6. SWITCHED ACCESS SERVICE

E6.1 General (Cont'd)

E6.1.3 Rate Categories (Cont'd)

B. Switched Transport (Cont'd)

6. Premises Interface Codes (Cont'd)

c. Impedance

The nominal reference impedance with which the channel will be terminated for the purposes of evaluating transmission performance.

<u>Value (ohms)</u>	<u>Code(s)</u>
110	0
600	2
900	3
135	5
75	6
100	9

d. Digital Hierarchy Facility Interface Codes

This premises interface is available only to customers that select the multiplexed four-wire DSX-1 or higher facility interface option at the customer's premises and provide subsequent system and channel assignment data.

The various digital bit rates in the digital hierarchy employ the facility interface code 4DS9, 4DS0 or 4DS6 plus the speed options indicated below:

<u>Interface Code and Speed Option</u>	<u>Nominal Bit Rate (Mbps)</u>	<u>Digital Hierarchy Level</u>
4DS9-15	1.544	DS1
4DS9-15L	1.544	DS1
4DS-44	44.736	DS3
4DS6-44L	44.736	DS3

Tariff Page revised 6/5/2006 to reflect company name change from Sprint to Embarq.

ACCESS SERVICE TARIFF

Embarq Florida, Inc.  
By: F. B. Poag, Director

Second Revised Page 29  
Cancels First Revised Page 29

Effective: August 8, 2000

E6. SWITCHED ACCESS SERVICE

- E6.1 General (Cont'd)
- E6.1.3 Rate Categories (Cont'd)
  - B. Switched Transport (Cont'd)
    - 7. Nonchargeable Optional Features

Where transmission facilities permit, the Company will, at the option of the customer, provide the following nonchargeable optional features in association with the interface groups listed in E6.1.3.B.4.(a)-(d) preceding. Only those interface groups referenced with each optional feature will be provided with that feature. The optional features are provided as set forth in E6.8.2.D. following.

a. Supervisory Signaling

Where the transmission parameters permit, and where signaling conversion is required by the customer to meet its signaling capability, the customer may order an optional supervisory signaling arrangement for each transmission path provided as follows:

For Interface Groups 1 and 2:

DX Supervisory Signaling,  
E&M Type I Supervisory Signaling,  
E&M Type II Supervisory Signaling, or  
E&M Type III Supervisory Signaling

For Interface Group 2:

SF Supervisory Signaling or  
Tandem Supervisory Signaling

For Interface Groups 6 and 9:

These Interface Groups may, at the option of the customer, be provided with individual transmission path SF supervisory signaling where such signaling is available in Company central offices. Generally such signaling is available only where the entry switch provides an analog, i.e., non digital, interface to the transport termination. These Supervisory Signaling arrangements are not available in combination with the SS7 Signaling feature described in E6.3.1.Z following.

Tariff Page revised 6/5/2006 to reflect company name change from Sprint to Embarq.

## ACCESS SERVICE TARIFF

Embarq Florida, Inc.  
By: F. B. Poag, Director

Fourth Revised Page 30  
Cancels Third Revised Page 30

Effective: April 25, 2002

### E6. SWITCHED ACCESS SERVICE

#### E6.1 General (Cont'd)

##### E6.1.3 Rate Categories (Cont'd)

#### B. Switched Transport (Cont'd)

##### 7. Nonchargeable Optional Features (Cont'd)

#### b. Customer Specified Entry Switch Receive Level

This feature allows the customer to specify the receive transmission level at the first point of switching. The range of transmission levels which may be specified is described in Technical Reference Publication GR-3334. This feature is available with Interface Groups 2, 6 and 9 for Feature Groups A and B.

#### c. Customer Specification of Switched Transport Termination

This option allows the customer to specify, for Feature Group B routed directly to an end office or access tandem, a four-wire termination of the Switched Transport at the entry switch in lieu of a Company selected two-wire termination. This option is available only when the Feature Group B arrangement is provided with Type B Transmission Specifications.

Tariff Page revised 6/5/2006 to reflect company name change from Sprint to Embarq.

## ACCESS SERVICE TARIFF

Embarq Florida, Inc.  
By: F. B. Poag, Director

Second Revised Page 31  
Cancels First Revised Page 31

Effective: October 16, 2002

### E6. SWITCHED ACCESS SERVICE

#### E6.1 General (Cont'd)

##### E6.1.3 Rate Categories (Cont'd)

##### B. Switched Transport (Cont'd)

##### 8. Chargeable Optional Features

##### Multiplexing

Multiplexing provides for arrangements to convert a single higher capacity or bandwidth circuit for bulk transport to several lower capacity or bandwidth circuits. Multiplexing is only available at Company designated Hubs arranged for multiplexing. All types of multiplexing may not be available at each Hub location.

Listed below are the multiplexing arrangements offered with switched access.

##### DS1 to Voice

An arrangement that multiplexes twenty-four voice grade circuits to single DS1 digital circuit at a rate of 1.544 Mbps, or multiplexes a single DS1 digital circuit at a rate of 1.544 Mbps to twenty-four voice grade circuits.

##### DS3 to DS1

An arrangement that multiplexes twenty-eight DS1 digital circuits to a single DS3 digital circuit at a rate of 44.736 Mbps, or multiplexes a single DS3 digital circuit at a rate of 44.736 Mbps to twenty-eight DS1 digital circuits.

##### STS1/DS1 Multiplexing

An arrangement that provides transport of sub-STs1 payloads by converting an STs1 with VT1.5 mapping to 28 DS1s. The STs1/DS1 Multiplexing feature is available at Telephone Company provided fiber optic terminals equipped with VT1.5 configuration cards.

Tariff Page revised 6/5/2006 to reflect company name change from Sprint to Embarq.

ACCESS SERVICE TARIFF

Embarq Florida, Inc.  
By: F. B. Poag, Director

First Revised Page 32  
Cancels Original Page 32

Effective: January 1, 1997

E6. SWITCHED ACCESS SERVICE

E6.1 General (Cont'd)

E6.1.3 Rate Categories (Cont'd)

B. Switched Transport (Cont'd)

9. Common Channel Signaling/Signaling System 7 (CCS/SS7)  
Interconnection Service

a. General

Common Channel Signaling/Signaling System 7 (CCS/SS7) Interconnection Service, which is available to customers for their use in furnishing their services to end users, provides a signaling path between a customer designated premises and a Company Interconnecting Signaling Transfer Point (STP). CCS/SS7 Interconnection Service, through the use of this two-way signaling path, provides customer interconnection with the Company's CS/SS7 network allowing the customer to obtain data relevant to the completion of the originating end user's call. CCS/SS7 Interconnection Service provides connection to the Company interconnecting STPs only. CCS/SS7 Interconnection Service may be utilized in conjunction with the following Company provided services requiring CCS/SS7 connectivity: SS7 Signaling.

Rate application for CCS/SS7 Interconnection Service is described in E6.7.1 following. Rates and charges for CCS/SS7 Interconnection Service are contained in E6.8.2.I. following.

## ACCESS SERVICE TARIFF

Embarq Florida, Inc.  
By: F. B. Poag, Director

Second Revised Page 33  
Cancels First Revised Page 33

Effective: January 4, 2002

### E6. SWITCHED ACCESS SERVICE

#### E6.1 General (Cont'd)

##### E6.1.3 Rate Categories (Cont'd)

##### B. Switched Transport (Cont'd)

##### 9. Common Channel Signaling/Signaling System 7 (CCS/SS7) Interconnection Service (Cont'd)

##### b. Manner of Provisioning

The link facilities for CCS/SS7 Interconnection Service will consist of a 56.0 kbps circuit or an optional DS1 (1.544 Mbps) channel at the customer designated premises multiplexed at a Company designated Hub to a 56.0 kbps circuit for interconnection at the Company STP port.

CCS/SS7 Interconnection Service provided over 56.0 kbps channels will conform with technical specifications described in E7.2.3.B and the compatible channel interfaces set forth in E7.2.3.C following. CCS/SS7 Interconnection Service provided over DS1 (1.544 Mbps) facilities will conform with the technical specifications described in E7.2.4.B and the compatible channel interfaces set forth in E7.2.4.C following.

Rates and charges for the CCS/SS7 Access Link (service termination, channel mileage and DS1 to DSO multiplexing) and STP Port are contained in E6.8.2.I. following.

In order to ensure network availability and reliability, the Company's CCS/SS7 Interconnection Service is supported by a pair of interconnecting STPs as outlined in Technical Reference Publication GR-905. The Company shall not be liable for service outages if the customer employs technology related to the interconnection of signaling networks that does not adhere to generally accepted industry technical standards.

When CCS/SS7 Interconnection Service is provisioned for use with data base services, interconnection must occur through physically diverse facilities to the Company's STPs. Such provisioning allows for the diversity of link facilities required by the Company and serves as a protective measure should interconnecting STP or CCS/SS7 Interconnection service failure occur.

Tariff Page revised 6/5/2006 to reflect company name change from Sprint to Embarq.



ACCESS SERVICE TARIFF

Embarq Florida, Inc.  
By: F. B. Poag, Director

Second Revised Page 34  
Cancels First Revised Page 34

Effective: October 26, 2001

E6. SWITCHED ACCESS SERVICE

E6.1 General (Cont'd)

E6.1.3 Rate Categories (Cont'd)

B. Switched Transport (Cont'd)

9. Common Channel Signaling/Signaling System 7 (CCS/SS7)  
Interconnection Service (Cont'd)

b. Manner of Provisioning (Cont'd)

When CCS/SS7 Interconnection Service is provisioned for use with SS7 Signaling, interconnection between signaling networks must occur at the STP pairs for the corresponding jurisdiction as shown below:

Mated STP Pair Location

United Telephone: Altamonte Springs and Winter Park, Florida

Central Telephone: Tallahassee (222) and Tallahassee (385), Florida

C. Local Switching

The Local Switching rate element provides for the use of end office switching equipment.

Local Switching use is measured on an originating and terminating basis. The rate is applied on a total number of access minutes of use basis, as set forth in E6.8.3 A. following.

Tariff Page revised 6/5/2006 to reflect company name change from Sprint to Embarq.

ACCESS SERVICE TARIFF

Embarq Florida, Inc  
**d/b/a CenturyLink**  
BY: Gary L. Kepley, Director

Fourth Revised Page 35 (T)  
Cancels Third Revised Page 35

Effective: July 2, 2013

E6. SWITCHED ACCESS SERVICE

E6.1 General (Cont'd)

E6.1.3 Rate Categories (Cont'd)

C. Local Switching (Cont'd)

- (1) Local Switching provides the local end office switching functions associated with the various access (i.e., Feature Group, TFC Access Service, Interim 500 Access Service, and 900 Access Service) switching arrangements and for the termination to the customer lines terminating in the local end office. The Local Switching arrangements provided for the various Feature Group arrangements are described in E6.2 following. (T)
- (2) ***The intercept function informs a caller why a call, as dialed, could not be completed, and if possible, provides the caller with information required to complete the call.*** (C)
- (3) ***The premium charge is divided into two distinct categories, i.e., LS1 and LS2. The first category, LS1, provides local dial switching for Feature Groups A and B when the traffic originates from or terminates at an equal access end office. The second category, LS2, provides local dial switching for Feature Groups C and D.*** (C)
- (4) Included as part of Local Switching are various nonchargeable optional features which the customer can order to meet its specific communications requirements. These optional features are described in E6.3 following. (T)

Embarq Florida, Inc.  
**d/b/a CenturyLink**  
BY: Gary L. Kepley, Director

Second Revised Page 36  
Cancels 1st Revised Page 36

(T)

Effective: July 2, 2013

E6. SWITCHED ACCESS SERVICE

E6.1 General (Cont'd)

E6.1.3 Rate Categories (Cont'd)

C. End Office (Cont'd)

2. Line Termination

- a. There are two types of Line Terminations, i.e., Common Line Terminations and Dedicated Access Line Terminations. The Dedicated Access Line Terminations are differentiated by line vs. trunk side terminations.
- b. In addition, there are various types of originating and terminating line side terminations depending on the type of signaling associated with the Dedicated Access Line. Line side terminations are available with either dial pulse or dual tone multifrequency address signalling.

D. **Reserved for Future Use**

(C)

(D)

(D)

ACCESS SERVICE TARIFF

Embarq Florida, Inc.  
**d/b/a/ CenturyLink**  
BY: Gary L. Kepley, Director

Second Revised Page 37  
Cancels 1st Revised Page 37

(T)

Effective: July 2, 2013

E6. SWITCHED ACCESS SERVICE

E6.1 General (Cont'd)

E6.1.3 Rate Categories (Cont'd)

D. **Reserved for Future Use**

(C)  
(D)

(D)

ACCESS SERVICE TARIFF

Embarq Florida, Inc.  
By: F. B. Poag, Director

First Revised Page 38  
Cancels Original Page 38

Effective: January 1, 1997

E6. SWITCHED ACCESS SERVICE

E6.1 General (Cont'd)

E6.1.3 Rate Categories (Cont'd)

E. Toll Free Code (TFC) Access Service

Toll Free Code (TFC) Access Service determines the customer to whom TFC calls will be routed. For all 1+8XX+NXX-XXXX calls originated by an end user, the Company will route to an access tandem switch equipped to provide the customer identification function. Once customer identification has been established through TFC Access Service, the TFC call will be routed to the selected customer for completion. Rates applicable to TFC Access Service appear in E6.8.5 following.

The TFC Access Service Data Base Query Charge, as set forth in E6.8.5.A following, will apply for each TFC call query received at the Company's TFC data base. Per query charges will be accumulated over a monthly period and billed to the customer on a monthly basis.

Included as a part of TFC Access Service are various optional service features, described in E6.2.5.C. following, which the customer may request. The rates for the TFC Data Base Optional Service Features are set forth in E6.8.5.B. following and will apply on a per query basis. When a combination of one or more optional service features is specified, only one such charge shall apply. Per query service option charges will be accumulated and billed over a monthly period to the customer.

F. 900 Access Service Nonrecurring Charges

1. The customer charge for the assembly of route tables is assessed for each end office the Company serves in the state. A second nonrecurring charge element applies per NXX activated or deactivated, times the number of Company access tandems or end offices modified to perform six digit screening for 900 Access Service.
2. The route pattern nonrecurring charge applies only once, on the customer's initial request to the Company for 900 Access Service.

Tariff Page revised 6/5/2006 to reflect company name change from Sprint to Embarq.

Embarq Florida, Inc  
d/b/a Centurylink  
BY: Gary L. Kepley, Director

Second Revised Page 38.1  
Cancels First Revised Page 38.1

(T)

Effective: July 2, 2013

E6. SWITCHED ACCESS SERVICE

E6.1 General (Cont'd)

E6.1.3 Rate Categories (Cont'd)

G. Interim 500 Access Service Nonrecurring Charges

1. The customer charge for the assembly of route tables is assessed for each end office the Company serves in the state. A second nonrecurring charge element applies per NXX activated or deactivated, times the number of Company access tandems or end offices modified to perform six digit screening for 500 Access Service.
2. The route pattern nonrecurring charge applies only once, on the customer's initial request to the Company for 500 Access Service.

H. Zone Density Charges

**Zone density charges are applicable only to DS1 and DS3 switched access services (i.e., Entrance Facility, Direct-Trunked Transport, Tandem Switched Transmission, Tandem Switching, and DS1 to Voice and DS3 to DS1 Multiplexing) provided at the Telephone Company designated exchanges set forth in Section 6.7.17 following. Zone density charges are recurring rates that apply each month or fraction thereof that a DS1 or DS3 switched access service is provided. For billing purposes, each month is considered to have 30 days.**

(N)

(N)

ACCESS SERVICE TARIFF

Embarq Florida, Inc.  
By: F. B. Poag, Director

Second Revised Page 39  
Cancels First Revised Page 39

Effective: August 8, 2000

E6. SWITCHED ACCESS SERVICE

E6.1 General (Cont'd)

E6.1.4 Special Facilities Routing

A customer may request that the facilities used to provide Switched Access Service be specially routed. The regulations, rates and charges for Special Facilities Routing (i.e., Avoidance, Diversity and Cable Only) are set forth in E11. following.

E6.1.5 Design Layout Report

At the request of the customer, the Company will provide to the customer the makeup of the facilities and services provided from the customer's premises to the first point of switching. This information will be provided in the form of a Design Layout Report. The Design Layout Report will be provided to the customer at no charge, and will be reissued or updated whenever these facilities are materially changed.

E6.1.6 Acceptance Testing

A. When analog or a combination of analog and digital services are provided at voice grade frequency, the Company will, at the customer's request and at no additional charge, cooperatively test to the point of termination, the following parameters:

- Loss,
- C-Notched noise,
- C-Message noise,
- Three-Tone slope,
- DC Continuity,
- Operational Signaling. and
- Balance<sup>1</sup> (equal level echo path loss)

Note <sup>1</sup>: This test may also be performed when the Switched Transport is provided with Interface Groups 2, 6 and 9 and the Transport Termination is two-wire (i.e., a four-wire to two-wire conversion in Switched Transport).

Tariff Page revised 6/5/2006 to reflect company name change from Sprint to Embarq.

Embarq Florida, Inc.  
**d/b/a CenturyLink**  
BY: Gary L. Kepley, Director

Third Revised Page 40  
Cancels Second Revised Page 40

(T)

Effective: July 2, 2013

## E6. SWITCHED ACCESS SERVICE

### E6.1 General (Cont'd)

#### E6.1.6 Acceptance Testing (Cont'd)

B. When the service is provided totally via digital facilities (i.e., digital switch and digital transport), the Company will, at the customer's request and at no additional charge, cooperatively test at the time of installation the following:

- Loss for one circuit per di-group provided
- Operation Signaling for each circuit provided

#### E6.1.7 Ordering Options and Conditions

The Access Order, as set forth in E5. preceding, is used in the provisioning of Switched Access. Also included in that section are other charges which may be associated with ordering Switched Access Service (e.g., Cancellation Charges, etc.).

### E6.2 Provision and Description of Switched Access Service Arrangements

Switched Access Service is provided in four different Feature Group arrangements and as TFC Access Service, 500 Access Service and 900 Access Service. The provision of each service requires Switched Transport facilities and the appropriate End Office functions. In addition, WATS Access Lines may be provided with Feature Groups C and D. WATS Access Line optional features are available in end offices designated as WATS serving offices.

(C)



## ACCESS SERVICE TARIFF

Embarq Florida, Inc.  
By: F. B. Poag, Director

Third Revised Page 41  
Cancels Second Revised Page 41

Effective: October 26, 2001

### E6. SWITCHED ACCESS SERVICE

#### E6.2 Provision and Description of Switched Access Service Arrangements (Cont'd)

There are three specific transmission specifications (i.e., Types A, B and C) that have been identified for the provision of Switched Access Service. The specifications provided are dependent on the Interface Group and the routing of the service, i.e., whether the service is routed directly to the end office or via an access tandem. The parameters for the transmission specifications are set forth in E6.4.1 following.

Feature Groups are arranged for either originating, terminating or two-way calling, based on the IC end office switching capacity ordered, while TFC Access Service, 500 Access Service, and 900 Access are arranged for originating calling only. Originating calling permits the delivery of calls from telephone exchange service locations to the customer's premises. Terminating calling permits the delivery of calls from the customer's premises to telephone exchange service locations. Two-way calling permits the delivery of calls in both directions, but not simultaneously. The Company will determine the type of calling to be provided unless the customer specifies in its order that a different type of directional calling is to be provided. In such cases, the Company will work cooperatively with the customer to determine the directionality.

There are various nonchargeable optional features available with Switched Access Service. These optional features are provided as Switched Transport or Local Switching options.

Following are detailed descriptions of each of the available Switched Access Services. Each service is described in terms of its specific physical characteristics and calling patterns, the transmission specifications with which it is provided, the optional features available for use with it and the standard testing capabilities.

## ACCESS SERVICE TARIFF

Embarq Florida, Inc.  
By: F. B. Poag, Director

Fourth Revised Page 42  
Cancels Third Revised Page 42

Effective: January 2, 2002

### E6. SWITCHED ACCESS SERVICE

#### E6.2 Provision and Description of Switched Access Service Arrangements (Cont'd)

The Local Switching optional features, which are described in E6.3 following, unless specifically stated otherwise, are available at all Company end office switches.

##### E6.2.1 Feature Group A (FGA)

###### A. Description

1. FGA is provided in connection with Company electronic end offices. At the option of the customer, FGA is provided on a single or multiple line group basis and is arranged for originating calling only, terminating calling only, or two-way calling. FGA is arranged for use by the customer in the provision of its MTS/WATS type service.
2. FGA provides a line side termination at the first point of switching. The line side termination will be provided with either ground start supervisory signaling or loop start supervisory signaling. The type of signaling is at the option of the customer.
3. The Company shall select the first point of switching, within the selected LATA, at which the line side termination is to be provided unless the customer requests a different first point of switching and Company facilities and measurement capabilities are available to accommodate such a request.
4. A seven digit local telephone number assigned by the Company is provided for access to FGA switching in the originating direction. The seven digit local telephone number will be associated with the selected end office switch and is of the form NXX-XXXX.

If the customer requests a specific seven digit telephone number that is not currently assigned, and the Company can, with reasonable effort, comply with that request, the requested number will be assigned to the customer.

Tariff Page revised 6/5/2006 to reflect company name change from Sprint to Embarq.

## ACCESS SERVICE TARIFF

Embarq Florida, Inc.  
By: F. B. Poag, Director

First Revised Page 43  
Cancels Original Page 43

Effective: January 1, 1997

### E6. SWITCHED ACCESS SERVICE

#### E6.2 Provision and Description of Switched Access Service Arrangements (Cont'd)

##### E6.2.1 Feature Group A (FGA)

###### A. Description (Cont'd)

5. FGA switching, when used in the terminating direction is arranged with dial tone start-dial signaling. When used in the terminating direction FGA switching may, at the option of the customer, be arranged for dial pulse or dual tone multifrequency address signaling, subject to availability of equipment at the first point of switching. When FGA switching is provided in a hunt group or uniform call distribution arrangement, all FGA switching will be arranged for the same type of address signaling.
6. No address signaling is provided by the Company when FGA switching is used in the originating direction. Address signaling in such cases, if required by the customer, must be provided by the customer's end user using inband tone signaling techniques. Such inband tone address signals will not be regenerated by the Company and will be subject to the ordinary transmission capabilities of the Switched Transport provided.
7. FGA switching, when used in the terminating direction, may be used to access valid NXXs in the EAEA, local operator service (0- and 0+), Directory Assistance (411 where available and 555-1212), emergency reporting service (911 where available), exchange telephone repair (611 where available), time or weather announcement services of the Company, community information services of an information service provider, and other customer's services by dialing the appropriate digits. Charges for FGA terminating calls requiring operator assistance on calls to 611 or 911 will only apply where sufficient call details are available. Additional non-access charges will also be billed on a separate account for (1) an operator surcharge, as set forth in the local exchange tariffs, for local operator assistance (0- and 0+) calls; (2) calls to certain community information services, for which rates are applicable under Company exchange service tariffs, e.g., DIAL-IT Network Services; and (3) calls from a Feature Group A line to another customer's service in accordance with that customer's applicable service rates when the Company performs the billing function for that customer. For calls to Directory Assistance (411 where available and 555-1212), Switched Transport rates for FGA Switched Access Service will not apply. Calls to Directory Assistance are subject to the Directory Assistance Service Call rate as set forth in E9.5.2. following.

Tariff Page revised 6/5/2006 to reflect company name change from Sprint to Embarq.

## ACCESS SERVICE TARIFF

Embarq Florida, Inc.  
By: F. B. Poag, Director

Second Revised Page 44  
Cancels First Revised Page 44

Effective: October 26, 2001

### E6. SWITCHED ACCESS SERVICE

#### E6.2 Provision and Description of Switched Access Service Arrangements (Cont'd)

##### E6.2.1 Feature Group A (FGA)

###### A. Description (Cont'd)

8. When a FGA switching arrangement for an individual customer (a single line or entire hunt group) is discontinued at an end office, an intercept announcement is provided. This arrangement provides, for a limited period of time, an announcement that the service associated with the number dialed has been disconnected.

###### B. Optional Features

###### 1. Local Switching Optional Features

- a. Hunt Group Arrangement
- b. Uniform Call Distribution Arrangement
- c. Nonhunting Number for use with Hunt Group Arrangement or Uniform Call Distribution (UCD) Arrangement
- d. Call Denial
- e. Service Code Denial
- f. Enhanced Call Denial
  
- g. Two-way operation with dial pulse address signaling and loop start supervisory signaling
- h. Two-way operation with dial pulse address signaling and ground start supervisory signaling
- i. Two-way operation with dual tone multifrequency address signaling and loop start supervisory signaling
- j. Two-way operation with dual tone multifrequency address signaling and ground start supervisory signaling
- k. Terminating operation with dial pulse address signaling and loop start supervisory signaling
- l. Terminating operation with dial pulse address signaling and ground start supervisory signaling

Tariff Page revised 6/5/2006 to reflect company name change from Sprint to Embarq.

ACCESS SERVICE TARIFF

Embarq Florida, Inc. d/b/a CenturyLink  
By: Gary L. Kepley, Director

Third Revised Page 45 (T)  
Cancels Second Revised Page 45 (T)

Effective: January 15, 2017

E6. SWITCHED ACCESS SERVICE

E6.2 Provision and Description of Switched Access Service Arrangements (Cont'd)

E6.2.1 Feature Group A (FGA)

B. Optional Features (Cont'd)

1. Local Switching Optional Features (Cont'd)

- m. Terminating operation with dual tone multifrequency address signaling and loop start supervisory signaling
- n. Terminating operation with dual tone multifrequency address signaling and ground start supervisory signaling
- o. Originating operation with loop start supervisory signaling
- p. Originating operation with ground start supervisory signaling
- q. Call Screening - This feature is available with FGA in suitably equipped end offices.

2. Switched Transport Optional Features

- a. Supervisory Signaling
- b. Customer Specified Entry Switch Receive Level
- c. Data Transmission Parameters

3. Certain other features which may be available in connection with Feature Group A are provided under the Company's **Local Terms of Service**. Examples are:

(T)

- a. Custom Calling Features
- b. Extensions in the same local exchange as the dial tone office

**Tariff Page revised 6/5/2006 to reflect company name change from Sprint to Embarq.**

TL727 - Access Service Tariff  
FPSC Scan Verified 8/14/2014

Effective: August 8, 2000

## E6. SWITCHED ACCESS SERVICE

### E6.2 Provision and Description of Switched Access Service Arrangements (Cont'd)

#### E6.2.1 Feature Group A (FGA) (Cont'd)

##### C. Transmission Specifications

FGA is provided with either Type B or Type C Transmission Specifications. The specifications for the associated parameters are guaranteed to the first point of switching. Type C Transmission Specifications are provided with Interface Group 1 and Type B is provided with Interface Groups 2, 6 and 9. Type DB Data Transmission Parameters are provided with FGA to the first point of switching.

##### D. Testing Capabilities

FGA is provided, in the terminating direction where equipment is available, with seven digit access to balance (100 type) test line and milliwatt (102 type) test line. In addition to the tests described in E6.1.6 preceding, which are included with the installation of service, Additional Cooperative Acceptance Testing and Nonscheduled Testing are available for FGA as set forth in E13. following.

#### E6.2.2 Feature Group B (FGB)

##### A. Description

1. FGB, when directly routed to an end office (i.e., provided without the use of an access tandem switch) is provided at appropriately equipped Company electronic end office switches. When provided via Company designated electronic access tandem switches, FGB switching is provided at Company electronic end office switches.
2. FGB is provided as trunk side switching through the use of end office or access tandem switch trunk equipment. The switch trunk equipment is provided with wink start start-pulsing signals and answer and disconnect supervisory signaling.

ACCESS SERVICE TARIFF

Embarq Florida, Inc.  
By: F. B. Poag, Director

First Revision  
Cancels Original Page 47

Effective: January 1, 1997

E6. SWITCHED ACCESS SERVICE

E6.2 Provision and Description of Switched Access Service Arrangements (Cont'd)

E6.2.2 Feature Group B (FGB)

A. Description

3. FGB switching is provided with multifrequency address signaling in both the originating and terminating directions. Except for FGB switching provided with the automatic number identification (ANI) or rotary dial station signaling arrangements as set forth in E6.3, any other address signaling in the originating direction, if required by the customer, must be provided by the customer's end user using inband tone signaling techniques. Such inband tone address signals will not be regenerated by the Company and will be subject to the ordinary transmission capabilities of the Switched Transport provided. Feature Group B switching provided with Automatic Number Identification (ANI) arrangements, provisioned to an End User(s) where facilities and billing capabilities permit, must be for the End User(s) own use and cannot be resold, pursuant to Florida Public Service Commission Docket No. 900823-TL, Order No. PSC-92-1081-FOF-TL, issued September 30, 1992.

Tariff Page revised 6/5/2006 to reflect company name change from Sprint to Embarq.



ACCESS SERVICE TARIFF

Embarq Florida, Inc.  
By: F. B. Poag, Director

Second Revised Page 48  
Cancels First Revised Page 48

Effective: July 17, 1998

E6. SWITCHED ACCESS SERVICE

E6.2 Provision and Description of Switched Access Service Arrangements  
(Cont'd)

E6.2.2 Feature Group B (FGB) (Cont'd)

A. Description (Cont'd)

4. The access code for FGB switching is a uniform access code. The form of the uniform access code is 950-1XXX or 950-0XXX. One uniform access code will be assigned to the customer for its domestic communications. This uniform access code will be the assigned access number of all FGB switched access service provided to the customer by the Company.
5. FGB switching, when used in the terminating direction, may be used to access valid NXXs in the LATA, time or weather announcement services of the Company, community information services of an information service provider and other customer's services by dialing the appropriate digits. When directly routed to an end office, only those valid NXX codes served by that end office may be accessed. When routed through an access tandem, only those valid NXX codes served by end offices subtending the access tandem may be accessed. The customer will also be billed additional non-access charges for calls to certain community information services for which rates are applicable under Company exchange service tariffs, e.g., DIAL-IT Network Service. Additionally, non-access charges will also be billed for calls from a FGB trunk to another customer's service in accordance with that customer's applicable service rates when the Company performs the billing function for that customer. Calls in the terminating direction will not be provided to 950-1XXX or 950-0XXX access codes, local operator assistance (0- and 0+), Directory Assistance (411 where available and 555-1212), service codes (611 and 911 where available) or 101XXXX access codes. FGB may not be switched, in the terminating direction, to Switched Access Service Feature Groups B, C or D.

Tariff Page revised 6/5/2006 to reflect company name change from Sprint to Embarq.

## ACCESS SERVICE TARIFF

Embarq Florida, Inc. d/b/a CenturyLink  
By: Gary L. Kepley, Director

Second Revised Page 49  
Cancels First Revised Page 49

Effective: January 15, 2017

### E6. SWITCHED ACCESS SERVICE

#### E6.2 Provision and Description of Switched Access Service Arrangements (Cont'd)

##### E6.2.2 Feature Group B (FGB)

###### A. Description

6. The Company will establish a trunk group or groups for the customer at end office switches or access tandem switches where FGB switching is provided. When required by technical limitations, a separate trunk group will be established for each type of FGB switching arrangement provided. Different types of FGB or other switching arrangements may be combined and provided to 950-1XXX or 950-0XXX access codes, local operator assistance (0- and 0+), Directory Assistance (411 where available and 555-1212), service codes (611 and 911 where available) or 10XX access codes. FGB may not be switched, in the terminating direction, to Switched Access Service Feature Groups B, C or D.
7. When all FGB switching arrangements are discontinued at an end office and/or in a LATA, an intercept announcement is provided. This arrangement provides, for a limited period of time, an announcement that the service associated with the number dialed has been disconnected.
8. For FGB Switched Access Service provided to a Mobile Telephone Switching office (MTSO) directly interconnected to a Company access tandem office, the IC will be billed the local transport premium rate element only for the FGB usage. Local transport as it applies to interconnecting to a MTSO is defined as that portion of the connection between the IC's Point of Presence and the Company's access tandem. Charges for the portion of the connection between the Company's access tandem and the MTSO are covered by the **Local Terms of Service** or specific contracts and are billed to the Mobile Service Provider.

(T)

## ACCESS SERVICE TARIFF

Embarq Florida, Inc.  
By: F. B. Poag, Director

Third Revised Page 50  
Cancels Second Revised Page 50

Effective: October 26, 2001

### E6. SWITCHED ACCESS SERVICE

#### E6.2 Provision and Description of Switched Access Service Arrangements (Cont'd)

##### E6.2.2 Feature Group B (FGB) (Cont'd)

###### A. Description (Cont'd)

9. End Users may subscribe to FGB with or without ANI for their own intrastate use. However, in either case, neither the Switched Access Service nor the associated ANI may be resold. All terms and conditions applicable to a customer subscribing to FGB will also apply to an End User subscribing to FGB.

###### B. Optional Features

###### 1. Local Switching Optional Features

- a. Automatic Number Identification (ANI)
- b. Up to 7 Digit Outpulsing of Access Digits to Customer
- c. Multifrequency Address Signaling

- d. Rotary Dial Station Signaling
- e. Alternate Traffic Routing

###### 3. Switched Transport Optional Features

- a. Customer Specified Entry Switch Receive Level
- b. Customer Specification of Switched Transport Termination
- c. Supervisory Signaling (as set forth in E6.1.3 preceding)
- d. Data Transmission Parameters
- e. Provision of Other Than Telephone Company Selected Traffic Routing

FGB is provided with either Type B or Type C Transmission Specifications. The specifications for the associated parameters are guaranteed to the end office when routed directly or to the first point of switching when routed via an access tandem. Type C Transmission Specifications are provided with Interface Group 1 and Type B is provided with Interface Groups 2, 6 and 9. Type DB Data Transmission Parameters are provided with FGB to the first point of switching.

Tariff Page revised 6/5/2006 to reflect company name change from Sprint to Embarq.

ACCESS SERVICE TARIFF

Embarq Florida, Inc.  
By: F. B. Poag, Director

First Revised Page 51  
Cancels Original Page 51

Effective: January 1, 1997

E6. SWITCHED ACCESS SERVICE

E6.2 Provision and Description of Switched Access Service Arrangements (Cont'd)

E6.2.2 Feature Group B (FGB) (Cont'd)

D. Testing Capabilities

FGB is provided, in the terminating direction where equipment is available, with seven digit access to balance (100 type) test line, milliwatt (102 type) test line, nonsynchronous or synchronous test line, automatic transmission measuring (105 type) test line, data transmission (107 type) test line, loop around test line, short circuit test line and open circuit test line. In addition to the tests described in E6.1.6 preceding which are included with the installation of service, Additional Cooperative Acceptance Testing, Automatic Scheduled Testing, Cooperative Scheduled Testing, Manual Scheduled Testing and Non-Scheduled Testing will be provided as set forth in E13.

E6.2.3 Feature Group C (FGC)

A. Description

1. FGC is provided at all Company end office switches on a direct trunk basis or via Company designated access tandem switches. FGC switching is provided to the customer (i.e., providers of MTS and WATS) at an end office switch unless Feature Group D end office switching is provided in the same office. When FGD switching is available, FGC switching will not be provided.
2. FGC is provided as trunk side switching through the use of end office or access tandem switch trunk equipment. The switch trunk equipment is provided with answer and disconnect supervisory signaling. Wink start start-pulsing signals are provided in all offices where available. In those offices where wink start start-pulsing signals are not available, delay dial start-pulsing signals will be provided unless immediate dial pulse signaling is provided, in which case no start-pulsing signals are provided.

Tariff Page revised 6/5/2006 to reflect company name change from Sprint to Embarq.

ACCESS SERVICE TARIFF

Embarq Florida, Inc.  
By: F. B. Poag, Director

Second Revised Page 52  
Cancels First Revised Page 52

Effective: August 8, 2000

E6. SWITCHED ACCESS SERVICE

E6.2 Provision and Description of Switched Access Service Arrangements  
(Cont'd)

E6.2.3 Feature Group C (FGC) (Cont'd)

A. Description (Cont'd)

3. FGC is provided with multifrequency address signaling. Up to 12 digits of the called party number dialed by the customer's end user using dual tone multifrequency or dial pulse address signals will be provided by Company equipment to the customer's premises where the Switched Access Service terminates. Such called party number signals will be subject to the ordinary transmission capabilities of the Switched Transport provided.
4. No access code is required for FGC Switching. The telephone number dialed by the customer's end user shall be a 7 or 10 digit number for calls in the North American Numbering Plan (NANP). The form of the numbers dialed by the customer's end user is NXX-XXXX, 0 or 1 + NXX-XXXX, NPA + NXX-XXXX, 0 or 1 + NPA + NXX-XXXX.

Tariff Page revised 6/5/2006 to reflect company name change from Sprint to Embarq.

ACCESS SERVICE TARIFF

Embarq Florida, Inc.  
By: F. B. Poag, Director

Second Revised Page 53  
Cancels First Revised Page 53

Effective: July 17, 1998

E6. SWITCHED ACCESS SERVICE

E6.2 Provision and Description of Switched Access Service Arrangements (Cont'd)

E6.2.3 Feature Group C (FGC) (Cont'd)

A. Description (Cont'd)

5. FGC switching, when used in the terminating direction, may be used to access valid NXX's in the LATA, time or weather announcement services of the Company, community information services of an information services provider, and other customer's services, by dialing the appropriate digits, when the services can be reached using valid NXX codes. When directly routed to an end office, only those valid NXX codes served by that office may be accessed. When routed through an access tandem, only those valid NXX codes served by offices subtending the access tandem may be accessed. Where measurement capabilities exist, the customer will also be billed additional non-access charges for calls to certain community information services, for which rates are applicable under Company exchange service tariffs, e.g., DIAL-IT Network Services. Additionally, non-access charges will also be billed for calls from a FGC trunk to another customer's service in accordance with that customer's applicable service rates when the Company performs the billing function for that customer. Calls in the terminating direction will not be completed to 950-1XXX or 950-0XXX access codes, local operator assistance (0- and 0+), service codes (611 and 911 where available) and 101XXXX access codes. Calls will not be completed to Directory Assistance (411 where available and 555-1212) unless FGC switching is combined with Directory Assistance switching. FGC may not be switched, in the terminating direction, to Switched Access Service Feature Groups B, C or D.
6. The Company will establish a trunk group or groups for the customer at end office switches or access tandem switches where FGC switching is provided. When required for technical limitations, a separate trunk group will be established for each type of FGC switching arrangement provided. Different types of FGC or other switching arrangements may be combined in a single group at the option of the Company.

Tariff Page revised 6/5/2006 to reflect company name change from Sprint to Embarq.

ACCESS SERVICE TARIFF

Embargo Florida, Inc.  
**d/b/a CenturyLink**  
BY: Gary L. Kepley, Director

Second Revised Page 54 (T)  
Cancels First Page 54

Effective: July 2, 2013

E6. SWITCHED ACCESS SERVICE

E6.2 Provision and Description of Switched Access Service Arrangements (Cont'd)

E6.2.3 Feature Group C (FGC) (Cont'd)

A. Description (Cont'd)

7. A **WATS** Access Line may, at the option of the customer, be provided for use with FGC Switched Access Service. A **WATS** Access Line provides a connection between a customer's premises and a Company end office switch capable of performing the necessary screening functions for TFC Service, WATS or similar services and is provided only for use at the closed end of such services. (C)

**WATS** Access Lines are arranged for either originating calling only or terminating calling only. They are provided with rotary dial or dual tone multifrequency address signaling and either loop start or ground start supervisory signaling. The choice of the type of signaling is at the option of the customer. (C)

**WATS** Access Lines are provided as either an effective two-wire or effective four-wire transmission path. Each transmission path is provided with Standard Transmission Specifications and Data Transmission Parameters as set forth in E6.4.1.D. and E6.4.2.C. following. (C)

ACCESS SERVICE TARIFF

Embarq Florida, Inc.  
**d/b/a CenturyLink**  
BY: Gary L. Kepley, Director

Fourth Revised Page 55  
Cancels Third Revised Page 55

(T)

Effective: July 2, 2013

E6. SWITCHED ACCESS SERVICE

E6.2 Provision and Description of Switched Access Service Arrangements (Cont'd)

E6.2.3 Feature Group C (FGC) (Cont'd)

B. Optional Features

1. Local Switching Optional Features

- a. Automatic Number Identification (ANI)
- b. Service Class Routing
- c. Dial Pulse Address Signaling
- d. Revertive Pulse Address Signaling
- e. Delay Dial Start-Pulsing Signaling
- f. Immediate Dial Pulse Address Signaling
- g. Alternate Traffic Routing
- h. Trunk Access Limitation
- i. End Office Customer Line Service Screening for use with **WATS** Access line Service (C)
- j. Hunt Group Arrangement for use with **WATS** Access Line Service (C)
- k. Nonhunting Number for use with Hunt Group Arrangement or Uniform Call Distribution (UCD) Arrangement for use with **WATS** Access Line Service (C)
- l. Uniform Call Distribution Arrangement for use with **WATS** Access Line Service (C)
- m. Band Advance Arrangement for use with **WATS** Access Line Service (C)
- n. Multifrequency Address Signaling
- o. Operator Trunks-i.e., Pay Telephone (Pay trunks are provided only at Telephone Company electronic and offices and other Telephone Company end offices where equipment is available.)

2. Switched Transport Optional Features

- a. Supervisory Signaling.
- b. Data Transmission Parameters
- c. Supervisory Signaling

3. WATSAccess Lines

E&M Supervisory Signaling



ACCESS SERVICE TARIFF

Embarq Florida, Inc.  
By: F. B. Poag, Director

Second Revised Page 56  
Cancels First Revised Page 56

Effective: August 8, 2000

E6. SWITCHED ACCESS SERVICE

E6.2 Provision and Description of Switched Access Service Arrangements  
(Cont'd)

E6.2.3 Feature Group C (FGC) (Cont'd)

C. Transmission Specifications

1. FGC is provided with either Type B or Type C Transmission Specifications as follows:
  - a. When routed directly to the end office either Type B or Type C is provided.
  - b. When routed to an access tandem only Type B is provided.
  - c. Type B or Type C is provided on the transmission path from the access tandem to the end office.
2. Type C Transmission Specifications are provided with Interface Group 1 when routed directly to an end office. Type B is provided with Interface Groups 2, 6 and 9, whether routed directly to an end office or to an access tandem.
3. Type DB Data Transmission Parameters are provided with FGC for the transmission path between the customer's premises and the end office when directly routed to the end office, and Type DB Data Transmission Parameters are provided for the transmission path between the customer's premises and the access tandem and between the access tandem and the end office when routed via an access tandem.

D. Testing Capabilities

FGC is provided, in the terminating direction where equipment is available with seven digit access to balance (100 type) test line, milliwatt (102 type) test line, nonsynchronous or synchronous test line, automatic transmission measuring (105 type) test line, data transmission (107 type) test line, loop around test line, short circuit test line and open circuit test line. In addition to the tests described in E6.1.6 preceding, which are included with the installation of service, Additional Cooperative Acceptance Testing, Non-Optional Automatic Scheduled Testing, Cooperative Scheduled Testing or Manual Scheduled Testing and Non-Scheduled Testing will be provided as set forth in E13. following for FGC.

Tariff Page revised 6/5/2006 to reflect company name change from Sprint to Embarq.

## ACCESS SERVICE TARIFF

Embarq Florida, Inc  
**d/b/a CenturyLink**  
BY: Chantel Bosworth, Director

Second Revised Page 57  
Cancels First Revised Page 57

Effective: April 21, 2021

### E6. SWITCHED ACCESS SERVICE

#### E6.2 Provision and Description of Switched Access Service Arrangements (Cont'd)

##### E6.2.4 Feature Group D (FGD)

###### A. Description

1. FGD is provided at Company designated electronic end office switches whether routed directly or via Company designated electronic access tandem switches.
2. FGD is provided as trunk side switching through the use of end office or access tandem switch trunk equipment. The switch trunk equipment is provided with wink start start-pulsing signals and answer and disconnect supervisory signaling.
3. FGD switching is provided with inband multifrequency address signaling or out of band SS7 signaling. With multifrequency address signaling and SS7 signaling, up to 12 digits of the called party number dialed by the customer's end user using dual tone multifrequency or dial pulse address signals will be provided by Company equipment to the customer's premises where the Switched Access Service terminates. Such address signals will be subject to the ordinary transmission capabilities of the Switched Transport provided.
4. FGD switching, when used in the terminating direction, may be used to access valid NXXs, time or weather announcement services of the Company, community information services of an information service provider and other customer's services, by dialing the appropriate digits, when such services can be reached using valid NXX codes. When directly routed to an end office, only those valid NXX codes served by that office may be accessed. When routed through an access tandem, only those valid NXX codes served by end offices subtending the access tandem may be accessed. For calls to services of other customers, additional charges may apply. The customer will also be billed additional charges for calls to certain community information services, for which rates are applicable under Company exchange service tariffs, e.g., DIAL-IT Network Service.

(T)

ACCESS SERVICE TARIFF

Embarq Florida, Inc.  
By: F. B. Poag, Director

Second Revised Page 58  
Cancels First Revised Page 58

Effective: July 17, 1998

E6. SWITCHED ACCESS SERVICE

E6.2 Provision and Description of Switched Access Service Arrangements (Cont'd)

E6.2.4 Feature Group D (FGD) (Cont'd)

A. Description (Cont'd)

4. (Cont'd)

Additionally, non-access charges will also be billed for calls from a FGD trunk to another customer's service in accordance with that customer's applicable service rates when the Company performs the billing function for that customer. Calls in the terminating direction will not be completed to 950-1XXX or 950-0XXX access codes, local operator assistance (0- and 0+), service codes (611 and 911 where available) and 101XXXX access codes.

Calls will not be completed to Directory Assistance (411 where available and 555-1212) unless FGD switching is combined with Directory Assistance switching. FGD may not be switched, in the terminating direction, to Switched Access Service Feature Groups B, C or D.

5. The Company will establish a trunk group or groups for the customer at end office switches or access tandem switches where FGD switching is provided. When required by technical limitations, a separate trunk group will be established for each type of FGD switching arrangement provided. Different types of FGD or other switching arrangements may be combined in a single trunk group at the option of the Company.

ACCESS SERVICE TARIFF

Embarq Florida, Inc.  
**d/b/a CenturyLink**  
BY: Gary L. Kepley, Director

Third Revised Page 59  
Cancels Second Revised Page 59

(T)

Effective: July 2, 2013

E6. SWITCHED ACCESS SERVICE

E6.2 Provision and Description of Switched Access Service Arrangements (Cont'd)

E6.2.4 Feature Group D (FGD) (Cont'd)

A. Description (Cont'd)

6. The access code for FGD switching is a uniform access code of the form 101XXXX. A single access code will be the assigned number of all FGD access provided to the customer by the Company. No access code is required for calls to a customer over FGD Switched Access Service if the end user's telephone exchange service is arranged for presubscription to that customer as set forth in E13. following. Where no access code is required, the number dialed by the customer's end user shall be a seven or ten digit number for calls in the North American Numbering Plan (NANP). The form of the numbers dialed by the customer's end user is NXX-XXXX, 0 or 1 + NXX-XXXX, NPA + NXX-XXXX, 0 or 1 + NPA + NXX-XXXX.

Where facilities permit, the customer's operator can be reached by dialing 00.

When the 101XXXX access code is used, FGD switching also provides for dialing the digit 0 for access to the customer's operator, 911 for access to the Company's emergency reporting service, or the end-of-dialing digit (#) for cut-through access to the customer's premises.

7. FGD Switching will be arranged to accept calls from telephone exchange service locations without the need for dialing 101XXXX uniform access code. Each telephone exchange service line will be marked with a presubscription code to identify which 101XXXX code its calls will be directed to for intrastate service. Presubscription codes are applied as set forth in E13. following. (Z)
8. A **WATS** Access Line may, at the option of the customer, be provided for use with FGD Switched Access Service. A **WATS** Access Line provides a connection between a customer's end user's premises and a Company end office switch capable of performing the necessary screening functions for TFC Service, WATS or similar services and is provided only for use at the closed end of such services. (C)  
(C)

## ACCESS SERVICE TARIFF

Embarq Florida, Inc. d/b/a CenturyLink  
By: Gary L. Kepley, Director

Third Revised Page 60  
Cancels Second Revised Page 60

Effective: January 15, 2017

### E6. SWITCHED ACCESS SERVICE

#### E6.2 Provision and Description of Switched Access Service Arrangements (Cont'd)

##### E6.2.4 Feature Group D (FGD) (Cont'd)

###### A. Description (Cont'd)

###### 8. (Cont'd)

WATS Access Lines are arranged for either originating calling only or terminating calling only. They are provided with rotary dial or dual tone multifrequency address signaling and either loop start or ground start supervisory signaling. The choice of the type of signaling is at the option of the customer.

WATS Access Lines are provided as either an effective two-wire or effective four-wire transmission path. Each transmission path is provided with Standard Transmission Specifications and Data Transmission Parameters as set forth in E6.4.1.D. and E6.4.2.C. following.

9. For FGD Switched Access Service provided to a *Wireless Switching Center (WSC)* directly interconnected to a Company access tandem office, the IC will be billed the local transport premium rate element only for the FGD usage. Local transport as it applies to interconnecting to a WSC is defined as that portion of the connection between the IC's Point of Presence and the Company's access tandem. Charges for the portion of the connection between the Company's access tandem and the WSC are covered by the **Local Terms of Service** or specific contracts and are billed to the *Wireless Service Provider*. (T)

10. When a customer has had FGB access in an end office and subsequently replaces the FGB access with FGD access, at the mutual agreement of the customer and the Company, the Company will, for 90 days, direct calls dialed by the customer's end users using the customer's previous FGB access code to the customer's FGD access service. The customer must be prepared to handle normally dialed FGD calls as well as calls dialed with the FGB access code which require the customer to receive additional address signaling from the end user. Such calls will be rated as FGD.

ACCESS SERVICE TARIFF

Embarq Florida, Inc. *d/b/a CenturyLink*  
BY: Gary L. Kepley, Director

Fourth Revised Page 61  
Cancels Third Revised Page 61

(T)

Effective: July 2, 2013

E6. SWITCHED ACCESS SERVICE

E6.2 Provision and Description of Switched Access Service Arrangements (Cont'd)

E6.2.4 Feature Group D (FGD) (Cont'd)

B. Optional Features

1. Local Switching Optional Features

- a. Automatic Number Identification (ANI)
- b. Service Class Routing
- c. Alternate Traffic Routing
- d. Call Gapping Arrangement
- e. Trunk Access Limitation
- f. End Office End User Line Service Screening for use with **WATS** Access Line Service Hunt Group Arrangement for use with **WATS** Access Line Service. (T)
- g. Hunt Group Arrangement for use with **WATS** Access Line Service (T)
- h. Nonhunting Number for use with Hunt Group Arrangement or Uniform Call Distribution (UCD) Arrangement for use with **WATS** Access Line Service (T)
- i. Uniform Call Distribution Arrangement for use with **WATS** Access Line Service (T)
- j. Band Advance Arrangement for use with **WATS** Access Line Service (T)
- k. Flexible Automatic Number Identification (Flex ANI)
- l. Multifrequency Address Signaling
- m. Signaling System 7 (SS7) Signaling
- n. Calling Party Number (CPN) Parameter
- o. Carrier Selection Parameter (CSP)
- p. Clear Channel Capability
- q. Cut-through
- r. Charge Number (CN)
- s. Operator Trunk, Full Feature Arrangement (T)

2. Switched Transport Optional Features (Z)

- a. Supervisory Signaling
- b. Data Transmission Parameters
- c. Provision of Other Than Telephone Company Selected Traffic Routing

ACCESS SERVICE TARIFF

Embarq Florida, Inc.  
**d/b/a CenturyLink**  
BY: Gary L. Kepley, Director

Third Revised Page 62  
Cancels Second Revised Page 62

(T)

Effective: July 2, 2013

E6. SWITCHED ACCESS SERVICE

E6.2 Provision and Description of Switched Access Service Arrangements (Cont'd)

E6.2.4 Feature Group D (FGD) (Cont'd)

B. Optional Features (Cont'd)

3. WATS Access Line

(T)

E&M Supervisory Signaling

C. Transmission Specifications

1. FGD is provided with either Type A, Type B or Type C Transmission Specifications as follows:

- a. When routed directly to the end office either Type B or Type C is provided.
- b. When routed to an access tandem, only Type A is provided.
- c. Type A is provided on the transmission path from the access tandem to the end office.

2. Type C Transmission Specifications are provided with Interface Group 1. Type A and Type B Transmission Performances are provided with Interface Groups 2, 6 and 9.

3. Type DA Data Transmission Parameters are provided for the transmission path between the customer's premises and the access tandem and between the access tandem and the end office. Type DB Data Transmission Parameters are provided with FGD for the transmission path between the customer's premises and the end office when directly routed to the end office.

## ACCESS SERVICE TARIFF

Embarq Florida, Inc.  
By: F. B. Poag, Director

Second Revised Page 63  
Cancels First Revised Page 63

Effective: January 4, 2002

### E6. SWITCHED ACCESS SERVICE

#### E6.2 Provision and Description of Switched Access Service Arrangements (Cont'd)

##### E6.2.4 Feature Group D (FGD) (Cont'd)

###### D. Testing Capabilities

FGD is provided, in the terminating direction where equipment is available, with seven digit access to balance (100 type) test line, milliwatt (102 type) test line, nonsynchronous or synchronous test line, automatic transmission measuring (105 type) test line, data transmission (107 type) test line, loop around test line, short circuit test line and open circuit test line. In addition to the tests described in E6.1.6 preceding which are included with the installation of service, Additional Cooperative Acceptance Testing, Automatic Scheduled Testing, Cooperative Scheduled Testing, Manual Scheduled Testing and Non-Scheduled testing, are available for FGD as set forth in E13. following. When SS7 Signaling is ordered, network compatibility and other operational tests will be performed cooperatively by the Company and the Customer as specified in Technical Reference Publication GR-905.

##### E6.2.5 Toll Free Code (TFC) Access Service

###### A. Description

1. Originating TFC Access Service is a trunk side switched service that is available to the customer via FGD access tandem trunk groups. The service provides for the forwarding of end user dialed TFC calls to a Company Service Switching Point (SSP) which will initiate an TFC data base to perform the customer identification function. The call is forwarded to the appropriate customer based on information contained in the Switching Control Point TFC Data Base.

Tariff Page revised 6/5/2006 to reflect company name change from Sprint to Embarq.



ACCESS SERVICE TARIFF

Embarq Florida, Inc.  
By: F. B. Poag, Director

First Revised Page 64  
Cancels Original Page 64

Effective: January 1, 1997

E6. SWITCHED ACCESS SERVICE

E6.2 Provision and Description of Switched Access Service Arrangements (Cont'd)

E6.2.5 Toll Free Code (TFC) Access Service (Cont'd)

A. Description (Cont'd)

2. No access code is required for TFC Access Service. When the TFC call is originated by the end user, the Company will perform the TFC data base query on the dialed digits to determine the customer location to which the call is to be routed. The TFC data base query will be performed from suitably equipped access tandems. If the call originates from an end office not equipped to perform the TFC data base query, the call will be routed to an access tandem at which the query function is available. Once customer identification is established, the call will be routed to the customer. TFC calls may be routed to different customers based on the local access transport area in which the call originates, however, calls originating from an end office switch not included in the customer's area of service for TFC Access Service will not be completed.
3. The provision of TFC Access Service requires access to the TFC Service Management System (TFC SMS) by a responsible organization on behalf of the customer or through direct access by the customer to the TFC SMS.
4. When TFC Access Service originates from an end office equipped with equal access capabilities (like FGD), all such service will be provisioned in accordance with the technical characteristics available with FGD. When TFC Access Service originates from an end office not equipped with equal access, such service will be provisioned in accordance with the technical characteristics available with FGC. For FGB customers, end offices lacking equal access capability or the TFC data base query function may only be served via an access tandem over FGD trunks or TFC Access Service trunk groups. Such service will be provisioned in accordance with the characteristics available with FGC or FGD. In either case, when more than one access tandem is involved in the transport of an TFC Access Service call, standard transmission characteristics are not guaranteed.

Tariff Page revised 6/5/2006 to reflect company name change from Sprint to Embarq.

ACCESS SERVICE TARIFF

Embarq Florida, Inc.  
By: F. B. Poag, Director

Second Revised Page 65  
Cancels First Revised Page 65

Effective: August 8, 2000

E6. SWITCHED ACCESS SERVICE

E6.2 Provision and Description of Switched Access Service Arrangements  
(Cont'd)

E6.2.5 Toll Free Code (TFC) Access Service (Cont'd)

A. Description (Cont'd)

5. Unless prohibited by network considerations (i.e., different dialing plans), the customer's TFC Access Service traffic may, at the option of the customer, be combined in the same trunk group arrangement with the customer's non-TFC switched access traffic except as follows. Combining TFC Access Service traffic with the customer's direct routed switched access traffic will be allowed only when the end office is equipped to perform the TFC data base query. When required by network considerations, a separate trunk group must be established for TFC Access Service.
6. Premium usage rates and charges apply to TFC Access Service calls originated from end offices with equal access capability or calls originated from nonconforming offices via FGC. Nonpremium transitional usage rates apply to TFC Access Service calls originated from end offices lacking equal access capability for carriers other than AT&T.

B. Technical Specifications

1. TFC Access Service trunk groups are provided with either Type B or Type C Transmission Specifications as follows:
  - a. When routed directly to the end office either Type B or Type C is provided.
  - b. When routed to an access tandem only Type B is provided.
  - c. Type B or Type C is provided on the transmission path from the access tandem to the end office.
2. Type C Transmission Specifications are provided with Interface Group 1 when routed directly to an end office. Type B is provided with Interface Groups 2, 6 and 9, whether routed directly to an end office or to an access tandem.
3. Company switch and customer premises interfaces and design blocking criteria for Feature Group C apply to TFC Access Service.

Tariff Page revised 6/5/2006 to reflect company name change from Sprint to Embarq.

ACCESS SERVICE TARIFF

Embarq Florida, Inc.  
By: F. B. Poag, Director

First Revised Page 66  
Cancels Original Page 66

Effective: January 1, 1997

E6. SWITCHED ACCESS SERVICE

E6.2 Provision and Description of Switched Access Service Arrangements (Cont'd)

E6.2.5 Toll Free Code (TFC) Access Service (Cont'd)

C. Toll Free Code (TFC) Data Base Optional Service Features

In addition to the 1+8XX-NXX-XXXX call routing described in (A) preceding, at the customer's option, the Company will perform additional call routing service options as follows:

1. TFC to Local Exchange Number Translation

This option allows a TFC Access Service customer to specify standard local exchange telephone numbers for TFC call completion at the terminating end. When a TFC call is to be routed to a local exchange telephone number, the TFC Access Service customer must provide to its Responsible Organization or to the TFC SMS, the full ten digit local exchange number (NPA-NXX-XXXX) to be associated with the TFC number and indicate to which carrier the local exchange telephone number is to be delivered. If the TFC to Local Exchange Number Translation optional feature is used, the customer will be unable to determine that such calls originated as 1+8XX-NXX-XXXX dialed calls unless the customer also orders the Flexible Automatic Number Identification (Flex ANI) optional feature.

2. Customized TFC Call Routing

This option allows for routing to multiple carriers, except as specified in E6.2.5.A., or variable terminating locations for TFC call completion based on the following criteria:

- time of day
- day of week
- specific days of the year (e.g., December 25)
- percentage of traffic (in one percent increments)
- Calling telephone number (unless technical limitations exist which do not provide for originating number identification)

Tariff Page revised 6/5/2006 to reflect company name change from Sprint to Embarq.

ACCESS SERVICE TARIFF

Embarq Florida, Inc.  
By: F. B. Poag, Director

First Revised Page 67  
Cancels Original Page 67

Effective: January 1, 1997

E6. SWITCHED ACCESS SERVICE

E6.2 Provision and Description of Switched Access Service Arrangements (Cont'd)

E6.2.5 Toll Free Code (TFC) Access Service (Cont'd)

A. Description (Cont'd)

2. (Cont'd)

With this option, TFC calls can be delivered to the carrier in either the direct dialed TFC number format or in the local exchange telephone number translated format. The customer must enter the desired format and the necessary ten digit local exchange telephone number, if any, into the TFC SMS or provide such information to its Responsible Organization for handling.

The rates for the TFC Data Base Optional Service Features described above are applied on a per query basis as set forth in E6.8.5.B. following. When a combination of one or more of the optional features is requested, only one such charge shall apply.

E6.2.6 900 Access Service

A. Description

Originating 900 Access Service is a Trunk Side Switched Service that is available to the customer via 900 Access Service Trunk Groups. 900 Access Service Trunk Groups will be provided in conjunction with FGC or FGD Access or in accordance with the technical characteristics of FGC or FGD Access.

When a 1+900+NXX+XXXX call is originated by an end user, the Company will perform the customer identification function to determine the customer location to which the call is to be routed. The customer identification function will be available at suitably equipped end offices or access tandem switches. If a call originates from an end office switch not equipped to provide the customer identification function, the call will be routed to an access tandem, where the customer identification will be performed and the call routed to the customer based on the NXX.

Tariff Page revised 6/5/2006 to reflect company name change from Sprint to Embarq.

ACCESS SERVICE TARIFF

Embarq Florida, Inc.  
By: F. B. Poag, Director

Third Revised Page 68  
Cancels Second Revised Page 68

Effective: July 17, 1998

E6. SWITCHED ACCESS SERVICE

E6.2 Provision and Description of Switched Access Service Arrangements  
(Cont'd)

E6.2.6 900 Access Service (Cont'd)

A. Description (Cont'd)

The manner in which 900 Access Service is provided depends on the status of the end office from which the service is provided (i.e., equipped with equal access capabilities or not equipped with equal access capabilities). When 900 Access Service is provided from an end office equipped with equal access capabilities, all such service will be provisioned in accordance with the technical characteristics available with Feature Group D, except when more than one tandem is employed in the transport of a 900 Access Service call for which standard transmission characteristics are not guaranteed. When 900 Access Service is provided from an end office not equipped with equal access capabilities, all such service will be provisioned in accordance with the technical characteristics available with Feature Group C or D, except when more than one tandem is employed in the transport of a 900 Access Service call for which standard transmission characteristics are not guaranteed.

Additionally, 900 Access Service usage measurement shall be in accordance with the regulations set forth in E6.7.8 following for Feature Groups C and D. Specifically, for usage originating from end offices not equipped with equal access capabilities, access minutes shall be measured in the same manner in which Feature Group C access minutes are measured. For usage originating from end offices equipped with equal access capabilities, access minutes shall be measured in the same manner in which Feature Group D access minutes are measured.

Unless prohibited by technical limitations of the customer's terminating switch (e.g., different dialing plans), the customer's 900 Access Service traffic may, at the option of the customer, be combined in the same trunk group arrangement with the customer's non-900 Access Service traffic. When required by technical limitations, or at the request of the customer, a separate trunk group will be established for 900 Access Service. 900 Access Service calls originated at 0+, 0-, and 101XXXX, originated using calling cards and originated from Inmate Service, hotel/motel, and toll restricted stations will be blocked.

Tariff Page revised 6/5/2006 to reflect company name change from Sprint to Embarq.

ACCESS SERVICE TARIFF

Embarq Florida, Inc.  
By: F. B. Poag, Director

First Revised Page 69  
Cancels Original Page 69

Effective: January 1, 1997

E6. SWITCHED ACCESS SERVICE

E6.2 Provision and Description of Switched Access Service Arrangements  
(Cont'd)

E6.2.6 900 Access Service (Cont'd)

A. Description (Cont'd)

900 Access Service originating from equal access end offices with the customer identification function will be provided using Feature Group D signaling with overlap outpulsing. Feature Group D signaling may be provided with or without 10-digit ANI, but not in the same trunk group. 900 Access Service originating from equal access end offices without the customer identification function, or from end offices not having equal access capability, will be provided using traditional signaling.

For 900 Access Service traffic originating from an equal access end office with the customer identification function, Feature Group D parameters as specified in E6.2.4 preceding apply. For 900 Access Service traffic originating from all other end offices, Feature Group C parameters, as specified in E6.2.3 preceding apply.

Premises Interface Codes as set forth in E6.1.3 preceding for FGD also apply to 900 Access Service.

The Company retains the right to administer its network in such a manner that the impact of traffic surges due to the peaked nature of 900 Access Service traffic on other access service traffic is minimized. E6.3.1.P. notwithstanding, the Company may, when it deems necessary, implement network management controls to insure acceptable service levels.

In order to ensure deployment of adequate protective network controls, the Company requires that the customer provide notification to the Company's Network Management Center at least two business days before any 900 Access Service event for which a substantial call volume is expected during a short period of time (e.g., media stimulated event). Notification should include the nature, time, duration, and frequency of the event, an estimated call volume, and the 900 line number to be used.

ACCESS SERVICE TARIFF

Embarq Florida, Inc.  
By: F. B. Poag, Director

Second Revised Page 70  
Cancels First Revised Page 70

Effective: August 8, 2000

E6. SWITCHED ACCESS SERVICE

E6.2 Provision and Description of Switched Access Service Arrangements (Cont'd)

E6.2.6 900 Access Service (Cont'd)

A. Description (Cont'd)

The customer is responsible for using 900 Access Service in accordance with this Tariff. 900 Access Service shall not be used for any communication which is prohibited by law, nor in any manner which is unlawful. It is not intended that 900 Access Service be used for any communication which implicitly or explicitly invites, describes, stimulates, excites, arouses, or otherwise refers to sexual conduct, or which contains sexual innuendoes which arouse or attempt to arouse sexual desire. Nor is it intended that 900 Access Service be used or administered in conjunction with misleading, exploitative or similarly abusive business practices. The customer shall cooperate with the Company to resolve complaints which may result from such uses of 900 Access Service.

B. Technical Specifications

1. 900 Access Service trunk groups are provided with either Type B or Type C Transmission Specifications as follows:
  - a. When routed directly to the end office either Type B or Type C is provided.
  - b. When routed to an access tandem only Type B is provided.
  - c. Type B or Type C is provided on the transmission path from the access tandem to the end office.
2. Type C Transmission Specifications are provided with Interface Group 1 when routed directly to an end office. Type B is provided with Interface Groups 2, 6 and 9, whether routed directly to an end office or to an access tandem.
3. Company switch and customer premises interfaces and design blocking criteria for Feature Group C apply to 900 Access Service.

Tariff Page revised 6/5/2006 to reflect company name change from Sprint to Embarq.

Embarq Florida, Inc.  
By: F. B. Poag, Director

First Revised Page 70.1  
Cancels Original Page 70.1

Effective: February 18, 1997

## E6. SWITCHED ACCESS SERVICE

### E6.2 Provision and Description of Switched Access Service Arrangements (Cont'd)

#### E6.2.7 Interim 500 Access Service

##### A. Description

Interim 500 Access Service is an outgoing service providing the customer identification function (500 NXX screening) based on the first six digits of the dialed 500 number.

Originating Interim 500 Access Service is a trunk side switched service that is available to the customer via Interim 500 Access Service trunk groups, or can be provided to the customer in conjunction with FGC or FGD services. When combined with FGC or FGD, Interim 500 Access Service traffic can, at the option of the customer, be carried on the same group with non-500 Access traffic. When a 1+500+NXX+XXXX or 0+500+NXX+NXXX call is originated by an end user, the Company will perform the customer identification function based on the dialed digits to determine the customer to which the call is to be routed. If the call originates from an end office not equipped to provide the customer identification function, the call will be routed to an office where the function is available. Once customer identification has been established, the call will be routed to the customer.

The manner in which Interim 500 Access Service is provided depends on whether the end office/tandem from which the call originates has equal access capability with the customer identification function. In equal access end offices/tandems which have customer identification function capability, Interim 500 Access Service is provided in accordance with technical characteristics available with FGD, either direct to the end office or via an equal access tandem on existing trunk groups. In end offices not equipped with equal access capabilities, Interim 500 Access Service will be provisioned in accordance with the technical characteristics available with FGC. At the customer's option, Interim 500 Access Service, 900 Access Service and TFC Access Service may be combined on the same trunk group. For a customer of FGC, Interim 500 Access Service can be provided through an existing trunk group or separate FGC trunk group which handles Interim 500 Access Service. At the customer's option, Interim 500 Access Service can be provided from both equal access and non-equal access end office switches over an FGD trunk group from the access tandem to the customer's premises if the customer can accept, on that trunk group, both exchange access and conventional signaling.

Tariff Page revised 6/5/2006 to reflect company name change from Sprint to Embarq.



ACCESS SERVICE TARIFF

Embarq Florida, Inc.  
By: F. B. Poag, Director

First Revised Page 70.2  
Cancels Original Page 70.2

Effective: February 18, 1997

E6. SWITCHED ACCESS SERVICE

E6.2 Provision and Description of Switched Access Service Arrangements  
(Cont'd)

E6.2.7 Interim 500 Access Service (Cont'd)

A. Description (Cont'd)

At the carrier's option all 500 attempts will be passed to the identified IC, who subsequently can screen the appropriate ANI II digits for call disposition. The ANI II digits are described in TR-TSY-00064 (LSSGR). This option is available in technically capable equal access offices.

Interim 500 Access Service originating from equal access end offices with the customer identification function will be provided using exchange access signaling with overlap outpulsing and ten digit ANI. Interim 500 Access Service originating from equal access end offices/tandems without the customer identification function, from end offices not having equal access capability, or for calls routed through operator services, will be provided using conventional signaling. On traffic using conventional signaling, other than FGC, the customer's facilities shall provide off hook supervision upon receipt of the transmitted digits.

Premium usage rates and charges apply to Interim 500 Access Service calls originated from end offices/tandems with equal access capability or calls originated from nonconforming offices via the customer of FGC. Additionally, nonrecurring charges as specified in 6.1.2(G) preceding and 6.8.7 following also apply.

Pass-through charges apply to query information provided to the Company by connecting local exchange companies in order to perform the translations required to complete Interim 500 Access Service calls. The pass-through charges will be provided to the Company by the connecting local exchange company. Pass-through rates are set forth in Section 6.8.7 following, and are applied on a per query basis.

Tariff Page revised 6/5/2006 to reflect company name change from Sprint to Embarq.

ACCESS SERVICE TARIFF

Embarq Florida, Inc.  
By: F. B. Poag, Director

Second Revised Page 70.3  
Cancels First Revised Page 70.3

Effective: August 8, 2000

E6. SWITCHED ACCESS SERVICE

E6.2 Provision and Description of Switched Access Service  
Arrangements (Cont'd)

E6.2.7 Interim 500 Access Service (Cont'd)

B. Technical Specifications

Interim 500 Access Service trunk groups are provided with either  
Type B or Type C Transmission Specifications as follows:

- When routed directly to the end office, either Type B or Type  
C is provided.
- When routed to an access tandem only Type B is provided.
- Type B or Type C is provided on the transmission path from the  
access tandem to the end office.

Type C Transmission Specifications are provided with Interface  
Group 1 when routed directly to an end office. Type B is provided  
with Interface Groups 2, 6 and 9, whether routed directly to an end  
office or to an access tandem.

Company switch and customer premises interfaces apply to Interim  
500 Access Service.

Tariff Page revised 6/5/2006 to reflect company name change from Sprint to Embarq.

## ACCESS SERVICE TARIFF

Embarq Florida, Inc.  
By: F. B. Poag, Director

Fourth Revised Page 70.4  
Cancels Third Revised Page 70.4

Effective: October 28, 2003

### E6. SWITCHED ACCESS SERVICE

#### E6.2 Provision and Description of Switched Access Service Arrangements (Cont'd)

##### E6.2.8 OptiPoint Services

###### A. Basic Service Description

OptiPoint services provide point-to point high-speed synchronous optical fiber-based full duplex data transmission capabilities. There are three levels of OptiPoint services: OptiPoint-3 (OC3) is provided at a terminating bit rate of 155.52 Mbps; OptiPoint-12 (OC12) is provided at a terminating bit rate of 622.08 Mbps; and OptiPoint-48 (OC48) is provided at a terminating bit rate of 2488.32 Mbps; and OptiPoint - 192 (OC192) is provided at a terminating bit rate of 9953.28 Mbps.

OptiPoint services are provided for periods of one, three or five years. When a customer orders OptiPoint service, the customer and the Company will work cooperatively to plan, engineer, provision and manage the OptiPoint circuits.

###### 1. Entrance Facilities.

OptiPoint entrance facility channels may be used to connect the following:

- a customer designated premises to another customer designated premises, configured at wire center locations between the two premises; or
- a customer designated premises to a Company location where service configuration is performed.

Tariff Page revised 6/5/2006 to reflect company name change from Sprint to Embarq.

## ACCESS SERVICE TARIFF

Embarq Florida, Inc.  
By: F. B. Poag, Director

Third Revised Page 70.5  
Cancels Second Revised Page 70.5

Effective: June 7, 2003

### E6. SWITCHED ACCESS SERVICE

#### E6.2 Provision and Description of Switched Access Service Arrangements (Cont'd)

##### E6.2.8 OptiPoint Services (Cont'd)

###### A. Basic Service Description (Cont'd)

###### 1. Entrance Facilities (Cont'd)

- a. Based on customer requirements, OC3 service may be provisioned in the following configurations:
  - (i) OC3 - three Synchronous Transport Signals (STS1) channels which each contain the following:
    - one DS3 or STS1 that is STS1 mapped;
    - up to 28 DS1s that are VT mapped;
    - an STS1 channel without constraint to payload mapping or
  - (ii) A single concatenated OC3c channel that is STS3c mapped.
- b. Based on customer requirements, OC12 service may be provisioned in the following configurations:
  - (i) OC12 - twelve STS1 channels which each contain:
    - one DS3 or STS1 that is STS1 mapped;
    - up to 28 DS1s that are VT mapped;
    - an STS1 channel without constraint to payload mapping

Tariff Page revised 6/5/2006 to reflect company name change from Sprint to Embarq.

ACCESS SERVICE TARIFF

Embarq Florida, Inc.  
By: F. B. Poag, Director

Fourth Revised Page 70.6  
Cancels Third Revised Page 70.6

Effective: June 7, 2003

E6. SWITCHED ACCESS SERVICE

E6.2 Provision and Description of Switched Access Service Arrangements (Cont'd)

E6.2.8 OptiPoint Services (Cont'd)

A. Basic Service Description (Cont'd)

1. Entrance Facilities (Cont'd)

b. (Cont'd)

- (ii) Up to four concatenated OC3c channels that are STS3c mapped;
- (iii) From one to three OC3c channels that are STS3c mapped, mixed with from three to nine STS1 channels subject to utilization of the total OC12 capacity; or
- (iv) A single concatenated OC12c channel that is STS12c mapped.

c. Based on customer requirements, OC48 service may be provisioned in the following configurations:

- (i) OC48 - forty-eight STS1 channels which each contain:
  - one DS3 or STS1 that is STS1 mapped;
  - an STS1 channel without constraint to payload mapping
- (ii) Up to four concatenated OC12c channels that are STS12c mapped;

Tariff Page revised 6/5/2006 to reflect company name change from Sprint to Embarq.

## E6. SWITCHED ACCESS SERVICE

## E6.2 Provision and Description of Switched Access Service Arrangements (Cont'd)

## E6.2.8 OptiPoint Services (Cont'd)

## A. Basic Service Description (Cont'd)

1. Entrance Facilities (Cont'd)

## c. (Cont'd)

- (iii) Up to sixteen concatenated OC3c channels that are STS3c mapped;
- (iv) From one to three OC3c channels that are STS3c mapped, mixed with from 39 to 45 STS1 channels subject to utilization of the total OC48 capacity;
- (v) From one to three OC12c channels that are STS12c mapped, mixed with from four to twelve OC3 channels subject to utilization of the total OC48 capacity.

Current SONET standards do not provide for asynchronous DS3 to DS1 multiplexing. An STS1 channel may be mapped for either one DS3 or 28 DS1s. However, DS1s within a DS3 are not accessible within the SONET architecture, and their performance cannot be guaranteed for this reason. When the customer requests that an OC3, OC12, OC48 or OC192 service be configured with a combination of DS3 and DS1 channels, a DS3 to DS1 multiplexing arrangement, as set forth in 6.1.3(B)(8) preceding **and E19.4.1(D)(1)(b)** will be required. (C)

Upon ordering OptiPoint service, the customer is responsible for identifying the STS signal configuration. This information is used in determining the route and connection in the network. If a new configuration is requested subsequent to the initial activation, a Service Reconfiguration Charge will apply on a per service basis, as set forth in Sections E6.8.2 D.7 **and E19.4.1(D)(5)**. The service reconfiguration charge is in addition to all applicable configuration node and configuration card charges associated with the new configuration. (C)

## ACCESS SERVICE TARIFF

Embarq Florida, Inc.  
By: F. B. Poag, Director

Second Revised Page 70.8  
Cancels First Revised Page 70.8

Effective: June 7, 2003

### E6. SWITCHED ACCESS SERVICE

#### E6.2 Provision and Description of Switched Access Service Arrangements (Cont'd)

##### E6.2.8 OptiPoint Services (Cont'd)

###### A. Basic Service Description (Cont'd)

###### 1. Entrance Facilities (Cont'd)

###### c. (Cont'd)

OptiPoint service is provided with electronics that automatically activate in case of failure of the primary electronics. Since OptiPoint is a point-to-point service, SONET ring survivability will not be available. Rates for additional protection options requested by the customer will be quoted on an individual case basis and are in addition to the rates for OC3, OC12, OC48 and OC192 service.

OptiPoint entrance facilities provided to a customer's designated premises will be installed in a single, common space under Company control. An OptiPoint entrance facility may not be split between premises or terminated in multiple locations within a premises. The customer must provide suitable floor space, environmental controls and non-switched AC power to support the OptiPoint entrance facility at the customer's premises location.

OptiPoint entrance facilities will be provided with or without Company provided terminal equipment at the customer's premises. When a customer elects to furnish its own terminal equipment at the customer's premises, the customer will work cooperatively with the Company to provide a compatible physical interface, and will identify approved equipment types for use in conjunction with Company provided equipment. The customer is responsible for providing all facilities and cabling necessary to connect customer provided equipment to this interface.

Tariff Page revised 6/5/2006 to reflect company name change from Sprint to Embarq.

## ACCESS SERVICE TARIFF

Embarq Florida, Inc.  
By: F. B. Poag, Director

Second Revised Page 70.9  
Cancels First Revised Page 70.9

Effective: June 7, 2003

### E6. SWITCHED ACCESS SERVICE

#### E6.2 Provision and Description of Switched Access Service Arrangements (Cont'd)

##### E6.2.8 OptiPoint Services (Cont'd)

###### A. Basic Service Description (Cont'd)

###### 1. Entrance Facilities (Cont'd)

###### c. (Cont'd)

OC3, OC12, OC48 and OC192 services may be configured for lower bandwidth services, at suitably equipped wire centers, by using appropriate OC3, OC12, OC48 or OC192 configuration nodes as set forth in 2 following.

OptiPoint entrance facilities are available only where facilities and operating conditions permit. The Company will work cooperatively with the customer to determine if suitable existing Company SONET based facilities are available to provide the service. The Company will not provision this service on facilities, which are not suitable for OptiPoint. Where facilities and/or operating conditions do not permit the provision of OptiPoint entrance facilities, and the customer desires the Company to provision OptiPoint service, Special Construction charges, as set forth in Section E14 following, may apply.

###### d. Based on customer requirements, OC192 service may be provisioned in the following configurations:

- (i) OC192 - one hundred ninety-two STS1 channels which each contain:
  - one DS3 or STS1 that is STS1 mapped;
  - an STS1 channel without constraint to pay load mapping;
- (ii) Up to four concatenated OC48c channels that are STS48C mapped;
- (iii) Up to sixteen concatenated OC12c channels that are STS12c mapped;
- (iv) Up to sixty-four concatenated OC3c channels that are STS3c mapped; or
- (v) Combinations of OC3c, OC12c and OC48c channels subject to utilization of the total OC192 capacity.

Tariff Page revised 6/5/2006 to reflect company name change from Sprint to Embarq.



## ACCESS SERVICE TARIFF

Embarq Florida, Inc.  
By: F. B. Poag, Director

Second Revised Page 70.10  
Cancels First Revised Page 70.10

Effective: June 7, 2003

### E6. SWITCHED ACCESS SERVICE

#### E6.2 Provision and Description of Switched Access Service Arrangements (Cont'd)

##### E6.2.8 OptiPoint Services (Cont'd)

##### A. Basic Service Description (Cont'd)

##### 2. Service Configuration

There are two types of charges associated with a service configuration as described following:

- a. Configuration Node - is an arrangement at the system level that allows an OC3 service bandwidth to add or drop lower level signals up to three DS3s or STS1s or three groups of twenty-eight DS1s. An OC12 service bandwidth can add or drop lower level signals up to four OC3s or twelve DS3s or STS1s or equivalent combinations of OC3s, DS3s, STS1s and DS1s. An OC48 service bandwidth can add or drop lower level signals up to four OC12s, sixteen OC3s, forty-eight DS3s, or STS1s or equivalent combinations of OC12s, OC3s, DS3s and STS1s.

An OC192 service bandwidth can add or drop lower level signals up to four OC48s, sixteen OC12s, sixty-four OC3s, one hundred ninety-two DS3s or STS1s or equivalent combinations of OC48s, OC12s, OC3s, DS3s and STS1s.

When the customer requests that a DS1 channel be connected to an OC48 service terminating at a Company central office, a DS3 to DS1 multiplexing arrangement, as set forth in E6.1.3 B.8 preceding, may be required.

Direct trunked transport can be connected between serving wire centers with configuration nodes at a lower OC-n speed than the channel termination, if the transport is between a lower speed configuration function and one of the following:

- another lower speed configuration function;
- another lower speed channel termination;

All of the above terminations must be provided at the same speed as the transport.

## ACCESS SERVICE TARIFF

Embarq Florida, Inc.  
By: F. B. Poag, Director

Third Revised Page 70.11  
Cancels Second Revised Page 70.11

Effective: June 7, 2003

### E6. SWITCHED ACCESS SERVICE

#### E6.2 Provision and Description of Switched Access Service Arrangements (Cont'd)

##### E6.2.8 OptiPoint Services (Cont'd)

###### A. Basic Service Description (Cont'd)

###### 2. Service Configuration (Cont'd)

- b. Configuration Card - provides for the interface at which a channelized or lower speed service terminates or originates from an OptiPoint optical line terminated at a customer designated premises or a Company central office. DS1, DS3, OC3 concatenated and STS-1 level cards are available for interfacing OptiPoint-3 service with lower level signals. DS1, DS3, OC3, OC3 concatenated, OC12 concatenated and STS-1 level cards are available for interfacing with OptiPoint-12 service. DS3, OC3, OC12, OC3 concatenated, OC12 concatenated and STS-1 level cards are available for interfacing with OptiPoint-48 service. DS3, OC3, OC12, OC48, OC3 concatenated, OC12 concatenated, OC48 concatenated and STS-1 level cards are available for interfacing with OptiPoint 192 service. When full OC3, OC12 and OC48 concatenated service is provided, no configuration node is required.

Tariff Page revised 6/5/2006 to reflect company name change from Sprint to Embarq.

## ACCESS SERVICE TARIFF

Embarq Florida, Inc.  
By: F. B. Poag, Director

Third Revised Page 70.12  
Cancels Second Revised Page 70.12

Effective: June 7, 2003

### E6. SWITCHED ACCESS SERVICE

#### E.6.2 Provision and Description of Switched Access Service Arrangements (Cont'd)

##### 6.2.8 OptiPoint Services (Cont'd)

##### A. Basic Service Description (Cont'd)

##### 2. Service Configuration (Cont'd)

When a customer requests an OptiPoint service configuration, both the applicable node and card rate elements will apply. The rates for the configuration node and associated card(s) apply at the end office and at each end of the entrance facility when Company provided terminal equipment is provided at the customer premises.

When the customer elects to furnish its own terminal equipment at the customer premises, the rates for the configuration node and associated card(s) apply only at the end of the entrance facility where Company equipment is provided.

Due to the technical limitations of SONET facilities, additional regeneration equipment may be required for essential detection and retransmission of SONET signals between the customer's premises and the Company service wire center for that premises. Additional regeneration equipment will only be provided by the Company when the actual fiber facility distance between the customer's premises and serving wire center exceeds SONET design limits. In such situations, the customer will be charged for the additional electronics on an individual case basis.

Rates and charges for the configuration node and configuration cards are set forth in E6.8.2 following. Additional labor charges as set forth in Section E13 following will apply to configuration changes for STS level service.

Tariff Page revised 6/5/2006 to reflect company name change from Sprint to Embarq.

ACCESS SERVICE TARIFF

Embarq Florida, Inc.  
By: F. B. Poag, Director

Second Revised Page 70.13  
Cancels First Revised Page 70.13

Effective: January 2, 2002

E6. SWITCHED ACCESS SERVICE

E6.2 Provision and Description of Switched Access Service Arrangements (Cont'd)

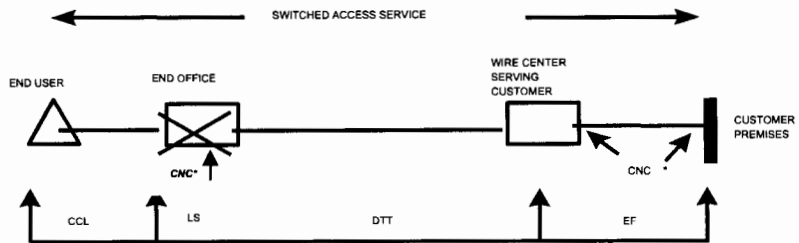
E6.2.8 OptiPoint Services (Cont'd)

A. Basic Service Description (Cont'd)

2. Service Configuration (Cont'd)

The following diagrams depict generic views of the components of OptiPoint Service.

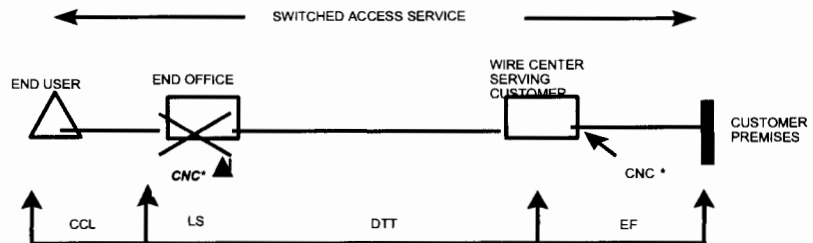
(A) OptiPoint Service with Telephone Company Provided Terminal Equipment at the Customer Premises



CCL: CARRIER COMMON LINE  
LS: LOCAL SWITCHING  
DTT: DIRECT-TRUNKED TRANSPORT  
EF: ENTRANCE FACILITY  
CNC: CONFIGURATION NODE & CARDS

\* WHERE APPLICABLE

(B) OptiPoint Service without Telephone Company Provided Terminal Equipment at the Customer Premises



CCL: CARRIER COMMON LINE  
LS: LOCAL SWITCHING  
DTT: DIRECT-TRUNKED TRANSPORT  
EF: ENTRANCE FACILITY  
CNC: CONFIGURATION NODE & CARDS

\* WHERE APPLICABLE

Tariff Page revised 6/5/2006 to reflect company name change from Sprint to Embarq.

ACCESS SERVICE TARIFF

Embarq Florida, Inc  
d/b/a CenturyLink  
BY: Gary L. Kepley, Director

Third Revised Page 70.14  
Cancels Second Revised Page 70.14

(T)

Effective: July 2, 2013

E6. SWITCHED ACCESS SERVICE

E6.2 Provision and Description of Switched Access Service Arrangements (Cont'd)

E6.2.8 OptiPoint Services (Cont'd)

B. Regulations

The rates and charges for OptiPoint services are set forth in Section E6.8.2 following and are in addition to any applicable rates and charges set forth in any other sections of this tariff. Nonrecurring charges and monthly recurring rates applicable for OptiPoint service are billed in advance. A nonrecurring service upgrade charge as described in Section E6.7.1A.3 following may also apply to OptiPoint services.

1. Nonrecurring charges are one-time charges that apply for a specific work activity (i.e., installation of service) and are developed at full cost recovery on labor hours per labor time basis. For customers who elect the one year commitment period the nonrecurring charge will apply for the installation of the service. However, if at the end of the one year commitment period the customer elects to renew their one year commitment plan, a nonrecurring charge will not apply for the renewal.
2. Monthly recurring charges are flat recurring rates that apply each month or fraction thereof that a specific rate element is provided regardless of the amount of usage. For billing purposes, each month is considered to have 30 days.
3. OptiPoint service is available for minimum commitment periods of **one**, three or five years. If the customer requests that service be discontinued prior to the expiration of the one, three or five year minimum commitment period, a 50% penalty will be assessed for the remaining months of the term. For example, if a customer who has selected the three year option terminates service in month 12, they will be charged 50% of the remaining 24 months of billing. Additionally, customers may discontinue service, without penalty, should the monthly recurring rates increase by 10% or more at any one time. If the customer does not specify renewal terms in writing 90 days prior to the expiration of the one, three or five year service period, the commitment period and OptiPoint rates in effect at the time of expiration will automatically renew. The customer can terminate OptiPoint service at the end of the minimum commitment period with no penalty or obligation to continue the service.

(T)

Embarq Florida, Inc  
**d/b/a CenturyLink**  
 By: Gary Kepley, Director

Fourth Revised Page 71  
 Cancels Third Revised Page 71

(T)

Effective: July 2, 2013

## E6. SWITCHED ACCESS SERVICE

## E6.3 Local Switching Optional Features

Following are descriptions of various optional features that are available in lieu of, or in addition to, the standard features provided with the Feature Groups.

## A. Call Denial on Line or Hunt Group

This option allows for the screening of terminating calls within the LATA and for completion only of calls to 411, 611, 911, TFC, 555-1212, and a Company specified set of NXXs within the local exchange calling area of the dial tone office in which the arrangement is provided. All other "toll" calls are routed to a reorder tone or recorded announcement. This feature is provided in all Company electronic end offices. It is available with Feature Group A.

## B. Service Code Denial on Line or Hunt Group

This option allows for the screening of terminating calls within the LATA and for disallowing completion of calls to 0- 555 and N11 (e.g., 411, 611 and 911). This feature is provided where available in all Company electronic end offices. It is available with Feature Group A.

## C. Hunt Group Arrangement

This option provides the ability to sequentially access one of two or more line side connections in the originating direction, when the access code of the line group is dialed. This feature is provided in all Company end offices. It is available with Feature Group A. FGA services with different methods or providing off-hook supervisory signaling (i.e., provided by customer's equipment vs. forwarded by customers equipment when the called party answers) cannot be mixed in the same hunt group.

## D. Reserved for Future Use

(C)

(D)

(D)

## ACCESS SERVICE TARIFF

Embarq Florida, Inc.  
By: F. B. Poag, Director

Third Revised Page 72  
Cancels Second Revised Page 72

Effective: October 26, 2001

### E6. SWITCHED ACCESS SERVICE

#### E6.3 Local Switching Optional Features (Cont'd)

##### E. Nonhunting number for use with Hunt Group or Uniform Call Distribution Arrangement

This option provides an arrangement for an individual line within a multiline hunt or Uniform Call Distribution (UCD) group that provides access to that line within the hunt or Uniform Call Distribution group when it is idle or provides busy tone when it is busy, when the nonhunting number is dialed. Where available, this feature is provided in Company electronic end offices only. It is available with Feature Group A.

##### F. Automatic Number Identification (ANI)

This option provides the automatic transmission of a seven or ten digit number and information digit to the IC terminal location for calls originating in the LATA, to identify the calling station. The ANI feature is an end office software function which is associated on a call-by-call basis with (1) all individual transmission paths in a trunk group routed directly between an end office and a customer's premises or, where technically feasible, with (2) all individual transmission paths in a trunk group between an end office and an access tandem, and a trunk group between an access tandem and a customer's premises.

The seven digit ANI telephone number is available with Feature Group B provided using Direct-Trunked Transport and with Feature Group C. With these Feature Groups, technical limitations may exist in Company switching facilities which require ANI to be provided only on a directly trunked basis. Where direct trunking would not have been provided except as required by the provision of ANI, additional charges will apply for Provision of Other Than Company Selected Traffic Routing, as set forth in E6.8.2.B. following. ANI will be transmitted on all calls using Feature Group B, or when an ANI failure has occurred. Seven digit ANI is not available with SS7 signaling.

Tariff Page revised 6/5/2006 to reflect company name change from Sprint to Embarq.

## ACCESS SERVICE TARIFF

Embarq Florida, Inc.  
By: F. B. Poag, Director

Second Revised Page 73  
Cancels First Revised Page 73

Effective: October 26, 2001

### E6. SWITCHED ACCESS SERVICE

#### E6.3 Local Switching Optional Features (Cont'd)

##### F. Automatic Number Identification (ANI) (Cont'd)

The ten digit ANI telephone number is only available with Feature Group D with multi frequency address signaling. The ten digit ANI telephone number consists of the Numbering Plan Area (NPA) plus the seven digit ANI telephone number. The ten digit ANI telephone number will be transmitted on all calls except those with ANI failure in which case only the NPA will be transmitted (in addition to the information digit described below). Ten digit ANI is provided with multi frequency address signaling or SS7 Signaling.

With FGC, ANI is provided from end offices at which Company recording for end user billing is not provided, or where it is not required, as with TFC Service. It is not provided from end offices for which the Company needs to forward ANI to its recording equipment.

Where ANI cannot be provided, Information Digits will be provided to the customer.

The Information Digits identify the telephone number is the station billing number no special treatment is required.

Multiparty line-telephone number is a 4 or 8 party line and cannot be identified number must be obtained via an operator or in some other manner.

ANI failure has occurred in the end office switch which prevents identification of calling telephone number - must be obtained by operator or in some other manner.

Hotel/Motel originated call which requires room number identification.

Coinless station, hospital, inmate, etc., call which requires special screening or handling by the customer.



## ACCESS SERVICE TARIFF

Embarq Florida, Inc.  
By: F. B. Poag, Director

Fourth Revised Page 74  
Cancels Third Revised Page 74

Effective: October 26, 2001

### E6. SWITCHED ACCESS SERVICE

#### E6.3 Local Switching Optional Features (Cont'd)

##### F. Automatic Number Identification (ANI) (Cont'd)

Call is an Automatic Identified Outward Dialed (AIOD) call from customer premises equipment.

The ANI telephone number is the listed telephone number of the end user and is not the telephone number of the calling party. These ANI information digits are available with Feature Groups B, C, and D.

Additional ANI information digits are available with Feature Group D only. They include:

InterLATA restricted - telephone number is identified line.

InterLATA restricted - Hotel/Motel line.

InterLATA restricted - hospital, inmate, etc., line.

These information digits will be transmitted as agreed to by the customer and the Company.

##### G. Up to 7 Digit Outpulsing of Access Digits to Customer

This option provides for the end office capability of providing up to 7 digits of the uniform access code (950-1XXX or 950-0XXX) to the customer's premises. The customer can request that only some of the digits in the access code be forwarded. The access code digits would be provided to the customer's premises using multifrequency signaling, and transmission of the digits would precede the forwarding of ANI if that feature were provided. It is available with Feature Group B.

##### H. Cut-Through

This option allows End Users of the customer to reach the customer's premises by using the end of dialing digit (#). This option provides for connection of the call to the premises of the customer indicated by the 101XXXX code upon receipt of the end of dialing digit (#). The Company will not record any other dialed digits for these calls. This option is available with FGD.

Tariff Page revised 6/5/2006 to reflect company name change from Sprint to Embarq.

## ACCESS SERVICE TARIFF

Embarq Florida, Inc.  
By: F. B. Poag, Director

Second Revised Page 75  
Cancels First Revised Page 75

Effective: October 26, 2001

### E6. SWITCHED ACCESS SERVICE

#### E6.3 Local Switching Optional Features (Cont'd)

##### I. Revertive Pulse Address Signaling

This option provides for a DC pulsing arrangement that transmits intelligence in the following manner:

The equipment at the originating location presets itself to represent the number of pulses required and to count the pulses received from the terminating location.

The equipment at the terminating location transmits a series of pulses by the momentary grounding of its battery supply until the originating location breaks the DC path to indicate that the required number of pulses has been counted.

This option is available with Feature Group C.

##### J. Delay Dial Start-Pulsing Signaling

This option provides a method of indicating to the near end trunk circuit readiness to accept address signaling information by the far end trunk circuit. Delay-dial is often referred to as an off-hook, on-hook signaling sequence. The delay-dial signal is the off-hook interval and the start-pulsing signal is the on-hook interval. With integrity check, the calling office will not out pulse until a delay-dial (off-hook) signal followed by a start-pulsing (on-hook) signal has been identified at the calling office. This option is available with Feature Group C.

##### K. Immediate Dial Pulse Address Signaling

This option provides for the forwarding of dial pulses from the Company end office to the customer without the need of a start-pulsing signal from the customer. It is available with Feature Group C.

##### L. Dial Pulse Address Signaling

This trunk side option provides for the transmission of number information, e.g., called number, between the end office switching system and the customer's premises (in either direction) by means of direct current pulses. It is available with Feature Group C.

## ACCESS SERVICE TARIFF

Embarq Florida, Inc.  
By: F. B. Poag, Director

Third Revised Page 76  
Cancels Second Revised Page 76

Effective: October 26, 2001

### E6. SWITCHED ACCESS SERVICE

#### E6.3 Local Switching Optional Features (Cont'd)

##### M. Service Class Routing

This option provides the capability of directing originating traffic from an end office to a trunk group to a customer-designated premises, based on the line class of service (e.g., coin or hotel/motel), service prefix indicator (e.g., 0-, 0+, 01+, or 011+) or service access code (e.g., 500, 800 or 900). It is provided in suitably equipped end office or access tandem switches and is available with Feature Groups C and D.

##### N. Alternate Traffic Routing

1. This option provides the capability of directing originating traffic from an end office (or appropriately equipped access tandem) to a trunk group (the "high usage" group) to a customer designated premises until that group is fully loaded, and then delivering additional originating traffic (the "overflowing" traffic) from the same end office or access tandem to a different trunk group (the "final" group) to a second customer designated premises. The customer shall specify the last trunk CCS desired for the high usage group. It is provided in suitably equipped end office or access tandem switches and is available with Feature Groups B, C and D.

2. End Office Alternate Routing When Ordered in Trunks

This option provides an alternate routing arrangement for customers who order in trunks and have access for a particular feature group to an end office via two routes: one route via an access tandem and one direct route. The feature allows the customers' originating traffic from the end office to be offered first to the direct trunk group and then overflow to the access tandem group. It is provided in suitably equipped end offices and is available with FGB, FGC, and FGD.

Tariff Page revised 6/5/2006 to reflect company name change from Sprint to Embarq.

Embarq Florida, Inc.  
**d/b/a CenturyLink**  
 BY: Gary L. Kepley, Director

Sixth Revised Page 77  
 Cancels Fifth Revised Page 77

(T)

Effective: July 2, 2013

## E6. SWITCHED ACCESS SERVICE

### E6.3 Local Switching Optional Features (Cont'd)

#### O. Trunk Access Limitation

This option provides for the routing of originating 500, 600, 700, TFC or 900 service calls to a specified number of transmission paths in a trunk group, in order to limit (choke) the completion of such traffic to the customer. Calls to the designated service which could not be completed over the subset of transmission paths in the trunk group, i.e., the choked calls, would be routed to reorder tone. It is provided in all Company electronic end offices. It is available with Feature Groups C and D.

#### P. Call Gapping Arrangement

This option, provided in suitably equipped end office switches, provides for the routing of originating calls to 101XXXX or service codes 500, 600, 700, TFC or 900 Service to be switched in the end office to all transmission paths in a trunk group at a prescribed rate of flow, e.g., one call every five seconds, in order to limit (choke) the completion of such traffic to the customer. Calls to the designated service which are denied access by this feature, i.e., the choked calls, would be routed to a no circuit announcement. It is provided in selected Feature Group D equipped end offices and is available only with Feature Group D.

#### Q. Band Advance Arrangement for use with **WATS** Access Line Service

This option, which is provided in association with two or more **WATS** Access Line Service groups, provides for the automatic overflow of terminating calls to a **WATS** group, when that group has exceeded its call capacity, to another **WATS** group with a band designation equal to or greater than that of the overflowing **WATS** group. This arrangement does not provide for call overflow from a group with a higher band designation to one with a lower one. This option is available with Feature Groups C and D.

(T)

(T)

ACCESS SERVICE TARIFF

Embarq Florida, Inc.  
**d/b/a CenturyLink**  
BY: Gary L. Kepley, Director

Fifth Revised Page 78  
Cancels Fourth Revised Page 78

(T)

Effective: July 2, 2013

E6. SWITCHED ACCESS SERVICE

E6.3 Local Switching Optional Features (Cont'd)

- R. End Office End User Line Service Screening for use with **WATS** Access Line Service (T)

This option provides the ability to verify that an end user has dialed a called party address (by screening the called NPA and/or NXX on the basis of geographical bands selected by the Company) which is in accordance with that end user's service agreement with the customer, i.e., WATS. This option is provided in all Company electronic end offices and, where available, in non-equal access electronic end offices in which Dedicated Access Line Service is provided. All blocked calls will be routed to announcement recording. It is available with Feature Groups C and D. The Company will prohibit 101XXXX dialing with the standard arrangement when requested by the customer

- S. Hunt Group Arrangement for use with **WATS** Access Line Service (T)

This option provides the ability to sequentially access one of two or more **WATS** Access Line Services (e.g., TFC Service access lines) in the terminating direction, when the hunting number of the **WATS** Access Line Service group is forwarded from the customer to the Company. It is available with Feature Groups C and D. This feature is provided in all Company end offices in which Dedicated Access Line Service is provided.

- T. Uniform Call Distribution Arrangement for use with **WATS** Access Line Service (T)

This option provides a type of multiline hunting arrangement which provides for an even distribution of terminating calls among the available **WATS** Access Line Services in the hunt group. Where available, this feature is only provided in Company electronic end offices in which **WATS** Access Line Service is provided. It is available with Feature Groups C and D.

ACCESS SERVICE TARIFF

Embarq Florida, Inc.  
**d/b/a CenturyLink**  
BY: Gary L. Kepley, Director

Fifth Revised Page 79  
Cancels Fourth Revised Page 79

(T)

Effective: July 2, 2013

E6. SWITCHED ACCESS SERVICE

E6.3 Local Switching Optional Features (Cont'd)

- U. Nonhunting Number for use with Hunt Group Arrangement or Uniform Call Distribution Arrangement for use with **WATS** Access Line Service. (T)

This option provides an arrangement for an individual **WATS** Access Line Service within a multiline hunt or uniform call distribution group that provides access to that **WATS** Access Line Service within the hunt or uniform call distribution group when it is idle or provides busy tone when it is busy, when the nonhunting number is dialed. Where available, this feature is only provided in Company electronic end offices in which **WATS** Access Line Service is provided. This option is available with Feature Groups C and D. (T)

- V. Enhanced Call Denial on Line or Hunt Group (T)

This option allows for the screening of terminating FGA calls for the completion of calls within the LATA of the dial tone office in which the arrangement is provided. Calls will be completed to 411, 611, 911, TFC, 555-1212, and NXX's within the LATA of the dial tone office in which the arrangement is provided. Calls will not be completed to 950-0XXX, 950-1XXX, 10XXX, interLATA operator assistance (0+, 00-), operator assistance (0-, 1+interLATA, 0/1+900, 011+900. This feature is provided in all Company electronic end offices and is only available with FGA.

## ACCESS SERVICE TARIFF

Embarq Florida, Inc.  
By: F. B. Poag, Director

Third Revised Page 80  
Cancels Second Revised Page 80

Effective: January 4, 2002

### E6. SWITCHED ACCESS SERVICE

#### E6.3 Local Switching Optional Features (Cont'd)

##### X. Flexible Automatic Number Identification (Flex ANI)

The Flex ANI feature provides an enhancement to the existing ANI digits which are included in the ANI optional features described in E6.3.1.F. preceding. The Flex ANI feature provides additional values for the ANI digits that are associated with various classes of service not available with the standard ANI digits. This feature is provided per host central office on a Carrier Identification Code (CIC) basis. Flex ANI is available with Feature Group D Service in equal access end offices where technically feasible and must be provisioned with the ten digit ANI optional feature.

##### Y. Multi frequency Address Signaling

This feature, available with FGB, FGC, and FGD, provides for the transmission of number information and control signals (i.e., number address signals, automatic number identification) between the end office switch and the customer's premises (in either direction). Multifrequency signaling arrangements make use of pairs of frequencies out of a group of six frequencies. Specific information transmitted is dependent upon feature group and call type (i.e., POTS, coin or operator). This feature is not available in combination with SS7 Signaling.

##### Z. Signaling System 7 (SS7) Signaling

This feature provides common channel out of band transmission of address and supervisory SS7 protocol signaling information between the end office switch or the tandem office switching system and the customer's designated premises. The signaling information is transmitted over facilities provided with the Common Channel Signaling/ Signaling System 7 Interconnection Service as specified in E6.1.3 preceding. This feature is available with FGD and will be provided in accordance with the SS7 Interconnect specifications described in Technical Reference Publication GR-905.

Tariff Page revised 6/5/2006 to reflect company name change from Sprint to Embarq.

## ACCESS SERVICE TARIFF

Embarq Florida, Inc.  
By: F. B. Poag, Director

Fifth Revised Page 81  
Cancels Fourth Revised Page 81

Effective: October 26, 2001

### E6. SWITCHED ACCESS SERVICE

#### E6.3 Local Switching Optional Features (Cont'd)

##### AA. Calling Party Number (CPN) Parameter

This feature provides for the automatic transmission of the ten digit directory number, associated with a calling station, to the customer's premises for calls originating in the LATA. The ten digit telephone number consists of the NPA plus the seven digit telephone number, which may or may not be the same number as the calling station's charge number. The ten digit telephone number will be coded as presented, or restricted via a "privacy indicator" for delivery to the called end user. This feature is provided with originating FGD equipped with SS7 Signaling. CPN is available where technically feasible and where the Company has made optional blocking available to the originating end user.

##### AB. Carrier Identification Parameter (CIP)

This option provides for the delivery of the Carrier Identification Code or the access code (101XXXX) to the customer within the initial address message SS7 call setup protocol. CIP is forwarded on originating Feature Group D switched access calls transported over SS7 trunks. CIP is available at no charge from suitably equipped end offices and access tandems.

##### AC. Carrier Selection Parameter (CSP)

This feature provides for the automatic transmission of a signaling indicator which signifies to the customer whether or not the call being processed originated from a presubscribed line. If the line was presubscribed, the indicator will signify if the end user did or did not dial 101XXXX. This feature is provided with originating FGD equipment with SS7 Signaling.



## ACCESS SERVICE TARIFF

Embarq Florida, Inc.  
By: F. B. Poag, Director

Sixth Revised Page 82  
Cancels Fifth Revised Page 82

Effective: January 4, 2002

### E6. SWITCHED ACCESS SERVICE

#### E6.3 Local Switching Optional Features (Cont'd)

##### AD. Call Screening

This feature provides for the passing of call screening digits on all calls that originate from Feature Group A (FGA) lines. With Call Screening, the FGA dial tone office switched translations associated with the FGA line generate the ANI information digits of 07 on each call passed. Call Screening is available with FGA in suitably equipped end offices.

##### AE. Switched 64 Clear Channel Capability

This option provides for a connection capable of transmitting 64.0 kbps digital data with clear channel capability between the customer's designated premises and a suitably equipped end office. Switched 64 Clear Channel Capability allows a customer to transport an all zero octet over a DS1/1.544 Mbps high capacity channel providing an available combined maximum 1.536 Mbps data rate. This option requires all digital facilities, including the use of Interface Group 6 or 9, and is available only with Feature Group D from end offices capable of providing SS7 signaling, Bipolar with Eight Zero Substitution (B8ZS) line code format, and Integrated Services Digital Network (ISDN) or other switched data base services. Switched 64 Clear Channel Capability is available in suitably equipped end offices as specified in the National Exchange Carrier Association, Inc. Tariff F.C.C. No. 4.

##### AF. Rotary Dial Station Signaling

This option provides for the transmission of called party address signaling from rotary dial stations to the customer's premises for originating calls. This option is provided in the form of a specific type of Transport Termination. It is available with Feature Group B, only on a directly trunked basis.

Tariff Page revised 6/5/2006 to reflect company name change from Sprint to Embarq.

ACCESS SERVICE TARIFF

Embarq Florida, Inc.  
By: F. B. Poag, Director

Third Revised Page 83  
Cancels Second Revised Page 83

Effective: October 26, 2001

E6. SWITCHED ACCESS SERVICE

E6.3 Local Switching Optional Features (Cont'd)

AG. Operator Trunk - Full Feature

This option provides the operator functions available in the end office to the customer's operator. These functions are (1) Operator Released, (2) Operator Attached, and (3) Ringback. It is available with Feature Group D and is provided as a trunk type of Transport Termination.

Tariff Page revised 6/5/2006 to reflect company name change from Sprint to Embarq.

ACCESS SERVICE TARIFF

Embarq Florida, Inc.  
By: F. B. Poag, Director

Third Revised Page 84  
Cancels Second Revised Page 84

Effective: October 26, 2001

E6. SWITCHED ACCESS SERVICE

E6.3 Local Switching Optional Features (Cont'd)

Tariff Page revised 6/5/2006 to reflect company name change from Sprint to Embarq.

Embarq Florida, Inc.  
**d/b/a CenturyLink**  
BY: Gary L. Kepley, Director

Third Revised Page 85 (T)  
Cancels Second Revised Page 85

Effective: July 2, 2013

## E6. SWITCHED ACCESS SERVICE

### E6.4 Service Provisioning

Each Switched Access Service transmission path is provided with standard transmission specifications. There are three different standard specifications (Types A, B and C). The standard for a particular transmission path is dependent on the Feature Group, the Interface Group and whether the service is directly routed or via an access tandem. In addition, the **WATS** Access Line is provided with standard transmission specifications for two-wire and four-wire. The available transmission specifications are set forth in E6.4.1 following. Data Transmission Parameters are also provided with each Switched Access Service transmission path and Dedicated Access Line. The Company will, upon notification by the customer that the data parameters set forth in E6.4.2.A., B., or C. are not being met, conduct tests independently or in cooperation with the customer, and take any necessary action to insure that the data parameters are met. (T)

The Company will maintain existing transmission specifications on functioning service configurations installed prior to the effective date of this Tariff except that service configurations having performance specifications exceeding the standards listed in this provision will be maintained at performance levels specified in this Tariff.

The transmission specifications contained in this Section are immediate action limits. Acceptance limits are set forth in Technical Reference Publication GR-3334. This Technical Reference Publication also provides the basis for determining Switched Access Service maintenance limits.

#### E6.4.1 Standard Transmission Specifications

Following are descriptions of the three Standard Transmission Specifications available with Switched Access Service Arrangements and the two Standard Transmission Specifications for Dedicated Access Lines. The specific applications in terms of the Service Arrangement and Interface Groups with which the Service Arrangement Standard Transmission Specifications are provided are set forth in E6.2.1.C., E6.2.2.C., E6.2.3.C., E6.2.4.C., E6.2.5.B., and E6.2.6.B preceding.

ACCESS SERVICE TARIFF

Embarq Florida, Inc.  
By: F. B. Poag, Director

First Revised Page 86  
Cancels Original Page 86

Effective: January 1, 1997

E6. SWITCHED ACCESS SERVICE

E6.4 Service Provisioning (Cont'd)

E6.4.1 Standard Transmission Specifications (Cont'd)

A. Type A Transmission Specifications

Type A Transmission Specifications is provided with the following parameters:

1. Loss Deviation

The maximum Loss Deviation of the 1004 Hz loss relative to the Expected Measured Loss (EML) is +/- 2.0 dB.

2. Attenuation Distortion

The maximum Attenuation Distortion in the 404 to 2804 Hz frequency band relative to the loss at 1004 Hz is -1.0 dB to +3.0 dB.

3. C-Message Noise

The maximum C-Message Noise for the transmission path at the route miles listed is less than or equal to:

<u>C-Message Noise</u>	<u>Route Miles</u>
32 dBrnCO	less than 50
34 dBrnCO	51 to 100
37 dBrnCO	101 to 200
40 dBrnCO	201 to 400
42 dBrnCO	401 to 1000

4. C-Notch Noise

The maximum C-Notch Noise, utilizing a -16 dBm0 holding tone is less than or equal to 45 dBrnCO.

Tariff Page revised 6/5/2006 to reflect company name change from Sprint to Embarq.

ACCESS SERVICE TARIFF

Embarq Florida, Inc.  
 By: F. B. Poag, Director

First Revised Page 87  
 Cancels Original Page 87

Effective: January 1, 1997

E6. SWITCHED ACCESS SERVICE

E6.4 Service Provisioning (Cont'd)

E6.4.1 Standard Transmission Specifications (Cont'd)

A. Type A Transmission Specifications

5. Echo Control

Echo Control, identified as Equal Level Echo Path Loss, and expressed as Echo Return Loss and Singing Return Loss, is dependent on the routing, i.e., whether the service is routed directly from the customer's Point of Termination (POT) to the end office or via an access tandem. It is equal to or greater than the following:

<u>Routing Configuration</u>	<u>Echo Return Loss</u>	<u>Singing Return Loss</u>
POT to Access Tandem	21 dB	14 dB
POT to End Office		
- Direct	N/A	N/A
- Via Access Tandem	16 dB	11 dB

6. Standard Return Loss

Standard Return Loss expressed as Echo Return Loss and Singing Return Loss on two-wire ports of a four-wire point of interface shall be equal to or greater than:

<u>Echo Return Loss</u>	<u>Singing Return Loss</u>
5 dB	2.5 dB

B. Type B Transmission Specifications

Type B Transmission Specifications is provided with the following parameters:

1. Loss Deviation

The maximum Loss Deviation of the 1004 Hz loss relative to the Expected Measured Loss (EML) is +/- 2.5 dB.

ACCESS SERVICE TARIFF

Embarq Florida, Inc.  
By: F. B. Poag, Director

Second Revised Page 88  
Cancels First Revised Page 88

Effective: January 4, 2002

E6. SWITCHED ACCESS SERVICE

E6.4 Service Provisioning (Cont'd)

E6.4.1 Standard Transmission Specifications (Cont'd)

B. Type B Transmission Specifications (Cont'd)

2. Attenuation Distortion

The maximum Attenuation Distortion in the 404 to 2804 Hz frequency band relative to loss at 1004 Hz is -2.0 dB to +4.0 dB.

3. C-Message Noise

The maximum C-Message Noise for the transmission path at the route miles listed is less than or equal to:

<u>Route Miles</u>	<u>C-Message Noise<sup>1</sup></u>	
	<u>Type B1</u>	<u>Type B2</u>
less than 50	32 dBrnCO	35 dBrnCO
51 to 100	33 dBrnCO	37 dBrnCO
101 to 200	35 dBrnCO	40 dBrnCO
201 to 400	37 dBrnCO	43 dBrnCO
401 to 1000	39 dBrnCO	45 dBrnCO

4. C-Notch Noise

The maximum C-Notch Noise, utilizing a -16 dBmO holding tone is less than or equal to 47 dBrnCO.

Note<sup>1</sup>: For Feature Groups C and D only Type B2 will be provided. For Feature Groups A and B, Type B1 or B2 will be provided as set forth in Technical Reference Publication GR-3334.

ACCESS SERVICE TARIFF

Embarq Florida, Inc.  
 By: F. B. Poag, Director

First Revised Page 89  
 Cancels Original Page 89

Effective: January 1, 1997

E6. SWITCHED ACCESS SERVICE

E6.4 Service Provisioning (Cont'd)

E6.4.1 Standard Transmission Specifications (Cont'd)

B. Type B Transmission Specifications (Cont'd)

5. Echo Control

Echo Control, identified as Impedance Balance for FGA and FGB and Equal Level Echo Path Loss for FGC and FGD and expressed as Echo Return Loss (ERL) and Singing Return Loss (SRL) is dependent on the routing, i.e., whether the service is routed directly from the customer Point of Termination (POT) to the end office or via an access tandem. The ERL and SRL also differ by Feature Group, type of termination, and type of transmission path. They are equal to or greater than the following:

<u>Routing Configuration</u>	<u>Echo Return Loss</u>	<u>Singing Return Loss</u>
POT to Access Tandem		
- Terminated in 4-wire trunk	21 dB	14 dB
- Terminated in 2-Wire trunk	16 dB	11 dB
POT to End Office		
- Direct	16 dB	11 dB
- Via Access Tandem		
For FGB access	8 dB	4 dB
For FGC access (Effective 4-Wire transmission path at end office)	16 dB	11 dB
For FGC access (Effective 2-Wire transmission path at end office)	13 dB	6 dB

6. Standard Return Loss

Standard Return Loss, expressed as Echo Return Loss and Singing Return Loss, on a four-wire point of interface shall be equal to or greater than:

<u>Echo Return Loss</u>	<u>Singing Return Loss</u>
5 dB	2.5 dB

Tariff Page revised 6/5/2006 to reflect company name change from Sprint to Embarq.



ACCESS SERVICE TARIFF

Embarq Florida, Inc.  
By: F. B. Poag, Director

Second Revised Page 90  
Cancels First Revised Page 90

Effective: January 4, 2002

E6. SWITCHED ACCESS SERVICE

E6.4 Service Provisioning (Cont'd)

E6.4.1 Standard Transmission Specifications (Cont'd)

C. Type C Transmission Specifications

Type C Transmission Specifications is provided with the following parameters:

1. Loss Deviation

The maximum Loss Deviation of the 1004 Hz loss relative to the Expected Measured Loss (EML) is +/- 3.0 dB.

2. Attenuation Distortion

The maximum Attenuation Distortion in the 404 to 2804 Hz frequency band relative to loss at 1004 Hz is -2.0 dB to +5.5 dB.

3. C-Message Noise

The maximum C-Message Noise for the transmission path at the route miles listed is less than or equal to:

<u>Route Miles</u>	<u>C-Message Noise<sup>1</sup></u>	
	<u>Type C1</u>	<u>Type C2</u>
less than 50	32 dBrnCO	38 dBrnCO
51 to 100	33 dBrnCO	39 dBrnCO
101 to 200	35 dBrnCO	41 dBrnCO
201 to 400	37 dBrnCO	43 dBrnCO
401 to 1000	39 dBrnCO	45 dBrnCO

4. C-Notch Noise

The maximum C-Notch Noise, utilizing a -16 dBmO holding tone is less than or equal to 47 dBrnCO.

Note<sup>1</sup>: For Feature Groups C and D only Type C2 will be provided. For Feature Groups A and B, Type C1 or C2 will be provided as set forth in Technical Reference Publication GR-3334.

ACCESS SERVICE TARIFF

Embarq Florida, Inc.  
**d/b/a CenturyLink**  
 BY: Gary L. Kepley, Director

Second Revised Page 91 (T)  
 Cancels First Revised Page 91

Effective: July 2, 2013

E6. SWITCHED ACCESS SERVICE

E6.4 Service Provisioning(Cont'd)

E6.4.1 Standard Transmission Specifications (Cont'd)

C. Type C Transmission Specifications (Cont'd)

5. Echo Control

Echo Control, identified as Return Loss and expressed as Echo Return Loss and Singing Return Loss, is dependent on the routing, i.e., whether the service is routed directly from the customer's Point of Termination (POT) to the end office or via an access tandem. It is equal to or greater than the following:

<u>Routing Configuration</u>	<u>Echo Return Loss</u>	<u>Singing Return Loss</u>
POT to Access Tandem	13 dB	6 dB
POT to End Office		
- Direct	13 dB	6 dB
- Via Access Tandem (For FGB Only)	8 dB	4 dB

D. **WATS** Access Line Standard Transmission Specifications (T)

1. Standard Two-Wire Voice Transmission Specifications (Cont'd)

a. Loss Deviation

The maximum Loss Deviation of the 1004 Hx loss relative to the Expected Measured Loss (EML) is =4.0 dB.

b. Attenuation Distortion

The maximum Attenuation Distortion in the 404 to 2804 Hx frequency band relative to the loss at 1004 Hx is -3.0 dB to +9.0 dB.

ACCESS SERVICE TARIFF

Embarq Florida, Inc.  
d/b/a CenturyLink  
BY: Gary L. Kepley, Director

Second Revised Page 92  
Cancels First Revised Page 92 (T)

Effective: July 2, 2013

E6. SWITCHED ACCESS SERVICE

E6.4 Service Provisioning(Cont'd)

E6.4.1 Standard Transmission Specifications (Cont'd)

D. WATS Access Line Standard Transmission Specifications (Cont'd) (T)

1. Standard Two-Wire Voice Transmission Specifications (Cont'd)

c. C-Message Noise

The maximum C-Message Noise for the transmission path at the route miles listed is less than:

<u>Route Miles</u>	<u>C-Message Noise</u>
less than 50	35 dBrnCO
51 to 100	37 dBrnCO
101 to 200	40 dBrnCO
201 to 400	43 dBrnCO
401 to 1000	45 dBrnCO

d. Echo Control

Return Loss for both Echo Return Loss (ERL) and Singing Return Loss (SRL), is equal to or greater than:

ERL	6.0 dB
SRL	3.0 dB

2. Standard Four-Wire Voice Transmission Specifications

a. Loss Deviation

The maximum Loss Deviation of the 1004 Hz loss relative to the Expected Measured Loss (EML) is -3.0 dB to +3.0 dB.

b. Attenuation Distortion

The maximum Attenuation Distortion in the 404 to 2804 Hz frequency band relative to loss at 1004 Hz is -1.0 dB to +4.5 dB.

ACCESS SERVICE TARIFF

Embarq Florida, Inc.  
**d/b/a CenturyLink**  
BY: Gary L. Kepley, Director

Second Revised Page 93  
Cancels First Revised Page 93

(T)

Effective: July 2, 2013

E6. SWITCHED ACCESS SERVICE

E6.4 Service Provisioning(Cont'd)

E6.4.1 Standard Transmission Specifications (Cont'd)

D. **WATS** Access Line Standard Transmission Specifications (Cont'd)

(T)

2. Standard Four-Wire Voice Transmission Specifications (Cont'd)

c. C-Message Noise

The Maximum C-Message Noise for the transmission path at the route miles listed is less than:

<u>Route Miles</u>	<u>C-Message Noise</u>
less than 50	35 dBrnCO
51 to 100	37 dBrnCO
101 to 200	40 dBrnCO
201 to 400	43 dBrnCO
401 to 1000	45 dBrnCO

d. Echo Control

The Equal Level Echo Path Loss for both Echo Return Loss (ERL) and Singing Return Loss (SRL), is equal to or greater than:

ERL	15.0 dB
SRL	9.0 dB

E6.4.2 Data Transmission Parameters

Two types of Data Transmission Parameters, i.e., Type DA and Type DB, are provided for Feature Group arrangements. The specific applications in terms of Feature Groups with which they are provided are set forth in E6.2.1.C., E6.2.2.C., E6.2.3.C. and E6.2.4.C. preceding. In addition, **WATS** Access Lines are provided with Data Transmission Parameters. Following are descriptions of each.

(T)

ACCESS SERVICE TARIFF

Embarq Florida, Inc.  
By: F. B. Poag, Director

First Revised Page 94  
Cancels Original Page 94

Effective: January 1, 1997

E6. SWITCHED ACCESS SERVICE

E6.4 Service Provisioning (Cont'd)

E6.4.2 Data Transmission Parameters (Cont'd)

A. Data Transmission Parameters - Type DA

1. Signal to C-Notched Noise Ratio

The Signal to C-Notched Noise Ratio is equal to or greater than 33 dB.

2. Envelope Delay Distortion

The maximum Envelope Delay Distortion for the frequency bands and route miles specified is:

604 to 2804 Hz

less than 50 route miles	500 microseconds
equal to or greater than 50 route miles	900 microseconds

1004 to 2404 Hz

less than 50 route miles	200 microseconds
equal to or greater than 50 route miles	400 microseconds

3. Impulse Noise Counts

The Impulse Noise Counts exceeding a 65 dBrnC0 threshold in 15 minutes is no more than 15 counts.

4. Intermodulation Distortion

The Third Order (R2) and Fourth Order (R3) Intermodulation Distortion products are equal to or greater than:

Third Order (R2)	33 dB
Fourth Order (R3)	37 dB

5. Phase Jitter

The Phase Jitter over the 4 to 300 Hz frequency band is less than or equal to 5 degrees peak-to-peak.

6. Frequency Shift

The maximum Frequency Shift does not exceed -2 to +2 Hz.

Tariff Page revised 6/5/2006 to reflect company name change from Sprint to Embarq.

ACCESS SERVICE TARIFF

Embarq Florida, Inc.  
By: F. B. Poag, Director

First Revised Page 95  
Cancels Original Page 95

Effective: January 1, 1997

E6. SWITCHED ACCESS SERVICE

E6.4 Service Provisioning (Cont'd)

E6.4.2 Data Transmission Parameters (Cont'd)

B. Data Transmission Parameters - Type DB

1. Signal to C-Notched Noise Ratio

The Signal to C-Notched Noise Ratio is equal to or greater than 30 dB.

2. Envelope Delay Distortion

The maximum Envelope Delay Distortion for the frequency bands and route miles specified is:

604 to 2804 Hz

less than 50 route miles	800 microseconds
equal to or greater than 50 route miles	1000 microseconds

1004 to 2404 Hz

less than 50 route miles	320 microseconds
equal to or greater than 50 route miles	500 microseconds

3. Impulse Noise Counts

The Impulse Noise Counts exceeding a 67 dB<sub>rnc</sub>CO threshold in 15 minutes is no more than 15 counts.

4. Intermodulation Distortion

The Third Order (R2) and Fourth Order (R3) Intermodulation Distortion products are equal to or greater than:

Third Order (R2)	31 dB
Fourth Order (R3)	34 dB

5. Phase Jitter

The Phase Jitter over the 4 to 300 Hz frequency band is less than or equal to 7 degrees peak-to-peak.

6. Frequency Shift

The maximum Frequency Shift does not exceed -2 to +2 Hz.

Tariff Page revised 6/5/2006 to reflect company name change from Sprint to Embarq.

ACCESS SERVICE TARIFF

Embarq Florida, Inc.  
**d/b/a CenturyLink**  
BY: Gary L. Kepley, Director

Second Revised Page 96  
Cancels First Revised Page 96

(T)

Effective: July 2, 2013

E6. SWITCHED ACCESS SERVICE

E6.4 Service Provisioning(Cont'd)

E6.4.2 Data Transmission Parameters (Cont'd)

C. **WATS** Access Line Data Transmission Parameters

(T)

1. Signal to C-Notched Noise Ratio

The maximum Signal-to-C-Notched Noise Ratio is 30 dB.

2. Envelope Delay Distortion

The maximum Envelope Delay Distortion for the frequency bands specified is:

1000 microseconds	604 to 2804 Hz
500 microseconds	1000 to 2404 Hz

3. Impulse Noise Counts

The Impulse Noise Counts exceeding a 67 dB<sub>rnCO</sub> threshold in 15 minutes is no more than 15 counts.

4. Intermodulation Distortion

The Third Order (R2) and Fourth Order (R3) Intermodulation Distortion products are equal to or greater than:

Third Order (R2)	31 dB
Fourth Order (R3)	34 dB

5. Phase Jitter

The Phase Jitter over the 4 to 300 Hz frequency band is less than or equal to 7 peak-to-peak.

6. Frequency Shift

The maximum Frequency Shift does not exceed -2 to +2 Hz.

ACCESS SERVICE TARIFF

Embarq Florida, Inc.  
By: F. B. Poag, Director

First Revised Page 97  
Cancels Original Page 97

Effective: January 1, 1997

E6. SWITCHED ACCESS SERVICE

E6.5 Obligations of the Company

In addition to the obligations of the Company set forth in E2, preceding, the Company has certain other obligations pertaining only to the provision of Switched Access Service. These obligations are as follows:

E6.5.1 Network Management

The Company will administer its network to insure the provision of acceptable service levels to all telecommunications users of the Company's network services. Generally, service levels are considered acceptable only when both end users and customers are able to establish connections with little or no delay encountered within the Company network. The Company maintains the right to apply protective controls, i.e., those actions, such as call gapping, which selectively cancel the completion of traffic, over any traffic carried over its network, including that associated with a customer's Switched Access Service. Generally, such protective measures would only be taken as a result of occurrences such as failure or overload of Company or customer facilities, natural disasters, mass calling or national security demands. In the event that the protective controls applied by the Company result in the complete loss of service by the customer, the customer will be granted a Credit Allowance for Service Interruption as set forth in E2.4.4 preceding.

E6.5.2 Design and Traffic Routing of Switched Access Service

When ordering line side or trunk side Switched Access Services, the customer must, at a minimum, specify the Switched Transport facilities to be used (i.e., Entrance Facility, Direct-Trunked Transport, and Tandem-Switched Transport). When specifying the Switched Transport facilities to be used, the customer must indicate if the facilities are new or existing. The customer is also required to specify whether the service should be provided by originating only, terminating only, or two-way trunk groups.



ACCESS SERVICE TARIFF

Embarq Florida, Inc.  
By: F. B. Poag, Director

First Revised Page 98  
Cancels Original Page 98

Effective: January 1, 1997

E6. SWITCHED ACCESS SERVICE

E6.5 Obligations of the Company (Cont'd)

E6.5.2 Design and Traffic Routing of Switched Access Service (Cont'd)

For Feature Groups A and B, the line or trunk directionality and traffic routing of the Switched Access Service between the customer's premises and the entry switch are determined by the customer's order for service. The Company will compare the customer's request with its own traffic routing plan and available facilities and equipment to determine whether the customer's request can be met. The Company is responsible for selection of facilities from the interface to any switching point and to the end offices where capacity is ordered. Except for Feature Group B, the Company will also decide whether trunk side access will be provided through the use of two-wire or four-wire trunk terminating equipment.

Selection of facilities and equipment and traffic routing of the service are based on standard engineering methods, available facilities and equipment, and the Company traffic routing plans. If the customer desires routing or directionality different from that determined by the Company, the Company will work cooperatively with the customer in determining (1) whether the service is to be routed directly to an end office or through an access tandem switch and (2) the directionality of the service. Additionally, for Feature Group B the customer may order the optional feature Customer Specification of Switched Transport Termination.

E6.5.3 Provision of Service Performance Data

Subject to availability, end-to-end service performance data available to the Company through its own service evaluation routines, may also be made available to the customer based on previously arranged intervals and format. These data provide information on overall end-to-end call completion and non-completion performance, e.g., customer equipment blockage, failure results and transmission performance. These data do not include service performance data which are provided under other tariff sections, e.g., testing service results. If data are to be provided in other than paper format, the charges for such exchange will be determined on an individual case basis.

Tariff Page revised 6/5/2006 to reflect company name change from Sprint to Embarq.

ACCESS SERVICE TARIFF

Embarq Florida, Inc  
d/b/a CenturyLink  
By: Gary L. Kepley, Director

Second Revised Page 99  
Cancels First Revised Page 99

Effective: July 1, 2016

E6. SWITCHED ACCESS SERVICE

E6.5 Obligations of the Company (Cont'd)

E6.5.4 Trunk Group Measurements Reports

Subject to availability, the Company will make available trunk group data in the form of usage in CCS, peg count and overflow to the customer based on previously agreed to intervals. Common transport trunk group data reports utilizing the format established by the Industry Carrier Compatibility Forum (ICCF) will be provided to a requesting customer on an end office to access tandem basis. This information will be produced on paper at no charge to the customer. The charges for reporting data via other media are set forth in **E13.3.5.B**, following. Individual case basis charges will apply to any trunk group data reports requested in a format other than that adopted by the ICCF.

(D)  
(T)

E6.5.5 Determination of Number of Transmission Paths

When ordering Switched Access Services in line quantities for Feature Group A or trunk quantities for Feature Groups B, C or D, the customer shall specify the number of transmission paths in lines or trunks based on their expected originating and terminating traffic.

E6.5.6 Determination of Number of End Office Transport Terminations

For analog entry switches, a termination will be provided for each transmission path provided. For digital entry switches, an equivalent termination will be provided for each transmission path provided.

ACCESS SERVICE TARIFF

Embarq Florida, Inc.  
By: F. B. Poag, Director

First Revised Page 100  
Cancels Original Page 100

Effective: January 1, 1997

E6. SWITCHED ACCESS SERVICE

E6.5 Obligations of the Company (Cont'd)

E6.5.7 Design Blocking Probability

- A. The Company will design and monitor the capacity of the Switched Access Services to be provided to meet the blocking probability criteria as set forth in 1. through 4. following.
1. For Feature Groups A and B, no design blocking criteria apply.
  2. For Feature Group C, the design blocking objective will be no greater than one percent (.01) between the point of interface at the customer's premises and the first point of switching when traffic is directly routed without an alternate route. Standard traffic engineering methods will be used by the Company to determine the number of transmission paths required to achieve this level of blocking.
  3. For Feature Group D, the design blocking objective for the final group will be no greater than one percent (.01) between the point of interface at the customer's premises and the end office switch, whether the traffic is directly routed without an alternate route or when routed via an access tandem. Standard traffic engineering methods as set forth in Reference Document PUB SR EOP-000191 Trunk Traffic Engineering Concepts and Applications will be used by the Company to determine the number of transmission paths required to achieve this level of blocking.

Tariff Page revised 6/5/2006 to reflect company name change from Sprint to Embarq.

## ACCESS SERVICE TARIFF

Embarq Florida, Inc.  
By: F. B. Poag, Director

Second Revised Page 101  
Cancels First Revised Page 101

Effective: July 25, 2001

### E6. SWITCHED ACCESS SERVICE

#### E6.5 Obligations of the Company (Cont'd)

##### E6.5.7 Design Blocking Probability (Cont'd)

###### A. (Cont'd)

4. The design blocking criteria for TFC Access Service or 900 Access Service provided from an end office not equipped with equal access capabilities will be equivalent to that set forth preceding for Feature Group C except when more than one tandem is employed in the transport of a TFC Access Service or 900 Access Service call. The design blocking criteria for TFC Access Service or 900 Access Service provided from an end office equipped with equal access capabilities will be equivalent to that set forth preceding for Feature Group D except when more than one tandem is employed in the transport of a TFC Access Service or 900 Access Service call. In the event of a 900 Access Service media stimulated call, the design blocking objective of not greater than one percent (.01) will not be guaranteed.
5. The Company will perform routine measurement functions, except on Feature Groups A and B, for the capacity ordered, whether ordered in lines or trunks, in accordance with Company design blocking criteria to assure that an adequate number of transmission paths are in service. The Company will recommend that additional trunks be ordered by the customer when additional paths are required to reduce the measured blocking to the designed blocking level. For the trunks ordered the design blocking objective is assumed to have been met if the routine measurements show that the measured blocking does not exceed the threshold listed in the following tables.

Tariff Page revised 6/5/2006 to reflect company name change from Sprint to Embarq.

ACCESS SERVICE TARIFF

Embarq Florida, Inc.  
 By: F. B. Poag, Director

First Revised Page 102  
 Cancels Original Page 102

Effective: January 1, 1997

E6. SWITCHED ACCESS SERVICE

E6.5 Obligations of the Company (Cont'd)

E6.5.7 Design Blocking Probability (Cont'd)

A. (Cont'd)

5. (Cont'd)

- a. For transmission paths carrying only first routed traffic direct between an end office and a customer's premises without an alternate route, and for paths carrying only overflow traffic, the measured blocking thresholds are as follows:

Number of Transmission Paths Per Trunk Group	Measured Blocking Thresholds in the Busy Hour for the Number of Measurements Taken Between 8:00 A.M. and 11:00 P.M. Per Trunk Group			
	15-20	11-14	7-10	3-4
	Measurements			
2	.070	.080	.090	.140
3	.050	.060	.070	.090
4	.050	.060	.070	.080
5-6	.040	.060	.060	.070
7 or more	.030	.035	.040	.060

- b. For transmission paths carrying first routed traffic between an end office and customer's premises via an access tandem, the measured blocking thresholds are as follows:

Number of Transmission Paths Per Trunk Group	Measured Blocking Thresholds in the Busy Hour for the Number of Measurements Taken Between 8:00 A.M. and 11:00 P.M. Per Trunk Group			
	15-20	11-14	7-10	3-4
	Measurements			
2	.045	.055	.060	.095
3	.035	.040	.045	.060
4	.035	.040	.045	.055
5-6	.025	.035	.040	.045
7 or more	.020	.025	.030	.040

Tariff Page revised 6/5/2006 to reflect company name change from Sprint to Embarq.

ACCESS SERVICE TARIFF

Embarq Florida, Inc.  
By: F. B. Poag, Director

Second Revised Page 103  
Cancels First Revised Page 103

Effective: February 18, 1997

E6. SWITCHED ACCESS SERVICE

E6.6 Obligations of the Customer

- A. It shall be the responsibility of the customer to provide adequate trunking capacity, to avoid any adverse affects to the telecommunications network.
- B. In addition to the obligations of the customer set forth in E2. preceding, the customer has certain specific obligations pertaining to the use of Switched Access Service. These obligations are as follows:

E6.6.1 Report Requirements

- A. Customers are responsible for providing the following reports to the Company, when applicable.

- 1. Jurisdictional Reports

When a customer orders Switched Access Service for both interstate and intrastate use, the customer is responsible for providing reports as set forth in E2.3.11 preceding. Charges will be apportioned in accordance with E2.3.11 preceding. The method to be used for determining the intrastate charges is set forth in E2.3.12 preceding.

- 2. Code Screening Reports

When a customer orders service class routing, trunk access limitation or call gapping arrangements, it must report the number of trunks and/or appropriate codes to be instituted in each end office or access tandem switch, for each of the arrangements ordered.

- 3. TFC/500/900 NXX Code Testing

When ordering TFC Access Service, Interim 500 Access Service, or 900 Access Service, the customer will reserve and assign within their network the TFC/500/900 NXX-4141 as an access test number(s). The Company will use this number to verify that TFC/500/900 Access Service is being provided to the customer's network when the customer's TFC/500/900 NXX is activated in the Company's network.

Tariff Page revised 6/5/2006 to reflect company name change from Sprint to Embarq.

Embarq Florida, Inc.  
**d/b/a CenturyLink**  
BY: Gary L. Kepley, Director

Third Revised Page 104  
Cancels Second Revised Page 104

(T)

Effective: July 2, 2013

## E6. SWITCHED ACCESS SERVICE

## E6.6 Obligations of the Customer

## E6.6.1 Report Requirements (Cont'd)

## A. (Cont')

## 4. TFC/500/900 NXX Code Trouble Reporting

When ordering TFC Access Service, Interim 500 Access Service, or 900 Access Service, the customer will reserve and assign within their network the TFC/500/900 NXX-0000 as a trouble reporting number(s). The Company will use this number(s) to assure the customer that originating TFC/500/900 Access Service trouble reports are being reported to their trouble reporting centers.

## 5. TFC/500/900 Access Service NXX Codes

- a. All 500/900 NXX Code assignments and administration shall be in accordance with the North American Numbering Plan (NANP)
- b. When ordering Interim 500 Access Service or 900 Access Service, NXX Codes to be activated and NXX Codes to be deactivated must be provided to the Company at least 30 calendar days prior to the effective date of the change. Customer assigned codes, for which an order has not been received, will be blocked. When Interim 500 Access Service or 900 Access Service intrastate traffic is terminated on a switched access line, the customer must notify the Company of all local exchange telephone numbers to which 500/900 Access Service traffic is designated so that the Company can balance the end office in accordance with standard Company engineering practices for heavy volume lines.

(C)

ACCESS SERVICE TARIFF

Embarq Florida, Inc  
**d/b/a Centurylink**  
BY: Gary L. Kepley, Director

Second Revised Page 105  
Cancels First Revised Page 105

(T)

Effective: July 2, 2013

E6. SWITCHED ACCESS SERVICE

E6.6 Obligations of the Customer (Cont'd)

E6.6.2 Supervisory Signaling

The customer facilities shall provide the necessary on and off-hook, answer, and disconnect supervision.

E6.6.3 Trunk Group Measurements Report

With the agreement of the customer, trunk group data in the form of usage in CCS, peg count and overflow for its end of all access trunk groups, where technologically feasible, will be made available to the Company. These data will be used to monitor trunk group utilization and service performance and will be based on previously arranged intervals and format.

E6.6.4 Design of Switched Access Services

When a customer orders Switched Access Service on a per line or trunk basis, it is the customer's responsibility to assure that sufficient access service facility quantities have been ordered to handle its traffic.

E6.7 Rate Regulations

This section contains the specific regulations governing the rates and charges that apply for Switched Access Service.

E6.7.1 Description and Application of Rates and Charges

A. There are **four** types of rates and charges that apply to Switched Access Service. These are monthly recurring rates, including fixed and per mile, usage rates, nonrecurring charges **and zone density charges**. These rates and charges are applied differently to the various rate elements as set forth following. (C)

1. Monthly Rates (C)

Monthly rates are flat recurring rates that apply each month or fraction thereof that a specific rate element is provided regardless of the amount of usage. Monthly rates may be either distance sensitive (per mile) or non-distance sensitive (fixed). For billing purposes each month is considered to have 30 days.



ACCESS SERVICE TARIFF

Embarq Florida, Inc.  
By: F. B. Poag, Director

Second Revised Page 106  
Cancels First Revised Page 106

Effective: February 18, 1997

E6. SWITCHED ACCESS SERVICE

E6.7 Rate Regulations (Cont'd)

E6.7.1 Description and Application of Rates and Charges (Cont'd)

A. (Cont'd)

2. Usage Rates

Usage rates are rates that apply only when a specific rate element is used. These are applied on a per access minute basis. Access minute charges are accumulated over a monthly period.

3. Nonrecurring Charges

Nonrecurring charges are one-time charges that apply for a specific work activity (i.e., installation or change to an existing service). The types of nonrecurring charges that apply for Switched Access Service are: installation of service, service rearrangements, Interim 500 Access Service and 900 Access Service.

a. Installation of Service

Nonrecurring charges apply to each Switched Access Service installed. For FGA, the per line installation charge is applicable. For FGB, FGC, FGD, TFC, 500 and 900, the per trunk installation charge is applicable on a per end office or tandem basis. For Switched Transport Services (i.e., Entrance Facility, Direct-Trunked Transport and Tandem-Switched Transport), the per trunk installation charge is applicable for each Voice Grade, DS1 or DS3 facility.

b. If a separate nonrecurring charge applies for the installation of an optional feature available with Switched Access Service, the charge applies whether the feature is installed coincident with the initial installation of service or at any time subsequent to the initial installation of service.

ACCESS SERVICE TARIFF

Embarq Florida, Inc.  
By: F. B. Poag, Director

First Revised Page 107  
Cancels Original Page 107

Effective: January 1, 1997

E6. SWITCHED ACCESS SERVICE

E6.7 Rate Regulations (Cont'd)

E6.7.1 Description and Application of Rates and Charges (Cont'd)

A. (Cont'd)

3. Nonrecurring Charges (Cont'd)

c. Service Rearrangements

All changes to existing services other than changes involving administrative activities only will be treated as a discontinuance of the existing service and an installation of a new service. The nonrecurring charge described in a. preceding will apply for this work activity.

Service rearrangements are changes to existing services installed which do not result in either a change in the minimum period requirements or a change in the physical location of the point of termination at the customer's premises or the customer's end user's premises. Changes which result in the establishment of new minimum period obligations are treated as disconnects and starts. Changes in the physical location of the point of termination are treated as moves and are described and charged for as set forth in E6.7.6 following.

The charge to the customer for the service rearrangement is dependent on whether the change is administrative only in nature or involves an actual physical change to the service.

Administrative changes will be made without charge(s) to the customer. Such changes require the continued provision and billing of the Access Service to the same entity (i.e., customer remains responsible for all outstanding indebtedness for the Access Service).

## ACCESS SERVICE TARIFF

Embarq Florida, Inc.  
By: F. B. Poag, Director

Second Revised Page 108  
Cancels First Revised Page 108

Effective: March 30, 2004

### E6. SWITCHED ACCESS SERVICE

E6.7 Rate Regulations (Cont'd)

E6.7.1 Description and Application of Rates and Charges (Cont'd)

A. (Cont'd)

3. Nonrecurring Charges (Cont'd)

c. Service Rearrangements (Cont'd)

Administrative changes are as follows:

- Change of customer name (i.e., the customer of record does not change but rather the customer of record changes its name - e.g., AT&T Long Lines to AT&T Communications),
- Change of customer or customer's end user premises address when the change of address is not a result of a physical relocation of equipment,
- Change in billing data (name, address, or contact name or telephone number),
- Change of agency authorization,
- Change of customer circuit identification,
- Change of billing account number,
- Change of customer test contact number,
- Change of customer or customer's end user contact name or telephone number, and
- Change of jurisdiction.

All other service rearrangements will be charged for as follows:

- If the charge involves the addition of or a modification to an optional feature which has a separate nonrecurring charge, that nonrecurring charge will apply.
- Rearrangements to convert FGD trunks from multifrequency address signaling to SS7 Signaling will be provided at no charge. Rearrangements to convert FGD trunks from SS7 Signaling to multifrequency address signaling will incur nonrecurring charge(s) as specified in E6.8.3.A following. Such conversions will be scheduled on a project basis by the Company in cooperation with the customer.

Tariff Page revised 6/5/2006 to reflect company name change from Sprint to Embarq.

ACCESS SERVICE TARIFF

Embarq Florida, Inc.  
By: F. B. Poag, Director

First Revised Page 109  
Cancels Original Page 109

Effective: January 1, 1997

E6. SWITCHED ACCESS SERVICE

E6.7 Rate Regulations (Cont'd)

E6.7.1 Description and Application of Rates and Charges (Cont'd)

A. (Cont'd)

3. Nonrecurring Charges (Cont'd)

c. Service Rearrangements (Cont'd)

- When the service switching point (SSP) is located at the Company's access tandem or end office, trunk rearrangements will be provided at the charges set forth in E6.8.3.A following when all of the following conditions apply:

- (1) End office and tandem trunk rearrangements will be provided only on Feature Group D trunks located at the end office switch.
- (2) The customer must disconnect one trunk at the end office or access tandem for each trunk installed at the SSP-equipped tandem. The number of trunks being connected at the SSP-equipped tandem cannot exceed the number of trunks disconnected.
- (3) The customer must place the order to connect at the SSP-equipped tandem at the same time the order is placed to disconnect from the end office or tandem. The due date of the disconnection order cannot be more than six months later than the due date of the order to install at the SSP-equipped tandem.
- (4) Orders to install at the SSP-equipped tandem must be received by the Company with a due date no later than six months after conversion to TFC number portability.

If the Company installs an SSP at the end office or tandem, upon receipt of an access order prior to December 31, 1995, the customer's trunks will be rearranged from the SSP-equipped tandem to the original end office or tandem.

Tariff Page revised 6/5/2006 to reflect company name change from Sprint to Embarq.

ACCESS SERVICE TARIFF

Embarq Florida, Inc.  
By: F. B. Poag, Director

First Revised Page 110  
Cancels Original Page 110

Effective: January 1, 1997

E6. SWITCHED ACCESS SERVICE

E6.7 Rate Regulations (Cont'd)

E6.7.1 Description and Application of Rates and Charges (Cont'd)

A. (Cont'd)

3. Nonrecurring Charges (Cont'd)

c. Service Rearrangements (Cont'd)

(4) Cont'd

When the SSP is not located at the Company's point of switching, and traffic routing changes for end office to tandem trunking are required, a charge equal to one half the Switched Transport nonrecurring (i.e., installation) charge will apply on a per end office basis at the charges set forth in E6.8.2.E following.

The nonrecurring charges associated with routing trunks from tandem to end office or from end office to tandem transport will not apply when the following conditions are met:

- The customer must maintain the same customer premises location. Requests to add or change optional features will be subject to the charges applicable to the features.
- Direct routed end office trunks must subtend the tandem from which the service is being rearranged.
- One trunk at the end office or tandem must be disconnected for each rerouted tandem or end office trunk installed with the following exception. If the customer demonstrates that industry accepted engineering standards require the installation of additional trunks, the nonrecurring charges for such additional trunks will not apply.
- The order to disconnect from the tandem or end office must be placed at the same time as the order to connect at the tandem or end office. The due date for the disconnect order may not be more than 90 days after the due date for the order to install the tandem or end office trunk.
- 

Tariff Page revised 6/5/2006 to reflect company name change from Sprint to Embarq.

## ACCESS SERVICE TARIFF

Embarq Florida, Inc.  
By: F. B. Poag, Director

Third Revised Page 111  
Cancels Second Revised Page 111

Effective: October 16, 2002

### E6. SWITCHED ACCESS SERVICE

#### E6.7 Rate Regulations (Cont'd)

##### E6.7.1 Description and Application of Rates and Charges (Cont'd)

###### A. Basic Service Description (Cont'd)

###### 3. Nonrecurring Charges (Cont'd)

###### c. Service Rearrangements (Cont'd)

These nonrecurring charges include installation of new facilities between the Company serving wire center and the customer's designated premises when such facilities are required to provision rerouted trunks.

- The nonrecurring charges associated with upgrades in capacity (i.e., multiple DS0s converting to DS1s or multiple DS1s converting to DS3s or STS1's, or DS3's converting to STS1's) will not apply when the customer maintains the same customer premises location. Requests to add or change optional features will be subject to the nonrecurring charges associated with the features requested.
- A nonrecurring service upgrade charge, as set forth in Section E6.8.2 following, will apply per DS1 or DS3 or STS1 upgraded when converting existing high capacity services to OptiPoint service. The charge does not apply when OptiPoint is ordered as a new service and no existing high capacity services are being relocated to the OptiPoint service. For orders for new service submitted after January 19, 2001, the nonrecurring service upgrade charge will apply for each DS1 or DS3 or STS1 channel connected to a new OptiPoint service when existing DS1 or DS3 or STS1 facilities between the same points of termination as the new OptiPoint service are disconnected within 30 days of the order for new services.

Service rearrangements to redirect traffic from direct routed to tandem routed for performance of the Toll Free Code (TFC) data base query required for TFC Access Service, where the TFC query function is initially available only at the tandem, will be assessed the End Office to Tandem Rearrangement Charge set forth in E6.8.3.A.5 following. When the TFC data base query function becomes available for TFC Access Service at end offices subtending the tandem to which customers have redirected TFC traffic, customers will be allowed to rearrange TFC traffic from tandem routed to direct routed at no charge provided that the same customer premises is maintained.

Tariff Page revised 6/5/2006 to reflect company name change from Sprint to Embarq.

## ACCESS SERVICE TARIFF

Embarq Florida, Inc.  
By: F. B. Poag, Director

Fourth Revised Page 112  
Cancels Third Revised Page 112

Effective: June 7, 2003

### E6. SWITCHED ACCESS SERVICE

#### E6.7 Rate Regulations (Cont'd)

##### E6.7.1 Description and Application of Rates and Charges (Cont'd)

###### A. Basic Service Description (Cont'd)

###### 3. Nonrecurring Charges (Cont'd)

###### c. Service Rearrangements (Cont'd)

- For service rearrangements involving OC3, OC12, OC48 or OC192 switched access services (e.g., OptiPoint Service), a charge equal to one half the Optical Service Charge set forth in E6.8.8 will apply for each node rearranged.

- For all other changes, including the addition of, or modifications to, optional features without separate nonrecurring charges, a charge equal to one half the Switched Transport nonrecurring (i.e., installation) charge will apply. When an optional feature is not required on each transmission path, but rather for an entire transmission path group, an end office or an access tandem switch, only one such charge will apply (i.e., it will not apply per transmission path).

d. When an optional feature is not required on each transmission path, but rather for an entire transmission path group, an end office or an access tandem switch, only one such charge will apply (i.e., it will not apply per transmission path).

###### e. Toll Free Code (TFC) Assess Service

A per call charge as specified in E6.8.5 following applies on a per query basis for each TFC call query received at the TFC data base. When a combination of one or more of the optional features is requested, only one such charge shall apply.

###### f. 900 Access Service

A nonrecurring charge as specified in E6.8.6 following applies each time a change is made which involves the addition or deletion of 900 NXX codes to be routed to the customer. The charge is assessed per 900 NXX code added or deleted for each Company end office switch or access tandem in which translation changes are required. This charge applies to the initial loading of one or more 900 NXX codes required to establish service for the customer, and to any subsequent changes (i.e., additions or deletions) to those codes. There is also an Assembly of Route Pattern nonrecurring charge which applies once for each Company end office, but only on the customer's initial request to the Company for 900 Access Service.

Tariff Page revised 6/5/2006 to reflect company name change from Sprint to Embarq.

ACCESS SERVICE TARIFF

Embarq Florida, Inc  
d/b/a CenturyLink  
BY: Gary L. Kepley, Director

Second Revised Page 112.1  
Cancels First Revised Page 112.1

(T)

Effective: July 2, 2013

E6. SWITCHED ACCESS SERVICE

E6.7 Rate Regulations (Cont'd)

E6.7.1 Description and Application of Rates and Charges (Cont'd)

A. (Cont'd)

3. Nonrecurring Charges (Cont'd)

g. Interim 500 Access Service

A nonrecurring charge as specified in 6.8.7 following applies each time a change is made which involves the addition or deletion of 500 NXX codes to be routed to the customer. The charge is assessed per 500 NXX code added or deleted for each Company end office switch or access tandem in which translation changes are required. This charge applies to the initial loading of one or more 500 NXX codes required to establish service for the customer, and to any subsequent changes (i.e., additions or deletions) to those codes. There is also an Assembly of Route Pattern nonrecurring charge which applies once for each Company end office, but only on the customer's initial request to the Company for Interim 500 Access Service.

4. Zone Density Charges

Zone density charges are applicable only to DS1, DS3 and OptiPoint switched access services ( i.e., Entrance Facility, Direct-Trunked Transport, Tandem Switching and related Multiplexing) provided at the Telephone Company designated exchanges set forth in Section 6.7.18 following. Zone density charges are recurring rates that apply each month or fraction thereof that the affected switched access service is provided. For billing purposes, each month is considered to have 30 days.

(N)

(N)



ACCESS SERVICE TARIFF

Embarq Florida, Inc.  
By: F. B. Poag, Director

Third Revised Page 113  
Cancels Second Revised Page 113

Effective: January 2, 2002

E6. SWITCHED ACCESS SERVICE

E6.7 Rate Regulations (Cont'd)

E6.7.2 Minimum Periods

The minimum service period for all Switched Access Service is one month, with the exception of OptiPoint Services and Feature Group D. Feature Group D is provided for a minimum of three months.

E6.7.3 Switched Access Service for Resale of Other Customer Service

When the customer plans to use line side Switched Access Service to collect the traffic of its customers in association with the resale of a customer service that is provided through the use of originating only Dedicated Access Line Service provided under this Tariff (i.e., resale of WATS), the following regulations, rates and charges shall apply.

A The customer shall notify the Company in writing that line side Switched Access Service is to be used in association with the resale of Dedicated Access Line Service. With its notification, the customer shall furnish the following data:

1. The number of Dedicated Access Line Services in the LATA that it is reselling in association with the line side Switched Access Service, and
2. The customer's premises (i.e., closed end user location) where the Dedicated Access Line Services are terminated, and
3. When both line side (i.e., FGA) and trunk side (i.e., FGB, FGC and FGD) Switched Access Service are used in association with the resale of Dedicated Access Line Service, the number of Dedicated Access Line Services to be associated with each line side or trunk side Switched Access Service. If this split is not reported, the Company will assume all the Dedicated Access Line Services are to be associated with line side Switched Access Service.

The preceding information and the information required in B. following must be reported for each LATA in which the customer is reselling services. For those LATAs that are multistate LATAs, the customer must report the information by state within the LATA. In order for the rate treatment in D. following to apply, both the Switched Access Service and the associated dedicated Access Line Services must be in the same state and be provided by the same Company.

Tariff Page revised 6/5/2006 to reflect company name change from Sprint to Embarq.

ACCESS SERVICE TARIFF

Embarq Florida, Inc.  
By: F. B. Poag, Director

First Revised Page 114  
Cancels Original Page 114

Effective: January 1, 1997

E6. SWITCHED ACCESS SERVICE

E6.7 Rate Regulations (Cont'd)

E6.7.3 Switched Access Service for Resale of Other Customer Service (Cont'd)

- B. Each of the Switched Access Services used by the customer in association with the resale of Dedicated Access Line Service must be in the same LATA as the Dedicated Access Line Services in order for such Switched Access Service to be rated as set forth in D. following. The Switched Access Service must also be connected either directly or indirectly to the customer's premises at which the associated Dedicated Access Line Services are terminated. Direct connections are those where the Switched Access Service is terminated at the same customer's premises. Indirect connections are those where the Switched Access Service is terminated at a second customer's premises in the same LATA, which is in turn connected to the first customer's premises by facilities that can be used by the Switched Access Service to reach the first customer's premises (i.e., the customer's premises where the Dedicated Access Line Services are terminated). When more than one customer's premises is involved in a LATA, the customer shall notify the Company in writing and shall report the locations of the involved customer's premises.
- C. For the initial month, the data that the customer reports as set forth in A. and B. preceding will be used by the Company to determine the rates and charges as set forth in D. following. For each subsequent month, the customer must update the report per A. and B. preceding for each LATA for the preceding monthly period. The report shall be delivered to the Company, at a location specified by the Company, no later than 15 days after the bill date shown on the Dedicated Access Line Services bill. If an updated report is required but is not received by the Company during the monthly period after the initial monthly period, the Company will assume there are no resold Dedicated Access Line Services associated with Switched Access Services in the LATA. The rate treatment set forth in D. following will not apply in these cases.
- D. When the customer reports Switched Access Services associated with the resale of Dedicated Access Line Services in a LATA as set forth in A., B. and C. preceding, and the Company verifies the reports are accurate, such Switched Access Services will be rated as follows:

Tariff Page revised 6/5/2006 to reflect company name change from Sprint to Embarq.

ACCESS SERVICE TARIFF

Embarq Florida, Inc.  
By: F. B. Poag, Director

First Revised Page 115  
Cancels Original Page 115

Effective: January 1, 1997

E6. SWITCHED ACCESS SERVICE

E6.7 Rate Regulations (Cont'd)

E6.7.3 Switched Access Service for Resale of Other Customer Service (Cont'd)

D. (Cont'd)

For line side Switched Access Services (i.e., FGA) in a LATA associated with the resale of Dedicated Access line Services, the LATA access minutes used to determine the charges for Switched Transport, Local Switching and Line Termination will be reduced by the total number of minutes each Dedicated Access Line Service reported by the customer as set forth in A., B. or C. preceding. However, the access minutes for the line side Switched Access Services in the LATA, adjusted as set forth in this or any other section of this Tariff, that are billed to a customer in a monthly period shall not be less than zero. The adjustment will be made to the involved customer account no later than either the next bill date, or the one subsequent to that, depending on when the report is received.

E. When the customer notifies the Company that Switched Access Service is to be used in association with the resale of Dedicated Access Line Service, the notification automatically grants the Company the right to audit (1) the customer's premises to verify the use of facilities as reported in A., B. or C. preceding, and (2) all of the records, work papers and back up documentation for each report as set forth in A., B. or C. preceding. The Company also has the right to contact and review the records of other involved entities to verify the data the customer reports is accurate.

All of the records, work paper and backup documentation for each report furnished the Company as set forth in A., B. or C. preceding shall be available (for one year from the date of the report) during normal business hours at a customer location in the involved LATA, upon reasonable request by the Company, in order to permit a review by the Company auditor or outside auditor under contract to the Company. If the records, work papers and backup documentation are not provided or are insufficient or not in accordance with the provision of this paragraph and A., B. and C. preceding, the adjustments and rates as set forth in D. preceding shall not apply until the deficiencies are corrected and new reports as required in A., B. and C. preceding are delivered to the Company.

Tariff Page revised 6/5/2006 to reflect company name change from Sprint to Embarq.

ACCESS SERVICE TARIFF

Embarq Florida, Inc.  
By: F. B. Poag, Director

First Revised Page 116  
Cancels Original Page 116

Effective: January 1, 1997

E6. SWITCHED ACCESS SERVICE

E6.7 Rate Regulations (Cont'd)

E6.7.3 Switched Access Service for Resale of Other Customer Service (Cont'd)

- F. When the customer reports line side Switched Access Services associated with the resale of Dedicated Access Line Service in a LATA, as set forth in A., B. or C. preceding, the regulations set forth in E3.7.D. preceding shall apply.

E6.7.4 Minimum Monthly Charge

Switched Access Service is subject to a minimum monthly charge. The minimum charge applies for the total capacity provided. The minimum monthly charge consists of the following elements:

- A. For those rate elements that are billed a flat monthly rate, i.e., Dedicated Access Line, the minimum monthly charge is the monthly rate as set forth in E6.8. following.
- B. The minimum monthly charge for the Interconnection, Tandem-Switched Transport, Local Switching and Line Termination rate elements is the sum of the charges as set forth in E6.8.3.A. and B. following for the measured or assumed usage for the month adjusted as set forth in E6.7.3.D. preceding. For flat rated Switched Access services, the minimum monthly charge for the Entrance Facility and Direct-Trunked Transport rate elements is the applicable monthly rate for the service.

E6.7.5 Change of Feature Group Type

Changes from one type of Feature Group to another will be treated as a discontinuance of one type of service and a start of another. Nonrecurring charges will apply, with one exception. When a customer upgrades a Feature Group A, B, or C service to a Feature Group D service of the same capacity in the same end office, the nonrecurring charges will not apply.

At the time the customer upgrades from FGA, FGB or FGC to FGD, the customer may also change the facility used to provide the upgraded service. This change will be made at no additional charge and may include a change in the connection type (e.g., Voice Grade to DS1) and/or a change in the facility type e.g., Direct-Trunked Transport to Tandem-Switched Transport.

Tariff Page revised 6/5/2006 to reflect company name change from Sprint to Embarq.

ACCESS SERVICE TARIFF

Embarq Florida, Inc.  
By: F. B. Poag, Director

First Revised Page 117  
Cancels Original Page 117

Effective: January 1, 1997

E6. SWITCHED ACCESS SERVICE

E6.7 Rate Regulations (Cont'd)

6.7.5 Change of Feature Group Type (Cont'd)

When a customer upgrades a Feature Group A, B or C service to Feature Group D service, minimum period obligations will not change, i.e., the time elapsed in the existing minimum period obligations will be credited to the minimum period obligations for Feature Group D service. For all other changes from one type of Feature Group to another, new minimum period obligations will be established.

E6.7.6 Moves

A. A move involves a change in the physical location of one of the following:

1. The point of termination at the customer's premises
2. The customer's premises

B. The charges for the move are dependent on whether the move is to a new location within the same building or to a different building.

1. Moves Within the Same Building

When the move is to a new location within the same building, the charge for the move will be an amount equal to one-half of the nonrecurring charge for the capacity affected. There will be no change in the minimum period requirements.

2. Moves to a Different Building

Moves to a different building will be treated as a discontinuance and start of service and all associated nonrecurring charges will apply. New minimum period requirements will be established for the new service. The customer will also remain responsible for satisfying all outstanding minimum period charges for the discontinued service.

ACCESS SERVICE TARIFF

Embarq Florida, Inc.  
By: F. B. Poag, Director

First Revised Page 118  
Cancels Original Page 118

Effective: January 1, 1997

E6. SWITCHED ACCESS SERVICE

E6.7 Rate Regulations (Cont'd)

E6.7.7 Measuring Access Minutes

Customer traffic to end office switches will be measured (i.e., recorded or assumed) by the Company at end office switches, access tandem switches, service switching points (SSPs), or service transfer points (STPs). Originating and terminating calls will be measured (i.e., recorded or assumed) by the Company to determine the basis for computing chargeable access minutes. For terminating calls over FGA, FGB, FGC to TFC and FGD, and for originating calls over FGA where the off-hook supervisory signal is provided by the customer's equipment and FGB and FGD, the measured minutes are the chargeable access minutes. For originating calls over FGA where the off-hook supervisory signal is forwarded by the customer's equipment when the called party answers and FGC, chargeable originating access minutes are derived from recorded minutes in the following manner.

Step 1: Obtain recorded originating minutes and messages (measured as set forth in A. and C. following for FGA where the off-hook supervisory signal is forwarded by the customer's equipment when the called party answers and FGC, respectively) from the appropriate recording data.

Step 2: Obtain the total attempts by dividing the originating measured messages by the completion ratio. Completion ratios (CR) are obtained separately for the major call categories such as DDD, operator, TFC, 900 and directory assistance from a sample study which analyzes the ultimate completion status of the total attempts which receive acknowledgment from the customer. That is, Measured Messages divided by Completion Ratio equals Total Attempts.

ACCESS SERVICE TARIFF

Embarq Florida, Inc.  
By: F. B. Poag, Director

First Revised Page 119  
Cancels Original Page 119

Effective: January 1, 1997

E6. SWITCHED ACCESS SERVICE

E6.7 Rate Regulations (Cont'd)

E6.7.7 Measuring Access Minutes (Cont'd)

Step 3: Obtain the total non-conversation time additive (NCTA) by multiplying the total attempts (obtained in Step 2) by the NCTA per attempt ratio. The NCTA per attempt ratio is obtained from the sample study identified in Step 2 by measuring the non-conversation time associated with both completed and incomplete attempts. The total NCTA is the time on a completed attempt from customer acknowledgment of receipt of call to called party answer (set up and ringing) plus the time on an incomplete attempt from customer acknowledgment of call until the access tandem or end office receives a disconnect signal (ring-no answer, busy or network blockage). That is, Total Attempts times Non-Conversation Time per Attempt Ratio equals Total NCTA.

Step 4: Obtain total chargeable originating access minutes by adding the total NCTA (obtained in Step 3) to the recorded measured minute (obtained in Step 1). That is, Measured Minutes plus NCTA equals Chargeable Originating Access Minutes.

Following is an example which illustrates how the chargeable originating access minutes are derived from the measure originating minutes using this formula.

Where: Measured Minutes (M. Min.) = 7,000  
Measured Messages (M. Mes.) = 1,000  
Completion Ratio (CR) = .75  
NCTA Per Attempt = .4

1. Total Attempt - 1,000 (M. Mes)/.75 (CR) = 1,333.33

2. Total NCTA - .4 (NCTA per Attempt) x 1,333.33 = 533.33

3. Total Chargeable Originating Access Minutes = 7,000 (m. Min) + 533.33 (NCTA) = 7,533.33

Tariff Page revised 6/5/2006 to reflect company name change from Sprint to Embarq.

ACCESS SERVICE TARIFF

Embarq Florida, Inc.  
By: F. B. Poag, Director

First Revised Page 120  
Cancels Original Page 120

Effective: January 1, 1997

E6. SWITCHED ACCESS SERVICE

E6.7 Rate Regulations (Cont'd)

E6.7.7 Measuring Access Minutes (Cont'd)

When assumed minutes are used, the assumed minutes are the chargeable access minutes.

FGA access minutes or fractions thereof, the exact value of the fraction being a function of the switch technology where the measurement is made, are accumulated over the billing period for each line or hunt group, and are then rounded up to the nearest access minute for each line or hunt group. FGB, FGC and FGD access minutes or fractions thereof, exact value of the fraction being a function of the switch technology where the measurement is made, are accumulated over the billing period for each end office, and are then rounded up to the nearest access minute for each end office.

Assumed minutes are used for FGA service which originates or terminates in end offices not equipped with measurement capabilities. The assumed average intrastate access minutes for FGA is as set forth in E3.7.C. preceding.

When a FGA service arranged for two-way calling is provided where the originating and/or terminating access minutes are not recorded, the assumed average intrastate access minutes, by direction, are set forth in E3.7.C. preceding. Where one direction is measured and the other is not, the assumed minutes for the unmeasured direction are used. However, the total minutes will not exceed the actual recorded minutes or the sum of the originating and terminating assumed minutes, whichever is greater.

When a FGA service arranged for one-way (i.e., originating only or terminating only) calling is provided where the access minutes are not recorded, the assumed average intrastate access minutes of use are as set forth in E3.7.C. preceding.

Tariff Page revised 6/5/2006 to reflect company name change from Sprint to Embarq.



## ACCESS SERVICE TARIFF

Embarq Florida, Inc.  
By: F. B. Poag, Director

First Revised Page 121  
Cancels Original Page 121

Effective: January 1, 1997

### E6. SWITCHED ACCESS SERVICE

#### E6.7 Rate Regulations (Cont'd)

##### E6.7.7 Measuring Access Minutes (Cont'd)

###### A. Feature Group A Usage Measurement

For originating calls over FGA, usage measurement begins when the originating FGA entry switch receives an off-hook supervisory signal forwarded from the customer's point of termination.

The measurement of originating call usage over FGA ends when the originating FGA entry switch receives an on-hook supervisory signal from either the originating end user's end office, indicating the originating end user has disconnected, or the customer's point of termination, whichever is recognized first by the entry switch.

For terminating calls over FGA, usage measurement begins when the terminating FGA entry switch receives an off-hook supervisory signal from the terminating end user's end office, indicating the terminating end user has answered. The measurement of terminating call usage over FGA ends when the terminating FGA entry switch receives an on-hook supervisory signal from either the terminating end user's end office, indicating the terminating end user has disconnected, or the customer's point of termination, whichever is recognized first by the entry switch.

###### B. Feature Group B Usage Measurement

For originating calls over FGB, usage measurement begins when the originating FGB entry switch receives answer supervision forwarded from the customer's point of termination, indicating the customer's equipment has answered.

The measurement of originating call usage over FGB ends when the originating FGB entry switch receives disconnect supervision from either the originating end user's end office, indicating the originating end user has disconnected, or the customer's point of termination, whichever is recognized first by the entry switch.

For terminating calls over FGB, usage measurement begins when the terminating FGB entry switch receives answer supervision from the terminating end user's end office, indicating the terminating end user has answered.

Tariff Page revised 6/5/2006 to reflect company name change from Sprint to Embarq.

ACCESS SERVICE TARIFF

Embarq Florida, Inc.  
By: F. B. Poag, Director

First Revised Page 122  
Cancels Original Page 122

Effective: January 1, 1997

E6. SWITCHED ACCESS SERVICE

E6.7 Rate Regulations (Cont'd)

E6.7.7 Measuring Access Minutes (Cont'd)

B. Feature Group B Usage Measurement (Cont'd)

The measurement of terminating call usage over FGB ends when the terminating FGB entry switch receives disconnect supervision from either the terminating end user's end office, indicating the terminating end user has disconnected, or the customer's point of termination, whichever is recognized first by the entry switch.

C. Feature Group C Usage Measurement

For originating calls over FGC, usage measurement begins when the originating FGC entry switch receives answer supervision from the customer's point of termination, indicating the called party has answered.

The measurement of originating call usage over FGC ends when the originating FGC entry switch receives disconnect supervision from either the originating end user's end office, indicating the originating end user has disconnected, or the customer's point of termination, whichever is recognized first by the entry switch.

For terminating calls over FGC to services other than TFC, 900 or Directory Assistance, terminating FGC usage may not be directly measured at the terminating entry switch, but may be imputed from originating usage, excluding usage from calls to TFC, 900 or Directory Assistance Access Services. Actual measured usage will be used where available rather than an imputed value.

For terminating calls over FGC to TFC Service, usage measurement begins when the terminating FGC entry switch receives answer supervision from the terminating end user's end office, indicating the terminating TFC Service end user has answered.

The measurement of terminating call usage over FGC to TFC Service ends when the terminating FGC entry switch receives an on-hook supervisory signal from the terminating end user's end office, indicating the terminating TFC Service end user has disconnected, or from the customer's point of termination, whichever is recognized first by the entry switch.

Tariff Page revised 6/5/2006 to reflect company name change from Sprint to Embarq.

ACCESS SERVICE TARIFF

Embarq Florida, Inc.  
By: F. B. Poag, Director

First Revised Page 123  
Cancels Original Page 123

Effective: January 1, 1997

E6. SWITCHED ACCESS SERVICE

- E6.7 Rate Regulations (Cont'd)
- E6.7.7 Measuring Access Minutes (Cont'd)
- D. Feature Group D Usage Measurement

Customer traffic to end office switches will be measured (i.e., recorded or assumed) by the Company at end office switches, access tandem switches, service switching points (SSP=s) or service transfer points (STP=s). Originating and terminating calls will be measured (i.e., recorded or assumed) by the Company to determine the access minutes. Access minutes on a terminating call which utilizes multifrequency address signaling start when the called telephone exchange service location answers and end when the end office switches, access tandem switches, service switching points (SSP=s) or service transfer points (STP=s) receives a disconnect signal. Access minutes on an originating call which utilizes multi-frequency address signaling start when the customer's premises acknowledges the call and end when the access tandem switch or end office switch receives a disconnect signal.

For originating calls over FGD with SS7 Signaling, usage measurement begins with the transmission of the initial address message. The measurement of originating FGD call usage ends when the entry switch receives or sends a release message, whichever occurs first. For terminating calls over FGD with SS7 Signaling, usage measurement begins when the terminating recording switch receives answer supervision from the terminating end user. The Company's switch receives answer supervision and sends the indication to the customer in the form of an answer message. The measurement of terminating FGD call usage ends when the entry switch receives or sends a release message, whichever occurs first.

Tariff Page revised 6/5/2006 to reflect company name change from Sprint to Embarq.

ACCESS SERVICE TARIFF

Embarq Florida, Inc.  
By: F. B. Poag, Director

First Revised Page 124  
Cancels Original Page 124

Effective: January 1, 1997

E6. SWITCHED ACCESS SERVICE

E6.7 Rate Regulations (Cont'd)

E6.7.8 Network Blocking for Feature Group D

The customer will be notified by the Company to increase its capacity (quantities of trunks) when excessive trunk group blocking occurs on groups carrying Feature Group D traffic and the measured minutes of use for that hour exceeds that purchased. Excessive trunk group blocking occurs when the blocking thresholds as stated below are exceeded.

If the order for sufficient additional capacity to handle a customer's traffic has not been received by the Company within 15 days of the notification, the Company will bill the customer, at the rate set forth in E6.8.2.C following, for each overflow in excess of the chargeable threshold.

CHARGEABLE THRESHOLDS

For Trunk Groups As Specified in E6.5.7.A.5.a

Trunk Group Size	Allowable Overflows Per Trunk Per Month
1-2	18
3-4	19
5-6	13
7-40	10
41-139	9
140-500	8
501 or greater	7

For Trunk Groups As Specified in E6.5.7.A.5.b

Trunk Group Size	Allowable Overflows Per Trunk Per Month
1-4	10
5-6	8
7-125	6
126 or greater	5

Tariff Page revised 6/5/2006 to reflect company name change from Sprint to Embarq.

ACCESS SERVICE TARIFF

Embarq Florida, Inc. d/b/a CenturyLink  
By: Gary L. Kepley, Director

Third Revised Page 125 (T)  
Cancels Second Revised Page 125 (T)

Effective: January 15, 2017

E6. SWITCHED ACCESS SERVICE

E6.7 Rate Regulations (Cont'd)

E6.7.9 Application of Rates for Feature Group A Extension Service

Feature Group A Switched Access Service is available with extensions, i.e., additional terminations of the service at different building(s) in the same or a different LATA. Feature Group A extensions within the LATA are provided and charged for under the Company's **Local Terms of Service**. Feature Group A extensions in different LATAs are provided and charged for as Special Access Service. The rate elements which apply are: Special Transport (from the extension bridging point to the customer serving wire center), Access Connections and one half of the appropriate network interface combination. All appropriate monthly rates and nonrecurring charges set forth in E7. following will apply. (T)

E6.7.10 Message Unit Credit

Calls from end users to the seven digit local telephone numbers associated with Feature Group A Switched Access Service are subject to Company **Local Terms of Service** charges (including message unit and toll charges as applicable), as well as any other applicable charges for access service. The monthly bills rendered to customers for their Feature Group A Switched Access service will include a credit to reflect any message unit charges collected from end users under the Company's **Local Terms of Service**. No Message Unit Credit is given on the access minutes that have been prorated as set forth in E6.7.1 preceding. (T)

E6.7.11 Local Information Delivery Services

Calls over Switched Access in the terminating direction to certain community information services will be rated under the applicable rates for Switched Access Service as set forth in E6.8 following. In addition, the charges per call if specified under the Company's **Local Terms of Service** are also applicable. (T)

ACCESS SERVICE TARIFF

Embarq Florida, Inc.  
By: F. B. Poag, Director

First Revised Page 126  
Cancels Original Page 126

Effective: January 1, 1997

E6. SWITCHED ACCESS SERVICE

E6.7 Rate Regulations (Cont'd)

E6.7.12 Mileage Measurement

The mileage to be used to determine the rate for Direct-Trunked Transport and Tandem-Switched Transport is calculated based on the airline distance between the end office switch where the call carried by Switched Transport service originates or terminates and the customer's serving wire center, except as set forth in (A) through (M) following. The V&H coordinates method is used to determine mileage. This method is set forth in the Exchange Carrier Association Tariff F.C.C. No. 4 for Wire Center Information (V&H coordinates). If the mileage calculation results in a fraction of a mile, always round up to the next whole mile before determining the mileage band and applying the rates.

Exceptions to the mileage measurement rules are as follows:

- A. When Switched Transport facilities of different capacities or bandwidths are interconnected by a multiplexer at a location other than the serving wire center, mileage is determined using the V&H coordinates method as set forth following:
1. When only one multiplexer is involved, mileage for Direct-Trunked Transport and Tandem-Switched Transport is measured separately from the serving wire center to the hub where multiplexing (i.e., facilities interconnection) occurs and then measured from the hub to the end office where the call is switched to originate or terminate.
  2. When more than one multiplexer is involved, mileage for Direct Trunked Transport and Tandem Switched Transport is measured successively from the serving wire center to the first hub, from the first hub to the second hub, and then from the second hub to the end office where the call is switched to originate or terminate.

If more than two hubs are involved, mileage is measured successively between each intervening hub, with the final measurement being from the last hub to the end office where the call is switched to originate or terminate.

Tariff Page revised 6/5/2006 to reflect company name change from Sprint to Embarq.

ACCESS SERVICE TARIFF

Embarq Florida, Inc.  
By: F. B. Poag, Director

First Revised Page 127  
Cancels Original Page 127

Effective: January 1, 1997

E6. SWITCHED ACCESS SERVICE

E6.7 Rate Regulations (Cont'd)

E6.7.12 Mileage Measurement (Cont'd)

- B. When transport is provided to a host/remote arrangement, Tandem-Switched Transmission rates apply from the Host office to the associated RSMs/RSSs. Mileage for Tandem-Switched Transmission is calculated from the V&H coordinates of the Host office and the RSS/RSM where the call originates or terminates. Additional Tandem-Switched Transport or Direct-Trunked Transport rates apply depending on the transport service provided from the host remote arrangement.
- C. When Switched Transport is provided to a Class 4/5 switch (i.e., a switch that functions as both an access tandem and end office) for both access tandem routing and end office routing, mileage is calculated using the V&H coordinates method. As set forth in E6.1.3, Switched Transport from the serving wire center to the hub that interconnects the Direct-Trunked Transport and the Tandem-Switched Transport facilities is considered to be Direct-Trunked Transport.

Direct-Trunked Transport is measured from the serving wire center to the hub interconnecting the Tandem-Switched Transport and the Direct-Trunked Transport facilities and then measured from the hub to the end office.

Tandem-Switched Transmission is measured from the hub interconnecting the Tandem-Switched Transport and the Direct-Trunked Transport facilities to the end office where the call is switched to originate or terminate.

- D. When Direct-Trunked Transport is provided for line side Switched Access services (i.e., FGA), both Direct-Trunked Transport and Tandem-Switched Transmission rates apply.

Direct-Trunked Transport applies to both originating and terminating usage, and mileage is calculated using the V&H coordinates of the customer's serving wire center and the end office switch where the dial tone for the line side Switched Access service is provided.

Tariff Page revised 6/5/2006 to reflect company name change from Sprint to Embarq.

## ACCESS SERVICE TARIFF

Embarq Florida, Inc.  
By: F. B. Poag, Director

Second Revised Page 128  
Cancels First Revised Page 128

Effective: January 2, 2002

### E6. SWITCHED ACCESS SERVICE

#### E6.7 Rate Regulations (Cont'd)

##### E6.7.12 Mileage Measurement (Cont'd)

###### D. (Cont'd)

Tandem-Switched Transmission applies only to terminating usage, and mileage is calculated using the V&H coordinates of the dial tone office and the end office where the call is switched to terminate.

###### E. Reserved for Future Use

F. When trunks are rerouted from an end office to an access tandem as set forth in E6.7.1.A.3.c. preceding, the Switched Transport mileage will be calculated on the airline distance between the end office and the serving wire center of the customer's POP associated with that access tandem.

G. When the Alternate Traffic Routing optional feature is provided with Feature Groups B, C and D to provide service from an end office to different customer premises locations, Switched Transport access minutes will be apportioned between the two transmission routes used to provide this feature. For Feature Groups B and C, such apportionment will be made using standard Company traffic engineering methodology and will be based on the last trunk CCS desired for the high usage group, as described in E6.3.1.N. preceding, and the relative capacity ordered to the end office, when the feature is provided at an end office switch, or to the subtending end offices when the feature is provided at an access tandem switch. For Feature Group D, the apportionment



ACCESS SERVICE TARIFF

Embarq Florida, Inc.  
By: F. B. Poag, Director

First Revised Page 129  
Cancels Original Page 129

Effective: January 1, 1997

E6. SWITCHED ACCESS SERVICE

E6.7 Rate Regulations (Cont'd)

E6.7.12 Mileage Measurement (Cont'd)

G. (Cont'd)

will be based on the actual measured data which is recorded against the specific trunk group that carried a particular call. This apportionment will serve as the basis for the Switched Transport mileage calculation. The customer will be billed accordingly.

H. Switched Transport mileage for access minutes originating from or terminating at a remote switching system (RRS) or remote switching module (RSM) that shares an NXX with its host office will be based on the airline miles between the customer's serving wire center and the host office. Switched Transport mileage for access minutes originating from or terminating at an RSS or RSM that has its own NXX (i.e., different from the host's NXX) will be based on the airline miles between the customer's serving wire center and the RSS or RSM.

I. When terminating Feature Group C Switched Access Service is provided from multiple customer premises to an end office not equipped with measurement capabilities, the total Switched Transport access minutes for that end office will be apportioned among the trunk groups accessing the end office on the basis of the capacity ordered for each FGC trunk group. This apportionment will serve as the basis for Switched Transport mileage calculation and the customer will be billed accordingly.

J. When FGA calls terminate within the local calling area of the dial tone office, the Switched Transport mileage will be calculated on an airline basis between the customer's serving wire center and the dial tone office.

Tariff Page revised 6/5/2006 to reflect company name change from Sprint to Embarq.

ACCESS SERVICE TARIFF

Embarq Florida, Inc.  
By: F. B. Poag, Director

Third Revised Page 130  
Cancels Second Revised Page 130

Effective: January 2, 2002

E6. SWITCHED ACCESS SERVICE

E6.7 Rate Regulations (Cont'd)

E6.7.12 Mileage Measurement (Cont'd)

- K. Switched transport mileage for TFC, Interim 500, and 900 Access Service is based on the airline distance between the end office switch where the TFC, 500, or 900 Access Service traffic originates and the customer's serving wire center.
- L. Reserved for Future Use

Tariff Page revised 6/5/2006 to reflect company name change from Sprint to Embarq.

ACCESS SERVICE TARIFF

Embarq Florida, Inc.  
By: F. B. Poag, Director

Third Revised Page 131  
Cancels Second Revised Page 131

Effective: March 19, 1997

E6. SWITCHED ACCESS SERVICE

E6.7 Rate Regulations (Cont'd)

E6.7.12 Mileage Measurement (Cont'd)

- M. Where Feature Groups A, B, C, and D Switched Access Services are connected with Special Access Service at a WATS Serving Office, the Company will measure mileage on an airline mileage basis between:
1. The WATS Serving Office and the Serving Wire Center for the customer designated premises, or
  2. The Feature Group A or B entry switch and the Serving Wire Center or the customer designated premises.

E6.7.13 Application of Rates

- A. Rates are applied as premium, non-premium or transitional. The transitional rates are determined by developing a weighted composite of the premium and non-premium rates based on the level of equal access deployment in the EAEA. The specific application of these rates for a specific customer is dependent upon the Switched Access Service and the availability of equal access capabilities.
- B. Premium rates apply to FGD access minutes except as set forth in C. following.
- C. When FGA, FGB, TFC Service, Interim 500 Access Service, or 900 Service Switched Access Service is provided to an entry switch (i.e., the dial tone office for FGA and the access tandem for FGB), the premium, non-premium, and transitional rates will be determined and applied separately for each EAEA, except for AT&T whose FGB Terminating Service, TFC Access Service, Interim 500 Access Service, or 900 Access Service will be billed at the same rate as set forth for FGC and FGD, in the following manner:
1. All access minutes that originate or terminate in an EAEA where all end offices are equipped for equal access will be billed at premium rates. (Access Minutes x Premium Rate) Premium rates apply to all FGC access minutes as well as TFC, 500, or 900 access minutes via FGC in non-equal access end offices.

Tariff Page revised 6/5/2006 to reflect company name change from Sprint to Embarq.

ACCESS SERVICE TARIFF

Embarq Florida, Inc.  
By: F. B. Poag, Director

Second Revised Page 132  
Cancels First Revised Page 132

Effective: February 18, 1997

E6. SWITCHED ACCESS SERVICE

E6.7 Rate Regulations (Cont'd)

E6.7.13 Application of Rates (Cont'd)

C. (Cont'd)

2. Access minutes that originate or terminate in an EAEA where no end offices are equal access capable will be billed at non-premium rates. (Access Minutes x Premium Rate) Non-premium rates apply to all non-AT&T FGA and FGB access minutes that originate from or terminate to end offices in EAEAs which have not experienced any degree of equal access conversion. The non-premium rates are determined by discounting the premium rates by 35 percent.

D. Transitional rates apply to all non-AT&T FGA, FGB and FGD access minutes, TFC, 500 and 900 access minutes via FGB, TFC, 500 and 900 access minutes via FGD, and non-AT&T TFC, 500 and 900 access minutes in non-equal access end offices that originate from or terminate to end offices in EAEAs which have experienced some level of equal access deployment but have not been totally converted to equal access. The transitional rates are determined by developing a weighted composite of the premium and non-premium rates based on the level of equal access deployment in the EAEA as set forth in E. following.

E. Transitional rates will be determined and applied separately for each EAEA in the following manner:

Access minutes that originate or terminate in an EAEA where a portion of the end offices have been equipped for equal access will be billed at transitional rates as set forth following:

1. The number of subscriber lines (i.e., exchange service lines, Centrex lines, and Centrex-type lines) served by end offices equipped for equal access within an EAEA expressed as a percent of the total subscriber lines in an EAEA will be determined each month. This percentage (Factor 1) represents the percent of subscriber lines service by end offices equipped with equal access. The complement of this percentage (Factor 2) represents the percent of subscriber lines served from end offices not equal access capable.

Tariff Page revised 6/5/2006 to reflect company name change from Sprint to Embarq.

ACCESS SERVICE TARIFF

Embarq Florida, Inc.  
**d/b/a CenturyLink**  
By: Gary L. Kepley, Director

Fourth Revised Page 133  
Cancels Third Revised Page 133

(T)

Effective: July 2, 2013

E6. SWITCHED ACCESS SERVICE

E6.7 Rate Regulations (Cont'd)

E6.7.13 Application of Rates (Cont'd)

E. (Cont'd)

2. Factor 1 is multiplied by 100% to calculate the weighted premium rate percentage.
3. Factor 2 is multiplied by 65% (100%-35%) to calculate the weighted transitional rate percentage.
4. The two resulting weighted percentages are then added together and multiplied by the premium rate to determine the effective rate level to be applied to all access minutes that originate or terminate in an EAEA.
5. The number of subscriber lines as required in 3.a preceding will be provided to the billing entity, to be received no later than 15 days after the first of each month. The billing entity will assume the number of lines to be unchanged if no report is received by the 15th of each month. The billing entity will use the most recent calendar month data available when making the calculations set forth in 3.a preceding.

E6.7.14 Shared Use

Shared Use occurs when Switched Access Service and WATSAccess Service are provided over the same analog or digital high capacity service through a common interface. The regulations governing the provision of Shared Use Facilities are set forth in E7. following.

E6.7.15 Zone Density Plan

The Zone Density Plan is applicable only to DS1, DS3, STS1, OC3, OC12 and OC48 Entrance Facilities, Direct-Trunked Transport, Tandem Switched Transmission, Tandem Switching, DS1 to Voice Multiplexing, DS3 to DS1 Multiplexing, STS1/DS1 Multiplexing and OptiPoint configuration node and configuration card services as set forth in E6.1.3 *H* preceding.

(Z)

ACCESS SERVICE TARIFF

Embarq Florida, Inc. *d/b/a CenturyLink*  
 By: **Christy V. Londerholm**, Director

Fourth Revised Page 134 (T)  
 Cancels Third Revised Page 134 (T)  
 Effective: August 20, 2017

E6. SWITCHED ACCESS SERVICE

E6.7 Rate Regulations (Cont'd)

E6.7.15 Zone Density Plan (**Cont'd**) (T)

The rates applicable for high capacity services subject to the Zone Density Plan are dependent upon the zone in which the Company serving wire center area is located. Direct-Trunked Transport and Tandem Switched Transmission provided between wire centers in different zones will be assessed the rate for the higher zone. Specific Zone Density Charges are set forth in **E.6.8.2** following. The zones and associated Common Language Location Identifier (CLLI) code for each Company service area are identified following: (T)

<u>Zone 1</u>	<u>CLLI</u>	(C)
Altamonte Springs – <b>Winter Park</b>	ALSPFLXADS0	
Avon Park	AVPKFLXADS0	
Kissimmee	KSSMFLXADS0	
Maitland – <b>Winter Park</b>	MTLDFLXADS1	
South Fort Myers – <b>Fort Myers</b>	FTMYFLXCDS2	
Winter Park	WNPKFLXADS1	
<u>Zone 2</u>	<u>CLLI</u>	
Apopka	APPKFLXADS1	
Cape Coral	CPCRFLXADS0	
Cypress Lake	CYLKFLXADS0	
Destin	DESTFLXADS0	
Fort Myers	FTMYFLXADS0	
Fort Walton Beach	FTWBFLXADS0	
Goldenrod – <b>Winter Park</b>	GLRDFLXADS0	
Lake Brantley – <b>Winter Park</b>	LKBRFLXADS1	
Leesburg	LSBGFLXADS1	
Naples Moorings	NPLSFLXDDS0	
North Naples	NNPLFLXADS1	
Ocala	OCALFLXADS0	
Port Charlotte	PTCTFLXADS0	
Shady Road	OCALFLXBDS0	
Tallahassee	TLHSFLXADS0	
Tallahassee	TLHSFLXADS1	
Tallahassee	TLHSFLXBDS0	
Tallahassee	TLHSFLXCDS0	
Tallahassee	TLHSFLXDDS0	
Tallahassee	TLHSFLXFDS0	
West Kissimmee	KSSMFLXBDS1	
Winter Garden	WNGRFLXADS0	
<u>Zone 3</u>	<u>CLLI</u>	
All Others	All Others	(C)

ACCESS SERVICE TARIFF

Embarq Florida, Inc.  
**d/b/a CenturyLink**  
 By: Gary L. Kepley, Director

Eighth Revised Page 135  
 Cancels Seventh Revised Page 135

(T)

Effective: July 2, 2013

E6. SWITCHED ACCESS SERVICE

E6.8 Rates and Charges

**NOTE: See Sections 19 for Orlando and Tallahassee MSA's under Price Flexibility.**

E6.8.1 Reserved for Future Use

E6.8.2 Switched Transport

A. Entrance Facility

	<u>Monthly Rates</u>	<u>Nonrecurring Charge</u>	
1. Voice Grade			
- Two Wire*	<b>\$75.00 (N)</b>	<b>\$150.00 (N)</b>	(N)
- Four Wire*	<b>\$97.25 (I)</b>	<b>\$150.00 (I)</b>	(C)

2. DS1 – Per DS1

	<u>Monthly Rates</u>			<u>Nonrecurring Installation Charge</u>	
	<u>Within CO</u>	<u>0 – 3 Miles</u>	<u>Over 3 Miles</u>		
Zone 1*	<b>\$99.00 (R)</b>	<b>\$99.00 (R)</b>	<b>\$99.00 (R)</b>	\$360.00	(T)
Zone 2*	<b>\$115.00 (R)</b>	<b>\$115.00 (R)</b>	<b>\$115.00 (R)</b>	\$360.00	(C)
Zone 3*	<b>\$130.00 (R)</b>	<b>\$130.00 (R)</b>	<b>\$130.00 (R)</b>	\$360.00	(C)

3. DS3 – Per Point of Termination

	<u>Monthly Rates</u>			<u>Nonrecurring</u>		
	<u>Within CO</u>	<u>0 – 3 Miles</u>	<u>Over 3 Miles</u>	<u>Installation Charge</u>	<u>Rearrangement Charge</u>	
Zone 1*	<b>\$480.00 (R)</b>	<b>\$800.00 (R)</b>	<b>\$1,250.00 (R)</b>	<b>\$400.00 (I)</b>	<b>\$200.00 (N)</b>	(C)
Zone 2*	<b>\$500.00 (R)</b>	<b>\$820.00 (R)</b>	<b>\$1,275.00 (R)</b>	<b>\$400.00 (I)</b>	<b>\$200.00 (N)</b>	(C)
Zone 3*	<b>\$520.00 (R)</b>	<b>\$840.30 (R)</b>	<b>\$1,330.00 (R)</b>	<b>\$400.00 (I)</b>	<b>\$200.00 (N)</b>	(C)

4. OptiPoint-3 with Telephone Company Provided Terminal Equipment

a. 1 Year Commitment Rates  
 - Per Point of Termination

	<u>Monthly Rates</u>			<u>Nonrecurring Charge</u>
	<u>Within CO</u>	<u>0-3 Miles</u>	<u>Over 3 Miles</u>	
Zone 1*	\$1,500.00	\$2,268.00	\$3,666.00	\$4,280.00
Zone 2*	1,560.00	2,334.00	3,870.00	4,280.00
Zone 3	1,866.00	2,400.00	3,930.00	4,280.00

b. 3 Year Commitment Rates  
 - Per Point of Termination

Zone 1*	\$1,250.00	\$1,890.00	\$3,055.00
Zone 2*	1,350.00	1,945.00	3,225.00
Zone 3*	1,555.00	2,000.00	3,275.00

c. 5 Year Commitment Rates  
 - Per Point of Termination

Zone 1*	\$1,150.00	\$1,700.00	\$2,750.00
Zone 2*	1,250.00	1,750.00	2,900.00
Zone 3*	1,400.00	1,800.00	2,950.00

\* See Section E19 for Orlando and Tallahassee MSA Price Flexibility rates.

(N)

ACCESS SERVICE TARIFF

Embarq Florida, Inc.  
By: F. B. Poag, Director

Second Revised Page 135.1  
Cancels First Revised Page 135.1

E6. SWITCHED ACCESS SERVICE

E6.8 Rates and Charges

E6.8.2 Switched Transport (Cont'd)

A. Entrance Facility (Cont'd)

		<u>Monthly Rates</u>			
		<u>Within</u>	<u>0-3</u>	<u>Over 3</u>	<u>Nonrecurring</u>
		<u>CO</u>	<u>Miles</u>	<u>Miles</u>	<u>Charge</u>
5.	OptiPoint – 3 without Telephone Company Provided Terminal Equipment				
a.	1 Year Commitment Rates - Per point of Termination				
	Zone 1	\$ 864.00	\$1,626.00	\$2,958.00	\$3,140.00
	Zone 2	888.00	1,674.00	3,120.00	3,140.00
	Zone 3	1,110.00	1,722.00	3,180.00	3,140.00
b.	3 Year Commitment Rates - Per point of Termination				
	Zone 1	\$625.00	\$1,355.00	\$2,465.00	
	Zone 2	660.00	1,395.00	2,600.00	
	Zone 3	925.00	1,435.00	2,650.00	
c.	5 Year Commitment Rates - Per point of termination				
	Zone 1	\$575.00	\$1,220.00	\$2,220.00	
	Zone 2	595.00	1,255.00	2,340.00	
	Zone 3	830.00	1,295.00	2,380.00	

Tariff Page revised 6/5/2006 to reflect company name change from Sprint to Embarq.



ACCESS SERVICE TARIFF

Embarq Florida, Inc.  
By: F. B. Poag, Director

First Revised Page 135.1.1  
Cancels Original Page 135.1.1

E6. SWITCHED ACCESS SERVICE

E6.8 Rates and Charges

E6.8.2 Switched Transport (Cont'd)

A. Entrance Facility (Cont'd)

		<u>Monthly Rates</u>			
		<u>Within</u>	<u>0-3</u>	<u>Over 3</u>	<u>Nonrecurring</u>
		<u>CO</u>	<u>Miles</u>	<u>Miles</u>	<u>Charge</u>
6.	OptiPoint – 12 with Telephone Company Provided Terminal Equipment				
a.	1 Year Commitment Rates - Per point of Termination				
	Zone 1	\$1968.00	\$2,670.00	\$4,668.00	\$11,290.00
	Zone 2	1,998.00	2,802.00	5,334.00	11,290.00
	Zone 3	2,094.00	2,934.00	5,670.00	11,290.00
b.	3 Year Commitment Rates - Per point of Termination				
	Zone 1	\$1,640.00	\$2,225.00	\$3,890.00	
	Zone 2	1,665.00	2,335.00	4,445.00	
	Zone 3	1,745.00	2,445.00	4,725.00	
c.	5 Year Commitment Rates - Per point of termination				
	Zone 1	\$1,475.00	\$2,000.00	\$3,500.00	
	Zone 2	1,500.00	2,100.00	4,000.00	
	Zone 3	1,570.00	2,200.00	4,250.00	

Tariff Page revised 6/5/2006 to reflect company name change from Sprint to Embarq.

ACCESS SERVICE TARIFF

Embarq Florida, Inc.  
By: F. B. Poag, Director

Second Revised Page 135.2  
Cancels First Revised Page 135.2

Effective: October 28, 2003

E6. SWITCHED ACCESS SERVICE

E6.8 Rates and Charges

E6.8.2 Switched Transport (Cont'd)

A. Entrance Facility (Cont'd)

		<u>Monthly Rates</u>			
		<u>Within</u>	<u>0-3</u>	<u>Over 3</u>	<u>Nonrecurring</u>
		<u>CO</u>	<u>Miles</u>	<u>Miles</u>	<u>Charge</u>
7.	OptiPoint – 12 without Telephone Company Provided Terminal Equipment				
a.	1 Year Commitment Rates - Per point of Termination				
	Zone 1	\$1,134.00	\$1,848.00	\$3,648.00	\$10,570.00
	Zone 2	1,152.00	1,938.00	4,170.00	10,570.00
	Zone 3	1,206.00	2,028.00	4,434.00	10,570.00
b.	3 Year Commitment Rates - Per point of Termination				
	Zone 1	\$ 945.00	\$1,540.00	\$3,040.00	
	Zone 2	960.00	1,615.00	3,475.00	
	Zone 3	1,005.00	1,690.00	3,695.00	
c.	5 Year Commitment Rates - Per point of termination				
	Zone 1	\$850.00	\$1,385.00	\$2,735.00	
	Zone 2	865.00	1,450.00	3,125.00	
	Zone 3	905.00	1,525.00	3,325.00	
8.	OptiPoint – 48 with Telephone Company Provided Terminal Equipment				
a.	3 Year commitment Rates - Per point of Termination				
	Zone 1	\$5,300.00	\$7,200.00	\$11,600.00	
	Zone 2	5,400.00	7,600.00	13,300.00	
	Zone 3	5,700.00	7,900.00	13,700.00	
b.	5 Year Commitment Rates - Per point of termination				
	Zone 1	\$4,800.00	\$6,500.00	\$10,500.00	
	Zone 2	4,900.00	6,800.00	12,000.00	
	Zone 3	5,100.00	7,100.00	12,800.00	

Tariff Page revised 6/5/2006 to reflect company name change from Sprint to Embarq.

ACCESS SERVICE TARIFF

Embarq Florida, Inc.  
By: F. B. Poag, Director

Fourth Revised Page 135.3  
Cancels Third Revised Page 135.3

Effective: July 2, 2013

E6. SWITCHED ACCESS SERVICE

E6.8 Rates and Charges (Cont'd)

E6.8.2 Switched Transport (Cont'd)

A. Entrance Facility (Cont'd)

		<u>Monthly Rates</u>			
		<u>Within</u>	<u>0-3</u>	<u>Over 3</u>	
		<u>CO</u>	<u>Miles</u>	<u>Miles</u>	
9.	OptiPoint-48 without Telephone Company Provided Terminal Equipment				
a.	3 Year Commitment Rates - Per Point of Termination				
	<b>Zone 1</b>	<b>\$3,100.00 (R)</b>	\$4,600.00	\$8,900.00	(C)
	Zone 2	3,150.00	4,800.00	9,200.00	
	Zone 3	3,300.00	5,000.00	9,600.00	
b.	5 Year Commitment Rates - Per Point of Termination				
	Zone 1	\$2,800.00	\$4,200.00	\$8,500.00	
	Zone 2	2,850.00	4,400.00	8,900.00	
	Zone 3	3,000.00	4,600.00	9,300.00	
10.	OptiPoint-192 with Telephone Company Provided Terminal Equipment				
a.	3 Year Commitment Rates - Per Point of Termination				
	Zone 1	\$13,008.00	\$17,620.00	\$27,040.00	
	Zone 2	14,050.00	19,030.00	29,205.00	
	Zone 3	15,175.00	20,550.00	31,535.00	
b.	5 Year Commitment Rates - Per Point of Termination				
	Zone 1	\$11,825.00	\$16,020.00	\$24,580.00	
	Zone 2	12,770.00	17,300.00	26,550.00	
	<b>Zone 3</b>	<b>13,790.00 (R)</b>	18,685.00	28,675.00	(C)

(D)

ACCESS SERVICE TARIFF

Embarq Florida, Inc.  
By: F. B. Poag, Director

First Revised Page 135.4  
Cancels Original Page 135.4

Effective: June 7, 2003

E6. SWITCHED ACCESS SERVICE

E6.8 Switched Access Service (Cont'd)

E6.8.2 Switched Transport (Cont'd)

A. Entrance Facility (Cont'd)

		<u>Monthly Rates</u>		
		<u>Within</u>	<u>0-3</u>	<u>Over 3</u>
		<u>CO</u>	<u>Miles</u>	<u>Miles</u>
11.	OptiPoint - 192 without Telephone Company Provided Terminal Equipment			
a.	3 Year Commitment Rates - Per point of Termination			
	Zone 1	\$7,590.00	\$11,385.00	\$23,040.00
	Zone 2	8,200.00	12,300.00	24,885.00
	Zone 3	8,850.00	13,283.00	26,875.00
b.	5 Year Commitment Rates - Per point of termination			
	Zone 1	\$6,900.00	\$10,350.00	\$20,945.00
	Zone 2	7,450.00	11,180.00	22,620.00
	Zone 3	8,045.00	12,075.00	24,430.00
12.	STS1 (51.84 Mbps)			
	- Per Point of Termination			
		<u>Monthly Rates</u>		
		<u>Within</u>	<u>0-3</u>	<u>Over 3</u>
		<u>CO</u>	<u>Miles</u>	<u>Miles</u>
	Zone 1	\$ 825.00	\$1,275.00	\$2,200.00
	Zone 2	1,000.00	1,650.00	2,700.00
	Zone 3	1,350.00	2,000.00	3,200.00
		<u>Nonrecurring</u>	<u>Nonrecurring</u>	
		<u>Installation</u>	<u>Rearrangement</u>	
		<u>Charge</u>	<u>Charge</u>	
	Zone 1	\$325.00	\$162.50	
	Zone 2	325.00	162.50	
	Zone 3	325.00	162.50	

Tariff Page revised 6/5/2006 to reflect company name change from Sprint to Embarq.

ACCESS SERVICE TARIFF

Embargo Florida, Inc.  
**d/b/a CenturyLink**  
 By: Gary L. Kepley, Director

Fifth Revised Page 136  
 Cancels Fourth Revised Page 136

(T)

Effective: July 2, 2013

E6. SWITCHED ACCESS SERVICE

E6.8 Rates and Charges (Cont'd)

E6.8.2 Switched Transport (Cont'd)

B. Direct-Trunked Transport

	Monthly Rates		Nonrecurring Charge
	Termination (Fixed)	Facility (Per Mile)	
1. Voice Grade - Per Channel*	<b>\$45.00</b> (I)	<b>\$2.23</b> (I)	<b>None</b> (R)
2. DS1 - Zone 1*	<b>\$48.00</b> (R)	<b>\$4.00</b> (R)	<b>None</b> (R)
- Zone 2*	<b>50.00</b> (R)	<b>4.35</b> (R)	<b>None</b> (R)
- Zone 3*	<b>54.00</b> (R)	<b>4.75</b> (R)	<b>None</b> (R)
3. DS3 - Zone 1*	\$460.00	<b>\$60.00</b> (R)	<b>None</b> (R)
- Zone 2*	<b>480.00</b> (I)	<b>80.00</b> (R)	<b>None</b> (R)
- Zone 3*	<b>500.00</b> (I)	<b>90.00</b> (R)	<b>None</b> (R)
4. OptiPoint-3			
a. 1 Year Commitment Rates			
Zone 1*	\$2,056.00	\$144.00	
Zone 2*	2,136.00	150.00	
Zone 3*	2,233.00	156.00	
b. 3 Year Commitment Rates			
Zone 1*	\$1,713.00	\$110.00	
Zone 2*	1,780.00	120.00	
Zone 3*	1,861.00	130.00	
c. 5 Year Commitment Rates			
Zone 1*	\$1,539.00	\$100.00	
Zone 2*	1,606.00	110.00	
Zone 3*	1,673.00	120.00	

(C)

(C)

\* See Section E19 for Orlando and Tallahassee MSA Price Flexibility rates.

(N)

ACCESS SERVICE TARIFF

Embarq Florida, Inc.  
By: F. B. Poag, Director

Fifth Revised Page 136.1  
Cancels Fourth Revised Page 136.1

Effective: October 28, 2003

E6. SWITCHED ACCESS SERVICE

E6.8 Rates and Charges

E6.8.2 Switched Transport (Cont'd)

B. Direct-Trunked Transport (Cont'd)

		<u>Monthly Rates</u>	
		<u>Termination (Fixed)</u>	<u>Facility (Per Mile)</u>
5.	OptiPoint - 12		
a.	1 Year Commitment Rates		
	Zone 1	\$6,072.00	\$336.00
	Zone 2	6,248.00	348.00
	Zone 3	6,425.00	360.00
b.	3 Year Commitment Rates		
	Zone 1	\$5,060.00	\$240.00
	Zone 2	5,207.00	265.00
	Zone 3	5,354.00	290.00
c.	5 Year Commitment Rates		
	Zone 1	\$4,610.00	\$220.00
	Zone 2	4,700.00	245.00
	Zone 3	4,819.00	270.00
6.	OptiPoint - 48		
a.	3 Year Commitment Rates		
	Zone 1	\$12,200.00	\$550.00
	Zone 2	12,600.00	600.00
	Zone 3	13,000.00	650.00
b.	5 Year Commitment Rates		
	Zone 1	\$11,000.00	\$525.00
	Zone 2	11,400.00	550.00
	Zone 3	11,800.00	575.00

Tariff Page revised 6/5/2006 to reflect company name change from Sprint to Embarq.

ACCESS SERVICE TARIFF

Embarq Florida, Inc.  
By: F. B. Poag, Director

First Revised Page 136.1.1  
Cancels Original Page 136.1.1

Effective: October 28, 2003

E6. SWITCHED ACCESS SERVICE

E6.8 Rates and Charges

E6.8.2 Switched Transport (Cont'd)

B. Direct-Trunked Transport (Cont'd)

	Monthly Termination <u>(Fixed)</u>	Rate Facility <u>(Per Mile)</u>
7. OptiPoint - 192		
a. 3 Year Commitment Rates		
Zone 1	\$22,265.00	\$1,155.00
Zone 2	24,050.00	1,250.00
Zone 3	25,971.00	1,350.00
b. 5 Year Commitment Rates		
Zone 1	\$20,240.00	\$1,050.00
Zone 2	21,860.00	1,135.00
Zone 3	23,610.00	1,225.00
8. STS1 (51.84 Mbps)		
- Per STS1		
Zone 1	\$759.00	\$170.00
Zone 2	790.00	180.00
Zone 3	1,000.00	192.00

Tariff Page revised 6/5/2006 to reflect company name change from Sprint to Embarq.

ACCESS SERVICE TARIFF

Embarq Florida, Inc. d/b/a CenturyLink  
 BY: Chantel Bosworth, Director

5th Revised Page 136.2  
 Cancels 4th Revised Page 136.2

Effective: July 1, 2021

E6. SWITCHED ACCESS SERVICE

E6.8 Rates and Charges (Cont'd)

E6.8.2 Switched Transport (Cont'd)

C. Tandem-Switched Transport

1. Tandem-Switched Transmission

Termination

	<u>Rate Per Access Minute</u>			
	<u>Originating</u> <b><u>Non-Toll Free*</u></b>	<u>Terminating</u> <u>3rd Party</u>	<u>Terminating</u> <u>End Office</u>	
Zone 1	\$0.000180	\$0.000365	\$0.000000	(T)
Zone 2	\$0.000200	\$0.000438	\$0.000000	
Zone 3	\$0.000210	\$0.000598	\$0.000000	

Facility, per Access Minute per mile

	<u>Rate Per Access Minute</u>			
	<u>Originating</u> <b><u>Non-Toll Free*</u></b>	<u>Terminating</u> <u>3rd Party</u>	<u>Terminating</u> <u>End Office</u>	
Zone 1	\$0.000036	\$0.000035	\$0.000000	(T)
Zone 2	\$0.000040	\$0.000055	\$0.000000	
Zone 3	\$0.000042	\$0.000080	\$0.000000	

2. Tandem Switching

	<u>Rate Per Access Minute</u>			
	<u>Originating</u> <b><u>Non-Toll Free*</u></b>	<u>Terminating</u> <u>3rd Party</u>	<u>Terminating</u> <u>End Office</u>	
Zone 1	\$0.000792	\$0.001197	\$0.000000	(T)
Zone 2	\$0.000880	\$0.001338	\$0.000000	
Zone 3	\$0.000924	\$0.001693	\$0.000000	

3. Common Transport Multiplexing

	<u>Rate Per Access Minute</u>			
	<u>Originating</u> <b><u>Non-Toll Free*</u></b>	<u>Terminating</u> <u>3rd Party</u>	<u>Terminating</u> <u>End Office</u>	
Zone 1	\$0.000327	\$0.000327	\$0.000000	(T)
Zone 2	\$0.000360	\$0.000360	\$0.000000	
Zone 3	\$0.000370	\$0.000370	\$0.000000	(M)

\* Effective July 1, 2021, pursuant to FCC 20-143, separate rate elements for Toll Free and Non-Toll Free Originating Transport services were established. The Toll Free originating rate element for combined transport services is displayed as 8YY Joint Tandem Switched Transport in Section E6.8.2.C.6. (N)

(M) Material moved to Page 136.3.



ACCESS SERVICE TARIFF

Embarq Florida, Inc. d/b/a CenturyLink  
 BY: Chantel Bosworth, Director

Original Page 136.3

Effective: July 1, 2021

E6. SWITCHED ACCESS SERVICE

E6.8 Rates and Charges (Cont'd)

E6.8.2 Switched Transport (Cont'd)

C. Tandem-Switched Transport

	<u>Monthly Rate</u>	(M)
4. <i>Tandem Trunk Port</i>		
<i>DS0*</i>	\$ 4.05	
<i>DS1*</i>	\$93.58	
5. <i>Dedicated Multiplexing - DS3 to DS1:</i>		
- <i>Zone 1*</i>	\$211.00	
- <i>Zone 2*</i>	\$245.00	
- <i>Zone 3*</i>	\$250.00	(M)
6. <b>8YY Joint Tandem Switched Transport</b>	<b><u>Originating Toll Free*</u></b>	(N)
- <b>All Zones</b>	<b>\$0.001</b>	(N)

\* See Section E19 for Orlando and Tallahassee MSA Price Flexibility rates. (M)

\*\* Effective July 1, 2021, pursuant to FCC 20-143, separate rate elements for Toll Free and Non-Toll Free Originating Transport services were established. The Toll Free originating rate element for combined transport services is displayed as 8YY Joint Tandem Switched Transport. (N)

(M) Italicized material previously appeared on Fourth Revised Page 136.2.

ACCESS SERVICE TARIFF

Embarq Florida, Inc.  
**d/b/a CenturyLink**  
 By: Gary L. Kepley, Director

Fifth Revised Page 137  
 Cancels Fourth Revised Page 137 (T)

Effective: July 2, 2013

E6. SWITCHED ACCESS SERVICE

E6.8 Rates and Charges (Cont'd)

E6.8.2 Switched Transport (Cont'd)

D. Chargeable Optional Feature

1. Multiplexing

	<u>Monthly Charge</u>		<u>Nonrecurring Charge</u>		
DS1 to Voice Grade:					
- Zone 1*	<b>\$190.00</b>	<i>(R)</i>	<b>\$150.00</b>	<i>(I)</i>	C
- Zone 2*	<b>\$230.00</b>	<i>(R)</i>	<b>\$150.00</b>	<i>(I)</i>	
- Zone 3*	<b>\$245.00</b>	<i>(R)</i>	<b>\$150.00</b>	<i>(I)</i>	C
DS3 to DS1:					
- Zone 1*	<b>\$211.00</b>	<i>(R)</i>	<b>\$100.00</b>	<i>(I)</i>	C
- Zone 2*	<b>\$245.00</b>	<i>(R)</i>	<b>\$100.00</b>	<i>(I)</i>	
- Zone 3*	<b>\$250.00</b>	<i>(R)</i>	<b>\$100.00</b>	<i>(I)</i>	C
STS1 to DS1:					
- Zone 1*	\$375.00		\$250.00		
- Zone 2*	\$420.00		\$250.00		
- Zone 3*	\$575.00		\$250.00		

2. *Provision of Other than Telephone Company Selected Traffic Routing (available with FGB, FGC and FBD)*

(a) <i>Direct Trunking in lieu of Tandem Trunking</i>	GAR	GAR
(b) <i>Tandem Trunking in lieu of Direct Trunking</i>	GAR	GAR

3. *Customer Specification of Feature Group Directionality (Available with FGB, FGC\* and FGD)*

(a) <i>One-Way Operation in lieu of Two-Way Operation</i>	GAR	GAR
(b) <i>Two-Way Operation in lieu of Two-Way Operation</i>	GAR	GAR

4. *Customer Specification of Switched Transport Termination (Available with FGB with Type B Transmission Performance)*

<i>Four-Wire Termination in lieu of Two-Wire</i>	GAR	GAR
--	-----	-----

(M) **Material removed from this page now appears on Page 137.0.1.**  
 \* See Section E19 for Orlando and Tallahassee MSA Price Flexibility rates

(M)

(N)

(N)

(N)

ACCESS SERVICE TARIFF

Embarq Florida, Inc.  
**d/b/a CenturyLink**  
 By: Gary L. Kepley, Director

Original Page 137.0.1

Effective: July 2, 2013

E6. SWITCHED ACCESS SERVICE

E6.8 Rates and Charges (Cont'd)

E6.8.2 Switched Transport (Cont'd)

D. Chargeable Optional Feature

2. OptiPoint Configuration Node

a. OC3

- Per Arrangement

1 Year

Zone 1  
 Zone 2  
 Zone 3

Monthly  
Rates

\$186.00  
 195.00  
 205.00

(M)

(I)  
 (I)  
 (R)

3 Year

Zone 1  
 Zone 2  
 Zone 3

\$177.00  
 186.00  
 195.00

(I)  
 (I)  
 (I)

5 Year

Zone 1  
 Zone 2  
 Zone 3

\$168.00  
 176.00  
 185.00

(I)  
 (I)  
 (I)

b. OC12

- Per Arrangement

1 Year

Zone 1  
 Zone 2  
 Zone 3

\$840.00  
 900.00  
 960.00

3 Year

Zone 1  
 Zone 2  
 Zone 3

\$700.00  
 750.00  
 800.00

5 Year

Zone 1  
 Zone 2  
 Zone 3

\$600.00  
 650.00  
 700.00

(M)

(M) This material previously appeared on Page 137.

ACCESS SERVICE TARIFF

Embarq Florida, Inc.  
By: F. B. Poag, Director

Second Revised Page 137.1  
Cancels First Revised Page 137.1

Effective: October 28, 2003

E6. SWITCHED ACCESS SERVICE

E6.8 Rates and Charges

E6.8.2 Switched Transport (Cont'd)

D. Chargeable Optional Feature

2. OptiPoint Configuration Node

a. OC3 - Per Arrangement	Monthly Rates
1 year	
Zone 1	\$166.00
Zone 2	180.00
Zone 3	210.00
3 year	
Zone 1	\$138.00
Zone 2	150.00
Zone 3	175.00
5 Year	
Zone 1	\$125.00
Zone 2	138.00
Zone 3	150.00
b. OC12 - Per Arrangement	
1 year	
Zone 1	\$840.00
Zone 2	900.00
Zone 3	960.00
3 year	
Zone 1	\$700.00
Zone 2	750.00
Zone 3	800.00
5 Year	
Zone 1	\$600.00
Zone 2	650.00
Zone 3	700.00

Tariff Page revised 6/5/2006 to reflect company name change from Sprint to Embarq.

ACCESS SERVICE TARIFF

Embarq Florida, Inc.  
By: F. B. Poag, Director

Second Revised Page 137.1.1  
Cancels First Revised Page 137.1.1

Effective: October 28, 2003

E6. SWITCHED ACCESS SERVICE

E6.8 Rates and Charges

E6.8.2 Switched Transport (Cont'd)

D. Chargeable Optional Feature (Cont'd)

2. OptiPoint Configuration Node (Cont'd)

c. OC48		Monthly
- Per Arrangement		<u>Rates</u>
3 year		
Zone 1		\$775.00
Zone2		840.00
Zone3		920.00
5 Year		
Zone 1		\$660.00
Zone 2		720.00
Zone 3		800.00
d. OC192		
- Per Arrangement		
3 year		
Zone 1		\$2,335.00
Zone 2		2,520.00
Zone 3		2,725.00
5 year		
Zone 1		\$2,120.00
Zone 2		2,290.00
Zone 3		2,475.00

Tariff Page revised 6/5/2006 to reflect company name change from Sprint to Embarq.

ACCESS SERVICE TARIFF

Embarq Florida, Inc.  
By: F. B. Poag, Director

Second Revised Page 137.2  
Cancels First Revised Page 137.2

Effective: October 28, 2003

E6. SWITCHED ACCESS SERVICE

E6.8 Rates and Charges

E6.8.2 Switched Transport (Cont'd)

D. Chargeable Optional Feature (Cont'd)

3. OptiPoint-3 Configuration Card

	<u>Monthly Rates</u> <u>Per Card</u>
a. 1 Year Commitment Rates	
Zone 1	
DS1	\$ 24.00
DS3	66.00
OC3 Concatenated	384.00
STS1	72.00
Zone 2	
DS1	\$ 30.00
DS3	72.00
OC3 3 Concatenated	414.00
STS1	78.00
Zone 3	
DS1	\$ 36.00
DS3	78.00
OC3Concatenated	450.00
STS1	84.00
b.3 Year Commitment Rates	
Zone 1	
DS1	\$ 20.00
DS3	55.00
OC3 Concatenated	288.00
STS1	60.00
Zone 2	
DS1	\$ 25.00
DS3	60.00
OC3 3 Concatenated	300.00
STS1	65.00
Zone 3	
DS1	\$ 30.00
DS3	65.00
OC3Concatenated	313.00
STS1	70.00

Tariff Page revised 6/5/2006 to reflect company name change from Sprint to Embarq.

ACCESS SERVICE TARIFF

Embarq Florida, Inc.  
By: F. B. Poag, Director

First Revised Page 137.2.1  
Cancels Original Page 137.2.1

Effective: October 28, 2003

E6. SWITCHED ACCESS SERVICE

E6.8 Rates and Charges

E6.8.2 Switched Transport (Cont'd)

D. Chargeable Optional Feature (Cont'd)

3. OptiPoint-3 Configuration Card (Cont'd)

	<u>Monthly Rates Per Card</u>
c. 5 Year Commitment Rates	
Zone 1	
DS1	\$ 15.00
DS3	50.00
OC3 Concatenated	250.00
STS1	55.00
Zone 2	
DS1	\$ 20.00
DS3	55.00
OC3 Concatenated	275.00
STS1	60.00
Zone 3	
DS1	\$ 25.00
DS3	60.00
OC3 Concatenated	300.00
STS1	65.00

Tariff Page revised 6/5/2006 to reflect company name change from Sprint to Embarq.

ACCESS SERVICE TARIFF

Embarq Florida, Inc.  
By: F. B. Poag, Director

Third Revised Page 137.3  
Cancels Second Revised Page 137.3

Effective: October 28, 2003

E6. SWITCHED ACCESS SERVICE

E6.8 Rates and Charges

E6.8.2 Switched Transport (Cont'd)

D. Chargeable Optional Feature (Cont'd)

4. OptiPoint-12 Configuration Card

Monthly Rates  
Per Card

a. 1 Year Commitment Rates

Zone 1

DS1	\$ 24.00
DS3	66.00
OC3	174.00
OC3 Concatenated	198.00
OC12 Concatenated	3,480.00
STS1	72.00

Zone 2

DS1	\$ 30.00
DS3	72.00
OC3	186.00
OC3 Concatenated	246.00
OC12 Concatenated	3,600.00
STS1	78.00

Zone 3

DS1	\$ 36.00
DS3	78.00
OC3	198.00
OC3 Concatenated	294.00
OC12 Concatenated	3,720.00
STS1	84.00

Tariff Page revised 6/5/2006 to reflect company name change from Sprint to Embarq.



ACCESS SERVICE TARIFF

Embarq Florida, Inc.  
By: F. B. Poag, Director

First Revised Page 137.3.1  
Cancels Original Page 137.3.1

Effective: October 28, 2003

E6. SWITCHED ACCESS SERVICE

E6.8 Rates and Charges

E6.8.2 Switched Transport (Cont'd)

D. Chargeable Optional Feature (Cont'd)

4. OptiPoint-12 Configuration Card (Cont'd)

	<u>Monthly Rates</u> <u>Per Card</u>
b. 3 Year Commitment Rates	
Zone 1	
DS1	\$ 20.00
DS3	40.00
OC3	145.00
OC3 Concatenated	165.00
OC12 Concatenated	2,900.00
STS1	60.00
Zone 2	
DS1	\$ 25.00
DS3	60.00
OC3	155.00
OC3 Concatenated	205.00
OC12 Concatenated	3,000.00
STS1	65.00
Zone 3	
DS1	\$ 30.00
DS3	65.00
OC3	165.00
OC3 Concatenated	245.00
OC12 Concatenated	3,100.00
STS1	70.00

Tariff Page revised 6/5/2006 to reflect company name change from Sprint to Embarq.

ACCESS SERVICE TARIFF

Embarq Florida, Inc.  
By: F. B. Poag, Director

Third Revised Page 137.4  
Cancels Second Revised Page 137.4

Effective: October 28, 2003

E6. SWITCHED ACCESS SERVICE

E6.8 Rates and Charges

E6.8.2 Switched Transport (Cont'd)

D. Chargeable Optional Feature (Cont'd)

4. OptiPoint-12 Configuration (Cont'd)

c. 5 Year Commitment Rates

Monthly Rates  
Per Card

Zone 1

DS1	\$ 15.00
DS3	35.00
OC3	130.00
OC3 Concatenated	145.00
OC12 Concatenated	2,800.00
STS1	55.00

Zone 2

DS1	\$ 20.00
DS3	55.00
OC3	140.00
OC3 Concatenated	165.00
OC12 Concatenated	2,900.00
STS1	60.00

Zone 3

DS1	\$ 25.00
DS3	60.00
OC3	150.00
OC3 Concatenated	205.00
OC12Concatenated	3,000.00
STS1	65.00

Tariff Page revised 6/5/2006 to reflect company name change from Sprint to Embarq.

ACCESS SERVICE TARIFF

Embarq Florida, Inc.  
**d/b/a CenturyLink**  
 By: Gary L. Kepley, Director

Third Revised Page 137.5  
 Cancels Second Revised Page 137.5  
 Effective: July 2, 2013

(T)

E6. SWITCHED ACCESS SERVICE

E6.8 Rates and Charges (Cont'd)

E6.8.2 Switched Transport (Cont'd)

D. Chargeable Optional Feature (Cont'd)

5. OptiPoint-48 Configuration Card

	<u>Monthly Rates</u> <u>Per Card</u>
a. 3 Year Commitment Rates	
Zone 1	
DS3	\$90.00
OC3	250.00
OC12	400.00
OC3 Concatenated	275.00
OC12 Concatenated	440.00
STS1	100.00
Zone 2	
DS3	\$100.00
OC3	300.00
OC12	500.00
OC3 Concatenated	330.00
OC12 Concatenated	550.00
STS1	110.00
Zone 3	
DS3	\$110.00
<b>OC3</b>	<b>360.00</b>
OC12	600.00
OC3 Concatenated	440.00
OC12 Concatenated	660.00
STS1	120.00

(R)

ACCESS SERVICE TARIFF

Embarq Florida, Inc.  
By: F. B. Poag, Director

Fourth Revised Page 137.6  
Cancels Third Revised Page 137.6

Effective: June 7, 2003

E6. SWITCHED ACCESS SERVICE

E6.8 Rates and Charges (Cont'd)

E6.8.2 Switched Transport (Cont'd)

D. Chargeable Optional Feature (Cont'd)

5. OptiPoint-48 Configuration Card

b. 5 Year Commitment Rates

Monthly Rates  
Per Card

Zone 1

DS3	\$ 85.00
OC3	200.00
OC12	375.00
OC3 Concatenated	220.00
OC12 Concatenated	415.00
STS1	85.00

Zone 2

DS3	\$ 95.00
OC3	275.00
OC12	425.00
OC3 Concatenated	305.00
OC12 Concatenated	470.00
STS1	95.00

Zone 3

DS3	\$105.00
OC3	300.00
OC12	475.00
OC3 Concatenated	330.00
OC12 Concatenated	525.00
STS1	105.00

Tariff Page revised 6/5/2006 to reflect company name change from Sprint to Embarq.

ACCESS SERVICE TARIFF

Embarq Florida, Inc.  
**d/b/a CenturyLink**  
 By: Gary L. Kepley, Director

Second Revised Page 137.7  
 Cancels First Revised Page 137.7

(T)

Effective: July 2, 2013

E6. SWITCHED ACCESS SERVICE

E6.8 Rates and Charges (Cont'd)

E6.8.2 Switched Transport (Cont'd)

D. Chargeable Optional Feature (Cont'd)

6. OptiPoint-192 Configuration Card (Cont'd)

	<u>Monthly Rates</u> <u>Per Card</u>	
a. 3 Year Commitment Rates		
Zone 1		
DS3	\$130.00	
OC3	285.00	
OC12	540.00	
OC48	1,620.00	
OC3 Concatenated	320.00	
OC12 Concatenated	595.00	
OC48 Concatenated	1,785.00	
STS1	135.00	
Zone 2		
DS3	\$140.00	
OC3	320.00	
OC12	585.00	
OC48	1,750.00	
OC3 Concatenated	350.00	
OC12 Concatenated	645.00	
OC48 Concatenated	1,925.00	
STS1	145.00	
Zone 3		
DS3	\$155.00	
<b>OC3</b>	<b>395.00</b>	(I)
OC12	630.00	
OC48	1,890.00	
<b>OC3 Concatenated</b>	<b>400.00</b>	(I)
OC12 Concatenated	693.00	
OC48 Concatenated	2,080.00	
STS1	160.00	

ACCESS SERVICE TARIFF

Embarq Florida, Inc.  
**d/b/a CenturyLink**  
 By: Gary L. Kepley, Director

Second Revised Page 137.8  
 Cancels First Revised Page 137.8

(T)

Effective: July 2, 2013

E6. SWITCHED ACCESS SERVICE

E6.8 Rates and Charges (Cont'd)

E6.8.2 Switched Transport (Cont'd)

D. Chargeable Optional Feature (Cont'd)

6. OptiPoint-192 Configuration Card (Cont'd)

b. 5 Year Commitment Rates

Monthly Rates  
Per Card

Zone 1

DS3	\$120.00
OC3	260.00
OC12	490.00
OC48	1,470.00
OC3 Concatenated	290.00
OC12 Concatenated	540.00
OC48 Concatenated	1,620.00
STS1	125.00

Zone 2

DS3	\$130.00
OC3	290.00
<b>OC12</b>	<b>530.00</b>
OC48	1,590.00
OC3 Concatenated	320.00
OC12 Concatenated	585.00
OC48 Concatenated	1,750.00
STS1	135.00

(C)

Zone 3

DS3	\$140.00
OC3	315.00
OC12	575.00
OC48	1,720.00
OC3 Concatenated	345.00
OC12 Concatenated	630.00
OC48 Concatenated	1,890.00
STS1	145.00

(D)

ACCESS SERVICE TARIFF

Embarq Florida, Inc.  
By: F. B. Poag, Director

First Revised Page 137.9  
Cancels Original Page 137.9

Effective: June 7, 2003

E6. SWITCHED ACCESS SERVICE

E6.8 Rates and Charges (Cont'd)

E6.8.2 Switched Transport (Cont'd)

D. Chargeable Optional Feature (Cont'd)

7. OptiPoint - 3, 12, 48 and 192 Service Upgrade	<u>Nonrecurring Charge</u>
- Per DS1 or DS3 or STS1 Upgraded	\$1,000.00
8. OptiPoint Reconfiguration Charge	
- Per DS3 Equivalent	\$625.00

Tariff Page revised 6/5/2006 to reflect company name change from Sprint to Embarq.

ACCESS SERVICE TARIFF

Embarq Florida, Inc.  
d/b/a CenturyLink  
By: Gary L. Kepley, Director

Fifth Revised Page 138  
Cancels Fourth Revised Page 138

Effective: July 1, 2016

E6. SWITCHED ACCESS SERVICE

E6.8 Rates and Charges (Cont'd)

E6.8.2 Switched Transport (Cont'd)

E. Installation **[1]** (T)  
Nonrecurring Charge **[2]** (T)

- Per Trunk or line **\$14.20 (R)** (C)

F. OptiPoint Regeneration Charge

	1 Year	3 Year	5 Year
OC3	\$1,560.00	\$1,300.00	\$1,100.00
OC12	2,880.00	2,400.00	2,100.00
OC48	N/A	4,400.00	4,100.00
OC192	N/A	6,400.00	6,100.00

G. Network Blocking Charge (Applies to FGD)

- Per Call Blocked \$ 0.00

H. Nonchargeable Optional Features

1. Supervisory Signaling

- a. DX Supervisory Signaling arrangement
  - Per Transmission Path **[3]** (T)
- b. SF Supervisory Signaling
  - Per Transmission Path **[4]** (T)
- c. E&M Type I Supervisory Signaling arrangement
  - Per Transmission Path **[3]** (T)
- d. E&M Type II Supervisory Signaling arrangement
  - Per Transmission Path **[3]** (T)
- e. E&M Type III Supervisory Signaling
  - Per Transmission Path **[5]** (T)
- f. Tandem Supervisory Signaling
  - Per Transmission Path **[6]** (T)

**[1]** See Section E19 for Orlando and Tallahassee MSA Price Flexibility rates. (T)

**[2]** *This flat rated charge was calculated based upon a 50/50 split between originating and terminating. The FCC in their FCC 11-161 ICC Transformation order in section 51.907(d)(1) allowed Price Cap Carriers to use an equal split to divide the charge between originating and terminating elements. When the terminating portion of the rate is reduced and then combined with the originating portion of the rate, a single flat rate is generated for billing purposes.* (N)

**[3]** Available with Interface Groups 1 and 2. (T)

**[4]** Available with Interface Groups 2, 6 and 9.

**[5]** Available with Interface Groups 1 and 2 for FGC and FGD.

**[6]** Available with Interface Group 2 for FGA. (T)



ACCESS SERVICE TARIFF

Embarq Florida, Inc.  
By: F. B. Poag, Director

Fourth Revised Page 139  
Cancels Third Revised Page 139

Effective: April 25, 2002

E6. SWITCHED ACCESS SERVICE

E6.8 Rates and Charges (Cont'd)

E6.8.2 Switched Transport (Cont'd)

H. Nonchargeable Optional Features (Cont'd)

2. Customer specification of the receive transmission level at the first point of switching within a range acceptable to the Company

- Per Transmission Path<sup>1</sup>

3. Customer specification of Switched Transport Termination Four-wire termination in lieu of two-wire termination

- Per Transmission Path<sup>2</sup>

I. CCS/SS7 Interconnection

1. Local Channel

- Per Point of Termination

	<u>Monthly Rate</u>	<u>Nonrecurring Charge</u>	
		<u>Initial</u>	<u>Additional</u>
- 56.0 kbps	\$ 69.10	\$350.00	\$ 99.00
- 1.544 Mbps	140.90	745.00	335.00

Note 1: Available with Interface Groups 2, 6 and 9 for FGA and FGB. The range of transmission levels which may be specified is described in Technical Reference Publication GR-3334.

Note 2: Available with Feature Group B with Type B Transmission Specifications.

Tariff Page revised 6/5/2006 to reflect company name change from Sprint to Embarq.

ACCESS SERVICE TARIFF

Embarq Florida, Inc.  
By: F. B. Poag, Director

First Revised Page 140  
Cancels Original Page 140

Effective: January 1, 1997

E6. SWITCHED ACCESS SERVICE

E6.8 Rates and Charges (Cont'd)

E6.8.2 Switched Transport (Cont'd)

I. CCS/SS7 Interconnection (Cont'd)

2. Interoffice Channel

	Fixed Monthly Monthly Charge	Nonrecurring Charge Per Mile Channel	Charge per Channel
(a) 56.0 kbps			
(1) 0 mile	-	-	-
(2) 1 - 8 miles	\$ 37.55	\$ 3.80	\$ 36.00
(3) 9 - 25 miles	37.55	3.70	36.00
(4) Over 25 miles	37.55	3.60	36.00
(b) 1.544 Mbps			
(1) 0 mile	-	-	-
(2) 1 - 8 miles	\$ 64.35	\$ 29.80	\$ 200.00
(3) 9 - 25 miles	64.35	27.95	200.00
(4) Over 25 miles	64.35	26.10	200.00

3. Multiplexing

DS1 to DSO (required with 1.544 Mbps)

- Per Arrangement

	Monthly Rate	Nonrecurring Charge	
		Initial	Additional
Each	\$119.80	\$66.00	\$180.00

4. STP Port Charge

	Monthly Rate	Nonrecurring Charge
Per Port	\$485.00	None

Tariff Page revised 6/5/2006 to reflect company name change from Sprint to Embarq.

ACCESS SERVICE TARIFF

Embarq Florida, Inc. d/b/a CenturyLink  
 BY: Chantel Bosworth, Director

10th Revised Page 141  
 Cancels 9th Revised Page 141

Effective: July 1, 2022

E6. SWITCHED ACCESS SERVICE

E6.8 Rates and Charges (Cont'd)

E6.8.3 End Office

A. Local Switching

1. <u>LS1 and LS2– FGA, FGB, FGC and FGD</u>	<u>Rate Per Access Minute</u>	
• Originating		
- Toll Free	<b>\$0.001784</b>	(R)
- Non-Toll Free	\$0.017467	
• Terminating	\$0.000000	
2. <u>Trunk Conversion Charge</u>		
A nonrecurring charge(s) will apply when a customer requests a conversion of FGD trunks from SS7 signaling to multifrequency signaling as specified below.		
	<u>Nonrecurring Charge</u> <sup>[1]</sup>	
- Per 24 Channels Converted or Fraction Thereof	\$22.30	
3. <u>End Office to Tandem Rearrangement Charge</u>		
Nonrecurring charges as specified below will apply when a customer requests end office or tandem rearrangement of FGD trunks as set forth in E6.7.1 preceding.		
	<u>Nonrecurring Charge</u> <sup>[1]</sup>	
- Per 24 Channels Converted or Fraction Thereof	\$28.00	
4. <u>End Office Trunk Port</u>	<u>Monthly Rate</u> <sup>[2]</sup>	
DS0, per channel	\$ 2.03	
DS1	46.79	
5. <u>Common Trunk Port</u>	<u>Per Access Minute</u>	
• Originating		
- Toll Free	<b>\$0.0002785</b>	(R)
- Non-Toll Free	0.000557	
• Terminating	0.000000	

<sup>[1]</sup> This flat rated charge was calculated based upon a 50/50 split between originating and terminating. The FCC in their FCC 11-161 ICC Transformation order in section 51.907(d)(1) allowed Price Cap Carriers to use an equal split to divide the charge between originating and terminating elements. When the terminating portion of the rate is reduced and then combined with the originating portion of the rate, a single flat rate is generated for billing purposes.

<sup>[2]</sup> The End Office Dedicated Trunk Port rate was calculated based upon a 50/50 split between originating and terminating traffic using this flat-rated port. The FCC in their FCC 11-161 ICC Transformation order in section 51.907(d)(1) allowed Price Cap Carriers to use an equal split to divide the charge between originating and terminating elements. The terminating portion of the rate was reduced and then combined with the originating portion of the rate for a single flat rate. The Originating portion of the DS0 charge is \$2.03; and the originating portion of the DS1 charge is \$46.79.

## ACCESS SERVICE TARIFF

Embarq Florida, Inc.  
By: F. B. Poag, Director

Second Revised Page 142  
Cancels First Revised Page 142

Effective: October 26, 2001

### E6. SWITCHED ACCESS SERVICE

#### E6.8 Rates and Charges (Cont'd)

##### E6.8.3 End Office (Cont'd)

##### A. Local Switching (Cont'd)

##### 2. Local Switching Nonchargeable Optional Features

- i. Dial Pulse Address Signaling, available with FGC, Per Transmission Path Group
- m. Service Class Routing, available with FGC and FGD, Per Transmission Path Group
- n. Alternate Traffic Routing
  - Multiple Customer Premises Alternate Routing, available with FGB, FGC, and FGD, Per Transmission Path or Transmission Path Group
  - End Office Alternate Routing when ordered in Trunks, available with FGB and FGD, Per Transmission Path or Transmission Path Group
- o. Trunk Access Limitation Arrangement, available with FGC and FGD, Per End Office
- p. Call Gapping Arrangement, available with FGD, Per End Office
- q. Band Advance Arrangement for Dedicated Access Line Service, available with FGC and FGD, Per arrangement
- r. End Office End User Line Service Screening on Dedicated Access Line Service, available with FGC and FGD<sup>1</sup>, Per Transmission Path

Note <sup>1</sup>: This feature is required for originating only Dedicated Access Lines.

Tariff Page revised 6/5/2006 to reflect company name change from Sprint to Embarq.

ACCESS SERVICE TARIFF

Embarq Florida, Inc.  
By: F. B. Poag, Director

Fourth Revised Page 143  
Cancels Third Revised Page 143

Effective: October 16, 2002

E6. SWITCHED ACCESS SERVICE

E6.8 Rates and Charges (Cont'd)

E6.8.3 End Office (Cont'd)

A. Local Switching (Cont'd)

2. Local Switching Nonchargeable Optional Features

- s. Hunt Group Arrangement for Dedicated Access Lines Service, available with FGC and FGD, Per Transmission Path Group
- t. Uniform Call Distribution Arrangement for Dedicated Access Line Service, available with FGC and FGD, Per Transmission Path Group
- u. Nonhunting Number for use with Hunt Group Arrangement or U.C.D. Arrangement for Dedicated Access Line Service, available with FGC and FGD, Per Transmission Path
- v. Switched digital 56 Kbps services switching capability, available with Feature Group D only, Per Trunk Arrangement
- w. Enhanced Call Denial, available with FGA only, Per Line Equipped
- x. Prohibit 101XXXX, available only with WATS Arrangement Option, Per Arrangement Equipped
- y. Calling Party Number, Per end office, per trunk group
- z. Charge Number, Per end office, per trunk group
- aa. Carrier Selection Parameter, Per end office, per trunk group

Tariff Page revised 6/5/2006 to reflect company name change from Sprint to Embarq.

ACCESS SERVICE TARIFF

Embarq Florida, Inc.  
By: F. B. Poag, Director

Third Revised Page 144  
Cancels Second Revised Page 144

Effective: October 26, 2001

E6. SWITCHED ACCESS SERVICE

E6.8 Rates and Charges (Cont'd)

E6.8.3 End Office (Cont'd)

A. Local Switching (Cont'd)

2. Local Switching Nonchargeable Options (Cont'd)

ab. Line Side Terminations for FGA

- (1) Two Way Operation  
- Dial Pulse with Ground Start  
- DTMF with Loop Start  
- DTMF with Ground Start

- (2) Terminating Operation  
- Dial Pulse with Loop Start  
- Dial Pulse with Ground Start  
- DTMF with Loop Start  
- DTMF with Ground Start

- (3) Originating Operation  
- Loop Start  
- Ground Start

ac. Standard Trunk Terminations for FGB, FGC, and FGD

- (1) Standard Trunk for Originating, Terminating or Two-Way operation, available with FGB, FGC and FGD
- (2) Rotary Dial Station Signaling Trunk, available with FGB
- (3) Operator Trunk, available with FGB or FGC, and FGD when used in conjunction with Inward Operator Services
- (4) Operator Trunk, Full Feature Arrangement, available with FGD

Tariff Page revised 6/5/2006 to reflect company name change from Sprint to Embarq.

ACCESS SERVICE TARIFF

Embarq Florida, Inc.  
**d/b/a CenturyLink**  
By: Gary L. Kepley, Director

Third Revised Page 145  
Cancels Second Revised Page 145

(T)

Effective: July 2, 2013

E6. SWITCHED ACCESS SERVICE

E6.8 Rates and Charges (Cont'd)

E6.8.3 End Office (Cont'd)

A. Local Switching (Cont'd)

(M)

(M)

**(M) Material omitted from this page now appears on Page 141.**

ACCESS SERVICE TARIFF

Embarq Florida, Inc.  
d/b/a CenturyLink  
By: Gary L. Kepley, Director

Third Revised Page 146  
Cancels Second Revised Page 146

Effective: July 1, 2016

E6. SWITCHED ACCESS SERVICE

E6.8 Rates and Charges (Cont'd)

E6.8.3 End Office (Cont'd)

A. Local Switching (Cont'd)

6. Reserved For Future Use

7. Carrier Selection Parameter

Nonrecurring charges as specified below will apply when a customer requests the Carrier Selection Parameter optional feature described in 6.3 preceding. This charge does not apply if the feature is installed coincident with the initial installation of a service.

	<u>Nonrecurring Charge [1]</u>	(T)
- Per End Office Equipped	<b>\$ 9.35 (R)</b>	(C)

**[1] This flat rated charge was calculated based upon a 50/50 split between originating and terminating. The FCC in their FCC 11-161 ICC Transformation order in section 51.907(d)(1) allowed Price Cap Carriers to use an equal split to divide the charge between originating and terminating elements. When the terminating portion of the rate is reduced and then combined with the originating portion of the rate, a single flat rate is generated for billing purposes.**

(N)  
|  
(N)



ACCESS SERVICE TARIFF

Embarq Florida, Inc.  
By: F. B. Poag, Director

First Revised Page 147  
Cancels Original Page 147

Effective: January 1, 1997

E6. SWITCHED ACCESS SERVICE

E6.8 Rates and Charges (Cont'd)

E6.8.3 End Office (Cont'd)

B. Line Terminations

Dedicated Access Line Terminations Nonchargeable Options

1. Line Side Terminations:

- a. Originating Only Loop Start, Line Side Connection, with DTMF Address Signaling Per Transmission Path
- b. Originating Only Loop Start, Line Side Connection, with Dial Pulse Address Signaling Per Transmission Path
- c. Originating Only Ground Start, Line Side Connection, with DTMF Address Signaling Per Transmission Path
- d. Originating Only Ground Start, Line Side Connection, with Dial Pulse Address Signaling Per Transmission Path
- e. Terminating Only Loop Start, Line Side Connection Per transmission Path
- f. Terminating Only Ground Start, Line Side Connection Per Transmission Path

2. Trunk Side Terminations:

Terminating Only Trunk Side Connection for forwarding of Dialed Number Identification to End User Per Transmission Path

C. 900 Access Service NXX Activation Charge - Central Telephone

1. Per Company End Office Switch or Access Tandem in which translations are required

	Nonrecurring Charge
a. Second NXX Code submitted on ASR	\$43.61
b. Additional NXX Codes submitted on the same ASR	\$21.51

Tariff Page revised 6/5/2006 to reflect company name change from Sprint to Embarq.

ACCESS SERVICE TARIFF

Embarq Florida, Inc.  
**d/b/a CenturyLink**  
 By: Gary L. Kepley, Director

Third Revised Page 148  
 Cancels Second Revised Page 148 (T)

Effective: July 2, 2013

E6. SWITCHED ACCESS SERVICE

E6.8 Rates and Charges (Cont'd)

E6.8.4 Dedicated Access Line Service

A. Monthly Rate

1. Access Lines

	<u>Monthly Rate</u>	
(a) 2 wire InterLATA OutWATS, only <sup>1,2</sup>	<b>\$0.00 (R)</b>	(C)
(b) 4 wire InterLATA OutWATS, only <sup>1,2</sup>	<b>0.00 (R)</b>	(C)

2. Access Line Extensions

a. Located in the Same Exchange as Main Termination

(1) Second extension termination on different premises from main termination		
Each	<b>\$0.00 (R)</b>	(C)
(2) Additional termination in same building as main or other extension termination		
Each <sup>3</sup>	-	
(3) Second extension termination in different building, same premises as main or other extension termination		
Each	<b>\$ 0.00 (R)</b>	(C)

Note<sup>1</sup>: The Dedicated Access Line Monthly Rates will be reduced by the amount of the gross receipts tax for certified vendors of telecommunications services.

Note<sup>2</sup>: This service will be available 60 days from receipt of the first request for service.

Note<sup>3</sup>: Nonrecurring charge applies

ACCESS SERVICE TARIFF

Embarq Florida, Inc. d/b/a CenturyLink  
 By: Gary L. Kepley, Director

Fourth Revised Page 149  
 Cancels Third Revised Page 149

Effective: January 15, 2017

E6. SWITCHED ACCESS SERVICE

E6.8 Rates and Charges (Cont'd)

E6.8.4 Dedicated Access Line Service (Cont'd)

2. Access Line Extensions (Cont'd)

b. Located in Different Exchange from  
 Main Termination within same LATA

(1) Interexchange channel mileage charges and channel terminal charges apply as specified for series 2000 channels in this Company's **Local Terms of Service** plus:

(T)  
 (T)

	Monthly Rate
(a) Second termination	\$ 0.00
(b) Additional termination in same building with first or other tension termination, each <sup>1</sup>	-
(c) Additional termination in different building, same premises as first or other extension termination, each	\$ 0.00
(d) Additional termination on different premises, same exchange as first termination, each	\$ 0.00
3. Four-Wire Terminating Arrangement	
Each arrangement <sup>2</sup>	\$ 0.00

Note<sup>1</sup>: Nonrecurring charge applies.

Note<sup>2</sup>: This charge is in addition to the access line monthly recurring charges.

ACCESS SERVICE TARIFF

Embarq Florida, Inc.  
**d/b/a CenturyLink**  
 By: Gary L. Kepley, Director

Second Revised Page 150  
 Cancels First Revised Page 150 (T)

Effective: July 2, 2013

E6. SWITCHED ACCESS SERVICE

E6.8 Rates and Charges (Cont'd)

E6.8.4 Dedicated Access Line Service (Cont'd)

B. Installation Charges

Service Ordering Charge - The term Service Ordering Charge means the charge that applies for work performed by the Company in connection with the receiving, recording and processing of customer requests for service.

Central Office Work Charge and New Line Connection Charge - Covers work associated with establishing or changing each WATS access line or access line extension connection.

Premises Visit Charge - The term Premises Visit Charge means the charge that applies for a visit to the customer's premises to perform work, other than disconnect work, requested by the customer.

1. For installation of WATS access lines, extensions or four-wire terminating arrangements

a. Access Lines and Extension Lines

		<u>Nonrecurring Charge</u>		
		<u>United Telephone</u>	<u>Central Telephone</u>	
(1)	Service Ordering - Primary Each order	<b>\$0.00 (R)</b>	<b>\$0.00 (R)</b>	(C)
(2)	Service Ordering - Thirdary Each order	<b>\$0.00 (R)</b>	<b>\$0.00 (R)</b>	(C)
(3)	Central Office Work Charge <sup>1</sup> Each	<b>\$0.00 (R)</b>	<b>\$0.00 (R)</b>	(C)
(4)	New Line Connection Charge <sup>2</sup> Each	<b>\$0.00 (R)</b>	<b>\$0.00 (R)</b>	(C)
(5)	Premises Visit Each visit	<b>\$0.00 (R)</b>	<b>\$0.00 (R)</b>	(C)

b. Four-Wire Terminating Arrangements

(1)	This charge is in addition to the access line nonrecurring charges. Each arrangement	<b>\$0.00 (R)</b>	<b>\$0.00 (R)</b>	(C)
-----	---	-------------------	-------------------	-----

Note<sup>1</sup>: Central Office Work Charge is applicable for all access lines connected.

Note<sup>2</sup>: New Line Connection Charge is applicable for all new access lines or additional access lines over and above the number previously installed at a premises.

ACCESS SERVICE TARIFF

Embarq Florida, Inc. d/b/a CenturyLink  
By: Gary L. Kepley, Director

Third Revised Page 151  
Cancels Second Revised Page 151

Effective: January 15, 2017

E6. SWITCHED ACCESS SERVICE

E6.8 Rates and Charges (Cont'd)

E6.8.4 Dedicated Access Line Service (Cont'd)

B. Installation Charges (Cont'd)

For moving a dedicated access line or extension line

		<u>Nonrecurring Charge</u>	
		<u>United Telephone</u>	<u>Central Telephone</u>
a.	Inside Move		
(1)	Service Ordering Each order	\$0.00	\$0.00
(2)	Premises Visit Each visit	\$0.00	\$0.00
b.	Outside Move, Different Building		

Moves to a different building will be treated as a disconnect of the existing access line or extension and installation charges as specified in A19 of the **Local Terms of Service** will be applicable.

(T)

ACCESS SERVICE TARIFF

Embarq Florida, Inc.  
By: F. B. Poag, Director

First Revised Page 152  
Cancels Original Page 152

Effective: January 1, 1997

E6. SWITCHED ACCESS SERVICE

E6.8 Rates and Charges (Cont'd)

E6.8.4 Dedicated Access Line Service (Cont=e)

B. Installation Charges (Cont'd)

3. Conversion Charges

a. Changing the TFC Service telephone number to a different number at the request of the customer

	<u>Nonrecurring Charge</u>	
	<u>United Telephone</u>	<u>Central Telephone</u>
(1) Service Ordering Each order	\$12.50	\$14.00
(2) Central Office Work Charge <sup>1</sup> Each	\$19.50	\$21.05

b. Separating an existing TFC Service into two or more hunting arrangements which contain the same TFC Service access lines as the original hunting arrangement

(1) Service Ordering Each order	\$12.50	\$14.00
(2) Central Office Work Charge <sup>1</sup> Each	\$19.50	\$21.05

Note<sup>1</sup>: Central Office Work Charge is applicable for all access lines connected.

ACCESS SERVICE TARIFF

Embarq Florida, Inc.  
 By: F. B. Poag, Director

Second Revised Page 153  
 Cancels First Revised Page 153

Effective: July 16, 1997

E6. SWITCHED ACCESS SERVICE

E6.8 Rates and Charges (Cont'd)

E6.8.4 Dedicated Access Line Service (Cont'd)

B. Installation Charges (Cont'd)

3. Conversion Charges (Cont'd)

c. Combining two or more TFC Service hunting arrangements into a single hunting arrangement containing the same TFC Service access lines.

		<u>Nonrecurring Charge</u>	
		<u>United</u>	<u>Central</u>
		<u>Telephone</u>	<u>Telephone</u>
	(1) Service Ordering		
Each order		\$12.50	\$14.00
	(2) Central Office Work Charge <sup>1</sup>		
Each		\$19.50	\$21.05
4.	Conversion to a Four-Wire Termination Arrangement		
Each arrangement <sup>1</sup>		\$85.75	\$107.19

Note<sup>1</sup>: Central Office Work Charge is applicable for all access lines connected.

Tariff Page revised 6/5/2006 to reflect company name change from Sprint to Embarq.

ACCESS SERVICE TARIFF

Embarq Florida, Inc. d/b/a CenturyLink  
 BY: Chantel Bosworth, Director

4th Revised Page 154  
 Cancels 3rd Revised Page 154

Effective: July 1, 2022

E6. SWITCHED ACCESS SERVICE

E6.8 Rates and Charges (Cont'd)

E6.8.5 Toll Free Code (TFC) Access Service

		<u>Nonrecurring Charge</u>		
		<u>United</u>	<u>Central</u>	
		<u>Telephone</u>	<u>Telephone</u>	
A.	TFC Access Service Data Base Query - per query	<b>\$0.002224</b>	<b>\$0.002224</b>	(R)
B.	TFC Data Base Optional Features* - per query	\$0.000000	\$0.000000	
	* When a combination of one or more TFC Data Base Optional Service Features is used, only			



ACCESS SERVICE TARIFF

Embarq Florida, Inc.  
By: F. B. Poag, Director

First Revised Page 155  
Cancels Original Page 155

Effective: January 1, 1997

E6. SWITCHED ACCESS SERVICE

E6.8 Rates and Charges (Cont'd)

E6.8.6 900 Access Service - United Telephone

Additions or deletions of 900 NXX codes routed to a customer

Nonrecurring  
Charge

- A. Per Company end office switch (including end office collocated with access tandem)

Assembly of Route Pattern  
- applies only on initial  
request for 900 Access Service \$ 4.91

- B. Per Company access tandem or end office switch providing six digit screening

Activation or deactivation of each 900 NXX code contained in the same request per access tandem or screening end office \$ 1.64

Tariff Page revised 6/5/2006 to reflect company name change from Sprint to Embarq.

ACCESS SERVICE TARIFF

Embarq Florida, Inc.  
By: F. B. Poag, Director

Fifth Revised Page 156  
Cancels Fourth Revised Page 156

Effective: June 7, 2003

E6. SWITCHED ACCESS SERVICE

E6.8 Rates and Charges (Cont'd)

E6.8.7	500 Access Service	<b>Nonrecurring Charge</b>
	Additions or deletions of 500 NXX codes routed to a customer	
	A. Per Company end office switch (including end office collocated with access tandem)	
	Assembly of Route Pattern - applies only on initial request for Interim 500 Access Service	
	1+ Dialing	\$33.50
	0+ Dialing 33.50	
	B. Per Company access tandem or end office switch providing six digit screening	
	Activation or deactivation of each 500 NXX code tandem or screening end office	
	1+ Dialing	\$11.20
	0+ Dialing	11.20
	C. Pass-Through Charge	
	- per query	\$ 0.010000
E6.8.8	Optical Service Charge - Per Node	
	OC3	\$ 7,500.00
	OC12	8,500.00
	OC48	12,500.00
	OC192	17,500.00

Tariff Page revised 6/5/2006 to reflect company name change from Sprint to Embarq.

## ACCESS SERVICE TARIFF

Embarq Florida, Inc. d/b/a CenturyLink  
By: Chantel Miller, Director

Fifth Revised Page 1  
Cancels Fourth Revised Page 1

Effective: November 1, 2021

### E7. DEDICATED ACCESS SERVICES

#### CONTENTS

	<u>Page</u>	
E7.1	General	1
E7.1.1	Channel Types	1
E7.1.2	Rate Categories	3
E7.1.3	Service Configurations	5
E7.1.4	Alternate Use	9
E7.1.5	Special Feature Routing	9
E7.1.6	Design Layout Report	9
E7.1.7	Acceptance Testing	10
E7.1.8	Ordering Options and Conditions	10
E7.1.9	Jurisdictional Report Requirements	11
E7.2	Service Description	11
E7.2.1	Reserved For Future Use	13
E7.2.2	Voice Grade Service - <b>GRANDFATHERED</b>	14 (C)
E7.2.3	Digital Data Service - <b>GRANDFATHERED</b>	23 (C)
E7.2.4	High Capacity Service	26
E7.3	Channel Interface and Network Channel Codes	31
E7.3.1	Glossary of Channel Interface Codes and Options	31
E7.3.2	Impedence	35
E7.3.3	Digital Hierarchy Channel Interface Codes	35
E7.3.4	Service Designator/Network Channel Code Conversion Table	36
E7.4	Rate Regulations	37
E7.4.1	Types of Rates and Charges	37
E7.4.2	Dedicated Access Services Capable of Using the Local Exchange Network	45
E7.4.3	Minimum Periods	47
E7.4.4	Moves	47
E7.4.5	Mileage Measurement	48
E7.4.6	Facility Hubs	49
E7.4.7	Shared Use of Digital High Capacity Service	51
E7.4.8	Zone Density Plan	52
E7.4.9	Term Discount Plan	52.1

ACCESS SERVICE TARIFF

Embarq Florida, Inc. d/b/a CenturyLink  
By: Chantel Miller, Director

Fifth Revised Page 2  
Cancels Fourth Revised Page 2

Effective: November 1, 2021

E7. DEDICATED ACCESS SERVICES

CONTENTS

	<u>Page</u>	
E7.5 Rates and Charges	53	
E7.5.1 Voice Grade Service - <b>GRANDFATHERED</b>	53	(C)
E7.5.2 Digital Data Service - <b>GRANDFATHERED</b>	60	(C)
E7.5.3 High Capacity Service	67	
E7.5.4 Term Discount Plan	73	

ACCESS SERVICE TARIFF

Embarq Florida, Inc.  
BY: F. B. Poag, Director

Second Revised Page 1  
Cancels First Revised Page 1

Effective: January 7, 2000

E7. DEDICATED ACCESS SERVICES

E7.1 General

Dedicated Access Service provides a transmission path to directly connect an IC terminal location in a LATA to the end user premises<sup>1</sup>; two IC terminal locations; an IC terminal location and a HUB; a HUB and an end user premises; or two end user premises. Dedicated Access Service is used to connect the end user premises when the service is purchased for resale by AAVs (Interexchange or Intraexchange Private Line) or IXCs (Interexchange Private Line). Dedicated Access Service includes all exchange access not utilizing Company end office switches. This type of Access Service is used, for example, by IC's for the provision of private line service.

The connections provided by Dedicated Access Service can be either analog or digital. Analog connections are differentiated by spectrum and bandwidth. Digital connections are differentiated by bit rate.

E7.1.1 Channel Types

There are three types of channels used to provide Dedicated Access Services. Each type has its own characteristics. All are subdivided by one or more of the following:

- Transmission specifications
- Bandwidth
- Speed (i.e., bit rate)
- Spectrum

Customers can order a basic channel and select from a list of available transmission parameters and channel interfaces, that they desire to meet specific communications requirements.

For purposes of ordering channels, each has been identified as a type of Dedicated Access Service. However, such identification is not intended to limit a customer's use of the channel, nor to imply that the channel is limited to a particular use.

Note <sup>1</sup>: Company Centrex CO-like switches and other Company CO derived services are considered to be end user premises for purposes of this Tariff.

## ACCESS SERVICE TARIFF

Embarq Florida, Inc. d/b/a CenturyLink  
By: Chantel Miller, Director

Third Revised Page 2  
Cancels Second Revised Page 2

Effective: November 1, 2021

### E7. DEDICATED ACCESS SERVICES

#### E7.1 General (Cont'd)

##### E7.1.1 Channel Types (Cont'd)

Following is a brief description of each type of channel:

**Voice Grade** <sup>[1]</sup> - a channel for the transmission of analog signals within an approximate bandwidth of 300-3000 Hz. (C)

**Digital Data** <sup>[1]</sup> - a channel for the digital transmission of synchronous serial data at rates of 2.4, 4.8, 9.6, 19.2 or 56.0 Kbps. (C)

High Capacity - a channel for the transmission of isochronous serial digital data at rates of 1.544, 3.152, 6.312, 44.736 or 274.176 Mbps.

Detailed descriptions of each of the channel types are provided in 7.2. following.

The customer also has the option of ordering digital high capacity facilities (i.e., 1.544 Mbps, 3.152 Mbps, 6.312 Mbps, 44.736 Mbps and 274.176 Mbps) to a Company Hub for multiplexing to individual channels of a lower capacity. Descriptions of the types of multiplexing available at the hubs, as well as the number of individual channels which may be derived from each type of facility are set forth in E7.2. following. Additionally, the customer may specify optional features for the individual channels derived from the facility to further tailor the channel to meet specific communications requirements. Descriptions of the optional features and functions available are set forth in E7.2. following.

For example, a customer may order a 3.152 Mbps facility from a designated premises to a Company Hub for multiplexing to two 1.544 Mbps channels. The 1.544 Mbps channels may be further multiplexed at the same or a different Hub to Voice Grade channels or may be extended to other customer designated premises. Optional features may be added to either the 1.544 Mbps or the Voice Grade channels.

<sup>[1]</sup> **Effective November 1, 2021 Voice Grade and Digital Data Services are grandfathered. Availability to current customers is limited to circuits in service at existing locations.** (N)  
(N)

FL2021-12

ACCESS SERVICE TARIFF

Embarq Florida, Inc.  
By: F. B. Poag, Director

First Revised Page 3  
Cancels Original Page 3

Effective: January 1, 1997

E7. DEDICATED ACCESS SERVICES

E7.1 General (Cont'd)

E7.1.2 Rate Categories

There are three basic rate categories which apply to Dedicated Access Service:

- Local Channels (described in A. following)
- Interoffice Channel (described in B. following)
- Optional Features and Functions (described in C. following)

These basic categories are shown in the diagram in E7.1.3.A.

A. Local Channel

The Local Channel rate category provides for the communications path between a customer designated premises and the serving wire center of that premises. Included as part of the Local Channel is a standard channel interface arrangement which defines the technical characteristics associated with the type of facilities to which the access service is to be connected at the Point of Termination (POT) and the type of signaling capability, if any. The signaling capability itself is provided as an optional feature as set forth in C. following.

One Local Channel charge applies per customer designated premises at which the channel is terminated. This charge will apply even if the customer premises and the serving wire center are collocated in a Company building. The Local Channel rate element is further designated as to whether the premises is an end user or an IC terminal location. A Hub Termination charge applies in addition to each Digital Data Access Service Local Channel.

## ACCESS SERVICE TARIFF

Embarq Florida, Inc.  
By: F. B. Poag, Director

Third Revised Page 4  
Cancels Second Revised Page 4

Effective: June 25, 2002

### E7. DEDICATED ACCESS SERVICES

#### E7.1 General (Cont'd)

##### E7.1.2 Rate Categories (Cont'd)

###### B. Interoffice Channel

The Interoffice Channel rate category provides for the end office equipment and the transmission channel between the serving wire centers associated with two customer designated premises, between a serving wire center associated with a customer designated premises and a Company Hub, between two Company Hubs, or between a WATS Serving office and a customer serving wire center when the two are not collocated. Interoffice Channel is made up of the Channel Mileage Facility rate and the Channel Mileage Termination rate. Interoffice Channel Charges are set forth in Section 7.5 following.

###### (1) Channel Mileage Facility (Per Mile)

The Channel Mileage Facility rate recovers the cost for the transmission path which extends between the Company serving wire centers and/or Hub(s) and includes primarily outside plant used to provide the facility.

###### (2) Channel Mileage Termination (Fixed)

The Channel Mileage Termination rate recovers the cost for end office equipment associated with terminating the facility (i.e., basic circuit equipment and terminations at serving wire centers and Hubs). The Company applies a 50% billing percentage to the Channel Mileage Termination rate on jointly owned circuits and applies 100% on wholly owned circuits. When the Channel Mileage Facility is zero (0) (i.e., collocated serving wire center), neither the Channel Mileage Facility rate nor the Channel Mileage Termination rate will apply.

###### C. Optional Features and Functions

The Optional Features and Functions rate category provides for optional features and functions which may be added to a Dedicated Access Service to improve its quality or utility to meet specific communications requirements. These are not necessarily identifiable with specific equipment, but rather represent the end result in terms of performance characteristics which may be obtained. These characteristics may be obtained by using various combinations of equipment. Although the equipment necessary to perform a specified function may be installed at various locations along the path of the service, they will be charged for as a single rate element.

Examples of Optional Features and Functions that are available include, but are not limited to, the following:

- Signaling Capability
- Hubbing Functions
- Conditioning

Tariff Page revised 6/5/2006 to reflect company name change from Sprint to Embarq.



## ACCESS SERVICE TARIFF

Embarq Florida, Inc.  
By: F. B. Poag, Director

Second Revised Page 5  
Cancels First Revised Page 5

Effective: January 4, 2002

### E7. DEDICATED ACCESS SERVICES

#### E7.1 General (Cont'd)

##### E7.1.2 Rate Categories (Cont'd)

##### C. Optional Features and Functions (Cont'd)

A Hub is a Company designated serving wire center at which bridging or multiplexing functions are performed. The bridging functions performed are to connect three or more customer designated premises in a multipoint arrangements. The multiplexing functions are to channelize analog or digital facilities to individual services requiring a lower capacity. National Exchange Carrier Association, Inc. Tariff, FCC No. 4 identifies serving wire centers, Hub locations and the type of bridging or multiplexing functions available.

Descriptions for each of the available Optional Features and Functions are set forth in E7.2. following.

##### E7.1.3 Service Configurations

There are two types of service configurations over which Dedicated Access Services are provided: Two-point service and multipoint service.

A change from two-point to multipoint Dedicated Access Service or from multipoint to two-point Dedicated Access Service will be treated as a discontinuance of existing service and an installation of a new service.

##### A. Two-Point Service

A two-point service connects two customer designated premises, either on a directly connected basis or through a hub where multiplexing functions are performed.

Applicable rate elements are:

- Local Channels
- Interoffice Channel (as applicable)
- Optional Features and Functions (when applicable)

Tariff Page revised 6/5/2006 to reflect company name change from Sprint to Embarq.

ACCESS SERVICE TARIFF

Embarq Florida, Inc.  
By: F. B. Poag, Director

First Revised Page 6  
Cancels Original Page 6

Effective: January 1, 1997

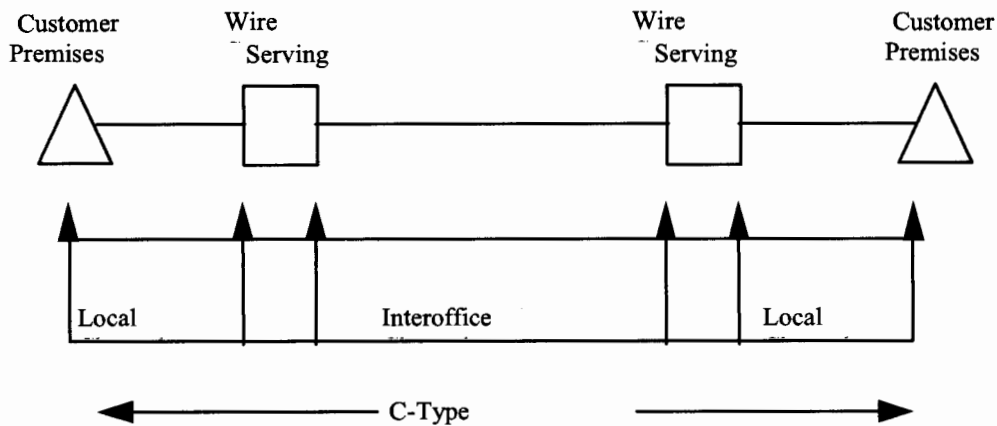
E7. DEDICATED ACCESS SERVICES

E7.1 General (Cont'd)

E7.1.3 Service Configurations (Cont'd)

A. Two-Point Service (Cont'd)

The following diagram depicts a two-point Voice Grade Service connecting two customer designated premises located 15 miles apart. The service is provided with C-type Conditioning.



LC - Local Channel  
IOC - Interoffice Channel  
SWC - Serving Wire Center

Applicable rate elements are:

- Local Channels (2 applicable)
- Interoffice Channel (mileage band Over 8 to 25 miles)
- C-Type conditioning Optional Feature

Tariff Page revised 6/5/2006 to reflect company name change from Sprint to Embarq.

ACCESS SERVICE TARIFF

Embarq Florida, Inc.  
By: F. B. Poag, Director

First Revised Page 7  
Cancels Original Page 7

Effective: January 1, 1997

E7. DEDICATED ACCESS SERVICES

E7.1 General (Cont'd)

E7.1.3 Service Configurations (Cont'd)

B. Multipoint Service

Multipoint service connects three or more designated premises through a Company Hub. There is no limitation on the number of mid-links available with multipoint service. However, when more than three mid-links are provided in tandem, the quality of the service may be degraded. A mid-link is a channel between hubs (i.e., bridging locations). Only certain types of Dedicated Access Service are provided as multipoint service. These are so designated in the Service Descriptions set forth in E7.2. following. Charges for Multipoint service will be billed to one customer.

Multipoint service utilizing a customized technical specifications package as set forth in E7.2 following will be provided when technically possible. If the Company determines that the requested characteristics for a multipoint service are not compatible, the customer will be advised and given the opportunity to change the order.

# ACCESS SERVICE TARIFF

Embarq Florida, Inc.  
By: F. B. Poag, Director

Second Revised Page 8  
Cancels First Revised Page 8

Effective: January 4, 2002

## E7. DEDICATED ACCESS SERVICES

### E7.1 General (Cont'd)

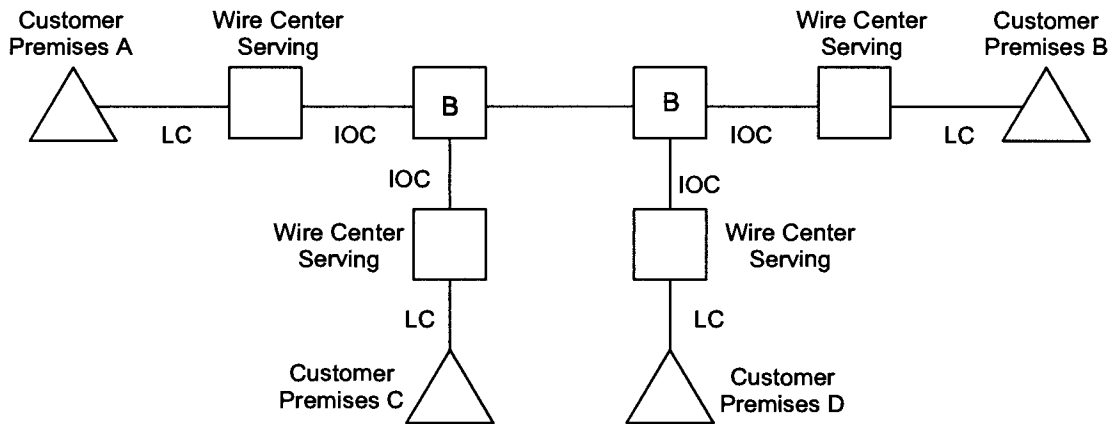
#### E7.1.3 Service Configurations (Cont'd)

When ordering the customer will specify the desired bridging Hub(s) selected from the National Exchange Carrier Association, Inc. Tariff, F.C.C. No. 4. This tariff identifies the type(s) of bridging functions which are available and the serving wire centers at which they are available.

Applicable Rate Elements are:

- Local Channels (one per customer designated premises)
- Interoffice Channel (as applicable between each designated customer premises and the Hub and between Hubs)
- Bridging
- Additional Optional Features (when applicable)

Example: Voice Grade multipoint connecting four customer premises via two customer specified bridging hubs.



LC - Local Channel  
IOC - Interoffice Channel  
B - Bridging  
SWC - Serving Wire Center

Applicable rate elements are:

- Local Channels (4 applicable)
- Interoffice Channel (5 sections, each from appropriate mileage band)
- Bridging Optional Feature (6 applicable, i.e., each bridge port)

Tariff Page revised 6/5/2006 to reflect company name change from Sprint to Embarq.

ACCESS SERVICE TARIFF

Embarq Florida, Inc.  
By: F. B. Poag, Director

First Revised Page 9  
Cancels Original Page 9

Effective: January 1, 1997

E7. DEDICATED ACCESS SERVICES

E7.1 General (Cont'd)

E7.1.4 Alternate Use

Alternate Use occurs when a service is arranged by the Company so that the end user can select different types of transmission at different times. The end user may use a service in any privately beneficial manner. However, where technical or engineering changes are required to effectuate an alternate use, the Company will make such special arrangements available on an individual case basis.

The arrangement required to transfer the service from one operation to the other (i.e., the transfer relay and control leads will be rated and provided on an individual case basis and filed in E12., Specialized Service or Arrangements. The end user will pay the stated tariff rates for the Access Service rate elements for the service ordered (i.e., Local Channels, Interoffice Channel (as applicable) and Optional Features and Functions (if any).

E7.1.5 Special Feature Routing

A customer may request that the facilities used to provide Dedicated Access Service be specially routed. The regulations, rates and charges for Special Facilities Routing (i.e., Avoidance, Diversity and Cable Only) are set forth in E11.

E7.1.6 Design Layout Report

At the request of the customer, the Company will provide the make-up of the facilities and services provided under this tariff as Dedicated Access Service to aid the customer in designing its overall service. This information will be provided in the form of a Design Layout Report. The Design Layout Report will be provided to the customer at no charge, and will be reissued whenever these facilities are materially changed.

ACCESS SERVICE TARIFF

Embarq Florida, Inc.  
By: F. B. Poag, Director

First Revised Page 10  
Cancels Original Page 10

Effective: January 1, 1997

E7. DEDICATED ACCESS SERVICES

E7.1 General (Cont'd)

E7.1.7 Acceptance Testing

At no additional charge, the Company will at the customer's request, cooperatively test, at the time of installation, the following parameters:

- A. For Voice Grade services, acceptance tests will include tests for loss, 3-tone slope, DC continuity, operational signaling, C-notched noise and C-message noise when these parameters are applicable and specified in the order for service. Additionally, for Voice Grade services, a balance (improved loss) test will be made if the customer has ordered the improved return loss optional feature.
- B. For digital services (i.e., Digital Data and High Capacity), acceptance tests will include tests for the parameters applicable to the service as specified in the order for service.

In addition to the preceding tests, Additional Cooperative Acceptance Testing for Voice Grade service to test other parameters, as described in E13.3.4.B., is available at the customer's request. All test results will be made available to the customer upon request.

- C. If acceptance tests are not started within 30 minutes after the scheduled appointment time for such tests, as negotiated between the Company and the IC, additional charges may apply to the IC, as set forth in E13.

E7.1.8 Ordering Options and Conditions

The options and conditions for access orders are set forth in detail in E5. Also included in that section are other charges which may be associated with ordering Dedicated Access Service (e.g., Service Date Change Charges, Cancellation Charges, etc.)

## ACCESS SERVICE TARIFF

Embarq Florida, Inc. d/b/a CenturyLink  
By: Chantel Miller, Director

Third Revised Page 11  
Cancels Second Revised Page 11

Effective: November 1, 2021

### E7. DEDICATED ACCESS SERVICES

#### E7.1 General (Cont'd)

##### E7.1.9 Jurisdictional Report Requirements

A customer or end user must order Dedicated Access Service for either interstate or intrastate use. Dedicated Access Service connecting to an interstate facility, either directly or through a customer provided switch, must be ordered as interstate Special Access.

#### E7.2 Service Description

For the purpose of ordering, there are three categories of Dedicated Access Service. These are:

- **Voice Grade**<sup>[1]</sup> (VG) (C)
- **Digital Data**<sup>[1]</sup> (DA) (C)
- High Capacity (HC)

Each service consists of a basic channel to which a technical specifications package (predefined), channel interface(s) and, when desired, optional features and functions are added to construct the service desired. Each of the Components of the service are described in this section.

The channel description specifies the characteristics of the basic channel and indicates whether the channel is provided between customer designated premises or between a customer designated premises and a Company hub where bridging multiplexing functions are performed.

Information pertaining to the technical specifications packages indicates the transmission parameters that are available with each package. The information is displayed in a matrix found in each service description (e.g., VG matrix in E7.2.2.B. following) with the transmission parameters listed down the left side and the packages listed across the top. Each package is identified by a code, e.g., VG1. The first two letters of the code indicate the category of Dedicated Access Service to which the parameters are applicable.

<sup>[1]</sup> **Effective November 1, 2021 Voice Grade and Digital Data Services are grandfathered. Availability to current customers is limited to circuits in service at existing locations.** (N)  
(N)

ACCESS SERVICE TARIFF

Embarq Florida, Inc.  
By: F. B. Poag, Director

First Revised Page 12  
Cancels Original Page 12

Effective: January 1, 1997

E7. DEDICATED ACCESS SERVICES

E7.2 Service Description (Cont'd)

These two-letter codes are shown preceding in parentheses following the category of Dedicated Access Service. The number "1" following the two-letter code indicates the technical specifications package for a service. A numeric or alpha-numeric designation following the two letter code indicates the specific predefined package. When appropriate, the Technical Reference which contains detailed specifications for the parameters is shown following the matrix.

Channel interfaces at each point of termination on a two-point service may be symmetrical or asymmetrical. On a multipoint service they may also be symmetrical or asymmetrical. However, communications can only be provided between points of termination with compatible channel interfaces. Only certain channel interfaces are compatible. These are set forth in a combination format.

Only certain channel interface combinations are available with the predefined technical specifications packages. These are delineated in the Technical References set forth herein.

The optional features and functions available with each type of Dedicated Access Service are described in this section. The optional features and functions information also indicates with which technical specifications packages they are available. Such information is displayed in a matrix with the optional feature or function listed down the left side and the technical specifications package listed across the top.

The Company will maintain existing transmission specifications on services installed prior to the effective date of this tariff, except that the existing services with performance specifications exceeding the standard listed in this provision will be maintained at the performance levels specified in this tariff.



ACCESS SERVICE TARIFF

Embarq Florida, Inc. d/b/a CenturyLink  
By: Chantel Miller, Director

Fourth Revised Page 13  
Cancels Third Revised Page 13

Effective: November 1, 2021

E7. DEDICATED ACCESS SERVICES

E7.2 Service Description (Cont'd)

All services installed after the effective date of this tariff will conform to the transmission specification standards contained in this tariff or in the following Technical References for such category of service:

<b>Voice Grade</b> <sup>[1]</sup>	TR-NWT-000335	(C)
<b>Digital Data</b> <sup>[1]</sup>	TR-NWT-000341	(C)
for 2.4, 4.8, 9.6 and 56.0 Kbps	TR-NWT-000335	
for 19.2 Kbps	TR-NWT-000335	
for 64.0 Kbps	TR-NWT-000335	
High Capacity	GR-342	
	GR-54	

E7.2.1 Reserved For Future Use

<sup>[1]</sup> **Effective November 1, 2021 Voice Grade and Digital Data Services are grandfathered.** (N)  
**Availability to current customers is limited to circuits in service at existing locations.** (N)

ACCESS SERVICE TARIFF

Embarq Florida, Inc. d/b/a CenturyLink  
By: Chantel Miller, Director

Fourth Revised Page 14  
Cancels Third Revised Page 14

Effective: November 1, 2021

E7. DEDICATED ACCESS SERVICES

E7.2 Service Description (Cont'd)

E7.2.1 Reserved For Future Use (Cont'd)

E7.2.2 **Voice Grade Service** <sup>[1]</sup>

(C)

A. Basic Channel Description

A Voice Grade channel is a channel which provides voice frequency transmission capability in the normal frequency range of 300 to 3000 Hz and may be terminated two-wire or four wire.

<sup>[1]</sup> **Effective November 1, 2021 Voice Grade Services are grandfathered. Availability to current customers is limited to circuits in service at existing locations.**

(N)  
(N)

ACCESS SERVICE TARIFF

Embarq Florida, Inc. d/b/a CenturyLink  
By: Chantel Miller, Director

Fourth Revised Page 15  
Cancels Third Revised Page 15

Effective: November 1, 2021

E7. DEDICATED ACCESS SERVICES

E7.2 Service Description (Cont'd)

E7.2.2 **Voice Grade Service** <sup>[1]</sup> (Cont'd)

(C)

B. Technical Specifications Packages

Parameter	C <sup>2</sup>	VG MATRIX											
		1	2	3	4	5	6	7	8	9	10	11	12
Attention Distortion	X	X	X	X	X	X	X	X	X	X	X	X	X
C-Message Noise	X	X	X	X	X	X	X	X	X	X	X	X	X
Echo Control	X	X	X	X		X		X	X			X	X
Envelope Delay Distortion	X						X	X	X	X	X	X	X
Frequency Shift	X						X	X	X	X	X	X	X
Impulse Noise	X					X	X	X	X	X	X	X	X
Intermodulation Distortion						X	X	X	X	X	X		
Loss Deviation	X	X	X	X	X	X	X	X	X	X	X	X	X
Phase Hits, Gain Hits, and Dropouts	X												
Phase Jitter	X						X	X	X	X	X	X	
Signal-to-C Message Noise					X								
Signal-to-C Notch Noise	X					X	X	X	X	X	X	X	X

The technical specifications for these parameters are delineated in Technical Reference Publication TR-NWT-000335

C. Channel Interfaces<sup>1</sup>

The following channel interfaces for Voice Grade service do not require signaling capability: AH, DA, DB, DD, DE, DS, NO, PR and TF.

The following channel interfaces for Voice Grade service require signaling capability: AB, AC, CT, DX, EA, EB, EC, EX, GO, GS, LA, LB, LC LO, LR, LS, RV AND SF.

Compatible channel interfaces are set forth in Technical Reference TR-NPL-A and Associated Addendum.

Note<sup>1</sup>: Channel Interface Codes are found in E7.3.1 following.

Note<sup>2</sup>: The desired parameters are selected by the customer from the list of available parameters.

<sup>[1]</sup> **Effective November 1, 2021 Voice Grade Services are grandfathered. Availability to current customers is limited to circuits in service at existing locations.**

(N)  
(N)

## ACCESS SERVICE TARIFF

Embarq Florida, Inc. d/b/a CenturyLink  
By: Chantel Miller, Director

Third Revised Page 16  
Cancels Second Revised Page 16

Effective: November 1, 2021

### E7. DEDICATED ACCESS SERVICES

#### E7.2 Service Description (Cont'd)

##### E7.2.2 **Voice Grade Service** <sup>[1]</sup> (Cont'd)

(C)

#### D. Optional Features and Functions

##### 1. Central Office Bridging Capability

- a. Voice Bridging (two-wire or four-wire): provides for the parallel connection of one voice circuit to another without interrupting the integrity or continuity of the first.
- b. Data Bridging (two-wire or four-wire): provides for the parallel connection of one data circuit to another without interrupting the integrity or continuity of the first.
- c. Telephoto Bridging (two-wire or four-wire): provides for the parallel connection of one Telephoto circuit to another without interrupting the integrity or continuity of the first.

##### 2. Conditioning

Conditioning provides more specific transmission characteristics for Voice Grade services. C-Type conditioning controls attenuation distortion and envelope delay distortion. Sealing Current helps maintain continuity on dry metallic loops.

In addition, a customer may desire that either the attenuation distortion or the envelope delay distortion, or both, be improved to more stringent specifications than those provided for C-Type conditioning. In such cases the customer has the option of ordering Improved Attenuation Distortion and/or Improved Envelope Delay Distortion.

<sup>[1]</sup> **Effective November 1, 2021 Voice Grade Services are grandfathered. Availability to current customers is limited to circuits in service at existing locations.**

(N)  
(N)

ACCESS SERVICE TARIFF

Embarq Florida, Inc. d/b/a CenturyLink  
By: Chantel Miller, Director

Second Revised Page 17  
Cancels First Revised Page 17

Effective: November 1, 2021

E7. DEDICATED ACCESS SERVICES

E7.2 Service Description (Cont'd)

E7.2.2 **Voice Grade Service** <sup>[1]</sup> (Cont'd)

(C)

D. Optional Features and Functions (Cont'd)

2. Conditioning (Cont'd)

For two-point services, the parameters apply to each service. For multipoint services, the parameters apply to each mid link or end link. C-Type conditioning and D-Conditioning may be combined on the same service.

a. CType Conditioning

C-Type Conditioning is provided for the additional control of attenuation distortion and envelope delay distortion on data services. The attenuation and envelope delay distortion specifications for C-Type Conditioning are:

Attenuation Distortion (Frequency Response) Relative to 1004 Hz

Frequency Range (Hz)	Variation (dB)
504 - 2804	-1.0 to +3.0
304 - 3004	-2.0 to +6.0

Envelope Delay Distortion

Frequency Range (Hz)	Variation (micro-seconds)
1004 - 2604	Less Than 501
604 - 2604	Less Than 1501

<sup>[1]</sup> **Effective November 1, 2021 Voice Grade Services are grandfathered. Availability to current customers is limited to circuits in service at existing locations.**

(N)

(N)

ACCESS SERVICE TARIFF

Embarq Florida, Inc. d/b/a CenturyLink  
By: Chantel Miller, Director

Second Revised Page 18  
Cancels First Revised Page 18

Effective: November 1, 2021

E7. DEDICATED ACCESS SERVICES

E7.2 Service Description (Cont'd)

E7.2.2 **Voice Grade Service** <sup>[1]</sup> (Cont'd)

(C)

D. Optional Features and Functions (Cont'd)

2. Conditioning (Cont'd)

b. Improved Attenuation Distortion

Improved attenuation distortion is provided for additional control of attenuation distortion. The improved attenuation distortion specifications are:

Attenuation Distortion (Frequency Response) Relative to 1004 Hz

Frequency Range (Hz)	Variation (dB)
404 - 2804	-1.0 to +2.0
304 - 3004	-1.0 to +3.0
3004 - 3204	-2.0 to +6.0

c. Improved envelope delay distortion is provided for additional control of envelope distortion. The improved envelope delay distortion specifications are:

Envelope Delay Distortion

Frequency Range (Hz)	Variation (micro-seconds)
1001 - 2604	Less Than 101
604 - 2604	Less Than 301
504 - 2804	Less Than 3001

<sup>[1]</sup> **Effective November 1, 2021 Voice Grade Services are grandfathered. Availability to current customers is limited to circuits in service at existing locations.**

(N)  
(N)

ACCESS SERVICE TARIFF

Embarq Florida, Inc. d/b/a CenturyLink  
By: Chantel Miller, Director

Third Revised Page 19  
Cancels Second Revised Page 19

Effective: November 1, 2021

E7. DEDICATED ACCESS SERVICES

E7.2 Service Description (Cont'd)

E7.2.2 **Voice Grade Service** <sup>[1]</sup> (Cont'd)

(C)

D. Optional Features and Functions (Cont'd)

2. Conditioning (Cont'd)

d. Sealing Current Conditioning

Sealing Current Conditioning is provided to help maintain continuity on dry metallic loops. It is usually associated with four-wire DA or NO type channel interfaces.

3. Customer Specified Premises Receive Level

This option allows the customer to specify the receive level at the Point of Termination. The level must be within a specific range on effective four-wire transmission.

4. Improved Return Loss

On Effective Two-Wire Transmission at Two-Wire Point of Termination: Provides for more stringent Echo Control specifications. In order for this option to be applicable, the transmission path must be four-wire at one POT and two-wire at the other POT. Placement of Company equipment may be required at the customer's premises with the two-wire POT.

**[1] Effective November 1, 2021 Voice Grade Services are grandfathered. Availability to current customers is limited to circuits in service at existing locations.**

(N)

(N)

FL2021-12

## ACCESS SERVICE TARIFF

Embarq Florida, Inc. d/b/a CenturyLink  
By: Chantel Miller, Director

Third Revised Page 20  
Cancels Second Revised Page 20

Effective: November 1, 2021

### E7. DEDICATED ACCESS SERVICES

#### E7.2 Service Description (Cont'd)

##### E7.2.2 **Voice Grade Service** <sup>[1]</sup> (Cont'd)

(C)

#### D. Optional Features and Functions (Cont'd)

##### 5. DA-Type Conditioning

DA-Type Conditioning provides transmission characteristics suitable for data communications. Specifically, DA-Type Conditioning provides for the control of Signal to C-Notched Noise Ratio and intermodulation distortion. It is available for two-point services or multipoint services.

The signal to C-Notched Noise Ratio and intermodulation distortion parameters for DA-Type Conditioning are:

- Signal to C-Notched Noise Ratio is equal to or greater than 32dB
- Intermodulation distortion:
  - Signal to second order modulation products (R2) is equal to or greater than 38dB
  - Signal to third order modulation products (R3) is equal to or greater than 42dB

When a service equipped with DA-Type Conditioning and is used for voice communications, the quality of the voice transmission may not be satisfactory.

<sup>[1]</sup> **Effective November 1, 2021 Voice Grade Services are grandfathered. Availability to current customers is limited to circuits in service at existing locations.**

(N)  
(N)



ACCESS SERVICE TARIFF

Embarq Florida, Inc. d/b/a CenturyLink  
By: Chantel Miller, Director

Third Revised Page 21  
Cancels Second Revised Page 21

Effective: November 1, 2021

E7. DEDICATED ACCESS SERVICES

E7.2 Service Description (Cont'd)

E7.2.2 **Voice Grade Service** <sup>[1]</sup> (Cont'd)

(C)

D. Optional Features and Functions (Cont'd)

6. Telephoto Conditioning

Telephoto Conditioning provides transmission characteristics suitable for telephotographic communications. Specifically, Telephoto Conditioning is provided for the control of attenuation distortion and envelope delay distortion on telephotographic services. The attenuation distortion and envelope delay distortion parameters for Telephoto Conditioning are:

Attenuation Distortion  
(2204 Hz Reference)

Frequency Range (Hz)	Variation (dB)
304 - 3204	-1.0 to +2.5
504 - 3004	-0.5 to +1.5

Envelope Delay Distortion

Frequency Range (Hz)	Variation (micro-seconds)
1004 - 2604	Less Than 111
804 - 2804	Less Than 181

7. Improved Termination

On effective Four-Wire Transmission at Four-Wire Point of Termination (applicable to each two-wire port): Provides for a fixed 600 ohm impedance, variable level range and simplex reversal. Company equipment is required at the customer's premises when this option is ordered.

<sup>[1]</sup> **Effective November 1, 2021 Voice Grade Services are grandfathered. Availability to current customers is limited to circuits in service at existing locations.**

(N)  
(N)

ACCESS SERVICE TARIFF

Embarq Florida, Inc. d/b/a CenturyLink  
By: Chantel Miller, Director

Third Revised Page 22  
Cancels Second Revised Page 22

Effective: November 1, 2021

E7. DEDICATED ACCESS SERVICES

E7.2 Service Description (Cont'd)

E7.2.2 **Voice Grade Service** <sup>[1]</sup> (Cont'd)

(C)

D. Optional Features and Functions (Cont'd)

The following table shows the technical specifications packages with which the optional features and functions are available:

	Available with Technical Specifications Package VG-											
	1	2	3	4	5	6	7	8	9	10	11	12
C-Type Conditioning				X	X	X	X	X	X			
Improved Attenuation Distortion				X	X	X	X	X	X			
Improved Envelope Delay Distortion				X	X	X	X	X	X			
Sealing Current Conditioning					X							
DA-Type Conditioning					X	X				X		
Central Office Bridging		X			X	X				X	X	X
Customer Specified Premises Receive Level	X	X	X	X	X	X	X	X	X	X	X	
Improved Return Loss	X	X					X					
Improved Termination	X	X	X	X	X	X	X	X	X	X	X	X
Telephoto Conditioning											X	

<sup>[1]</sup> **Effective November 1, 2021 Voice Grade Services are grandfathered. Availability to current customers is limited to circuits in service at existing locations.**

(N)  
(N)

ACCESS SERVICE TARIFF

Embarq Florida, Inc. d/b/a CenturyLink  
By: Chantel Miller, Director

Fourth Revised Page 23  
Cancels Third Revised Page 23

Effective: November 1, 2021

E7. DEDICATED ACCESS SERVICES

E7.2 Service Description (Cont'd)

E7.2.2 **Voice Grade Service** <sup>[1]</sup> (Cont'd) (C)

E. Four-Wire/Two-Wire Conversations

When a customer requests that an effective four-wire channel be terminated with a two-wire channel interface at the customer designated premises, a four-wire to two-wire conversion of the four-wire local channel is required. The rate for the conversion is included as part of the basic Local Channel rate.

E7.2.3 **Digital Data Service** <sup>[1]</sup> (C)

A. Basic Channel Description

A Digital Data channel is a channel for duplex four-wire transmission of synchronous serial data at the rate of 2.4, 4.8, 9.6, 19.2, 56 or 64 Kbps. The actual bit rate is a function of the channel interface and channel selected by the customer. The channel provides a synchronous service with timing provided by the Company through the Company's facilities to the customer in the received bit stream. Subrating is not available at the 19.2 Kbps speed.

<sup>[1]</sup> **Effective November 1, 2021 Voice Grade and Digital Data Services are grandfathered. Availability to current customers is limited to circuits in service at existing locations.** (N)  
(N)

ACCESS SERVICE TARIFF

Embarq Florida, Inc. d/b/a CenturyLink  
By: Chantel Miller, Director

Third Revised Page 24  
Cancels Second Revised Page 24

Effective: November 1, 2021

E7. DEDICATED ACCESS SERVICES

E7.2 Service Description (Cont'd)

E7.2.3 **Digital Data Service** <sup>[1]</sup> (Cont'd)

(C)

A. Basic Channel Description (Cont'd)

The customer may provide the Channel Service Unit-type equipment or other Network Channel Terminating Equipment associated with the Digital Data channel at the customer premises. The interim program for interconnection of such equipment is set forth in Technical Reference Publication AS No. 1.

B. Technical Specifications Packages

DA Matrix

Parameter	<u>1</u>	<u>2</u>	<u>3</u>	<u>4</u>	<u>5</u>	<u>6</u>
Error Free Thirds	X	X	X	X	X	X

The Company will provide a channel capable of meeting a monthly average performance equal to or greater than 99.875 percent error-free seconds while the channel is in service, if it is measured through a CSU equivalent which is designed, manufactured, and maintained to conform with the interconnection specifications contained in Technical Reference PUB MDP-326-726.

Interface options and service objectives are as specified in Technical Reference TR-NPL-000341.

<sup>[1]</sup> **Effective November 1, 2021 Digital Data Services are grandfathered. Availability to current customers is limited to circuits in service at existing locations.**

(N)  
(N)

ACCESS SERVICE TARIFF

Embarq Florida, Inc. d/b/a CenturyLink  
By: Chantel Miller, Director

Fifth Revised Page 25  
Cancels Fourth Revised Page 25

Effective: November 1, 2021

E7. DEDICATED ACCESS SERVICES

E7.2 Service Description (Cont'd)

E7.2.3 **Digital Data Service** <sup>[1]</sup> (Cont'd)

(C)

C. Channel Interfaces

The following channel interfaces (CIs) define the bit rates that are available for a Digital Data channel:

<u>CI</u>	<u>Bit Rate</u>
DU-24(S)	2.4 Kbps
DU-48(S)	4.8 Kbps
DU-96(S)	9.6 Kbps
DU-19	19.2 Kbps
DU-56(S)	56.0 Kbps
DU-64	64.0 Kbps

The (S) is an additional BellSouth designation for use when the optional Secondary Channel feature is required.

D. Optional Features and Functions

1. Data Amplification

Provides for data transmission when the customer is located beyond the normal range of 42 decibel (dB) loss for digital data service (56.0 Kbps and 64.0 Kbps). The dB loss is determined by the route and length of the cable in addition to the gauge of the cable from the last signaling point (usually, but not always the switching office) to the customer's premise. When the dB loss is greater than 42, a repeater and associated equipment must be installed to regenerate the digital signal for accurate and acceptable data transmission to occur.

2. Central Office Bridging Capability

Provides for the parallel connection of one virtual circuit without interrupting the integrity or continuity of the first. This service is only available from a company-designated digital hub.

<sup>[1]</sup> **Effective November 1, 2021 Digital Data Services are grandfathered. Availability to current customers is limited to circuits in service at existing locations.**

(N)  
(N)

ACCESS SERVICE TARIFF

Embarq Florida, Inc. d/b/a CenturyLink  
 By: Chantel Miller, Director

Second Revised Page 25.1  
 Cancels First Revised Page 25.1

Effective: November 1, 2021

E7. DEDICATED ACCESS SERVICES

E7.2 Service Description (Cont'd)

E7.2.3 **Digital Data Service** <sup>[1]</sup> (Cont'd)

(C)

D. Optional Features (Cont'd)

3. Secondary Channel Capability (SCC) is a derived companion digital transmission path that is independent of the primary data path and operates at a substantially lower bit rate. This derived channel allows the customer to perform network management functions during the normal operation of the network. This diagnostics channel utilizes a portion of a customer's previously unavailable data bit stream allowing for the ability to remotely control and test the network and peripheral devices without taking the network out of service. Special customer equipment is necessary to utilize the benefits of the Secondary Channel. Customers not wishing to utilize this capability will not be impacted. Due to transmission equipment restrictions, Secondary Channel cannot be provided on 56 Kbps circuits that require the installation of loop repeater equipment for provision of service.

The following table shows the technical specifications packages with which the optional features and functions are available.

	Available with Technical Specifications Package DA-					
	<u>1</u>	<u>2</u>	<u>3</u>	<u>4</u>	<u>5</u>	<u>6</u>
Central Office Bridging Capabilities	X	X	X	X	X	
Secondary Channel Capabiltiy	X	X	X	X	X	
Data Amplification				X		

<sup>[1]</sup> **Effective November 1, 2021 Digital Data Services are grandfathered. Availability to current customers is limited to circuits in service at existing locations.**

(N)  
 (N)

## ACCESS SERVICE TARIFF

Embarq Florida, Inc. d/b/a CenturyLink  
By: Chantel Miller, Director

Fifth Revised Page 26  
Cancels Fourth Revised Page 26

Effective: November 1, 2021

### E7. DEDICATED ACCESS SERVICES

#### E7.2 Service Description (Cont'd)

##### E7.2.4 High Capacity Service

###### A. Basic Channel Description (Cont'd)

- 1) A High Capacity channel is a channel for the transmission of nominal 64.0 Kbps or 1.544, 3.152, 6.312, 44.736 or 274.176 Mbps isochronous serial data. The actual bit rate is a function of the channel interface selected by the customer. High Capacity services are provided between customer designated premises through serving wire centers or between a customer designated premises and a Company Hub.

The channel termination rate element for DS3 services may vary based on distance. The mileage used to determine the monthly rate for channel terminations located outside a Telephone Company Central Office is the airline distance between the customer's designated premises and the Telephone Company serving wire center. The mileage measurement is determined by utilizing exchange maps and mileage tables located in designated Telephone Company offices for such purposes.

- 2) **Fractional DS1** <sup>[1]</sup> channels provide simultaneous, two-way transmission at contiguous bit rates of 128.0, 256.0 and 384.0 kbps. Fractional DS1 channels operate over the combined bandwidth of adjacent channels to create a contiguous bit rate. (C)

Due to technical limitations associated with the provision of Fractional DS1, this service will be offered only in central offices where a compatible channel bank exists and the distance between the central office and the customer designated premises is less than or equal to 12,000 feet.

**[1] Effective November 1, 2021 Fractional DS1 Services are grandfathered. Availability to current customers is limited to circuits in service at existing locations.** (N)  
(N)

ACCESS SERVICE TARIFF

Embarq Florida, Inc.  
By: F. B. Poag, Director

Fifth Revised Page 27  
Cancels Fourth Revised Page 27

Effective: January 4, 2002

E7. DEDICATED ACCESS SERVICES

E7.2 Service Description (Cont'd)

E7.2.4 High Capacity Service (Cont'd)

B. Technical Specifications Packages

HC Matrix

Parameters	0	1	1C	2	3	4
Error-Free Thirds	X					

A channel with technical specifications package HC1 will be capable of an error-free second performance of 98.75 percent over a continuous 24 hour period as measured at the 1.544 Mbps rate through a CSU equivalent which is designed to conform with the interconnection specifications contained in Technical Reference Publication GR-54.

C. Channel Interfaces

The following channel interfaces (CIs) define the bit rates that are available for a High Capacity channel:

CI	Bit Rate
DS-15	1.544 Mbps (DS1)
DS-31	3.152 Mbps (DS1C)
DS-44	44.736 Mbps (DS3)

Compatible channel interfaces are set forth in Technical Reference Publication GR-342.

D. Optional Features and Functions

1. Automatic Loop Transfer

The Automatic Loop Transfer provides protection on a 1XN basis against failure of the facilities between a customer designated premises and the wire center serving that premises. Protection is furnished through the use of a switching arrangement that automatically switches to a spare channel when a working channel fails. Spare channel priority is given to the lowest numbered slot based upon slot position. Slot position number one is given highest priority. The spare channel is not included as a part of the option. This option requires compatible equipment at both the serving wire center and the customer premises. The customer is responsible for providing the equipment at its premises. This feature is not available with 1.544 Mbps channels having the B8ZS line code.

Tariff Page revised 6/5/2006 to reflect company name change from Sprint to Embarq.



ACCESS SERVICE TARIFF

Embarq Florida, Inc. d/b/a CenturyLink  
By: Chantel Miller, Director

Third Revised Page 28  
Cancels Second Revised Page 28

Effective: November 1, 2021

E7. DEDICATED ACCESS SERVICES

E7.2 Service Description (Cont'd)

E7.2.4 High Capacity Service (Cont'd)

D. Optional Features and Functions (Cont'd)

2. Central Office Multiplexing (Cont'd)

a. DS3 to DS1

An arrangement that converts a 44.736 Mbps channel to 28 DS1 channels using digital time division multiplexing.

b. DS1C to DS1

An arrangement that converts a 3.152 Mbps channel to two DS1 channels using digital time division multiplexing.

c. **DS1 to Voice** <sup>[1]</sup>

(C)

An arrangement that converts a 1.544 Mbps channel to 24 channels for use with Voice Grade Services. A channel of this DS1 to the Hub can also be used for a Digital Data Service.

<sup>[1]</sup> **Effective November 1, 2021 Voice Grade, Digital Data and Fractional DS1 Services are grandfathered. Availability to current customers is limited to circuits in service at existing locations.**

(N)  
|  
(N)

ACCESS SERVICE TARIFF

Embarq Florida, Inc. d/b/a CenturyLink  
By: Chantel Miller, Director

Third Revised Page 29  
Cancels Second Revised Page 29

Effective: November 1, 2021

E7. DEDICATED ACCESS SERVICES

E7.2 Service Description (Cont'd)

E7.2.4 High Capacity Service (Cont'd)

D. Optional Features and Functions (Cont'd)

2. Central Office Multiplexing (Cont'd)

f. **DS1 to DS0** <sup>[1]</sup>

(C)

An arrangement that converts a 1.544 Mbps channel to 24 64.0 Kbps channels utilizing digital time division multiplexing.

3. Clear Channel Capability

- a. Clear Channel Capability (CCC) is an arrangement that alters a DS1/1.544 Mbps signal with unconstrained information bits, to meet pulse density requirements outlined in TR-NPL-000054 and TA-TSY-000342. This will allow a customer to transport an all zero octet over a DS1/1.544 Mbps High Capacity channel, providing an available combined maximum 1.536 Mbps data rate. This arrangement requires the customer signal at the channel interface to conform to Bipolar with 8 Zero Substitution (B8ZS) line code as described in TR-NPL-000054 and TR-NPL-000342.
- b. CCC is provided on DS1/1.544 Mbps High Capacity channels between two customer designated premises, or between a customer designated premises and a Company Hub location, and is subject to the availability of facilities. This optional feature may be ordered at the same time the DS1/1.544 Mbps High Capacity channel is ordered, or it may be ordered as an additional feature of an existing channel.

<sup>[1]</sup> **Effective November 1, 2021 Voice Grade, Digital Data and Fractional DS1 Services are grandfathered. Availability to current customers is limited to circuits in service at existing locations.**

(N)  
|  
(N)

ACCESS SERVICE TARIFF

Embarq Florida, Inc.  
By: F. B. Poag, Director

Fourth Revised Page 30  
Cancels Third Revised Page 30

Effective: January 2, 2002

E7. DEDICATED ACCESS SERVICES

E7.2 Service Description (Cont'd)

E7.2.4 High Capacity Service (Cont'd)

D. Optional Features and Functions (Cont'd)

The following table shows the technical specifications packages with which the optional features and functions are available.

Available With Technical Specifications Package HC-

	<u>0</u>	<u>1</u>	<u>1C</u>	<u>2</u>	<u>3</u>	<u>4</u>
Automatic Loop Transfer Central Office Multiplexing:		X				
DS3 to DS1						X
DS1C to DS1			X			
DS1 to Voice	X					
DS1 to DSO		X				
Clear Channel Capability		X				X

Tariff Page revised 6/5/2006 to reflect company name change from Sprint to Embarq.

ACCESS SERVICE TARIFF

Embarq Florida, Inc.  
BY: F. B. Poag, Director

Second Revised Page 31  
Cancels First Revised Page 31

Effective: January 7, 2000

E7. DEDICATED ACCESS SERVICES

E7.3 Channel Interface and Network Channel Codes

This section explains the Channel Interface codes and Network Channel codes that the customer must specify when ordering Dedicated Access Service. Included is an example which explains the specific characters of the code, a glossary of Channel Interface codes, impedance levels, and Network Channel codes. Compatible Channel Interface codes are contained in the services respective Technical Reference Publications as indicated in E7.2.

Example: If the customer specifies a LB Network Channel Code and a 2LC8 Channel Interface at the customer's premises, the following is being requested:

LB = Voice Grade Channel with a Predefined Technical Specification Package (1)  
2 = Number of physical wires at a customer premises  
LC = Facility interface for Type C Signaling  
8 = Variable impedance level

E7.3.1 Glossary of Channel Interface Codes and Options

Code-Option Definition

AB - Accepts 20 Hz ringing signal at customer's point of termination  
AC - Accepts 20 Hz ringing signal at the customer's point of termination  
CT - Centrex Tie Trunk Termination  
DA - Data stream in VF frequency band at customer's point of termination  
DB - Data stream in VF frequency band at customer's point of termination

## ACCESS SERVICE TARIFF

Embarq Florida, Inc.  
By: F. B. Poag, Director

Third Revised Page 32  
Cancels Second Revised Page 32

Effective: January 2, 2002

### E7. DEDICATED ACCESS SERVICES

#### E7.3 Channel Interface and Network Channel Codes (Cont'd)

##### E7.3.1 Glossary of Channel Interface Codes and Options (Cont'd)

Code-Option	Definition
DS	- Digital hierarchy interface
- 1K	1.544 Mbps (DS1) ANSI Extended Superframe (ESF) format per TA-TSY-000342
- 1S	1.544 Mbps (DS1) ANSI Extended Superframe (ESF) format and B8ZS Clear Channel Capability per TA-TSY-000342
- 15	1.544 Mbps (DS1) Superframe (SF) format per TA-TSY-000342
- 15B	1.544 Mbps (DS1) Superframe (SF) format and B8ZS Clear Channel Capability per TA-TSY-000342
- 15E	8-bit PCM encoded in one 64 Kbps of the DS1 signal
- 15F	8-bit PCM encoded in two 64 Kbps of the DS1 signal
- 15G	8-bit PCM encoded in three 64 Kbps of the DS1 signal
- 15H	14/11-bit PCM encoded in six 64 Kbps of the DS1 signal
- 15J	1.544 Mbps format per PUB 41451 (only available to U. S. Govt. agencies)
- 15S	1.544 Mbps using B8ZS line code and extended framing format
- 31	3.152 Mbps (DS1C)
- 31L	3.152 Mbps (DS1C) with SF signaling
- 44	44.736 Mbps (DS3)
- 44L	44.736 Mbps (DS3) with SF signaling
DU	- Digital access interface
- 19(S) <sup>1</sup>	19.2 Kbps
- 24(S) <sup>1</sup>	2.4 Kbps
- 48(S) <sup>1</sup>	4.8 Kbps
- 56(S) <sup>1</sup>	56.0 Kbps
- 64	64.0 Kbps
- 96(S) <sup>1</sup>	9.6 Kbps
- 1KN	DS1 (1.544 Mbps) ANSI Extended Superframe (ESF) format per TR-NPL-000054 without line power
- 1SN	DS1 (1.544 Mbps) ANSI Extended Superframe (ESF) format per TR-NPL-000054, with B8ZS Clear Channel Capability and without line power
- A	DS1 (1.544 Mbps) free-framing format per PUB 41451 with line power (only available to U. S. Govt. agencies)
- A	DS1 (1.544 Mbps) free-framing format per PUB 41451 without line power (only available to U. S. Govt. agencies)

Note<sup>1</sup>: (S) is an additional BellSouth designation for use when the optional Secondary Channel feature is required.

Tariff Page revised 6/5/2006 to reflect company name change from Sprint to Embarq.

## ACCESS SERVICE TARIFF

Embarq Florida, Inc.  
By: F. B. Poag, Director

Second Revised Page 33  
Cancels First Revised Page 33

Effective: December 21, 2000

### E7. DEDICATED ACCESS SERVICES

#### E7.3 Channel Interface and Network Channel Codes (Cont'd)

##### E7.3.1 Glossary of Channel Interface Codes and Options (Cont'd)

Code-Option	Definition
DU -	Digital access interface (Cont'd)
- D	1.544 Mbps format plus D4 with B8ZS clear channel capability
- S	1.544 Mbps using B8ZS line code and extended framing format
- BN	DS1 (1.544 Mbps) Superframe (SF) format per TR-NPL-000054, without line power
- DN	DS1 (1.544 Mbps) Superframe (SF) format per TR-NPL-000054, with B8ZS Clear Channel Capability and without line power
D -	Duplex signaling interface at customer's point of termination
EA - E	Type I, E&M Lead Signaling. Customer at POT or end user at POT originates on E Lead.
EA - M	Type I, E&M Lead Signaling. Customer at POT or end user at POT originated on M Lead.
EB - E	Type II, E&M Lead Signaling. Customer at POT or end user at POT originated on E Lead.
EB - M	Type II E&M Lead Signaling. Customer at POT or customer's end user at POT originates on M Lead.
EC -	Type III, E&M signaling at customer POT.
EX - A	Tandem channel unit signaling for loop start or ground start and customer supplies open end (dial tone, etc.) functions.
	B Tandem channel unit signaling for loop start or ground start and customer supplies closed end (dial pulsing, etc.) functions.
GO -	Ground start loop signaling - open end function by customer or customer's end user.
GS -	Ground start loop signaling - closed end function by customer or customer's end user.
- C	Centrex foreign exchange termination
- M	For terminating in central office located answering service concentrator
LA -	End user loop start loop signaling - Type A OPS registered port open end
LB -	End user loop start loop signaling - Type B OPS registered port open end
LC -	End user loop start loop signaling - Type C OPS registered port open end
LO -	Loop start loop signaling - open end function by customer or customer's end user
LR -	20 Hz automatic ringdown interface at customer with Company provided PLAR

Tariff Page revised 6/5/2006 to reflect company name change from Sprint to Embarq.

ACCESS SERVICE TARIFF

Embarq Florida, Inc.  
BY: F. B. Poag, Director

Second Revised Page 34  
Cancels First Revised Page 34

Effective: January 7, 2000

E7. DEDICATED ACCESS SERVICES

E7.3 Channel Interface and Network Channel Codes (Cont'd)

E7.3.1 Glossary of Channel Interface Codes and Options (Cont'd)

Code-Option Definition

- LS - Loop start loop signaling - closed end function by customer or customer's end user
  - M For terminating in central office located answering service concentrator
- NO - No signaling interface, transmission only
- PR - Protective relaying<sup>1</sup>
- RV - O Reverse battery signaling, one way operation, originate by customer
  - T Reverse battery signaling, one way operation, terminate function by customer or customer's end user
- SF - Single frequency signaling within VF band at either customer POT or customer's end user POT
- TF - Telephotograph interface
- TT - Teletypewriter interface at either customer POT or customer's end user POT
  - 2 20.0 milliamperes
  - 3 3.0 milliamperes
  - 6 62.5 milliamperes

Note<sup>1</sup>: Available only for the transmission of audio tone protective relaying signals used in the protection of electric power systems during fault conditions.

Tariff Page revised 6/5/2006 to reflect company name change from Sprint to Embarq.

ACCESS SERVICE TARIFF

Embarq Florida, Inc.  
By: F. B. Poag, Director

Second Revised Page 35  
Cancels First Revised Page 35

Effective: January 2, 2002

E7. DEDICATED ACCESS SERVICES

E7.3 Channel Interface and Network Channel Codes (Cont'd)

E7.3.2 Impedance

The normal reference impedance with which the channel will be terminated for the purpose of evaluating transmission performance:

Value (ohms)	Code(s)
110	0
150	1
600	2
900	31
135	5
75	6
124	7
Variable	8
100	9

E7.3.3 Digital Hierarchy Channel Interface Codes (4DS)

Customers selecting the multiplexed four-wire DS-1 or higher facility interface option at the customer designated premises will be requested to provide subsequent system and channel assignment data. The various digital bit rates in the digital hierarchy employ the channel interface code 4DS9, 4DS0 or 4DS6 plus the speed options indicated following:

Interface Code and Speed Option	Nominal Bit Rate (Mbps)	Digital Hierarchy Level
4DS9-15	1.544	DS1
4DS9-31	3.152	DS1C
4DS6-44	44.736	DS3

Note<sup>1</sup>: For those interface codes with a 4-wire transmission path at the customer's designated POT, rather than a standard 900 ohm impedance, the code (3) denotes a customer provided transmission equipment termination. Such terminations were provided to customers in accordance with the FCC Docket No. 20099 Settlement Agreement.

Tariff Page revised 6/5/2006 to reflect company name change from Sprint to Embarq.



## ACCESS SERVICE TARIFF

Embarq Florida, Inc.  
 BY: F. B. Poag, Director

Second Revised Page 36  
 Cancels First Revised Page 36

Effective: January 7, 2000

## E7. DEDICATED ACCESS SERVICES

## E7.3 Channel Interface and Network Channel Codes (Cont'd)

## E7.3.4 Service Designator/Network Channel Code Conversion Table

The purpose of this table is to show the relationship between the service designator codes (e.g., VG2, DA1, etc.) and the network channel codes that are used for various administration purposes.

<u>Service Designator Code</u>	<u>Network Channel Code</u>
VG1	LB
VG2	LC
VG3	LD
VG4	LE
VG5	LF
VG6	LG
VG7	LH
VG8	LJ
VG9	LK
VG10	LN
VG11	LP
VG12	LR
DA1	XA
DA2	XB
DA3	XG
DA4	XH
DA5	XE
DA6	YN
HC0	HS
HC1	HC
HC1C	HD
HC2	HE
HC3	HF
HC4	HG
HC14T	HK-A
HC16T	HK-B

Tariff Page revised 6/5/2006 to reflect company name change from Sprint to Embarq.

ACCESS SERVICE TARIFF

Embarq Florida, Inc.  
By: F. B. Poag, Director

Second Revised Page 37  
Cancels First Revised Page 37

Effective: June 6, 2000

E7. DEDICATED ACCESS SERVICES

E7.4 Rate Regulations

This section contains the specific regulations governing the rates and charges that apply for Dedicated Access Service.

E7.4.1 Types of Rates and Charges

There are two types of rates and charges. These are monthly rates and nonrecurring charges. The rates and charges are described as follows:

A. Monthly Rates

Monthly rates are flat recurring charges that apply each month or fraction thereof that a Dedicated Access Service is provided. Minimum periods are specified in E5.2.4.

ACCESS SERVICE TARIFF

Embarq Florida, Inc.  
By: F. B. Poag, Director

Third Revised Page 38  
Cancels Second Revised Page 38

Effective: June 6, 2000

E7. DEDICATED ACCESS SERVICES

E7.4 Rate Regulations (Cont'd)

E7.4.1 Types of Rates and Charges (Cont'd)

A. Monthly Rates (Cont'd)

Tariff Page revised 6/5/2006 to reflect company name change from Sprint to Embarq.

ACCESS SERVICE TARIFF

Embarq Florida, Inc.  
By: F. B. Poag, Director

Third Revised Page 39  
Cancels Second Revised Page 39

Effective: June 6, 2000

E7. DEDICATED ACCESS SERVICES

E7.4 Rate Regulations (Cont'd)

E7.4.1 Types of Rates and Charges (Cont'd)

A. Monthly Rates (Cont'd)

Tariff Page revised 6/5/2006 to reflect company name change from Sprint to Embarq.

ACCESS SERVICE TARIFF

Embarq Florida, Inc.  
By: F. B. Poag, Director

Second Revised Page 40  
Cancels First Revised Page 40

Effective: June 11, 1999

E7. DEDICATED ACCESS SERVICES

E7.4 Rate Regulations (Cont'd)

E7.4.1 Types of Rates and Charges (Cont'd)

B. Nonrecurring Charges

Nonrecurring charges are one-time charges that apply for specific work activity (i.e., installation or change to an existing service). The types of nonrecurring charges that apply for Dedicated Access Service are: installation of service, installation of optional features and function, and service rearrangements.

1. Installation of Service

a. Local Channels

Nonrecurring charges apply to each Local Channel on each Dedicated Access Service installed.

When a Voice Grade or Digital Data service or applicable Optional Feature and Function is ordered and installed, it is billed at the Second Service Installed rate. When more than one of the same type of service, between the same locations, for the same customer is ordered and installed at the same time, one at each location is billed at the Second Service Installed Rate and the others are billed at the Additional Service Installed rate. If additional services are installed at a later date, then the Second Service Installed rate and the Additional Service rate would apply to those services regardless of what service already existed.

High Capacity Services such as DS1 (1.544 Mbps) or DS3 44.736 Mbps) are subject to a nonrecurring charge. The nonrecurring charge applies per point of termination.

ACCESS SERVICE TARIFF

Embarq Florida, Inc.  
By: F. B. Poag, Director

Third Revised Page 41  
Cancels Second Revised Page 41

Effective: January 2, 2002

E7. DEDICATED ACCESS SERVICES

E7.4 Rate Regulations (Cont'd)

E7.4.1 Types of Rates and Charges (Cont'd)

B. Nonrecurring Charges (Cont'd)

2. Installation of Optional Features and Functions

Nonrecurring charges apply for the installation of some of the optional features and functions available with Dedicated Access Service.

An Initial nonrecurring charge may apply to Digital Data and Voice Grade services, if the feature or function is installed coincident with the primary service. The subsequent nonrecurring charge applies if the feature or function is installed after the installation of the primary service.

One nonrecurring charge is applicable to bridging. One nonrecurring charge is applicable to multiplexing for DS1 and DS3 service.

The nonrecurring charges for the installation of optional features and functions are set forth in E7.5 following as nonrecurring charges for optional features and functions associated with the specific services.

ACCESS SERVICE TARIFF

Embarq Florida, Inc.  
By: F. B. Poag, Director

First Revised Page 42  
Cancels Original Page 42

Effective: January 1, 1997

E7. DEDICATED ACCESS SERVICES

E7.4 Rate Regulations (Cont'd)

E7.4.1 Types of Rates and Charges (Cont'd)

B. Nonrecurring Charges (Cont'd)

3. Service Rearrangements

Service rearrangements are changes to existing (installed) services which do not result in either a change in the minimum period requirements as set forth in E5.2.4. or a change in the physical location of the point of the termination at a customer designated premises. Changes which result in the establishment of new minimum period obligations are treated as disconnects and starts. Changes in the physical location of the point of the termination are treated as moves and are described and charged for as set forth in E7.4.4. following.

The charge to the customer for the service rearrangement is dependent on whether the change is administrative only in nature or involves actual physical change to the service.

Administrative changes will be made without charge(s) to the customer. Such changes require the continued provision and billing of the Access Service to the same entity (i.e., customer remains responsible for all outstanding indebtedness for the Access Service). Administrative changes are as follows:

ACCESS SERVICE TARIFF

Embarq Florida, Inc.  
By: F. B. Poag, Director

First Revised Page 43  
Cancels Original Page 43

Effective: January 1, 1997

E7. DEDICATED ACCESS SERVICES

E7.4 Rate Regulations (Cont'd)

E7.4.1 Types of Rates and Charges (Cont'd)

B. Nonrecurring Charges (Cont'd)

3. Service Rearrangements (Cont'd)

- Change of customer name (i.e., the customer of record does not change but rather the customer of record changes its name -- e.g., AT&T-Long Lines to AT&T-Communications),
- Change of customer or customer's end user premises address when the change of address is not a result of a physical relocation of equipment,
- Change in billing data (name, address, or contact name or telephone number),
- Change of customer circuit identification,
- Change of billing account number,
- Change of customer test line number,
- Change of customer or customer's end user contact name or telephone number, and
- Change of jurisdiction.

Tariff Page revised 6/5/2006 to reflect company name change from Sprint to Embarq.



ACCESS SERVICE TARIFF

Embarq Florida, Inc.  
By: F. B. Poag, Director

First Revised Page 44  
Cancels Original Page 44

Effective: January 1, 1997

E7. DEDICATED ACCESS SERVICES

E7.4 Rate Regulations (Cont'd)

E7.4.1 Types of Rates and Charges (Cont'd)

B. Nonrecurring Charges (Cont'd)

3. Service Rearrangements (Cont'd)

All other service rearrangements will be charged for as follows:

- If the change involves the addition of other customer designated premises to an existing multipoint service, the nonrecurring charge for the Local Channel rate element will apply. The charge(s) will apply only for the location(s) that is being added.
- If the change involves the addition of an optional feature or function which has a separate nonrecurring charge, that nonrecurring charge will apply.
- If the change involves changing the type of signaling on a Voice Grade service, a charge equal to the Voice Grade Local Channel rate element nonrecurring charge will apply. The charge will apply per service termination affected.
- For all other changes, including a change of the customer of record involving no physical changes to the service provided or the addition of optional features without separate nonrecurring charges, a charge equal to a Local Channel rate element nonrecurring charge will apply. Only one such charge will apply per service, per change.

Tariff Page revised 6/5/2006 to reflect company name change from Sprint to Embarq.

ACCESS SERVICE TARIFF

Embarq Florida, Inc.  
By: F. B. Poag, Director

First Revised Page 45  
Cancels Original Page 45

Effective: January 1, 1997

E7. DEDICATED ACCESS SERVICES

E7.4 Rate Regulations (Cont'd)

E7.4.2 Dedicated Access Services Capable of Using the Local Exchange Network

A. General

When a Dedicated Access Line, intraLATA interexchange private line or Private Bypass facility is connected to a device capable of interconnecting the Dedicated Access line, intraLATA interexchange private line or Private Bypass facility to the Local Exchange Network, the Exchange Service Rate associated with that device (e.g., the PBX trunk in the case of a PBX) will be rated as Message or Measured Service as specified in the Local Exchange Company's General Subscriber Service Tariff.

B. Application of Measured or Message Service

Application of Measured or Message exchange service charges for services existing on the effective date of this tariff will commence March 16, 1986, unless the certification process described in C. following is met on or before February 8, 1986. For new Dedicated Access service, intraLATA interexchange private line or Private Bypass facilities ordered on or after the effective date of this tariff and terminating for an end user at the same address at which a PBX trunk or other similar exchange service is also provided, that exchange service will automatically be rated on a Measured or Message basis unless the certification process described in C. following is met. Measured or Message service rates will be applied at the discretion of the Local Exchange Company for exchange services not certified by the process described in C., following.

Tariff Page revised 6/5/2006 to reflect company name change from Sprint to Embarq.

ACCESS SERVICE TARIFF

Embarq Florida, Inc.  
By: F. B. Poag, Director

First Revised Page 46  
Cancels Original Page 46

Effective: January 1, 1997

E7. DEDICATED ACCESS SERVICES

E7.4 Rate Regulations (Cont'd)

E7.4.2 Dedicated Access Services Capable of Using the Local Exchange Network (Cont'd)

C. Certification Process

The certification will be in the form of a written notification to the Company certifying that calls are not completed into the Local Exchange Network over the Dedicated Access line, intraLATA interexchange private line or Bypass Facility. The notification may be provided (1) on or before February 8, 1986, for service existing on the effective date, (2) at the time new service is ordered or (3) at such time the Dedicated Access service, intraLATA interexchange private line or Bypass Facility is reterminated to a device not capable of interconnecting to the local exchange network. If a written certification is not received at the time an order for service is placed, message/measured exchange service will apply. Exempt status will become effective on the date certification is received by the Company.

D. Change of Status

The Company will cease billing message/measured exchange service rates when certification that the service has become exempt as set forth in C., preceding is received.

Tariff Page revised 6/5/2006 to reflect company name change from Sprint to Embarq.

ACCESS SERVICE TARIFF

Embarq Florida, Inc.  
By: F. B. Poag, Director

First Revised Page 47  
Cancels Original Page 47

Effective: January 1, 1997

E7. DEDICATED ACCESS SERVICES

E7.4 Rate Regulations (Cont'd)

E7.4.3 Minimum Periods

The minimum service periods are specified in E5.2.4.

The minimum service period for High Capacity ICB Services is specified in the Individual Case Basis Filing.

E7.4.4 Moves

A move involves a change in the physical location of one of the following:

- The Point of Termination at the customer's premises
- The customer's premises

The charges for the move are dependent on whether the move is to a new location within the same building or to a different building.

A. Moves Within the Same Building

When the move is to a new location within the same building, the charge for the move will be an amount equal to one half of the nonrecurring (i.e., installation) charge for the service termination affected. There will be no change in the minimum period requirements.

B. Moves to a Different Building

Moves to a different building will be treated as a discontinuance and start of service and all associated nonrecurring charges will apply. New minimum period requirements will be established for the new services. The customer will also remain responsible for satisfying all outstanding minimum period charges for the

ACCESS SERVICE TARIFF

Embarq Florida, Inc.  
By: F. B. Poag, Director

First Revised Page 48  
Cancels Original Page 48

Effective: January 1, 1997

E7. DEDICATED ACCESS SERVICES

E7.4 Rate Regulations (Cont'd)

E7.4.5 Mileage Measurement

The mileage to be used to determine the monthly rate for the Interoffice Channel is calculated on the airline distance between the locations involved, i.e., the serving wire centers associated with two customer designated premises, a serving wire center associated with a customer designated premises and a Company Hub, and a serving wire center associated with a customer designated premises, or two Company Hubs. The serving wire center associated with a customer designated premises is the serving wire center from which the customer designated premises would normally obtain dial tone.

Mileage is shown in E7.5 following in terms of mileage bands. To determine the rate to be billed, first compute the mileage using the V&H coordinates method, as set forth in the Exchange Carrier Association Tariff F.C.C. No. 4, then find the band into which the computed mileage falls and apply the rates shown for that band. When the calculation results in a fraction of a mile, always round up to the next whole mile before determining the mileage band and applying the rates.

When Hubs are involved, mileage is computed and rates applied separately for each section of the Interoffice Channel, i.e., customer designated premises serving wire center to Hub, Hub to Hub and/or Hub or customer designated premises serving wire center. However, when any service is routed through a Hub for purposes other than customer specified bridging or multiplexing (e.g., the Company chooses to so route for test access purposes), rates will be applied only to the distance calculated between the serving wire centers associated with the customer designated premises.

For the purpose of applying multipoint charges, the bridging or hubbing locations are determined by that combination of airline distances connecting the serving wire center which will produce the lowest interoffice mileage charges.

## ACCESS SERVICE TARIFF

Embarq Florida, Inc.  
By: F. B. Poag, Director

Second Revised Page 49  
Cancels First Revised Page 49

Effective: January 2, 2002

### E7. DEDICATED ACCESS SERVICES

#### E7.4 Rate Regulations (Cont'd)

##### E7.4.6 Facility Hubs

A customer has the option of ordering digital high capacity facilities (i.e., DS1, DS1C, DS3) to a facility Hub for channelizing to individual services requiring lower capacity facilities (e.g., Voice, etc.).

Different locations may be designated as Hubs for different facility capacities, e.g., multiplexing from digital to digital may occur at one location while multiplexing from digital to analog may occur at a different location. When ordering, the customer will specify the desired multiplexing Hub(s) selected from the Exchange Carrier Association, Inc. Tariff F.C.C. No. 4. This tariff identifies the type(s) of multiplexing function which are available and the serving wire centers at which they are available.

Some of the types of multiplexing available include the following:

- from higher to lower bit rate
- from digital to voice frequency channels

End to end services may be provided on channels of these facilities to a hub. The transmission performance for the end to end service provided between customer designated premises will be that of the lower capacity or bit rate. For example, when a 1.544 Mbps facility is multiplexed to voice frequency channels, the transmission performance of the channelized services will be Voice Grade, not High Capacity.

Tariff Page revised 6/5/2006 to reflect company name change from Sprint to Embarq.

ACCESS SERVICE TARIFF

Embarq Florida, Inc.  
By: F. B. Poag, Director

First Revised Page 50  
Cancels Original Page 50

Effective: January 1, 1997

E7. DEDICATED ACCESS SERVICES

E7.4 Rate Regulations (Cont'd)

E7.4.6 Facility Hubs (Cont'd)

The Company will commence billing the monthly rate for the facility to the Hub on the date specified by the customer on the service order. Individual services utilizing these facilities may be installed coincident with the installation of the facility to the Hub or may be ordered and/or installed at a later date, at the option of the customer. The customer will be billed for a digital Local Channel, Interoffice Channel (when applicable) and the multiplexer at the time the facility is installed. Individual service rates (by service type) will apply for a Local Channel and additional Interoffice Channel (as required) for each channelized service. These will be billed to the customer as each individual service is installed.

Cascading multiplexing occurs when a digital channel is demultiplexed to provide channels with a lesser capacity and one of the lesser capacity channels is further demultiplexed. For example, a High Capacity facility is demultiplexed to individual Voice Grade channels.

When cascading multiplexing is performed, whether in the same or different Hub, a charge for the additional multiplexing unit also applies. When cascading multiplexing is performed at different Hubbing locations, Interoffice Channel charges also apply between the Hubs.

ACCESS SERVICE TARIFF

Embarq Florida, Inc.  
BY: F. B. Poag, Director

Second Revised Page 51  
Cancels First Revised Page 51

Effective: January 7, 2000

E7. DEDICATED ACCESS SERVICES

E7.4 Rate Regulations (Cont'd)

E.7.4.7 Shared Use of Digital High Capacity Service

Shared use occurs when Dedicated Access Service and Switched Access Service are provided over the same High Capacity facilities through a common interface. The facility will be ordered, provided and rated as Dedicated Access Service (i.e., Service Termination, Channel Mileage, as appropriate, and Multiplexer). The nonrecurring charge that applies when the shared use facility is installed will be the nonrecurring charge associated with the appropriate Dedicated Access High Capacity Service termination. Individual service (i.e., Switched or Dedicated Access) nonrecurring charges will not apply to the individual channels of the shared use facility. Rating as Dedicated Access will continue until such time as the customer chooses to use a portion of the available capacity for providing Switched Access Service. As each individual channel is activated for Switched Access Service, the Dedicated Access Service Termination, Channel Mileage, and Multiplexer rates will be reduced accordingly (e.g., 1/24th for a DS1 Service, and 1/672nd for DS3 Service, etc.) The customer must place an order for each individual Switched or Dedicated Access Service utilizing the Shared Use Facilities and specify the channel assignment for each such service.

Switched Access Service rates and charges as set forth in E6.8 preceding will apply for each channel of the shared use facility that is used to provide Switched Access Service. As each individual channel is activated for Switched Access Service, the Switched Transport Entrance Facility, Multiplexer, Direct-Trunked Transport and Tandem-Switched Transport rates will be charged accordingly (e.g. 1/24th for a DS1 Service and 1/672nd for DS3 Service). Where Dedicated Access Service is provided utilizing a channel of the shared facility to the Hub, High Capacity rates and charges will apply for the facility to the Hub as set forth preceding and individual service rates and charges will apply from the Hub to the Customer designated premises. The rates and charges that will apply to the portion from the Hub to the customer designated premises will be dependent on the specific type of Dedicated Access Service that is provided (e.g., Voice Grade, Digital Data, etc.). The applicable rates and charges will include a Service Termination and Channel Mileage, if applicable. Rates and charges for optional features and functions, associated with the service, if any, will apply as set forth in E7.5 following.

Tariff Page revised 6/5/2006 to reflect company name change from Sprint to Embarq.



ACCESS SERVICE TARIFF

Embarq Florida, Inc. d/b/a CenturyLink  
 By: **Christy V. Londerholm**, Director

Fifth Revised Page 52  
 Cancels Fourth Revised Page 52  
 Effective: August 20, 2017

(T)

E7. DEDICATED ACCESS SERVICES

E7.4 Rate Regulations (Cont'd)

E7.4.8 Zone Density Plan

The Zone Density Plan is applicable to 1.544 Mbps (DS1) and 44.736 Mbps (DS3) high capacity services as set forth in E7.2.4 preceding.

The channel termination and channel mileage (fixed and per mile) rates applicable for high capacity services subject to the Zone Density Plan are dependent upon the zone in which the Company serving wire center is located. Channel mileage provided between wire centers in different zones will be assessed the rate for the higher zone. Specific Zone Density Charges are set forth in E7.5 following. The zones and associated Common Language Location Identifier (CLLI) code for each Company service wire center are identified following:

<u>Zone 1</u>	<u>CLLI</u>
Altamonte Springs – <b>Winter Park</b>	ALSPFLXADS0
Avon Park	AVPKFLXADS0
Kissimmee	KSSMFLXADS0
Maitland – <b>Winter Park</b>	MTLDFLXADS1
South Fort Myers – <b>Fort Myers</b>	FTMYFLXCDS2
Winter Park	WNPKFLXADS1
<u>Zone 2</u>	<u>CLLI</u>
Apopka	APPKFLXADS1
Cape Coral	CPCRFLXADS0
Cypress Lake	CYLKFLXADS0
Destin	DESTFLXADS0
Fort Myers	FTMYFLXADS0
Fort Walton Beach	FTWBFLXADS0
Goldenrod – <b>Winter Park</b>	GLRDFLXADS0
Lake Brantley – <b>Winter Park</b>	LKBRFLXADS1
Leesburg	LSBGFLXADS1
Naples Moorings	NPLSFLXDDS0
North Naples	NNPLFLXADS1
Ocala	OCALFLXADS0
Port Charlotte	PTCTFLXADS0
Shady Road	OCALFLXBDS0
Tallahassee	TLHSFLXADS0
Tallahassee	TLHSFLXADS1
Tallahassee	TLHSFLXBDS0
Tallahassee	TLHSFLXCDS0
Tallahassee	TLHSFLXDDS0
Tallahassee	TLHSFLXFDS0
West Kissimmee	KSSMFLXBDS1
Winter Garden	WNGRFLXADS0
<u>Zone 3</u>	<u>CLLI</u>
All Others	All Others

(C)

(C)

ACCESS SERVICE TARIFF

Embarq Florida, Inc. d/b/a CenturyLink  
By: Chantel Miller, Director

Fourth Revised Page 52.1  
Cancels Third Revised Page 52.1

Effective: November 1, 2021

E7. DEDICATED ACCESS SERVICES

E7.4 Rate Regulations (Cont'd)

E7.4.9 Term Discount Plan <sup>[1]</sup>

(C)

A) General

The Special Access Term Discount Plan (TDP) applies to Special Access Digital Data Services (56.0 and 64.0 Kbps), High Capacity DS1 (1.544Mbps) and DS3 (44.736 Mbps) services, DS3 to DS1 and DS1 to DS0 Multiplexing. The TDP provides the customer with discounted rates for the services listed. The customer agrees to a minimum service commitment per service when the TDP is established. In order for a circuit to be eligible for TDP pricing, the customer must commit a channel termination and/or multiplexer associated with that circuit to a TDP. The commitment level for a circuit will be based on channel terminations and/or multiplexers. Customers may disconnect or move channel terminations and/or multiplexers within the state and not be subject to termination liability charges as long as the commitment levels are maintained.

B) Commitment Level

All eligible special access rate elements for a given circuit (channel termination, channel mileage termination (fixed), channel mileage facility (per mile) and multiplexing), must be ordered for the same commitment period with the same service date for the same customer. A customer establishes a TDP by committing all or a portion of their in-service channel terminations and/or multiplexers to a minimum term of 3 years up to a maximum term of 5 years. During the term of the selected TDP, the customer must maintain an in-service commitment threshold of not less than 90% or more than 130% of the committed channel terminations and/or multiplexers.

As long as a customer's actual in-service level of channel terminations and/or multiplexers remains within the commitment threshold, the customer will be billed the TDP rate for all eligible rate elements. Additionally, if a customer's in-service level exceeds the initial in-service level by no more than 30%, the customer will be billed the TDP rates for all eligible rate elements. For example, the customer has 200 DS1 channel terminations and/or multiplexers and elects to commit 150 channel terminations and/or multiplexers to a 3 year TDP. The customer will be billed TDP rates as long as the in-service level of the channel terminations and/or multiplexers is equal to or greater than 135 (90% minimum threshold) but not more than 195 (130% maximum threshold).

<sup>[1]</sup> Effective November 1, 2021 Voice Grade, Digital Data and Fractional DS1 Services are grandfathered. Availability to current customers is limited to circuits in service at existing locations. Customers will not be able to renew Digital Data Services within the term plan.

(N)  
|  
(N)

## ACCESS SERVICE TARIFF

Embarq Florida, Inc.  
By: F. B. Poag, Director

Fourth Revised Page 52.2  
Cancels Third Revised Page 52.2

Effective: November 29, 2002

### E7. DEDICATED ACCESS SERVICES

#### E7.4 Rate Regulations (Cont'd)

##### E7.4.9 Term Discount Plan (Cont'd)

##### B) Commitment Level (Cont'd)

If the customer's in-service request exceeds the initial service level by more than 30%, the customer will be billed the month-to-month rate for all facilities above the upper limit of the commitment threshold. If the customer's in-service level falls below the minimum commitment threshold, the customer will be billed termination liability charges for the number of terminations and/or multiplexers below the minimum commitment threshold, and the customer's commitment level will be decreased to 110 percent of the customer's current in-service level. For example, a customer whose minimum commitment threshold is 135 channel terminations and/or multiplexers (90% of 150), but only has 125 in-service, will be billed termination liability charges for 10 channel terminations and/or multiplexers and the customer's commitment level will be decreased to 138 (110% of 125).\*

Although the commitment level is based upon channel terminations and/or multiplexers, the following rate elements will receive TDP rates:

Channel Mileage Facility (per mile)  
Channel Mileage Termination (fixed)  
Channel Termination  
Multiplexing

##### C) Ordering Provisions

The customer must order a TDP in writing to the Telephone Company. A TDP may be ordered based on the following plan options.

3 year  
5 year

The customer must specify the plan and the length of the service commitment period and commitment level. The customer agrees to a minimum service commitment level per service in effect at one time. For example, a customer that has a specific 3 year plan in effect for DS1 service may not establish a second 3 year DS1 TDP for that area until the current TDP expires. Once a plan has been established and commitment levels are agreed upon, standard access ordering procedures will be followed.

When a customer converts to a TDP, no access order charges are applied toward facilities in-service at the time. If a customer moves from a month to month plan to a TDP, or upgrades from one TDP to another, no access order charges are applied.

\* Customers subscribing to special access term discount plans established or on order prior to November 29, 2002 may elect to discontinue service without incurring termination liability charges within 90 days of that date.

ACCESS SERVICE TARIFF

Embarq Florida, Inc.  
By: F. B. Poag, Director

Second Revised Page 52.3  
Cancels First Revised Page 52.3

Effective: June 6, 2000

E7. DEDICATED ACCESS SERVICES

E7.4 Rate Regulations (Cont'd)

E7.4.9 Term Discount Plan (Cont'd)

D) Service Rearrangements

When a circuit committed to a TDP is rearranged as set forth in 7.4.1(B)(3) preceding, the nonrecurring rearrangement charge associated with the month-to-month rates for that service will apply. Changes in the type of service or service termination are treated as disconnects and starts, and the nonrecurring installation charge associated with the month-to-month rates for that service will apply. Changes in the physical location of the point of termination are treated as moves, as described in 7.4.4 preceding, and will be assessed the nonrecurring charge associated with the month-to-month rates for that service.

E) 90 Day Review Period

No adjustments in monthly billing for a TDP, for being above or below the commitment threshold described in (B) preceding, will take place until 90 days after Telephone Company written notification to the customer that the commitment threshold has been exceeded or has not been met. This will ensure that customers will not be penalized for aberrations in channel termination and/or multiplexer counts caused by timing differentials in disconnection and installation.

Customer's bills will not be adjusted for being outside the threshold described in (B) preceding during the 90 day review period. Additionally, customers will continue to be billed the adjustments (following the 90 day review period) for being outside the described threshold until the commitment level is met or re-established. A new 90 day review period will be initiated if the customer's actual in-service level subsequently falls outside the described threshold.

F) Increasing the TDP Commitment Level

Customers may increase their commitment level at any time by notifying the Telephone Company in writing. An increase in the commitment level will not change the expiration date of the TDP.

When a commitment level is increased, the actual in-service channel termination and/or multiplexer level at the time of the increase will be used to calculate the new commitment threshold as described in (B) preceding.

Upon written notification to the Telephone Company, customers may elect to have all future channel terminations and/or multiplexers installed during a commitment period automatically placed on the designated TDP.

Tariff Page revised 6/5/2006 to reflect company name change from Sprint to Embarq.

ACCESS SERVICE TARIFF

Embarq Florida, Inc.  
By: F. B. Poag, Director

Second Revised Page 52.4  
Cancels First Revised page 52.4

Effective: June 6, 2000

E7. DEDICATED ACCESS SERVICES

E7.4 Rate Regulations (Cont'd)

E7.4.9 Term Discount Plan (Cont'd)

F) Increasing the TDP Commitment Level (Cont'd)

Customers may request, upon written notification to the Telephone Company, that the Telephone Company automatically increase the customer's TDP commitment level when the 130% commitment threshold, as set forth in 7.4.9(B) preceding, is exceeded. The adjusted commitment level will be the actual channel terminations and/or multiplexers in service under the TDP at the time the 130% threshold is exceeded. The expiration date of the customer's TDP will not be affected by this change.

The customer may rescind its request to automatically add future channel terminations and/or multiplexers, or to automatically increase its commitment level when the 130% threshold is exceeded, by notifying the Telephone Company in writing.

G) Decreasing the TDP Commitment Level and Termination Liabilities

Customers may only decrease their commitment level by paying termination liability charges on the number of channel terminations and/or multiplexers by which the commitment level is decreased. Termination liabilities will apply to applicable services covered by the TDP. For example, a customer has a commitment level of 150 channel terminations and/or multiplexers. The customer then decreases its commitment level to 125. The customer must pay a termination liability on the most recently disconnected 25 facilities, inclusive of all associated rate elements as listed in section E7.4.9 B.

If a customer disconnects any portion of their TDP service prior to the expiration of the commitment period, the customer will be billed 50% of the monthly TDP charges for the remaining portion of the committed term. For example, a customer disconnecting in the 12th month of a 3 year plan will be charged 50% of the remaining 24 months of billing.

H) Rate Changes

In this section, the term "rate" refers to the charges associated with the entire circuit covered by a TDP. Rate increases or decreases will automatically be applied to the monthly term plan rates for the remaining term of the TDP. If a Telephone Company initiated rate increase causes a customer's rates to increase by 10% or more at any one time, the customer may cancel the TDP without incurring termination liability charges.

Tariff Page revised 6/5/2006 to reflect company name change from Sprint to Embarq.

ACCESS SERVICE TARIFF

Embarq Florida, Inc.  
By: F. B. Poag, Director

Second Revised Page 52.5  
Cancels First Revised Page 52.5

Effective: June 6, 2000

E7. DEDICATED ACCESS SERVICES

E7.4 Rate Regulations (Cont'd)

E7.4.9 Term Discount Plan (Cont'd)

I) Extension of TDP Commitment Period

TDP commitment periods can be extended by the customer at any time during the term of the plan, up to a maximum of 5 years. The number of months accrued in the current plan will apply toward the new plan selected. For example, a customer having completed 15 months of a 3 year commitment can extend the commitment to 5 years and no additional charges will be assessed. The first payment will be considered the 16<sup>th</sup> payment under the new 5 year plan.

J) Upgrading a TDP Service

When a customer upgrades a digital data service being billed TDP rates to a DS1 service, the digital data TDP commitment level will be reduced at the customer's request (up to a maximum of 24) and no termination liability charge will apply. If the same customer has a TDP for DS1 service, the DS1 TDP commitment level will be increased if the customer requests that it be increased. When a customer upgrades a DS1 service being billed TDP rates to a DS3 service with the same termination points, the customer's DS1 TDP commitment level will be reduced at the customer's request (up to a maximum of 28) and no termination liability charge will apply.

K) Renewal of a TDP

At the end of the TDP service commitment period, the customer may subscribe to a new TDP at the prevailing rates set forth in Section E7.5.3 following. If the customer does not select a new TDP, the rates will convert to the prevailing month-to-month Digital Data, DS1 or DS3 rates. The customer will have a 90 day grace period to renew their TDP before the month-to-month rates will be assessed.

L) Cancellation Charges

When a customer cancels an order for special access services being provided under a TDP, cancellation charges, as set forth in 5.2.3 preceding, will be calculated using the nonrecurring charges associated with the month-to-month rates for the service being cancelled.

ACCESS SERVICE TARIFF

Embarq Florida, Inc. d/b/a CenturyLink  
By: Chantel Miller, Director

Third Revised Page 53  
Cancels Second Revised Page 53

Effective: November 1, 2021

E7.5 Rates and Charges

E7.5.1 **Voice Grade Service** <sup>[1]</sup>

(C)

A. Local Channel

1. Per Point of Termination

a. Voice Grade

	<u>Monthly Rate</u>	<u>Nonrecurring Charge</u>
(a) Two-Wire	\$22.95 (I)	\$270.00
(b) Four-Wire	\$34.50 (I)	275.00

<sup>[1]</sup> **Effective November 1, 2021 Voice Grade Services are grandfathered. Availability to current customers is limited to circuits in service at existing locations.**

(N)  
(N)

FL2021-12

ACCESS SERVICE TARIFF

Embarq Florida, Inc. d/b/a CenturyLink  
By: Chantel Miller, Director

Fourth Revised Page 54  
Cancels Third Revised Page 54

Effective: November 1, 2021

E7.5 Rates and Charges

E7.5.1 **Voice Grade Service** <sup>[1]</sup> (Cont'd)

(C)

B Interoffice Channel

<u>Fixed Monthly Charge</u>	<u>Monthly Charge Per Mile</u>
\$24.00	\$1.20

C. Optional Features and Functions

	<u>Monthly Rate</u>	<u>Nonrecurring Charge</u>
1. Bridging		
(a) Voice Bridging – Per Port		
- Two-Wire	\$3.95	\$34.00
- Four-Wire	3.95	34.00
(b) Data Bridging – Per Port		
- Two-Wire	\$6.70	\$37.00
- Four-Wire	6.70	37.00
(c) Telephoto Bridging – Per Port		
- Two-Wire	\$3.95	\$34.00
- Four-Wire	3.95	34.00

<sup>[1]</sup> **Effective November 1, 2021 Voice Grade Services are grandfathered. Availability to current customers is limited to circuits in service at existing locations.**

(N)  
(N)



ACCESS SERVICE TARIFF

Embarq Florida, Inc.  
By: F. B. Poag, Director

Third Revised Page 55  
Cancels Second Revised Page 55

Effective: August 29, 2000

E7. DEDICATED ACCESS SERVICES

E7.5 Rates and Charges (Cont'd)

E7.5.1 Voice Grade Service (Cont'd)

C. Optional Features and Functions (Cont'd)

1. Bridging - Per Port (Cont'd)<sup>1</sup>

Note<sup>1</sup>: See Section E107 for obsolete rates. These obsoleted services are limited to existing customers as of June 6, 2000. Customers may not make any changes, such as rearrangements or additions, to these existing services.

Tariff Page revised 6/5/2006 to reflect company name change from Sprint to Embarq.

ACCESS SERVICE TARIFF

Embarq Florida, Inc.  
By: F. B. Poag, Director

Third Revised Page 56  
Cancels Second Revised Page 56

Effective: August 29, 2000

E7. DEDICATED ACCESS SERVICES

E7.5 Rates and Charges (Cont'd)

E7.5.1 Voice Grade Service (Cont'd)

C. Optional Features and Functions (Cont'd)

1. Bridging - Per Port (Cont'd)<sup>1</sup>

Note<sup>1</sup>: See Section E107 for obsolete rates. These obsoleted services are limited to existing customers as of June 6, 2000. Customers may not make any changes, such as rearrangements or additions, to these existing services.

Tariff Page revised 6/5/2006 to reflect company name change from Sprint to Embarq.

ACCESS SERVICE TARIFF

Embarq Florida, Inc.  
By: F. B. Poag, Director

Third Revised Page 57  
Cancels Second Revised Page 57

Effective: August 29, 2000

E7. DEDICATED ACCESS SERVICES

E7.5 Rates and Charges (Cont'd)

E7.5.1 Voice Grade Service (Cont'd)

C. Optional Features and Functions (Cont'd)

1. Bridging - Per Port (Cont'd)<sup>1</sup>

Note<sup>1</sup>: See Section E107 for obsolete rates. These obsoleted services are limited to existing customers as of June 6, 2000. Customers may not make any changes, such as rearrangements or additions, to these existing services.

Tariff Page revised 6/5/2006 to reflect company name change from Sprint to Embarq.

ACCESS SERVICE TARIFF

Embarq Florida, Inc. d/b/a CenturyLink  
 By: Chantel Miller, Director

Fourth Revised Page 58  
 Cancels Third Revised Page 58

Effective: November 1, 2021

E7.5 Rates and Charges

E7.5.1 **Voice Grade Service** <sup>[1]</sup> (Cont'd)

(C)

C. Optional Features and Functions (Cont'd)

2. Conditioning, Per Point of Termination

	Monthly Rate	Nonrecurring Charge Initial	Subsequent
(a) C-Type	\$1.00	\$16.00	\$86.00
(b) Improved Attenuation Distortion	84.25	78.00	160.00
(c) Improved Envelope Delay Distortion	118.50	78.00	160.00
(d) Sealing Current	.35	34.00	95.00

3. Improved Return Loss

(a) Improved Return Loss at the Two-Wire Point of Termination	\$15.15	\$7.00	\$280.00
(b) Improved Return Loss at the Four-Wire Point of Termination	15.15	7.00	280.00

<sup>[1]</sup> **Effective November 1, 2021 Voice Grade Services are grandfathered. Availability to current customers is limited to circuits in service at existing locations.**

(N)  
 (N)

ACCESS SERVICE TARIFF

Embarq Florida, Inc. d/b/a CenturyLink  
 By: Chantel Miller, Director

Fourth Revised Page 59  
 Cancels Third Revised Page 59

Effective: November 1, 2021

E7.5 Rates and Charges (Cont'd)

E7.5.1 **Voice Grade Service** <sup>[1]</sup> (Cont'd)

(C)

C. Optional Features and Functions (Cont'd)<sup>1</sup>

	<u>Monthly Rate</u>	<u>Nonrecurring Charge</u>	
		<u>Initial</u>	<u>Subsequent</u>
4. Customer Specified Receive Level Per Two-Wire Point of Termination	\$16.65	\$4.00	\$72.00
5. DA-Type Conditioning – per Point of Termination	\$ .30	\$10.00	\$310.00
6. Telephoto Capability per Point of Termination	\$2.20	\$4.00	\$275.00
7. Improved Termination			
- Per Point of Termination	2.20	4.00	280.00

<sup>[1]</sup> **Effective November 1, 2021 Voice Grade Services are grandfathered. Availability to current customers is limited to circuits in service at existing locations.**

(N)  
 (N)

ACCESS SERVICE TARIFF

Embarq Florida, Inc. d/b/a CenturyLink  
By: Chantel Miller, Director

Fifth Revised Page 60  
Cancels Fourth Revised Page 60

Effective: November 1, 2021

E7.5 Rates and Charges (Cont'd)

E7.5.2 **Digital Data Service** <sup>[1]</sup>

(C)

A. Local Channel

1. Per Point of Termination

	<u>Monthly Rate</u>	<u>Nonrecurring Charge</u>
All Speeds (2.4, 4.8, 9.6, 19.2, 56.0, 64.0)	\$62.20	\$350.00

<sup>[1]</sup> **Effective November 1, 2021 Digital Data Services are grandfathered. Availability to current customers is limited to circuits in service at existing locations.**

(N)  
(N)

ACCESS SERVICE TARIFF

Embarq Florida, Inc.  
By: F. B. Poag, Director

Fourth Revised Page 61  
Cancels Third Revised Page 61

Effective: December 20, 2001

E7. DEDICATED ACCESS SERVICES

E7.5 Rates and Charges (Cont'd)

E7.5.2 Digital Data Service

A. Local Channel (Cont'd)

2. Local Channel Contract Rates Per Point of Termination<sup>1</sup>

Note<sup>1</sup>: See E107 for obsolete rates.

Tariff Page revised 6/5/2006 to reflect company name change from Sprint to Embarq.

ACCESS SERVICE TARIFF

Embarq Florida, Inc.  
By: F. B. Poag, Director

Third Revised Page 62  
Cancels Second Revised Page 62

Effective: December 20, 2001

E7. DEDICATED ACCESS SERVICES

E7.5 Rates and Charges (Cont'd)

E7.5.2 Digital Data Service (Cont'd)

Tariff Page revised 6/5/2006 to reflect company name change from Sprint to Embarq.



ACCESS SERVICE TARIFF

Embarq Florida, Inc. d/b/a CenturyLink  
By: Chantel Miller, Director

Sixth Revised Page 63  
Cancels Fifth Revised Page 63

Effective: November 1, 2021

E7. DEDICATED ACCESS SERVICES

E7.5 Rates and Charges (Cont'd)

E7.5.2 **Digital Data Service** <sup>[1]</sup> (Cont'd)

(C)

B. Interoffice Channel – Channel Mileage

	Monthly Rates	
	Termination (Fixed)	Facility (Per Mile)
All Speeds (2.4, 4.8, 9.6, 19.2, 56.0, 64.0)	\$25.00	\$3.00

<sup>[1]</sup> **Effective November 1, 2021 Digital Data Services are grandfathered. Availability to current customers is limited to circuits in service at existing locations.**

(N)  
(N)

FL2021-12

ACCESS SERVICE TARIFF

Embarq Florida, Inc.  
By: F. B. Poag, Director

Fourth Revised Page 64  
Cancels Third Revised Page 64

Effective: December 20, 2001

E7. DEDICATED ACCESS SERVICES

E7.5 Rates and Charges (Cont'd)

E7.5.2 Digital Data Service (Cont'd)

B. Interoffice Channel - Channel Mileage (Cont'd)

Tariff Page revised 6/5/2006 to reflect company name change from Sprint to Embarq.

ACCESS SERVICE TARIFF

Embarq Florida, Inc.  
By: F. B. Poag, Director

Fourth Revised Page 65  
Cancels Third Revised Page 65

Effective: December 20, 2001

E7. DEDICATED ACCESS SERVICES

E7.5 Rates and Charges (Cont'd)

E7.5.2 Digital Data Service (Cont'd)

B. Interoffice Channel - Channel Mileage (Cont'd)

Tariff Page revised 6/5/2006 to reflect company name change from Sprint to Embarq.

ACCESS SERVICE TARIFF

Embarq Florida, Inc. d/b/a CenturyLink  
 By: Chantel Miller, Director

Fifth Revised Page 66  
 Cancels Fourth Revised Page 66

Effective: November 1, 2021

E7. DEDICATED ACCESS SERVICES

E7.5 Rates and Charges (Cont'd)

E7.5.2 **Digital Data Service** <sup>[1]</sup> (Cont'd)

(C)

C. Optional Features and Functions

	<u>Monthly Rate</u>	<u>Nonrecurring Charge</u>
1. Bridging		
Per port (2.4, 4.8, 9.6, 19.2, 56.0 Kbps)	\$15.00	\$20.00
2. Digital Data Secondary Channel Capability, per Local Channel		
Each	15.00	235.00
3. Data Amplification	85.00	100.00
4. Contract Rates for Bridging <sup>1</sup>		

Note<sup>1</sup>: See E107 for obsolete rates.

<sup>[1]</sup> **Effective November 1, 2021 Digital Data Services are grandfathered. Availability to current customers is limited to circuits in service at existing locations.**

(N)  
(N)

FL2021-12

ACCESS SERVICE TARIFF

Embarq Florida, Inc. d/b/a CenturyLink  
By: Chantel Miller, Director

Sixth Revised Page 67  
Cancels Fifth Revised Page 67

Effective: November 1, 2021

E7. DEDICATED ACCESS SERVICES

E7.5 Rates and Charges (Cont'd)

E7.5.3 High Capacity Service

A. Local Channel

	<u>Monthly Rate</u>	<u>Nonrecurring Charge</u>	
1. 1.544 Mbps DS1 (per point of termination)			
Zone 1	\$130.00	\$360.00	
Zone 2	135.00	360.00	
Zone 3	140.00	360.00	
2. <b>Fractional DS1</b> <sup>[1]</sup> (per point of termination)			(C)
(a) 128 kbps	94.00	320.00	
(b) 256 kbps	95.00	320.00	
(c) 384 kbps	103.00	320.00	
3. 44.736 Mbps DS3 (per point of termination)			
Within CO			
Zone 1	891.00	400.00	
Zone 2	1,041.00	400.00	
Zone 3	1,114.00	400.00	
0-3 Miles			
Zone 1	1,479.00	400.00	
Zone 2	1,816.00	400.00	
Zone 3	1,942.00	400.00	
Over 3 Miles			
Zone 1	2,597.00	400.00	
Zone 2	3,193.00	400.00	
Zone 3	3,396.00	400.00	
4. Per Point of Termination			
(a) 3.152 Mbps		ICB rates and charges apply	
(b) 6.312 Mbps		ICB rates and charges apply	
(c) 274.176 Mbps		ICB rates and charges apply	

<sup>[1]</sup> **Effective November 1, 2021 Fractional DS1 Services are grandfathered. Availability to current customers is limited to circuits in service at existing locations.** (N)  
(N)

ACCESS SERVICE TARIFF

Embarq Florida, Inc.  
By: F. B. Poag, Director

Second Revised Page 68  
Cancels First Revised Page 68

Effective: June 11, 1999

E7. DEDICATED ACCESS SERVICES

E7.5 Rates and Charges (Cont'd)

E7.5.3 High Capacity Service (Cont'd)

Note: See E107 for obsolete rates.

**Tariff Page revised 6/5/2006 to reflect company name change from Sprint to Embarq.**

ACCESS SERVICE TARIFF

Embarq Florida, Inc. d/b/a CenturyLink  
By: Chantel Miller, Director

Fifth Revised Page 69  
Cancels Fourth Revised Page 69

Effective: November 1, 2021

E7. DEDICATED ACCESS SERVICES

E7.5 Rates and Charges (Cont'd)

E7.5.3 High Capacity Service (Cont'd)

B. Interoffice Channel

Mileage<sup>1</sup>:

	<u>Fixed Monthly Charge</u>	<u>Monthly Charge Per Mile</u>
1. 1.544 Mbps		
Zone 1	\$50.00	\$20.00
Zone 2	55.00	22.00
Zone 3	60.00	24.00
2. <b>Fractional DS1</b> <sup>[1]</sup>		
(a) 128 kbps	\$41.00	\$6.00
(b) 256 kbps	43.00	7.00
(c) 384 kbps	45.00	8.00
3. 44.736 Mbps		
Zone 1	\$615.00	\$118.00
Zone 2	738.00	139.00
Zone 3	812.00	148.00
4. 3.152 Mbps – ICB rates and charges apply.		
5. 6.312 Mbps – ICB rates and charges apply.		
6. 274.176 Mbps – ICB rates and charges apply.		

(C)

Note<sup>1</sup>: See Section E107 for obsolete rates.

<sup>[1]</sup> **Effective November 1, 2021 Fractional DS1 Services are grandfathered. Availability to current customers is limited to circuits in service at existing locations.**

(N)  
(N)

FL2021-12

ACCESS SERVICE TARIFF

Embarq Florida, Inc.  
By: F. B. Poag, Director

Second Revised Page 70  
Cancels First Revised Page 70

Effective: June 11, 1999

E7. DEDICATED ACCESS SERVICES

E7.5 Rates and Charges (Cont'd)

E7.5.3 High Capacity Service (Cont'd)

Note: See Section E107 for obsolete rates.

**Tariff Page revised 6/5/2006 to reflect company name change from Sprint to Embarq.**



ACCESS SERVICE TARIFF

Embarq Florida, Inc. d/b/a CenturyLink  
By: Chantel Miller, Director

Fifth Revised Page 71  
Cancels Fourth Revised Page 71

Effective: November 1, 2021

E7. DEDICATED ACCESS SERVICES

E7.5 Rates and Charges (Cont'd)

E7.5.3 High Capacity Service (Cont'd)

C. Optional Features and Functions

1. Multiplexing

Per Arrangement:

	<u>Monthly Rate</u>	<u>Nonrecurring Charge</u>	
(a) DS3 to DS1, each			
Zone 1	\$459.00	\$212.00	
Zone 2	540.00	212.00	
Zone 3	567.00	212.00	
(b) <b>DS1 to Voice, DS1 to DS0</b> <sup>[1]</sup> , each			(C)
Zone 1	\$253.00	\$175.00	
Zone 2	287.50	175.00	
Zone 3	304.75	175.00	
	<u>Monthly Rate</u>	<u>Nonrecurring Charge</u>	
(c) DS1C to DS1, each <sup>1</sup>	-	-	

Note<sup>1</sup>: ICB rates and charges apply.

<sup>[1]</sup> **Effective November 1, 2021 Voice Grade and Digital Data Services are grandfathered.** (N)  
**Availability to current customers is limited to circuits in service at existing locations.** (N)

FL2021-12

ACCESS SERVICE TARIFF

Embarq Florida, Inc.  
By: F. B. Poag, Director

Fifth Revised Page 72  
Cancels Fourth Revised Page 72

Effective: January 2, 2002

E7. DEDICATED ACCESS SERVICES

E7.5 Rates and Charges (Cont'd)

E7.5.3 High Capacity Service (Cont'd)

C. Optional Features and Functions (Cont'd)

	<u>Monthly Rate</u>	<u>Nonrecurring Charge</u>	
		<u>Initial</u>	<u>Subsequent</u>
2. Automatic Loop Transfer			
Per Arrangement <sup>1</sup>	\$155.50	\$10.00	\$ 46.00
3. Clear Channel Capability (CCC)			
Per Point of Termination <sup>2</sup>	-	-	\$300.00
4. Clear Channel Capability is furnished on a per DS1 service channel basis.			
Per DS1/1.544 Mbps High Capacity Channel Optioned as:			
(a) Superframe Format (SF)	-	-	\$655.00
(b) Extended Superframe Format (ESF)	-	-	\$655.00

Note<sup>1</sup>: An additional Local Channel charge will apply whenever the spare line is provided as a leg to the customer premises. This option may not be available with channels utilizing Clear Channel Capability via B8ZS line code.

Note<sup>2</sup>: A nonrecurring charge will apply when CCC is ordered for a DS1 circuit already in service.

Tariff Page revised 6/5/2006 to reflect company name change from Sprint to Embarq.

ACCESS SERVICE TARIFF

Embarq Florida, Inc. d/b/a CenturyLink  
By: Chantel Miller, Director

Fourth Revised Page 72.1  
Cancels Third Revised Page 72.1

Effective: November 1, 2021

E7. DEDICATED ACCESS SERVICES

E7.5 Rates and Charges (Cont'd)

E7.5.4 **Term Discount Plan** <sup>[1]</sup>

(C)

A. Channel Termination Per Point of Termination

	<u>3 Year</u>	<u>5 Year</u>
Digital Data (56.0, 64.0 Kbps):	\$56.00	\$50.00
1.544 Mbps:		
Zone 1	\$115.00	\$100.00
Zone 2	120.00	110.00
Zone 3	125.00	115.00
44.736 Mbps:		
Within the Central Office		
Zone 1	\$694.00	\$624.00
Zone 2	771.00	675.00
Zone 3	810.00	709.00
0-3 Miles		
Zone 1	\$1,153.00	\$1,009.00
Zone 2	1,357.00	1,187.00
Zone 3	1,425.00	1,247.00
Over 3 Miles		
Zone 1	\$2,031.00	\$1,777.00
Zone 2	2,389.00	2,090.00
Zone 3	2,508.00	2,195.00

<sup>[1]</sup> **Effective November 1, 2021 Voice Grade, Digital Data and Fractional DS1 Services are grandfathered. Availability to current customers is limited to circuits in service at existing locations. Customers will not be able to renew Digital Data Services within the term plan.**

(N)  
|  
(N)

ACCESS SERVICE TARIFF

Embarq Florida, Inc. d/b/a CenturyLink  
 By: Gary L. Kepley, Director

Third Revised Page 72.2 (T)  
 Cancels Second Revised Page 72.2 (T)

Effective: January 15, 2017

E7. DEDICATED ACCESS SERVICES

E7.5 Rates and Charges (Cont'd)

E7.5.4 Term Discount Plan (Cont'd)

B. Interoffice Facilities

	<u>3 Year</u>	<u>5 Year</u>	
<u>Fixed Mileage</u>			
Digital Data (56.0, 64.0 Kbps):	\$22.50	\$20.00	
1.544 Mbps:			
Zone 1	\$44.00	\$42.00	
Zone 2	47.00	45.00	
Zone 3	51.00	48.00	
44.736 Mbps:			
Zone 1	\$527.00	\$492.00	
Zone 2	632.00	590.00	
Zone 3	695.00	649.00	
<u>Per Mile</u>			
Digital Data (56.0, 64.0 Kbps):	\$ 2.70	\$ 2.40	
1.544 Mbps:			
Zone 1	\$ 14.00	\$ 13.00	
Zone 2	16.00	14.00	
Zone 3	18.00	16.00	
44.736 Mbps:			
Zone 1	\$ 94.00	\$ 82.00	
Zone 2	111.00	97.00	
Zone 3	116.00	102.00	

(M)(M1)

(M1)

(M) Material previously found on this page was moved to Page 72.1.

(M1) Material moved to this page was previously found on Page 72.4.

ACCESS SERVICE TARIFF

Embarq Florida, Inc. d/b/a CenturyLink  
 By: Gary L. Kepley, Director

Third Revised Page 72.3 (T)  
 Cancels Second Revised Page 72.3 (T)  
 Also Cancels Second Revised Page 72.4  
 Also Cancels Second Revised Page 72.5  
 Also Cancels Second Revised Page 73

Effective: January 15, 2017

E7. DEDICATED ACCESS SERVICES

E7.5 Rates and Charges (Cont'd)

E7.5.4 Term Discount Plan (Cont'd)

C. Optional Features and Functions

	<u>3 Year</u>	<u>5 Year</u>	
<u>Multiplexing</u>			
1.544 Mbps: DS1 to DS0, DS1 to Voice			
Zone 1	\$217.00	\$201.00	
Zone 2	246.00	224.00	
Zone 3	262.00	239.00	
44.736 Mbps: DS3 to DS1			
Zone 1	\$367.00	\$321.00	
Zone 2	432.00	378.00	
Zone 3	454.00	397.00	

(T)(M)  
 |  
 (M)

(M) Material moved to this page was previously found on Page 72.5.

ACCESS SERVICE TARIFF

Embarq Florida, Inc. d/b/a CenturyLink  
By: Gary L. Kepley, Director

Third Revised Page 1 (T)  
Cancels Second Revised Page 1 (T)

Effective: January 15, 2017

E8. RESERVED FOR FUTURE USE

CONTENTS

Also cancels the following pages:

(N)

<b>Contents, Second Revised Page 2</b>	<b>Second Revised Page 46</b>	<b>Second Revised Page 92</b>
<b>Second Revised Page 1</b>	<b>Second Revised Page 47</b>	<b>Second Revised Page 93</b>
<b>Second Revised Page 2</b>	<b>Second Revised Page 48</b>	<b>Second Revised Page 94</b>
<b>Third Revised Page 3</b>	<b>Second Revised Page 49</b>	<b>Second Revised Page 95</b>
<b>Second Revised Page 4</b>	<b>Second Revised Page 50</b>	<b>Second Revised Page 96</b>
<b>Second Revised Page 5</b>	<b>Second Revised Page 51</b>	<b>Second Revised Page 97</b>
<b>Second Revised Page 6</b>	<b>Second Revised Page 52</b>	<b>Second Revised Page 98</b>
<b>Second Revised Page 7</b>	<b>Second Revised Page 53</b>	<b>Second Revised Page 99</b>
<b>Second Revised Page 8</b>	<b>Second Revised Page 54</b>	<b>Second Revised Page 100</b>
<b>Second Revised Page 9</b>	<b>Second Revised Page 55</b>	<b>Second Revised Page 101</b>
<b>Second Revised Page 10</b>	<b>Second Revised Page 56</b>	<b>Second Revised Page 102</b>
<b>Second Revised Page 11</b>	<b>Second Revised Page 57</b>	<b>Second Revised Page 103</b>
<b>Second Revised Page 12</b>	<b>Second Revised Page 58</b>	<b>Second Revised Page 104</b>
<b>Second Revised Page 13</b>	<b>Second Revised Page 59</b>	<b>Second Revised Page 105</b>
<b>Second Revised Page 14</b>	<b>Second Revised Page 60</b>	<b>Second Revised Page 106</b>
<b>Second Revised Page 15</b>	<b>Second Revised Page 61</b>	<b>Second Revised Page 107</b>
<b>Second Revised Page 16</b>	<b>Second Revised Page 62</b>	<b>Second Revised Page 108</b>
<b>Second Revised Page 17</b>	<b>Second Revised Page 63</b>	<b>Second Revised Page 109</b>
<b>Second Revised Page 18</b>	<b>Second Revised Page 64</b>	<b>Second Revised Page 110</b>
<b>Second Revised Page 19</b>	<b>Second Revised Page 65</b>	<b>Second Revised Page 111</b>
<b>Second Revised Page 20</b>	<b>Second Revised Page 66</b>	<b>Second Revised Page 112</b>
<b>Second Revised Page 21</b>	<b>Second Revised Page 67</b>	
<b>Second Revised Page 22</b>	<b>Second Revised Page 68</b>	
<b>Second Revised Page 23</b>	<b>Second Revised Page 69</b>	
<b>Second Revised Page 24</b>	<b>Second Revised Page 70</b>	
<b>Second Revised Page 25</b>	<b>Second Revised Page 71</b>	
<b>Second Revised Page 26</b>	<b>Second Revised Page 72</b>	
<b>Second Revised Page 27</b>	<b>Second Revised Page 73</b>	
<b>Second Revised Page 28</b>	<b>Second Revised Page 74</b>	
<b>Second Revised Page 29</b>	<b>Second Revised Page 75</b>	
<b>Second Revised Page 30</b>	<b>Second Revised Page 76</b>	
<b>Second Revised Page 31</b>	<b>Second Revised Page 77</b>	
<b>Second Revised Page 32</b>	<b>Second Revised Page 78</b>	
<b>Second Revised Page 33</b>	<b>Second Revised Page 79</b>	
<b>Second Revised Page 34</b>	<b>Second Revised Page 80</b>	
<b>Second Revised Page 35</b>	<b>Second Revised Page 81</b>	
<b>Second Revised Page 36</b>	<b>Second Revised Page 82</b>	
<b>Second Revised Page 37</b>	<b>Second Revised Page 83</b>	
<b>Second Revised Page 38</b>	<b>Second Revised Page 84</b>	
<b>Second Revised Page 39</b>	<b>Second Revised Page 85</b>	
<b>Second Revised Page 40</b>	<b>Second Revised Page 86</b>	
<b>Second Revised Page 41</b>	<b>Second Revised Page 87</b>	
<b>Second Revised Page 42</b>	<b>Second Revised Page 88</b>	
<b>Second Revised Page 43</b>	<b>Second Revised Page 89</b>	
<b>Second Revised Page 44</b>	<b>Second Revised Page 90</b>	
<b>Second Revised Page 45</b>	<b>Second Revised Page 91</b>	

(N)

ACCESS SERVICE TARIFF

Embarq Florida, Inc.  
By: F. B. Poag, Director

First Revised Page 1  
Cancels Original Page 1

Effective: January 1, 1997

E9. DIRECTORY ASSISTANCE SERVICE - UNITED TELEPHONE

CONTENTS

	<u>Page</u>
E9.1 General Description	1
E9.1.1 Provision of Service	1
E9.2 Undertaking of the Company	1
E9.2.1 Number Provision	1
E9.2.2 Access Locations and Call Transport	1
E9.3 Obligations of the Customer	7
E9.3.1 Ordering Requirements	7
E9.3.2 End User Requirements	7
E9.4 Payment Arrangements	8
E9.4.1 Credit Allowance for Directory Assistance Service	8
E9.4.2 Payments	8
E9.4.3 Minimum Periods and Minimum Monthly Charges	8
E9.4.4 Cancellation of a Special Order	9
E9.4.5 Changes to Special Orders	10
E9.4.6 Moves	10
E9.4.7 Directory Assistance Service Rearrangements	10
E9.5 Rate Regulations and Charges	11
E9.5.1 Rate Regulations	11
E9.5.2 Rates and Charges	11

Tariff Page revised 6/5/2006 to reflect company name change from Sprint to Embarq.

ACCESS SERVICE TARIFF

Embarq Florida, Inc.  
By: F. B. Poag, Director

First Revised Page 1  
Cancels Original Page 1

Effective: January 1, 1997

E9. DIRECTORY ASSISTANCE SERVICE -UNITED TELEPHONE

E9.1 General Description

E9.1.1 Provision of Service - United Telephone

- A. The Company will provide Directory Assistance (DA) Service to a customer from Directory Assistance Service locations (DA locations).
- B. Directory Assistance Service provides: (1) Directory Access Service to Directory Assistance Service locations; (2) the use of Directory Assistance Service access equipment; and (3) the use of Directory Assistance operators to provide telephone numbers.

E9.2 Undertaking of the Company

E9.2.1 Number Provision

- A. A Company Directory Assistance operator, when furnished a name and locality, will provide or attempt to provide the telephone number listed in the Company Directory Assistance records associated with the name given at the rates and charges as set forth in E9.5 following. The Company's contact with the customer's end user shall be limited to that effort necessary to process a customer's end user's request for a telephone number; and the Company will not transfer, forward or redial a customer's end user call to any other location for any purpose other than provision of Directory Assistance Service.
- B. A maximum of two (2) requests for telephone numbers will be accepted per call to the Directory Assistance operator.
- C. A telephone number which is not listed in Directory Assistance records will not be available to the customer's end user.

Tariff Page revised 6/5/2006 to reflect company name change from Sprint to Embarq.



ACCESS SERVICE TARIFF

Embarq Florida, Inc.  
By: F. B. Poag, Director

First Revised Page 2  
Cancels Original Page 2

Effective: January 1, 1997

E9. DIRECTORY ASSISTANCE SERVICE - UNITED TELEPHONE

E9.2 Undertaking of the Company (Cont'd)

E9.2.2 Access Locations and Call Transport

- A. The Company will specify the Directory Assistance Service location which provides the Directory Assistance Service for each Numbering Plan Area Code (NPA).

When it becomes necessary, as determined by the Company, to change a Directory Assistance Service location, the Company will notify the customers involved six months prior to the change. For such changes, the regulations as set forth in E2.1.7 preceding apply.

- B. When Directory Assistance Service is ordered, Directory Access Service will be provided between the customer premises and the Directory Assistance Service location by the Company at rates and charges as set forth in E9.5 following.

1. Directory Access Service

Each Directory Access Service will consist of the following:

- a. A Switched Access Service equipped with one of the following Switched Access Service Switched Transport Premises Interface codes:

4DS9-15	6EA2-E	4RV2-0
4DS9-31	6EA2-M	4AH5-B
4DS0-63	6EX2-B	4AH6-C
4DS6-44	4SF3	4AH6-D
4DS6-27	2RV3-0	

- b. Directory Transport between the customer premises serving wire center and the Directory Assistance Service location.

Tariff Page revised 6/5/2006 to reflect company name change from Sprint to Embarq.

ACCESS SERVICE TARIFF

Embarq Florida, Inc.  
By: F. B. Poag, Director

First Revised Page 3  
Cancels Original Page 3

Effective: January 1, 1997

E9. DIRECTORY ASSISTANCE SERVICE - UNITED TELEPHONE

E9.2 Undertaking of the Company (Cont'd)

E9.2.2 Access Locations and Call Transport (Cont'd)

B. 2. Switched Transport Premises Interface Codes

The Switched Access Service Switched Transport Premises Interface Codes are provided as set forth in E6.1.3. preceding. Except as set forth in E9.4.5 following, the Switched Transport Premises Interface Codes provided under a Special Order for Directory Access Service are subject to the order conditions as set forth in E5. preceding. For purposes of applying the order regulations, a Directory Assistance Service location is considered to be an end user serving wire center.

3. Directory Transport

- a. Directory Transport provides the transmission facilities and transport termination between the customer premises and the Directory Assistance Service location.
- b. Directory Transport is a two-way voice frequency transmission path composed of facilities determined by the Company. The two-way voice frequency path transports calls in the terminating direction (from the customer premises to the Directory Assistance Service location). The voice frequency transmission path may be comprised of any form or configuration of plant capable of and typically used in the telecommunications industry for the transmission of voice and associated telephone signals within the frequency of band width of approximately 300 to 3000 Hz.
- c. The Company will determine whether the Directory Access Service is to be routed directly to a Directory Assistance Service access location or through an appropriately equipped access tandem switch when such an access tandem switch is available.

Tariff Page revised 6/5/2006 to reflect company name change from Sprint to Embarq.

ACCESS SERVICE TARIFF

Embarq Florida, Inc.  
By: F. B. Poag, Director

Second Revised Page 4  
Cancels First Revised Page 4

Effective: January 31, 1997

E9. DIRECTORY ASSISTANCE SERVICE - UNITED TELEPHONE

E9.2 Undertaking of the Company (Cont'd)

E9.2.2 Access Locations and Call Transport (Cont'd)

B. 3. Directory Transport (Cont'd)

- d. When Directory Transport is provided using a direct route to the Directory Assistance Service location, no address signaling is provided. When Directory Transport is provided with the use of an access tandem switch, wink start-start pulsing signaling is provided at the access tandem switch. The customer will be notified by the Company when access tandem routing is provided and the customer shall address each call to the Directory Assistance Service location using NPA+555+1212. Only NPA codes handled by the Directory Assistance Service location served by the access tandem switch will be processed.
- e. The number of Directory Transport transmission paths provided is based on the customer's order and is determined by the Company in a manner similar to Switched Transport transmission paths as set forth in E6.5.5 preceding.
- f. Except as set forth in E9.4.5 following, Directory Transport provided under a Special Order is subject to the order conditions as set forth in E5.
- g. Applicable transport charges from Section E6.8.2 will apply for Directory Transport Service.
- h. Directory Transport is provided with one of the Switched Transport Interface Groups as set forth in E6.1.3 preceding.

4. Special Facilities Routing

A customer may request that Directory Access Service be provided via Special Facilities Routing. The regulations, rates and charges for Special Routing (Avoidance, Diversity and Cable Only) are as set forth in E11. following.

Tariff Page revised 6/5/2006 to reflect company name change from Sprint to Embarq.

ACCESS SERVICE TARIFF

Embarq Florida, Inc.  
By: F. B. Poag, Director

Second Revised Page 5  
Cancels First Revised Page 5

Effective: August 8, 2000

E9. DIRECTORY ASSISTANCE SERVICE - UNITED TELEPHONE

E9.2 Undertaking of the Company (Cont'd)

E9.2.2 Access Locations and Call Transport (Cont'd)

B. (Cont'd)

5. Design Layout Report

At the request of the customer, the Company will provide to the customer the makeup of the facilities and services provided under this section as Directory Access Service. This information will be provided in the form of a Design Layout Report.

6. Transmission Specifications

Directory Access Service is provided with either Type A, B or C Transmission specifications. The specifications associated with the parameters are guaranteed to the DA location, whether routed directly or via an access tandem. Type C Transmission Specification is provided with Interface Group 1 when routed direct to a DA location. Type B Transmission Specification provided with Interface Groups 2, 6 and 9 when routed direct to a DA location. Type A Transmission Specification is provided with Interface Groups 2, 6 and 9 when routed via an access tandem.

A, B and C Transmission Specifications are set forth in E6.4.1 preceding.

7. Acceptance Testing and Testing Capabilities

The acceptance testing and testing capabilities for Directory Access Service traffic routed through an access tandem are the same as those for the associated Feature Group C or D end office switching. The acceptance testing for Directory Access Service traffic routed directly to or routed in a separate trunk group through an access tandem to the DA location will be as set forth in E6.1.6 preceding. The testing capabilities for Directory Access Service traffic routed directly to or routed in a separate trunk group through an access tandem to the DA location will be as set forth for cooperative scheduled testing or manual scheduled testing in E13. following.

Tariff Page revised 6/5/2006 to reflect company name change from Sprint to Embarq.

ACCESS SERVICE TARIFF

Embarq Florida, Inc.  
By: F. B. Poag, Director

Second Revised Page 6  
Cancels First Revised Page 6

Effective: February 18, 1997

E9. DIRECTORY ASSISTANCE SERVICE - UNITED TELEPHONE

E9.2 Undertaking of the Company (Cont'd)

E9.2.2 Access Locations and Call Transport (Cont'd)

- C. Trunk-side switching is provided at the Directory Assistance Service access location. The Directory Assistance Service access location will provide trunk answer and disconnect supervisory signaling.
- D. The Company will distribute the calls received over the Directory Access Services to the Directory Assistance Operators using the Directory Assistance Service location access equipment.
- E. The Company does not provide Directory Assistance Service for TFC Access Service, Interim 500 Access Service, or 900 Access Service.

In the event that the telephone number is unavailable to the Directory Assistance operator, no credit applies for the charge for the call to the Directory Assistance operator. When the Directory Assistance Service location or Directory Assistance operator equipment or terminals are out of service due to a Company equipment failure, or an incorrect number is provided, a credit as set forth in E9.4.1 following will apply.

- F. Directory Assistance Service may, at the option of the customer, be provided for interstate and intrastate communications. When the customer requests such mixed access, the intrastate Directory Assistance Service charges will be determined by the Company as set forth in E2.3.12.

E9.3 Obligations of the Customer

E9.3.1 Ordering Requirements

- A. The customer shall determine and order the trunks and interface type of Directory Access Services it needs for Directory Assistance Service.

Tariff Page revised 6/5/2006 to reflect company name change from Sprint to Embarq.

ACCESS SERVICE TARIFF

Embarq Florida, Inc.  
By: F. B. Poag, Director

First Revised Page 7  
Cancels Original Page 7

Effective: January 1, 1997

E9. DIRECTORY ASSISTANCE SERVICE - UNITED TELEPHONE

E9.3 Obligations of the Customer (Cont'd)

E9.3.1 Ordering Requirements (Cont'd)

- B. When Directory Assistance Service is ordered initially, the customer shall order the service for at least six months. Thereafter, additional service may be ordered for a minimum of six months. Not later than three months prior to the end of the six months period, the customer shall notify the Company if the service is to be discontinued at the end of the six months period. If no notice is received from the customer, the Company will automatically extend the service for another six months and all appropriate charges as set forth in E9.5 following for another six months will apply.
- C. The customer facilities at the customer's premises shall provide the necessary on-hook and off-hook supervision.

E9.3.2 End User Requirements

- A. When the customer bills its end users, the customer shall be responsible for all contacts and arrangements with its end users concerning the provision and maintenance of, and the billing and collecting of charges for, Directory Assistance Services furnished to its end users. When the Company bills the customer's end users at the request of the customer, contacts and arrangements with the customer's end users concerning the billing and collecting of charges will be as set forth in E8.2.
- B. The customer shall notify its end users through its tariff or other appropriate means that Directory Assistance Operators will respond to two (2) requests per call only and will not transfer, forward or redial the call to another location for any purpose other than the provision of Directory Assistance Service.

Tariff Page revised 6/5/2006 to reflect company name change from Sprint to Embarq.

ACCESS SERVICE TARIFF

Embarq Florida, Inc.  
By: F. B. Poag, Director

First Revised Page 8  
Cancels Original Page 8

Effective: January 1, 1997

E9. DIRECTORY ASSISTANCE SERVICE - UNITED TELEPHONE

E9.4 Payment Arrangements

E9.4.1 Credit Allowance for Directory Assistance Service

- A. When the Directory Assistance location or Directory Assistance operator equipment or terminals are out of service due to a Company equipment failure or an incorrect number is provided and a customer's end user's call has been answered or forwarded to a Directory Assistance operator, a credit allowance for a call answered or forwarded to the Directory Assistance operator equal to the rate for a Directory Assistance Service Call as set forth in E9.5 following will be applied to the customer's charges.
- B. Credit allowance for other service interruptions will be provided as set forth in E2.4.4.

E9.4.2 Payments

- A. Payment for Directory Assistance Service when Bill Processing Service and/or Private Line Billing Service is provided to the customer, will be included in the netting of accounts receivable as set forth in E8.2.2.
- B. Payment of any charges under this Tariff in no way gives the customer any interest in or ownership of the telephone numbers or Directory Assistance records or Directory Assistance Service systems established by the Company to provide Directory Assistance Service. Such records and systems are proprietary to the Company.
- C. All other payment regulations as set forth in E2.4 preceding apply.

E9.4.3 Minimum Periods and Minimum Monthly Charge

- A. The minimum period for which Directory Assistance Service and the Directory Access Service is provided and for which charges apply is six months.

Tariff Page revised 6/5/2006 to reflect company name change from Sprint to Embarq.

ACCESS SERVICE TARIFF

Embarq Florida, Inc.  
By: F. B. Poag, Director

First Revised Page 9  
Cancels Original Page 9

Effective: January 1, 1997

E9. DIRECTORY ASSISTANCE SERVICE - UNITED TELEPHONE

E9.4 Payment Arrangements (Cont'd)

E9.4.3 Minimum Periods and Minimum Monthly Charge (Cont'd)

- B. A minimum period of six months applies for each additional period of service ordered or extended.
- C. If Directory Assistance Service is discontinued prior to the end of each six month period, the charges that apply for the remaining months are the nonrecoverable costs. Such costs include the nonrecoverable cost of equipment and material ordered, provided or used, plus the nonrecoverable cost of installation and removal including the costs of engineering, labor, supervision, transportation, rights-of-way, and other associated costs less estimated net salvage.
- D. The minimum monthly charge for Directory Assistance Service calls is the charge as set forth in E9.5 following for the actual usage for the month.

E9.4.4 Cancellation of a Special Order

- A. A customer may cancel a Special Order for Directory Assistance Service on any date prior to the service date. The cancellation date is the date the Company receives written or verbal notice from the customer that the Special Order is to be canceled. The verbal notice must be followed by written confirmation within 10 days.
- B. When a customer cancels a Special Order for Directory Assistance Service after the order date but prior to the start of service, the appropriate charges as set forth in E5. preceding for the Directory Access Service ordered apply. In addition, a charge equal to any unrecoverable capital costs incurred by the Company will apply to the customer.

Tariff Page revised 6/5/2006 to reflect company name change from Sprint to Embarq.



ACCESS SERVICE TARIFF

Embarq Florida, Inc.  
By: F. B. Poag, Director

Second Revised Page 10  
Cancels First Revised Page 10

Effective: January 31, 1997

E9. DIRECTORY ASSISTANCE SERVICE - UNITED TELEPHONE

E9.4 Payment Arrangements (Cont'd)

E9.4.5 Changes to Special Orders

When a customer requests changes to a pending order for Directory Assistance Service, such changes will be undertaken if they can be accommodated by the Company. The appropriate charges as set forth in E5. preceding for Directory Access Service ordered apply. In addition, a charge equal to any other costs incurred by the Company because of the change will apply.

E9.4.6 Moves

A move involves a change in the physical location of the point of interface at the customer's premises. Moves will be treated as set forth in E6.7.6 preceding and all associated nonrecurring charges will apply. Minimum period requirements will be established at the new location as set forth in E6.7.6 preceding. The customer will also remain responsible for satisfying all outstanding minimum period charges for the discontinued service.

E9.4.7 Directory Assistance Service Rearrangements

Nonrecurring charges apply for service rearrangements. Service rearrangements are as set forth in E6.7.1 preceding. The Service Rearrangement Charges are as set forth in E6.7.1 for the type of change provided by the Company.

Tariff Page revised 6/5/2006 to reflect company name change from Sprint to Embarq.

ACCESS SERVICE TARIFF

Embarq Florida, Inc.  
By: F. B. Poag, Director

Second Revised Page 11  
Cancels First Revised Page 11

Effective: August 8, 2000

E9. DIRECTORY ASSISTANCE SERVICE - UNITED TELEPHONE

E9.5 Rate Regulations and Charges

E9.5.1 Rate Regulations

The Directory Assistance service call charge, as set forth in E9.5.2 following, applies for each call to Directory Assistance Service. A call is a call which has been answered by or forwarded to a Directory Assistance operator. The charge applies whether or not the Directory Assistance operator provides the requested telephone number. The number of calls answered or forwarded to Directory Assistance operators will be accumulated by Company measuring equipment. A credit for the provision of an incorrect telephone number will be applied as set forth in E9.4.1 preceding.

E9.5.2 Rates and Charges

Rates and charges are on a per unit basis.

	<u>Rate</u>
Directory Assistance Service charge, per call	\$.25

Tariff Page revised 6/5/2006 to reflect company name change from Sprint to Embarq.

ACCESS SERVICE TARIFF

Embarq Florida, Inc.  
By: F. B. Poag, Director

First Revised Page 1  
Cancels Original Page 1

Effective: January 1, 1997

E10. LATA CONFIGURATIONS

CONTENTS

	<u>Page</u>
E10.1 General	1
E10.2 Equal Access Exchange Areas (EAEA), LATA and MarketAreas	1
E10.2.1 LATA and Market Area Configurations	1
E10.2.2 Equal Access Exchange Areas (EAEA)	1

Tariff Page revised 6/5/2006 to reflect company name change from Sprint to Embarq.

ACCESS SERVICE TARIFF

Embarq Florida, Inc. *d/b/a CenturyLink*  
By: **Christy V. Londerholm**, Director

Second Revised Page 1 (T)  
Cancels First Revised Page 1 (T)

Effective: August 20, 2017

E10. LATA CONFIGURATIONS

E10.1 General

United Telephone assents to, adopts, and concurs in Section E10 of the **BellSouth Telecommunications Company, LLC d/b/a AT&T Florida** Access Service Tariff filed with the Public Service Commission of Florida as such section now exists, or as it may be revised, added to, or supplemented by superseding sheets or issues, and hereby makes itself a party thereto, and obligates itself to observe each and every provision thereof. (C)  
(C)

E10.2 Equal Access Exchange Areas (EAEA) for Central Telephone, LATAs and Market Areas

E10.2.1 LATA and Market Area Configurations

A LATA or Market Area is a geographical area in which Access Service is provided.

E10.2.2 Equal Access Exchange Areas (EAEA) for Central Telephone

EAEAs are geographical areas, configured based on 1987 planned toll center/access tandem areas, in which the Company is responsible for providing equal access to both carriers and end users in the most economically efficient manner. In an EAEA, ICs and resellers may have one or more point of presence so long as any additional costs incurred by the Company in providing such alternate or additional point of presence be paid by the party choosing such locations. (FPSC order 13750, Docket 820537-TP October 5, 1984)

A primary point of connection will be provided by the Company in each EAEA.

EAEA's and the exchanges contained therein are listed below.

ACCESS SERVICE TARIFF

Embarq Florida, Inc. **d/b/a CenturyLink**  
 By: **Christy V. Londerholm**, Director

Second Revised Page 2 (T)  
 Cancels First Revised Page 2 (T)  
 Effective: August 20, 2017

E10. LATA CONFIGURATIONS

**E10.2 Equal Access Exchange Areas (EAEA), LATA and Market Areas (Cont'd)** (N)

E10.2.2 Equal Access Exchange Areas (EAEA) for Central Telephone Only (Cont'd)

A. Crestview EAEA (Pensacola LATA)

Primary Point of Connection:

EXCHANGE	COMPANY	
Crestview <b>[1]</b>	Central Telephone	(D)
DeFuniak Springs	Central Telephone	(C)
Freeport	Central Telephone	
Glendale	Central Telephone	
Laurel Hill	<b>GTC, Inc.</b>	(C)
Paxton	<b>GTC, Inc.</b>	(C)
Ponce de Leon	Central Telephone	

B. Ft. Walton Beach EAEA (Pensacola LATA)

Primary Point of Connection:

EXCHANGE	COMPANY	
Destin <b>[2]</b>	Central Telephone	(C)
Ft. Walton Beach	Central Telephone	
Santa Rosa Beach	Central Telephone	
Sea Grove Beach	Central Telephone	
Shalimar	Central Telephone	(D)

**[1] Effective July 11, 2017 Crestview includes the geographical area formerly served by the Baker exchange.** (N)

**[2] Effective July 11, 2017 Destin includes the geographical area formerly served by the Valparaiso exchange.** (N)

ACCESS SERVICE TARIFF

Embarq Florida, Inc. **d/b/a CenturyLink**  
 By: **Christy V. Londerholm**, Director

Second Revised Page 3 (T)  
 Cancels First Revised Page 3 (T)  
 Effective: August 20, 2017

E10. LATA CONFIGURATIONS

**E10.2 Equal Access Exchange Areas (EAEA), LATA and Market Areas (Cont'd)** (N)

E10.2.2 Equal Access Exchange Areas (EAEA) for Central Telephone Only (Cont'd)

C. Tallahassee EAEA (Tallahassee Market Area)

Primary Point of Connection:

EXCHANGE	COMPANY	
Cherry Lake <b>[1]</b>	Central Telephone	(C)
Crawfordville <b>[2]</b>	Central Telephone	(C)
Greenville	Central Telephone	
Keaton Beach	<b>GTC, Inc.</b>	(C)
		(D)
Madison	Central Telephone	
Monticello	Central Telephone	
		(D)
Perry	<b>GTC, Inc.</b>	(C)
		(D)
St. Marks <b>[3]</b>	Central Telephone	(C)
Tallahassee	Central Telephone	

D. Marianna EAEA (Panama City LATA)

Primary Point of Connection:

EXCHANGE	COMPANY	
		(D)
Bonifay	Central Telephone	
Cottondale	Central Telephone	
		(D)
Greenwood <b>[4]</b>	Central Telephone	(C)
Marianna	Central Telephone	
		(D)
Reynolds Hill	Central Telephone	
Sneads	Central Telephone	
Westville	Central Telephone	

**[1] Effective July 11, 2017 Cherry Lake includes the geographical area formerly served by the Lee exchange.** (N)

**[2] Effective October 15, 2016 Crawfordville includes the geographical area formerly served by the Sopchoppy exchange.**

**[3] Effective October 15, 2016 St. Marks includes the geographical area formerly served by the Panacea exchange.**

**[4] Effective July 11, 2017 Greenwood includes the geographical area formerly served by the Alford, Grand Ridge and Malone exchanges.** (N)

ACCESS SERVICE TARIFF

Embarq Florida, Inc. *d/b/a CenturyLink*  
 By: **Christy V. Londerholm**, Director

Second Revised Page 4 (T)  
 Cancels First Revised Page 4 (T)  
 Effective: August 20, 2017

E10. LATA CONFIGURATIONS

**E10.2 Equal Access Exchange Areas (EAEA), LATA and Market Areas (Cont'd)** (N)

E10.2.2 Equal Access Exchange Areas (EAEA) for Central Telephone Only (Cont'd)

E. Jacksonville EAEA (Jacksonville LATA)

Primary Point of Connection:

EXCHANGE	COMPANY	
Baldwin	<b>AT&amp;T Florida</b>	(C)
Callahan	<b>Windstream Florida, Inc.</b>	
Crescent City	<b>Windstream Florida, Inc.</b>	
Fernandina Beach	<b>AT&amp;T Florida</b>	
Florahome	<b>Windstream Florida, Inc.</b>	
Fort George	<b>AT&amp;T Florida</b>	
Green Cove Springs	<b>AT&amp;T Florida</b>	
Hastings	<b>Windstream Florida, Inc.</b>	
Hilliard	<b>Windstream Florida, Inc.</b>	
Interlachen	<b>Windstream Florida, Inc.</b>	
Jacksonville	<b>AT&amp;T Florida</b>	
Jacksonville Beach	<b>AT&amp;T Florida</b>	
Julington	<b>AT&amp;T Florida</b>	(C)
Kingsley Lake	Central Telephone	
Lake City	<b>AT&amp;T Florida</b>	(C)
Lawtey	Central Telephone	
Macclenny	Northeast Florida	
Maxville	<b>AT&amp;T Florida</b>	(C)
Middleburg	<b>AT&amp;T Florida</b>	
Orange Park	<b>AT&amp;T Florida</b>	
Palatka	<b>AT&amp;T Florida</b>	
Pomona Park	<b>AT&amp;T Florida</b>	
Ponte Vedra Beach	<b>AT&amp;T Florida</b>	(C)
Sanderson	Northeast Florida	
St. Augustine	<b>AT&amp;T Florida</b>	(C)
Starke	Central Telephone	
Welaka	<b>AT&amp;T Florida</b>	(C)
Yulee	<b>AT&amp;T Florida</b>	(C)

ACCESS SERVICE TARIFF

Embarq Florida, Inc.  
By: F. B. Poag, Director

First Revised Page 1  
Cancels Original Page 1

Effective: January 1, 1997

E11. SPECIAL FACILITIES ROUTING OF ACCESS SERVICES

CONTENTS

	<u>Page</u>
E11.1 Description of Special Facilities Routing of Access Services	1
E11.1.1 General	1
E11.2 Rates and Charges for Special Facilities Routing of Access Services	3
E11.2.1 Diversity	3
E11.2.2 Avoidance	3
E11.2.3 Diversity and Avoidance Combined	3
E11.2.4 Cable-Only Facilities	3

Tariff Page revised 6/5/2006 to reflect company name change from Sprint to Embarq.



ACCESS SERVICE TARIFF

Embarq Florida, Inc.  
By: F. B. Poag, Director

First Revised Page 1  
Cancels Original Page 1

Effective: January 1, 1997

E11. SPECIAL FACILITIES ROUTING OF ACCESS SERVICE

E11.1 Description of Special Facilities Routing of Access Services

E11.1.1 General

A. The services provided under this Tariff are provided over such routes and facilities as the Company may elect. Special Facilities Routing is involved, when, in order to comply with requirements specified by the IC, the Company provides Switched Access Service or Special Access Service in a manner which includes one or more of the following conditions:

1. Diversity

Where two or more services must be provided over not more than two different physical routes.

2. Avoidance

Where a service must be provided on a route which avoids specified geographical locations.

3. Cable-Only Facilities

Certain Voice Grade services are provided on Cable-Only Facilities to meet the particular needs of an IC. Service is provided subject to the availability of cable-only facilities.

In the event of service failure, restoration will be made through the use of any available facilities as selected by the Company.

Tariff Page revised 6/5/2006 to reflect company name change from Sprint to Embarq.

ACCESS SERVICE TARIFF

Embarq Florida, Inc.  
By: F. B. Poag, Director

Second Revised Page 2  
Cancels First Revised Page 2

Effective: January 7, 2000

E11. SPECIAL FACILITIES ROUTING OF ACCESS SERVICE

E11.1 Description of Special Facilities Routing of Access Services (Cont'd)

E11.1.1 General (Cont'd)

- B. Avoidance and Diversity are available on Switched Access Service, as set forth in E6 preceding, and Voice Grade Special Access Services, as set forth in E7 preceding. Cable-Only Facilities are available for Switched Access Service as set forth in E6 preceding and Voice Grade Special Access Services as set forth in E7 preceding.
- C. In order to avoid the compromise of special routing information, the Company will provide the required routing information for each specially routed service only to the ordering IC. If requested by the IC, this information will be provided when service is installed and prior to any subsequent changes in routing.
- D. The rates and charges for Special Facilities Routing of Access Services as set forth in E11.2 following are in addition to all other rates and charges that may be applicable for services provided under other sections of this Tariff.

Tariff Page revised 6/5/2006 to reflect company name change from Sprint to Embarq.

ACCESS SERVICE TARIFF

Embarq Florida, Inc.  
By: F. B. Poag, Director

Second Revised Page 3  
Cancels First Revised Page 3

Effective: August 8, 2000

11. SPECIAL FACILITIES ROUTING OF ACCESS SERVICE

E11.2 Rates and Charges for Special Facilities Routing of Access Services

The rates and charges for Special Facilities Routing of Access Services are as follows:

E11.2.1 Diversity

For each service provided in accordance with E11.1 preceding, the rates and charges will be developed on an individual case basis.

E11.2.2 Avoidance

For each service provided in accordance with E11.1 preceding, the rates and charges will be developed on an individual case basis.

E11.2.3 Diversity and Avoidance Combined

For each service provided in accordance with E11.1 preceding, combined, the rates and charges will be developed on an individual case basis.

E11.2.4 Cable-Only Facilities

For each service provided in accordance with E11.1 preceding, the rates and charges will be developed on an individual case basis.

Tariff Page revised 6/5/2006 to reflect company name change from Sprint to Embarq.

ACCESS SERVICE TARIFF

Embarq Florida, Inc.  
By: F. B. Poag, Director

First Revised Page 1  
Cancels Original Page 1

Effective: January 1, 1997

E12. SPECIALIZED SERVICE OR ARRANGEMENTS

CONTENTS

	<u>Page</u>
E12.1 General	1
E12.1.1 Provision of Specialized Service or Arrangements	1
E12.2 Rates and Charges	1
E12.3 Contract Service Arrangements	2
E12.3.1 General	2

Tariff Page revised 6/5/2006 to reflect company name change from Sprint to Embarq.

ACCESS SERVICE TARIFF

Embarq Florida, Inc.  
By: F. B. Poag, Director

First Revised Page 1  
Cancels Original Page 1

Effective: January 1, 1997

E12. SPECIALIZED SERVICE OR ARRANGEMENTS

E12.1 General

E12.1.1 Provision of Specialized Service or Arrangements

Specialized service or arrangements may be provided by the Company, at the request of an IC, on an individual case basis if such service or arrangements meet the following criteria:

- A. The requested service or arrangements are not offered under other sections of this Tariff.
- B. The facilities utilized to provide the requested service or arrangements are of a type normally used by the Company in furnishing its other services.
- C. The requested service or arrangements are provided within a LATA.
- D. The requested service or arrangements are compatible with other Company services, facilities, and its engineering and maintenance practices.
- E. This offering is subject to the availability of the necessary Company personnel and capital resources.

E12.2 Rates and Charges

Rates and Charges, and additional regulations if applicable, for specialized service or arrangements provided on an individual case basis are filed following:

None

Tariff Page revised 6/5/2006 to reflect company name change from Sprint to Embarq.

ACCESS SERVICE TARIFF

Embarq Florida, Inc.  
By: F. B. Poag, Director

First Revised Page 2  
Cancels Original Page 2

Effective: January 1, 1997

E12. SPECIALIZED SERVICE OR ARRANGEMENTS

E12.3 Contract Service Arrangements

E12.3.1 General

- A. When economically practicable, customer specific contract service arrangements may be furnished in lieu of existing tariff offerings provided there is reasonable potential for uneconomic bypass of the Company's services. Uneconomic bypass occurs when an alternative service arrangement is utilized, in lieu of company services, at prices below the Company's rates but above the Company's incremental costs.
- B. Rates, Charges, Terms and additional regulations, if applicable, for the contract service arrangements will be developed on an individual case basis, and will include all relevant costs, plus an appropriate level of contribution.
- C. Costs for the contract service arrangements may include one or more of the following items but may not be limited to only these items:
  - 1. Labor, engineering and materials
  - 2. Operating expenses, e.g., maintenance, administration
  - 3. Return on investment
  - 4. Taxes
  - 5. Depreciation
  - 6. Any other identifiable associated cost
  - 7. Supervision
  - 8. Charges associated with construction provided by another company
  - 9. Charges for securing, clearing and retaining private rights-of-way
  - 10. Charges for securing use of poles and/or pole line attachments on utility poles of other companies.
  - 11. Equipment or space rental or lease charges
  - 12. Expenses incurred due to damages caused by the customer or his agents
  - 13. Cost for rearrangements or changes
  - 14. Supporting structures

Tariff Page revised 6/5/2006 to reflect company name change from Sprint to Embarq.

ACCESS SERVICE TARIFF

Embarq Florida, Inc.  
By: F. B. Poag, Director

Second Revised Page 3  
Cancels First Revised Page 3

Effective: February 20, 1999

E12. SPECIALIZED SERVICE OR ARRANGEMENTS

E12.3 Contract Service Arrangements (Cont'd)

E12.3.1 General (Cont'd)

- D. Unless otherwise specified, the regulations for contract service arrangements are in addition to the applicable regulations and rates specified in other sections of this Tariff.
- E. Services specified in the following Sections only of this Tariff are available through contract service arrangements:
  - Section E6
  - Section E7
  - Section E14
  - Section E18
- F. Contract Service Arrangements are furnished by the Company to a subscriber only for communications in which the subscriber has a direct interest and shall not be used for any purpose for which a payment or other compensation shall be received by him from any other person, firm, or corporation for such use, or in the collection, transmission or delivery of any communication for others. Contract Service Arrangements will not be offered to customers or other parties for the purposes of resale and/or shared use.
- G. The subscriber and the Company may elect to enter into an agreement where certain rates and/or charges for contract service arrangements are applicable for a fixed period of time. The Company will continue to offer such contract service arrangements without change in the applicable rates and/or charges unless mutual consent has been reached between the Company and the customer to undertake such changes. The Florida Public Service Commission will not adjust contract service arrangement rates and/or charges during this period. At the completion of this period, the agreement may be renewed at the option of the Company and the subscriber. Revised rates and/or charges may apply to any renewed agreement.

Tariff Page revised 6/5/2006 to reflect company name change from Sprint to Embarq.

ACCESS SERVICE TARIFF

Embarq Florida, Inc.  
By: F. B. Poag, Director

Fourth Revised Page 1  
Cancels Third Revised Page 1

Effective: July 25, 2001

E13. ADDITIONAL ENGINEERING, ADDITIONAL LABOR AND MISCELLANEOUS CHARGES

CONTENTS

	<u>Page</u>
E13.1 Additional Labor	1
E13.1.1 Engineering	1
E13.1.2 Overtime Installation	3
E13.1.3 Overtime Repair	3
E13.1.4 Stand By	3
E13.1.5 Testing and Maintenance with Other Telephone Companies	3
E13.1.6 Additional Installation Testing	3
E13.1.7 Other Labor	4
E13.1.8 Charges for Additional Labor	4
E13.1.9 Maintenance of Service	4
E13.2 Additional Labor Rates	4.1
E13.3 Miscellaneous Services	6
E13.3.1 Reserved for Future Use	6
E13.3.2 Reserved for Future Use	8
E13.3.3 Presubscription	9
E13.3.4 Testing Services	26
E13.3.5 Provision of Access Service Billing Information	42
E13.3.6 Protective Connecting Arrangements	44
E13.3.7 Telecommunications Service Priority (TSP)Service	44
E13.3.8 Reserved For Future Use	50

Tariff Page revised 6/5/2006 to reflect company name change from Sprint to Embarq.



ACCESS SERVICE TARIFF

Embarq Florida, Inc.  
By: F. B. Poag, Director

Second Revised Page 1  
Cancel First Revised Page 1

Effective: August 29, 2000

E13. ADDITIONAL ENGINEERING, ADDITIONAL LABOR AND MISCELLANEOUS CHARGES

In this Section, Basic Time refers to the period when services are performed by the Company on business days during regularly scheduled work hours. Overtime refers to the period when services are performed by the Company on business days but outside of regularly scheduled work hours. Premium time refers to the period when services are performed by the Company on non-business days, such as weekends and holidays.

E13.1 Additional Labor

Additional labor is that labor requested by the IC or End User on a given service and agreed to by the Company as set forth in E13.1.2 through E13.1.6 following. The Company will notify the IC or End User that additional labor charges as set forth in E13.2 following will apply before any additional labor is undertaken.

13.1.1 Engineering

Additional Engineering will be provided by the Company at the request of the IC or End User only when:

- A. An IC or End User requests additional technical information after the Company has already provided the technical information normally included on the Design Layout Report (DLR) as set forth in E6.1.5 and E7.1.6 preceding.
- B. Additional engineering time is incurred by the Company to engineer an IC or End User's request for a customized service as set forth in E7.2 preceding.
- C. An IC or End User requests a design change, and additional engineering time is incurred by the Company for the engineering review as set forth in E5.2.2(E). The charge for additional engineering will apply whether or not the IC or End User authorizes the Company to proceed with the design change.

Tariff Page revised 6/5/2006 to reflect company name change from Sprint to Embarq.

ACCESS SERVICE TARIFF

Embarq Florida, Inc.  
By: F. B. Poag, Director

Second Revised Page 2  
Cancels First Revised Page 2

Effective: August 29, 2000

E13. ADDITIONAL ENGINEERING, ADDITIONAL LABOR AND MISCELLANEOUS CHARGES

E13.1 Additional Labor (Cont'd)

E13.1.1 Engineering (Cont'd)

The Company will notify the IC or End User that additional labor charges, as set forth in E13.2 following, will apply before any additional engineering is undertaken.

Tariff Page revised 6/5/2006 to reflect company name change from Sprint to Embarq.

ACCESS SERVICE TARIFF

Embarq Florida, Inc.  
By: F. B. Poag, Director

Second Revised Page 3  
Cancels First Revised Page 3

Effective: August 29, 2000

E13. ADDITIONAL ENGINEERING, ADDITIONAL LABOR AND MISCELLANEOUS CHARGES

E13.1 Additional Labor (Cont'd)

E13.1.2 Overtime Installation

Overtime installation is that Company installation effort outside of normally scheduled working hours.

E13.1.3 Overtime Repair

Overtime repair is that Company maintenance effort performed outside of normally scheduled working hours.

E13.1.4 Stand By

Stand by includes all time in excess of one-half (1/2) hour during which Company personnel stand by to make cooperative tests with an IC to verify facility repair on a given service.

E13.1.5 Testing and Maintenance with Other Telephone Companies

Testing and Maintenance with other telephone companies is that additional testing, maintenance or repair of facilities which connect to facilities of other telephone companies, which is in addition to normal effort required to test, maintain or repair facilities provided solely by the Company.

E13.1.6 Additional Installation Testing

Additional installation testing is that testing performed by the Company at the time of installation which is in addition to the normal preservice acceptance testing to ensure the satisfactory performance of Access Service ordered by the IC or End User. In no event shall a charge be made for Additional Labor that is related solely to testing with other telephone companies.

ACCESS SERVICE TARIFF

Embarq Florida, Inc.  
By: F. B. Poag, Director

Second Revised Page 4  
Cancels First Revised Page 4

Effective: August 29, 2000

E13. ADDITIONAL ENGINEERING, ADDITIONAL LABOR AND MISCELLANEOUS CHARGES

E13.1 Additional Labor (Cont'd)

E13.1.7 Other Labor

Other Labor is that additional labor not included in E13.1.2 through E13.1.5 preceding, including but not limited to labor incurred to accommodate a specific IC or end user request that involves only labor which is not covered by any other section of this Tariff.

E13.1.8 Charges for Additional Labor

Hourly charges are calculated from the time Company personnel are dispatched and end when the work is completed.

Service by a Company employee at a time not consecutive with his scheduled work period is subject to a minimum charge of 3 hours at the rate specified in E13.2.B or E13.2.C., as applicable.

E13.1.9 Maintenance of Service

- A. When an IC or End User reports a trouble to the Company for clearance and no trouble is found in the Company's facilities, the IC or End User shall be responsible for payment of a Maintenance of Service charge for the period of time from when Company personnel are dispatched to when the work is completed. Failure of Company personnel to find trouble in Company facilities will result in no charge if the trouble is actually in those facilities, but not discovered at the time.
- B. The IC or End User shall be responsible for payment of a Maintenance of Service charge when the company dispatches personnel, and the trouble is in equipment or communications systems provided by other than the Company or in detariffed CPE provided by the Company.

In either A. or B. preceding, no credit allowance will be applicable for the interruption involved if the Maintenance of Service charge applies.

Maintenance of Service Charges are applied on a per half hour, per technician basis as set forth in E13.2 following.

## ACCESS SERVICE TARIFF

Embarq Florida, Inc.  
By: F. B. Poag, Director

First Revised Page 4.1  
Cancels Original Page 4.1

Effective: August 29, 2000

E13. ADDITIONAL ENGINEERING, ADDITIONAL LABOR AND MISCELLANEOUS CHARGES  
(Cont'd)

E13.2 Additional Labor Rates

	Firs Half Hour or Fraction <u>Thereof</u>	Each Add'l Half Hour Half Hour or Fraction <u>Thereof</u>
A. Basic Time, normally scheduled working hours, per engineer or technician	\$40.00	\$35.00
B. Overtime, outside of normally scheduled working hours on a scheduled work day per engineer or technician	\$45.00 (I)	\$40.00
C. Premium time, outside of scheduled work day, per engineer or technician	\$50.00 (I)	\$45.00

Tariff Page revised 6/5/2006 to reflect company name change from Sprint to Embarq.

ACCESS SERVICE TARIFF

Embarq Florida, Inc.  
By: F. B. Poag, Director

Second Revised Page 5  
Cancels First Revised Page 5

Effective: August 29, 2000

E13. ADDITIONAL ENGINEERING, ADDITIONAL LABOR AND MISCELLANEOUS CHARGES

E13.2 Additional Labor Rates (Cont'd)

Tariff Page revised 6/5/2006 to reflect company name change from Sprint to Embarq.

ACCESS SERVICE TARIFF

Embarq Florida, Inc.  
By: F. B. Poag, Director

Third Revised Page 6  
Cancels Second Revised Page 6

Effective: August 29, 2000

E13. ADDITIONAL ENGINEERING, ADDITIONAL LABOR AND MISCELLANEOUS CHARGES

E13.3 Miscellaneous Services

E13.3.1 Reserved for Future Use

Tariff Page revised 6/5/2006 to reflect company name change from Sprint to Embarq.

ACCESS SERVICE TARIFF

Embarq Florida, Inc.  
By: F. B. Poag, Director

Second Revised Page 7  
Cancels First Revised Page 7

Effective: August 29, 2000

E13. ADDITIONAL ENGINEERING, ADDITIONAL LABOR AND MISCELLANEOUS CHARGES

E13.3 Miscellaneous Service (Cont'd)

E13.3.1 Reserved for Future Use (Cont'd)

Tariff Page revised 6/5/2006 to reflect company name change from Sprint to Embarq.



ACCESS SERVICE TARIFF

Embarq Florida, Inc.  
By: F. B. Poag, Director

Second Revised Page 8  
Cancels First Revised Page 8

Effective: August 29, 2000

E13. ADDITIONAL ENGINEERING, ADDITIONAL LABOR AND MISCELLANEOUS CHARGES

E13.3 Miscellaneous Services (Cont'd)

E13.3.2 Reserved for Future Use

Tariff Page revised 6/5/2006 to reflect company name change from Sprint to Embarq.

ACCESS SERVICE TARIFF

Embarq Florida, Inc.  
By: F. B. Poag, Director

Fourth Revised Page 9  
Cancels Third Revised Page 9

Effective: July 25, 2001

E13. ADDITIONAL ENGINEERING, ADDITIONAL LABOR AND MISCELLANEOUS CHARGES

E13.3 Miscellaneous Services (Cont'd)

E13.3.3 Presubscription

- A. Presubscription is a procedure whereby an end user# may select and designate to the Company an IC to access, without an access code, for IntraLATA and InterLATA Intrastate calls. The end user may select one (1) IC for both IntraLATA and InterLATA calls or they may select one (1) IC for their InterLATA calls and a different IC or the Company for IntraLATA calls. This IC is referred to as the end user's primary IC.

The presubscription procedure also allows the agent\* representing a pay telephone to select and designate to the Company an IC to access, without dialing an access code, for IntraLATA and InterLATA intrastate calls.

- B. Presubscription of residence and business lines and/or trunks is furnished in accordance with the detailed provisions of the Federal Communication's Allocation Plan. The plan with all appendices is available for inspection at the main building of the Federal Communications Commission in the Public Reference Room of the Tariff Division. Copies may be obtained from the Federal Communications Commission's Commercial Contractor.

The same detailed provisions apply to pay telephone presubscription for end offices converting to Equal Access.

# For purposes of this section, the term end user also includes Competitive Local Exchange Carriers (CLECs) that are certified to resell local exchange telecommunications services.

\* An agent is the person or persons who have the legal authority to give the Company permission for the placement of pay telephones on their premises and who control access to or usage of the pay telephone.

Tariff Page revised 6/5/2006 to reflect company name change from Sprint to Embarq.

ACCESS SERVICE TARIFF

Embarq Florida, Inc.  
By: F. B. Poag, Director

Third Revised Page 10  
Cancels Second Revised Page 10

Effective: July 25, 2001

E13. ADDITIONAL ENGINEERING, ADDITIONAL LABOR AND MISCELLANEOUS CHARGES

E13.3 Miscellaneous Services (Cont'd)

E13.3.3 Presubscription (Cont'd)

Tariff Page revised 6/5/2006 to reflect company name change from Sprint to Embarq.

ACCESS SERVICE TARIFF

Embarq Florida, Inc.  
By: F. B. Poag, Director

Third Revised Page 11  
Cancels Second Revised Page 11

Effective: July 25, 2001

E13. ADDITIONAL ENGINEERING, ADDITIONAL LABOR AND MISCELLANEOUS CHARGES

E13.3 Miscellaneous Services (Cont'd)

E13.3.3 Presubscription (Cont'd)

Tariff Page revised 6/5/2006 to reflect company name change from Sprint to Embarq.

ACCESS SERVICE TARIFF

Embarq Florida, Inc.  
By: F. B. Poag, Director

Third Revised Page 12  
Cancels Second Revised Page 12

Effective: July 25, 2001

E13. ADDITIONAL ENGINEERING, ADDITIONAL LABOR AND MISCELLANEOUS CHARGES

E13.3 Miscellaneous Services (Cont'd)

E13.3.3 Presubscription (Cont'd)

Tariff Page revised 6/5/2006 to reflect company name change from Sprint to Embarq.

ACCESS SERVICE TARIFF

Embarq Florida, Inc.  
By: F. B. Poag, Director

Third Revised Page 13  
Cancels Second Revised Page 13

Effective: July 25, 2001

E13. ADDITIONAL ENGINEERING, ADDITIONAL LABOR AND MISCELLANEOUS CHARGES

E13.3 Miscellaneous Services (Cont'd)

E13.3.3 Presubscription (Cont'd)

Tariff Page revised 6/5/2006 to reflect company name change from Sprint to Embarq.

ACCESS SERVICE TARIFF

Embarq Florida, Inc.  
By: John M. Felz, Director

Fourth Revised Page 14  
Cancels Third Revised Page 14

Effective: May 6, 2009

E13. ADDITIONAL ENGINEERING, ADDITIONAL LABOR AND MISCELLANEOUS CHARGES

E13.3 Miscellaneous Services (Cont'd)

E13.3.3 Presubscription (Cont'd)

C. Presubscription Charge Application

1. New end users or agents, who will be served by end offices equipped with equal access, will be asked to select a primary IC for both intraLATA and interLATA calls, or one (1) IC for their interLATA calls and a different IC or the Company for intraLATA calls at the time they place an order with the Company for Telephone Exchange Service. A confirming notice will be mailed to the new end user when an IC is verbally chosen. New end users will be offered a list of participating carriers to aid in their selection of a primary IC. There will be no charge for this initial selection. (D)

After the end user's or agent's initial primary IC selection, for any change thereafter, a charge, as set forth in E following, applies.

2. End users may designate that they do not want a primary IC. This choice is considered a valid selection and a Presubscription Charge will apply to any subsequent change. This "no primary IC" designation is not available to pay telephone agents.

(D)

ACCESS SERVICE TARIFF

Embarq Florida, Inc.  
By: F. B. Poag, Director

Third Revised Page 15  
Cancels Second Revised Page 15

Effective: July 25, 2001

E13. ADDITIONAL ENGINEERING, ADDITIONAL LABOR AND MISCELLANEOUS CHARGES

E13.3 Miscellaneous Services (Cont'd)

E13.3.3 Presubscription (Cont'd)

C. Presubscription Charge Application (Cont'd)

3. Should an IC elect to discontinue Feature Group D service in an end office converting to equal access prior to the conversion date, or within two (2) years after the introduction of Feature Group D in the converted end office, the IC shall contact in writing all end users and agents who selected or were allocated to the cancelling IC as their primary IC. Such written notification must advise these end users and agents of the IC cancellation, request that the end users or agents select a new IC, and state that the cancelling IC will pay the change charge.

For a period of two (2) years following the IC's discontinuance of Feature Group D service, the Company will bill the cancelling IC the change charge for each end user that is currently designated to the IC at the time of discontinuance.



ACCESS SERVICE TARIFF

Embarq Florida, Inc.  
By: Gary L. Kepley, Director

6th Revised Page 16  
Cancels 5th Revised Page 16

(T)

Effective: March 14, 2011

E13. ADDITIONAL ENGINEERING, ADDITIONAL LABOR AND MISCELLANEOUS CHARGES

E13.3 Miscellaneous Services (Cont'd)

E13.3.3 Presubscription (Cont'd)

C. Presubscription Charge Application (Cont'd)

- 4. The Company will make post conversion changes in the end user's PIC assignment pursuant to an IC provided list of customers, accepted by the Company under the conditions set forth preceding. Should an end user dispute authorization of the change in PIC assignment, the Company will place the end user or agent on the previous carriers network where possible and the carrier will be billed in accordance with 13.3.3D following.
- 5. A Presubscription Charge will apply for each intraLATA change submitted, except as provided in 1. preceding. The applicable charge for each interLATA presubscription change submitted is set forth in CenturyLink Operating Companies Tariff F.C.C. No. 9, Section 13.3.4. If intraLATA and interLATA presubscription changes are submitted simultaneously for the same carrier, the intraLATA PIC change charge will be as set forth in E.2 following.

(T)  
(T)

D. Unauthorized PIC Carrier Restoral

An Unauthorized PIC Carrier Restoral is a change in the preferred PIC assignment that the end user or agent denies authorizing. If an end user or agent denies requesting the change in PIC assignment as submitted by the IC, the alleged unauthorized IC will be assessed the PIC change charge as set forth in 13.3.3E for the following:

- Changing the end user or agent to the disputed IC, and;
- Placing the end user or agent back on their previous IC's network.

E. The nonrecurring charge for a change in IntraLATA Presubscription is as follows:

Per line or trunk

	<u>Nonrecurring Charge</u>
1. IntraLATA PIC change not performed simultaneous with InterLATA change	\$4.80
2. IntraLATA PIC change performed simultaneous with InterLATA change	\$2.40

Note: This charge is billed to the end user or the agent of a payphone which is the subscriber to the Telephone Exchange Service, except as set forth in C.3 and 4 preceding when such charges will be billed to an IC.

ACCESS SERVICE TARIFF

Embarq Florida, Inc.  
By: F. B. Poag, Director

Third Revised Page 17  
Cancels Second Revised Page 17

Effective: July 25, 2001

E13. ADDITIONAL ENGINEERING, ADDITIONAL LABOR AND MISCELLANEOUS CHARGES

E13.3 Miscellaneous Services (Cont'd)

E13.3.3 Presubscription (Cont'd)

Tariff Page revised 6/5/2006 to reflect company name change from Sprint to Embarq.

ACCESS SERVICE TARIFF

Embarq Florida, Inc.  
By: F. B. Poag, Director

Third Revised Page 18  
Cancels Second Revised Page 18

Effective: July 25, 2001

E13. ADDITIONAL ENGINEERING, ADDITIONAL LABOR AND MISCELLANEOUS CHARGES

E13.3 Miscellaneous Services (Cont'd)

E13.3.3 Presubscription (Cont'd)

Tariff Page revised 6/5/2006 to reflect company name change from Sprint to Embarq.

ACCESS SERVICE TARIFF

Embarq Florida, Inc.  
By: F. B. Poag, Director

Third Revised Page 19  
Cancels Second Revised Page 19

Effective: July 25, 2001

E13. ADDITIONAL ENGINEERING, ADDITIONAL LABOR AND MISCELLANEOUS CHARGES

E13.3 Miscellaneous Services (Cont'd)

E13.3.3 Presubscription (Cont'd)

Tariff Page revised 6/5/2006 to reflect company name change from Sprint to Embarq.

ACCESS SERVICE TARIFF

Embarq Florida, Inc.  
By: F. B. Poag, Director

Third Revised Page 20  
Cancels Second Revised Page 20

Effective: July 25, 2001

E13. ADDITIONAL ENGINEERING, ADDITIONAL LABOR AND MISCELLANEOUS CHARGES

E13.3 Miscellaneous Services (Cont'd)

E13.3.3 Presubscription (Cont'd)

Tariff Page revised 6/5/2006 to reflect company name change from Sprint to Embarq.

ACCESS SERVICE TARIFF

Embarq Florida, Inc.  
By: F. B. Poag, Director

Third Revised Page 21  
Cancels Second Revised Page 21

Effective: July 25, 2001

E13. ADDITIONAL ENGINEERING, ADDITIONAL LABOR AND MISCELLANEOUS CHARGES

E13.3 Miscellaneous Services (Cont'd)

E13.3.3 Presubscription (Cont'd)

Tariff Page revised 6/5/2006 to reflect company name change from Sprint to Embarq.

ACCESS SERVICE TARIFF

Embarq Florida, Inc.  
By: F. B. Poag, Director

Third Revised Page 22  
Cancels Second Revised Page 22

Effective: July 25, 2001

E13. ADDITIONAL ENGINEERING, ADDITIONAL LABOR AND MISCELLANEOUS CHARGES

E13.3 Miscellaneous Services (Cont'd)

E13.3.3 Presubscription (Cont'd)

Tariff Page revised 6/5/2006 to reflect company name change from Sprint to Embarq.

ACCESS SERVICE TARIFF

Embarq Florida, Inc.  
By: F. B. Poag, Director

Fourth Revised Page 23  
Cancels Third Revised Page 23

Effective: July 25, 2001

E13. ADDITIONAL ENGINEERING, ADDITIONAL LABOR AND MISCELLANEOUS CHARGES

E13.3 Miscellaneous Services (Cont'd)

E13.3.3 Presubscription (Cont'd)

Tariff Page revised 6/5/2006 to reflect company name change from Sprint to Embarq.



ACCESS SERVICE TARIFF

Embarq Florida, Inc.  
By: F. B. Poag, Director

Third Revised Page 24  
Cancels Second Revised Page 24

Effective: July 25, 2001

E13. ADDITIONAL ENGINEERING, ADDITIONAL LABOR AND MISCELLANEOUS CHARGES

E13.3 Miscellaneous Services (Cont'd)

E13.3.3 Presubscription (Cont'd)

Tariff Page revised 6/5/2006 to reflect company name change from Sprint to Embarq.

ACCESS SERVICE TARIFF

Embarq Florida, Inc.  
By: F. B. Poag, Director

Third Revised Page 25  
Cancels Second Revised Page 25

Effective: July 25, 2001

E13. ADDITIONAL ENGINEERING, ADDITIONAL LABOR AND MISCELLANEOUS CHARGES

E13.3 Miscellaneous Services (Cont'd)

E13.3.3 Presubscription (Cont'd)

Tariff Page revised 6/5/2006 to reflect company name change from Sprint to Embarq.

ACCESS SERVICE TARIFF

Embarq Florida, Inc.  
By: F. B. Poag, Director

Second Revised Page 26  
Cancels First Revised Page 26

Effective: July 25, 2001

E13. ADDITIONAL ENGINEERING, ADDITIONAL LABOR AND MISCELLANEOUS CHARGES

E13.3 Miscellaneous Services (Cont'd)

E13.3.3 Presubscription (Cont'd)

E13.3.4 Testing Services

- A. The Company will, in addition to any IC or End User requested acceptance testing, perform such tests as it believes necessary to insure that the access services ordered by an IC or End User are functioning properly prior to turning over such access services to the IC or End User. In addition, the Company, as part of the ongoing work to maintain the continued satisfactory performance of the access services ordered by the IC or End User, may perform periodic tests.

Tariff Page revised 6/5/2006 to reflect company name change from Sprint to Embarq.

ACCESS SERVICE TARIFF

Embarq Florida, Inc.  
By: F. B. Poag, Director

First Revised Page 27  
Cancels Original Page 27

Effective: January 1, 1997

E13. ADDITIONAL ENGINEERING, ADDITIONAL LABOR AND MISCELLANEOUS CHARGES

E13.3 Miscellaneous Services (Cont'd)

E13.3.4 Testing Services (Cont'd)

A. (Cont'd)

Testing Services offered under this section of the Tariff are optional and subject to rates and charges as set forth in E13.3.4.F following. Payment for Switched Access testing is the responsibility of the IC. Payment for Special Access testing is the responsibility of the End User. Other testing services provided by the Company in association with Access Services are furnished at no additional charge. These other testing services are described in E6.1.6 and E7.1.7 preceding.

- B. Testing services are normally provided by Company personnel at Company locations. However, provisions are made in D.6. and E.2. following for an IC or End User to request Company personnel to perform testing services at the IC terminal location or the end user's premises.

Testing charges which are time sensitive apply per Company employee performing billable work at the IC's or End User's request. The sum of the time is used to determine the number of 30 minute increments to be billed. Only one initial increment is to be billed per request. A request for additional labor by a Company employee at a time not consecutive with the employee's scheduled work period is subject to a minimum charge of three hours.

- C. The offering of Testing Services under this section of the Tariff is made subject to the availability of the necessary qualified personnel and test equipment at the various test locations mentioned in D., E., and F. following:

ACCESS SERVICE TARIFF

Embarq Florida, Inc.  
By: F. B. Poag, Director

First Revised Page 28  
Cancels Original Page 28

Effective: January 1, 1997

E13. ADDITIONAL ENGINEERING, ADDITIONAL LABOR AND MISCELLANEOUS CHARGES

E13.3 Miscellaneous Services (Cont'd)

E13.3.4 Testing Services (Cont'd)

D. Switched Access Service

1. Categories of Tests

Testing Services for Switched Access are comprised of (a) tests which are performed during the installation of a Switched Access Service, and (b) tests which are performed after acceptance of such access services by an IC, i.e., in-service tests. These in-service tests may be further divided into two broad categories of tests: scheduled and nonscheduled.

a. Scheduled Tests

Scheduled tests are those tests performed by the Company on a regular basis, e.g., monthly, which result in the measurement of Switched Access Service. Scheduled tests may be done on an automatic basis (no Company or IC technicians involved), or a cooperative basis (Company technicians involved at Company offices and IC technicians involved at the IC's terminal location), or a manual basis (Company technician involved at Company offices and at the IC's terminal location).

b. Nonscheduled Tests

Nonscheduled tests are tests performed by the Company "on demand", and which result in the measurement of Switched Access Services. Nonscheduled tests may involve Company technicians at Company offices and at the IC's terminal location.

ACCESS SERVICE TARIFF

Embarq Florida, Inc.  
By: F. B. Poag, Director

First Revised Page 29  
Cancels Original Page 29

Effective: January 1, 1997

E13. ADDITIONAL ENGINEERING, ADDITIONAL LABOR AND MISCELLANEOUS CHARGES

E13.3 Miscellaneous Services (Cont'd)

E13.3.4 Testing Services (Cont'd)

D. Switched Access Service

2. Additional Cooperative Acceptance Testing

- a. Additional Cooperative Acceptance Testing (ACAT) of Switched Access Service involves the Company provision of a technician at its office(s) and the IC provision of a technician at its terminal location(s), with suitable test equipment to perform the required tests.
- b. Additional Cooperative Acceptance Tests may, for example, consist of the following tests:

C-Notched Noise  
Impulse Noise  
Phase Jitter  
Signal To C-Notched Noise Ratio  
Intermodulation (Nonlinear) Distortion  
Frequency Shift (Offset)  
Envelope Delay Distortion  
Dial Pulse Percent Break

Tariff Page revised 6/5/2006 to reflect company name change from Sprint to Embarq.

ACCESS SERVICE TARIFF

Embarq Florida, Inc.  
By: F. B. Poag, Director

First Revised Page 30  
Cancels Original Page 30

Effective: January 1, 1997

E13. ADDITIONAL ENGINEERING, ADDITIONAL LABOR AND MISCELLANEOUS CHARGES

E13.3 Miscellaneous Services (Cont'd)

E13.3.4 Testing Services (Cont'd)

D. Switched Access Service (Cont'd)

3. Automatic Scheduled Testing

- a. Automatic Scheduled Testing (AST) of Switched Access Services (Feature Groups B, C, and D), where the IC provides remote office test lines and 105 test lines with associated responders or their functional equivalent, will consist of monthly loss and C-message noise tests and annual balance tests.

However, the IC may specify a more frequent schedule of tests. In addition to the loss/noise/balance tests, the IC may also order, at additional charges, gain-slope, and C-notched noise testing.

- b. The Company will provide a monthly AST report that lists the test results for each trunk tested<sup>1</sup>.

4. Cooperative Scheduled Testing

- a. Cooperative Scheduled Testing (CST) of Switched Access Services (Feature Groups B, C, and D and Directory Access Service not routed through an access tandem), where the Company provides a technician at its office(s) and the IC provides a technician at its terminal location(s) with suitable test equipment to perform the required tests, will consist of quarterly loss and C-message noise tests and annual balance tests. However, the IC may specify a more frequent schedule of tests. In addition to the loss/noise/balance measurements, the IC may also order, at additional charges, gain-slope, C-notched noise testing.
- b. The Company will provide, on a quarterly basis, a CST report that lists the test results for each trunk tested<sup>1</sup>.

Note<sup>1</sup>: Trunk test failures requiring IC participation for trouble resolution will be provided to the IC on an as-occurs basis.

Tariff Page revised 6/5/2006 to reflect company name change from Sprint to Embarq.

ACCESS SERVICE TARIFF

Embarq Florida, Inc.  
By: F. B. Poag, Director

First Revised Page 31  
Cancels Original Page 31

Effective: January 1, 1997

E13. ADDITIONAL ENGINEERING, ADDITIONAL LABOR AND MISCELLANEOUS CHARGES

E13.3 Miscellaneous Services (Cont'd)

E13.3.4 Testing Services (Cont'd)

D. Switched Access Service (Cont'd)

5. Manual Scheduled Testing

- a. Manual Scheduled Testing (MST) of Switched Access Services (Feature Groups B and D and Directory Access Service not routed through an access tandem), where the Company provides a technician at its offices(s) and at the IC terminal location, will consist of quarterly loss and C-message noise tests and annual balance tests. However, the IC may specify a more frequent schedule of tests. In addition to the loss/noise/balance tests, the IC may also order, at additional charges, gain-slope, C-notched noise testing.
- b. The Company will provide, on a quarterly basis, a MST report that lists the test results for each trunk tested<sup>1</sup>.

Note<sup>1</sup>: Trunk test failures requiring IC participation for trouble resolution will be provided to the IC on an as-occurs basis.

Tariff Page revised 6/5/2006 to reflect company name change from Sprint to Embarq.



ACCESS SERVICE TARIFF

Embarq Florida, Inc.  
By: F. B. Poag, Director

First Revised Page 32  
Cancels Original Page 32

Effective: January 1, 1997

E13. ADDITIONAL ENGINEERING, ADDITIONAL LABOR AND MISCELLANEOUS CHARGES

E13.3 Miscellaneous Services (Cont'd)

E13.3.4 Testing Services (Cont'd)

D. Switched Access Service (Cont'd)

6. Nonscheduled Testing

a. Nonscheduled Testing (NST) of Switched Access Services is where:

- (1) The IC provides remote office test lines and 105 test lines with associated responders or their functional equivalent ("automatic testing"), or
- (2) The Company provides a technician at its office(s) and the IC provides a technician at its terminal location(s), with suitable test equipment to perform the required tests ("cooperative testing"), or
- (3) The Company provides a technician at its office(s) and at the IC's terminal location(s) or End User's premises, with suitable test equipment to perform the required tests ("manual testing").

b. Nonscheduled Tests, may consist of any tests, e.g., loss, noise, slope, envelope delay, which the IC may require.

7. Obligations of the IC

- a. The IC shall provide the Remote Office Test Line priming data to the Company, as appropriate, to support AST as set forth in E13.3.4.D.3. preceding or NST as set forth in E13.3.4.D.6. preceding.
- b. The IC shall make the facilities to be tested available to the Company at times mutually agreed upon.

Tariff Page revised 6/5/2006 to reflect company name change from Sprint to Embarq.

ACCESS SERVICE TARIFF

Embarq Florida, Inc.  
By: F. B. Poag, Director

First Revised Page 33  
Cancels Original Page 33

Effective: January 1, 1997

E13. ADDITIONAL ENGINEERING, ADDITIONAL LABOR AND MISCELLANEOUS CHARGES

E13.3 Miscellaneous Services (Cont'd)

E13.3.4 Testing Services (Cont'd)

E. Dedicated Access Service

The Company will, at the request of an IC or End User, provide assistance in performing specific tests requested by the IC or End User.

1. Additional Cooperative Acceptance Testing (ACAT)

When an IC provides a technician at its terminal location or its end user's premises, with suitable test equipment to perform the required tests, the Company will provide a technician at its office for the purpose of conducting Additional Cooperative Acceptance Testing on voice grade services. At the IC's or End User's request, the Company will provide a technician at the IC terminal location or at the End User's premises. These tests may, e.g., consist of the following:

- a. VG1 through VG5: Attenuation Distortion, C-Message Noise and Echo Control
- b. VG6 through VG12: Attenuation Distortion, C-Message Noise, Echo Control Impulse Noise, Phase Jitter, Intermodulation Distortion, Envelope Delay Distortion and Frequency Shift.

2. Nonscheduled Testing (NST)

When an IC provides a technician at its terminal location and/or the End User provides a technician at its premises, with suitable test equipment to perform the required tests, the Company will provide a technician at its office for the purpose of conducting Nonscheduled Testing. At the IC's or End User's request, the Company will provide a technician at the IC terminal location or at the end user's premises. Nonscheduled Tests, may consist of any tests, e.g., loss, noise, slope, envelope delay, which the IC or End User may require.

Tariff Page revised 6/5/2006 to reflect company name change from Sprint to Embarq.

ACCESS SERVICE TARIFF

Embarq Florida, Inc.  
By: F. B. Poag, Director

Second Revised Page 34  
Cancels First Revised Page 34

Effective: August 8, 2000

E13. ADDITIONAL ENGINEERING, ADDITIONAL LABOR AND MISCELLANEOUS CHARGES

E13.3 Miscellaneous Services (Cont'd)

E13.3.4 Testing Services (Cont'd)

E. Dedicated Access Service (Cont'd)

3. Obligation of the IC and End User

When the IC or End User subscribes to Testing Service as set forth in this section, the IC or End User shall make the facilities to be tested available to the Company at times mutually agreed upon.

F. Rates and Charges

1. Switched Access

a. Additional Cooperative Acceptance Testing

(1) Testing Rates, per technician

		First Half Hour or Fraction Thereof	Each Additional Half Hour or Fraction Thereof
(a)	Basic Time (normally scheduled work hours.)	\$43.75	\$17.54
(b)	Overtime (Outside normally scheduled work hours on a scheduled work day.)	47.02	20.81
(c)	Premium Time (Outside normal work day.) <sup>1</sup>	50.29	24.08

Note<sup>1</sup>: A call-out of a Company employee at a time not consecutive with the employee's scheduled work period is subject to a minimum charge of three hours.

Tariff Page revised 6/5/2006 to reflect company name change from Sprint to Embarq.

ACCESS SERVICE TARIFF

Embarq Florida, Inc.  
By: F. B. Poag, Director

Second Revised Page 35  
Cancels First Revised Page 35

Effective: August 8, 2000

E13. ADDITIONAL ENGINEERING, ADDITIONAL LABOR AND MISCELLANEOUS CHARGES

E13.3 Miscellaneous Services (Cont'd)

E13.3.4 Testing Services (Cont'd)

F. Rates and Charges (Cont'd)

1. Switched Access (Cont'd)

b. Automatic Scheduled Testing (AST)

To first point of switching, per test ordered, per year

	<u>Monthly Rate</u>
(a) 1004 Hz Loss <sup>1,2,3</sup> per transmission path	\$.06
(b) C-Message Noise <sup>1,2,3</sup> per transmission path	.06
(c) Return Loss (Balance) <sup>1,2,3</sup> per transmission path	.06
(d) Gain-Slope <sup>3</sup> per transmission path	.06
(e) C-Notched Noise, per transmission path	.06

Note<sup>1</sup>: The IC may specify a more frequent schedule of tests, 60 days prior to the start of the IC prescribed schedule.

Note<sup>2</sup>: These three tests represent the minimum offering, i.e., an order for testing must at a minimum, consist of twelve 1004Hz Loss Tests per transmission path, twelve C-Message Noise Tests per transmission path and one Return Loss (Balance) Test per transmission path, per year. The additional tests listed may be ordered by the IC at additional charges, 60 days prior to the start of the IC prescribed schedule.

Note<sup>3</sup>: Subject to a one year minimum contract period and annually thereafter.

Tariff Page revised 6/5/2006 to reflect company name change from Sprint to Embarq.

ACCESS SERVICE TARIFF

Embarq Florida, Inc.  
By: F. B. Poag, Director

Second Revised Page 36  
Cancels First Revised Page 36

Effective: August 8, 2000

E13. ADDITIONAL ENGINEERING, ADDITIONAL LABOR AND MISCELLANEOUS CHARGES

E13.3 Miscellaneous Services (Cont'd)

E13.3.4 Testing Services (Cont'd)

F. Rates and Charges (Cont'd)

1. Switched Access (Cont'd)

c. Cooperative Scheduled Testing (CST)

	Monthly Rate
(1) To first point of switching, per test order, per year	
(a) 1004 Hz Loss <sup>1,2,3</sup> per transmission path	\$.34
(b) C-Message Noise, <sup>1,2,3</sup> per transmission path	.25
(c) Return Loss (Balance), <sup>1,2,3</sup> per transmission path	.55
(d) Gain-Slope, per transmission path	.34
(e) C-Notched Noise, per transmission path	.25

Note<sup>1</sup>: The IC may specify a more frequent schedule of tests, 60 days prior to the start of the IC prescribed schedule.

Note<sup>2</sup>: These three tests represent the minimum offering, i.e., an order for testing must at a minimum, consist of twelve 1004Hz Loss Tests per transmission path, twelve C-Message Noise Tests per transmission path and one Return Loss (Balance) Test per transmission path, per year. The additional tests listed may be ordered by the IC at additional charges, 60 days prior to the start of the IC prescribed schedule.

Note<sup>3</sup>: Subject to a one year minimum contract period and annually thereafter.

Tariff Page revised 6/5/2006 to reflect company name change from Sprint to Embarq.

ACCESS SERVICE TARIFF

Embarq Florida, Inc.  
By: F. B. Poag, Director

Second Revised Page 37  
Cancels First Revised Page 37

Effective: August 8, 2000

E13. ADDITIONAL ENGINEERING, ADDITIONAL LABOR AND MISCELLANEOUS CHARGES

E13.3 Miscellaneous Services (Cont'd)

E13.3.4 Testing Services (Cont'd)

F. Rates and Charges (Cont'd)

1. Switched Access (Cont'd)

d. Manual Scheduled Testing (MST)

(1) To first point of switching, per test ordered, per  
Monthly  
Rate

(a) 1004 Hz Loss <sup>1,2,3</sup> per transmission path	\$ .90
(b) C-Message Noise, <sup>1,2,3</sup> per transmission path	.59
(c) Return Loss (Balance), <sup>1,2,3</sup> per transmission path	1.20
(d) Gain-Slope, per transmission	
(e) C-Notched Noise, per transmission path	.59

Note<sup>1</sup>: The IC may specify a more frequent schedule of tests, 60 days prior to the start of the IC prescribed schedule.

Note<sup>2</sup>: These three tests represent the minimum offering, i.e., an order for testing must at a minimum, consist of twelve 1004Hz Loss Tests per transmission path, twelve C-Message Noise Tests per transmission path and one Return Loss (Balance) Test per transmission path, per year. The additional tests shown may be ordered by the IC at additional charges, 60 days prior to the start of the IC prescribed schedule.

Note<sup>3</sup>: Subject to a one year minimum contract period, and annually thereafter.

Tariff Page revised 6/5/2006 to reflect company name change from Sprint to Embarq.

ACCESS SERVICE TARIFF

Embarq Florida, Inc.  
By: F. B. Poag, Director

Second Revised Page 38  
Cancels First Revised Page 38

Effective: August 8, 2000

E13. ADDITIONAL ENGINEERING, ADDITIONAL LABOR AND MISCELLANEOUS CHARGES

E13.3 Miscellaneous Services (Cont'd)

E13.3.4 Testing Services (Cont'd)

F. Rates and Charges (Cont'd)

1. Switched Access (Cont'd)

e. Nonscheduled Testing (NST)

(1) Cooperative Testing:

	<u>First Half Hour or Fraction Thereof</u>	<u>Each Additional Half Hour or Fraction Thereof</u>
(a) Basic, normally scheduled work hours, per technician	\$43.75	\$17.54
(b) Overtime, outside normally scheduled work hours on a scheduled work day, per technician	47.02	20.81
(c) Premium, outside scheduled work day per technician <sup>1</sup>	50.29	24.08
(2) Manual Testing		
(a) Basic, normally scheduled work hours, per technician	43.93	17.72
(b) Overtime, outside normally scheduled work hours on a scheduled work day, per technician	47.12	20.91
(c) Premium, outside scheduled work day, per technician <sup>1</sup>	50.31	24.10

Note<sup>1</sup>: A call-out of a Company employee at a time not consecutive with the employee's scheduled work period is subject to a minimum charge of three hours.

Tariff Page revised 6/5/2006 to reflect company name change from Sprint to Embarq.

ACCESS SERVICE TARIFF

Embarq Florida, Inc.  
By: F. B. Poag, Director

Second Revised Page 39  
Cancels First Revised Page 39

Effective: August 8, 2000

E13. ADDITIONAL ENGINEERING, ADDITIONAL LABOR AND MISCELLANEOUS CHARGES

E13.3 Miscellaneous Services (Cont'd)

E13.3.4 Testing Services (Cont'd)

F. Rates and Charges (Cont'd)

1. Switched Access (Cont'd)

(3) Automatic Testing, to first point of switching,  
per test performed.

	<u>Rate</u>
(a) 1004 Hz Loss	\$12.44
(b) C-Message Noise	12.44
(c) Return Loss (Balance)	12.44
(d) Gain-Slope	12.44
(e) C-Notched Noise	12.44

Tariff Page revised 6/5/2006 to reflect company name change from Sprint to Embarq.



ACCESS SERVICE TARIFF

Embarq Florida, Inc.  
By: F. B. Poag, Director

Second Revised Page 40  
Cancels First Revised Page 40

Effective: August 8, 2000

E13. ADDITIONAL ENGINEERING, ADDITIONAL LABOR AND MISCELLANEOUS CHARGES

E13.3 Miscellaneous Services (Cont'd)

E13.3.4 Testing Services (Cont'd)

F. Rates and Charges (Cont'd)

2. Dedicated Access

a. Additional Cooperative Acceptance Testing (ACAT)

(1) Applies to the following tests:

VG1 through 5: Attenuation Distortion, C-Message Noise, Echo Control

VG6 through 12: Attenuation Distortion, C-Message Noise, Echo Control Impulse Noise, Phase Jitter, Intermodulation Distortion, Envelope Delay Distortion and Frequency Shift

	First Half Hour or Fraction Thereof	Each Additional Half Hour or Fraction Thereof
(a) Basic time, normally scheduled work hours, per technician	\$44.12	\$17.91
(b) Overtime, outside of normally scheduled work hours on a scheduled work day, per technician	47.22	21.01
(c) Premium time, outside of scheduled work day, per technician <sup>1</sup>	50.33	24.12

Note<sup>1</sup>: A call-out of a Company employee at a time not consecutive with the employee's scheduled work period is subject to a minimum charge of three hours.

Tariff Page revised 6/5/2006 to reflect company name change from Sprint to Embarq.

ACCESS SERVICE TARIFF

Embarq Florida, Inc.  
By: F. B. Poag, Director

Second Revised Page 41  
Cancels First Revised Page 41

Effective: August 8, 2000

E13. ADDITIONAL ENGINEERING, ADDITIONAL LABOR AND MISCELLANEOUS CHARGES

E13.3 Miscellaneous Services (Cont'd)

E13.3.4 Testing Services (Cont'd)

F. Rates and Charges (Cont'd)

2. Dedicated Access (Cont'd)

b. Nonscheduled Testing (NST)

	First Half Hour or Fraction Thereof	Each Additional Half Hour or Fraction Thereof
(1) Testing Rates, per technician		
(a) Basic time, normally scheduled work hours, per technician	\$44.12	\$17.91
(b) Overtime, outside of normally scheduled work hours on a scheduled work day, per technician	47.22	21.01
(c) Premium time, outside of scheduled work day, per technician <sup>1</sup>	50.33	24.12

Note<sup>1</sup>: A call-out of a Company employee at a time not consecutive with the employee's scheduled work period is subject to a minimum charge of three hours.

Tariff Page revised 6/5/2006 to reflect company name change from Sprint to Embarq.

ACCESS SERVICE TARIFF

Embarq Florida, Inc.  
d/b/a CenturyLink  
By: Gary L. Kepley, Director

Fourth Revised Page 42  
Cancels Third Revised Page 42

Effective: July 1, 2016

E13. ADDITIONAL ENGINEERING, ADDITIONAL LABOR AND MISCELLANEOUS CHARGES

E13.3 Miscellaneous Services (Cont'd)

E13.3.5 Provision of Access Service Billing Information

- A. The customer will receive its monthly bills in a standard paper format.
- B. At the option of the customer, and for an additional charge:
  - 1. Customer shall select the medium in which its monthly bills and/or customer service records are to be provided. This selection shall be made on a per account basis and shall be submitted in writing to the Company. The IC or End User may request that access service billing information be provided via electronic data transfer or standard paper format. (D)
  - 2. Billing detail and/or information may be transmitted to the customer premises by electronic data transfer.
  - 3. Additional copies of the customer current monthly bill and/or customer service record may be provided via standard paper format at charges specified in E13.3.5.D.3. Requests for additional copies of the current monthly bill or service and features record must be submitted in writing and shall specify the medium selected by the customer. (D)

(D)  
(D)

ACCESS SERVICE TARIFF

Embarq Florida, Inc.  
d/b/a CenturyLink  
By: Gary L. Kepley, Director

Fourth Revised Page 43  
Cancels Third Revised Page 43

Effective: July 1, 2016

E13. ADDITIONAL ENGINEERING, ADDITIONAL LABOR AND MISCELLANEOUS CHARGES

E13.3 Miscellaneous Services (Cont'd)

E13.3.5 Provision of Access Service Billing Information (Cont'd)

B. (Cont'd)

4. Additional copies of the customer previous monthly bill and/or customer service record will be provided via standard paper format up to 90 days on an individual case basis. Requests for additional copies of previous monthly bills up to 90 days must be submitted in writing and shall specify the bill dates requested. The charges for providing additional copies of previous monthly bills will be developed by the company on an individual case basis.

C. Upon acceptance by the Company of an order for electronic data transfer, the Company will determine the period of time to implement the transmission of such material on an individual case basis.

D. The following rates are applicable for the provision of Access Service Billing Information:

1. Electronic Data Transfer to customer premises of Billing Detail and/or Information

Per record transmitted	ICB
------------------------	-----

(T)

(D)

ACCESS SERVICE TARIFF

Embarq Florida, Inc. d/b/a CenturyLink  
By: Gary L. Kepley, Director

Fourth Revised Page 44 (T)  
Cancels Third Revised Page 44 (T)

Effective: January 15, 2017

E13. ADDITIONAL ENGINEERING, ADDITIONAL LABOR AND MISCELLANEOUS CHARGES

E13.3 Miscellaneous Services (Cont'd)

E13.3.5 Provision of Access Service Billing Information (Cont'd)

D. (Cont'd)

- 2. Additional copies of customer current or previous monthly bill and/or customer service record<sup>1</sup>.

	<u>Monthly Rate</u>	<u>Nonrecurring Charge</u>
Per account in Standard paper Format	\$3.60	\$6.60

E13.3.6 Protective Connecting Arrangements

See the Company's **Local Terms of Service** for Rates and Regulations. (T)

E13.3.7 Telecommunications Service Priority (TSP) System

A. Regulations

- 1. The TSP System was developed to satisfy the requirements of the National Communications System (NCS) of the Federal Government and provides the regulatory, administrative and operational procedures authorizing the priority installation and/or priority restoration of National Security Emergency Preparedness (NSEP) telecommunications services. TSP applies only to NSEP telecommunications services, and authorizes the Company to take priority action in the provision and restoration of such services.

(D)  
|  
(D)

Note<sup>1</sup>: See Section E107 for obsolete rates.

ACCESS SERVICE TARIFF

Embarq Florida, Inc.  
By: F. B. Poag, Director

First Revised Page 45  
Cancels Original Page 45

Effective: January 1, 1997

E13. ADDITIONAL ENGINEERING, ADDITIONAL LABOR AND MISCELLANEOUS CHARGES

E13.3 Miscellaneous Services (Cont'd)

E13.3.7 Telecommunications Service Priority (TSP) System (Cont'd)

A. Regulations (Cont'd)

2. Priority installation and/or priority restoration of NSEP telecommunications services shall be provided in accordance with Part 64.401, Appendix A, of the Federal Communications Commission's (FCC's) Rules and Regulations, and in accordance with the guidelines set forth in the Telecommunications Service priority (TSP) System for National Security Emergency Preparedness (NSEP) Service Vendor Handbook (NCS Handbook 3-1-2), dated July 11, 1989.
3. The customer requesting TSP service must be the same customer for which the associated telecommunications service is provided.
4. Certain conditions may require that one or more customer services with a lower or no restoration priority be preempted in order to install or restore NSEP telecommunications service(s) of a higher priority. When such preemption is necessary, the Company will make every reasonable effort to notify the preempted customer of the action to be taken. Credit allowances for such service preemption shall be made according to the provisions set forth in E2.4.4 preceding.
5. In obtaining TSP, the customer authorizes the Company to provide certain customer record information to the Manager, NCS, of the Federal Government so that the Government can maintain and administer its TSP System. This customer record information will include only the customer's name, TSP authorization code, Company circuit ID, customer telephone number and customer mailing address.

Tariff Page revised 6/5/2006 to reflect company name change from Sprint to Embarq.

ACCESS SERVICE TARIFF

Embarq Florida, Inc. d/b/a CenturyLink  
By: Gary L. Kepley, Director

Second Revised Page 46 (T)  
Cancels First Revised Page 46 (T)

Effective: January 15, 2017

E13. ADDITIONAL ENGINEERING, ADDITIONAL LABOR AND MISCELLANEOUS CHARGES

E13.3 Miscellaneous Services (Cont'd)

E13.3.7 Telecommunications Service Priority (TSP) System (Cont'd)

A. Regulations (Cont'd)

6. In order to provide priority restoration service in compliance with Part 64.401, Appendix A, of the FCC's Rules and Regulations, the Company may be unable to notify the customer in advance where additional labor charges apply, as set forth in E13.2 preceding, before the required additional labor is undertaken. The customer, in obtaining a restoration priority, recognizes that quoting charges and obtaining permission to proceed with the restoration of certain telecommunication services will cause unnecessary delays and, as a result, would be contrary to the aforementioned Rules and Regulations. In subscribing to TSP, the customer recognizes this condition and grants the Company the right to quote charges after the restoration has been completed.
7. When an assigned restoration priority is discontinued or revoked, and the associated telecommunications service is continued in service, no charge applies for such a discontinuance.
8. Credit allowance provisions for an interruption in priority restoration are the same as those for the telecommunications service **which it** is associated **with**, as set forth in E2.4.4 preceding. (T)  
(T)
9. In the event that the company must utilize specially constructed facilities in the priority installation of a service, the regulations, rates and charges set forth in E14 following, for the service for which priority installation **is required shall also apply.** (Z)  
(Z)

ACCESS SERVICE TARIFF

Embarq Florida, Inc.  
By: F. B. Poag, Director

First Revised Page 47  
Cancels Original Page 47

Effective: January 1, 1997

E13. ADDITIONAL ENGINEERING, ADDITIONAL LABOR AND MISCELLANEOUS CHARGES

E13.3 Miscellaneous Services (Cont'd)

E13.3.7 Telecommunications Service Priority (TSP) System (Cont'd)

A. Regulations (Cont'd)

10. The activities performed by the Company in the provision of TSP are included in the following rate elements:
  - a. Priority Installation - includes provision of confirmation information to the Manager, NCS, of the Federal Government, verification of TSP code assignments, and installation preemption, if necessary.
  - b. Priority Restoration Implementation - includes provision of confirmation information to the Manager, NCS, of the Federal Government and verification of TSP code assignment.
  - c. Priority Restoration Change - includes provision of confirmation information and TSP code verification when a priority restoration level is changed on an associated telecommunications service.
  - d. Priority Restoration Maintenance - includes TSP system administration and maintenance, reconciliation of TSP code levels, and restoration preemption, if necessary.
11. When TSP is provided in conjunction with services that are prorated between the interstate and intrastate jurisdictions, as set forth in E2.3.11, the PIU reported for the associated services will also apply to the requested TSP service.

Tariff Page revised 6/5/2006 to reflect company name change from Sprint to Embarq.



ACCESS SERVICE TARIFF

Embarq Florida, Inc.  
By: F. B. Poag, Director

Third Revised Page 48  
Cancels Second Revised Page 48

Effective: January 2, 2002

E13. ADDITIONAL ENGINEERING, ADDITIONAL LABOR AND MISCELLANEOUS CHARGES

E13.3 Miscellaneous Services (Cont'd)

E13.3.7 Telecommunications Service Priority (TSP) System (Cont'd)

B. Rates and Charges

The following rates and charges are in addition to all other rates and charges applicable for other services furnished under the provisions of this tariff which operate in conjunction with the TSP system. This includes, but is not limited to, Trouble Location Charges as set forth in E13.3.1 preceding.

- Per Circuit

	<u>Monthly Rates</u>	<u>Nonrecurring Charges</u>
1. Priority Installation <sup>1</sup>	None	\$85.00
2. Priority Restoration Implementation <sup>1</sup>	None	47.00
3. Priority Restoration Change	None	45.00
4. Priority Restoration Maintenance and Administration	\$6.00	None

Note<sup>1</sup>: When an access service is ordered with both Priority Installation and Priority Restoration Implementation, the associated nonrecurring charge for each applies.

Tariff Page revised 6/5/2006 to reflect company name change from Sprint to Embarq.

ACCESS SERVICE TARIFF

Embarq Florida, Inc.  
By: F. B. Poag, Director

Second Revised Page 49  
Cancels First Revised Page 49

Effective: August 8, 2000

E13. ADDITIONAL ENGINEERING, ADDITIONAL LABOR AND MISCELLANEOUS CHARGES

E13.3 Miscellaneous Services (Cont'd)

E13.3.7 Telecommunications Service Priority (TSP) System (Cont'd)

C. Rates and Charges - Central Telephone

1.	Priority Installation (PI) <sup>1</sup> Per circuit			
(a)	Prime vendor	None		\$83.00
(b)	Subcontractor	None		83.00
2.	Priority Restoration (PR) <sup>1</sup> , per circuit			
(a)	Level Implementation			
(1)	Prime vendor	None		64.00
(2)	Subcontractor	None		64.00
(b)	Level Change			
(1)	Prime vendor	None		64.00
(2)	Subcontractor	None		64.00
(c)	Administration/Maintenance			
(1)	Prime vendor	\$3.00		None
(2)	Subcontractor	3.00		None

Note<sup>1</sup>: TSP Authority Codes are not applicable to the Hub-to-Hub portion of a multipoint arrangement.

Tariff Page revised 6/5/2006 to reflect company name change from Sprint to Embarq.

ACCESS SERVICE TARIFF

Embarq Florida, Inc.  
By: F. B. Poag, Director

Second Revised Page 50  
Cancels First Revised Page 50

Effective: July 25, 2001

E13. ADDITIONAL ENGINEERING, ADDITIONAL LABOR AND MISCELLANEOUS CHARGES

E13.3 Miscellaneous Services (Cont'd)

E13.3.8 Reserved For Future Use

Tariff Page revised 6/5/2006 to reflect company name change from Sprint to Embarq.

ACCESS SERVICE TARIFF

Embarq Florida, Inc.  
By: F. B. Poag, Director

Second Revised Page 51  
Cancels First Revised Page 51

Effective: July 25, 2001

E13. ADDITIONAL ENGINEERING, ADDITIONAL LABOR AND MISCELLANEOUS CHARGES

E13.3 Miscellaneous Services (Cont'd)

E13.3.8 Reserved For Future Use

Tariff Page revised 6/5/2006 to reflect company name change from Sprint to Embarq.

ACCESS SERVICE TARIFF

Embarq Florida, Inc.  
By: F. B. Poag, Director

Second Revised Page 52  
Cancels First Revised Page 52

Effective: July 25, 2001

E13. ADDITIONAL ENGINEERING, ADDITIONAL LABOR AND MISCELLANEOUS CHARGES

E13.3 Miscellaneous Services (Cont'd)

E13.3.8 Reserved For Future Use

Tariff Page revised 6/5/2006 to reflect company name change from Sprint to Embarq.

ACCESS SERVICE TARIFF

Embarq Florida, Inc.  
By: F. B. Poag, Director

Second Revised Page 53  
Cancels First Revised Page 53

Effective: July 25, 2001

E13. ADDITIONAL ENGINEERING, ADDITIONAL LABOR AND MISCELLANEOUS CHARGES

E13.3 Miscellaneous Services (Cont'd)

E13.3.8 Reserved For Future Use

Tariff Page revised 6/5/2006 to reflect company name change from Sprint to Embarq.

ACCESS SERVICE TARIFF

Embarq Florida, Inc.  
By: F. B. Poag, Director

Second Revised Page 54  
Cancels First Revised Page 54

Effective: July 25, 2001

E13. ADDITIONAL ENGINEERING, ADDITIONAL LABOR AND MISCELLANEOUS CHARGES

E13.3 Miscellaneous Services (Cont'd)

E13.3.8 Reserved For Future Use

Tariff Page revised 6/5/2006 to reflect company name change from Sprint to Embarq.

ACCESS SERVICE TARIFF

Embarq Florida, Inc.  
By: F. B. Poag, Director

Second Revised Page 1  
Cancels First Revised Page 1

Effective: January 4, 1999

E14. SPECIAL CONSTRUCTION

CONTENTS

	<u>Page</u>
E14.1 Application	1
E14.1.1 General	1
E14.2 Regulations	2
E14.2.1 Filing of Charges	2
E14.2.2 Ownership of Facilities	2
E14.2.3 Interval to Provide Facilities	2
E14.2.4 Special Construction Involving Both Interstate and Intrastate Facilities	2
E14.2.5 Charges of Other Companies	3
E14.2.6 Credit Allowance for Service Interruptions	3
E14.2.7 Liabilities, Charges, and Payments for Special Construction	4
E14.2.8 Deferral of Start of Service	21
E14.2.9 Construction on Public Highways and Private Property	23
E14.2.10 Other Charges Applicable Under Special Construction	26
E14.2.11 Definitions	27
E14.3 Rates and Charges	29

Tariff Page revised 6/5/2006 to reflect company name change from Sprint to Embarq.



ACCESS SERVICE TARIFF

Embarq Florida, Inc.  
By: F. B. Poag, Director

First Revised Page 1  
Cancels Original Page 1

Effective: January 1, 1997

E14. SPECIAL CONSTRUCTION

E14.1 Application

E14.1.1 General

- A. Special construction consists of a series of tariff regulations that are designed to protect the Company from undue risk associated with specially constructed facilities and allows the Company to recover excessive investments incurred by the construction of facilities that will carry services currently offered on a general basis in a service tariff. These regulations are also designed to prevent undue subsidization of specially constructed facilities by the general body of ratepayers.
- B. This Section contains regulations, rates, charges and liabilities applicable for the special construction of facilities provided by the Company, which are used to provide intrastate services offered under this Tariff.
- C. When special construction of facilities is required, the provisions of this section apply in addition to all regulations, rates and charges set forth in other sections of this Tariff. All applicable provisions set forth in this tariff will be implemented by a written agreement prepared by the Company and signed by the customer.
- D. The term "customer", as used in this Tariff section only, refers to the party ordering the facilities that require special construction. A customer may be the IC or the End User.

Tariff Page revised 6/5/2006 to reflect company name change from Sprint to Embarq.

ACCESS SERVICE TARIFF

Embarq Florida, Inc.  
By: F. B. Poag, Director

Second Revised Page 2  
Cancels First Revised Page 2

Effective: January 4, 1999

E14. SPECIAL CONSTRUCTION

E14.2 Regulations

E14.2.1 Filing of Charges

Rates, charges and liabilities for special construction to provide facilities will be filed in E14.3 following, if required.

E14.2.2 Ownership of Facilities

Unless otherwise specified in this tariff, the Company retains ownership of all specially constructed facilities even though the customer may be required to pay special construction charges.

E14.2.3 Interval to Provide Facilities

Based on available information and the type of service ordered, the Company will establish an objective date for the installation of necessary facilities. The date will be established on an individual case basis and provided to the customer. The Company will make every reasonable effort to assure that the date is met. However, shortage of the components, personnel or other factors may lengthen the installation period. If the scheduled completion date cannot be met a new completion date will be established and the customer will be notified. The amount of interest accrued on all prepaid items will be credited to the customer's account for any delays that could have been circumvented by the Company.

E14.2.4 Special Construction Involving Both Interstate and Intrastate Facilities

When special construction involves facilities to be used to provide both interstate and intrastate service, charges for the portion of the construction used to provide intrastate service shall be in accordance with this Tariff. Charges for the portion of the construction used to provide interstate service shall be in accordance with the appropriate FCC Tariff.

Tariff Page revised 6/5/2006 to reflect company name change from Sprint to Embarq.

ACCESS SERVICE TARIFF

Embarq Florida, Inc.  
By: F. B. Poag, Director

First Revised Page 3  
Cancels Original Page 3

Effective: January 1, 1997

E14. SPECIAL CONSTRUCTION

E14.2 Regulations (Cont'd)

E14.2.5 Charges of Other Companies

Charges and/or maximum termination liabilities for special construction of facilities provided by another company are developed by the other company and may be applied by Embarq under this tariff on the other company's behalf.

E14.2.6 Credit Allowance for Service Interruptions

In the event of a service interruption involving a specially constructed facility, the customer shall receive a recurring monthly charge credit in accordance with the credit allowance provisions in E2.4.4 of this tariff.

When an interruption continues due to the failure of the customer to authorize the replacement of facilities subject to a Replacement Charge, as specified in E14.2.7.D.1.d. following, the credit allowance will be terminated on the seventh calendar day after the Company has provided the customer with written notification of the need for replacement. The credit allowance will resume on the day after the Company receives written authorization for the replacement from the customer.

Tariff Page revised 6/5/2006 to reflect company name change from Sprint to Embarq.

ACCESS SERVICE TARIFF

Embarq Florida, Inc.  
By: F. B. Poag, Director

First Revised Page 4  
Cancels Original Page 4

Effective: January 1, 1997

E14. SPECIAL CONSTRUCTION

E14.2 Regulations (Cont'd)

E14.2.7 Liabilities, Charges, and Payments for Special Construction

A. General

This section describes the various charges and liabilities that may apply when the Company provides special construction of facilities in accordance with an order for service or a forecast of facilities requirement. Written approval of all liabilities and charges must be provided to the Company prior to the start of construction.

Payment is due upon presentation of a bill for the specially constructed facilities. To safeguard its interests during construction, the Company will require the customer to make an advance payment for the portion of the estimated cost of the special construction for which the customer is subject to a nonrecurring charge. Partial payments will be requested as costs are incurred and will be credited to the customers account. No special construction charges paid to the Company are refundable except as provided under A.2. following.

When the facilities are provided, billing of recurring charges for specially constructed facilities starts on the contract service date or the in-service date, whichever is earlier. Billing accrues through and includes the day that the specially constructed facilities are discontinued. Monthly charges will normally be billed one month in advance.

The customer has the option of having the liabilities and charges billed based on either estimated or actual costs. Costs, as used in this context, may include one or more of the items specified in D.1. following. Estimated costs will be billed unless the customer notifies the Company of the selection of the actual cost option in writing prior to the start of special construction.

Tariff Page revised 6/5/2006 to reflect company name change from Sprint to Embarq.

ACCESS SERVICE TARIFF

Embarq Florida, Inc.  
By: F. B. Poag, Director

First Revised Page 5  
Cancels Original Page 5

Effective: January 1, 1997

E14. SPECIAL CONSTRUCTION

E14.2 Regulations (Cont'd)

E14.2.7 Liabilities, Charges, and Payments for Special Construction  
(Cont'd)

A. General (Cont'd)

1. Under the estimated cost option, special construction liabilities and charges are developed based on estimated costs and will be specified in the written agreement between the customer and the Company.
2. Under the actual cost option, if all actual costs are not available prior to the start of service, estimated special construction charges will be specified in the written agreement between the customer and the Company. As soon as the actual costs, including costs of preparation and processing are subsequently determined, the estimated charges will be adjusted to reflect the actual costs.

B. Conditions Requiring Special Construction

Special construction is required when 1) suitable facilities are not available to meet an order for service, and 2) the Company constructs facilities, and 3) one or more of the following conditions exist:

1. The Company has no other requirement for the facilities constructed at the customer's request.
2. The customer requests that service be furnished using a type of facility, or via a route, other than that which the Company would normally utilize in furnishing the requested service.
3. The customer requests the construction of more facilities than required to satisfy his initial order for service; and submits a mutually agreed upon facility forecast.
4. It is requested that construction be expedited, resulting in added cost to the Company.
5. The customer requests that temporary facilities be constructed.

Tariff Page revised 6/5/2006 to reflect company name change from Sprint to Embarq.

ACCESS SERVICE TARIFF

Embarq Florida, Inc.  
By: F. B. Poag, Director

First Revised Page 6  
Cancels Original Page 6

Effective: January 1, 1997

E14. SPECIAL CONSTRUCTION

E14.2 Regulations (Cont'd)

E14.2.7 Liabilities, Charges, and Payments for Special Construction  
(Cont'd)

C. Development of Liabilities and Charges

Special construction charges and liabilities will be developed based on estimated costs, except when actual costs are requested in writing prior to the start of special construction. In order to meet a scheduled service date when actual costs are requested, an initial special construction case may be prepared based on estimated costs. Such a case will be revised when actual costs are available.

D. Types of Liabilities and Charges

Depending on the specifics associated with each individual case, one or more of the following special construction charges and/or liabilities may be applicable:

1. Nonrecurring Charge (NRC)

A nonrecurring charge always applies and includes one or more of the following components:

a. Case Preparation Charge

A nonrecurring charge always includes a case preparation charge component to cover the administrative expenses associated with preparing special construction case.

b. Expediting Charge

A nonrecurring charge may include an expediting charge when it is requested that special construction be completed on an expedited basis. The charge equals the difference in estimated cost between expedited and non-expedited construction.

Tariff Page revised 6/5/2006 to reflect company name change from Sprint to Embarq.

ACCESS SERVICE TARIFF

Embarq Florida, Inc.  
By: F. B. Poag, Director

First Revised Page 7  
Cancels Original Page 7

Effective: January 1, 1997

E14. SPECIAL CONSTRUCTION

E14.2 Regulations (Cont'd)

E14.2.7 Liabilities, Charges, and Payments for Special Construction (Cont'd)

D. Types of Liabilities and Charges (Cont'd)

1. Nonrecurring Charge (NRC) (Cont'd)

c. Optional Payment

An optional payment charge may be included in the nonrecurring charge in association with a type of facility or route other than that which the Company would normally use in furnishing the requested service if lower recurring monthly charges are desired for the specially constructed facilities. This charge is equal to the excess installed cost or the total nonrecoverable cost, whichever is less. This election must be made in writing, before special construction starts. If this election is coupled with the actual cost option, the optional payment charge will reflect the actual cost of the specially constructed facilities.

d. Replacement Charge

If any portion of specially constructed facilities for which an optional payment charge has been paid requires replacement involving capital investment, a replacement charge will apply. This charge will be in the same ratio to the total replacement cost as the initial optional payment charge was to the installed cost of the original specially constructed facilities. If any portion of the facilities subject to the replacement charge fails, service will not be restored until notification is provided in writing that replacement is required and such replacement is ordered.

Tariff Page revised 6/5/2006 to reflect company name change from Sprint to Embarq.

ACCESS SERVICE TARIFF

Embarq Florida, Inc.  
By: F. B. Poag, Director

First Revised Page 8  
Cancels Original Page 8

Effective: January 1, 1997

E14. SPECIAL CONSTRUCTION

E14.2 Regulations (Cont'd)

E14.2. Liabilities, Charges, and Payments for Special Construction  
(Cont'd)

D. Types of Liabilities and Charges (Cont'd)

1. Nonrecurring Charges (NRC) (Cont'd)

e. Rearrangement Charge

If the Company is requested to rearrange existing specially constructed facilities, a nonrecurring charge component equal to the cost of any additional special construction will apply.

f. Special Construction of Facilities for Use for less than One Month

When the Company is requested to construct facilities to provide service for less than one month, only a nonrecurring charge applies. In addition to the case preparation charge component, this nonrecurring charge recovers all elements of cost, including engineering, shipping of equipment, equipment installation, line-up, equipment leasing, space rental, equipment removal, and any other costs associated with the construction of the facilities.

g. Termination Charge

A termination charge applies when service provided on specially constructed facilities, which have specified Maximum Termination Liabilities (MTLs), is discontinued at the customer's request prior to the expiration of the liability period unless otherwise specified in the written agreement.

Tariff Page revised 6/5/2006 to reflect company name change from Sprint to Embarq.



ACCESS SERVICE TARIFF

Embarq Florida, Inc.  
By: F. B. Poag, Director

Second Revised Page 9  
Cancels First Revised Page 9

Effective: January 4, 1999

E14. SPECIAL CONSTRUCTION

E14.2 Regulations (Cont'd)

E14.2.7 Liabilities, Charges, and Payments for Special Construction  
(Cont'd)

D. Types of Liabilities and Charges (Cont'd)

1. Nonrecurring Charges (NRC) (Cont'd)

h. Supporting Structures on Private Property

These charges, when applicable as specified in E14.2.9.B, include the costs of planning and building supporting structure on private property. Supporting structure includes poles, conduit, trenching, backfilling and associated costs. In cases where the customer or property owner is unable to provide the structure, the Company, at its discretion, will perform the work and bill the customer or property owner. Ownership and maintenance of supporting structures on private property is vested in the customer or property owner.

i. Service Entrance Facilities

Entrance facilities include all cable and wire required to reach the normal network interface. When, at the request of the property owner or customer, a special route, network location, network arrangement or duplicate facility is required, an NRC will apply. The charge will be equal to the additional cost above that which would have normally been incurred if the special route, location or arrangement was not required.

Tariff Page revised 6/5/2006 to reflect company name change from Sprint to Embarq.

ACCESS SERVICE TARIFF

Embarq Florida, Inc.  
By: F. B. Poag, Director

First Revised Page 10  
Cancels Original Page 10

Effective: January 1, 1997

E14. SPECIAL CONSTRUCTION

E14.2 Regulations (Cont'd)

E14.2.7 Liabilities, Charges, and Payments for Special Construction  
(Cont'd)

D. Types of Liabilities and Charges (Cont'd)

1. Nonrecurring Charges (NRC) (Cont'd)

j. Temporary Facilities

1) Special Construction is considered to be  
"temporary" if one of the following conditions  
exist:

a) The facilities are constructed to  
provide service to a customer for less  
than the minimum service period or less  
than one month, whichever is longer.

b) The facilities are constructed and it is  
known in advance that the newly placed  
plant will be relocated or removed prior  
to the end of the normal service life of  
the plant.

Tariff Page revised 6/5/2006 to reflect company name change from Sprint to Embarq.

ACCESS SERVICE TARIFF

Embarq Florida, Inc.  
By: F. B. Poag, Director

First Revised Page 11  
Cancels Original Page 11

Effective: January 1, 1997

E14. SPECIAL CONSTRUCTION

E14.2 Regulations (Cont'd)

E14.2.7 Liabilities, Charges, and Payments for Special Construction (Cont'd)

D. Types of Liabilities and Charges (Cont'd)

1. Nonrecurring Charges (NRC) (Cont'd)

j. Temporary Facilities (Cont'd)

- 2) If a customer desires to change the service requested from temporary to permanent, such a change will be permitted if the request is made before any initial payment for the temporary service is received by the Company. The customer is liable for any NRCs for the construction of temporary facilities that cannot be reused or transferred to the permanent facilities. If the permanent facilities cannot be reused, then a contract for underutilization and maximum termination charge will apply for the permanent facilities in addition to quotation and/or case preparation charges, and any recurring charges associated with the special construction.
- 3) The NRC for temporary facilities includes all nonrecoverable costs associated with the placement and removal of such facilities.

2. Maximum Termination Liability and Termination Charge

In special construction cases that involve recurring charges, as described in D.4. following, one or both of two categories of contingent liabilities will apply. These liabilities, Maximum Termination Liability (MTL) and Underutilization Liability (UL) are described as follows:

A Maximum Termination Liability is equal to the nonrecoverable costs associated with specially constructed facilities and is the maximum amount which could be applied as a Termination Charge if all specially constructed facilities were discontinued before the Maximum Termination Liability expires.

Tariff Page revised 6/5/2006 to reflect company name change from Sprint to Embarq.

ACCESS SERVICE TARIFF

Embarq Florida, Inc.  
 By: F. B. Poag, Director

First Revised Page 12  
 Cancels Original Page 12

Effective: January 1, 1997

E14. SPECIAL CONSTRUCTION

E14.2 Regulations (Cont'd)

E14.2.7 Liabilities, Charges, and Payments for Special Construction  
 (Cont'd)

D. Types of Liabilities and Charges (Cont'd)

2. Maximum Termination Liability and Termination Charge  
 (Cont'd)

The liability period is equal to the average life of the account associated with the specially constructed facilities. The liability period is generally expressed in terms of an effective and expiration date.

A Termination Charge may apply when all services using specially constructed facilities which have a tariffed Maximum Termination Liability are discontinued prior to the expiration of the liability period. The charge reflects the unamortized portion of the nonrecoverable costs at the time of termination, adjusted for net salvage and possible reuse. Administrative costs associated with the specific case of special construction and any cost for restoring a location to its original condition are also included. A Termination Charge may never exceed the set Maximum Termination Liability.

The Maximum Termination Liability is set with the initial case preparation in decreasing amounts at ten-year intervals over the average account life of the facilities. In the event that the average account life of the facilities is not an even multiple of ten, the last increment will reflect the appropriate number of years remaining.

The following is an example illustrating a 27-year Average Account Life.

Maximum Termination Liability	Effective Date	Expiration Date
\$10,000	6/1/84	6/1/94
7,000	6/1/94	6/1/04
3,000	6/1/04	6/1/11

Tariff Page revised 6/5/2006 to reflect company name change from Sprint to Embarq.

ACCESS SERVICE TARIFF

Embarq Florida, Inc.  
By: F. B. Poag, Director

First Revised Page 13  
Cancels Original Page 13

Effective: January 1, 1997

E14. SPECIAL CONSTRUCTION

- E14.2 Regulations (Cont'd)
- E14.2.7 Liabilities, Charges, and Payments for Special Construction (Cont'd)
- D. Types of Liabilities and Charges (Cont'd)
  - 2. Maximum Termination Liability and Termination Charge (Cont'd)

Prior to the expiration of each liability period, the customer has the option to terminate the special construction case and pay the appropriate charges, or extend the use of the specially constructed facilities for the new liability period.

The Company will notify the customer six months in advance of the expiration date of each ten-year liability period. The customer must provide the Company with written notification at least 30 days prior to the expiration of the liability period if termination is elected. Failure to do so will result in an automatic extension of the special construction case to the next liability period at the set Maximum Termination Liability amount.

A partial termination of specially constructed facilities will be provided, at the election of the customer. The amount of Termination Charge associated with such partial termination is determined by multiplying the termination charge which would result if all services using the specially constructed facilities were discontinued, at the time partial termination is elected, by the percentage of specially constructed facilities to be partially terminated. A case revision will be made following a partial termination to list remaining maximum Termination Liability amounts and the number of specially constructed facilities the customer will remain liable for.

The following is an example:  
A customer with a filed Maximum Termination Liability of \$100,000 for 3600 specially constructed facilities requests a partial termination of 900 facilities. The Termination Charge for all facilities, at the time of election, is \$60,000. The partial termination charge, in this example, is \$60,000 x 900/3600, or \$15,000.

Tariff Page revised 6/5/2006 to reflect company name change from Sprint to Embarq.

ACCESS SERVICE TARIFF

Embarq Florida, Inc.  
By: F. B. Poag, Director

First Revised Page 14  
Cancels Original Page 14

Effective: January 1, 1997

E14. SPECIAL CONSTRUCTION

E14.2 Regulations (Cont'd)

E14.2.7 Liabilities, Charges, and Payments for Special Construction  
(Cont'd)

D. Types of Liabilities and Charges (Cont'd)

3. Annual Underutilization Liability and Underutilization Charge

Prior to the start of special construction, the Company and the customer will agree on the quantity of facilities to be provided, and the length of the planning period during which the customer expects to place the facilities in service. The planning period is hereinafter referred to as the Initial Liability Period (ILP). The ILP is listed in the prepared case with both an effective and expiration date.

Underutilization occurs only if, at the expiration date of the ILP and annually thereafter, less than 70 percent of the specially constructed facilities are in service at established tariff service rates.

An annual underutilization liability amount is established on a per unit basis (e.g., per cable pair) for each case of special construction. This amount is equal to the annual per unit cost and includes depreciation, maintenance, administration, return, taxes and any other costs identified in the supporting documentation provided at the time the special construction case is filed.

Upon the expiration of the ILP, the number of underutilized facilities, if any, are multiplied by the annual underutilization liability amount. This product is then multiplied by the number of years (including any fraction thereof) in the ILP to determine the underutilization charge.

Annually thereafter, the number of underutilized facilities, if any, existing on the anniversary of the ILP expiration date will be multiplied by the annual underutilization liability amount to determine the underutilization charge for the preceding 12 month period.

Tariff Page revised 6/5/2006 to reflect company name change from Sprint to Embarq.

ACCESS SERVICE TARIFF

Embarq Florida, Inc.  
By: F. B. Poag, Director

First Revised Page 15  
Cancels Original Page 15

Effective: January 1, 1997

E14. SPECIAL CONSTRUCTION

E14.2 Regulations (Cont'd)

E14.2.7 Liabilities, Charges, and Payments for Special Construction  
(Cont'd)

D. Types of Liabilities and Charges (Cont'd)

3. Annual Underutilization Liability and Underutilization  
Charge (Cont'd)

The following is an example:

A customer orders 100 services and the special construction of a 600 pair building riser cable is agreed to, based on the customer's 5 year facility requirements.

The ILP, in this example, would be filed at 5 years. The annual underutilization liability is filed at \$2.00 per pair. If 400 pairs were in service at the end of the ILP, there would be an underutilization of 20 pairs, i.e.,  $420$  (70% of 600) - 400 = 20. The total underutilization charge for the first 5 years would be \$200.00, or \$2.00 per pair x 20 pairs x 5 years. If 420 pairs are in service at the end of the 6th year, there is no underutilization, i.e.,  $420 - 420 = 0$ .

Pair Equivalents

Where the AUL for special construction facility is stated on a "per pair" basis, and the facility has been designed to provide high capacity transmission, credit will be given as described following for pair equivalents when calculating utilization on that facility. If the AUL for the facility is stated on a "per pair equivalent" basis, the pair equivalents described following will also apply.

Tariff Page revised 6/5/2006 to reflect company name change from Sprint to Embarq.

ACCESS SERVICE TARIFF

Embarq Florida, Inc.  
By: F. B. Poag, Director

First Revised Page 16  
Cancels Original Page 16

Effective: January 1, 1997

E14. SPECIAL CONSTRUCTION

- E14.2 Regulations (Cont'd)
- E14.2.7 Liabilities, Charges, and Payments for Special Construction (Cont'd)

- 4. Types of Liabilities and Charges (Cont'd)
  - 3. Annual Underutilization Liability and Underutilization Charge (Cont'd)

Pair Equivalents on Non-Leased High Capacity Transmission Systems

For non-leased high capacity transmission systems, i.e., where the Company has designed the specially constructed facility for high capacity transmission but the customer continues to pay for individual channels, pair equivalent credit will be given for each working channel. When calculating utilization, the Company will determine the number of two-wire equivalent and four-wire equivalent channels provided on the specially constructed facility. Two-wire equivalent channels will be credited toward the customer's utilization as one working pair, and four-wire equivalent channels will be credited toward the customer's utilization as two working pairs.

Tariff Page revised 6/5/2006 to reflect company name change from Sprint to Embarq.



ACCESS SERVICE TARIFF

Embarq Florida, Inc.  
By: F. B. Poag, Director

First Revised Page 17  
Cancels Original Page 17

Effective: January 1, 1997

E14. SPECIAL CONSTRUCTION

E14.2 Regulations (Cont'd)

E14.2.7 Liabilities, Charges, and Payments for Special Construction  
(Cont'd)

D. Types of Liabilities and Charges (Cont'd)

3. Annual Underutilization Liability and Underutilization  
Charge (Cont'd)

Pair Equivalents Example with Non-Leased High Capacity  
Transmission Systems

A customer agrees to the special construction of a 400 pair copper cable, based on the customer's five year facility requirements. The ILP would be set at five years. The customer's utilization requirement is 280 pairs (70 percent of 400 = 280). The annual underutilization liability is set at \$2.00 per pair. At the end of the ILP, the customer has 230 pairs in service. Two of the working pairs have been conditioned for T-Carrier, and the customer is paying for individual voice grade channels being provided over the conditioned pairs. The customer is paying for 6 two-wire circuits, and for 8 four-wire circuits being provided on the conditioned pairs. Counting the two-wire circuits as equivalent to one pair each, and the four wire circuits as equivalent to two pairs each, and subtracting the two pairs used to provide the high capacity transmission, the customer is utilizing the equivalent of 250 pairs, i.e.  $(230 + (6 \times 1) + (8 \times 2) - 2 = 250)$ . There is an underutilization of 30 pairs. The total underutilization charge for the first five years would be \$300.00, or \$2.00 per pair x 30 pairs x 5 years.

In this example, if 280 pairs (including pair equivalents) are in service at the end of the sixth year, there is no underutilization.

Tariff Page revised 6/5/2006 to reflect company name change from Sprint to Embarq.

ACCESS SERVICE TARIFF

Embarq Florida, Inc.  
By: F. B. Poag, Director

First Revised Page 18  
Cancels Original Page 18

Effective: January 1, 1997

E14. SPECIAL CONSTRUCTION

E14.2 Regulations (Cont'd)

E14.2.7 Liabilities, Charges, and Payments for Special Construction  
(Cont'd)

D. Types of Liabilities and Charges (Cont'd)

3. Annual Underutilization Liability and Underutilization  
Charge (Cont'd)

Pair Equivalents on Leased High Capacity Services

Where the customer leases a high capacity service provided on a specially constructed facility, and the AUL for that facility is stated on a "per pair" or "per pair equivalent" basis, utilization credit will be given based on the DSO level channel capacity of the leased service. A DS1 service will be credited as 24 pair equivalents.

Pair Equivalents Example with Leased High Capacity Service

A customer agrees to the special construction of a 400 pair copper cable, based on the customer's five year facility requirements. The ILP would be set at five years. The customer's utilization requirement is 280 pairs (70 percent of 400 = 280).

The annual under-utilization liability is set at \$2.00 per pair. At the end of the ILP, the customer has 230 pairs in service. Two of the working pairs have been conditioned for T-Carrier, and the customer is leasing a DS1 high capacity service being provided over the conditioned pairs.

Counting the DS1 high capacity service as 24 pair equivalents, and subtracting the two pairs used to provide the high capacity transmission, the customer receives utilization credit for 252 pairs, i.e.,  $(230 + 24 - 2 = 252)$ . There is an underutilization of 28 pairs. The total underutilization charge for the first five years would be \$280.00, or \$2.00 per pair x 28 pairs x 5 years.

In this example, if 280 pairs (including pair equivalents) are in service at the end of the sixth year, there is no underutilization.

Tariff Page revised 6/5/2006 to reflect company name change from Sprint to Embarq.

ACCESS SERVICE TARIFF

Embarq Florida, Inc.  
By: F. B. Poag, Director

First Revised Page 19  
Cancels Original Page 19

Effective: January 1, 1997

E14. SPECIAL CONSTRUCTION

E14.2 Regulations (Cont'd)

E14.2.7 Liabilities, Charges, and Payments for Special Construction  
(Cont'd)

D. Types of Liabilities and Charges (Cont'd)

4. Recurring Monthly Charges

a. Charge for Route or Type Other Than Normal

When special construction is requested using a route or type of facility other than that which the Company would normally use, a recurring monthly charge, in addition to the monthly rates for service, is applicable. The charge is equal to the difference between the recurring costs of the specially constructed facilities and the recurring costs of the facilities the Company would have normally used. The charge will be no greater than the recurring costs of the specially constructed facilities. If the customer has elected the actual cost option, the recurring charge will be adjusted to reflect the actual cost of the new construction when the cost is determined. This adjusted recurring charge is applicable from the start of service.

- 1) When an Optional Payment Charge as set forth in D.1.c preceding has been elected, the recurring monthly charge will be reduced to include specially constructed facility operating expenses only.
- 2) If the actual cost option as set forth in D.1.c. preceding has been elected, the recurring charge will be adjusted to reflect the actual cost of the new construction when the costs have been determined. This adjusted recurring charge is applicable from the start of service.

Tariff Page revised 6/5/2006 to reflect company name change from Sprint to Embarq.

ACCESS SERVICE TARIFF

Embarq Florida, Inc.  
By: F. B. Poag, Director

Second Revised Page 20  
Cancels First Revised Page 20

Effective: January 4, 1999

E14. SPECIAL CONSTRUCTION

E14.2 Regulations (Cont'd)

E14.2.7 Liabilities, Charges, and Payments for Special Construction  
(Cont'd)

D. Types of Liabilities and Charges (Cont'd)

5. Lease Charge

This charge applies when the Company leases equipment in order to meet service requirements. The amount of the charge is equal to the net added cost to the Company caused by the lease.

6. Cancellation Charge

If a service order with which special construction is associated is canceled prior to the start of service, a cancellation charge will apply. The charge will include all nonrecoverable costs incurred by the Company up to and including the time of cancellation.

7. Excess Costs

When a customer requests service that involves extraordinary conditions or circumstances as specified in (C) E14.2.7.B then a monthly recurring charge is applicable as (C) specified in E14.2.10 following.

8. Underutilization Charge

This charge will apply at the end of the Initial Liability Period (ILP) if less than 70% of the cable pairs placed is being utilized. The charges are calculated as outlined in E14.2.7.D.3.

Tariff Page revised 6/5/2006 to reflect company name change from Sprint to Embarq.

ACCESS SERVICE TARIFF

Embarq Florida, Inc.  
By: F. B. Poag, Director

First Revised Page 21  
Cancels Original Page 21

Effective: January 1, 1997

E14. SPECIAL CONSTRUCTION

E14.2 Regulations (Cont'd)

E14.2.7 Liabilities, Charges, and Payments for Special Construction  
(Cont'd)

D. Types of Liabilities and Charges (Cont'd)

9. Excess Capacity Charge

This charge applies when the customer requests more cable pairs to be placed than is required to satisfy the demand projected in the Initial Liability Period (ILP).

The charge is based on the estimated cost per cable pair times the excess number of cable pairs requested. The charge applies monthly beginning with the contract service date until the customer orders service to be activated or 70% of the cable pairs placed. The excess capacity charge will not apply to cable pairs identified in the forecasted amount.

E14.2.8 Deferral of Start of Service

The Company may be requested to defer the start of service which will use specially constructed facilities subject to the provisions as set forth in the rate regulations of the service being provided. Requests for special construction deferral must be in writing and are subject to the following regulations:

A. Construction Has Not Begun

If the Company has not incurred any installation costs before receiving a request for deferral, no charge applies.

Tariff Page revised 6/5/2006 to reflect company name change from Sprint to Embarq.

ACCESS SERVICE TARIFF

Embarq Florida, Inc.  
By: F. B. Poag, Director

First Revised Page 22  
Cancels Original Page 22

Effective: January 1, 1997

E14. SPECIAL CONSTRUCTION

E14.2 Regulations (Cont'd)

E14.2.8 Deferral of Start of Service (Cont'd)

B. Construction Has Begun

If the construction of facilities has begun before the Company receives a request for deferral, charges will vary as follows:

1. All Services Are Deferred

When all services which will use specially constructed facilities are deferred, a charge based on the costs incurred by the Company during each month of the deferral will apply. Those costs include the recurring costs for that portion of the facilities already completed and any other costs associated with the deferral. The quotation charge and cost of any components of the nonrecurring charge which have been completed at the time of deferral will also apply.

2. Some Services Are Deferred

When some services which will use the specially constructed facilities are deferred, the special construction case will be completed and all special construction charges will apply.

C. Construction Complete

If the construction of facilities has been completed before the Company receives a request for deferral, all special construction charges will apply.

Tariff Page revised 6/5/2006 to reflect company name change from Sprint to Embarq.

ACCESS SERVICE TARIFF

Embarq Florida, Inc.  
By: F. B. Poag, Director

Second Revised Page 23  
Cancels First Revised Page 23

Effective: January 4, 1999

E14. SPECIAL CONSTRUCTION

E14.2 Regulations (Cont'd)

E14.2.9 Construction on Public Highways and Private Property

A. Construction on Public Highways or Public Rights-of-Way

1. No special construction is applicable for the reasonable provision of new network distribution facilities where the facilities are used for customers in general. However, if the provision of such facilities is determined to be unreasonable by the Company, then special construction charges will apply.
2. Where facilities are used to serve an individual customer, the customer may be required to pay recurring and/or nonrecurring construction charges.
3. If special construction is required and the Company determines that the construction costs are excessive or unreasonable, the excess construction costs will be proportionally charged to all customers served by the line extension as specified in E14.1.1.C.
4. Ownership and maintenance of such facilities is vested in the Company.

Tariff Page revised 6/5/2006 to reflect company name change from Sprint to Embarq.

ACCESS SERVICE TARIFF

Embarq Florida, Inc.  
By: F. B. Poag, Director

Second Revised Page 24  
Cancels First Revised Page 24

Effective: January 4, 1999

E14. SPECIAL CONSTRUCTION

E14.2 Regulations (Cont'd)

E14.2.9 Construction on Public Highways and Private Property (Cont'd)

B. Construction on Private Property Across Which Rights-of-Way and Easements Satisfactory to the Company are Provided Without Cost to the Company.

1. No special construction is applicable for the provision of new network distribution facilities where the facilities are used for customers in general if the Company determines that the cost of construction is not excessive or unreasonable. When facilities are used to serve an individual customer, or if construction costs to serve two or more customers are excessive or unreasonable, the customer(s) will be required to pay recurring and/or nonrecurring construction charges. Ownership and maintenance of such circuits on private property is vested in the Company.
  2. Supporting structures on private property beyond a mutually agreeable terminating point is the responsibility of the customer.
  3. Requests for moves and rearrangements of poles, cables, and distribution terminals will be accommodated on the basis of cost.

Tariff Page revised 6/5/2006 to reflect company name change from Sprint to Embarq.



ACCESS SERVICE TARIFF

Embarq Florida, Inc.  
By: F. B. Poag, Director

Second Revised Page 25  
Cancels First Revised Page 25

Effective: January 4, 1999

E14. SPECIAL CONSTRUCTION

E14.2 Regulations (Cont'd)

E14.2.9 Construction on Public Highways and Private Property (Cont'd)

B. (Cont'd)

4. Service Charges as specified in this tariff will apply to moves or rearrangements of facilities. Moves and rearrangements exceeding these limitations will be accommodated on the basis of cost.
5. The regulations for extending service onto residential and commercial properties are detailed following. Where a building or property is mixed residential/commercial, the rules for commercial property will apply.

a. Residential Properties

- 1) In areas where buried service is normally furnished by the Company, the Company will open and close necessary trenches providing that suitable easements and rights-of-way are obtained at no cost to the Company; or, the customer(s) or property owner(s) may open and close the trench to the specifications of the Company.
- 2) In areas where aerial service is normally furnished by the Company, the Company will provide all poles necessary for the provision of basic exchange service, subject to 1) preceding, or the customer(s) or property owner(s) may provide poles to the specifications of the Company.
- 3) In lieu of buried service, in areas where buried service is normally furnished by the Company, the customer(s) or property owner(s) may provide a conduit, equipped with pullwire, to a service point designated by the Company.
- 4) In cases where the customer(s) or property owner(s) requests service in other than the normal manner (i.e., buried in an aerial service area), excess costs to provide service will be billed to the person(s) requesting service.

Tariff Page revised 6/5/2006 to reflect company name change from Sprint to Embarq.

ACCESS SERVICE TARIFF

Embarq Florida, Inc.  
By: F. B. Poag, Director

Second Revised Page 26  
Cancels First Revised Page 26

Effective: January 4, 1999

E14. SPECIAL CONSTRUCTION

E14.2 Regulations (Cont'd)

E14.2.9 Construction on Public Highways and Private Property (Cont'd)

B. 5. (Cont'd)

b. Commercial Properties

- 1) Property owners and/or customers are responsible for the provision of an underground conduit system from a service point designated by the Company to a mutually agreeable termination point inside commercial buildings. The entrance conduit system will include the necessary handholes, pullboxes, pullwires, manholes and other associated structure to enable the Company to install the cable or wire.
- 2) Where the terrain or other conditions are such that, in the judgement of the Company, a conduit system will not serve as a feasible entrance method, the property owner or customer may open and close a trench to the specifications of the Company; or, at the customer's request and Company's discretion, the Company will perform the trenching work and apply appropriate special construction charges.
- 3) In areas served by aerial cable, the Company will provide all necessary poles, subject to 1) preceding.

E14.2.10 Other Charges Applicable Under Special Construction

- A. All regulations, rates, charges, and liabilities applicable for Additional Engineering, Additional Labor and Miscellaneous Charges can be found in E13. preceding.
- B. All regulations, rates, charges, and liabilities applicable for Special Service Arrangements can be found in E12. preceding.
- C. All regulations, rates, charges, and liabilities applicable for Contract Service Arrangements can be found in E12.3 preceding.

Tariff Page revised 6/5/2006 to reflect company name change from Sprint to Embarq.

ACCESS SERVICE TARIFF

Embarq Florida, Inc.  
By: F. B. Poag, Director

Second Revised Page 27  
Cancels First Revised Page 27

Effective: January 4, 1999

E14. SPECIAL CONSTRUCTION

E14.2 Regulations (Cont'd)

E14.2.11 Definitions

**ACTUAL COST** - all costs charged against a specific case of special construction, including any appropriate taxes.

**ANNUAL UNDERUTILIZATION LIABILITY** - a per unit amount which may be billed annually if fewer services are in use utilizing specially constructed facilities than were originally specially constructed.

**AVERAGE ACCOUNT LIFE** - the depreciation life prescribed by the Public Service Commission for each class of telephone plant.

**ESTIMATED COST** - all estimated costs that will be incurred in providing a specific case of special construction, including any appropriate taxes.

**EXCESS CAPACITY** - a quantity of facilities requested by a customer which is greater than that which the Company would construct to fulfill the customer's order for service.

**FACILITIES** - any cable, poles, conduit, microwave or carrier equipment, wire center distribution frames, central office switching equipment, etc., utilized to provide the services offered under this tariff or the services provided by a customer for his own use.

**FIVE (5) YEAR FORECAST** - a projection of the maximum number of facilities the customer will require over a five year period that is mutually agreed upon by the customer and the Company. This is normally the Initial Liability Period.

**INITIAL LIABILITY PERIOD - (ILP)** a written agreement with the Company and the customer on the quantity of facilities to be provided and the length of time in which the customer expects to place specially constructed facilities in service.

**INSTALLED COST** - the total investment (estimated or actual) required by the company to provide specially constructed facilities.

Tariff Page revised 6/5/2006 to reflect company name change from Sprint to Embarq.

ACCESS SERVICE TARIFF

Embarq Florida, Inc.  
By: F. B. Poag, Director

Second Revised Page 28  
Cancels First Revised Page 28

Effective: January 4, 1999

E14. SPECIAL CONSTRUCTION

E14.2 Regulations (Cont'd)

E14.2.11 Definitions (Cont'd)

**MAXIMUM TERMINATION LIABILITY (MTL) CHARGE** - the maximum amount of money for which the customer is liable in the event all services or facilities ordered in a special construction case are discontinued before a specified period of time.

**MAXIMUM TERMINATION LIABILITY (MTL) PERIOD** - the length of time the customer is liable for a termination charge in the event the specially constructed facilities are terminated. The MTL period is equal to the average account life of the telephone facilities provided. When the construction involves multiple classes of plant with differing lives, the MTL Period is equal to the weighted average of the account lives involved in the special construction case.

**NET SALVAGE** - the estimated scrap, sale, or trade-in value, less the estimated cost of removal. Cost of removal includes the costs of demolishing, tearing down, removing, or otherwise disposing of the material and any other applicable costs. Because the cost of removal may exceed salvage value, net salvage may be negative.

**NONRECOVERABLE COST** - the cost of specially constructed facilities for which the Company has no foreseeable use should the service be terminated.

**NORMAL CONSTRUCTION** - all facilities the Company would normally use to provide service in the absence of a requirement for special construction.

**NORMAL COST** - the estimated cost to provide services using normal construction.

**OTHER TELEPHONE COMPANY** - a local exchange company that is not Embarq Florida, Inc. but which will participate in provisioning that portion of specially constructed facilities residing in that other company's serving territory.

Tariff Page revised 6/5/2006 to reflect company name change from Sprint to Embarq.

ACCESS SERVICE TARIFF

Embarq Florida, Inc.  
By: F. B. Poag, Director

Second Revised Page 29  
Cancels First Revised Page 29

Effective: January 4, 1999

E14. SPECIAL CONSTRUCTION

E14.2 Regulations (Cont'd)

E14.2.11 Definitions (Cont'd)

**PERMANENT FACILITIES** - facilities that are expected to remain in place for the normal service life of the plant.

**RECOVERABLE COST** - the cost of the specially constructed facilities for which the Company has a foreseeable reuse, either in place or elsewhere, should the service be terminated.

**SPECIAL CONSTRUCTION** - a series of tariff regulations that are designed to protect the Company from undue risk associated with specially constructed facilities and allows the Company to recover excessive investments incurred by the construction of facilities that will carry services currently offered on a general basis in a service tariff. These regulations are also designed to prevent undue subsidizations of specially constructed facilities by the general body of ratepayers.

**SUBSCRIBERS IN GENERAL** - as used in this tariff, is to be interpreted to include those cases where new construction is required to serve two or more customers.

**TEMPORARY FACILITIES** - facilities used to provide service to a customer where it is known before installation of the newly placed facility that the facilities will be relocated or removed prior to the normal service life of the plant.

**TERMINATION CHARGE** - the portion of the Maximum Termination Liability that is applied as a nonrecurring charge when all services are discontinued prior to the expiration of the specified liability period.

**UNDERUTILIZATION CHARGE** - an obligation, incurred by a customer, which is designed to reimburse the Company for the annual costs of a portion of specially constructed facilities when the customer's actual use of those facilities is less than 70% of the amount of use forecasted or ordered by the customer.

E14.3 Rates and Charges

This section contains special construction charges to provide facilities constructed in accordance with this Tariff as required. Charges are developed on an individual case basis.

Tariff Page revised 6/5/2006 to reflect company name change from Sprint to Embarq.

ACCESS SERVICE TARIFF

Embarq Florida, Inc. d/b/a CenturyLink  
By: Gary Kepley, Director-Regulatory Operations

Second Revised Contents Page 1 (Z)  
Cancels First Revised Contents Page 1 (Z)

Effective: September 1, 2016

E15. INWARD OPERATOR SERVICES

CONTENTS

	Page	
E15.1	1	General
E15.2	1	Description of Service
E15.2.1	1	Operator Transfer Service
E15.2.2	2	Reserved For Future Use [1] (C)
E15.2.3	2	Reserved For Future Use [1] (C)
E15.3	3	Undertaking of the Company
E15.3.1	3	Access Locations and Call Transport
E15.3.2	3	Method of Provisioning
E15.4	4	Obligations of the IC
E15.4.1	4	Access Locations and Call Transport
E15.4.2	4	Billing Conditions
E15.5	5	Rate Regulations and Charges
E15.5.1	5	Rate Regulations
E15.5.2	6	Rates and Charges

[1] Effective September 1, 2016, Verification Service and Interrupt Service were discontinued. (N)

## ACCESS SERVICE TARIFF

Embarq Florida, Inc. d/b/a CenturyLink  
By: Gary Kepley, Director-Regulatory Operations

Second Revised Page 1  
Cancels First Revised Page 1

Effective: September 1, 2016

### E15. INWARD OPERATOR SERVICES

#### E15.1 General

Effective September 1, 2016, Verification Service and Interrupt Service were discontinued. (N)

Inward Operator Services (IOS) are available to all ICs for use in their provision of interLATA operator services. IOS provides the IC operator with access to the Company's Operator Services System (OSS) location(s), use of select OSS equipment and use of the Company's exchange operator. IOS will allow the IC operator to receive from the Company's operator end user customers who desire interLATA calls or other interLATA services not provided by the Company as well as information and assistance from the Company's operator which the IC operator may require to satisfy the end user's interLATA request.

At the option of the IC, and where the Company has the technical capability to do so, the following Inward Operator Services will be available:

- Operator Transfer Service

(D)  
(D)

#### E15.2 Description of Service

##### E15.2.1 Operator Transfer Service

Operator Transfer Service (OTS) is an originating service that provides routing of interLATA 0- (zero and no additional digits dialed) calls from the Company's OSS location to a subscribing IC's Point of Presence (POP), as requested by the calling end user.

If the calling end user has no specific IC preference, the Company's OSS operator will attempt to redirect the 0- call to the presubscribed IC by requesting that the end user hang up and dial "00". If the calling end user insists on being transferred, the Company's OSS operator will consult reference information and offer to the end user the names of all participating ICs. It is the responsibility of the end user to select an IC of choice. The reference information is arranged to give all participating ICs an equal opportunity of being offered to and chosen by the calling end user. Once a selection is made by the calling end user, the Company's OSS operator will transfer the call.

ACCESS SERVICE TARIFF

Embarq Florida, Inc. d/b/a CenturyLink  
By: Gary Kepley, Director-Regulatory Operations

Second Revised Page 2  
Cancels First Revised Page 2

Effective: September 1, 2016

E15. INWARD OPERATOR SERVICES

E15.2 Description of Service (Cont'd)

E15.2.2 Reserved For Future Use [1]

(C)

(D)

(D)

E15.2.3 Reserved For Future Use [1]

(C)

(D)

(D)

[1] Effective September 1, 2016, Verification Service and Interrupt Service were discontinued.

(N)



ACCESS SERVICE TARIFF

Embarq Florida, Inc.  
By: F. B. Poag, Director

First Revised Page 3  
Cancels Original Page 3

Effective: January 1, 1997

E15. INWARD OPERATOR SERVICES

E15.3 Undertaking of the Company

E15.3.1 Access Locations and Call Transport

- A. The Company will provide IOS from its OSS locations as specified in the National Exchange Carrier Association, Inc. (NECA) tariff F.C.C. No. 4.
  - 1. At the IC's request, the Company will provide a list of its OSS locations.
  - 2. When it becomes necessary, as determined by the Company, to change an OSS location, the Company will notify the affected ICs six (6) months prior to the change.
- B. The Company will deliver requests for interLATA calls to the subscribing IC via OTS to the IC POP specified by the customer.
- C. Trunk side switching as well as answer and disconnect supervisory signals will be provided at the OSS location.

E15.3.2 Method of Provisioning

- A. The Company's OSS operator will perform only those functions described in E15.2 preceding in conjunction with an IOS call. The Company's OSS operator's contact will be with the IC operator, not with the IC's end user except in the case of OTS.
- B. The general regulations specified in E2 of this tariff apply to all IOS offerings.

Tariff Page revised 6/5/2006 to reflect company name change from Sprint to Embarq.

ACCESS SERVICE TARIFF

Embarq Florida, Inc.  
By: F. B. Poag, Director

First Revised Page 4  
Cancels Original Page 4

Effective: January 1, 1997

E15. INWARD OPERATOR SERVICES

E15.4 Obligations of the IC

E15.4.1 Access Locations and Call Transport

- A. The IC will establish an IC POP, if none exists, and advise the Company of that POP location.
- B. IOS trunking between the IC's POP and the OSS location is provisioned as either FGB or FGC and FGD Switched Access Service, as specified in E6 preceding.
  - 1. All regulations specified in Sections E2, E5 and E6 of this tariff shall apply to IOS interconnecting trunking.
  - 2. The interconnecting Switched Access facilities may be arranged as either one way or two way service, as designated by the IC. These trunk groups will be established as final trunks and will be assigned data registers to obtain usage, peg count and overflow attempt information.
  - 3. When ordering IOS, the IC shall determine and specify the number of new or additional FGB or FGC, and FGD trunks necessary to transport IC IOS end user requests between the IC and OSS locations. When ordering OTS, the IC must order sufficient capacity to transport any/all OTS requests originating from all Company end offices within each LATA of the OSS serving area.
  - 4. The IC facilities at the IC POP shall provide the necessary on-hook, off-hook answer and disconnect supervision for OTS.

E15.4.2 Billing Conditions

- A. When the IC bills its end users, the IC shall be responsible for all contact and arrangements with its end users concerning the provision and maintenance of IOS as well as the billing and collecting of charges billed to its end users.
- B. Jurisdictional reporting will apply, as specified in E2 of this tariff, to determine Percent Interstate Usage (PIU) for IOS.

Tariff Page revised 6/5/2006 to reflect company name change from Sprint to Embarq.

ACCESS SERVICE TARIFF

Embarq Florida, Inc. d/b/a CenturyLink  
By: Gary Kepley, Director-Regulatory Operations

Second Revised Page 5  
Cancels First Revised Page 5

Effective: September 1, 2016

E15. INWARD OPERATOR SERVICES

E15.5 Rate Regulations and Charges

E15.5.1 Rate Regulations

- A. Billing for all IOS will occur on a monthly basis as other billing is performed, but will be rendered on a statement detailing the flat rated charges applicable to the IC for the specified monthly period.
- B. IOS is ordered under the access order provisions as set forth in E5 preceding. The Access Order Charge applicable for Switched Access Service will apply per access order for the establishment, change or rearrangement of IOS. In addition, other Access Order Charges (i.e., Service Date Change Charge, etc.) may apply.
- C. The charge for OTS is a flat-rate charge which is applicable per call transferred to the subscribing IC. A request shall be considered transferred when the Company OSS operator activates the OSS switch which routes the call from the OSS location to the IC location.
- D. Reserved For Future Use [1] (C)  
(D)
- E. Reserved For Future Use [1] (C)  
(D)  
|  
(D)
- F. Switched Access Service premium and non-premium rates and charges as set forth in E6 preceding will apply in addition to any/all per occurrence IOS charges for usage originating from the IC's POP to the OSS location(s).

[1] Effective September 1, 2016, Verification Service and Interrupt Service were discontinued.

(N)

ACCESS SERVICE TARIFF

Embarq Florida, Inc. d/b/a CenturyLink  
By: Gary Kepley, Director-Regulatory Operations

Second Revised Page 6  
Cancels First Revised Page 6

Effective: September 1, 2016

E15. INWARD OPERATOR SERVICES

E15.5 Rate Regulations and Charges (Cont'd)

E15.5.2 Rates and Charges

	United Telephone <u>Rate</u>	Central Telephone <u>Rate</u>	
A. Operator Transfer Service - per transfer	\$0.29	\$0.29	(T)
B. Reserved For Future Use [1]			(C) (D)
C. Reserved For Future Use [1]			(C) (D)
			(D)

[1] Effective September 1, 2016, Verification Service and Interrupt Service were discontinued.

(N)

ACCESS SERVICE TARIFF

Embarq Florida, Inc.  
By: F. B. Poag, Director

First Revised Page 1  
Cancels Original Page 1

Effective: January 1, 1997

E16. ACCESS SERVICE FOR LOCAL EXCHANGE COMPANIES COMPLETION  
OF INTRALATA-INTERCOMPANY LONG DISTANCE MTS AND WATS CALLS

CONTENTS

	<u>Page</u>
E16.1 General	1
E16.2 General Regulations	1
E16.3 Rate Regulations	3
E16.4 Rates and Charges	8

Tariff Page revised 6/5/2006 to reflect company name change from Sprint to Embarq.

ACCESS SERVICE TARIFF

Embarq Florida, Inc. d/b/a CenturyLink  
By: Gary L. Kepley, Director

Second Revised Page 1 (T)  
Cancels First Revised Page 1 (T)

Effective: January 15, 2017

E16. ACCESS SERVICE FOR LOCAL EXCHANGE COMPANIES COMPLETION  
OF INTRALATA-INTERCOMPANY LONG DISTANCE MTS AND WATS CALLS

E16.1 General

This section of the Access Service Tariff sets forth the procedures and charges for Local Exchange Companies (LECs) to render payment to other LECs for intraLATA-intercompany Long Distance Message Telecommunications Service (LDMTS) and Wide Area Telecommunications Service (WATS) calls that originate in one LEC's (originating LEC) certificated operating area and terminate in another LEC's certificated operating area. These procedures and charges are specific to the provision of the intercompany LDMTS network facilities which are jointly planned by the participating LECs. Facilities that are ordered independently by any individual LEC from another LEC to accommodate a customer-specific request for service are done so through the general offerings made in the Access Service Tariff or the General Exchange Tariff **or equivalent** as follows:

(T)

Switched Access Service is provided for in E6, Special Access Service is provided for in **E7 and** Directory Assistance is provided for in E9 of the Company's Access Service Tariff. Provisions for ordering; special routing; specialized services or arrangements; and installation, repair and testing are provided for in E5, E11, E12 and E13 respectively.

(D)

(D)

LDMTS is provided for in Section A18 and WATS is provided for in Section A19 of the Company's **Local Terms of Service** or equivalent.

(T)

E16.2 General Regulations

- A. The originating LEC shall be responsible for recording and rating the terminating minutes of use associated with each originated intraLATA-intercompany LDMTS/WATS call based on the terminating LEC's Access Service Tariff rates.
- B. The originating LEC will render payment to the terminating LEC and any LEC which provides switching and interoffice transport facilities for the completion of an intraLATA-intercompany LDMTS or WATS call.

ACCESS SERVICE TARIFF

Embarq Florida, Inc. d/b/a CenturyLink  
By: Gary L. Kepley, Director

Second Revised Page 2 (T)  
Cancels First Revised Page 2 (T)

Effective: January 15, 2017

E16. ACCESS SERVICE FOR LOCAL EXCHANGE COMPANIES COMPLETION  
OF INTRALATA-INTERCOMPANY LONG DISTANCE MTS AND WATS CALLS

E16.2 General Regulations (Cont'd)

- C. Any LEC which provides switched transport facilities to or from the Access Tandem switch shall receive payment from the originating LEC or terminating LEC.
- D. For Toll Free Code (TFC) Service calls, the originating LEC will be paid originating Switched Access charges by the terminating LEC based upon the originating LEC's Access Service Tariff rates. The terminating LEC will render payment to any LEC which provides switching and interoffice transport facilities for the completion of TFC Service calls.
- E. The originating and terminating LECs shall determine the terminating trunks necessary to complete the intraLATA-intercompany LDMTS and WATS calls.
- F. When regulations from preceding sections are determined to apply as set forth in G. and I., following, where the term IC or Interexchange Carrier is written, substitute LEC to read as one and the same.
- G. The general regulations set forth in E1, E2, **E3, E6**, E10, and E14 apply to LEC originating and/or terminating intraLATA-intercompany LDMTS and WATS calls, except for those listed in H. following. (D)
- H. The following tariff sections do not apply to LECs in the provision of intraLATA LDMTS/WATS services: E2.1.5, E2.1.9, E2.1.13, E2.3.4, E2.3.11, E2.3.12, E2.4.1.A, E2.4.1.C, E2.4.1.D, E2.4.1.G, E2.4.2, E2.4.3, E2.4.4, E2.4.5, E2.4.8, E2.7, E3.1.D, E3.3.A-E, E3.4.A, E3.4.B, E3.4.C, E3.4.D, E3.4.F, E3.4.G, E3.4.H, E3.4.I, E3.6, E3.7.C, E3.7.D, E3.7.E, E3.7.F, E3.7.G, E3.8.A, E5, E6, **E7, E9**, E11, E12, and E13. (T)  
(D)
- I. The services provided under this Tariff will include outside distribution network facilities. The facilities will be terminated at a place agreed upon by both the originating and terminating LECs.

ACCESS SERVICE TARIFF

Embarq Florida, Inc.  
By: F. B. Poag, Director

First Revised Page 3  
Cancels Original Page 3

Effective: January 1, 1997

E16. ACCESS SERVICE FOR LOCAL EXCHANGE COMPANIES COMPLETION  
OF INTRALATA-INTERCOMPANY LONG DISTANCE MTS AND WATS CALLS

E16.2 General Regulations (Cont'd)

- J. The originating LEC shall maintain and retain, for a minimum of one year, complete, detailed and accurate records, workpapers, and backup documentation in form and substance to evidence the payment rendered data provided to any LEC receiving compensation. All of the records, workpapers, and backup documentation shall be made available during normal business hours, at the location named in the report, upon reasonable request by any LEC receiving compensation in order to permit a review by the compensated LEC's auditor or outside auditor under contract to the compensated LEC or an auditor of a state regulatory commission.

E16.3 Rate Regulations

- A. The following rate categories that apply to Access Service provided for completion of intraLATA-intercompany LDMTS and WATS calls which are independent of those for preceding tariff sections. They are:
  - 1. Carrier Common Line Service, which provides for the use of LEC common subscriber plant for access to end users, and is rated per access minute, as shown in E16.4.A. following.
  - 2. Switched Access Service, which provides for use of LEC common terminating, switching, and interoffice transport, and is shown as a per access minute rate or a monthly flat rate, dependent upon the use of the LEC's interoffice transport facilities as well as the LEC's choice of billing and rendering payments to another LEC. Descriptions of these rate elements are shown in B. following.
- B. On collect, third number billed, and calling card calls not billed by the originating LEC, a charge for Bill Processing Service will be applicable. The rate for Bill Processing Service will be assessed through intercompany contractual agreements.

Tariff Page revised 6/5/2006 to reflect company name change from Sprint to Embarq.



ACCESS SERVICE TARIFF

Embarq Florida, Inc.  
By: F. B. Poag, Director

First Revised Page 4  
Cancels Original Page 4

Effective: January 1, 1997

E16. ACCESS SERVICE FOR LOCAL EXCHANGE COMPANIES COMPLETION  
OF INTRALATA-INTERCOMPANY LONG DISTANCE MTS AND WATS CALLS

E16.3 Rate Regulations (Cont'd)

- C. The Access Tandem Switching rate category is designed to compensate a LEC for use of its Access Tandem switch for the completion of an intraLATA-intercompany LDMTS/WATS call. The rate shown in E16.4.B.3 following will be paid by the originating LEC to each LEC whose Access Tandem switch is used for the transport of an intraLATA-intercompany LDMTS or WATS call. Access Tandem Switching provides for the function of switching traffic to or from the LEC end office switch(es). Access minutes of use will be utilized for calculation of the Access Tandem Switching charge and the charge is assessed on all minutes of use switched at the Access Tandem.
  
- D. The Switched Transport rate category is designed to compensate a LEC for use of its switched transport interoffice facilities for completion of an intraLATA-intercompany LDMTS/WATS call. Appropriate transport charges shown in E16.4.B.2 and E16.4.B.3 following will be paid by the originating LEC to each LEC whose switched interoffice facilities are used for the transport of an intraLATA-intercompany LDMTS or WATS call. A per access minute rate or a monthly flat rate, dependent upon the use of the LEC's interoffice transport facilities will be utilized for calculation of the Switched Transport Charge.

1. MABC Local Channel

The MABC Local Channel provides a communications path between two or more LEC Access Tandems. The standard channel interface defines the technical characteristics associated with the facility. The MABC Local Channel is capable of carrying a combination of traffic types (e.g., Switched Access, IntraLATA LDMTS and WATS, InterLATA LDMTS, etc.).

Tariff Page revised 6/5/2006 to reflect company name change from Sprint to Embarq.

ACCESS SERVICE TARIFF

Embarq Florida, Inc.  
By: F. B. Poag, Director

First Revised Page 5  
Cancels Original Page 5

Effective: January 1, 1997

E16. ACCESS SERVICE FOR LOCAL EXCHANGE COMPANIES COMPLETION  
OF INTRALATA-INTERCOMPANY LONG DISTANCE MTS AND WATS CALLS

E16.3 Rate Regulations (Cont'd)

D. 1. (Cont'd)

The MABC Local Channel will be assessed a per minute of use charge or a flat monthly rate based upon the transport facility utilized between LECs and upon the LEC's choice of billing and rendering payment to the LEC. DS3 MABC local channel rates may vary based on distance, as set forth in E16.4.B. following.

The following Access Tandem to Access Tandem routes were analyzed, based on historical minutes of use. It was determined these routes will be rated at the following capacity level:

<u>Access Tandem to Access Tandem Route</u>	<u>Facility to be Rated:</u>
<u>United Telephone:</u>	
Between Ocala and Gainesville	DS3
Between Winter Park and Lake Buena Vista	DS1
Between Winter Park and Orlando	DS3
<u>Central Telephone:</u>	
Between Crestview and Pensacola	DS1
Between Fort Walton Beach and Pensacola	DS1
Between Marianna and Panama City	DS1
Between Marianna and Port St. Joe	DS1

Tariff Page revised 6/5/2006 to reflect company name change from Sprint to Embarq.

ACCESS SERVICE TARIFF

Embarq Florida, Inc.  
By: F. B. Poag, Director

First Revised Page 6  
Cancels Original Page 6

Effective: January 1, 1997

E16. ACCESS SERVICE FOR LOCAL EXCHANGE COMPANIES COMPLETION  
OF INTRALATA-INTERCOMPANY LONG DISTANCE MTS AND WATS CALLS

E16.3 Rate Regulations (Cont'd)

2. MABC Interoffice Channel

The MABC Interoffice Channel provides a transmission facility and termination at the LEC's end office switch and/or the LEC's Access Tandem switch. The termination or fixed charge applies for each MABC Interoffice Channel termination (i.e., at the LEC end office and/or at the Access Tandem). The MABC Interoffice Channel can be utilized by LECs for either Switched Common Transport or Switched Dedicated Transport facilities.

For Switched Dedicated Transport, the MABC Interoffice Channel is provisioned between two or more LECs end office switches, or between the LEC's Access Tandem(s) and the LEC's end office switches or Serving Wire Center(s).

For Switched Common Transport, the MABC Interoffice Channel is provisioned between the LEC's end office switches by switching through one or more LEC's Access Tandem(s). For transport between the Access Tandem and the LEC end office, between the end office which serves as a host for a remote switching system or module (RSS or RSM) and RSS or RSM and for terminating FGA between the dial tone office and end office, the transport will be Switched Common Transport.

Mileage measurement for Switched Common Transport and Switched Dedicated Transport facilities, will be calculated in accordance with E6.7.12 preceding.

a. Dedicated Transport

The Dedicated Transport Interoffice Channel rate category consists of two rate elements (1) Interoffice Fixed and (2) Interoffice Per Mile.

Tariff Page revised 6/5/2006 to reflect company name change from Sprint to Embarq.

ACCESS SERVICE TARIFF

Embarq Florida, Inc.  
By: F. B. Poag, Director

First Revised Page 7  
Cancels Original Page 7

Effective: January 1, 1997

E16. ACCESS SERVICE FOR LOCAL EXCHANGE COMPANIES COMPLETION  
OF INTRALATA-INTERCOMPANY LONG DISTANCE MTS AND WATS CALLS

E16.3 Rate Regulations (Cont'd)

2. a. Dedicated Transport (Cont'd)

The Dedicated Transport Interoffice Channel (Fixed) component of the Dedicated Transport Interoffice Channel provides equipment necessary for the termination of the Dedicated Transport Interoffice Channel facility. The Dedicated Transport (Fixed) charge will apply for each facility termination of greater than zero miles. The Dedicated Transport Interoffice Channel (Fixed) charge is assessed as a monthly rate. Each Dedicated Transport (Fixed) charge will be rated at fifty percent of the flat monthly rate if the entire facility is not owned by one LEC.

The Dedicated Transport Interoffice Channel (Per Mile) rate is based on capacity (e.g., Voice Grade (VG), DS1 and/or DS3) and permits the transmission of calls in the originating and/or terminating direction.

b. Tandem Switched Transport

The Tandem Switched Transport Termination component of the Interoffice Channel provides equipment necessary for the termination of the Interoffice Channel facility. The Tandem Switched Transport Termination for Interoffice Channels will be assessed on a per minute of use on the facility and will be rated at fifty percent of the usage rate if the entire facility is not owned by one LEC.

The Tandem Switched Transport Facility rate category is composed of switched transport facilities as determined by the LECs and permits the transmission of calls in the originating direction and/or the terminating direction. The Tandem Switched Transport Facility charge will be assessed on a per minute of use, per mile charge on usage of greater than zero miles.

Tariff Page revised 6/5/2006 to reflect company name change from Sprint to Embarq.

ACCESS SERVICE TARIFF

Embarq Florida, Inc. *d/b/a CenturyLink*  
By: **Christy V. Londerholm**, Director

Third Revised Page 8 (C)  
Cancels Second Revised Page 8 (C)  
Effective: November 24, 2018

E16. ACCESS SERVICE FOR LOCAL EXCHANGE COMPANIES COMPLETION  
OF INTRALATA-INTERCOMPANY LONG DISTANCE MTS AND WATS CALLS

E16.3 Rate Regulations (Cont'd)

3. MABC Interconnection

The MABC Interconnection Charge shall be assessed on all LEC originating and terminating minutes of use.

E16.4 Rates and Charges

A. Carrier Common Line Service

1. Access minute

	<u>United Telephone</u>	<u>Central Telephone</u>	
(a) Per Originating Access Minute	\$0.016092	\$0.016092	
(b) Per Terminating Access Minute	<b>\$0.000000</b>	<b>\$0.000000</b>	(Z)

ACCESS SERVICE TARIFF

Embarq Florida, Inc. *d/b/a CenturyLink*  
 By: **Christy V. Londerholm**, Director

Third Revised Page 9 (C)  
 Cancels Second Revised Page 9 (C)  
 Effective: November 24, 2018

E16. ACCESS SERVICE FOR LOCAL EXCHANGE COMPANIES COMPLETION  
 OF INTRALATA-INTERCOMPANY LONG DISTANCE MTS AND WATS CALLS

E16.4 Rates and Charges (Cont'd)

B. Switched Access Service

1. MABC Local Channel

	<u>Monthly Rate</u>	<u>Rate Per Access Minute</u>	
(a) Voice Grade	\$ 97.25	\$0.010806	(Z)
(b) DS1	115.00	0.000532	
(c) DS3 (0-3 miles)	820.00	0.000136	
(d) DS3 (>3 miles)	1,275.00	0.000211	(Z)

2. Interoffice Channel

(a) Dedicated Transport

(1) Voice Grade			
a) Fixed	\$ 45.00		(Z)
b) Per Mile	2.23		(Z)
(2) DS1 – 1.544 Mbps			
a) Fixed	50.00		(Z)
b) Per Mile	4.35		(Z)
(3) DS3 – 44.736 Mbps			
a) Fixed	480.00		(Z)
b) Per Mile	80.00		(Z)

(b) Tandem Switched Transport

	<u>Per Access Minute</u>			
	<u>Originating</u>	<u>3rd Party</u>	<u>End Office</u>	
(1) Tandem Termination	\$0.000200	\$0.000200	\$0.000000	(Z)
(2) Tandem Facility	\$0.000040	\$0.000040	\$0.000000	(Z)

3. Access Tandem Switching

	<u>Originating</u>	<u>3rd Party</u>	<u>End Office</u>	
(a) Per Access Minute	\$0.000880	\$0.000880	\$0.000000	(Z)

4. End Office

	<u>Originating</u>	<u>Terminating</u>	
(a) Local Switching	\$0.017700	\$0.000000	(Z) (C)

5. MABC Interconnection

\$0.000000

ACCESS SERVICE TARIFF

Embarq Florida, Inc.  
By: John M. Felz, Director

Second Revised Page 1  
Cancels First Revised Page 1

Effective: July 1, 2009

E17. EXPANDED INTERCONNECTION SERVICES

CONTENTS

	<u>Page</u>	
E17.1 Expanded Interconnection#	1	(C)
E17.1.1 Basic Service Descriptions	1	
E17.1.2 Regulations	7	
E17.1.3 Liability	11	
E17.1.4 Network Compatibility and Standards	13	
E17.1.5 Physical Collocation#	14	(C)
E17.1.6 Virtual Collocation	27	
E17.1.7 Rates and Charges	31	

# Expanded Interconnection under a Physical Collocation arrangement is grandfathered to existing customers with existing arrangements in place as of July 1, 2009. (N)  
(N)

(D)

ACCESS SERVICE TARIFF

Embarq Florida, Inc. d/b/a CenturyLink  
By: Gary L. Kepley, Director

Third Revised Page 1  
Cancels Second Revised Page 1  
Effective: March 13, 2015

E17. EXPANDED INTERCONNECTION SERVICES

E17.1 Expanded Interconnection#

The Company will provide expanded interconnection services in conjunction with the Switched Access and Special Access Services provided in E6 and E7 preceding, and in conjunction with the Frame Relay Services provided in **E18**. (T)

E17.1.1 Basic Service Descriptions

A. Physical Collocation#

Physical collocation provides an Interconnector with space and associated requirements such as power and environmental conditioning within a Telephone Company premises\* to locate certain fiber optic or microwave facilities and equipment, and a connection to certain Company provided services.

\* For the purposes of this section, the term "Company premises" includes Company central offices, serving wire centers and access tandems, as well as all buildings or similar structures owned or leased by the Company that house Company network facilities.

B. Virtual Collocation

Virtual collocation provides a connection between Interconnector provided and Company provided fiber optic or microwave transport facilities at a manhole near the central office, or in the event the manhole near the central office cannot be used by the Company to provide the interconnection at another Company designated interconnection point outside the serving wire center to allow interconnection with certain Company provided services.

# Expanded Interconnection under a Physical Collocation arrangement is grandfathered to existing customers with existing arrangements in place as of July 1, 2009.



ACCESS SERVICE TARIFF

Embarq Florida, Inc.  
By: John M. Felz, Director

Second Revised Page 2  
Cancels First Revised Page 2

Effective: July 1, 2009

E17. EXPANDED INTERCONNECTION SERVICES

E17.1 Expanded Interconnection (Cont'd)#

(N)

E17.1.1 Basic Service Descriptions (Cont'd)

C. Rate Categories

Expanded Interconnection Services consist of the rate categories described generally below. Specific regulations governing the provision of these rate elements are set forth following in E17.1.5 and E17.1.6 for physical and virtual collocation, respectively.

1. Application Fee

The application fee is a nonrecurring charge that recovers the cost of processing the application for expanded interconnection and provides for the preliminary work needed to determine if Company premises space and facilities are available to meet the Interconnector's collocation request. The application fee will be assessed once for each application submitted per Company premises, and is not dependent upon the amount of collocation space requested.

2. Floor Space

The floor space rate element is assessed on a per square foot per month basis and provides for the use of Company premises equipment areas occupied by the Interconnector. Floor space includes associated environmental support systems such as AC power, lighting, heating and air conditioning.

3. Roof Space

The roof space rate element is assessed on a per square foot per month basis and provides for the use of space on the exterior of the Company premises where the Interconnector has installed microwave or other wireless antenna facilities.

# Expanded Interconnection under a Physical Collocation arrangement is grandfathered to existing customers with existing arrangements in place as of July 1, 2009.

(N)  
(N)

(D)

ACCESS SERVICE TARIFF

Embarq Florida, Inc.  
By: John M. Felz, Director

Second Revised Page 3  
Cancels First Revised Page 3

Effective: July 1, 2009

E17. EXPANDED INTERCONNECTION SERVICES

E17.1 Expanded Interconnection (Cont'd)#

(N)

E17.1.1 Basic Service Descriptions (Cont'd)

C. Rate Categories (Cont'd)

4. Transmitter/Receiver Space

The transmitter/receiver space rate element is assessed on a per square foot per month basis and provides for the Interconnector's use of Company premises equipment areas for the placement of microwave or other wireless transmitter/receiver equipment. Transmitter/receiver space includes associated environmental support systems such as AC power, lighting, heating and air conditioning.

5. DC Power

The DC power rate element consists of both a recurring monthly rate and a nonrecurring charge. The nonrecurring charge recovers the cost of delivering Company DC power to the Interconnector's collocation space and is assessed per foot of power lead provided to the security enclosure occupied by the Interconnector. A separate power lead is required for each 7 foot equipment bay located in the Interconnector's security enclosure. The recurring monthly rate recovers the cost of providing 48 volt DC power to the Interconnector's collocation space, and is assessed per fuse amperage ordered.

6. Security Enclosure

The security enclosure rate element is a nonrecurring charge assessed on a per enclosure basis and provides for the construction of a lockable, eight foot high, wire mesh security fence surrounding the perimeter of the Interconnector's collocation space. Security enclosures are available in 100 and 200 square foot sizes.

# Expanded Interconnection under a Physical Collocation arrangement is grandfathered to existing customers with existing arrangements in place as of July 1, 2009.

(N)  
(N)

(D)

ACCESS SERVICE TARIFF

Embarq Florida, Inc.  
By: John M. Felz, Director

Second Revised Page 4  
Cancels First Revised Page 4

Effective: July 1, 2009

E17. EXPANDED INTERCONNECTION SERVICES

E17.1 Expanded Interconnection (Cont'd)#

(N)

E17.1.1 Basic Service Descriptions (Cont'd)

C. Rate Categories (Cont'd)

7. Conduit Space - Per Foot

The conduit space - per foot rate element is assessed on a per linear foot per month basis and provides for the Interconnector's use of conduit duct space from the designated interconnection point to the Interconnector's collocation space.

8. Conduit Space - Vault

The conduit space - vault rate element is assessed on a per foot of a 9-conduit vault per month basis and provides for the Interconnector's use of the Company's cable vault and supporting structures.

9. Electrical Cross-Connect

The electrical cross-connect rate element is assessed on a per connection per month basis and recovers the cost of connecting the Interconnector's terminating equipment to tariffed services provided by the Company. Electrical cross-connections are available at the DS0, DS1 and DS3 levels.

10. Riser Space

The riser space rate element is assessed on a per foot per month basis and provides a cable path between the cable vault and the Interconnector's collocation space.

11. Diverse Riser Space

The diverse riser space rate element is assessed on a per foot per month basis and provides a second cable path between the cable vault and the Interconnector's collocation space.

# Expanded Interconnection under a Physical Collocation arrangement is grandfathered to existing customers with existing arrangements in place as of July 1, 2009.

(N)  
(N)

(D)

## ACCESS SERVICE TARIFF

Embarq Florida, Inc.  
By: John M. Felz, Director

Third Revised Page 5  
Cancels Second Revised Page 5

Effective: July 1, 2009

### E17. EXPANDED INTERCONNECTION SERVICES

E17.1 Expanded Interconnection (Cont'd)# (N)

E17.1.1 Basic Service Descriptions (Cont'd)

C. Rate Categories (Cont'd)

12. Internal Cabling\*

The internal cabling rate element is assessed on a per linear foot of 4-fiber cable per month basis and recovers the cost of cabling, both 4-fiber and coaxial as necessary, from the point of interconnection outside the Company premises (when that point of interconnection is a manhole near the Company premises) to the Interconnector's terminating equipment in the Company premises.

13. Internal Conduit\*\*

The internal conduit rate element is assessed on a per linear foot per month basis and recovers the cost of 12-fiber conduit and riser from the point of interconnection outside the Company premises (when that point of interconnection is a manhole near the Company premises) to the Interconnector's terminating equipment in the Company premises.

14. External Cabling and Conduit

The external cabling and conduit rate element is assessed on a per 1/4 mile per of 4-fiber cable per month basis and recovers the cost of 4-fiber cabling and conduit as necessary from the point of interconnection outside the Company premises (when that point of interconnection is not a manhole near the Company premises) to a manhole near the Company premises.

# Expanded Interconnection under a Physical Collocation arrangement is grandfathered to existing customers with existing arrangements in place as of July 1, 2009. (N)

\* Internal Cabling under a Physical Collocation arrangement is grandfathered to existing customers with existing arrangements in place as of May 6, 2009. (N)

\*\* Internal Conduit under a Physical Collocation arrangement is grandfathered to existing customers with existing arrangements in place as of May 6, 2009.

ACCESS SERVICE TARIFF

Embarq Florida, Inc.  
By: John M. Felz, Director

Second Revised Page 6  
Cancels First Revised Page 6

Effective: July 1, 2009

E17. EXPANDED INTERCONNECTION SERVICES

E17.1 Expanded Interconnection (Cont'd)# (N)

E17.1.1 Basic Service Descriptions (Cont'd)

C. Rate Categories (Cont'd)

15. Cable Pull and Splice

The cable pull and splice rate element is assessed based on per half hour additional labor rates and recovers the cost of Company personnel pulling the Interconnector's fiber optic cable from the interconnection point in a manhole outside the Company premises to the cable vault, and splicing the Interconnector's cable to the riser cable in the cable vault.

16. Installation and Maintenance

The installation and maintenance rate element is assessed based on per half hour additional labor rates and recovers the cost of installing and/or maintaining Interconnector provided outside plant (e.g., entrance cable, riser cable, and conduit).

17. Security Escort

The security escort rate element is assessed based on per half hour additional labor rates and recovers the cost of Company personnel accompanying Interconnector's authorized employees, agents and contractors from the time of entry into a Company premises to the time of departure.

18. Interconnection Rearrangement

The interconnection rearrangement rate element is a nonrecurring charge assessed when an existing Company provided high capacity service or multiplexed high capacity service is reconfigured into a high capacity service under an expanded interconnection arrangement or vice versa, or from one expanded interconnection arrangement to another within the same Company premises.

# Expanded Interconnection under a Physical Collocation arrangement is grandfathered to existing customers with existing arrangements in place as of July 1, 2009. (N)  
(N)

(D)

ACCESS SERVICE TARIFF

Embarq Florida, Inc.  
By: John M. Felz, Director

Second Revised Page 7  
Cancels First Revised Page 7

Effective: July 1, 2009

E17. EXPANDED INTERCONNECTION SERVICES

E17.1 Expanded Interconnection (Cont'd)# (N)

E17.1.2 Regulations

- A. The Company will provide an electrical interconnection to the Switched or Dedicated Access services specified in E6 and E7 preceding, or to the Frame Relay services specified in E18 following.
- B. Expanded Interconnection to Switched Access services is available only from Company central offices where suitable technical capability exists.
- C. The Company reserves the right, on 30 days written notice by Certified U.S. Mail, to terminate the interconnection arrangement in the event the Interconnector violates the terms of this tariff.
- D. The Company reserves the right, with 30 days notification to the Interconnector, to modify technical, administrative, or environmental procedures based on improvements suggested by Expanded Interconnection use. In the event the Interconnector requests reconsideration of the proposed modifications, the Company will work cooperatively with the Interconnector to determine if alternative modifications could be implemented.
- E. Facilities and equipment provided by the Interconnector are subject to the terms, conditions, and rates specified in this tariff.

# Expanded Interconnection under a Physical Collocation arrangement is grandfathered to existing customers with existing arrangements in place as of July 1, 2009. (N)  
(N)

(D)

ACCESS SERVICE TARIFF

Embarq Florida, Inc.  
By: John M. Felz, Director

Second Revised Page 8  
Cancels First Revised Page 8

Effective: July 1, 2009

E17. EXPANDED INTERCONNECTION SERVICES

E17.1 Expanded Interconnection (Cont'd)#

(N)

E17.1.2 Regulations (Cont'd)

- F. An Interconnector that fails to pay any of the charges associated with the provision of Expanded Interconnection is subject to the tariff provisions set forth in E2.1.8 preceding.
- G. The Credit Allowance for Service Interruptions as set forth in E2.4.4 preceding also applies to the electrical cross connect elements in Expanded Interconnection.
- H. The provision of Expanded Interconnection as set forth in this tariff does not constitute a joint undertaking of the Company and the Interconnector for the furnishing of any service.
- I. When Special Construction of facilities is required for the provision of Special Access Expanded Interconnection the regulations, liabilities, rates and charges for Special Construction apply as set forth in E14 preceding.
- J. The provision of Special Access Expanded Interconnection and its restoration following a service interruption shall comply with the provisions of the Telecommunications Service Priority System (TSP) set forth in E13.3.7. preceding. In order to meet the emergency requirements of the TSP System, the Company may rearrange Company conduit, manholes, cable entrances, riser systems, or other Company facilities occupied by an Interconnector's transport facilities. The Company will make a reasonable effort to notify the Interconnector of the necessary rearrangements. If an emergency is caused by an act or omission of the Interconnector or by the Interconnector's equipment or facilities, the Interconnector will be charged for such rearrangement on a time and material basis.

# Expanded Interconnection under a Physical Collocation arrangement is grandfathered to existing customers with existing arrangements in place as of July 1, 2009.

(N)  
(N)

(D)

ACCESS SERVICE TARIFF

Embarq Florida, Inc.  
By: John M. Felz, Director

Second Revised Page 9  
Cancels First Revised Page 9

Effective: July 1, 2009

E17. EXPANDED INTERCONNECTION SERVICES

E17.1 Expanded Interconnection (Cont'd)#

(N)

E17.1.2 Regulations (Cont'd)

K. The Company reserves the right to stop any service when the Company deems such stoppage necessary by reason of accident or emergency, or for repairs, improvements or as otherwise provided. The Company will make every reasonable effort to ensure that interruption to the Interconnector's service is avoided. When service interruption is unavoidable, the Company will provide immediate notification of such stoppage. The Company does not warrant that any service will be free from interruptions caused by labor controversies, accidents, inability to obtain fuel, water or supplies, governmental regulations, or other causes beyond the reasonable control of the Company.

L. Exceptions to Termination Liability regarding Expanded Interconnection Service (EIS) Arrangements Pursuant to the Florida Public Service Commission Order No. PSC-95-1188-FOF-TP in Docket No. 92-1074-TP, issued September 21, 1995, upon the effective date of Expanded Interconnection Service (EIS), customers with the Company's dedicated access services, with terms equal to or greater than, three years, entered into on or before February 1, 1994, shall be permitted to switch those services to competitive alternatives during the 90-day period after EIS arrangements are available in a Company central office.

If a customer chooses to switch to a competitor, termination charges to the Company's contract for service shall be limited to the additional charges that the customer would have paid for the contract covering the term actually used, plus the prime rate of interest.

# Expanded Interconnection under a Physical Collocation arrangement is grandfathered to existing customers with existing arrangements in place as of July 1, 2009.

(N)  
(N)

(D)



ACCESS SERVICE TARIFF

Embarq Florida, Inc.  
By: John M. Felz, Director

Second Revised Page 10  
Cancels First Revised Page 10

Effective: July 1, 2009

E17. EXPANDED INTERCONNECTION SERVICES

E17.1 Expanded Interconnection (Cont'd)#

(N)

E17.1.2 Regulations (Cont'd)

- M. When an existing Company provided high capacity service or an existing multiplexed high capacity service is reconfigured into a high capacity service under an Expanded Interconnection arrangement or vice versa, or from one Company provided Expanded Interconnection arrangement to another within the same Company premises, an Interconnection Rearrangement Charge as set forth in E17.1.7.A and E17.1.7.B following will apply for each service reconfigured.
- N. The Interconnector shall not assign or transfer its collocation space, either in whole or in part, or permit the use of any part of the premises by any other person or entity, without the written consent of the Company. Any purported assignment or transfer made without such consent may be deemed void by the Company at its option.
- O. When an Interconnector elects to convert an existing virtual collocation arrangement to a physical collocation arrangement, a charge equal to the difference between virtual and physical collocation application fees will be assessed for each such conversion. The Interconnector shall also be responsible for any costs incurred by the Company during the conversion which exceed those normally incurred in the provision of physical collocation space for Expanded Interconnection.

# Expanded Interconnection under a Physical Collocation arrangement is grandfathered to existing customers with existing arrangements in place as of July 1, 2009.

(N)  
(N)

(D)

ACCESS SERVICE TARIFF

Embarq Florida, Inc.  
By: John M. Felz, Director

Second Revised Page 11  
Cancels First Revised Page 11

Effective: July 1, 2009

E17. EXPANDED INTERCONNECTION SERVICES

E17.1 Expanded Interconnection (Cont'd)#

(N)

E17.1.3 Liability

- A. The Company is not responsible for the compatibility of services provided under this tariff when used in conjunction with Interconnector-provided transport facilities except to the extent that services and facilities provided by the Company shall comply with industry approved standards.
- B. The Company is not required to purchase additional land or buildings, relinquish building space forecasted for Company use, or undertake the construction of new buildings or expansion of existing buildings in order to satisfy an Interconnector's request for Expanded Interconnection. When undertaking the renovation of existing facilities, or the construction or lease of new facilities, the Company will take into account collocator demand in the same manner in which demand for other services is considered.
- C. The Company shall not be responsible for changes in technical criteria or facilities, operations or procedures of the Company which might render Interconnector-provided facilities obsolete or require modification, alteration, or otherwise affect performance of such equipment or facilities, when such action is consistent with applicable laws, rules or regulations, or industry standards. The Company will make every reasonable effort to ensure that such changes do not adversely affect Interconnector-provided facilities. When changes affecting Interconnector-provided facilities are unavoidable, the Company will provide reasonable notification of such modification.
- D. The Company is not liable for any act or omission of the Interconnector in the furnishing of services to the Interconnector's subscribers or affecting other users of the network or the public.

# Expanded Interconnection under a Physical Collocation arrangement is grandfathered to existing customers with existing arrangements in place as of July 1, 2009.

(N)  
(N)

(D)

ACCESS SERVICE TARIFF

Embarq Florida, Inc.  
By: John M. Felz, Director

Second Revised Page 12  
Cancels First Revised Page 12

Effective: July 1, 2009

E17. EXPANDED INTERCONNECTION SERVICES

E17.1 Expanded Interconnection (Cont'd)# (N)

E17.1.3 Liability (Cont'd)

- E. The Company is not liable for any omission or error in the application or other documents provided by the Interconnector relative to a request for Expanded Interconnection, and has no responsibility to verify the accuracy of such information.
- F. The Interconnector shall indemnify, defend, and hold the Company harmless against any claim of libel, slander or infringement of patents or copyrights arising from the improper use of equipment or information transmitted over its facilities.
- G. The Interconnector shall indemnify, defend, and hold the Company harmless against any and all liability including, but not limited to, damage to property, or death or injury to any person(s), directly or indirectly arising out of or caused, in whole or in part, by the Interconnector's acts or omissions or the acts or omissions of any party or individual acting on the Interconnector's behalf.
- H. The Interconnector shall provide the Company with evidence of sufficient insurance to protect the Company against any claims for damages as described in (D) through (G) preceding.
- I. The provisions set forth in this section apply in addition to any limits, liability, or indemnification set forth in other sections of this tariff.

# Expanded Interconnection under a Physical Collocation arrangement is grandfathered to existing customers with existing arrangements in place as of July 1, 2009. (N)  
(N)

(D)

ACCESS SERVICE TARIFF

Embarq Florida, Inc.  
By: John M. Felz, Director

Second Revised Page 13  
Cancels First Revised Page 13

Effective: July 1, 2009

E17. EXPANDED INTERCONNECTION SERVICES

E17.1 Expanded Interconnection (Cont'd)# (N)

E17.1.4 Network Compatibility and Standards

- A. The operating characteristics of customer transport facilities shall not interfere with any Company services and are subject to the provisions that said facilities do not:
1. Endanger the safety of Company employees, other Expanded Interconnection customers or the public;
  2. Damage or require change or alteration of Company equipment or facilities;
  3. Interfere with the proper functioning of Company equipment or facilities; or
  4. Impair the operation of the Company network or otherwise injure any party in its use of Company services.

The Company reserves the right, with or without notice, to disconnect any Interconnector's transport facilities which are in violation of the provisions in this Section.

- B. The Interconnector is responsible for ensuring continued technical compatibility with the Company network. When changes in standards occur or differences exist between technical references, the Interconnector shall follow the more stringent standard.

# Expanded Interconnection under a Physical Collocation arrangement is grandfathered to existing customers with existing arrangements in place as of July 1, 2009. (N)  
(N)

(D)

ACCESS SERVICE TARIFF

Embarq Florida, Inc.  
By: John M. Felz, Director

Second Revised Page 14  
Cancels First Revised Page 14

Effective: July 1, 2009

E17. EXPANDED INTERCONNECTION SERVICES

E17.1 Expanded Interconnection (Cont'd)# (N)

E17.1.5 Physical Collocation# (C)

- A. The Interconnector shall provide to the Company a written application for the provision of physical collocation of fiber optic, microwave or other wireless facilities. The application shall include complete details of the collocation and interconnection requested, including, but not limited to, specific roof space, floor space, power, and environmental conditioning requirements. Completed applications must be accompanied by the Application Fee set forth in E17.1.7.A.1 following, and will be processed by the Company within 30 days on a first-come, first-served basis. The Interconnector must begin use of the collocated space within six months of the date of the application, or other time period mutually agreed to by the Interconnector and the Company, or the space must be relinquished to the Company. The Company may extend the beginning of use beyond the six month period upon a demonstration by the Interconnector that circumstances beyond the Interconnector's control prevented the six month deadline from being met.
- B. If collocation space is unavailable or an Interconnector withdraws its request, the Application Fee, less the costs incurred by the Company (e.g., engineering record search and administrative activities required to process the application), will be refunded.

# Expanded Interconnection under a Physical Collocation arrangement is grandfathered to existing customers with existing arrangements in place as of July 1, 2009. (N)  
(N)

(D)

ACCESS SERVICE TARIFF

Embarq Florida, Inc.  
By: John M. Felz, Director

Second Revised Page 15  
Cancels First Revised Page 15

Effective: July 1, 2009

E17. EXPANDED INTERCONNECTION SERVICES

E17.1 Expanded Interconnection (Cont'd)# (N)

E17.1.5 Physical Collocation (Cont'd)# (C)

C. In situations where collocation space and associated requirements are available, physical collocation will be provided by the Company within 90 days, subject to additional time for asbestos removal or extraordinary construction, as specified below:

1. The Company shall permit the Interconnector to initially occupy 100 square foot increments within the Company premises, up to a maximum of 200 square feet. If mutually agreed to by the Company and the Interconnector, increments of space less than 100 square feet will be permitted. For customers requesting collocation space beyond the 200 square foot maximum, the Company will make every effort to provide additional available space dependent upon other outstanding requests for space. Additional collocation space cannot be reserved by the Interconnector for future use. Collocation floor space will be charged for on a per square foot basis, as set forth in E17.1.7.A.2 following, and includes primary AC power, backup AC power where available, lighting, heating, air conditioning, and other environmental support, which the Company will provide in the same manner that it provides such support items for its own equipment in the Company premises.
2. For interconnection of microwave or other wireless facilities, the Company will permit the Interconnector to install antenna facilities on the exterior of the Company premises (Roof Space) and make available a path for the Interconnector's waveguide and/or coaxial cable (Riser Space - Per Foot). If an asbestos containing area is opened to facilitate the installation of the Interconnector's facilities, the Interconnector shall pay on a time and material basis for correction of any asbestos related situations. Roof space will be charged for on a per square foot basis as set forth in E17.1.7.A.3 following; the rates for Riser Space - Per Foot are specified in E17.1.7.A.13 following.

# Expanded Interconnection under a Physical Collocation arrangement is grandfathered to existing customers with existing arrangements in place as of July 1, 2009. (N)  
(N)

(D)

ACCESS SERVICE TARIFF

Embarq Florida, Inc.  
By: John M. Felz, Director

Second Revised Page 16  
Cancels First Revised Page 16

Effective: July 1, 2009

E17. EXPANDED INTERCONNECTION SERVICES

E17.1 Expanded Interconnection (Cont'd)# (N)

E17.1.5 Physical Collocation (Cont'd)# (C)

C. (Cont'd)

3. The Company will designate the location in the Company premises where the Interconnector's transmitter/receiver equipment shall be placed. Transmitter/Receiver Space will be charged for on a per square foot basis as set forth in E17.1.7.A.4 following, and includes primary and backup AC power, lighting, heating, air conditioning, and other environmental support which the Company will provide in the same manner such support items for its own equipment in the Company premises. In situations where special work must be completed by the Company to provide emergency power or environmental support to the Interconnector's transmitter/receiver equipment or antenna, the charges will be calculated and billed to the Interconnector on a time and material basis.
4. Electricity shall be provided by the Company in sufficient amount to provide ordinary lighting, heating and air conditioning of the collocation space. In addition, the Company shall provide one 15 amperage, 100 volt AC power circuit for the Interconnector's use. In situations where the Interconnector requires higher amperage AC power, the Company will work cooperatively with the Interconnector to ensure that specific power requirements are met. Should the Interconnector require additional electric capacity, such capacity will be supplied by the Company. The Interconnector will pay the Company an additional fee in an amount to be agreed upon by both the Company and the Interconnector at the time of the request.

# Expanded Interconnection under a Physical Collocation arrangement is grandfathered to existing customers with existing arrangements in place as of July 1, 2009. (N)  
(N)

(D)

ACCESS SERVICE TARIFF

Embarq Florida, Inc.  
By: John M. Felz, Director

Second Revised Page 17  
Cancels First Revised Page 17

Effective: July 1, 2009

E17. EXPANDED INTERCONNECTION SERVICES

E17.1 Expanded Interconnection (Cont'd)# (N)

E17.1.5 Physical Collocation (Cont'd)# (C)

C. (Cont'd)

5. The Company reserves the right to monitor the Interconnector's use of electricity to determine if the electricity provided is sufficient to support the Interconnector's collocation space. If the Company determines that the electricity provided to the Interconnector is insufficient to support the Interconnector's collocation space, the Company may require the installation of additional electrical circuits to provide the Interconnector with additional electricity. The Interconnector shall reimburse the Company for any expenses incurred in making such additional electrical circuits available to the Interconnector.
6. The Company shall furnish air conditioning and/or other environmental controls for the Interconnector's space in a manner consistent with those provided elsewhere in the building and that responds to the information provided in the Interconnector's application.
7. The Company will provide supplementary air conditioning units or other environmental control devices made necessary solely by the Interconnector's equipment or facilities, and the cost thereof shall be paid by the Interconnector to the Company.

# Expanded Interconnection under a Physical Collocation arrangement is grandfathered to existing customers with existing arrangements in place as of July 1, 2009. (N)  
(N)

(D)



ACCESS SERVICE TARIFF

Embarq Florida, Inc.  
By: John M. Felz, Director

Second-Revised Page 18  
Cancels First Revised Page 18

Effective: July 1, 2009

E17. EXPANDED INTERCONNECTION SERVICES

E17.1 Expanded Interconnection (Cont'd)# (N)

E17.1.5 Physical Collocation (Cont'd)# (C)

C. (Cont'd)

8. If the Company determines that it is necessary to upgrade the air conditioning and/or other environmental control devices for the building in general, and such upgrade is made necessary by the presence of the Interconnector in the building generally, the cost of such air conditioning units or other environmental control devices shall be allocated between the Company and the Interconnectors which benefit from the upgrades. Such allocation will be based on a ratio of the number of square feet occupied by each Interconnector to the total square feet of the Company premises space being upgraded.
9. With the exception of day-to-day equipment additions or modifications within existing frames, the Interconnector shall not make installations, alterations, or additions in or to the collocation space without submitting plans or specifications to the Company and securing the prior written consent of the Company in each instance. Consent shall not be unreasonably withheld or unduly delayed for non structural interior alternations to the collocation space that do not adversely affect the building's appearance, value, structural strength and mechanical integrity. Such work will be done at the sole expense of the Interconnector.

# Expanded Interconnection under a Physical Collocation arrangement is grandfathered to existing customers with existing arrangements in place as of July 1, 2009. (N)  
(N)

(D)

ACCESS SERVICE TARIFF

Embarq Florida, Inc.  
By: John M. Felz, Director

Second Revised Page 19  
Cancels First Revised Page 19

Effective: July 1, 2009

E17. EXPANDED INTERCONNECTION SERVICES

E17.1 Expanded Interconnection (Cont'd)# (N)

E17.1.5 Physical Collocation (Cont'd)# (C)

C. (Cont'd)

10. The Interconnector shall not interconnect equipment or facilities in its collocation space with equipment or facilities within another Interconnector's collocations space by any means other than through Company provided services or facilities. The Interconnector shall not provide or make available to any third party any portion of space or location within its collocation space.
11. Expanded interconnection is provided for the sole purpose of connecting an Interconnector's transport facilities to other tariffed services offered by the Company, including unbundled local exchange network elements offered to Interconnectors certified as a competitive local exchange service provider. Connection may only be made with the provision of Expanded Interconnection and only through the interconnection point designated by the Company. The Company will provide at least two separate points of interconnection to the central office where there are two entry points for the Company's cable facilities, except for situations where one entry of a two entry office is filled to capacity. In situations where two entry points are not immediately available, the Company shall perform the work necessary to make separate points of entry available to the Interconnector at the same time it makes such points of entry available for itself. Normal conduit space charges as set forth in E17.1.7.A.8 and .9 will apply per entry point.
12. The Company will also provide primary and backup DC power, at the rates set forth in E17.1.7.A.5 following, to the Interconnector's equipment in the same manner that it provides such power to its own equipment within the Company premises.

# Expanded Interconnection under a Physical Collocation arrangement is grandfathered to existing customers with existing arrangements in place as of July 1, 2009. (N)  
(N)

(D)

ACCESS SERVICE TARIFF

Embarq Florida, Inc.  
By: John M. Felz, Director

Second Revised Page 20  
Cancels First Revised Page 20

Effective: July 1, 2009

E17. EXPANDED INTERCONNECTION SERVICES

E17.1 Expanded Interconnection (Cont'd)# (N)

E17.1.5 Physical Collocation (Cont'd)# (C)

C. (Cont'd)

13. The Company shall arrange for the construction of, or allow a mutually agreed upon contractor selected by the Interconnector to construct, a secure enclosure around the collocated floor space. The enclosure shall consist of a lockable, eight foot high, wire mesh security fence surrounding the perimeter of the Interconnector's collocation space and shall conform to the standards for health, safety and security to which the Company presently adheres within a Company premises. The rates for secure enclosures constructed by the Company are set forth in E17.1.7.A.6. and E17.1.7.A.7. following. In situations where the Company must install environmental support to prepare the space for collocation, the charges will also be calculated and billed to the Interconnector on a time and material basis.
14. Except where the Interconnector purchases unbundled local exchange network transmission elements from the Company, the Interconnector shall bring its fiber optic cable to a manhole or other Company designated interconnection point and provide sufficient cable length, as mutually determined by the Company and the Interconnector, to extend the cable into the Company premises cable entrance(s).
15. Except where the Interconnector purchases unbundled local exchange network transmission elements from the Company, the Interconnector shall provide fire retardant fiber optic riser cable of sufficient length, as jointly determined by the Company and the Interconnector, to extend from the cable entrance(s) to the designated collocation space.

# Expanded Interconnection under a Physical Collocation arrangement is grandfathered to existing customers with existing arrangements in place as of July 1, 2009. (N)  
(N)

(D)

ACCESS SERVICE TARIFF

Embarq Florida, Inc.  
By: John M. Felz, Director

Second Revised Page 21  
Cancels First Revised Page 21

Effective: July 1, 2009

E17. EXPANDED INTERCONNECTION SERVICES

E17.1 Expanded Interconnection (Cont'd)# (N)

E17.1.5 Physical Collocation (Cont'd)# (C)

C. (Cont'd)

16. The Interconnector shall extend the fiber optic cable from the manhole, or other designated interconnection point, into the Company premises cable vault and splice the cable to the Interconnector-provided fire retardant riser cable. The Interconnector shall provide a secure dedicated fire retardant splice enclosure and shall tag all facilities to indicate ownership. The Company shall extend the riser cable through the Company premises and deliver it to the Interconnector's collocation space. The Company shall be responsible for providing conduit space (Conduit Space - Per Foot) and cable vault space with support structures (Conduit space - vault) at the rates set forth in E17.1.7.A.8 and .9 following.
17. The Interconnector shall bring its microwave facilities to an interconnection point designated by the Company and extend the cable into the Company premises to the designated collocation space. The Interconnector shall tag all facilities to indicate ownership. The Company shall be responsible for providing conduit space (Riser Space - Fixed) at the rates set forth in E17.1.7.A.8 and .9 following.
18. The Company shall designate a point of connection (Cross-Connect) where its network connects with the Interconnector's transport facilities in the collocation space. The point of connection defines the physical demarcation between the Interconnector's transport facilities and the Company's network. The Company will provide an electrical cross-connect at the rates specified in E17.1.7.A.10 through .12 following. The Interconnector is responsible for optical to electrical or speed conversions, multiplexing, or any other change required to connect the Interconnector's transport facilities to Company equipment and facilities at compatible interfaces, levels or speeds.

# Expanded Interconnection under a Physical Collocation arrangement is grandfathered to existing customers with existing arrangements in place as of July 1, 2009. (N)  
(N)

(D)

ACCESS SERVICE TARIFF

Embarq Florida, Inc.  
By: John M. Felz, Director

Second Revised Page 22  
Cancels First Revised Page 22

Effective: July 1, 2009

E17. EXPANDED INTERCONNECTION SERVICES

- E17.1 Expanded Interconnection (Cont'd)# (N)  
E17.1.5 Physical Collocation (Cont'd)# (C)

C. (Cont'd)

19. When the Interconnector orders a DS3 or DS1 electrical cross-connect for use with switched access services, the Interconnector must also order appropriate multiplexing. DS3 to DS1 multiplexing provides an arrangement that multiplexes a single DS3 digital circuit at a rate of 44.736 Mbps to 28 DS1 digital circuits. DS1 to DS0 multiplexing provides an arrangement that multiplexes a single DS1 digital circuit at a rate of 1.544 Mbps to 24 DS0 digital circuits. The rates for DS3 to DS1 and DS1 to DS0 multiplexing are set forth in E6.8.2.D preceding.
20. The Company will permit the Interconnector to locate certain transmission equipment within the Interconnector's collocated space in the Company premises including, but not limited to:
- Optical Line Terminating Multiplexers
  - Central Office Multiplexers
  - Digital Cross Connect Panels
  - Optical Cross Connect Panels
  - Digital Loop Carrier

Transmission equipment not specifically identified above may only be located within the Interconnector's collocated space upon written approval from the Company. Except for equipment that meets the standards that the Company applies to its own equipment and that is used for interconnecting to unbundled local exchange network elements, switching equipment may not be located within the Interconnector's collocated space. Should the Interconnector require the placement of integrated equipment (i.e., transmission and switching functionality), the Company will allow such placement upon certification by the Interconnector that, except for the purpose of providing multiplexing and/or signal aggregation functionality between the Company's network or unbundled network elements and the Interconnector's transmission facilities, the switching functionality will not be used and the device will be used only to terminate or aggregate basic transmission facilities.

- # Expanded Interconnection under a Physical Collocation arrangement is grandfathered to existing customers with existing arrangements in place as of July 1, 2009. (N)  
(N)

(D)

ACCESS SERVICE TARIFF

Embarq Florida, Inc.  
By: John M. Felz, Director

Second Revised Page 23  
Cancels First Revised Page 23

Effective: July 1, 2009

E17. EXPANDED INTERCONNECTION SERVICES

E17.1 Expanded Interconnection (Cont'd)# (N)

E17.1.5 Physical Collocation (Cont'd)# (C)

- D. The Company shall permit the Interconnector's authorized employees, agents and contractors to have access to the Interconnector's cable, associated equipment, and collocation space at all reasonable times, provided that the Interconnector's employees, agents, and contractors comply with Company policies and practices pertaining to work stoppages, fire, safety and security. The Interconnector's authorized employees, agents and contractors must be accompanied by a Security Escort from the time of entry to a Company premises to the time of departure, including time spent in common areas such as restrooms. When such security is provided by authorized Company personnel, the Interconnector will be charged in accordance with the Additional Labor provisions set forth in E13.2 preceding. When a third party security agent is employed, the associated charges will be billed to the Interconnector on a pass through basis. With the exception of emergency situations, the Interconnector must provide at least 24 hours notice of its intent to enter the Company premises.
- E. The Company reserves the right to inspect the Interconnector's completed installation of equipment and facilities, and to make subsequent and periodic inspections of the Interconnector's equipment and facilities occupying collocation space and associated entrance conduit and riser space. If the Interconnector is found to be in noncompliance with the terms and conditions set forth in this section, the Interconnector will be required to modify its installation to ensure compliance. The Company will notify the Interconnector in advance of such inspections, and the Interconnector shall have the right to be present at the time of inspection.
- F. The Interconnector will provide the Company with access to the collocation space at all times to allow the Company to react to emergencies, provide services, and inspect for compliance with fire, safety, and health regulations or standards.

# Expanded Interconnection under a Physical Collocation arrangement is grandfathered to existing customers with existing arrangements in place as of July 1, 2009. (N)  
(N)

(D)

ACCESS SERVICE TARIFF

Embarq Florida, Inc.  
By: John M. Felz, Director

Second Revised Page 24  
Cancels First Revised Page 24

Effective: July 1, 2009

E17. EXPANDED INTERCONNECTION SERVICES

E17.1 Expanded Interconnection (Cont'd)# (N)

E17.1.5 Physical Collocation (Cont'd)# (C)

- G. For all Interconnector work performed or installed in Company conduit systems, Company premises outside the collocation space, or other Company locations used by other parties, the Company reserves the right to:
  - 1. Require, at the Company's sole discretion, a Security Escort chargeable to the Interconnector. The Additional Labor charges set forth in E13 preceding will apply for Security Escort services provided by the Company.
  - 2. Prohibit the placement of any and all equipment or facilities other than cable in Company owned or controlled areas.
  - 3. Designate the location of cable splices.
  - 4. Approve all installations.
  - 5. Require that the Interconnector, at its sole expense, obtain any necessary right-of-way or other permits.
- H. The Interconnector is subject to recurring and/or nonrecurring rates and charges for the use of Company owned or controlled space and facilities, and for installation work functions provided by the Company. The rates and charges associated with physical collocation are set forth in E17.1.7.A following. Nonrecurring charges for additional engineering and labor incurred by the Company will be calculated on a time and material basis as specified in E13 preceding.

# Expanded Interconnection under a Physical Collocation arrangement is grandfathered to existing customers with existing arrangements in place as of July 1, 2009. (N)  
(N)

(D)

ACCESS SERVICE TARIFF

Embarq Florida, Inc.  
By: John M. Felz, Director

Second Revised Page 25  
Cancels First Revised Page 25

Effective: July 1, 2009

E17. EXPANDED INTERCONNECTION SERVICES

E17.1 Expanded Interconnection (Cont'd)# (N)

E17.1.5 Physical Collocation (Cont'd)# (C)

- I. At the Company's option, the Company may provide facilities or equipment including, but not limited to, conduit, riser supports and termination frames, in such a fashion that the facilities or equipment is shared or used in common with other parties. Requests by an Interconnector for dedicated or special arrangements may result in additional charges.
- J. If mutually agreed to by the Company and the Interconnector, the Company will perform Interconnector installation and/or maintenance work functions for an additional fee. The Company will be responsible for all maintenance and related activities on the Company side of the space. Company provided mechanical or fusion splices and other installation functions will be performed using methods consistent with Company practices. The charges for installation work functions performed by the Company on behalf of the Interconnector will be calculated on a time and material basis as specified in 13 preceding.
- K. In the event the Company determines that it is necessary for the Interconnector to move its collocated space within a Company premises or to another Company premises, the Interconnector is required to comply. The Company is responsible for the costs associated with the removal, transport and reinstallation of the Interconnector's equipment within the Company premises.
- L. Should the Interconnector request that its collocated space be moved within the Company premises or to another Company premises, the Company will permit the Interconnector to relocate its collocated space, subject to the availability of space and associated requirements. The Interconnector is solely responsible for the costs associated with the preparation of new collocated space at the new location and for the removal, transport and reinstallation of its equipment.

# Expanded Interconnection under a Physical Collocation arrangement is grandfathered to existing customers with existing arrangements in place as of July 1, 2009. (D)



ACCESS SERVICE TARIFF

Embarq Florida, Inc.  
By: John M. Felz, Director

Second Revised Page 26  
Cancels First Revised Page 26

Effective: July 1, 2009

E17. EXPANDED INTERCONNECTION SERVICES

- E17.1 Expanded Interconnection (Cont'd)# (N)  
E17.1.5 Physical Collocation (Cont'd)# (C)

- M. The Company and the Interconnector are each responsible for notifying the other of significant outages which could impact or degrade either party's network and services, and provide estimated clearing time for restoral. The Company and the Interconnector are responsible for testing, cooperatively if necessary, to identify and clear a trouble when the trouble has been realized to the portion of the service each provides.
- N. If trouble detected by or reported to the Company results in the Company dispatching its employees to the Interconnector's collocation space, and the trouble is not caused by Company equipment or facilities, the Interconnector will be so notified and will be liable for the maintenance of service charge as specified in E13 preceding.
- O. The Interconnector and Company are each responsible for providing to the other a contact list of technical personnel accessible 24 hours a day, 7 days a week.
- P. In the event that the Interconnector's use of its microwave systems cause broadcast interference, the Company, at its sole discretion, shall have the right to cause the Interconnector to cease the operation of its microwave system until such broadcast interference can be corrected. The Company shall incur no liability to the Interconnector or any other person as a result of ordering the Interconnector to cease using its system in accordance with the foregoing.
- Q. Upon disconnection of service, the Interconnector shall, at its expense, disconnect and remove all Interconnector facilities and equipment from the collocation space and from all other Company owned or controlled areas in the Company premises in which the Company has allowed the Interconnector to place facilities and equipment.

# Expanded Interconnection under a Physical Collocation arrangement is grandfathered to existing customers with existing arrangements in place as of July 1, 2009. (N)  
(N)

(D)

ACCESS SERVICE TARIFF

Embarq Florida, Inc.  
By: F. B. Poag, Director

First Revised Page 27  
Cancels Original Page 27

Effective: January 1, 1997

E17. EXPANDED INTERCONNECTION SERVICES

E17.1.6 Virtual Collocation

- A. The Interconnector shall provide to the Company a written application for the provision of Virtual Collocation. Completed applications must be accompanied by the Application Fee set forth in E17.1 7.B.1 following, and will be processed by the Company within 30 days on a first-come, first-served basis. The Application Fee will be applied on a per end office basis.
- B. If central office space is unavailable or if an Interconnector withdraws its request, the Application Fee, less the costs incurred by the Company (e.g., administrative activities required to process the application), will be refunded.
- C. Virtual Collocation will be provided as specified below:
  1. The Interconnector shall bring its fiber optic cable to a manhole near the central office, or in the event the manhole near the central office cannot be used by the Company to provide the interconnection to another Company designated interconnection point outside the serving wire center. This interconnection point will define the physical demarcation between the Interconnector's transport facilities and the Company's network.
  2. The Interconnector must obtain the electronic and peripheral equipment necessary for terminating its network in the Company's central office. The Company will lease such equipment from the Interconnector for \$1 in each central office where the Interconnector subscribes to virtual collocation. Upon termination of the lease, the Interconnector is responsible for the cost of removing the equipment from the Company's central office.

Tariff Page revised 6/5/2006 to reflect company name change from Sprint to Embarq.

ACCESS SERVICE TARIFF

Embarq Florida, Inc.  
By: F. B. Poag, Director

First Revised Page 28  
Cancels Original Page 28

Effective: January 1, 1997

E17. EXPANDED INTERCONNECTION SERVICES

E17.1.6 Virtual Collocation (Cont'd)

C. (Cont'd)

3. The Company has exclusive control of and responsibility for installation and maintenance of all terminating equipment dedicated to the Interconnector and located in the Company's central office.
4. The Interconnector must pay to train a minimum of three Company personnel to install and maintain terminating equipment dedicated to the Interconnector which is not a type normally used in the Company's network, as well as provide sufficient spare parts to allow timely repairs. Installation and/or maintenance performed on equipment dedicated to an Interconnector under a virtual collocation arrangement will be charged to the Interconnector on a time and material basis. The associated labor charges are set forth in E13 preceding.
5. If the Company's labor contracts permit the use of third party contractors for the installation and/or maintenance of equipment of the type dedicated to the Interconnector, the Interconnector will be allowed the opportunity to contract with the Company to perform such installation and/or maintenance.
6. When the Interconnector has contracted with the Company to perform installation and/or maintenance of equipment dedicated to the Interconnector, the Company may, at its sole discretion, require that a security escort be present while the Interconnector is in the Company's premises. Security escort services will be charged for on a per half hour basis as set forth in E17.1.7.B.9. following.

Tariff Page revised 6/5/2006 to reflect company name change from Sprint to Embarq.

ACCESS SERVICE TARIFF

Embarq Florida, Inc.  
By: F. B. Poag, Director

First Revised Page 29  
Cancels Original Page 29

Effective: January 1, 1997

E17. EXPANDED INTERCONNECTION SERVICES

E17.1.6 Virtual Collocation (Cont'd)

C. (Cont'd)

7. The Company will restrict the amount of installed dedicated equipment based on the level of the current operational requirements of the Interconnector.
8. The Company will designate a point of connection (Cross-Connect) where its network connects with the virtually collocated terminating equipment. The Company will provide an electrical cross-connect at the rates specified in E17.1.7.B.2 through E17.1.7.B.4 following.
9. When the Interconnector orders a DS3 electrical cross-connect for use with Switched Access services, the Interconnector must also order DS3 to DS1 multiplexing. DS3 to DS1 multiplexing provides an arrangement that multiplexes a single DS3 digital circuit at a rate of 44.736 Mbps to twenty-eight DS1 digital circuits. The rates for DS3 to DS1 multiplexing are specified in E6.8.2.D preceding.
10. Equipment dedicated to an Interconnector shall not interconnect with equipment dedicated to another Interconnector by any means other than through Company provided services or facilities.

Tariff Page revised 6/5/2006 to reflect company name change from Sprint to Embarq.

ACCESS SERVICE TARIFF

Embarq Florida, Inc.  
By: F. B. Poag, Director

First Revised Page 30  
Cancels Original Page 30

Effective: January 1, 1997

E17. EXPANDED INTERCONNECTION SERVICES

E17.1.6 Virtual Collocation (Cont'd)

C. (Cont'd)

11. Expanded Interconnection is provided for the sole purpose of connecting an Interconnector's transport facilities to tariffed services of the Company, including unbundled local exchange network elements. Connection may only be made with the provision of Expanded Interconnection and only at the interconnection point designated by the Company. The Company will provide two separate points of entry to the central office for service to Interconnectors, where there are two entry points for the Company's cable facilities, except where one entry of a two-entry office is filled to capacity.
12. If trouble detected by, or reported to, the Company is caused by equipment leased from the Interconnector, the Interconnector will be so notified and will be liable for the maintenance visit charge as specified in E13.2.6 preceding, in addition to any other applicable charges as set forth in this tariff.
13. In the case of virtual collocation, the checker board arrangement would apply to the equipment rack, if sufficient space is available. This would allow an interconnector to expand to a space in the equipment rack directly adjacent to its existing space.

- D. The Company and the Interconnector are each responsible for notifying the other of significant outages which could impact or degradate either party's network and services, and provide estimated clearing time for restoral. The Company and the Interconnector are responsible for testing, cooperatively if necessary, to identify and clear a trouble when the trouble has been realized to the portion of the service each provides.

Tariff Page revised 6/5/2006 to reflect company name change from Sprint to Embarq.

ACCESS SERVICE TARIFF

Embarq Florida, Inc.  
By: John M. Felz, Director

Second Revised Page 31  
Cancels First Revised Page 31

Effective: July 1, 2009

E17. EXPANDED INTERCONNECTION SERVICES

E17.1 Expanded Interconnection (Cont'd)# (N)

E17.1.7 Rates and charges

A. Physical Collocation# (C)

	<u>Monthly Rate</u>	<u>Nonrecurring Charges</u>
1. Application Fee		\$3,548.35
2. Floor Space - per square foot	\$6.19	
3. Roof Space - per square foot	\$6.19	
4. Transmitter/Receiver Space - per square foot	\$6.19	
5. DC Power - per Fuse AMP	\$11.41	\$25.66/ power lead/ft
6. Security enclosure - per 100 square foot enclosure		\$9,473.59
7. Security enclosure - per 200 square foot enclosure		13,263.53
8. Conduit space – per foot - per linear foot	\$0.37	
9. Conduit space – Fixed (Vault) - per arrangement	\$1.16	
10. DS0 Electrical cross-connect - Switched Access	\$0.94	
- Special Access	\$0.94	
11. DS1 Electrical cross-connect - Switched Access	\$2.93	
- Special Access	\$2.93	
12. DS3 Electrical cross-connect - Switched Access	\$25.85	
- Special Access	\$25.85	

# Expanded Interconnection under a Physical Collocation arrangement is grandfathered to existing customers with existing arrangements in place as of July 1, 2009. (N)  
(N)

(D)

ACCESS SERVICE TARIFF

Embarq Florida, Inc.  
By: John M. Felz, Director

Third Revised Page 32  
Cancels Second Revised Page 32

Effective: July 1, 2009

E17. EXPANDED INTERCONNECTION SERVICES

E17.1 Expanded Interconnection (Cont'd)# (N)

E17.1.7 Rates and charges

A. Physical Collocation# (C)

	<u>Monthly Rate</u>	<u>Nonrecurring Charges</u>
13. Riser Space - per linear foot	\$4.45	
14. Diverse Riser Space - per linear foot	\$4.45	
15. Interconnection rearrangement - per service reconfigured		\$85.00
16. Cable pull and splice - per half hour	See 13 additional labor rates	
17. Installation and/or maintenance - per half hour	See 13 additional labor rates	
18. Security Escort - per half hour	See 13 additional labor rates	
19. Internal cabling* - per linear foot	\$0.14	
20. Internal conduit** - per linear foot	\$0.48	

# Expanded Interconnection under a Physical Collocation arrangement is grandfathered to existing customers with existing arrangements in place as of July 1, 2009. (N)  
(N)

\* Internal Cabling under a Physical Collocation arrangement is grandfathered to existing customers with existing arrangements in place as of May 6, 2009.

\*\* Internal Conduit under a Physical Collocation arrangement is grandfathered to existing customers with existing arrangements in place as of May 6, 2009.

ACCESS SERVICE TARIFF

Embarq Florida, Inc.  
By: F. B. Poag, Director

First Revised Page 33  
Cancels Original Page 33

Effective: January 1, 1997

E17. EXPANDED INTERCONNECTION SERVICES

E17.1.7 Rates and Charges (Cont'd)

2. Virtual Collocation

		<u>Nonrecurring Charges</u>		
		<u>Monthly Rates</u>	<u>Nonrecurring Charges</u>	
			<u>Initial</u>	<u>Subsequent</u>
1.	Application Fee	\$2,520.00		
2.	DS0 Electrical Cross-Connect	\$ 1.30		
3.	DS1 Electrical Cross-Connect	\$ 4.45		
4.	DS3 Electrical Cross-Connect	\$53.55		
5.	Internal Cable - Per Linear Foot	\$ 0.19		
6.	Internal Conduit Space - Per Foot \$ 0.53			
7.	External Cabling and Conduit - Per 1/4 Mile	\$481.55		
8.	Maintenance See E13.3.1.C, - Per Half Hour			Additional Labor Periods
9.	Security Escort/Installation - Per Half Hour			See 13.2.6.3, Additional Labor Periods
10.	Interconnection Rearrangement - per service reconfigured			\$92.00

Tariff Page revised 6/5/2006 to reflect company name change from Sprint to Embarq.



ACCESS SERVICE TARIFF

Embarq Florida, Inc. d/b/a CenturyLink  
By: Gary L. Kepley, Director

Second Revised **Contents** Page 1 (T)  
Cancels First Revised **Contents** Page 1 (T)  
Effective: March 13, 2015

E18. FRAME RELAY

CONTENTS

	<u>Page</u>	
E18.1 Frame Relay Service	1	
E18.1.1 Service Description	2	
E18.1.2 Service Components	<b>2</b>	(T)
E18.1.3 Rate Regulations	4	
E18.1.4 Rates and Charges	5	

ACCESS SERVICE TARIFF

Embarq Florida, Inc. d/b/a CenturyLink  
By: Gary L. Kepley, Director

Third Revised Page 1  
Cancels Second Revised Page 1  
Effective: March 13, 2015

E18. FRAME RELAY

E18.1 Frame Relay Service

**Effective June 1, 2015, CenturyLink's Frame Relay Access Service will no longer be available to new customers for new orders nor will new orders from existing customers be accepted (except to the extent permitted by term discount plan/contract).**

(N)

**Existing customers of this service will be grandfathered as follows:**

- **As of June 1, 2015, month-to-month customers will no longer be able to purchase this service.**
- **Existing term discount plans/contracts for this service will not be renewed.**
- **Customers with a term discount plan/contract that expires between March 13, 2015 and June 1, 2015 may retain their Frame Relay Service on a month-to-month basis until June 1, 2015.**
- **Customers with a term discount plan/contract that expires after June 1, 2015 may retain their Frame Relay Service covered by that term discount plan/contract until the expiration of that term discount plan/contract. If a customer is currently under a term discount plan/contract and wishes to move to another service, cancellation charges will not apply.**

(N)

E18.1.1 Service Description

- A. Frame Relay Service (FRS) is a fast packet network that provides the customer high speed access and throughput to different customer addresses. Utilizing statistical multiplexing, the frame relay network enables the customer to allocate circuit bandwidth to applications as needed, rather than assigning fixed channels to specific applications.
- B. Permanent Virtual Connections (PVCs) are logical channels that connect ports on a frame relay switch or between frame relay switches. PVCs are end-to-end, bidirectional channels established and disestablished via the service order process. A separate PVC must be established to each location that the customer desires to transmit data. These PVC channels are virtual because they are established in software tables and do not tie up facilities when not in use. Multiple PVCs can be defined over a single Frame Relay Access Link, thereby providing a single access line the capability to transmit data to multiple destinations.
- C. Physical access to the Company's frame relay network is provided via a special access channel termination. Special access channel terminations must be ordered in accordance with the provisions set forth in E7 preceding. Customers who purchase FRS must also ensure that the special access facilities ordered from the Company are equipped with Bipolar with 8 Zero Substitution (B8ZS) line code, as well as Extended Super Frame (ESF) capability for DS1 facilities. The Company will provision FRS to support industry standards for the User to Network Interface (UNI) and the Network to Network Interface (NNI).

ACCESS SERVICE TARIFF

Embarq Florida, Inc.  
By: F. B. Poag, Director

Second Revised Page 2  
Cancels First Revised Page 2

Effective: March 3, 1999

E18. FRAME RELAY

E18.1 Frame Relay Service (Cont'd)

E18.1.1 Service Description (Cont'd)

- D. FRS is offered where facilities exist. If it is necessary to construct facilities to satisfy service requests, the service may be provided pursuant to the Company's Special Construction E14 preceding.

E18.1.2 Service Components

A. Access to the Frame Relay Network

Special access channel terminations are used to provide transport from the customer premises to the FRS UNI or NNI Port Connection. Special access channel terminations are provided under E7 preceding, and are available at speeds of 56.0 kbps, 64.0 kbps and 1.544 Mbps for the UNI Port Connection and at 1.544 Mbps and 44.736 Mbps for the NNI Port Connection.

B. User to Network Interface (UNI) Port Connection

The User to Network Interface (UNI) Port Connection is a standard interface used to connect the end user to the Company's frame relay network. It receives the data frame from the customer's network or CPE devices and verifies that the customer address destination is valid before relaying the frame.

The UNI Port Connection is available at 56.0/64.0 kbps through 1.544 Mbps. The transmission speed of the UNI Port Connection may not exceed the transmission speed of the special access channel termination. One special access channel termination is required per UNI Port Connection.

Tariff Page revised 6/5/2006 to reflect company name change from Sprint to Embarq.

ACCESS SERVICE TARIFF

Embarq Florida, Inc. d/b/a CenturyLink  
By: Gary L. Kepley, Director

Fourth Revised Page 3  
Cancels Third Revised Page 3  
Effective: March 13, 2015

E18. FRAME RELAY

E18.1 Frame Relay Service (Cont'd)

E18.1.2 Service Components (Cont'd)

C. Network to Network Interface (NNI) Port Connection

The Network to Network Interface (NNI) Port Connection, bi-directional polling between the Telephone Company's FRS switch and the interexchange carrier's or other customer's network.

The NNI Port Connection is available at 1.544 Mbps and 44.736 Mbps. The NNI Port Connection must be provided at the same transmission speed as the special access channel termination. One special access channel termination is required per NNI Port Connection.

D. Permanent Virtual Circuits (PVCs)

The PVC provides a software defined electronic path between two port connections within the frame relay network. The PVC provides a software-defined electronic path between two port connections within the frame relay network. A UNI or NNI Port Connection can be associated with any number of PVCs. Since all PVCs need not be in use at the same time, it is possible for the total bandwidth of all PVCs associated with one Port Connection to exceed the bandwidth of the Port Connection. It is not possible, however, for the simultaneous aggregate of the PVC's throughput to exceed the bandwidth of the Port Connection. Such a relationship is referred to as over-subscription or overbooking, and when this occurs, there can be no guarantee that the bandwidth defined for that PVC will be available at any point in time.

E. Committed Information Rate (CIR)

CIR defines the amount of data throughput on a designated PVC that the Company will support under normal operating conditions. Any data burst beyond the CIR may be labeled Discard Eligible (DE) if the data transfer rate exceeds the CIR of the PVC being used. If the frame relay network develops congestion, the frames marked DE may be discarded.

(M)  
|  
(M)

(M) Material moved to this page previously found on Page 4.

15-01A

ACCESS SERVICE TARIFF

Embarq Florida, Inc. d/b/a CenturyLink  
By: Gary L. Kepley, Director

Second Revised Page 4  
Cancels First Revised Page 4  
Effective: March 13, 2015

E18. FRAME RELAY

E18.1 Frame Relay Service (Cont'd)

E18.1.3 Rate Regulations

(M)

The minimum service period for Frame Relay Gateway Access is one month.

When the customer orders additional PVCs with a designated CIR, the CIR nonrecurring charge shall apply. When a change is made to a customer's frame relay configuration at the customer's request, the administrative nonrecurring charge shall apply. Such changes are defined as those rearrangements necessary to add, delete, or rearrange the customer's configuration, including changes to CIRs. Although multiple changes may be caused by such actions, only one administrative charge shall apply.

When the customer changes the CIR on an existing PVC, the CIR nonrecurring charge will apply in addition to the administrative nonrecurring charge.

E18.1.4 Rates and Charges

(N)

**Effective June 1, 2015, CenturyLink's Frame Relay Access Service will no longer be available to new customers for new orders nor will new orders from existing customers be accepted (except to the extent permitted by term discount plan/contract).**

**Existing customers of this service will be grandfathered as follows:**

- **As of June 1, 2015, month-to-month customers will no longer be able to purchase this service.**
- **Existing term discount plans/contracts for this service will not be renewed.**
- **Customers with a term discount plan/contract that expires between March 13, 2015 and June 1, 2015 may retain their Frame Relay Service on a month-to-month basis until June 1, 2015.**
- **Customers with a term discount plan/contract that expires after June 1, 2015 may retain their Frame Relay Service covered by that term discount plan/contract until the expiration of that term discount plan/contract. If a customer is currently under a term discount plan/contract and wishes to move to another service, cancellation charges will not apply.**

(N)

(M) Material previously found on this page moved to Page 3.

15-01A

ACCESS SERVICE TARIFF

Embarq Florida, Inc. d/b/a CenturyLink  
 By: Gary L. Kepley, Director

Fifth Revised Page 5  
 Cancels Fourth Revised Page 5  
 Effective: March 13, 2015

E18. FRAME RELAY

E18.1 FRAME RELAY SERVICE (Cont'd)

E18.1.4 Rates and Charges (Cont'd)

(T)

	<u>Nonrecurring</u>	<u>Monthly</u>
User to Network Interface (UNI) Port Connection		
56/64 kbps	\$362.00	\$ 55.00
1.544 Mbps	976.00	400.00
Network to Network Interface (NNI) Port Connection		
1.544 Mbps	585.00	400.00
44.736 Mbps	725.00	2,400.00
Permanent Virtual Circuit with:		
<u>kbps CIR</u>		
2.4	\$ 10.00	\$ 2.00
4.8	10.00	2.00
8.0	10.00	2.00
9.6	10.00	2.00
16.0	10.00	4.00
19.2	10.00	4.00
28.0	10.00	4.00
32.0	10.00	4.00
38.4	10.00	6.00
48.0	10.00	8.00
56.0	10.00	10.00
64.0	10.00	10.00
128.0	10.00	14.00
192.0	10.00	16.00
256.0	10.00	18.00
384.0	10.00	22.00
512.0	10.00	26.00
640.0	10.00	30.00
768.0	10.00	34.00
1024.0	10.00	50.00
Administrative Charge	50.00	None

ACCESS SERVICE TARIFF

Embarq Florida, Inc.  
**d/b/a CenturyLink**  
By: Gary L. Kepley, Director

Fourth Revised Page 1  
Cancels Third Revised Page 1 (T)

Effective: July 2, 2013

**E19. PRICE FLEXIBILITY SWITCHED ACCESS SERVICE**

(N)

**CONTENTS**

	<u>Page No.</u>
<b>E19. <u>Pricing Flexibility Switched Access Service</u></b>	<b>1</b>
<b>E19.1 General Regulations</b>	<b>2</b>
<b>E19.2 Application of Rates and Charges</b>	<b>3</b>
<b>E19.3 Metropolitan Statistical Areas and Zones</b>	<b>4</b>
<b>E19.4 Rates and Charges</b>	<b>5</b>

(N)

ACCESS SERVICE TARIFF

Embarq Florida, Inc  
By: F. B. Poag, Director

Seventh Revised Page 2  
Cancels Sixth Revised Page 2

Effective: April 11, 2003

E19. RESERVED FOR FUTURE USE  
CONTENTS

Tariff Page revised 6/5/2006 to reflect company name change from Sprint to Embarq.



ACCESS SERVICE TARIFF

Embarq Florida, Inc  
By: F. B. Poag, Director

Fifth Revised Page 1  
Cancels Fourth Revised Page 1

Effective: April 11, 2003

E19. RESERVED FOR FUTURE USE

Tariff Page revised 6/5/2006 to reflect company name change from Sprint to Embarq.

Effective: July 2, 2013

**E19. PRICE FLEXIBILITY SWITCHED ACCESS SERVICE**

(N)

**E19. PRICING FLEXIBILITY SWITCHED ACCESS SERVICE****E19.1 General Regulations**

(A) ***This section of the tariff provides the regulations, rates and charges applicable to WATSwitched transport services provided by the Telephone Company in the Metropolitan Statistical Areas (MSAs) for which the Telephone Company has received Phase II pricing flexibility pursuant to Subpart H of Part 69 of the Federal Communications Commission's rules. The specific MSAs for which pricing flexibility has been granted are listed in Section 19.3 following.***

(B) ***The pricing flexibility WATSwitched transport services provided in MSAs pursuant to this section include:***

- ***Voice Grade, DS1 and DS3 Entrance Facilities***
- ***Voice Grade, DS1 and DS3 Direct-Trunked Transport***
- ***WATStrunk Ports***
- ***DS1 to Voice and DS3 to DS1 Multiplexing***
- ***Switched Transport Installation***
- ***CCS/SS7 Interconnection Service***
- ***STS1 and OptiPoint Entrance Facilities***
- ***STS and OptiPoint Direct-Trunked Transport***
- ***STS to DS1 Multiplexing***
- ***OptiPoint Configuration Nodes and Cards***
- ***OptiPoint Service Upgrades***
- ***OptiPoint Reconfiguration Charges***
- ***OptiPoint Regeneration Charges***

***The general regulations, service descriptions, optional features, service provisioning, obligations of the Telephone Company and customer, and rate regulations set forth in Sections 6.1 through 6.7 preceding for switched access services are applicable to the pricing flexibility services specified in this section. Where the regulations in Section 6 conflict with those set forth in this section, the regulations specified herein for the provision of switched access services in the Telephone Company's pricing flexibility MSAs will supersede any inconsistencies.***

(C) ***Unless otherwise provided in this section, the regulations set forth in Sections 1, 2, 5, and 13 are applicable to switched access services provided in the Telephone Company's pricing flexibility MSAs.***

(N)

Effective: July 2, 2013

**E19. PRICE FLEXIBILITY SWITCHED ACCESS SERVICE**

(N)

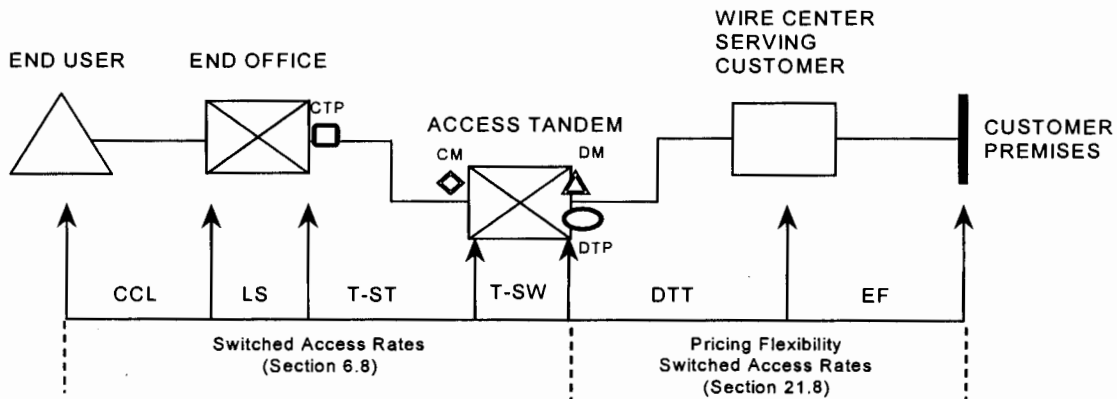
**E19. PRICING FLEXIBILITY SWITCHED ACCESS SERVICE (Cont'd)**

**E19.2 Application of Rates and Charges**

The rates and charges for switched access services provided in pricing flexibility MSAs are set forth in 19.4 following. Rates and charges for the non-flexibility service areas are set forth in Section 6.8 preceding. When switched access service in a pricing flexibility MSA is provided under a zone density plan as set forth in Section E6.7.15, channel mileage will be deemed to be offered in the highest priced zone.

The following examples depict a typical switched WATSpoint-to-point service provided within a pricing flexibility MSA, and between a pricing flexibility MSA and a non-flexibility service area.

**(A) Switched Access Service within a Pricing Flexibility MSA**



- CCL: CARRIER COMMON LINE
- LS: LOCAL SWITCHING
- T-ST: TANDEM-SWITCHED TRANSMISSION (FIXED & PER MILE)
- T-SW: TANDEM SWITCHING
- DTT: DIRECT-TRUNKED TRANSPORT
- EF: ENTRANCE FACILITY
- CTP: COMMON TRUNK PORT
- CM: COMMON TRANSPORT MULTIPLEXING
- DTP: DEDICATED TRUNK PORT
- DM: DEDICATED MULTIPLEXING

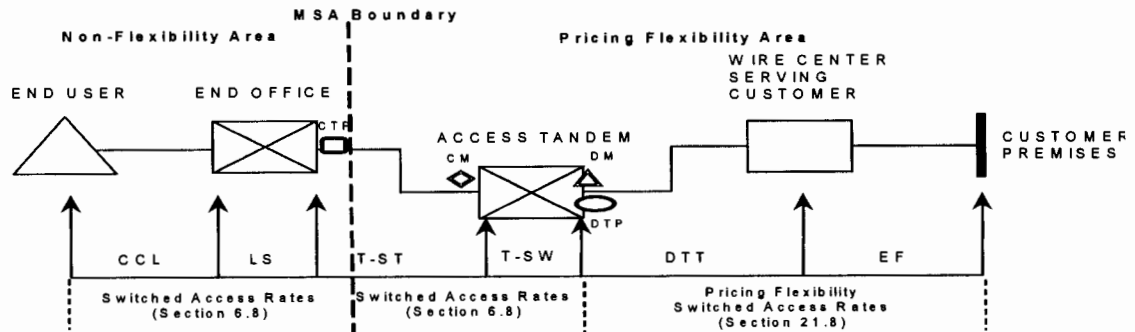
(N)

**E19. PRICE FLEXIBILITY SWITCHED ACCESS SERVICE**

**E19. PRICING FLEXIBILITY SWITCHED ACCESS SERVICE (Cont'd)**

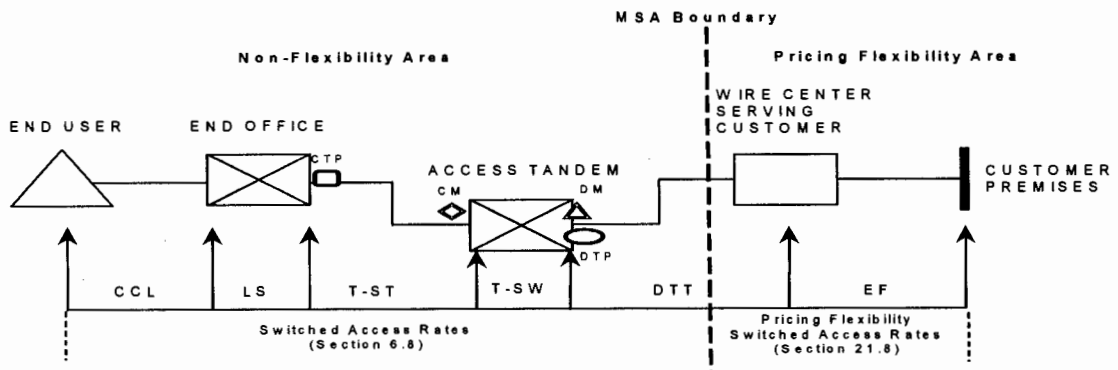
**E19.2 Application of Rates and Charges (Cont'd)**

(B) Switched Access Service between a Pricing Flexibility MSA and a Non-Flexibility Area



- CCL: CARRIER COMMON LINE
- LS: LOCAL SWITCHING
- T-ST: TANDEM-SWITCHED TRANSMISSION (FIXED & PER MILE)
- T-SW: TANDEM SWITCHING
- DTT: DIRECT-TRUNKED TRANSPORT
- EF: ENTRANCE FACILITY
- CTP: COMMON TRUNK PORT
- CM: COMMON TRANSPORT MULTIPLEXING
- DTP: DEDICATED TRUNK PORT
- DM: DEDICATED MULTIPLEXING

(C) Switched Access Service between a Pricing Flexibility MSA and a Non-Flexibility Area



- CCL: CARRIER COMMON LINE
- LS: LOCAL SWITCHING
- T-ST: TANDEM-SWITCHED TRANSMISSION (FIXED & PER MILE)
- T-SW: TANDEM SWITCHING
- DTT: DIRECT-TRUNKED TRANSPORT
- EF: ENTRANCE FACILITY
- CTP: COMMON TRUNK PORT
- CM: COMMON TRANSPORT MULTIPLEXING
- DTP: DEDICATED TRUNK PORT
- DM: DEDICATED MULTIPLEXING

ACCESS SERVICE TARIFF

Embarq Florida, Inc. *d/b/a CenturyLink*  
 By: **Christy V. Londerholm**, Director

Sixth Revised Page 4 (T)  
 Cancels Fifth Revised Page 4 (T)  
 Effective: August 20, 2017

E19. PRICE FLEXIBILITY SWITCHED ACCESS SERVICE

E19. Pricing Flexibility Switched Access Service (Cont'd)

E19.3 Metropolitan Statistical Areas (MSAs)

FLORIDA – Orlando MSA

<u>Zone 1</u>		<u>Zone 2</u>		<u>Zone 3</u>	
<u>End Office</u>	<u>CLLI</u>	<u>End Office</u>	<u>CLLI</u>	<u>End Office</u>	<u>CLLI</u>
Altamonte Springs- <b>Winter Park</b>	ALSPFLXA	Apopka	APPKFLXA	Astor	ASTRFLXA
	KSSMFLXA	Goldenrod- <b>Winter Park</b>	GLRDFLXA	Clermont	CLMTFLXA
Kissimmee		Lake Brantley- <b>Winter Park</b>	LKBRFLXA	Casselberry	CSLBFLXA
Maitland- <b>Winter Park</b>	MTLDFLXA	Leesburg	LSBGFLXA	Eustis	ESTSFLXA
Winter Park	WNPKFLXA	West Kissimmee	KSSMFLXB	Groveland	GVLDFLXA
		Winter Garden	WNGRFLXA	Howey-in-the-Hills	HOWYFLXA
				Kenansville	KNVLFLXA
				Kissimmee	KSSMFLXD
				Lady Lake	LDLKFLXA
				Mount Dora	MTDRFLXA
				Montverde	MTVRFLXA
				St. Cloud	STCDFLXA
				Tavares	TVRSFLXA
				Umatilla	UMTLFLXA
				Windermere	WNDRFLXA
				Winter Park	WNPKFLXE

(C)  
(C)  
(C)  
(C)

FLORIDA – Tallahassee MSA

<u>Zone 1</u>		<u>Zone 2</u>		<u>Zone 3</u>	
<u>End Office</u>	<u>CLLI</u>	<u>End Office</u>	<u>CLLI</u>	<u>End Office</u>	<u>CLLI</u>
None	None	Tallahassee	TLHSFLXA	Tallahassee	TLHSFLXE
		Tallahassee	TLHSFLXB	Tallahassee	TLHSFLXG
		Tallahassee	TLHSFLXC	Tallahassee	TLHSFLXH
		Tallahassee	TLHSFLXD		
		Tallahassee	TLHSFLXF		

ACCESS SERVICE TARIFF

Embarq Florida, Inc.  
**d/b/a CenturyLink**  
 By: Gary L. Kepley, Director

Fourth Revised Page 5  
 Cancels Third Revised Page 5

(T)

Effective: July 2, 2013

**E19. PRICE FLEXIBILITY SWITCHED ACCESS SERVICE**

(N)

**E19. PRICING FLEXIBILITY SWITCHED ACCESS SERVICE**

**E19.4 Rates and Charges**

**E19.4.1 Switched Transport**

**(A) Entrance Facilities**

**(1) Voice Grade**

- **Per Point of Termination**

- **Two Wire**

<u>MSA</u>	<u>Monthly Rate</u>	<u>Nonrecurring Charge</u>
Orlando/ Tallahassee	\$105.00	\$165.00

- **Four Wire**

<u>MSA</u>	<u>Monthly Rate</u>	<u>Nonrecurring Charge</u>
Orlando/ Tallahassee	\$140.00	\$165.00

**(2) DS1 – Per DS1**

<u>MSA</u>	<u>Monthly Rates</u>			<u>Nonrecurring Installation Charge</u>
	<u>Within CO</u>	<u>0 – 3 Miles</u>	<u>Over 3 Miles</u>	
<b>Orlando</b>				
Zone 1	\$128.00	\$230.00	\$295.00	\$700.00
Zone 2	136.67	265.00	330.00	700.00
Zone 3	145.67	315.00	385.00	700.00
<b>Tallahassee</b>				
Zone 1	128.00	240.00	300.00	700.00
Zone 2	136.67	275.00	335.00	700.00
Zone 3	145.67	325.00	390.00	700.00

(N)

ACCESS SERVICE TARIFF

Embargo Florida, Inc.  
 d/b/a CenturyLink  
 By: Gary L. Kepley, Director

Fourth Revised Page 6  
 Cancels Third Revised Page 6

(T)

Effective: July 2, 2013

**E19. PRICE FLEXIBILITY SWITCHED ACCESS SERVICE**

(N)

**E19. PRICING FLEXIBILITY SWITCHED ACCESS SERVICE (Cont'd)**

**E19.4 Rates and Charges (Cont'd)**

**E19.4.1 Switched Transport (Cont'd)**

**(A) Entrance Facilities (Cont'd)**

**(3) DS3- Per Point of Termination**

MSA	Monthly Rates			Nonrecurring	
	Within CO	0 - 3 Miles	Over 3 Miles	Installation Charge	Rearrangement Charge
<b>Orlando/Tallahassee</b>					
Zone 1	\$638.00	\$1,180.00	\$1,669.00	\$800.00	\$400.00
Zone 2	678.67	1,450.00	2,440.00	800.00	400.00
Zone 3	704.00	1,580.00	2,530.00	800.00	400.00

**(4) Optipoint 3 with Telephone Company Provided Terminal Equipment**

**(a) One Year Commitment Rates**

MSA	Monthly Rates			Nonrecurring Installation Charge
	Within CO	0 - 3 Miles	Over 3 Miles	
<b>Orlando/Tallahassee</b>				
Zone 1	\$1,500.00	\$2,268.00	\$3,666.00	\$4,280.00
Zone 2	1,560.00	2,334.00	3,870.00	4,280.00
Zone 3	1,866.00	2,400.00	3,930.00	4,280.00

**(b) 3 Year Commitment Rates**

MSA	Monthly Rates			Nonrecurring Installation Charge
	Within CO	0 - 3 Miles	Over 3 Miles	
<b>Orlando/Tallahassee</b>				
Zone 1	\$1,340.00	\$2,080.00	\$3,055.00	N/A
Zone 2	1,390.00	2,140.00	3,225.00	N/A
Zone 3	1,555.00	2,200.00	3,275.00	N/A

(N)

ACCESS SERVICE TARIFF

Embarq Florida, Inc.  
**d/b/a CenturyLink**  
 By: Gary L. Kepley, Director

Fourth Revised Page 7  
 Cancels Third Revised Page 7

(T)

Effective: July 2, 2013

**E19. PRICE FLEXIBILITY SWITCHED ACCESS SERVICE**

(N)

**E19. PRICING FLEXIBILITY SWITCHED ACCESS SERVICE (Cont'd)**

**E19.4 Rates and Charges (Cont'd)**

**E19.4.1 Switched Transport (Cont'd)**

**(A) Entrance Facilities (Cont'd)**

**(4) Optipoint 3 with Telephone Company Provided Terminal Equipment**

**(c) 5 Year Commitment Rates**

MSA	Monthly Rates			Nonrecurring Installation Charge
	Within CO	0 - 3 Miles	Over 3 Miles	
<b>Orlando/Tallahassee</b>				
<b>Zone 1</b>	<b>\$1,230.00</b>	<b>\$1,870.00</b>	<b>\$2,750.00</b>	<b>N/A</b>
<b>Zone 2</b>	<b>1,285.00</b>	<b>1,925.00</b>	<b>2,900.00</b>	<b>N/A</b>
<b>Zone 3</b>	<b>1,400.00</b>	<b>1,980.00</b>	<b>2,950.00</b>	<b>N/A</b>

(N)



ACCESS SERVICE TARIFF

Embarq Florida, Inc.  
**d/b/a CenturyLink**  
 By: Gary L. Kepley, Director

Fourth Revised Page 8  
 Cancels Third Revised Page 8

(T)

Effective: July 2, 2013

**E19. PRICE FLEXIBILITY SWITCHED ACCESS SERVICE**

(N)

**E19. PRICING FLEXIBILITY SWITCHED ACCESS SERVICE (Cont'd)**

**E19.4 Rates and Charges (Cont'd)**

**E19.4.1 Switched Transport (Cont'd)**

**(A) Entrance Facilities (Cont'd)**

**(5) Optipoint 3 without Telephone Company Provided Terminal Equipment**

**(a) One Year Commitment Rates**

MSA	Monthly Rates			Nonrecurring Installation Charge
	Within CO	0 – 3 Miles	Over 3 Miles	
<b>Orlando/Tallahassee</b>				
Zone 1	\$864.00	\$1,626.00	\$2,958.00	\$3,140.00
Zone 2	888.88	1,674.00	3,120.00	3,140.00
Zone 3	1,110.00	1,722.00	3,180.00	3,140.00

**(b) 3 Year Commitment Rates**

MSA	Monthly Rates			Nonrecurring Installation Charge
	Within CO	0 – 3 Miles	Over 3 Miles	
<b>Orlando/Tallahassee</b>				
Zone 1	\$775.00	\$1,355.00	\$2,465.00	N/A
Zone 2	820.00	1,395.00	2,600.00	N/A
Zone 3	925.00	1,435.00	2,730.00	N/A

**(c) 5 Year Commitment Rates**

MSA	Monthly Rates			Nonrecurring Installation Charge
	Within CO	0 – 3 Miles	Over 3 Miles	
<b>Orlando/Tallahassee</b>				
Zone 1	\$740.00	\$1,220.00	\$2,220.00	N/A
Zone 2	775.00	1,255.00	2,340.00	N/A
Zone 3	830.00	1,295.00	2,450.00	N/A

(N)

ACCESS SERVICE TARIFF

Embarq Florida, Inc.  
 d/b/a CenturyLink  
 By: Gary L. Kepley, Director

Third Revised Page 8.1  
 Cancels Second Revised Page 8.1

(T)

Effective: July 2, 2013

**E19. PRICE FLEXIBILITY SWITCHED ACCESS SERVICE**

(N)

**E19. PRICING FLEXIBILITY SWITCHED ACCESS SERVICE (Cont'd)**

**E19.4 Rates and Charges (Cont'd)**

**E19.4.1 Switched Transport (Cont'd)**

**(A) Entrance Facilities (Cont'd)**

**(6) Optipoint 12 with Telephone Company Provided Terminal Equipment**

**(a) One Year Commitment Rates**

MSA	Monthly Rates			Nonrecurring Installation Charge
	Within CO	0 - 3 Miles	Over 3 Miles	
<b>Orlando/Tallahassee</b>				
Zone 1	\$1,968.00	\$2,670.00	\$4,668.00	\$11,290.00
Zone 2	1,998.00	2,802.00	5,334.00	11,290.00
Zone 3	2,094.00	2,934.00	5,670.00	11,290.00

**(b) 3 Year Commitment Rates**

MSA	Monthly Rates			Nonrecurring Installation Charge
	Within CO	0 - 3 Miles	Over 3 Miles	
<b>Orlando/Tallahassee</b>				
Zone 1	\$1,640.00	\$2,380.00	\$3,890.00	N/A
Zone 2	1,665.00	2,500.00	4,445.00	N/A
Zone 3	1,830.00	2,615.00	4,725.00	N/A

**(c) 5 Year Commitment Rates**

MSA	Monthly Rates			Nonrecurring Installation Charge
	Within CO	0 - 3 Miles	Over 3 Miles	
<b>Orlando/Tallahassee</b>				
Zone 1	\$1,475.00	\$2,140.00	\$3,500.00	N/A
Zone 2	1,500.00	2,250.00	4,000.00	N/A
Zone 3	1,650.00	2,355.00	4,250.00	N/A

(N)

ACCESS SERVICE TARIFF

Embarq Florida, Inc.  
d/b/a CenturyLink  
By: Gary L. Kepley, Director

Third Revised Page 8.2  
Cancels Second Revised Page 8.2

(T)

Effective: July 2, 2013

**E19. PRICE FLEXIBILITY SWITCHED ACCESS SERVICE**

(N)

**E19. PRICING FLEXIBILITY SWITCHED ACCESS SERVICE (Cont'd)**

**E19.4 Rates and Charges (Cont'd)**

**E19.4.1 Switched Transport (Cont'd)**

**(A) Entrance Facilities (Cont'd)**

**(7) Optipoint 12 without Telephone Company Provided Terminal Equipment**

**(a) One Year Commitment Rates**

MSA	Monthly Rates			Nonrecurring Installation Charge
	Within CO	0 - 3 Miles	Over 3 Miles	
<b>Orlando/Tallahassee</b>				
Zone 1	\$1,134.00	\$1,848.00	\$3,648.00	\$10,570.00
Zone 2	1,152.00	1,938.00	4,170.00	10,570.00
Zone 3	1,206.00	2,028.00	4,434.00	10,570.00

**(b) 3 Year Commitment Rates**

MSA	Monthly Rates			Nonrecurring Installation Charge
	Within CO	0 - 3 Miles	Over 3 Miles	
<b>Orlando/Tallahassee</b>				
Zone 1	\$1,090.00	\$1,540.00	\$3,040.00	N/A
Zone 2	1,105.00	1,615.00	3,475.00	N/A
Zone 3	1,155.00	1,690.00	3,695.00	N/A

**(c) 5 Year Commitment Rates**

MSA	Monthly Rates			Nonrecurring Installation Charge
	Within CO	0 - 3 Miles	Over 3 Miles	
<b>Orlando/Tallahassee</b>				
Zone 1	\$980.00	\$1,385.00	\$2,735.00	N/A
Zone 2	995.00	1,450.00	3,125.00	N/A
Zone 3	1,040.00	1,525.00	3,325.00	N/A

(N)

ACCESS SERVICE TARIFF

Embarq Florida, Inc.  
**d/b/a CenturyLink**  
 By: Gary L. Kepley, Director

Third Revised Page 8.3  
 Cancels Second Revised Page 8.3

(T)

Effective: July 2, 2013

**E19. PRICE FLEXIBILITY SWITCHED ACCESS SERVICE**

(N)

**E19. PRICING FLEXIBILITY SWITCHED ACCESS SERVICE (Cont'd)**

**E19.4 Rates and Charges (Cont'd)**

**E19.4.1 Switched Transport (Cont'd)**

**(A) Entrance Facilities (Cont'd)**

**(8) Optipoint 48 with Telephone Company Provided Terminal Equipment**

**(a) 3 Year Commitment Rates**

MSA	Monthly Rates			Nonrecurring Installation Charge
	Within CO	0 - 3 Miles	Over 3 Miles	
<b>Orlando/Tallahassee</b>				
Zone 1	\$5,300.00	\$7,200.00	\$11,020.00	N/A
Zone 2	5,400.00	7,600.00	12,635.00	N/A
Zone 3	5,700.00	7,900.00	13,700.00	N/A

**(b) 5 Year Commitment Rates**

MSA	Monthly Rates			Nonrecurring Installation Charge
	Within CO	0 - 3 Miles	Over 3 Miles	
<b>Orlando/Tallahassee</b>				
Zone 1	\$4,800.00	\$6,500.00	\$9,975.00	N/A
Zone 2	4,900.00	6,800.00	11,400.00	N/A
Zone 3	5,100.00	7,100.00	12,800.00	N/A

(N)

ACCESS SERVICE TARIFF

Embarq Florida, Inc.  
 d/b/a CenturyLink  
 By: Gary L. Kepley, Director

Fourth Revised Page 9  
 Cancels Third Revised Page 9

(T)

Effective: July 2, 2013

**E19. PRICE FLEXIBILITY SWITCHED ACCESS SERVICE**

(N)

**E19. PRICING FLEXIBILITY SWITCHED ACCESS SERVICE (Cont'd)**

**E19.4 Rates and Charges (Cont'd)**

**E19.4.1 Switched Transport (Cont'd)**

**(A) Entrance Facilities (Cont'd)**

**(9) Optipoint 48 without Telephone Company Provided Terminal Equipment**

**(a) 3 Year Commitment Rates**

MSA	Monthly Rates			Nonrecurring Installation Charge
	Within CO	0 - 3 Miles	Over 3 Miles	
<b>Orlando/Tallahassee</b>				
Zone 1	\$3,100.00	\$4,600.00	\$9,345.00	N/A
Zone 2	3,150.00	4,800.00	9,660.00	N/A
Zone 3	3,300.00	5,000.00	10,080.00	N/A

**(b) 5 Year Commitment Rates**

MSA	Monthly Rates			Nonrecurring Installation Charge
	Within CO	0 - 3 Miles	Over 3 Miles	
<b>Orlando/Tallahassee</b>				
Zone 1	\$2,800.00	\$4,200.00	\$8,500.00	N/A
Zone 2	2,850.00	4,400.00	8,900.00	N/A
Zone 3	3,000.00	4,600.00	9,300.00	N/A

(N)

ACCESS SERVICE TARIFF

Embarq Florida, Inc.  
 d/b/a CenturyLink  
 By: Gary L. Kepley, Director

Fourth Revised Page 10  
 Cancels Third Revised Page 10

(T)

Effective: July 2, 2013

**E19. PRICE FLEXIBILITY SWITCHED ACCESS SERVICE**

(N)

**E19. PRICING FLEXIBILITY SWITCHED ACCESS SERVICE (Cont'd)**

**E19.4 Rates and Charges (Cont'd)**

**E19.4.1 Switched Transport (Cont'd)**

**(A) Entrance Facilities (Cont'd)**

**(10) STS1 (51.84 Mbps – Per Point of Termination)**

MSA	Monthly Rates			Nonrecurring	
	Within CO	0 – 3 Miles	Over 3 Miles	Installation Charge	Rearrangement Charge
<b>Orlando/Tallahassee</b>					
Zone 1	\$825.00	\$1,275.00	\$2,200.00	\$325.00	\$162.50
Zone 2	1,000.00	1,650.00	2,700.00	\$325.00	\$162.50
Zone 3	1,350.00	2,000.00	3,200.00	\$325.00	\$162.50

**(11) Optipoint 192 with Telephone Company Provided Terminal Equipment**

**(a) 3 Year Commitment Rates**

MSA	Monthly Rates			Nonrecurring Installation Charge
	Within CO	0 – 3 Miles	Over 3 Miles	
<b>Orlando/Tallahassee</b>				
Zone 1	\$13,008.00	\$17,620.00	\$27,040.00	N/A
Zone 2	14,050.00	19,030.00	29,205.00	N/A
Zone 3	15,175.00	20,550.00	31,535.00	N/A

**(b) 5 Year Commitment Rates**

MSA	Monthly Rates			Nonrecurring Installation Charge
	Within CO	0 – 3 Miles	Over 3 Miles	
<b>Orlando/Tallahassee</b>				
Zone 1	\$11,825.00	\$16,020.00	\$24,580.00	N/A
Zone 2	12,770.00	17,300.00	26,550.00	N/A
Zone 3	13,795.00	18,685.00	28,675.00	N/A

(N)

ACCESS SERVICE TARIFF

Embarq Florida, Inc.  
 d/b/a CenturyLink  
 By: Gary L. Kopley, Director

Sixth Revised Page 11  
 Cancels Fifth Revised Page 11

(T)

Effective: July 2, 2013

**E19. PRICE FLEXIBILITY SWITCHED ACCESS SERVICE**

(N)

**E19. PRICING FLEXIBILITY SWITCHED ACCESS SERVICE (Cont'd)**

**E19.4 Rates and Charges (Cont'd)**

**E19.4.1 Switched Transport (Cont'd)**

**(12) Optipoint 192 without Telephone Company Provided Terminal Equipment**

**(a) 3 Year Commitment Rates**

MSA	Monthly Rates			Nonrecurring Installation Charge
	Within CO	0 - 3 Miles	Over 3 Miles	
<b>Orlando/Tallahassee</b>				
Zone 1	\$7,590.00	\$11,385.00	\$23,040.00	N/A
Zone 2	8,200.00	12,300.00	24,885.00	N/A
Zone 3	8,850.00	13,283.00	26,875.00	N/A

**(b) 5 Year Commitment Rates**

MSA	Monthly Rates			Nonrecurring Installation Charge
	Within CO	0 - 3 Miles	Over 3 Miles	
<b>Orlando/Tallahassee</b>				
Zone 1	\$6,900.00	\$10,350.00	\$20,945.00	N/A
Zone 2	7,450.00	11,180.00	22,620.00	N/A
Zone 3	8,045.00	12,075.00	24,430.00	N/A

**(B) Direct-Trunked Transport**

**(1) Voice Grade - Per Channel**

MSA	Monthly Rates	
	Fixed	Per Mile
Orlando	\$79.00	\$3.75
Tallahassee	75.00	5.00

**(2) DS1 - Per DS1**

MSA	Monthly Rates	
	Fixed	Per Mile
<b>Orlando/Tallahassee</b>		
Zone 1	\$98.00	\$12.00
Zone 2	105.00	14.50
Zone 3	120.00	20.00

**(3) DS3 - Per DS3**

MSA	Monthly Rates	
	Fixed	Per Mile
<b>Orlando/Tallahassee</b>		
Zone 1	\$660.00	\$89.00
Zone 2	795.00	110.00
Zone 3	995.00	150.00

(N)

ACCESS SERVICE TARIFF

Embarq Florida, Inc.  
 d/b/a CenturyLink  
 By: Gary L. Kepley, Director

Fourth Revised Page 11.1  
 Cancels Third Revised Page 11.1

(T)

Effective: July 2, 2013

**E19. PRICE FLEXIBILITY SWITCHED ACCESS SERVICE**

(N)

**E19. PRICING FLEXIBILITY SWITCHED ACCESS SERVICE (Cont'd)**

**E19.4 Rates and Charges (Cont'd)**

**E19.4.1 Switched Transport (Cont'd)**

**(B) Direct Trunked Transport (Cont'd)**

**(4) OptiPoint 3**

**(a) One Year Commitment Rates**

<u>MSA</u>	<u>Monthly Rates</u>	
	<u>Fixed</u>	<u>Per Mile</u>
<u>Orlando/Tallahassee</u>		
Zone 1	\$2,056.00	\$144.00
Zone 2	2,136.00	150.00
Zone 3	2,233.00	156.00

**(b) 3 Year Commitment Rates**

<u>MSA</u>	<u>Monthly Rates</u>	
	<u>Fixed</u>	<u>Per Mile</u>
<u>Orlando/Tallahassee</u>		
Zone 1	\$1,715.00	\$120.00
Zone 2	1,780.00	125.00
Zone 3	1,860.00	130.00

**(c) 5 Year Commitment Rates**

<u>MSA</u>	<u>Monthly Rates</u>	
	<u>Fixed</u>	<u>Per Mile</u>
<u>Orlando/Tallahassee</u>		
Zone 1	\$1,540.00	\$110.00
Zone 2	1,605.00	115.00
Zone 3	1,675.00	120.00

(N)



ACCESS SERVICE TARIFF

Embarq Florida, Inc.  
 d/b/a CenturyLink  
 By: Gary L. Kepley, Director

Third Revised Page 11.2  
 Cancels Second Revised Page 11.2

(T)

Effective: July 2, 2013

**E19. PRICE FLEXIBILITY SWITCHED ACCESS SERVICE**

(N)

**E19. PRICING FLEXIBILITY SWITCHED ACCESS SERVICE (Cont'd)**

**E19.4 Rates and Charges (Cont'd)**

**E19.4.1 Switched Transport (Cont'd)**

**(B) Direct-Trunked Transport (Cont'd)**

**(5) OptiPoint 12**

**(a) One Year Commitment Rates**

<u>MSA</u>	<u>Monthly Rates</u>	
	<u>Fixed</u>	<u>Per Mile</u>
<u>Orlando/Tallahassee</u>		
Zone 1	\$6,072.00	\$336.00
Zone 2	6,248.00	348.00
Zone 3	6,425.00	360.00

**(b) 3 Year Commitment Rates**

<u>MSA</u>	<u>Monthly Rates</u>	
	<u>Fixed</u>	<u>Per Mile</u>
<u>Orlando/Tallahassee</u>		
Zone 1	\$5,060.00	\$280.00
Zone 2	5,210.00	290.00
Zone 3	5,355.00	300.00

**(c) 5 Year Commitment Rates**

<u>MSA</u>	<u>Monthly Rates</u>	
	<u>Fixed</u>	<u>Per Mile</u>
<u>Orlando/Tallahassee</u>		
Zone 1	\$4,610.00	\$255.00
Zone 2	4,700.00	265.00
Zone 3	4,820.00	275.00

(N)

ACCESS SERVICE TARIFF

Embarq Florida, Inc.  
 d/b/a CenturyLink  
 By: Gary L. Kepley, Director

Fourth Revised Page 12  
 Cancels Third Revised Page 12

(T)

Effective: July 2, 2013

**E19. PRICE FLEXIBILITY SWITCHED ACCESS SERVICE**

(N)

**E19. PRICING FLEXIBILITY SWITCHED ACCESS SERVICE (Cont'd)**

**E19.4 Rates and Charges (Cont'd)**

**E19.4.1 Switched Transport (Cont'd)**

**(B) Direct-Trunked Transport (Cont'd)**

**(6) OptiPoint 48**

**(a) 3 Year Commitment Rates**

MSA	Monthly Rates	
	Fixed	Per Mile
Orlando/Tallahassee		
Zone 1	\$12,200.00	\$580.00
Zone 2	12,600.00	600.00
Zone 3	13,000.00	650.00

**(b) 5 Year Commitment Rates**

MSA	Monthly Rates	
	Fixed	Per Mile
Orlando/Tallahassee		
Zone 1	\$11,000.00	\$525.00
Zone 2	11,400.00	550.00
Zone 3	11,800.00	575.00

**(7) OptiPoint 192**

**(a) 3 Year Commitment Rates**

MSA	Monthly Rates	
	Fixed	Per Mile
Orlando/Tallahassee		
Zone 1	\$22,265.00	\$1,155.00
Zone 2	24,050.00	1,250.00
Zone 3	25,971.00	1,350.00

**(b) 5 Year Commitment Rates**

MSA	Monthly Rates	
	Fixed	Per Mile
Orlando/Tallahassee		
Zone 1	\$20,240.00	\$1,050.00
Zone 2	21,860.00	1,135.00
Zone 3	23,610.00	1,225.00

(N)

ACCESS SERVICE TARIFF

Embarq Florida, Inc.  
 d/b/a CenturyLink  
 By: Gary L. Kepley, Director

Fifth Revised Page 13  
 Cancels Fourth Revised Page 13

Effective: July 1, 2016

E19. PRICE FLEXIBILITY SWITCHED ACCESS SERVICE

E19. PRICING FLEXIBILITY SWITCHED ACCESS SERVICE (Cont'd)

E19.4 Rates and Charges (Cont'd)

E19.4.1 Switched Transport (Cont'd)

(B) Direct-Trunked Transport (Cont'd)

(8) STS1 (51.84 Mbps) – Per STS1

MSA	Monthly Rates	
	Fixed	Per Mile
Orlando/Tallahassee		
Zone 1	\$759.00	\$170.00
Zone 2	790.00	180.00
Zone 3	1,000.00	192.00

(C) Tandem Switched Transport

(1) Dedicated Trunk Port

**(a) Per DS0, *per channel***

(T)

MSA	Monthly Rate
Orlando/Tallahassee	\$ 7.50

(b) Per DS1

MSA	Monthly Rate
Orlando/Tallahassee	\$160.00

(2) Dedicated Multiplexing  
 DS3 to DS1

MSA	Monthly Rates	Nonrecurring
		Charges
Orlando/Tallahassee		
Zone 1	\$400.00	\$100.00
Zone 2	\$460.00	\$100.00
Zone 3	\$575.00	\$100.00

ACCESS SERVICE TARIFF

Embarq Florida, Inc.  
**d/b/a CenturyLink**  
 By: Gary L. Kepley, Director

Fourth Revised Page 14  
 Cancels Third Revised Page 14

Effective: July 2, 2013

**E19. PRICE FLEXIBILITY SWITCHED ACCESS SERVICE**

**E19. PRICING FLEXIBILITY SWITCHED ACCESS SERVICE (Cont'd)**

**E19.4 Rates and Charges (Cont'd)**

**E19.4.1 Switched Transport (Cont'd)**

**(D) Optional Features**

**(1) Multiplexing**

**(a) DS1 to Voice Grade**

<u>MSA</u>	<u>Monthly Rates</u>	<u>Nonrecurring Charges</u>
<b>Orlando/Tallahassee</b>		
<b>Zone 1</b>	<b>\$320.00</b>	<b>\$150.00</b>
<b>Zone 2</b>	<b>385.00</b>	<b>150.00</b>
<b>Zone 3</b>	<b>400.00</b>	<b>150.00</b>

**(b) DS3 to DS1**

<u>MSA</u>	<u>Monthly Rates</u>	<u>Nonrecurring Charges</u>
<b>Orlando/Tallahassee</b>		
<b>Zone 1</b>	<b>\$400.00</b>	<b>\$100.00</b>
<b>Zone 2</b>	<b>460.00</b>	<b>100.00</b>
<b>Zone 3</b>	<b>575.00</b>	<b>100.00</b>

**(c) STS1 to DS1**

<u>MSA</u>	<u>Monthly Rates</u>	<u>Nonrecurring Charges</u>
<b>Orlando/Tallahassee</b>		
<b>Zone 1</b>	<b>\$375.00</b>	<b>\$250.00</b>
<b>Zone 2</b>	<b>420.00</b>	<b>250.00</b>
<b>Zone 3</b>	<b>575.00</b>	<b>250.00</b>

(T)

(N)

(N)

ACCESS SERVICE TARIFF

Embarq Florida, Inc.  
**d/b/a CenturyLink**  
 By: Gary L. Kepley, Director

Fourth Revised Page 15  
 Cancels Third Revised Page 15

(T)

Effective: July 2, 2013

**E19. PRICE FLEXIBILITY SWITCHED ACCESS SERVICE**

(N)

**E19. PRICING FLEXIBILITY SWITCHED ACCESS SERVICE (Cont'd)**

**E19.4 Rates and Charges (Cont'd)**

**E19.4.1 Switched Transport (Cont'd)**

**(D) Optional Features (Cont'd)**

**(2) OptiPoint Configuration Node**

**(a) OC3 – Per Arrangement**

MSA	1 Year	3 Year	5 Year	Month-to Month
<b>Orlando/Tallahassee</b>				
Zone 1	\$166.00	\$155.00	\$140.00	\$190.00
Zone 2	180.00	165.00	155.00	200.00
Zone 3	210.00	195.00	165.00	240.00

**(b) OC12 – Per Arrangement**

MSA	1 Year	3 Year	5 Year	Month-to Month
<b>Orlando/Tallahassee</b>				
Zone 1	\$840.00	\$700.00	\$600.00	\$930.00
Zone 2	900.00	750.00	650.00	990.00
Zone 3	960.00	800.00	700.00	1,060.00

**(c) OC48 – Per Arrangement**

MSA	1 Year	3 Year	5 Year	Month-to Month
<b>Orlando/Tallahassee</b>				
Zone 1	N/A	\$775.00	\$660.00	N/A
Zone 2	N/A	840.00	720.00	N/A
Zone 3	N/A	920.00	800.00	N/A

**(d) OC192– Per Arrangement**

MSA	1 Year	3 Year	5 Year	Month-to Month
<b>Orlando/Tallahassee</b>				
Zone 1	N/A	\$2,335.00	\$2,120.00	N/A
Zone 2	N/A	2,520.00	2,290.00	N/A
Zone 3	N/A	2,725.00	2,475.00	N/A

(N)

ACCESS SERVICE TARIFF

Embarq Florida, Inc.  
**d/b/a CenturyLink**  
 By: Gary L. Kepley, Director

Fourth Revised Page 16  
 Cancels Third Revised Page 16

(T)

Effective: July 2, 2013

**E19. PRICE FLEXIBILITY SWITCHED ACCESS SERVICE**

(N)

**E19. PRICING FLEXIBILITY SWITCHED ACCESS SERVICE (Cont'd)**

**E19.4 Rates and Charges (Cont'd)**

**E19.4.1 Switched Transport (Cont'd)**

**(D) Optional Features (Cont'd)**

**(3) OptiPoint Configuration Card**

**(a) OC3 – Per Arrangement**

**1. 1 Year Commitment Rates**

<b>MSA</b>	<b>Zone 1</b>	<b>Zone 2</b>	<b>Zone 3</b>
<b>Orlando/Tallahassee</b>			
DS1	\$24.00	\$30.00	\$36.00
DS3	66.00	72.00	78.00
OC3 Concatenated	384.00	414.00	450.00
STS1	72.00	78.00	84.00

**2. 3 Year Commitment Rates**

<b>MSA</b>	<b>Zone 1</b>	<b>Zone 2</b>	<b>Zone 3</b>
<b>Orlando/Tallahassee</b>			
DS1	\$20.00	\$25.00	\$30.00
DS3	55.00	60.00	65.00
OC3 Concatenated	320.00	345.00	375.00
STS1	60.00	65.00	70.00

**3. 5 Year Commitment Rates**

<b>MSA</b>	<b>Zone 1</b>	<b>Zone 2</b>	<b>Zone 3</b>
<b>Orlando/Tallahassee</b>			
DS1	\$15.00	\$20.00	\$25.00
DS3	50.00	55.00	60.00
OC3 Concatenated	275.00	305.00	330.00
STS1	55.00	60.00	65.00

(N)

ACCESS SERVICE TARIFF

Embarq Florida, Inc.  
**d/b/a CenturyLink**  
 By: Gary L. Kepley, Director

Fourth Revised Page 17  
 Cancels Third Revised Page 17

(T)

Effective: July 2, 2013

**E19. PRICE FLEXIBILITY SWITCHED ACCESS SERVICE**

(N)

**E19. PRICING FLEXIBILITY SWITCHED ACCESS SERVICE (Cont'd)**

**E19.4 Rates and Charges (Cont'd)**

**E19.4.1 Switched Transport (Cont'd)**

**(D) Optional Features (Cont'd)**

**(3) OptiPoint Configuration Card (Cont'd)**

**(b) OC12 – Per Arrangement**

**1. 1 Year Commitment Rates**

MSA	Zone 1	Zone 2	Zone 3
<b>Orlando/Tallahassee</b>			
DS1	\$24.00	\$30.00	\$36.00
DS3	66.00	72.00	78.00
OC3	174.00	186.00	198.00
OC3 Concatenated	198.00	246.00	294.00
OC12 Concatenated	3,480.00	3,600.00	3,720.00
STS1	72.00	78.00	84.00

**2. 3 Year Commitment Rates**

MSA	Zone 1	Zone 2	Zone 3
<b>Orlando/Tallahassee</b>			
DS1	\$20.00	\$25.00	\$30.00
DS3	55.00	60.00	65.00
OC3	145.00	155.00	165.00
OC3 Concatenated	165.00	205.00	245.00
OC12 Concatenated	2,900.00	3,000.00	3,100.00
STS1	60.00	65.00	70.00

**3. 5 Year Commitment Rates**

MSA	Zone 1	Zone 2	Zone 3
<b>Orlando/Tallahassee</b>			
DS1	\$15.00	\$20.00	\$25.00
DS3	50.00	55.00	60.00
OC3	130.00	140.00	150.00
OC3 Concatenated	145.00	165.00	205.00
OC12 Concatenated	2,800.00	2,900.00	3,000.00
STS1	55.00	60.00	65.00

(N)

ACCESS SERVICE TARIFF

Embarq Florida, Inc.  
**d/b/a CenturyLink**  
 By: Gary L. Kepley, Director

Third Revised Page 17.1  
 Cancels Second Revised Page 17.1

(T)

Effective: July 2, 2013

**E19. PRICE FLEXIBILITY SWITCHED ACCESS SERVICE**

(N)

**E19. PRICING FLEXIBILITY SWITCHED ACCESS SERVICE (Cont'd)**

**E19.4 Rates and Charges (Cont'd)**

**E19.4.1 Switched Transport (Cont'd)**

**(D) Optional Features (Cont'd)**

**(3) OptiPoint Configuration Card (Cont'd)**

**(c) OC48 – Per Arrangement**

**1. 3 Year Commitment Rates**

MSA	Zone 1	Zone 2	Zone 3
<b>Orlando/Tallahassee</b>			
DS3	\$90.00	\$100.00	\$110.00
OC3	250.00	300.00	400.00
OC12	400.00	500.00	600.00
OC3 Concatenated	275.00	330.00	440.00
OC12 Concatenated	440.00	550.00	660.00
STS1	100.00	110.00	120.00

**2. 5 Year Commitment Rates**

MSA	Zone 1	Zone 2	Zone 3
<b>Orlando/Tallahassee</b>			
DS3	\$85.00	\$95.00	\$105.00
OC3	200.00	275.00	300.00
OC12	375.00	425.00	475.00
OC3 Concatenated	220.00	305.00	330.00
OC12 Concatenated	415.00	470.00	525.00
STS1	85.00	95.00	105.00

**(d) OC192 – Per Arrangement**

**1. 3 Year Commitment Rates**

MSA	Zone 1	Zone 2	Zone 3
<b>Orlando/Tallahassee</b>			
DS3	\$130.00	\$140.00	\$155.00
OC3	285.00	320.00	395.00
OC12	540.00	585.00	630.00
OC48	1,620.00	1,750.00	1,890.00
OC3 Concatenated	320.00	350.00	400.00
OC12 Concatenated	595.00	645.00	693.00
OC48 Concatenated	1,785.00	1,925.00	2,080.00
STS1	135.00	145.00	160.00

(N)



ACCESS SERVICE TARIFF

Embarq Florida, Inc.  
**d/b/a CenturyLink**  
 By: Gary L. Kepley, Director

Fourth Revised Page 17.2  
 Cancels Third Revised Page 17.2

(T)

Effective: July 2, 2013

**E19. PRICE FLEXIBILITY SWITCHED ACCESS SERVICE**

(N)

**E19. PRICING FLEXIBILITY SWITCHED ACCESS SERVICE (Cont'd)**

**E19.4 Rates and Charges (Cont'd)**

**E19.4.1 Switched Transport (Cont'd)**

**(D) Optional Features (Cont'd)**

**(d) OC192 – Per Arrangement (Cont'd)**

**2. 5 Year Commitment Rates**

MSA	Zone 1	Zone 2	Zone 3
<b>Orlando/Tallahassee</b>			
DS3	\$120.00	\$130.00	\$155.00
OC3	260.00	290.00	395.00
OC12	490.00	530.00	630.00
OC48	1,470.00	1,590.00	1,890.00
OC3 Concatenated	290.00	320.00	400.00
OC12 Concatenated	540.00	585.00	693.00
OC48 Concatenated	1,620.00	1,750.00	2,080.00
STS1	125.00	135.00	160.00

**(3) Optipoint-3, -12 and -48 Service Upgrades**

**- Per DS1 or DS3 Upgraded**

MSA	Nonrecurring Charge
<b>Orlando/Tallahassee</b>	<b>\$1,000.00</b>

**(4) OptiPoint Reconfiguration Charge**

**- Per DS3 Equivalent**

MSA	Nonrecurring Charge
<b>Orlando/Tallahassee</b>	<b>\$625.00</b>

**(5) OptiPoint Regeneration Charge**

MSA	1 Year	3 Year	5 Year
<b>Orlando/Tallahassee</b>			
OC3	\$1,560.00	\$1,300.00	\$1,100.00
OC12	2,880.00	2,400.00	2,100.00
OC48	N/A	4,400.00	4,100.00
OC192	N/A	6,400.00	6,100.00

(N)

ACCESS SERVICE TARIFF

Embarq Florida, Inc.  
 d/b/a CenturyLink  
 By: Gary L. Kepley, Director

Eighth Revised Page 18  
 Cancels Seventh Revised Page 18

Effective: July 1, 2016

E19. PRICE FLEXIBILITY SWITCHED ACCESS SERVICE

E19. PRICING FLEXIBILITY SWITCHED ACCESS SERVICE (Cont'd)

E19.4 Rates and Charges (Cont'd)

E19.4.1 Switched Transport (Cont'd)

(E) Installation [1] (T)

- Per Line or Trunk

MSA	<b>Nonrecurring Charge</b>	(Z)
Orlando/Tallahassee	<b>\$15.50 (R)</b>	(Z)
		(C)

E19.4.2 Local Switching

(A) End Office Trunk Ports

MSA	<b>Monthly Rates</b> [2] (T)
Orlando/Tallahassee	
DS0, <i>per channel</i>	<b>\$ 3.75 (R)</b> (C)
DS1	<b>80.00 (R)</b> (C)

[1] *This flat rated charge was calculated based upon a 50/50 split between originating and terminating. The FCC in their FCC 11-161 ICC Transformation order in section 51.907(d)(1) allowed Price Cap Carriers to use an equal split to divide the charge between originating and terminating elements. When the terminating portion of the rate is reduced and then combined with the originating portion of the rate, a single flat rate is generated for billing purposes.* (N)

[2] The End Office Dedicated Trunk Port rate was calculated **based upon** a 50/50 split **between** originating and terminating traffic using this flat-rated port. The FCC in their FCC 11-161 ICC Transformation order in section 51.907(d)(1) allowed Price Cap Carriers to use an equal split to divide the charge between originating and terminating elements. The terminating portion of the rate was reduced and then combined with the originating portion of the rate for a single flat rate. The Originating portion of the DS0 charge is \$3.75; and the originating portion of the DS1 charge is \$80.00. (T)

ACCESS SERVICE TARIFF

Embarq Florida, Inc.  
d/b/a CenturyLink  
By: Gary L. Kepley, Director

Sixth Revised Page 18.1  
Cancels Fifth Revised Page 18.1

Effective: July 1, 2016

E19. PRICE FLEXIBILITY SWITCHED ACCESS SERVICE

This page hereby cancels the following pages:

Fourth Revised Page 18.1.1	Third Revised Page 26	Third Revised Page 40.16	(Z)
Third Revised Page 18.1.2	Third Revised Page 27	Third Revised Page 40.17	
Fourth Revised Page 18.2	Second Revised Page 27.1	Third Revised Page 40.18	
Second Revised Page 18.3	Second Revised Page 27.2	Third Revised Page 40.19	
Fourth Revised Page 19	Second Revised Page 27.3	Third Revised Page 40.20	
Fourth Revised Page 20	Second Revised Page 27.4	Third Revised Page 40.21	
Third Revised Page 20.1	Fifth Revised Page 28	Third Revised Page 40.22	
Third Revised Page 20.2	Fifth Revised Page 29	Third Revised Page 40.23	
Second Revised Page 20.3	Fifth Revised Page 30	Third Revised Page 40.24	
Second Revised Page 20.4	Third Revised Page 31	Fourth Revised Page 40.25	
Third Revised Page 20.5	Third Revised Page 32	Fourth Revised Page 41	
Second Revised Page 20.6	Third Revised Page 33	Sixth Revised Page 42	
Second Revised Page 20.7	Third Revised Page 34	Third Revised Page 43	
Third Revised Page 21	Third Revised Page 35	Third Revised Page 44	
Third Revised Page 21.1	Third Revised Page 36	Third Revised Page 45	
Second Revised Page 21.2	Third Revised Page 37		
Second Revised Page 21.3	Third Revised Page 38		
Second Revised Page 21.4	Third Revised Page 39		
Second Revised Page 21.5	Second Revised Page 39.1		
Second Revised Page 21.6	Second Revised Page 39.2		
Second Revised Page 21.7	Second Revised Page 39.3		
Third Revised Page 21.8	Second Revised Page 39.4		
Second Revised Page 21.9	Second Revised Page 39.5		
Second Revised Page 21.10	Second Revised Page 39.6		
Second Revised Page 21.11	Second Revised Page 39.7		
Third Revised Page 22	Fifth Revised Page 40		
Second Revised Page 22.1	Fourth Revised Page 40.1		
Third Revised Page 23	Third Revised Page 40.2		
Second Revised Page 23.1	Third Revised Page 40.3		
Second Revised Page 23.2	Third Revised Page 40.4		
Second Revised Page 23.3	Third Revised Page 40.5		
Second Revised Page 23.4	Third Revised Page 40.6		
Third Revised Page 24	Third Revised Page 40.7		
Third Revised Page 25	Third Revised Page 40.8		
Second Revised Page 25.1	Third Revised Page 40.9		
Second Revised Page 25.2	Third Revised Page 40.10		
Second Revised Page 25.3	Third Revised Page 40.11		
Second Revised Page 25.4	Third Revised Page 40.12		
Second Revised Page 25.5	Third Revised Page 40.13		
Second Revised Page 25.6	Third Revised Page 40.14		
Second Revised Page 25.7	Third Revised Page 40.15		
Second Revised Page 25.8			

ACCESS SERVICE TARIFF

Embarq Florida, Inc.  
d/b/a CenturyLink  
By: Gary L. Kepley, Director

Sixth Revised Page 1  
Cancels Fifth Revised Page 1

Effective: July 1, 2016

E107. OBSOLETE SERVICE OFFERINGS **[1]** (T)  
DEDICATED ACCESS SERVICE

CONTENTS

	<u>PAGE</u>	
E107.1 Digital Data Service	1	
E107.2 High Capacity Service	3	
E107.3 Voice Grade Service	8	
E107.4 <b>Reserved For Future Use</b>	10	(C)

**[1]** Obsolete service offerings are limited to existing customers. Customers may not make any changes, such as rearrangements or additions, to these existing services. (T)

ACCESS SERVICE TARIFF

Embarq Florida, Inc.  
By: F. B. Poag, Director

Second Revised Page 2  
Cancels Second Revised Page 2

Effective: December 20, 2001

E107. OBSOLETE SERVICE OFFERINGS  
DEDICATED ACCESS SERVICE

E107.1 Digital Data Service (Cont'd)

B. Interoffice Channel - United Telephone

1. 2.4, 4.8, or 9.6 Kbps (Contract Rates)  
Mileage Bands

	Fixed		Per Mile	
	24 to 42 Mos	43 to 60 Mos	24 to 42 Mos	43 to 60 Mos
(a) 0 mile	\$ 0.00	\$ 0.00	\$ 0.00	\$ 0.00
(b) 1 thru 8 miles	18.00	17.00	1.50	1.00
(c) 9 thru 25 miles	18.00	17.00	1.50	1.00
(d) Over 25 miles	18.00	17.00	1.50	1.00

2. 56.0 Kbps (Contract Rates)  
Mileage Bands

(a) 0 mile	\$ 0.00	\$ 0.00	\$ 0.00	\$ 0.00
(b) 1 thru 8 miles	18.00	17.00	1.50	1.00
(c) 9 thru 25 miles	18.00	17.00	1.50	1.00
(d) Over 25 miles	18.00	17.00	1.50	1.00

C. Optional Features and Functions - United Telephone

Contract Rates for Bridging

	24 to 42 Mos	43 to 60 Mos
Per port (2.4, 4.8, 9.6, 56.0 Kbps)	\$13.00	\$12.60

Tariff Page revised 6/5/2006 to reflect company name change from Sprint to Embarq.

ACCESS SERVICE TARIFF

Embarq Florida, Inc.  
 By: F. B. Poag, Director

Second Revised Page 3  
 Cancels First Revised Page 3

Effective: August 8, 2000

E107. OBSOLETE SERVICE OFFERINGS  
 DEDICATED ACCESS SERVICE

E107.2 High Capacity Service

A. Local Channel - United Telephone

Contract Rates per Point of Termination

	<u>24 to</u> <u>48 Mos</u>	<u>49 to</u> <u>72 Mos</u>	<u>73 to</u> <u>96 Mos</u>
1.544 Mbps	\$138.05	\$136.05	\$134.05

B. Interoffice Channel - United Telephone

1.544 Mbps (Contract Rates)

	<u>Fixed</u> <u>Monthly</u> <u>Charge</u>	<u>Charge Per Mile</u>		
		<u>24 to</u> <u>48 Mos</u>	<u>49 to</u> <u>72 Mos</u>	<u>73 to</u> <u>96 Mos</u>
(a) 0 mile	\$ -	\$ -	\$ -	\$ -
(b) 1 thru 8 miles	59.75	24.25	22.35	20.50
(c) 9 thru 25 miles	59.75	22.35	20.50	18.65
(d) Over 25 miles	59.75	20.50	18.65	16.75

Tariff Page revised 6/5/2006 to reflect company name change from Sprint to Embarq.

ACCESS SERVICE TARIFF

Embarq Florida, Inc.  
 By: F. B. Poag, Director

First Revised Page 4  
 Cancels Original Page 4

Effective: June 11, 1999

E107. OBSOLETE SERVICE OFFERINGS  
 DEDICATED ACCESS SERVICE

E107.2 High Capacity Service (Cont'd)

C. Local Channel

2. Contract Rates Per Point of Termination

	<u>24 to 48</u> <u>Months</u>	<u>49 to 72</u> <u>Months</u>	<u>73 to 96</u> <u>Months</u>	<u>Nonrecurring Charge</u>	
				<u>Second</u>	<u>Additional</u>
1.544 Mbps:					
Zone 1	\$ 99.50	\$ 98.05	\$ 96.60	\$745.00	\$335.00
Zone 2	110.50	108.90	107.30	745.00	335.00
Zone 3	116.05	114.40	112.70	745.00	335.00

Tariff Page revised 6/5/2006 to reflect company name change from Sprint to Embarq.

ACCESS SERVICE TARIFF

Embarq Florida, Inc.  
By: F. B. Poag, Director

First Revised Page 5  
Cancels Original Page 5

Effective: June 11, 1999

E107. OBSOLETE SERVICE OFFERINGS  
DEDICATED ACCESS SERVICE

E107.2 High Capacity Service (Cont'd)  
d)

D. Interoffice Channel

Mileage Bands:

	<u>Fixed Monthly Charge</u>	<u>Monthly Nonrecurring Charge Per Mile</u>	<u>Per Channel</u>
2. 1.544 Mbps			
(a) 1 thru 8 miles			
Zone 1	\$46.35	\$21.50	\$200.00
Zone 2	51.50	23.85	200.00
Zone 3	54.10	25.05	200.00
(b) 9 thru 25 miles			
Zone 1	\$46.35	\$20.20	\$200.00
Zone 2	51.50	22.40	200.00
Zone 3	54.10	23.55	200.00
(c) Over 25 miles			
Zone 1	\$46.35	\$18.85	\$200.00
Zone 2	51.50	20.90	200.00
Zone 3	54.10	21.95	200.00

Tariff Page revised 6/5/2006 to reflect company name change from Sprint to Embarq.



ACCESS SERVICE TARIFF

Embarq Florida, Inc.  
By: F. B. Poag, Director

First Revised Page 6  
Cancels Original Page 6

Effective: June 11, 1999

E107. OBSOLETE SERVICE OFFERINGS  
DEDICATED ACCESS SERVICE

E107.2 High Capacity Service (Cont'd)

E. 1.544 Mbps - Contract Rates

	Monthly Rate Per Mile				Nonrecurring Charge
	Fixed Month Rate	24 to 48 Month	49 to 72 Month	73 to 96 Month	
(a) 1 thru 8 miles					
Zone 1	\$43.10	\$17.55	\$16.15	\$14.85	\$200
Zone 2	47.85	19.45	17.90	16.45	200
Zone 3	50.25	20.45	18.85	17.30	200
(b) 9 thru 25 miles					
Zone 1	\$43.10	\$16.20	\$14.85	\$13.50	\$200
Zone 2	47.85	17.95	16.45	14.95	200
Zone 3	50.25	18.90	17.30	15.75	200
(c) Over 25 miles					
Zone 1	\$43.10	\$14.85	\$13.50	\$12.15	\$200
Zone 2	47.85	16.45	14.95	13.45	200
Zone 3	50.25	17.30	15.75	14.15	200

Tariff Page revised 6/5/2006 to reflect company name change from Sprint to Embarq.

ACCESS SERVICE TARIFF

Embarq Florida, Inc.  
 By: F. B. Poag, Director

Second Revised Page 7  
 Cancels First Revised Page 7

Effective: August 8, 2000

E107. OBSOLETE SERVICE OFFERINGS  
 DEDICATED ACCESS SERVICES

E107.2 High Capacity Service (Cont'd)

F. Optional Features and Functions

1. Multiplexing

Per Arrangement:

	Monthly	Nonrecurring Charge	
	<u>Rate</u>	<u>Initial</u>	<u>Subsequent</u>
(b) DS3 to DS1, each <sup>1</sup>	-	-	-
(e) DS1 to Voice, each		\$185.00	\$500.00
(f) DS1 to DS0, each	\$119.85	66.00	180.00

Note<sup>1</sup>: ICB rates and charges apply.

Tariff Page revised 6/5/2006 to reflect company name change from Sprint to Embarq.

ACCESS SERVICE TARIFF

Embarq Florida, Inc.  
By: F. B. Poag, Director

Second Revised Page 8  
Cancels First Revised Page 8

Effective: August 29, 2000

E107. OBSOLETE SERVICE OFFERINGS  
DEDICATED ACCESS SERVICE

E107.3 Voice Grade Service

A. Optional Features and Functions  
Monthly Nonrecurring

	<u>Rate</u>	<u>Charge</u>
1. Bridging - Per Port <sup>1</sup>		
(a) Dataphone Select-A-Station Bridging- Primary Data Station Selector - <u>United Telephone</u>		
- Sequential Arrangement Common Equipment	\$114.50	\$240.00
- Channel Connections Two-Wire connection	\$ 2.20	37.00
(b) Dataphone Select-A-Station Bridging- Secondary Data Station Selector - <u>United Telephone</u>		
- Sequential Arrangement Common Equipment	\$114.50	\$240.00

Note <sup>1</sup>: Obsolete rates moved from Page 55 in Section E7.5.1. These obsoleted services are limited to existing customers as of June 6, 2000. Customers may not make any changes, such as rearrangements or additions, to these existing services.

Tariff Page revised 6/5/2006 to reflect company name change from Sprint to Embarq.

ACCESS SERVICE TARIFF

Embarq Florida, Inc.  
By: F. B. Poag, Director

Second Revised Page 9  
Cancels First Revised Page 9

Effective: August 29, 2000

E107. OBSOLETE SERVICE OFFERINGS  
DEDICATED ACCESS SERVICE

E107.3. Voice Grade Service

A. Optional Features and Functions (Cont'd)

Monthly	Nonrecurring	<u>Rate</u>	<u>Charge</u>
1. Bridging - Per Port (Cont'd) <sup>1</sup>			
(c) Telemetry and Alarm Bridging - Split Band, Active Bridging - <u>United Telephone</u>			
(1) Common Equipment, Per Central Office			
	- Second bridging shelf, capacity of 48 two-wire con.	\$69.65	\$380.00
(2) Channel connections, per channel connected - <u>United Telephone</u>			
	- Remote station channel connection	\$1.40	\$37.00
	- Mid-link channel connection, first channel	\$5.60	\$49.00
	- Mid-link channel connection, subsequent channels	\$4.85	\$49.00
		<u>Monthly Nonrecurring Charge</u>	
		<u>Rate</u>	<u>Initial</u> <u>Subsequent</u>
2. Signaling Capability - per Point of Termination <sup>1</sup>			
(a)	Loop	\$2.95	\$16.00    \$290.00
(b)	Single Frequency	5.75	23.00    295.00
(c)	E&M	9.50	25.00    300.00
(d)	Ground	2.40	11.00    285.00
(e)	Type C	2.40	16.00    290.00
(f)	Other	5.75	19.00    295.00

Note<sup>1</sup>: Obsolete rates moved from Page 56 in Section E7.5.1, Page 57 in Section E7.5.1 and Page 59 in Section E7.5.1. These obsoleted services are limited to existing customers as of June 6, 2000. Customers may not make any changes, such as rearrangements or additions, to these existing services.

Tariff Page revised 6/5/2006 to reflect company name change from Sprint to Embarq.

ACCESS SERVICE TARIFF

Embarq Florida, Inc.  
d/b/a CenturyLink  
By: Gary L. Kepley, Director

Second Revised Page 10  
Cancels First Revised Page 10

Effective: July 1, 2016

E107. OBSOLETE SERVICE OFFERINGS  
DEDICATED ACCESS SERVICE

E107.4 ***Reserved For Future Use***

(C)

(D)

(D)