

AUSLEY & McMULLEN

ATTORNEYS AND COUNSELORS AT LAW

123 SOUTH CALHOUN STREET
P.O. BOX 391 (ZIP 32302)
TALLAHASSEE, FLORIDA 32301
(850) 224-9115 FAX (850) 222-7560

May 3, 2013

HAND DELIVERED

RECEIVED-FPSC
13 MAY -3 AM 11:37
COMMISSION
CLERK

Ms. Ann Cole, Director
Division of Commission Clerk
Florida Public Service Commission
2540 Shumard Oak Boulevard
Tallahassee, FL 32399-0850

Re: Tampa Electric Company's 2013-2015 Storm Hardening Plan

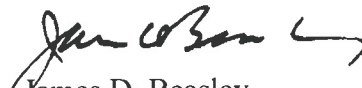
Dear Ms. Cole"

Pursuant to Rule 25-6.0342, Florida Administrative Code, and Order No. PSC-07-1020-FOF-EI, issued in Docket No. 070297-EI on December 28, 2007, we enclosed for filing the original and 15 copies of Tampa Electric Company's updated 2013-2015 Storm Hardening Plan.

Please acknowledge receipt and filing of the above by stamping the duplicate copy of this letter and returning same to this writer.

Thank you for your assistance in connection with this matter.

Sincerely,


James D. Beasley

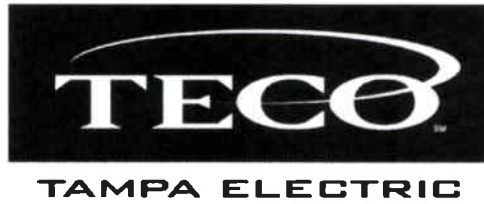
JDB/pp
Enclosure

COM _____
AFD _____
APA _____
ECO _____
ENG 13 _____
GCL 2 _____
IDM _____
TEL _____
CLK _____

DOCUMENT NUMBER-DATE

02471 MAY-3 2013

FPSC-COMMISSION CLERK



2013 – 2015 Storm Hardening Plan

Filed: May 3, 2013

DOCUMENT NUMBER-DATE
02471 MAY-3 2013
FPSC-COMMISSION CLERK

Table of Contents

1	INTRODUCTION	5
2	PURPOSE.....	5
3	SCOPE	6
4	REFERENCES	6
5	DEFINITIONS	7
6	CONSTRUCTION STANDARDS, POLICIES, PRACTICES and PROCEDURES	8
6.1	Design Philosophy.....	8
6.1.1	Experience with Major Storm Events	11
6.1.2	Distribution.....	12
6.1.2.1	Overhead System.....	12
6.1.2.2	Underground Facilities	14
6.1.2.3	Location of Facilities	17
6.1.2.4	Critical Infrastructure	18
6.1.3	Overhead to Underground Conversions	18
6.1.4	Transmission	19
6.1.4.1	Transmission Structures.....	19
6.1.4.2	Foundations.....	21
6.1.4.3	Design Criteria.....	21
6.1.5	Substation.....	22
6.1.5.1	Design Philosophy.....	22
6.1.5.2	Construction Standards.....	23
7	DEPLOYMENT STRATEGY	24
7.1	Construction Standards.....	24
7.2	Maintenance programs.....	25
7.2.1	Vegetation Management	25
7.2.2	Distribution Maintenance.....	25
7.2.2.1	Pole Replacements	25

7.2.3	Transmission Maintenance	26
7.2.3.1	Groundline Inspection	27
7.2.3.2	Ground Patrol	27
7.2.3.3	Aerial Infrared Patrol	27
7.2.3.4	Above Ground Inspection.....	28
7.2.3.5	Pre-Climb Inspections	28
7.2.3.6	Reporting.....	28
7.2.3.7	Pole Replacements	29
7.2.4	Substation Maintenance.....	29
7.3	Other Storm Hardening Initiatives	30
7.3.1	Downtown Network	30
7.3.2	Overhead to Underground Conversion of Interstate Highway Crossings.....	30
7.3.3	Post-Storm Data Collection and Forensic Analysis.....	31
7.3.4	Tampa Bay Substation – TIA Airport.....	32
7.4	Extreme Wind Pilot Program	32
7.4.1	Port of Tampa.....	33
7.4.2	Saint Joseph’s Hospital	33
7.5	2013-2015 Deployment and Costs.....	33
7.5.1	Third Party Attacher Benefits and Impacts.....	34
8	ATTACHMENT STANDARDS AND PROCEDURES	35
8.1	Access to Tampa Electric poles	35
8.2	Permit Application Procedure.....	35
8.2.1	Permit Application Documentation	36
8.2.2	Permit Engineering Study Review.....	37
8.3	Make Ready	37
8.3.1	Make Ready Construction Not Required.....	37
8.3.2	Make Ready Construction Required by Tampa Electric	37
8.3.3	Make Ready Construction Required by Existing Third Party Attacher.....	38
8.4	Tampa Electric Post Inspection Process.....	38

8.4.1	Code Violations	39
8.5	National Joint Utility Notification System.....	39
8.6	Permit Closeout and Final Billing	39
8.7	Pole Inspection Program.....	40
8.8	Joint Use Pole Attachment Audit.....	40
	Attachment A.....	42
	Attachment B.....	51
	Attachment C.....	52

1 INTRODUCTION

Tampa Electric's 2013-2015 Storm Hardening Plan is an important part of Tampa Electric's multi-pronged approach to enhance the reliability of the overhead and underground electrical transmission and distribution facilities and has been developed in conformance to Florida Public Service Commission ("FPSC") Order No. PSC-07-0043-FOF-EU issued January 16, 2007.

Tampa Electric serves 687,000 customers and its service area covers 2,000 square miles in West Central Florida, including all of Hillsborough County and parts of Polk, Pasco and Pinellas Counties. Tampa Electric's transmission system consists of approximately 1,300 miles of overhead facilities (25,500 poles) and 14 miles of underground facilities. The company's distribution system consists of approximately 6,300 miles of overhead lines (393,000 poles) and 4,800 miles of underground lines. Tampa Electric also has approximately 352,000 authorized third party attachments on its transmission and distribution poles.

2 PURPOSE

The purpose of this plan is to define the design criteria, construction standards, maintenance practices, system inspection programs and other policies and procedures utilized for all new transmission, distribution and substation facilities constructed in Tampa Electric's service territory. This plan will also describe in detail the company's deployment strategy to achieve the plan's objectives, which include the costs and benefits expected, and the benefits and impacts to third party attachers. Finally, the plan will outline the company's pole attachment standards and procedures for third party attachers ("joint users").

3 SCOPE

This plan is intended to apply to all new construction and maintenance of transmission, distribution and substation facilities by Tampa Electric in its service territory and all third parties who access and attach to Tampa Electric facilities subsequent to the Commission-approved date of the plan.

Tampa Electric's 2013-2015 Storm Hardening Plan is in large part a continuation of hardening practices found in the company's 2007-2009 and 2010-2012 Storm Hardening Plans approved by the Commission. The company will continue the National Electrical Safety Code ("NESC") Grade B construction for distribution, wood transmission pole replacements as well as new construction of transmission with non-wood poles, maximum required NESC extreme wind transmission design for entire service area, comprehensive inspections on transmission and distribution facilities, strategic undergrounding of interstate crossings, an aggressive vegetation management program, adherence to pole attachment standards for third parties and substation enhancements. The company believes these measures will continue to strengthen the system beyond its current state of readiness.

4 REFERENCES

The following resources are referenced in this plan:

- 2012 National Electrical Safety Code ("NESC")
- National Hurricane Center Database
- Florida State Building Code
- Hillsborough County Wind Maps
- Tampa Electric's 2006 Storm Implementation Plan
- Distribution Engineering Technical Manual ("DETM")

- Standard Electrical Service Requirements (“SESR”)
- General Rules and Specifications (“GR&S”)
- General Rules and Specifications Underground (“GR&S-UG”)
- Approved Materials Catalog (“AMC”)
- Hillsborough County Flood Hazard Maps

5 DEFINITIONS

AAAC - All aluminum alloy conductor.

ACSR (aluminum conductor, steel reinforced) - ACSR conductor, a stranded steel core carries the mechanical load, and layers of stranded aluminum surrounding the core carry the current.

Attachers – Any entity that has placed any facility on a Tampa Electric owned pole. Facilities may include but are not limited to cables, messenger wires, catenary support wires, power supplies, equipment boxes, grounding wires or lugs, brackets, guys, etc.

Chromated copper arsenate (“CCA”) – This is a chemical wood preservative containing chromium, copper and arsenic. CCA is used in pressure treated wood to protect wood from rotting due to insects and microbial agents.

Distribution – electric facilities operating below 69 kV.

Transmission – electric facilities operating at 69 kV or above.

6 CONSTRUCTION STANDARDS, POLICIES, PRACTICES and PROCEDURES

6.1 Design Philosophy

The basis of Tampa Electric's construction standards, policies, practices and procedures is the NESC. From this foundation, the company's philosophy is to implement safe, reliable and cost-effective service to its customers. The two main elements of the NESC address minimum clearances and loading criteria required to maintain a safe system for both the public and the workers who construct and maintain the system. Tampa Electric's construction standards and policies meet or exceed all minimum NESC clearance requirements.

NESC Rule 250, which addresses pole loading requirements in the United States, is divided into three loading districts; Heavy, Medium and Light (see Fig. 1 below). The Tampa Electric service area is located in the Light loading district, which assumes no ice buildup and a wind pressure rating of nine pounds per square foot. The nine pound wind corresponds to approximately 60 mph. The Light loading district wind speed corresponds to a wind pressure of more than twice that in the Heavy or Medium districts due to the strong (non-linear) dependence of the wind force on wind speed (The wind pressure is proportional to the square of the wind speed.). Another part of the NESC Rule 250 requires safety loading factors applied to the calculated wind forces to provide a conservative margin of safety when selecting appropriate pole sizes. A safety loading factor of 2.06:1 is applied to Grade C construction and 3.85:1 is applied to Grade B construction. The effective wind speed of Grade B new construction is approximately 116 mph. According to the NESC, Grade B wind loading criteria must be applied when constructing facilities less than 60 feet in height when crossing railroads, bridges and highways.

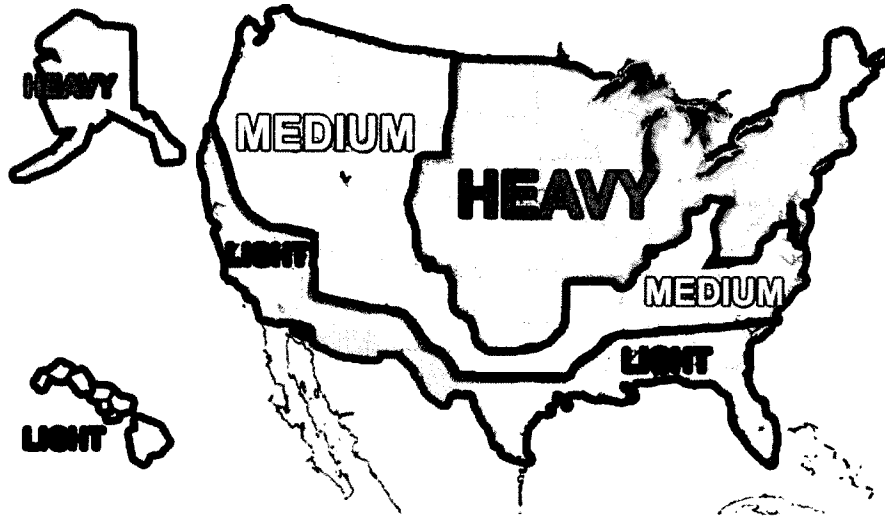


Fig.1- NESC General loading map of United States with respect to loading of overhead lines

The NESC also specifies an extreme wind pole loading criteria for all facilities constructed that are 60 feet in height or greater. The NESC provides a wind loading map that indicates the wind speed criteria for each area of the country. These same criteria and regional boundaries, developed by the American Society of Civil Engineers (“ASCE”), are utilized by the state of Florida and Hillsborough County for building code requirements. Tampa Electric’s service territory is divided into two wind regions (see Fig. 2 below). The western half is in the 120 mph zone and the eastern half is in the 110 mph zone.

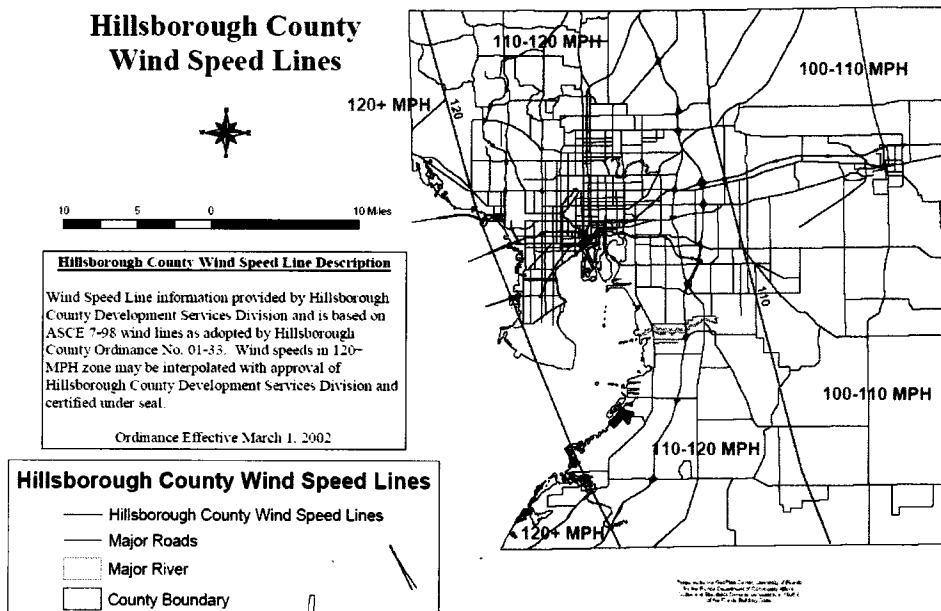


Fig. 2 - Hillsborough Wind-Borne Debris Region

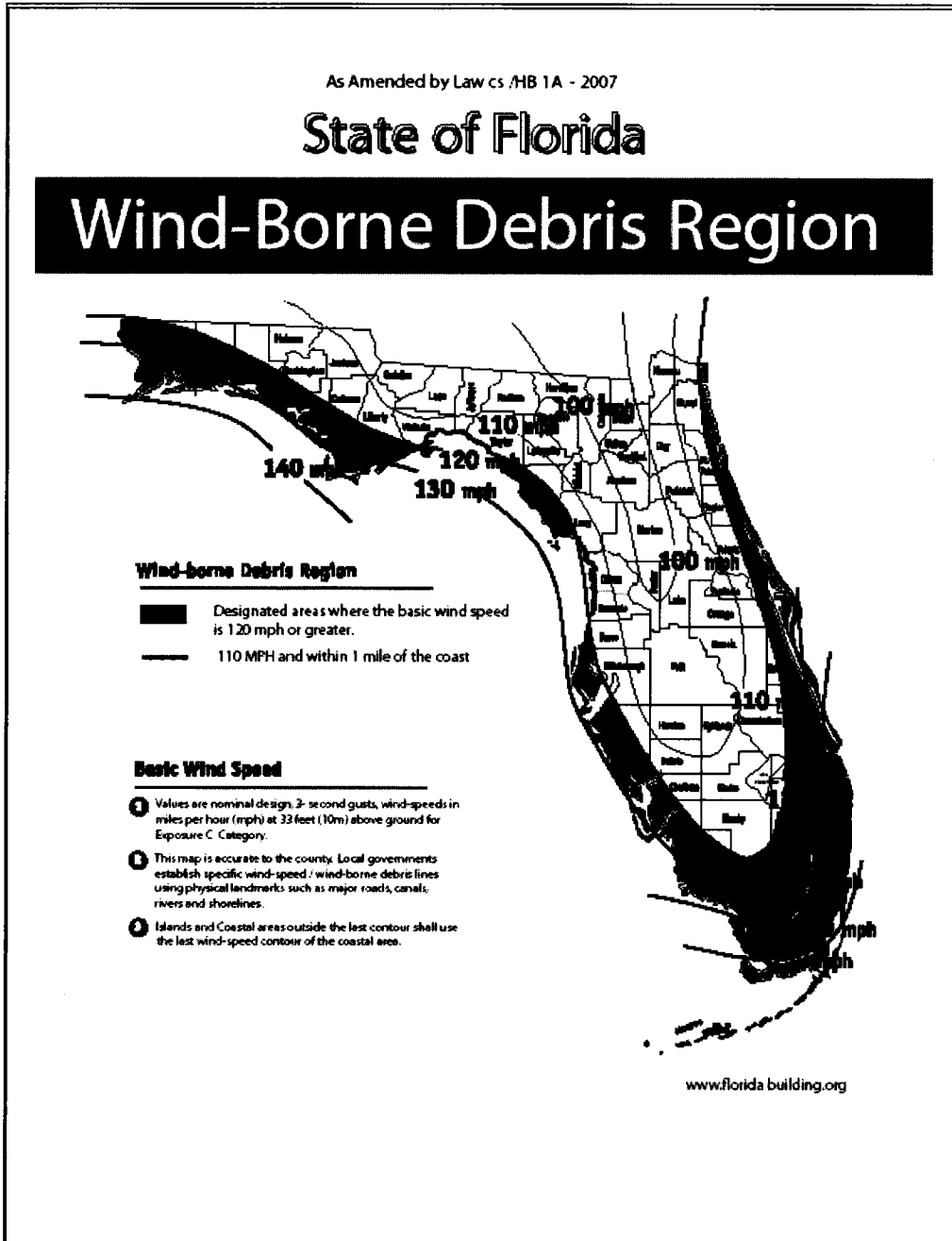


Fig. 3 - Florida Wind-Borne Debris Region

It should also be noted that the Florida Building Code wind-borne debris region shown in Fig. 3 above is the area where winds are greater than 120 mph. This wind-borne debris region is located outside of Tampa Electric's service territory.

6.1.1 Experience with Major Storm Events

Table 1 below provides the details of major storms affecting Tampa Electric's service area since 1850. The data is from the National Hurricane Center database.

Table 1. Storms Affecting Tampa Electric Service Area Since 1850

Year	Storm Name	Size¹	Wind Speed² (mph)
1852	Not Named	TS	69
1894	Not Named	Cat 1	86
1910	Not Named	Cat 1	80
1921	Not Named	Cat 2	97
1925	Not Named	TS	69
1933	Not Named	TS	63
1945	Not Named	Cat 2	97
1946	Not Named	TS	46
1949	Not Named	Cat 3	115
1960	Donna	Cat 3	115
1995	Erin	TS	57
2004	Charley	Cat 2	86
2004	Francis	Cat 1	63
2004	Jeanne	Cat 1	63
2005	Dennis	TS	43
2005	Wilma	TS	44
2006	Alberto	TS	45
2007	Barry	TS	31
2012	Debby	TS	53
2012	Isaac	TS	36

Table Notes

1. Maximum category when the storm passed through the Tampa Electric service area
2. Maximum sustained surface wind speed when the storm passed through the Tampa Electric service area

6.1.2 Distribution

This section of the plan builds upon the design philosophy discussed above and provides an overview of the design criteria, construction standards and practices applicable to all new distribution facilities. This section also presents a broad discussion of distribution materials and structure types utilized.

Tampa Electric has developed and maintains a DETM which provides corporate and field personnel the policies, procedures and technical data related to the design of distribution facilities owned and operated by the company. Information contained in this manual along with the SESR, GR&S, GR&S-UG and AMC, provide guidelines for designing, constructing and maintaining Tampa Electric's distribution system.

6.1.2.1 Overhead System

Voltage

Tampa Electric's standard distribution feeder system operates at 13.2 kV three-phase primary voltage.

Clearances

Primary voltage conductors are located in the power space on the pole which is the upper most portion of the pole as defined by the NESC. Secondary and service conductors along with the neutral are located approximately six feet lower than the primary conductors. Joint attachers are located in the communication space on the pole which is at a minimum 40 inches below the neutral cable or Tampa Electric's communication cable. For typical clearances applicable to joint use attachments see Attachment A.

Pole Loading

Tampa Electric utilizes NESC construction Grade B loading criteria as the basis for its construction standard for all new construction, major planned work, expansions, rebuilds and relocations on the overhead distribution system. As described in Section 6.1 above, the safety factors considered in the NESC construction Grade B criteria provide for a system that is 87 percent stronger than the NESC construction Grade C criteria which results in a robust design that the company's experience has shown to provide safe, reliable and cost-effective service. This standard exceeds the minimum requirement of the NESC, which requires distribution poles to be designed to construction Grade C. While the NESC has requirements related to extreme wind conditions, these requirements are only for structures over 60 feet in height and rarely apply to distribution structures.

Tampa Electric's experience continues to show that there is no substantial evidence that building distribution structures to extreme wind construction grades will prevent damage from falling trees, tree limbs and flying debris during major storm events. Tampa Electric has concluded from its storm restoration experience and historical hurricane exposure that Grade B construction, which will withstand an effective wind speed between 116 mph (new construction) and 95 mph (at replacement), is the most cost-effective and reliable standard for the company's service area.

Materials

There are several types of poles that are used for distribution structures. Tampa Electric's distribution system consists of wood, concrete, steel and fiberglass poles. The standard for all new construction is wood poles that are treated with CCA.

The company's standard conductor for circuit feeders is 336 kcmil ACSR with a 2/0 AAAC neutral. Conductor sizes utilized for distribution laterals (overhead takeoffs from feeders) may either be #2, 2/0 or 4/0 AAAC with some older existing facilities containing #6 copper conductor.

Construction Types

Proper configuration selection is emphasized for maintenance, safety and economics. The existing line configuration should be maintained on multi-phase line extensions. Distribution facilities are not rebuilt or replaced for the sole purpose of appearance, unless paid for by the customer.

Triangular line configuration using fiberglass brackets is the preferred construction standard. It is the most economical to install and is particularly suited to situations involving restrictive rights-of-way, easements and clearances. Because of its narrow profile, it should be used for locations with numerous trees. Other construction types that may be used include vertical, modified vertical and wood or fiberglass cross arms.

Pole Loading Compliance

A new process was implemented in 2007 that will assure Tampa Electric is in compliance with all NESC loading requirements and company construction standards. Tampa Electric adopted the use of a pole loading software program, "PoleForeman," as part of this implementation. The program utilizes the company's construction standards (templates) to model each pole and assist company distribution design technicians. The technician inputs the appropriate template, conductor, pole size and class, which the program uses to determine all loads on the pole. The program applies the loads to the structure and calculates the resulting stresses as a percent utilization of the pole.

6.1.2.2 Underground Facilities

Standard Design

Tampa Electric's standard underground distribution system consists of normally looped circuits operating at 13.2 kV three-phase or 7.6 kV single-phase primary voltages. The standard cable is 15 kV strand-filled jacketed tree-retardant cross-linked polyethylene insulated aluminum cable with a copper concentric neutral.

Tampa Electric's standard is to place all underground distribution cables in a conduit system buried with 24 to 36 inches of ground cover. Since 2004, all primary switchgear has been specified using 100 percent stainless steel enclosures, and since 2008 all padmounted transformers have been specified using 100 percent stainless steel enclosures to reduce the corrosive effects from salt spray, effluent irrigation spray and to help harden the equipment against the corrosive effects of a saltwater storm surge.

Network Service

Tampa Electric has two types of underground facilities: standard underground facilities used in residential subdivisions and commercial areas described above, and network service. Network service provides a high level of reliability and operating flexibility. The company utilizes two types of network service: an integrated secondary grid network that serves the high-density load area in downtown Tampa, and spot network systems that serve high-density load in the downtown Tampa network area and at Tampa International Airport ("TIA"). The network system provides redundant feeds and thus is designed to maintain service during a first contingency outage. The network system is designed to resist water intrusion and is located in vaults, some of which are below-grade. However, the customer-owned electrical panels are not waterproof and will likely be severely impacted by saltwater intrusion thus possibly delaying power restoration.

Construction Standards in Coastal Areas

Tampa Electric's service area is partially bounded by Tampa Bay and has approximately 60 square miles of land in the Flood Zone 1 designated area as defined in Hillsborough County's Hazard Flood Maps. Along these coastal areas there is increased risk of storm surge, flooding and saltwater contamination. Since 2008, the company's standard is that new underground distribution facilities (padmounted transformers, switchgear and load break cabinets) shall be of stainless steel or aluminum construction and bolted to the concrete pad. Upgrading the material from mild steel to stainless steel or aluminum makes it more durable and typically extends equipment life after saltwater contamination; however, the equipment is not

waterproof and may require cleaning following a flooding event prior to re-energizing.

Procedures Following Flooding Events

The company has considered two scenarios that could occur in these flood prone areas. The first scenario, and the most catastrophic event, would be a Category 3 hurricane or greater with a storm surge of 12 feet or greater producing high crushing water, sand and debris. In this event, the company anticipates everything in the storm surge's path would be moved or buried, as was the case in the aftermath of Hurricane Ivan in Gulf Power's utility system. The result was no load to serve for an extended period of time after the storm surge. In light of this experience, Tampa Electric has concluded that it is not practical or cost-effective to attempt the design of an underground system to withstand such an event.

The second scenario is a flooding event where a less severe storm surge of up to five feet occurs during a Category 1 hurricane. In most cases, and depending on the level of water, there may not be any load to serve immediately; however, the buildings, houses, etc., will still be standing and may not be habitable.

Tampa Electric recognizes there is a significant chance that some equipment may become submerged or flooded during a storm. Although specific locations and severity of flooding cannot be pre-determined, Tampa Electric may choose to de-energize portions of its system if it is in the public's best interest and can be done safely. Tampa Electric will also de-energize portions of its system if directed by the appropriate governing authorities. Prior to re-energizing flooded switchgear and padmounted transformers, the underground equipment will be visually inspected and cleaned with fresh water if saltwater intrusion has occurred. The switchgear fuses will be replaced if the flood levels exceeded the height of the fused barrels. All meters that have been submerged will be replaced prior to re-energizing. If a replacement is not immediately available, the customer's meter may be bypassed. The service can be re-energized after the customer requests it and only after the water has receded and the meter socket and main disconnect have been visually inspected.

Tampa Electric's inspection jurisdiction is limited to the meter, meter socket and main disconnect.

Major storms can cause damage to customer-owned equipment as well, such as pipe mast, switchgear or meter socket. In this case, Tampa Electric will notify the affected customer that service cannot be restored until the customer secures the services of an electrical contractor to make the appropriate repairs, and those repairs are inspected by the governing agency.

6.1.2.3 Location of Facilities

Tampa Electric's policy is to place all new distribution facilities in public right-of-way ("ROW"), which is typically in the front of the customer premise and not to build in rear lot easements. The company clearly recognizes that limited access to facilities located behind the customer's premise significantly increases restoration time. This frontal approach facilitates efficient access during installation and maintenance of the facilities. Prior to 1970 and this policy, distribution facilities were constructed in rear lot easements. Occasionally communities or homeowner associations make inquiries regarding the relocation of overhead facilities from rear lot locations to the front of customers' properties. Tampa Electric evaluates each inquiry on a case-by-case basis for feasibility, practicality and cost-effectiveness. Consideration is given to the impact of any tree trimming required along the front of the property, conversion costs, joint attacher cost impacts and scheduling, ROW availability, customers' service main locations and the availability of front access to the dwelling or building.

Should a major storm impact Tampa Electric's service area, the company will evaluate opportunities that may present themselves to relocate rear lot facilities to the front of property as a better alternative than attempting to replace downed facilities in the original rear lot easement. In this situation, customer and third party attacher (if present) consensus must be quickly collected so as not to delay restoration.

6.1.2.4 Critical Infrastructure

Tampa Electric has identified its critical infrastructure as those circuits feeding loads which are critical to the maintenance of basic services that include: public health (water and sewage, fire, hospitals), distilled fuels (refinery, tank farm) and transport hubs (airports). These circuits have the highest restoration priority level. Examples of these types of customers in Tampa Electric's service territory include the TIA, hospitals, Port of Tampa, County and City Emergency Operations Centers, key police and fire stations and major water and sewage pumping facilities. Tampa Electric has hardened several circuits which feed some of the most critical customers on the company's system to extreme wind criteria. These projects are a part of a pilot program set up to evaluate the benefits of utilizing the NESC extreme wind loading requirements on the distribution system.

6.1.3 Overhead to Underground Conversions

Tampa Electric will continue to evaluate community, governmental agency and homeowner association requests to convert existing overhead power lines to underground. Each inquiry will be evaluated on a case by case basis for feasibility, practicality and cost impact. Consideration will be given to conversion costs, ROW availability for underground facilities, physical constraints, maintenance costs, additional customer cost associated with service main conversion from overhead to underground, joint attacher impact cost, scheduling and coordination.

Tampa Electric developed Table 2 below to illustrate the benefits and drawbacks associated with both overhead and underground electric service.

Table 2 - Summary of Benefits and Drawbacks of Overhead and Underground Electric Service

Overhead		Underground	
Benefits	Drawbacks	Benefits	Drawbacks
Lower cost to install and maintain	Overhead lines tend to have more power outages primarily due to trees coming in contact	Better aesthetics	Difficult and longer to trouble shoot outages
Easier to restore and locate faults	Higher exposure due to wind impact	Less exposure to high winds and reduced outages due to animals	More costly to restore/repair outages (four times) ¹
Shorter duration of power outages	Accidental contacts from antennas and aluminum gutter installations	No tree trimming expense	More exposure due to storm surge or flooding
Overhead facilities have more operational flexibility, e.g., adding transformer, tapping lateral	High exposure in traffic areas, roadways, easements	Property values tend to be higher	More costly to install and maintain. Up to ten times the cost of new overhead power line ² and higher cost upgrading existing underground facilities due to expansion
Higher life expectancy	Poor aesthetics	Reduce risk of electrocutions due to antennas and aluminum gutter installations	40 year old overhead lines have better reliability than 20 year old underground lines ¹

1. From the North Carolina Utilities Commission, November 2003, Feasibility of Placing Electric Distribution Facilities Underground
2. From the Edison Electric Institute, 2004, *Out of Sight, Out of Mind, A study on the costs and benefits of undergrounding overhead lines.*

6.1.4 Transmission

This section of the plan provides an overview of design considerations and references when performing a transmission structure analysis for new and existing facilities. This section is a broad discussion of transmission structure types, foundation design and design criteria.

6.1.4.1 Transmission Structures

Voltage levels

Tampa Electric's transmission system consists of circuits operating at 230 kV, 138 kV and 69 kV voltages. These circuits consist of a minimum of three phase conductors and (usually) a static wire (ground). Additional facilities may exist or be incorporated in the design of a transmission structure. These include additional

transmission circuits, optical ground wire, communication circuits, distribution circuits and an assortment of wire attachments by joint users.

Material types

There are several types of materials that are utilized for transmission structures. Tampa Electric's transmission system consists of wood, concrete, aluminum, steel and composite supporting structures. Past practices included wood pole, aluminum and lattice steel structure design. Pre-stressed spun concrete, tubular steel and composite poles are now the preferred structure material types. Since 1991, Tampa Electric has adopted a standard that all new construction, line relocations and maintenance replacements will use pre-stressed spun concrete, steel or composite pole structures.

Configuration Types

There are multiple transmission structure configurations utilized. Prior to pre-stressed spun concrete and tubular steel technology, typical structure configurations commonly consisted of single wood pole or multiple wood pole structures, lattice aluminum H-frames and lattice steel towers. The advent of pre-stressed spun concrete and tubular steel poles has permitted a more cost-effective, lower maintenance and higher strength option. The pre-stressed spun concrete poles and tubular steel poles are utilized in single or multiple pole configurations.

The configurations will vary widely when considering the many variables attributed to transmission facilities. Some of these variables are: number of circuits, conductor size, structure strength, span length, soil conditions, ROW width, potential permitting requirements, utilization of adjacent land, environmental impacts, electric and magnetic field criteria, aesthetics, economics and community input. Single pre-stressed spun concrete or tubular steel structure configurations have proven to be the most economical and maintainable choice given the work environment and constraints encountered while engineering and constructing transmission facilities.

6.1.4.2 Foundations

Direct embedment is the preferred foundation type utilized for pre-stressed spun concrete, tubular steel or composite structures. A direct embedded foundation typically has a specified depth and diameter. The direct embedded foundation also requires that a segment of the superstructure to be embedded below ground, acting as part of the foundation, with natural soil, crushed rock or concrete backfill.

When a structure location requires it, Tampa Electric uses an industry accepted program for foundation design. Soil borings are collected or standard penetration tests are conducted to compile the appropriate soil data for foundation analysis.

6.1.4.3 Design Criteria

There are two types of methodologies used to analyze pole strength. Tampa Electric uses the ultimate strength analysis for all wood and non-wood structures. However, it is acceptable and often recommended to use the working stress method for wood poles.

Tampa Electric designs and specifies all transmission facilities in accordance with the latest version of the NESC. All designs address NESC extreme wind and Grade B construction at a minimum. The extreme wind loads are applied to all attachments on the transmission structure regardless of attachment height.

Tampa Electric's service area is largely within the 100 to 120 mph extreme wind contours referenced in the NESC. For design consistency, the 120 mph wind standard is applied on all 69 and 138 kV structures throughout the service area. In addition, a 133 mph wind standard is applied to 230 kV structures throughout Tampa Electric's service area. The 133 mph wind standard generally exceeds the NESC requirements for extreme wind loading. This standard was adopted when Tampa Electric commissioned the first 230 kV line in its service area and the company continues to support the 133 mph wind standard as the best practice for 230 kV line construction.

Since the inception of the NESC extreme wind standard, it has been applied to Tampa Electric transmission facilities. However, the company has historically applied a 133 mph wind standard to 230 kV facilities and in some cases an even higher wind speed has been applied. An example of this is the Alafia River crossing where a 150 mph wind standard was used.

6.1.5 Substation

Tampa Electric designs, constructs and maintains transmission and distribution substations and switchyards ranging from 13.2 to 230 kV. This includes performing siting studies, physical design, grading and drainage, foundation design, layout and design of control buildings, structure design and analysis, protection and control systems, and preparation of complete specifications for material, equipment and construction. The company currently has 214 substations.

6.1.5.1 Design Philosophy

Wind Strength Requirements

Tampa Electric designs its substations in accordance with the latest approved version of the NESC. Currently, all distribution substation structures are designed to withstand a wind load of 120 mph.

All 230 kV generation facilities and 230 kV transmission stations, current design standards call for terminal line structures to withstand 133 mph wind loading along with the line tension of the transmission circuit.

The design standards summarized above meet the NESC loading criteria for extreme wind, Grade B construction. As previously stated, Tampa Electric's service area is within the 100 to 120 mph extreme wind contours referenced in the NESC.

Protection

Animal protection covers are installed on all new 13 kV bushings, lightning arrestors, switches and leads. This helps prevent outages caused by animals and will also

reduce damage from debris that may get inside the substation during a major storm event. Tampa Electric uses circuit switchers instead of fuses or ground switches on new and upgraded transformer installations. This design will clear a fault faster which minimizes damage and greatly reduces restoration time.

Other

Equipment elevations will be carefully evaluated when building on existing sites or when selecting future sites in the Flood Zone 1 designated area. Information on past flooding and potential future storm surge levels will be evaluated. Most equipment is built on steel supports and is above expected flood levels. Some equipment such as transformers can be submerged up to the point of attached cabinets and controls. Therefore the major focus will be on the elevation and water resistance of the control cabinets and related equipment. The sites and/or equipment will be elevated based on the overall site permitting that must be done with the governmental and environmental agencies while taking into consideration the surrounding area.

6.1.5.2 Construction Standards

In a typical new distribution substation, the structures are of a galvanized tubular steel design. The tallest structure is approximately 24 feet above grade, with the majority of the structures and equipment being below 17 feet. Distribution feeder circuits are designed to exit the substation via underground cables installed inside six-inch conduit.

Control buildings are installed in 230 kV substations and 69 kV switching stations. These buildings have historically been of concrete block construction with poured concrete columns and concrete roof panels, which are designed to withstand winds of 120 mph without any damage to the building or the equipment housed inside. Control buildings currently being installed are pre-fabricated metal buildings designed for 150 mph wind loading.

Chain link perimeter fences, depending on height and type of construction, have been designed to withstand 100 to 120 mph winds. Current fences are being designed for

120 mph. Perimeter walls are designed in accordance with the Florida Building Code, 125 mph wind load, Exposure B. Tampa Electric installs eight-foot tall perimeter chain link fences or walls, which exceed the NESC minimum height of seven feet. This provides additional protection from wind-blown debris. Tampa Electric has determined that this fencing standard is most effective in blocking debris.

7 DEPLOYMENT STRATEGY

Tampa Electric's 2013-2015 Storm Hardening Plan's deployment strategy will enhance system reliability and reduce storm restoration costs through the continuation of several core components it's previous Storm Hardening Plans. The deployment strategy includes the continuation of: 1) the implementation of the enhanced construction standards outlined above for all new transmission, distribution and substation facilities, 2) the various maintenance programs that will strengthen and upgrade the system to current standards, 3) other specific ongoing storm hardening initiatives as outlined in Tampa Electric's 2006 Storm Implementation Plan filed March 2, 2007, and 4) the evaluation of the construction programs piloting the extreme wind loading standard for select targeted distribution facilities serving critical infrastructure within the company's service territory.

7.1 Construction Standards

The transmission, distribution and substation design and construction standards described in Section 6 are in affect and apply to all new facilities as well as all rebuilds, relocations and maintenance.

A majority of new distribution facilities Tampa Electric constructs each year is placed underground, however the company has averaged 20 miles of new overhead distribution construction over the last few years. The company also has multiple transmission construction projects which have recently been completed or will be completed within the next three years. Additionally, Tampa Electric plans to

construct, rerate or rebuild approximately 22 miles of overhead transmission of various transmission voltages during the 2013-2015 time period.

7.2 Maintenance programs

7.2.1 Vegetation Management

Tampa Electric's Vegetation Management Program includes a balanced approach to improve the quality of line clearance and reliability while adhering to the American National Standards Institute ("ANSI") A300 pruning standards. The company manages over 6,300 miles of overhead distribution and 1,300 miles of overhead transmission lines over five counties within Florida. Tampa Electric's current vegetation management plans call for trimming its distribution system on a four-year cycle, changed from a three-year cycle in 2012 in Docket No. 120038-EI, while incorporating the flexibility to change circuit prioritization utilizing the company's reliability based methodology.

7.2.2 Distribution Maintenance

7.2.2.1 Pole Replacements

Tampa Electric's Wood Pole Groundline Inspection Program is part of a comprehensive program initiated by the FPSC for Florida investor-owned electric utilities to harden the electric system against severe weather and unauthorized and unnoticed non-electric pole attachments which affect the loadings on poles.

This inspection program complies with Order No. PSC-06-0144-PAA-EI, issued February 27, 2006 in Docket No. 060078-EI which requires each investor-owned electric utility to implement an inspection program of its wooden transmission and distribution poles on an eight-year cycle based on the requirements of the NESC. This program provides a systematic identification of poles that require repair or replacement to meet strength requirements of the NESC.

Pole inspection targets by service area are established with a goal of completing approximately 12.5 percent of the entire system each year. The 2013-2015 groundline pole inspections program goals/targets include approximately 49,000 annual distribution pole inspections.

Tampa Electric will conduct a pole loading analysis and data collection on poles having third party attachments with a cable equal to or greater than one-half inch in diameter. The analysis will ensure that the condition of the pole meets the requirements in Table 261-1A of the NESC and Tampa Electric Construction Standards.

Tampa Electric's Groundline Inspections Program strategy takes a balanced approach and has produced excellent results in a cost-effective manner. The future inspections coupled with its pole replacement program will ultimately harden Tampa Electric's transmission and distribution systems.

7.2.3 Transmission Maintenance

The Tampa Electric transmission system inspection program identifies potential system problems along the entire transmission circuit by analyzing the structural conditions at the groundline, above ground, and the conductor spans. The inspection program is a multi-pronged approach. The inspection cycles are one, six or eight years depending on the goals or requirements of the inspection activity. Formal inspection activities included in the program are groundline inspection, ground patrol, aerial infrared patrol, above ground inspection and substation inspections. The ground patrol, aerial infrared patrol and substation inspections are performed on one-year cycles, the above ground inspection is performed on a six-year cycle and the groundline inspection is performed on an eight-year cycle. Additionally, pre-climb inspections are performed prior to commencing work on any structure.

7.2.3.1 Groundline Inspection

Tampa Electric has implemented a groundline inspection program that complies with the Commission's order requiring groundline inspection of wooden transmission structures. In addition, Tampa Electric has included provisions in the groundline inspection program to identify deficiencies with non-wood structures. Groundline inspections are performed on an eight-year cycle. Each year approximately 12.5 percent of all transmission structures are scheduled for inspection. These inspections will also include a wind load analysis that will be performed on the structures where third party attachments are present. In 2012, the number of groundline inspections performed on Tampa Electric's transmission poles enabled the company to complete the eight-year inspection cycle in seven years; therefore, no groundline inspections are planned for 2013. However, the next eight-year inspection cycle will begin in 2014. For 2014 and 2015, the company plans to perform 3,700 groundline inspections each year.

7.2.3.2 Ground Patrol

The ground patrol is a visual inspection for deficiencies including poles, insulators, switches, conductors, static wire and grounding provisions, cross arms, guying, hardware and encroachment. The ground patrol will include identification of vegetation encroachment as well as all circuit deficiencies. All transmission circuits are patrolled by ground at least once each year.

7.2.3.3 Aerial Infrared Patrol

The aerial infrared patrol is planned annually on the entire transmission system. It is performed by helicopter with a contractor specializing in thermographic power line inspections and a company employee serving as navigator and observer. This inspection identifies areas of concern that are not readily identifiable by normal visual methods as well as splices and other connections that are heating abnormally and may result in premature failure of the component. This inspection also identifies obvious

system deficiencies such as broken cross arms and visibly damaged poles. Since many of these structures are on limited access ROW, this aerial inspection provides a frequent review of the entire transmission system and helps identify potential reliability issues in a timely manner.

7.2.3.4 Above Ground Inspection

Above ground inspections are performed on transmission structures on a six-year cycle; therefore, each year approximately 17 percent or one-sixth of transmission structures are inspected. This inspection is typically performed by a contractor specializing in above ground power pole inspection and may be performed by climbers, bucket truck or helicopter. The above ground inspection is a comprehensive inspection that includes assessment of poles, insulators, switches, conductors, static wire, grounding provisions, cross arms, guying, hardware and encroachment issues. This program provides a detailed review of the above ground condition of the pole and the associated hardware on the structure. Annual above ground inspections are planned on approximately 3,800 structures comprising 24 circuits.

7.2.3.5 Pre-Climb Inspections

While not a part of the formal inspection program outlined above, Tampa Electric crews are required to inspect poles prior to climbing. As part of these inspections, the employee is required to visually inspect each pole prior to climbing and sound each pole with a hammer if deemed necessary. These pre-climbing inspections serve to provide an additional integrity check of poles prior to the employee ascending the pole and may also result in the identification of any structural deterioration issues.

7.2.3.6 Reporting

Standardized reports are provided for each of the formal inspections. Deficiencies identified during the inspections are entered into a database. This maintenance

database is used to prioritize and manage required remediation. Deficiencies identified during the pre-climb inspections are assessed by the on-site crew and reported to supervisory personnel for determination of next steps.

7.2.3.7 Pole Replacements

Tampa Electric is hardening the existing transmission system in a prudent, cost-effective manner utilizing its inspection and maintenance program to systematically replace wood structures with non-wood structures. The company has approximately 25,500 transmission poles with wood poles accounting for approximately 13,000 of the total. In 2013, it is estimated that Tampa Electric will harden 875 transmission structures. This includes 775 structure replacements with steel or concrete poles and 100 sets of insulators replaced with polymer insulators. The 2013 hardening goals were developed using historical failure rates scaled to the increased inspection cycles. It is anticipated that 2014 and 2015 will have similar amounts of replacements.

7.2.4 Substation Maintenance

Flood zones are carefully evaluated when building on existing sites or when selecting future sites. The company will continue to review existing sites in the Flood Zone 1 designated area. The major focus will be on the elevation and water resistance of control cabinets and related equipment. Prudent modifications will be made. Consideration will be given to whether there will be load to be served in the area of the substation immediately after a storm and if any load can be served from adjacent substations that are outside the flooded area.

When transformers are added to an existing substation or a transformer is upgraded, existing fences are removed and new fences are installed to meet or exceed current NESC wind and height standards. At the same time, animal protection covers are installed on all 13 kV bushings, lightning arrestors, switches and leads. This helps prevent damage from debris that gets inside the substation. This type of work will occur on an average of three substations per year based on current plans.

Tampa Electric also plans to convert from fuses or ground switch protection to circuit switchers whenever there is an opportunity.

7.3 Other Storm Hardening Initiatives

7.3.1 Downtown Network

The Tampa downtown network is a small area of dense loads comprised mostly of high-rise office buildings. This area is considered critical infrastructure because of the high concentration of business and governmental buildings in the area. The types of businesses include a telecommunications switching center, banking, city and county governmental offices, federal and county courthouses, as well as approximately 2,500 hotel rooms and 6.5 million square feet of office space. The company's Marion Street substation serves the downtown network with six underground distribution circuits.

The downtown network consists of 361 manholes and 56 network vaults. Most contain two network transformers and two network protectors. The typical elevation in the downtown area is 12 feet or greater; however, there are a few areas with lower elevation. In these areas, there are eight below-grade vaults, two of which have flooding tendencies. Although network protectors are designed to be resistant to water intrusion, Tampa Electric will test approximately eight network protectors per year in the 12 low-lying vaults. If leaks are found, all the pertinent gaskets will be replaced. In addition, for 2013 a restoration plan for the downtown network will be developed to ensure that an efficient network distribution system recovery takes place in the event of total power loss.

7.3.2 Overhead to Underground Conversion of Interstate Highway Crossings

This activity focuses on hardening limited access highway crossings which will prevent the hindrance of first responders, emergency vehicles and others due to fallen distribution lines blocking traffic. The restoration of downed overhead power lines over interstate highways can be lengthy because of heavy traffic congestion. Tampa

Electric's current preferred construction standard requires all distribution line interstate crossings to be underground. All remaining overhead crossings will be converted to underground as construction and maintenance activities present opportunities.

7.3.3 Post-Storm Data Collection and Forensic Analysis

Tampa Electric has implemented a formal process to randomly sample system damage following a major weather event in a statistically significant manner. This information will be used to perform forensic analysis in an attempt to categorize the root cause of equipment failure. From these reports, recommendations and possible changes will be made regarding engineering, equipment and construction standards and specifications. A hired third party of data collection specialists will patrol a representative sample of the damaged areas of the electric system following a major storm event and perform the data collection process. At a minimum, the following types of information will be collected:

- Pole/Structure - type of damage, size and type of pole, and likely cause of damage
- Conductor - type of damage, conductor type and size, and likely cause of damage
- Equipment - type of damage, overhead or underground, size, and likely cause of damage
- Hardware - type of damage, size and likely cause of damage

Third party engineering personnel will perform the forensic analysis of a representative sample of the data obtained to evaluate the root cause of failure and assess future preventive measures where possible and practical. This will include evaluating the type of material used, the type of construction and the environment where the damage occurred including existing vegetation and elevations. Changes

will be recommended and implemented if more effective solutions are identified by the analysis team.

7.3.4 Tampa Bay Substation – TIA Airport

TIA is currently served by six distribution circuits which are all underground and emanate from Skyway substation. Tampa Electric has implemented a project to feed approximately half of TIA's load from Tampa Bay substation which is located to the east of the airport. This substation is further inland and at a higher elevation than Skyway substation and, if needed, could feed TIA's total existing load in emergencies.

This project is broken into two phases. The first phase of the project to install three circuits from the Tampa Bay substation underground along with converting the landside terminal from network service to relay service was completed in 2009. The final phase, landside conversion, to install the six network protectors is scheduled for completion by May 2013.

7.4 Extreme Wind Pilot Program

Tampa Electric's 2007-2009 Storm Hardening Plan strategy for piloting the extreme wind loading construction criteria on distribution facilities focused on the system infrastructure serving two critical customers. These customers included a local hospital designated as a Level 2 Trauma Center and the Port of Tampa gasoline tank storage area. The company has completed the extreme wind loading enhancements to the infrastructure serving the hospital and the Port of Tampa. The circuits feeding the hospital and the Port of Tampa were rebuilt to meet extreme wind loading. Their performance will be closely monitored during and after hurricane events and compared to the performance of other circuits in the same area built to the current standard. Tampa Electric is not proposing any further pilot hardening projects until the performance of the existing projects has been evaluated under storm conditions.

7.4.1 Port of Tampa

The Port of Tampa is a critical facility as it serves 10 petroleum distribution customers that deliver 40 percent of the gasoline in the state of Florida. Approximately six miles of transmission and distribution feeder was rebuilt to meet the extreme wind requirements.

7.4.2 Saint Joseph's Hospital

While there are several hospitals in Tampa Electric's service territory that are considered critical customers, Saint Joseph's Hospital was chosen for this pilot program because of its Level 2 Trauma Center status, central location, high elevation and the cost-effectiveness of the hardening activities. The distribution feeder serving the hospital is approximately one-mile in length and was rebuilt to meet the extreme wind requirements.

7.5 2013-2015 Deployment and Costs (\$ in thousands)

Project	2013	2014	2015
Tampa International Airport	63	0	0
Downtown Tampa Network	30	30	30
Hardening of Interstate Crossings	350	350	350
Transmission Circuit Relocation	975	2,130	709
Transmission pole inspections	66	201	206
Transmission above ground inspections	314	323	332
Transmission pole replacements	17,075	11,619	7,518
Distribution pole inspections	1,610	1,666	1,707
Distribution pole replacements	23,550	29,805	15,539
Pole reinforcements	125	128	86
Substation enhancements	634	653	669
Vegetation management	8,526	8,954	9,178
Total	\$53,318	\$55,859	\$36,324

7.5.1 Third Party Attacher Benefits and Impacts

Tampa Electric's 2013–2015 Storm Hardening Plan is expected to provide benefit to all third party attachers and have minimal impact on third parties attached to the company's system. The largest impacts will come from the increased pole inspections, which include a pole loading analysis and the annual pole attachment audit that Tampa Electric will perform.

Pole loading calculations will be conducted as part of the pole inspection program on any joint use pole with an attachment of one-half inch in diameter cable or greater. This will ensure that each pole is not overloaded. Any pole that fails a preliminary stress test will be flagged and a comprehensive pole loading analysis will be conducted to determine if the pole is in fact overloaded. If the pole is overloaded, Tampa Electric will determine which attachment is actually causing the overload. If the responsible party is a joint use attaching entity that has not permitted with Tampa Electric to be on that pole, Tampa Electric will notify the joint use entity which will have the choice of removing the attachment(s) or paying for the cost of any needed corrective action. Comprehensive loading analysis results will indicate the percent of utilization by each attaching entity. If it is determined that a Tampa Electric attachment caused the pole to be overloaded, the pole will be replaced and the attaching entities will be notified of the need to transfer their attachments to the new pole. If it is determined that an attaching entity overloaded the pole, Tampa Electric will work with attaching entities to determine when an attachment was made and whether the attachment was approved by Tampa Electric prior to being placed on the pole. Once it is determined which entity overloaded the pole, that entity will be responsible for any corrective measures required to mitigate the overload. Each situation will be evaluated on a case-by-case basis with consideration given to the circumstances of the particular pole being evaluated.

Tampa Electric will continue conducting a comprehensive pole loading analysis where necessary and evaluate when to initiate the next system wide pole attachment audit. The purpose of this attachment audit is to identify the location of each pole, the

facilities attached and to obtain verification that such attachments are pursuant to a current joint use agreement. Costs of this audit will be shared by all attaching entities. Following the audit, if any unauthorized attachments are found, Tampa Electric will true-up its pole attachment count and back bill to the last audit unless the pole attachment owner can provide documentation of an approved permit authorizing the attachment. Unauthorized attachment fees may also be assessed for any attachments not previously approved. Additionally, the pole attachment owner will be responsible to pay for a complete engineering study and for any corrective action required to meet NESC and/or Tampa Electric construction standard requirements.

8 ATTACHMENT STANDARDS AND PROCEDURES

Tampa Electric has approximately 352,000 third party attachments on its transmission and distribution poles throughout its service territory. This includes attachments made by telecommunications companies, cable TV companies and governmental entities. This section of the plan outlines the standards, procedures and policies that must be adhered to by all third party attaching entities.

8.1 Access to Tampa Electric poles

Access to Tampa Electric poles is granted only to those companies who have an attachment agreement with the company. Licensee must also secure any necessary permit, consent, or certification from state, county or municipal authorities or private property owners prior to attaching. If an attaching entity does not currently have an agreement with Tampa Electric, it is necessary to contact the Pole Attachment and Contract Administration Department at the company (see Attachment B).

8.2 Permit Application Procedure

Prior to permit application submittal, the licensee should take the time to review its attachment agreement with Tampa Electric, including the Tampa Electric construction standards as outlined in Section 6.

Licensees will manage their online account and communicate with Tampa Electric in a paperless format. Prior to attaching, applicant shall log onto Tampa Electric's online application, SPIDAMin (www.spidamin.com), to select all new attachment requests or overlashing to existing attachments requests on Tampa Electric owned distribution and transmission poles. SPIDAMin will provide permit communication between Tampa Electric and the applicant. Tampa Electric also utilizes the National Joint Utilities Notification System ("NJUNS") to notify parties of requested actions. NJUNS notifications and information can also be accessed through SPIDAMin.

No access will be granted for attachment to any poles that are specifically used for private and street lighting systems only. Access to transmission poles is not mandated by the Telecommunications Act of 1996 and is typically not granted due to excessive make ready construction costs. It is recommended that the licensee should avoid permitting to attach to transmission poles whenever possible. A complete engineering study for transmission facilities may take much longer than the 45 days it takes for distribution pole access.

8.2.1 Permit Application Documentation

Licensee's completed permit application shall also include the documentation listed below. Additionally, a deposit may be required for the engineering study and any make ready construction activities. Omission of any required documentation may result in the rejection of licensee's permit application delaying the permit approval.

- Online submission of application identifying proposed activities to Tampa Electric structures.
- Legible map showing entire route highlighted, along with identification to correlate poles on map to poles selected in SPIDAMin. Files must be uploaded to SPIDAMin at the time of submission or application may be rejected.
- When selecting structures, engineering properties of proposed attachments or alterations selected must be included.
- Applications are held to a maximum of 50 structures. Larger projects must be divided into multiple applications. Structures in a submission must be related

by a common proximity route unless the application is for service drop attachment type only.

- Deposit fee in the amount of \$200.00 per pole (This may be based on credit worthiness and/or contract terms and conditions.)

8.2.2 Permit Engineering Study Review

Once Tampa Electric has received and accepted licensee's completed permit application, the company will review the proposed pole attachments and conduct a complete engineering study to ensure compliance of the NESC and Tampa Electric's construction standards. This study will include a structural loading and a clearance analysis on each pole. This study may take up to 45 days to complete for distribution poles and typically longer for transmission poles. Therefore, permit applications should be submitted a minimum of 90 days in advance of the expected installation date and an additional 45 days for make ready construction involving transmission. For joint use parties (e.g., Verizon, Century Link), Tampa Electric will determine whether joint use is excluded on any pole application within 10 days.

8.3 Make Ready

8.3.1 Make Ready Construction Not Required

If the results of the engineering study find no existing or proposed violations with the NESC and Tampa Electric construction standards, the company will return a signed copy of licensee's permit request (see Attachment C) approving the installation of the proposed attachments. The licensee has 120 days from the approved permit date to complete attachment construction.

8.3.2 Make Ready Construction Required by Tampa Electric

If it is determined that make ready construction by Tampa Electric is necessary to accommodate the proposed attachments, the company will notify licensee in writing of the required work along with an estimate of the construction costs. Upon licensee's acceptance of the estimate and submittal of any additional payments over and beyond

the initial deposit, Tampa Electric will schedule and complete the required make ready work. Upon completion of the make ready construction, Tampa Electric will return a signed copy of licensee's permit request (see Attachment C) approving the installation of the proposed attachments. The licensee has 120 days from the approved permit date to complete attachment construction.

8.3.3 Make Ready Construction Required by Existing Third Party Attacher

If it is determined that make ready construction by a third party attacher is necessary (lower or raise attachments) to accommodate the proposed attachments, Tampa Electric will notify licensee via the NJUNS describing the re-arrangement work required. The NJUNS system is internet based and is located at www.njuns.com. This system is used by Tampa Electric to communicate with its pole attachment licensees of the need to perform work. The licensee must contact the responsible third party directly to negotiate work schedules and/or costs. Upon completion of this work, Tampa Electric shall be notified via the completion of the NJUNS ticket which will prompt the company to schedule an inspection to confirm all make ready construction has been completed. Once approved, Tampa Electric will return a signed copy of Licensee's permit request (see Attachment C) approving the installation of the proposed attachments. The licensee has 120 days from the approved permit date to complete attachment construction.

8.4 Tampa Electric Post Inspection Process

Upon completion of licensee's attachment installation, Tampa Electric will perform a post inspection of licensee's construction. If Tampa Electric finds licensee's construction to meet all NESC and Tampa Electric standards, the company will authorize the installation, close the job and reconcile the final costs. For those companies utilizing SpidaMin, they will use that system to notify Tampa Electric of their attachments.

8.4.1 Code Violations

If the company finds any violations of Tampa Electric construction standards, licensee will be notified via NJUNS to make immediate corrections. The licensee will be given 30 days to correct the violations before Tampa Electric will schedule a second post inspection. If licensee fails the second post inspection, Tampa Electric will complete the work for licensee at licensee's expense. Repeated failure to correct any code violations within the 30 day time period may result in suspension of future attachment rights.

8.5 National Joint Utility Notification System

NJUNS (www.njuns.com) is an electronic notification tool used to notify licensee of any code violations found during the post inspection process. The use of this tool is paid for by Tampa Electric and does not cost licensee anything to use. The licensee will be required to communicate with Tampa Electric via this tool regarding all permit applications per its attachment agreement. Prior to submitting any permit application, licensee must have created an NJUNS account. Additionally, as part of its normal construction process, Tampa Electric will use NJUNS to notify licensees of the need to perform cable or equipment transfers when poles are being replaced or are being relocated. The licensee should contact Tampa Electric for assistance if necessary.

8.6 Permit Closeout and Final Billing

Upon completion of licensee's permit application, Tampa Electric will complete the final billing within 60 days of the completion date. Tampa Electric will reconcile the estimated pre-paid costs and the actual incurred costs. Tampa Electric will issue a refund check for any over payments or an invoice for any additional monies owed to the company. The invoice will include the total costs of the engineering conducted to process licensee's permit application and any construction costs due to make ready. If licensee's permit resulted in new attachments to Tampa Electric poles, licensee will

also receive an invoice for the advanced pole rental due for the total of the new pole attachments.

8.7 Pole Inspection Program

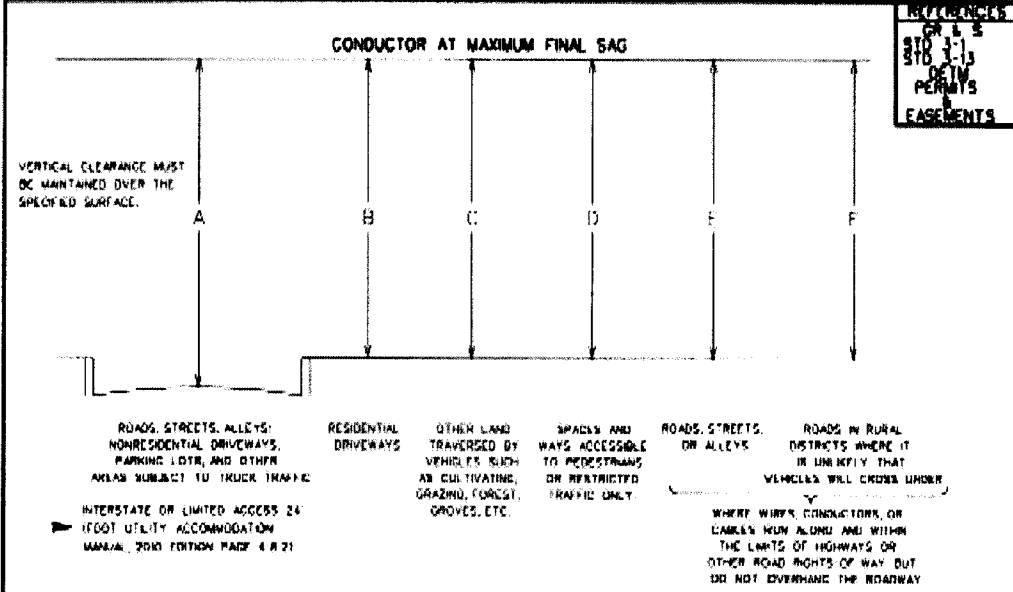
Pursuant to FPSC Order No. PSC-06-0144-PAA-EI (eight-year pole inspection requirement), Tampa Electric will conduct an inspection of all poles on its system on an eight-year cycle. Additionally, stress calculations will be conducted on any joint use pole to ensure that each pole is not overloaded or approaching overloading for instances not already addressed by Order No. PSC-06-0144-PAA-EI. Any pole that fails a preliminary stress test will be flagged and a comprehensive pole loading analysis will be conducted to determine two things: 1) confirm if the pole is in fact overloaded, and 2) if overloaded, which attachment is actually causing the overload. If the responsible party is a joint use attaching entity that has not permitted with Tampa Electric to be on that pole, Tampa Electric will notify said party. The joint use entity will have the choice to remove their attachment(s) or pay for the cost of corrective action. Corrective action will typically require either a pole replacement or the installation of an Osmose extended steel truss (E-truss).

8.8 Joint Use Pole Attachment Audit

Pursuant to FPSC Order No. PSC-06-0351-PAA-EI, Tampa Electric will conduct an audit of all pole attachments on an eight-year cycle at a minimum. For some licensees, Tampa Electric reserves the right to complete this audit annually. The decision to perform an audit on an annual basis will be made by Tampa Electric based on need and cost-effectiveness. The purpose of this audit of joint use attachments is to identify the location of each pole and the facilities attached and verification that such attachments are pursuant to a current joint use agreement. The cost of this audit is shared among all attaching entities. Tampa Electric tags and identifies all pole locations using a geographical positioning system. If any unauthorized attachments are found, Tampa Electric reserves the right to true-up its pole attachment count and back bill to the last audit unless licensee can provide documentation of an approved

permit authorizing the attachment (see Attachment C). Unauthorized attachment fees will also be assessed for any attachments not previously approved. Additionally, licensee will be responsible to pay for a complete engineering study and for any corrective action required to meet Tampa Electric construction standards.

Attachment A



VOLTAGES ARE PHASE-TO-GROUND FOR EFFECTIVELY GROUNDING CIRCUITS AND THOSE OTHER CIRCUITS WHERE ALL GROUND FAULTS ARE CLEARED BY PROMPTLY DE-ENERGIZING THE FAULTED SECTION, BOTH INITIALLY AND FOLLOWING SUBSEQUENT BREAKER OPERATIONS.

CLEARANCE CODE (SEE ABOVE ILLUSTRATION)	INSULATED COMMUNICATION CONDUCTORS AND CABLES INCLUDING SURGE PROTECTION DEVICES (UNGROUNDING DEVICES UNDESIRABLE TO 0 TO 300V NEUTRAL CONDUCTORS MEETING RULE 230C1, SUPPLY CABLES MEETING RULE 230C1)	NON-INSULATED COMMUNICATION CONDUCTORS OF 0 TO 750 V MEETING RULES 230C2 OR 230C3	SUPPLY CABLES OVER 750 V MEETING RULES 230C2 OR 230C3; OPEN SUPPLY CONDUCTORS OF 0 TO 750 V UNGROUNDING DEVICES EXPOSED TO 750 V TO 760 V	OPEN SUPPLY CONDUCTORS OVER 750 V TO 22kV UNGROUNDING DEVICES EXPOSED TO 750 V TO 22kV	OPEN SUPPLY CONDUCTORS ABOVE 22kV (SEE NOTE 2)
	(FT)	(FT)	(FT)	(FT)	
A	18.0	18.0	18.0	18.5	SEE NOTE 2
B	15.5	16.0 (1)	16.5 (1)	18.5	
C	15.5	16.0 (1)	16.5	18.5 (2)	
D	9.5	12.0 (1)	12.5 (1)	14.5	
E	15.5	16.0	16.5	18.5	
F	13.5	14.0	14.5	16.5	

IF THE CLEARANCES REQUIRED BY THE UTILITY ACCOMMODATION GUIDE (DEPARTMENT OF TRANSPORTATION, CITY, COUNTY OR MUNICIPAL AUTHORITY) SHALL COVER MORE CONSERVATIVE.

- NOTES
- (1) WHERE THE HEIGHT OF A RESIDENTIAL BUILDING OR OTHER INSTALLATION DOES NOT PERMIT SERVICE DROPS TO MEET THESE VALUES, THE CLEARANCES MAY BE REDUCED TO THE FOLLOWING (REF. 2007 NESC, TABLE 232-1, NOTE 7(B)):

	B	D
INSULATED SERVICE DROPS 300V OR 125V TO GROUND	12.5	10.5
INSULATED DROP LOOPS OF SERVICE DROPS 300V TO GROUND	10.8	10.8
SERVICE DROPS LESS THAN 150V TO GROUND	12.0	10.0
INSULATED DROP LOOPS OF SERVICE DROPS 150V TO GROUND	12.0	10.0
INSULATED COMMUNICATION SERVICE DROPS	11.5	---

COLUMN "B" APPLIES TO RESIDENTIAL DRIVEWAYS AND COLUMN "D" APPLIES TO SPACES ACCESSIBLE TO PEDESTRIAN TRAFFIC ONLY.

2. THE TRANSMISSION CHANGING DEPARTMENT SHOULD BE CONSULTED FOR CLEARANCE ACCOMMODATIONS INVOLVING VOLTAGES EXCEEDING 22KV TO GROUND
- (2) SEE SPEC 3-13 FOR CLEARANCE REQUIREMENTS IN GROUPS

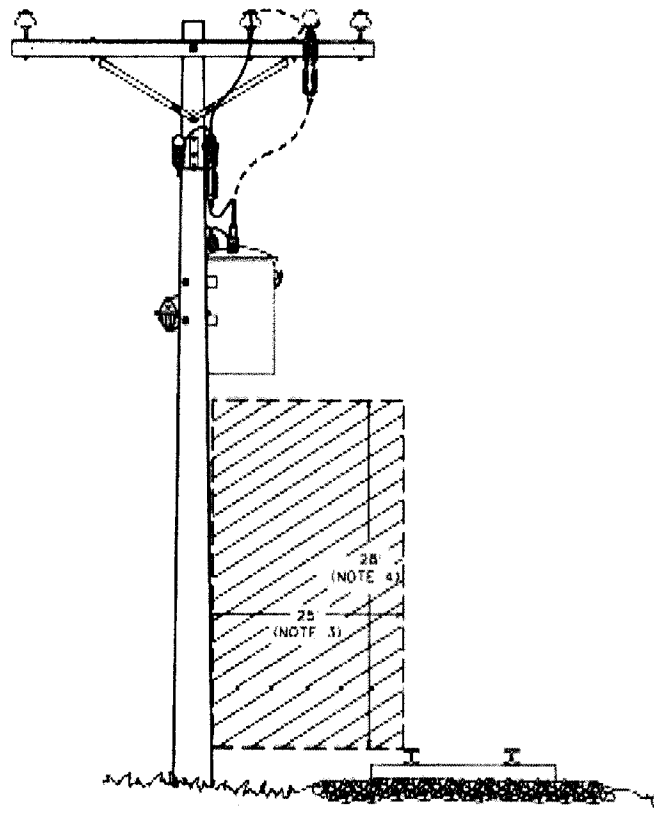
REF. 2012 NESC 232

NO.	CHG	DATE	REVISION
7	TOP	7-10-12	REVISED TO SHOW FOOT ACCOMMODATION MANUAL 2010
6	TOP	3-15-11	REVISED TO MEET 2012 NESC CODE
5	TOP	9-15-11	PROPOSED SEE NESC TIA WAS REJECTED
4	TOP	5-18-11	DELETE NOTE 1 & TABLE AND CLARITY TO DIAGRAM

—4 DENOTES LATEST REVISION

MOE STP'S DATE 7-10-12 SUPERSEDES 3-4/3-15-12	VERTICAL CLEARANCE OVER AND ADJACENT TO ROADS, DRIVEWAYS AND OTHER LAND AREAS
3-4	TAMPA ELECTRIC CO. STANDARDS GENERAL RULES & SPECIFICATIONS

REFERENCES
 CR & S
 STD 3-21



- NOTES:
1. CROSSING REQUIREMENTS OF RAILROADS IN OUR SERVICE AREA EXCEED AND SHALL TAKE PRECEDENT OVER NESC CODE REQUIREMENTS. CROSSING PERMITS AND APPROVAL MUST BE OBTAINED FROM THE RAILROAD INVOLVED. CONTACT PERMITS SECTION. SEE STANDARD 3-21.
 2. THE TRANSMISSION ENGINEERING DEPARTMENT SHOULD BE CONSULTED FOR CLEARANCE CONSIDERATIONS INVOLVING VOLTAGES EXCEEDING 15kV TO GROUND.
 3. WHEN INSIDE CSX'S RIGHT OF WAY A MINIMUM 25' HORIZONTAL CLEARANCE IS REQUIRED TO SUPPORTING STRUCTURES, SUPPORT ARMS, ANCHOR GUYS AND ATTACHED EQUIPMENT LESS THAN 25' ABOVE THE NEAREST TRACK. REFERENCE CSX TRANSPORTATION DESIGN & CONSTRUCTION STANDARD SPECIFICATION, PLATE X REVISED 8/18/03. WHEN OUTSIDE CSX'S RIGHT OF WAY, 2012 NESC 231C MINIMUM HORIZONTAL CLEARANCE IS 12'.
 4. WHEN INSIDE CSX'S RIGHT OF WAY A MINIMUM 28' VERTICAL CLEARANCE IS REQUIRED FROM THE LOWEST TEC WIRE, CONDUCTOR OR ALL CABLES (SUPPLY OR COMMUNICATIONS). WHEN OUTSIDE CSX'S RIGHT OF WAY, 2012 NESC 231C MINIMUM VERTICAL CLEARANCE IS 22'.

6			
7	TOB	3-15-12	REVISED TO MEET 2012 NESC CODE, REV. NOTES 3 & 4
8	TOB	8-19-11	REVISED NOTES 3 & 4
9	CRW	3-19-09	CHANGE OUT SMALL BRACES TO LARGE BRACES
NO.	CHK'D	DATE	REVISION

— DENOTES LATEST REVISION

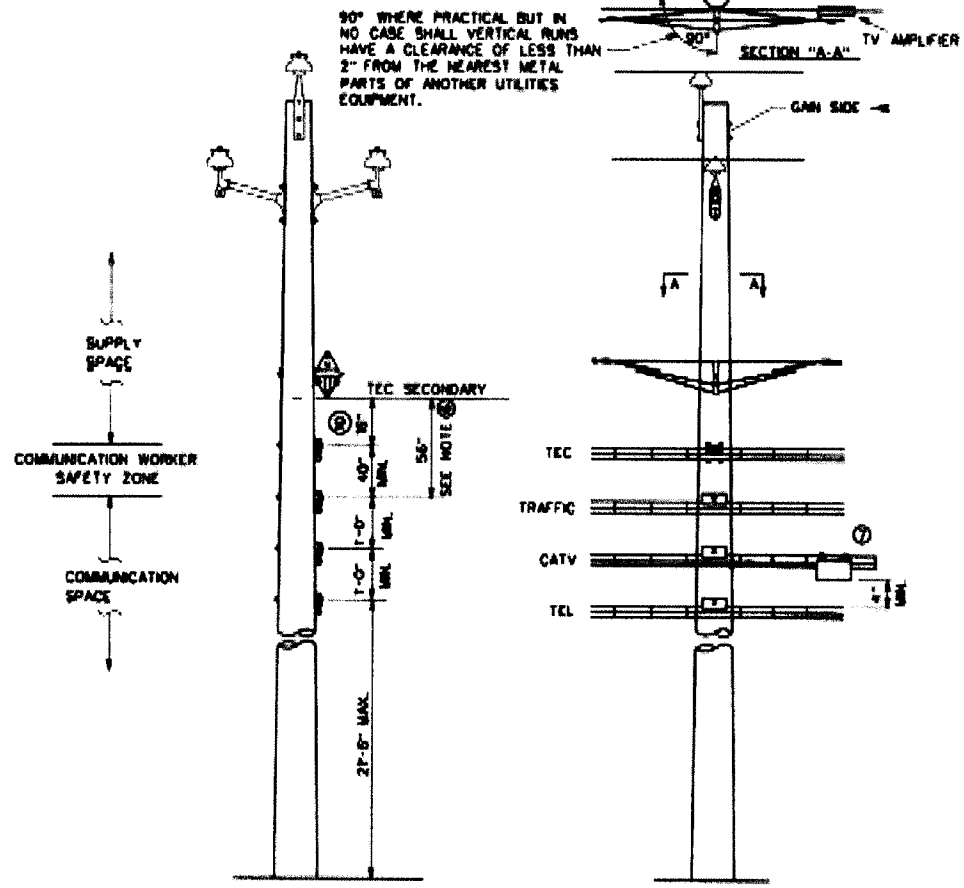
VERTICAL AND HORIZONTAL CLEARANCES FROM RAILROAD TRACKS

NCR 8784
 APPR DATE 3-15-12
 SUPERSEDES 3-5/3-19-11

REFERENCES
 CASE
 SEC. 8

NOTES:

1. CABLE CLEARANCE MEASUREMENTS SHALL BE TAKEN FROM THE HIGHEST COMMUNICATION CABLE TO THE LOWEST CABLE/CONDUCTOR IN THE SUPPLY SPACE. GROUND CLEARANCE MEASUREMENTS SHALL BE TAKEN FROM THE LOWEST CABLE TO GROUND.
2. THE CATV CABLE ELEVATION MAY BE LOWER WHEN APPROVED BY THE TELEPHONE COMPANY.
3. ELEVATIONS MAY BE LOWERED IF CODE CLEARANCE PERMITS AND UPON THE MUTUAL AGREEMENT OF ALL CABLE OWNERS.
4. ALL COMMUNICATION VERTICAL RUNS OF ALL TYPES SHALL BE PROTECTED AS PER NESC.
5. REFER TO 2012 NESC 236 C (2) (b) (1) (a) FOR SAC RELATED CLEARANCES.
6. IF TEC COMMUNICATION CABLE IS NOT PRESENT, THE MINIMUM 40" DIMENSION IS ALLOWED (SEE NOTE 5 FOR DETAILS).
7. ALL CATV EQUIPMENT (SUCH AS AMPLIFIERS, SERVICE DROPS, ETC.) SHALL BE PLACED NO LESS THAN 2'-0" FROM OUTER EDGE OF POLE.
8. ALL GROUNDING AND OVERCURRENT PROTECTION SHALL BE PER APPLICABLE CODES.
9. TEC COMMUNICATIONS CABLE, CATV CABLE, TEL CABLE, AND TRAFFIC CONTROL CABLE, SHALL BE MOUNTED ON THE SAME SIDE OF POLE AS TEC SECONDARY.
10. WHEN THE CONDUCTOR DIRECTLY ABOVE A COMMUNICATION WIRE IN THE SUPPLY SPACE IS A NEUTRAL (NEUTRAL ONLY), THEN THE CLEARANCE MAY BE REDUCED WITH APPROVAL FROM DISTRIBUTION SERVICES. THE COMMUNICATION CABLE SHALL BE SUPPORTED BY AN EFFECTIVELY GROUNDED MESSENGER OR BE AN ENTIRELY DIELECTRIC FIBER OPTIC CABLE.



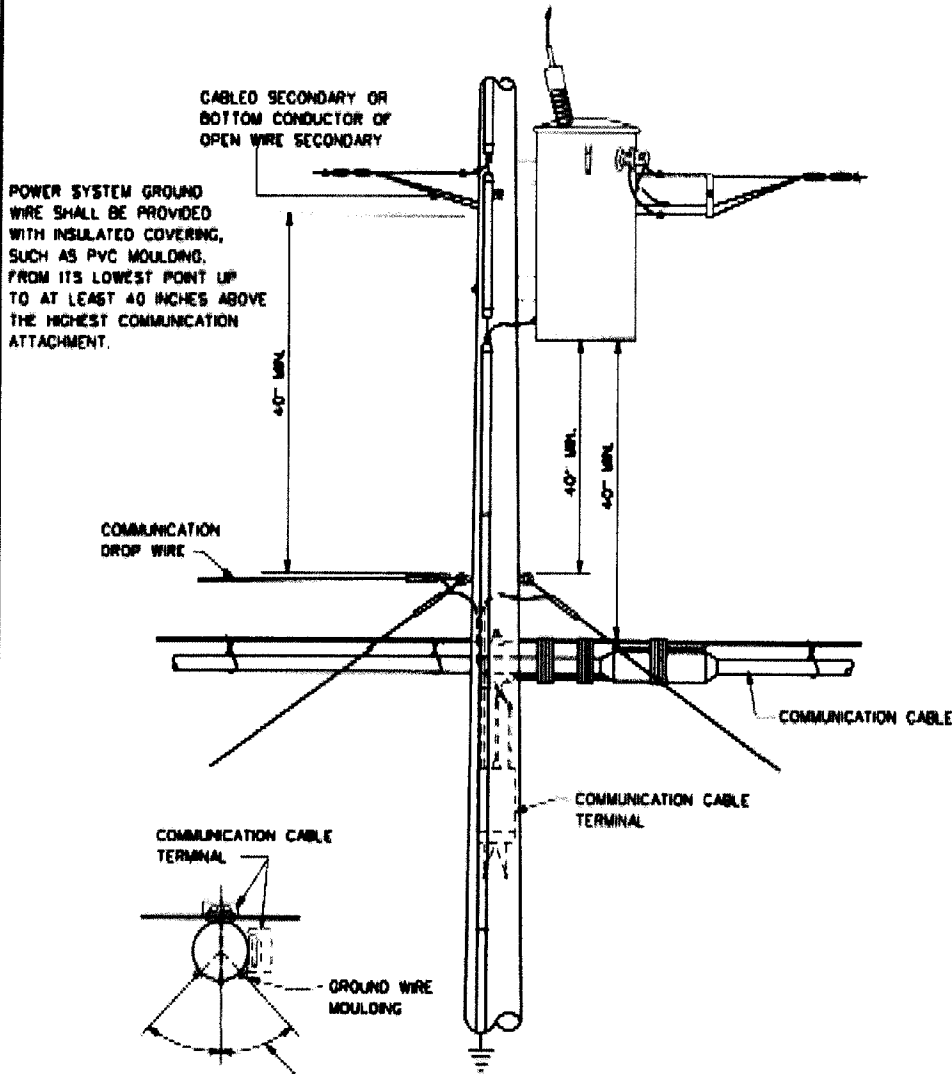
REF. 2012 NESC 236
 DENOTES LATEST REVISION

1	1/01	3-15-12	REVISED TO MEET 2002 NESC CODE, NOTE 5
2	01	3-17-11	ADDED GAIN DIRECTION
3	1/01	1-17-07	CHANGED NESC DATE REV. NOTES 6 & 8
4	NEW	4-20-05	REVISED TO MEET 2002 NESC
NO.	CHD	DATE	REVISION

CLEARANCE FOR JOINT CONSTRUCTION

TAMPA ELECTRIC CO. STANDARDS GENERAL RULES & SPECIFICATIONS 3-31

NO. 2000
 APPR DATE 3-15-12
 SUPERSEDES 3-31/3-17-11



POWER SYSTEM GROUND WIRE SHALL BE PROVIDED WITH INSULATED COVERING, SUCH AS PVC MOLDING, FROM ITS LOWEST POINT UP TO AT LEAST 40 INCHES ABOVE THE HIGHEST COMMUNICATION ATTACHMENT.

45° WHERE PRACTICAL BUT IN NO CASE SHALL VERTICAL RUNS HAVE A CLEARANCE OF LESS THAN 2 INCHES FROM THE NEAREST METAL PART OF THE EQUIPMENT OF ANOTHER UTILITY

REF. 2012 NESC 93.238 & 239

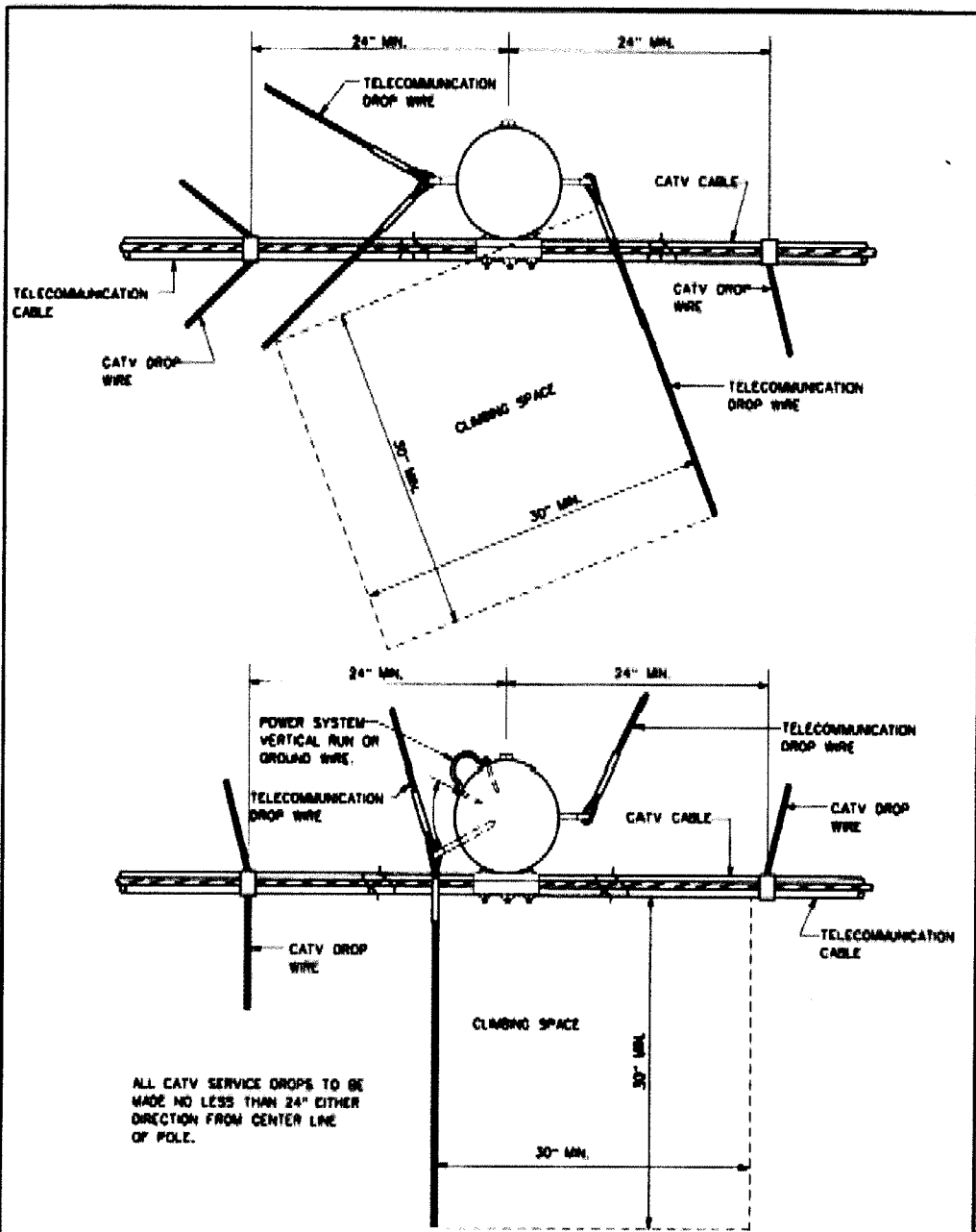
← DENOTES LATEST REVISION

NO.	DATE	BY	REVISION

TAMP
 NCS 100-4
 APPE DATE 3-15-12
 APPROVED 3-22/5-17-07
3-32

CLEARANCE FOR JOINT CONSTRUCTION TRANSFORMER POLE

TAMPA ELECTRIC CO. STANDARDS GENERAL RULES & SPECIFICATIONS



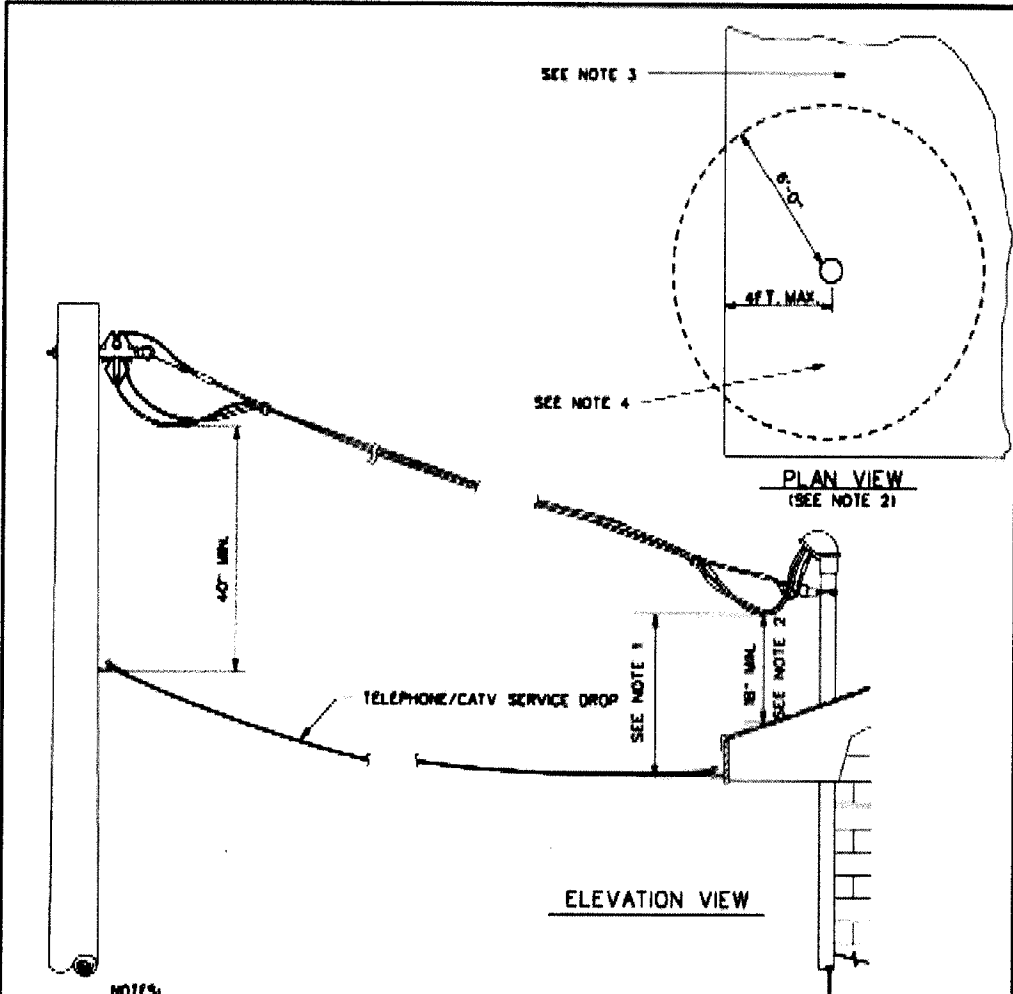
REF. 3019 MESC 236

← DENOTES LATEST REVISION

NO.	DATE	REVISION
1	3-13-12	ADDED TO MAIN SPECIFICATION
2	11-25-17	REVISED TO REFLECT 2017 MESC 236

CLIMBING SPACE THROUGH TELEPHONE AND CATV DROP WIRES

DATE: 3-13-12
 APPR: 0216
 SUPERVISOR: 11/25-17-07



- NOTES:**
- 1. SUPPLY SERVICE DROPS OF 0 TO 750 VOLTS, RUNNING ABOVE AND PARALLEL TO COMMUNICATION SERVICE DROPS, MAY HAVE A CLEARANCE OF NOT LESS THAN 12 INCHES AT ANY POINT IN THE SPAN THIS INCLUDES THE POINT OF ATTACHMENT TO THE BUILDING OR STRUCTURE BEING SERVED, PROVIDED THAT THE NON-CIRCUMFERED CONDUCTORS ARE INSULATED AND THAT THE CLEARANCE, AS OTHERWISE REQUIRED BY RULE 234C3 (2012 NESC), IS MAINTAINED BETWEEN THE TWO SERVICE DROPS AT THE POLE.
 - 2. REF. 2012 NESC FIG. 234-2 (RULE 234C3(d), 2012 NESC).
 - 3. MAINTAIN NOT LESS THAN 3'-0" VERTICAL CLEARANCE ABOVE ROOF OUTSIDE 6'-0" RADIUS FROM THE SERVICE MAST (RULE 234C3(d), 2012 NESC).
 - 4. MAINTAIN NOT LESS THAN 18" VERTICAL CLEARANCE ABOVE ROOF WITHIN 6'-0" RADIUS FROM THE SERVICE MAST.
 - 5. FOR READILY ACCESSIBLE ROOF, SERVICE DROP CONDUCTORS (ATTACHED TO BUILDING), INCLUDING DRIP LOOPS SHALL HAVE A VERTICAL CLEARANCE NOT LESS THAN 10' FROM THE HIGHEST POINT OF ROOFS, BALCONIES, PORCHES OR ATTACHED DECKS OVER WHICH THEY PASS (RULE 234C3(d), 2012 NESC).
 - 6. SUPPLY SERVICE DROPS OF 0 TO 750 VOLTS, INCLUDING DRIP LOOPS SHALL HAVE A MINIMUM OF 3 FT. CLEARANCE IN ANY DIRECTION FROM WINDOWS, DOORS, PORCHES, FIRE ESCAPES OR SIMILAR LOCATIONS.

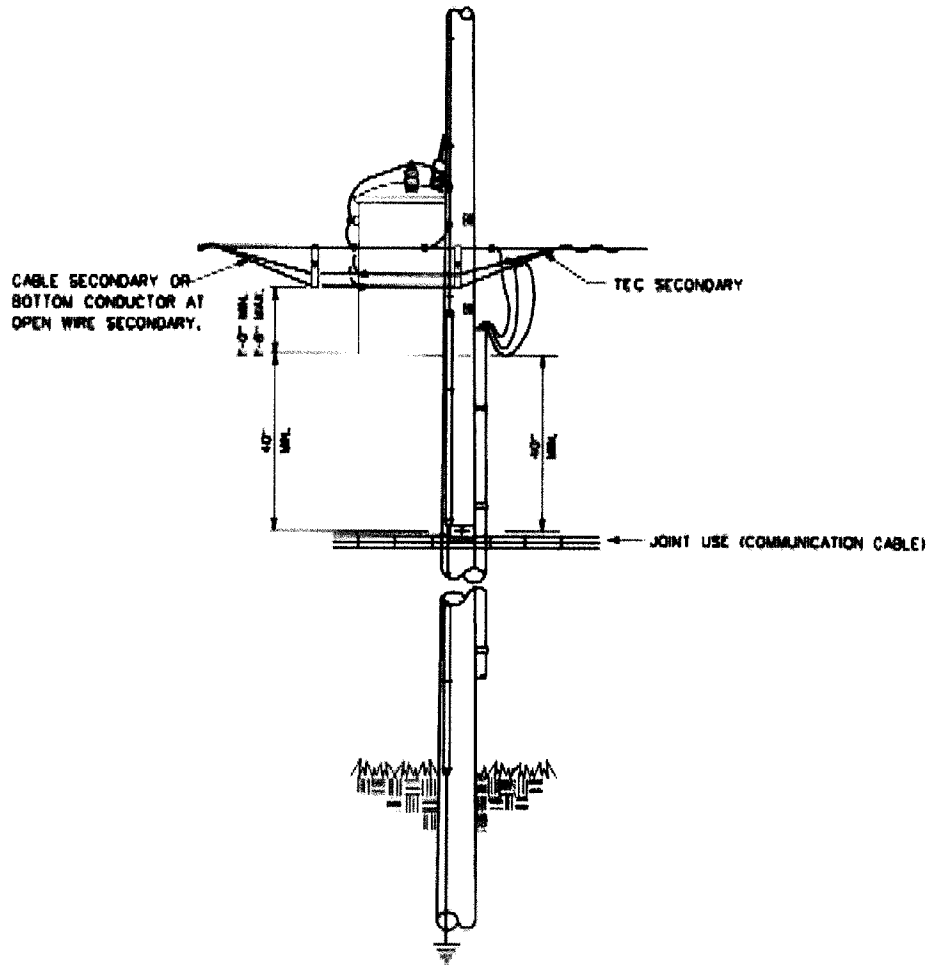
← DENOTES LATEST REVISION

NO.	REV.	DATE	REVISION
1	1	1-15-12	REVISED TO MEET THE NEW CODE & NOTES 1, 2, 3 & 4
1	2	3-31-10	REVISED TO MEET THE NEW CODE & NOTE 5 & 6 & 7 & 8
1	3	3-31-10	REVISED NOTES 1, 2, 3, 4, 5, 6, 7 & 8
1	4	3-31-10	REVISED NOTES 1 & 2 TO MEET CURRENT CODE DATE

3-34 TAMPA ELECTRIC CO.	<h2 style="margin: 0;">CLEARANCES FOR JOINT USE CONSTRUCTION & SUPPLY SERVICES</h2>	STANDARDS GENERAL RULES & SPECIFICATIONS
----------------------------	---	--

NOTE:

1. CABLE CLEARANCE MEASUREMENTS SHALL BE TAKEN FROM THE HIGHEST COMMUNICATION CABLE TO THE LOWEST CABLE/CONDUCTOR IN THE SUPPLY SPACE. GROUND CLEARANCE MEASUREMENTS SHALL BE TAKEN FROM THE LOWEST CABLE TO GROUND.



▶ REF. 2012 NESC 235 & 238

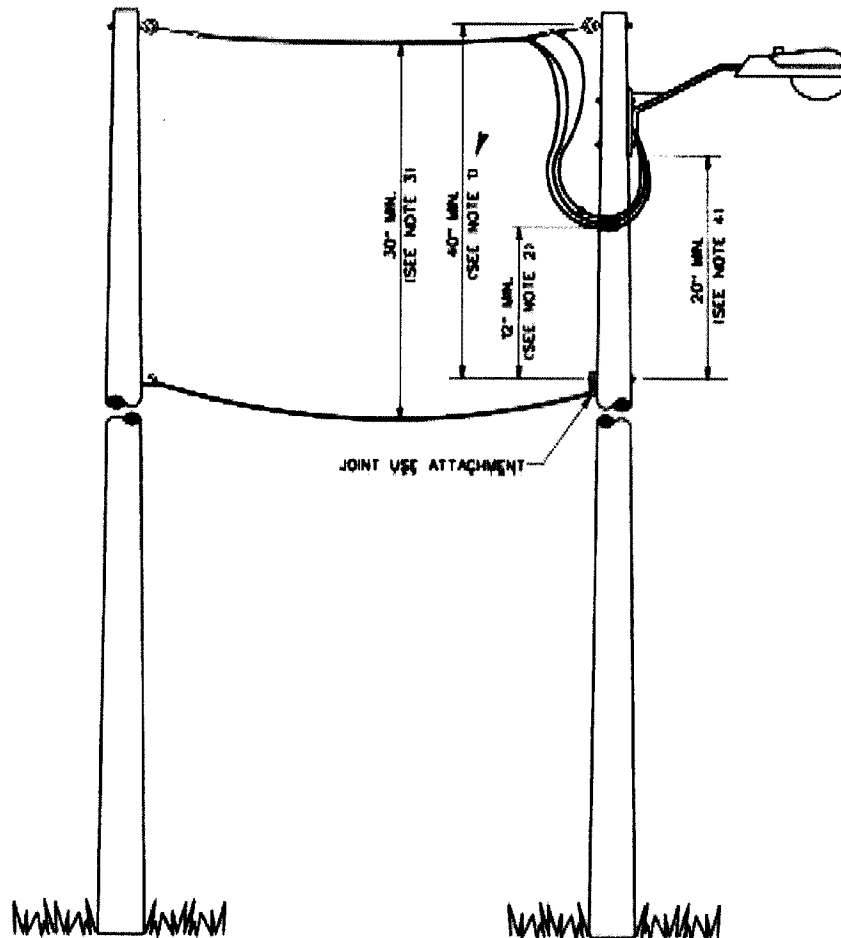
◀ DENOTES LATEST REVISION

1	1/18	P-11-11	REVISED TO MEET THE NEW CODE
2	1/18	P-11-11	UPDATED THE LINK TO THE BODY CODE
3	1/18	P-11-11	REVISED W/11
4	1/18	P-11-11	REVISION

CLEARANCE FROM SERVICE RISER TO JOINT USE ATTACHMENT		NCS STD# APPR DATE 3-10-12 SUPERSEDES 3-30/7-28-07
TAMPA ELECTRIC CO.	STANDARDS	3-35
GENERAL RULES & SPECIFICATIONS		

NOTES:

1. THE SERVICE TO A LIGHT REQUIRES A 40" CLEARANCE TO THE TELECOMMUNICATION CABLES AT SUPPORT. (NESC TABLE 235-5)
2. THE DRIP LOOP REQUIRES A 12" CLEARANCE TO THE JOINT USE ATTACHMENT, UNLESS THE SERVICE IS IN A CONDUIT THAT EXTENDS AT LEAST 2" BEYOND THE LOOP, THEN THE 12" CAN BE REDUCED TO 3". (NESC 238D)
3. A MINIMUM 30" CLEARANCE BETWEEN THE LOWEST POINT OF THE SAG OF THE SERVICE AND THE HIGHEST TELECOMMUNICATION CABLE BELOW IS REQUIRED. (NESC TABLE 235-6)
4. A MINIMUM 20" CLEARANCE BETWEEN THE LIGHT BRACKET TO THE MESSENGER CARRYING THE TELECOMMUNICATION CABLES IS REQUIRED. (NESC TABLE 238-2)



REF. 2012 NESC 238C, 238D AND 235C

—A DENOTES LATEST REVISION

NO.	DATE	REVISION
4	1-8-12	REVISED TO MEET 2012 NESC CODE & ALL NOTES
3	7-22-10	CRASH OUT DROP LEGS TO LIGHT
2	7-18-07	UPDATED NESC TO THE 2007 CODE
1	7-30-05	REVISED GRAPHIC NOTES 2, 3, 4, AND DIMENSIONS

FOR STUDY
 APPROVED 3-15-12
 SUPERSEDED 3-36/7-22-10

CLEARANCE FROM LIGHTS TO JOINT USE ATTACHMENT

3-36

TAMPA ELECTRIC CO.

STANDARDS

GENERAL RULES & SPECIFICATIONS

Attachment B

Authorized Representatives:

Tampa Electric Company
Rob Jennings
Manager, Project Management and Construction Services
P.O. Box 111
Tampa, Fl., 33601
Phone- 813-777-8198

Tampa Electric Company
Eric O'Brien
Supervisor of Construction Services
P.O. Box 111
Tampa, Fl., 33601
Phone- 813-416-1936





TAMPA ELECTRIC COMPANY

DATE _____

Licensee Company Name _____
 Permit Address (street name and number) _____
 Permit Number (licensee's unique permit ID) _____
 Total # of Poles _____

TECO tracking # _____
 Job Order # _____
 Date permit received: _____

In accordance with the terms and conditions of the Attachment Agreement between us, dated (date of executed attachment agreement) application is hereby made for a permit to make attachments and to modify agreement by this Exhibit "A" to Tampa Electric Company poles.

52

Licensee Pole ID Reference # on map	POLE NUMBER (gln or asset tag)	POLE LOCATION (address)	POWER (check if applicable)		Existing ATTACHMENTS (top of pole to bottom)			Licensee Attachment action: N/O/R/S
			Transmission pole	Distribution pole	Co. "A" (name)	Co. "B" (name)	Co. "C" (name)	
(ID to correlate poles on map)	(10 digit GLN preferred if none, then note the 6 digit asset tag #)	(as specific as possible)						(N=New) (O=Overlast) (R=Rebuild) (S=Service)
Cable type:	() Coaxial	() Fiber Optic	Specs:	Cable Size: _____	Cable Wt: _____	Msgr Size		
LICENSEE INFORMATION:						TAMPA ELECTRIC USE ONLY:		
Permit Submitted by:	_____					Date Permit Approved: _____		
Phone:	_____					Approved by: (Signature): _____		
fax:	_____					Print name: _____		
Address:	_____					Title: _____		

Attachment C