



Is proud to present the
-chargepoint+ CT4000
Family of Chargers



Novacharge™ Presents the CT4000

The Newest Addition to our -chargepoint™ Charging Station Family

The CT4000 is the latest generation of ChargePoint® charging stations. Refined, yet rugged, the CT4000 family sets the industry standard for functionality and aesthetics. A robust cord retraction system comes standard on all CT4000 models to eliminate unsightly cords on the ground, and to keep your drivers from having to touch charging cables.

The CT4000 full motion color LCD display instructs drivers while supporting dynamic updates of custom branded videos and advertisements.

The intelligent power sharing feature of the CT4000 doubles the number of parking spaces served by allowing two charging ports to share a single circuit. Sites with single port EV stations can upgrade to dual port stations without requiring additional electrical services.

All CT4000 models offer one or two standard SAE J1772™ Level 2 charging ports with locking holsters, each port supplying up to 7.2kW.

Available in bollard and wall mount configurations, the CT4000 supports easy installation anywhere. To future proof your investment, all stations are fully software upgradeable over the air.

Driver interaction is supported in any weather by five rugged, back-lit buttons with audio feedback.

Energy Measurement and Management

- ▶ Real-time energy measurement
- ▶ 15 minute interval recording
- ▶ Time of day (TOD) pricing
- ▶ Load shed by % of running average or to fixed power output

Power Sharing³ (patent pending)

- ▶ Share one 40A 208/240 circuit between two parking spaces
- ▶ Single vehicle charges at full 6.2/7.2kW (30A @ 208/240V) and two vehicles simultaneously charge at 3.3/3.8kW (16A @ 208/240V) each



Corporate Branding and Video Messaging

The 5.7" LCD display provides full motion charging instructions in a clear and simple format. It also allows station owners to deliver customized advertising messaging.

- ▶ The standard EV Charging Only sign is easily replaceable with your branding.
- ▶ The cap of the CT4000 family is also available for custom branding.

LCD Display Allows for Customizable Video

- ▶ Daylight readable, with auto brightness control
- ▶ 640x480 resolution active matrix
- ▶ Full motion 30fps video support
- ▶ Download up to 60 seconds of full-motion, full-color video to any arbitrary group of stations as often as you like¹.
- ▶ Brand your charging stations and communicate with drivers
- ▶ Multiple language support allows drivers to select English, French or Spanish

Hassle-Free Cord Management

- ▶ Keep charging cords off the ground and out of drivers hands
- ▶ Ultra-reliable second-generation gravity operated mechanism
- ▶ Power Sharing³ (patent pending)

Multi-format RFID Card Reader

- ▶ ISO 15693, ISO 14443 and NFC
- ▶ Accepts ChargePoint cards as well as Visa PayWave, MasterCard PayPass, American Express PayPass, and Discover ZIP contactless credit cards

¹ Sold separately.
² Video service plan required
³ Dual port models only

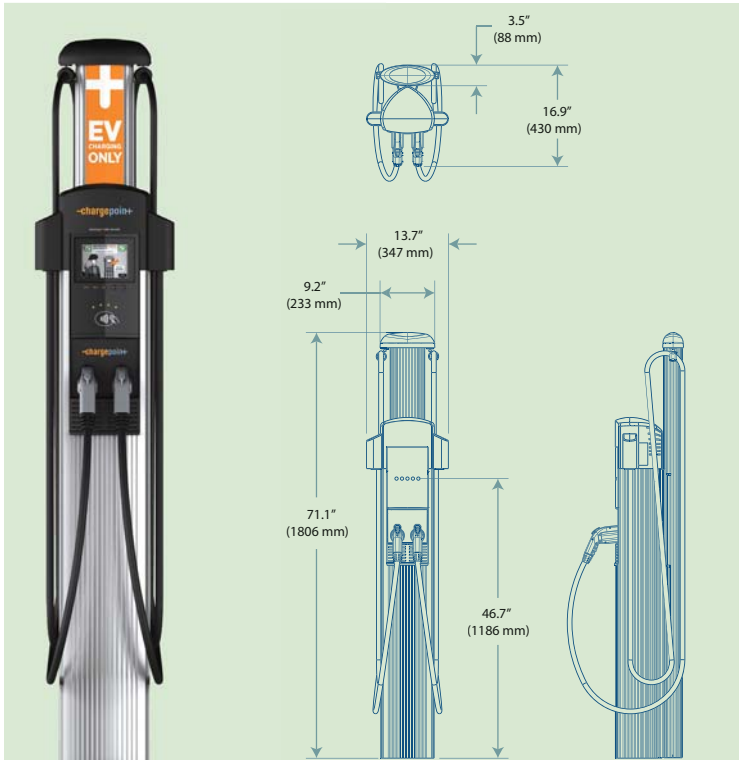
CT4000 Family Specifications

Electrical Input	Single Port	Dual Port
AC Power Input Rating - Standard	208/240VAC 60Hz single phase @ 32A x2	208/240VAC 60Hz single phase @ 32A x2
AC Power Input Rating - Power Sharing	n/a	208/240 VAC 60Hz single phase @ 32A
Input Power Connectors - Standard	One 40A branch circuit	Two independent 40A branch circuits
Input Power Connectors - Power Sharing	n/a	One 40A branch circuit
Required Service Panel Breaker - Standard	40A dual pole (non-GFCI type) x2	40A dual pole (non-GFCI type) x2
Required Service Panel Breaker - Power Sharing	n/a	40A dual pole (non-GFCI type)
Service Panel GFCI	Do not provide external GFCI as it may conflict with internal GFCI (CCID)	Do not provide external GFCI as it may conflict with internal GFCI (CCID)
Wiring - Standard	3-wire (L1, L2, Earth)	5-wire (L1, L1, L2, L2, Earth)
Wiring - Power Sharing	n/a	3-wire (L1, L2, Earth)
Standby Power	15W typical (standby), 20W maximum (operation)	15W typical (standby), 20W maximum (operation)
Electrical Output		
AC - Standard	7.2kW (240VAC @ 30A)	7.2kW (240VAC @ 30A) x2
AC - Power Sharing	n/a	7.2kW (240VAC @ 30A) x1 OR 3.8kW (240VAC @ 16A) x2
Functional Interfaces		
Connector(s) Type	SAE J1772™	SAE J1772™ x2
Charging Cable Length	18' (5.5 meters)	18' (5.5 meters) x2
Wired Cable Management System	Yes	Yes
Card Reader	ISO 15693, 14443, NFC	Yes
Locking Holster	Yes	Yes x2
Safety and Connectivity Features		
Ground Fault Detection	20mA CCID with auto retry	20mA CCID with auto retry
Open Safety Ground Detection	Continuously monitors presence of safety (green wire) ground connection	Continuously monitors presence of safety (green wire) ground connection
Plug-Out Detection	Power terminated per SAE J1772™ specifications	Power terminated per SAE J1772™ specifications
Power Measurement Accuracy	+/- 2% from 2% to full scale (32A)	+/- 2% from 2% to full scale (32A)
Power Report/Store Interval	15 minutes, aligned to hour	15 minutes, aligned to hour
Local Area Network	2.4 GHz Wi-Fi (802.11 b/g/n)	2.4 GHz Wi-Fi (802.11 b/g/n)
Wide Area Network	3G GSM, 3G CDMA	3G GSM, 3G CDMA
Safety and Operational Ratings		
Enclosure Rating	Type 3R per UL 50E	Type 3R per UL 50E
Safety Compliance	UL listed for USA and cUL certified for Canada. Complies with UL 2594, UL 2231-1, UL 2231-2, and NEC Article 625	UL listed for USA and cUL certified for Canada. Complies with UL 2594, UL 2231-1, UL 2231-2, and NEC Article 625
Surge Protection	6kV @ 3000A. In geographic areas subject to frequent thunder storms, supplemental surge protection at the service panel is recommended.	6kV @ 3000A. In geographic areas subject to frequent thunder storms, supplemental surge protection at the service panel is recommended.
EMC Compliance	FCC Part 15 Class A	FCC Part 15 Class A
Operating Temperature	-22°F to 122°F (30°C to +50°C)	-22°F to 122°F (30°C to +50°C)
Operating Humidity	up to 85% @ +50°C (122°F) non-condensing	up to 85% @ +50°C (122°F) non-condensing
Non-operating Humidity	up to 95% @ +50°C (122°F) non-condensing	up to 95% @ +50°C (122°F) non-condensing
Terminal Block Temperature Rating	221°F (105°C)	221°F (105°C)
Maximum Charging Stations per 800.11 Radio Group	10. Each station must be located within 150 feet "line of sight" of a gateway station.	10. Each station must be located within 150 feet "line of sight" of a gateway station.

ChargePoint, Inc. reserves the right to alter product offerings and specifications without notice. We are not responsible for typographical or graphical errors that may appear in this document.

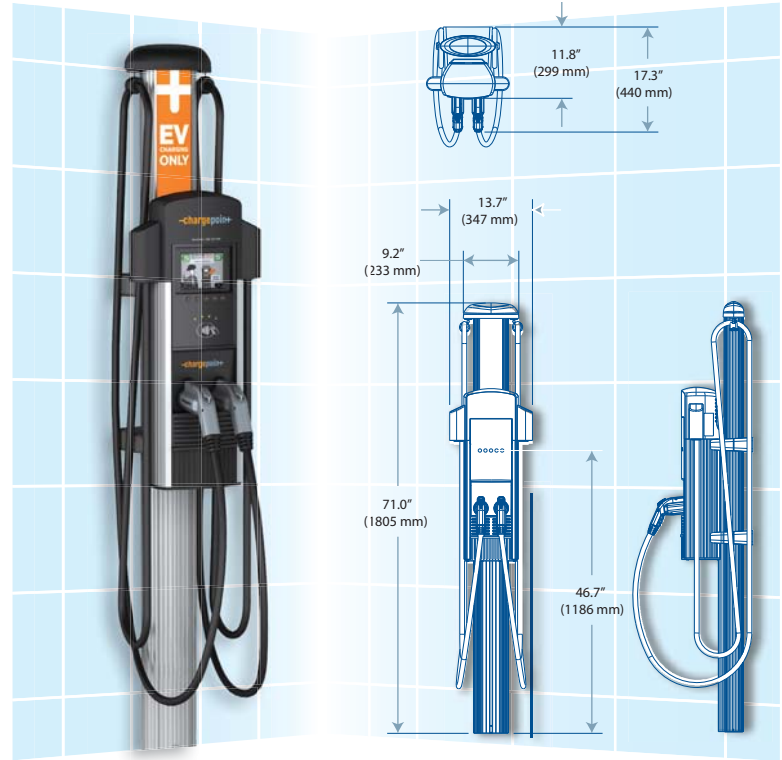
CT4021

Bollard Charging Station



CT4023

Wall Mount Charging Station



Ordering Information

Specify model number followed by the applicable code(s). The order code sequence is:

Model-Options-Warranty

Option		Order Code
Model	Single Port Bollard Mount Dual Port Bollard Mount Single Port Wall Mount Dual Port Wall Mount	CT4011 CT4021 CT4013 CT4023
Options	Integral Gateway Modem - USA Integral Gateway Modem - Canada	-GW1 -GW2
Warranty	Parts Only Extended Warranty – 2, 3, 4, or 5 year	CT4000-EWn*

* Substitute n for the duration of the warranty (2, 3, 4, or 5 year)

Order Code Examples

If ordering this:	The order code is:
Dual Port Bollard Mount USA Gateway Station	CT4021-GW1
Single Port Wall Mount Station with 5 Year Warranty	CT4013 CT4000-EW5
Dual Port Wall Mount Canada Gateway Station with 2 Year Warranty	CT4023-GW2 CT4000-EW2

For More Information:

Visit www.novacharge.net
 NovaCharge, LLC
 (866) 417-9995

info@novacharge.net



Like us on Facebook @novacharge