

CHECK SHEET

Sheets 1 through 63 inclusive of this price list are effective as of the date shown at the bottom of the respective sheet(s). Original and revised sheets as named below comprise all changes from the original price list and are currently in effect as of the date on the bottom of this sheet.

<u>Page</u>	<u>Number of Revision</u>	<u>Page</u>	<u>Number of Revision</u>
1	1 st Revised	33	1 st Revised
1.1	2 nd Revised	34	1 st Revised
2	Original	35	1 st Revised
3	7 th Revised*	36	1 st Revised
4	3 rd Revised	37	1 st Revised
4.1	Original	38	3 rd Revised
5	1 st Revised	39	3 rd Revised*
6	3 rd Revised	39.1	Original*
7	3 rd Revised	39.2	Original*
7.1	1 st Revised	39.3	Original*
8	2 nd Revised	40	2 nd Revised
9	2 nd Revised	41	1 st Revised
9.1	1 st Revised	42	3 rd Revised
10	2 nd Revised	43	3 rd Revised
11	2 nd Revised	44	4 th Revised
12	3 rd Revised	45	1 st Revised
13	2 nd Revised	46	1 st Revised
13.1	1 st Revised	47	Original
14	3 rd Revised	48	Original
15	1 st Revised	49	Original
16	Original	50	Original
17	1 st Revised	51	1 st Revised
18	1 st Revised	52	Original
19	1 st Revised	53	Original
20	1 st Revised	54	Original
21	Original	55	Original
22	1 st Revised	56	Original
23	Original	57	Original
24	Original	58	Original
25	2 nd Revised	59	Original
26	2 nd Revised	60	Original
27	1 st Revised	61	Original
28	Original	62	Original
29	2 nd Revised	63	2 nd Revised*
30	Original		
31	1 st Revised		
32	Original		

An asterisk (*) indicates new or revised tariff page

3.1.1.1 Legacy Selective Router Gateways (LSRG's) will provide trunking back to the existing E9-1-1 LEC tandem during the transitional phase. These trunks will allow Call Transfers between the LEC E9-1-1 tandem and the Company's Call routers and vice-versa.

The Company will provide the LSRG and trunks that the Company deems necessary for the handling of E9-1-1 Call Transfer between the Company's Call router and those PSAPs which remain connected to the existing E9-1-1 LEC tandem.

3.1.1.2 The Company will provide Inter-tandem trunks to LEC 9-1-1 Tandems matching the current inter- tandem trunking services provided to the PSAP.

Additional Inter-tandem trunks to other E9-1-1 tandems are chargeable (refer to section 3.1.3.6).

3.1.2 ESInet (Egress)

The Company will terminate its IP transport to 1) the Legacy PSAP Gateway where the PSAP 9-1-1 analog trunks terminate or when the Company is to connect to an IP enabled Call Handling System, the Company will terminate its IP transport, 2) to the IP router serving the IP enabled Call Handling System. Legacy PSAP Gateways are offered separately via ICB arrangements.

3.1.2.1 The Company will provide IP Transport from Data Center to the PSAP's Call Handling System Host or Gateway.

The IP network connects the Data Center to the Call Handling System Host.

Since there are several configurations for Call Handling System Host equipment the company provides several different configurations to provide the IP network connections.

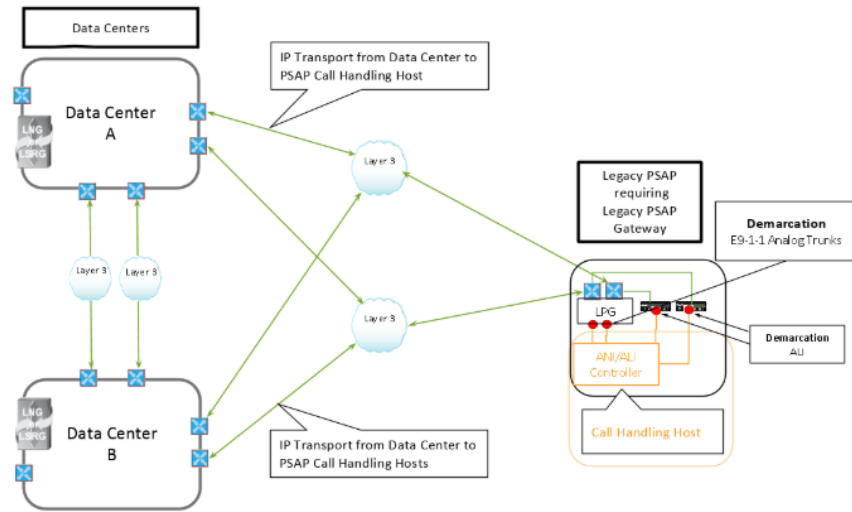
Host configurations provided for are:

- Legacy Call Handing System Host (single site Host, not IP enabled)
- IP enabled Call Handling System Host (single site)
- Geo-diverse Call Handing System Host (Geo-diverse [2] Host sites, IP enabled)
- NENA i3 Call Handing System Host (single Host site, i3 compliant)
- Geo-diverse NENA i3 Call Handing System Host (Geo-diverse [2] Host sites i3 compliant)

(N)
|
(N)
|
(M)
|
(M)

Information previously found on this page has moved to Page 39.1

**Egress Network
ESInet
Data Centers to Legacy
PSAP (not IP enabled)**



LEGEND / NOTES:

Egress ESInet: Redundant Layer 3 IP transport
 Call Handling System Equipment and network
 Point of Demarcation of Company Service
 IP protocol Router

Vesta Provided (indicated by a double-headed arrow and a blue square icon)

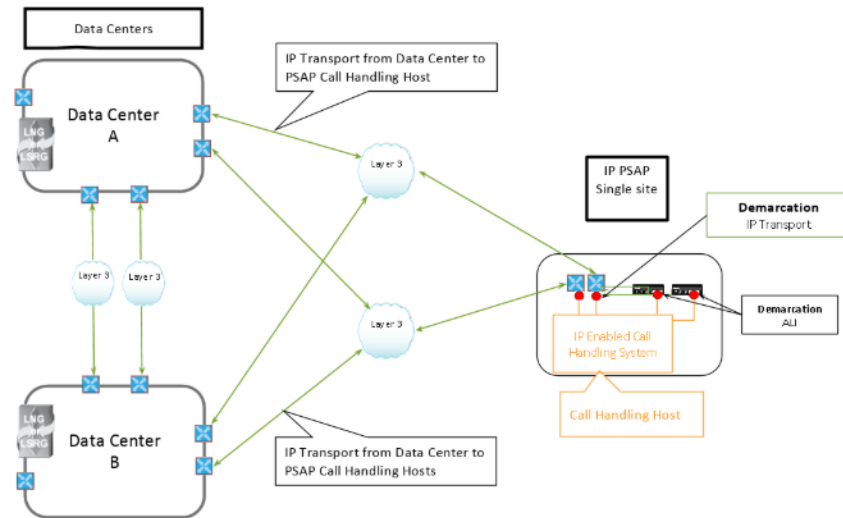
Call Handling System (not included) (indicated by a red dot icon)

Equipment and Network

(C)(M)

(C)(M)

**Egress Network
ESInet
Data Centers to single site
IP enabled PSAP**



LEGEND / NOTES:

Egress ESInet: Redundant Layer 3 IP transport
 Call Handling System Equipment and network
 Point of Demarcation of Company Service
 IP protocol Router

Vesta Provided (indicated by a double-headed arrow and a blue square icon)

Call Handling System (not included) (indicated by a red dot icon)

Equipment and Network

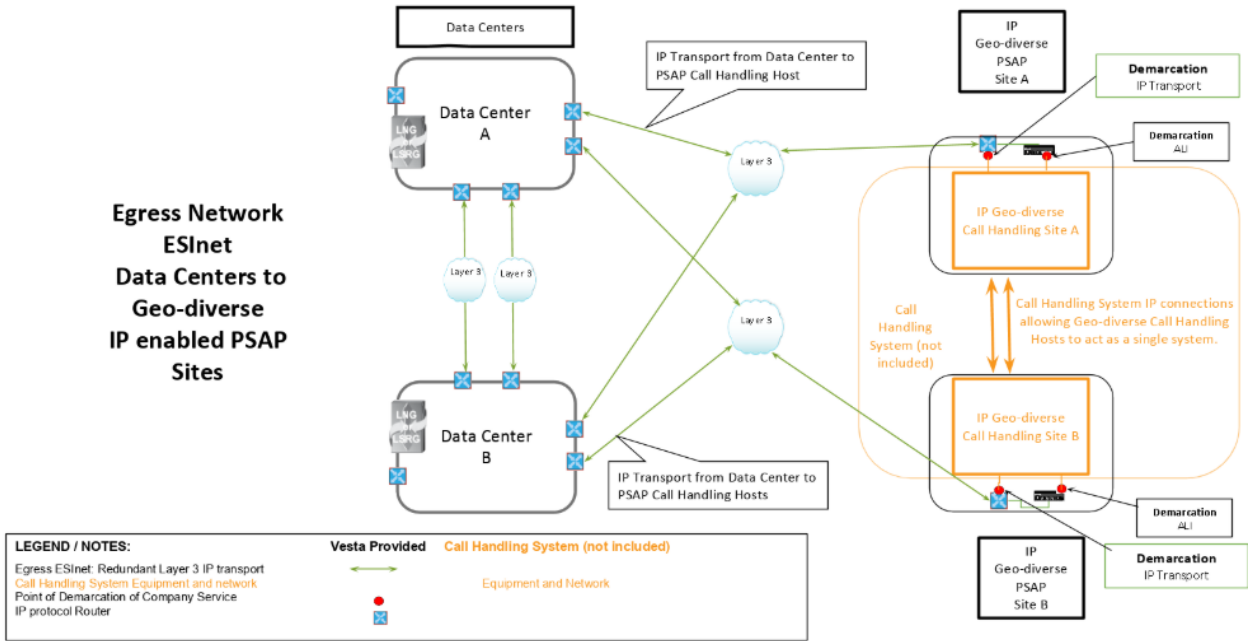
(N)

(N)

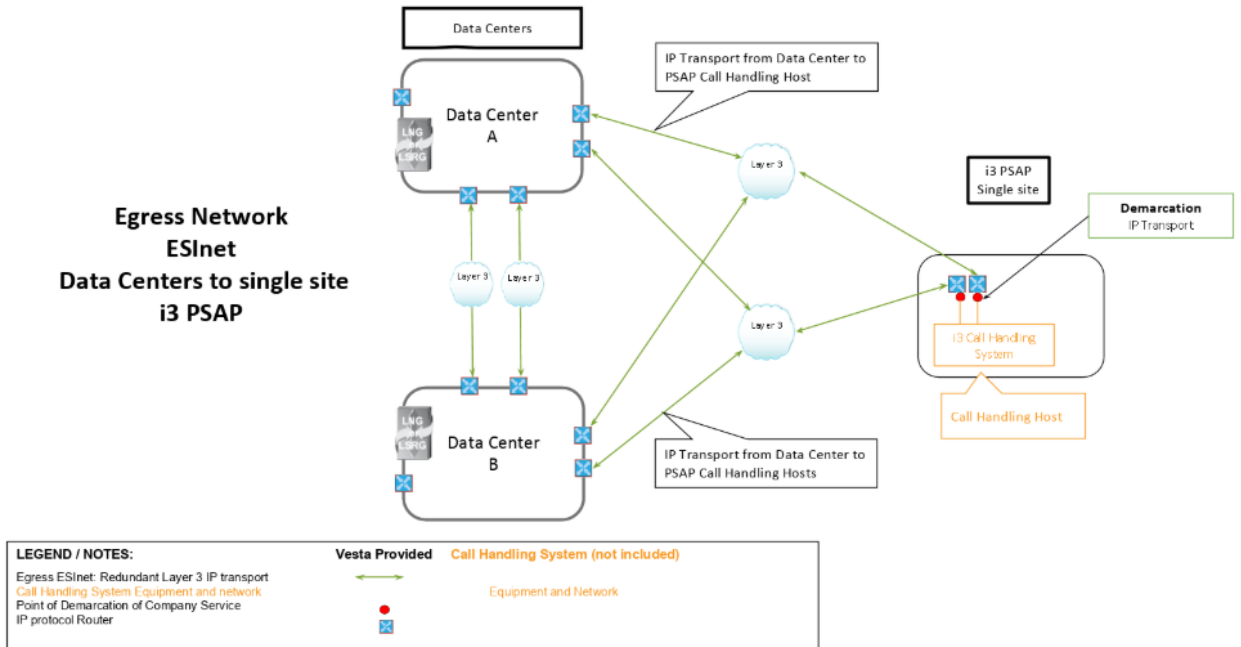
Information on this page was previously found on Page 39

(N)

**Egress Network
ESInet
Data Centers to
Geo-diverse
IP enabled PSAP
Sites**

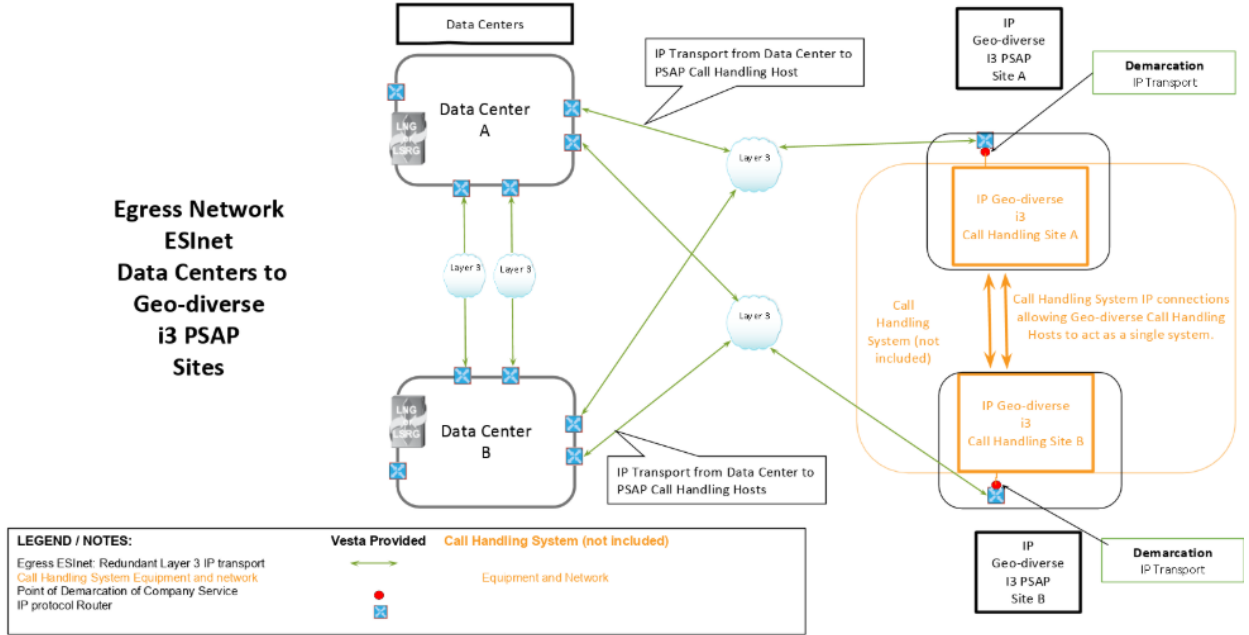


**Egress Network
ESInet
Data Centers to single site
i3 PSAP**



(N)

**Egress Network
ESInet
Data Centers to
Geo-diverse
i3 PSAP
Sites**



(N)

(N)

6.3.9 Rates – Vesta NG9-1-1 Services/Originating Service Providers

(C)

IP Delivery		
	SIP to the POI	
	NRC	MRC
Per IP Port	\$338	\$63

TDM Delivery				
	Meet Point		POI	
	NRC	MRC	NRC	MRC
Per DS1	\$600	\$113	\$450	\$84

The Monthly Recurring Charge (MRC) and Non-Recurring Charge (NRC) apply per DS1 or SIP port. SIP connections terminate at the Company's Point of Interconnection.

(C)