



350 S. Loop 336 W., Conroe, TX 77304 | consolidated.com | NASDAQ: CNSL

FILED 3/1/2019
DOCUMENT NO. 01339-2019
FPSC - COMMISSION CLERK

March 1, 2019

Office of the Commission Clerk
Florida Public Service Commission
2540 Shumard Oak Boulevard
Tallahassee, FL 32399

RE: Docket No. 20190028-TL - Request for approval of name change on ILEC Certificate No. 29 from GTC, Inc. to Consolidated Communications of Florida Company

Dear Commission:

In Docket No. 20190028-TL, GTC, Inc. requested approval of a name change on Certificate No. 29 to Consolidated Communications of Florida Company. This name change was filed with the Florida Department of State, Division of Corporations. The name change does not involve a transfer of certificate and the docket has been closed.

This filing is to submit a new access tariff, FL Access Tariff No. 1, for Consolidated Communications of Florida Company d/b/a Consolidated Communications/GTC. This tariff cancels and replaces in its entirety, the FL Access Tariff No. 1, issued by GTC, Inc. d/b/a Consolidated Communications/GTC. This replacement document updates references to the company name only.

Please contact me at the telephone or email address listed below or Beth Westman at beth.westman@consolidated.com with any questions or concerns regarding this filing.

Respectfully submitted,

A handwritten signature in black ink that reads "Robert D. Meehan".

Robert D. Meehan | Director – Government Affairs
770 Elm Street, Manchester, NH 03101
D: 603.656.8116 | C: 603.716.6045
robert.meehan@consolidated.com

This Tariff issued by Consolidated Communications of Florida Company d/b/a Consolidated Communications /GTC, cancels and replaces in its entirety, the FL Access Tariff No. 1, issued by GTC, Inc. d/b/a Consolidated Communications/GTC. This replacement document updates references to the company name only.

Florida
Access Services Tariff
Of
Consolidated Communications of Florida Company d/b/a Consolidated Communications/GTC

This Tariff includes the rates, charges, and descriptions of intrastate Access Services offered by Consolidated Communications of Florida Company d/b/a Consolidated Communications/GTC, with principal offices at 121 S. 17th Street, Mattoon, IL 61938. This tariff applies to services furnished within the Florala, Perry and Port St. Joe areas within the State of Florida and Chattahoochee, GA. This Tariff is on file with the Florida Public Service Commission and a copy may be found on the Company's website at www.consolidated.com.

TABLE OF CONTENTS

Title Page
Table of Contents
Explanation of Symbols
Reference to Technical Publications
Section 1 - Application of Tariff
Section 2 - General Regulations
Section 3 - Carrier Common Line Access
Section 4 - Carrier Access Capacity
Section 5 - Ordering Options for Access Services
Section 6 - CCFLC SWA Services
Section 7 - Dedicated Access Services
Section 8 - Reserved for Future Use
Section 9 - Reserved for Future Use
Section 10 - LATA Configurations
Section 11 - Special Facilities Routing of Access Services
Section 12 - Specialized Service or Arrangements
Section 13 - Additional Engineering, Additional Labor and Miscellaneous Charges
Section 14 - Special Construction
Section 15 - Reserved for Future Use
Section 16 - Access Service for Local Exchange Companies Completion of IntraLATA –
Intercompany Long Distance MTS and WATS Calls
Section 17 - Reserved for Future Use
Section 18 - Reserved for Future Use
Section 19 - Reserved for Future Use
Section 20 - Reserved for Future Use
Section 21 - Fast Packet Access Service

EXPLANATION OF SYMBOLS

When changes are made to any tariff page, a revised page will be issued canceling the tariff page affected; such changes will be identified through the use of the following symbols:

- (B) - To signify rates established under bond
- (C) - To signify a changed regulation or tariff
- (D) - To signify discontinued rate, regulation or text
- (I) - To signify increase in rate
- (M) - To signify a move from one page to another with no change to text, regulation or tariff
- (N) - To signify new rate and/or new regulation, and/or new text
- (O) - To signify obsoleted rate, regulation or text
- (R) - To signify reduction in rate
- (S) - To signify matter already appearing in another part of the tariff and repeated for clarification
- (T) - To signify a change in text but no change in rate or regulation
- (U) - To signify USOC added or changed only

The preceding symbols will apply except where additional symbols are identified at the bottom of an individual page or at the beginning or end of a section or paragraph.

TRADEMARKS AND SERVICE MARKS

Consolidated Communications of Florida Company (CCFLC) owns the trademarks and service marks shown below. All of the trademarks and service marks shown below may or may not be an offering available in this Tariff.

 REFERENCE TO TECHNICAL PUBLICATIONS

The following technical publications are referenced in this Tariff and may be obtained from Literary Data Center Inc., G.P.O. Box C-9014, Brooklyn, N.Y. 11202.

<u>Technical Reference</u>	<u>Date Issued</u>	<u>Date Available</u>
PUB 41451	January, 1983	May 17, 1983
PUB 62310	September, 1983	October, 1973
TR·NPL·000054	April, 1989	April, 1989
TR-NPL-000334	June, 1986	June, 1986
TR-NPL-000335	June, 1986	June, 1986
TR-NPL-000336	October, 1987	October, 1987
TR·NPL·000337	July, 1987	July, 1987
TR-NPL-000341	March, 1989	April, 1989
TA-TSY-000342	March, 1990	March, 1990
PUB 62501	December, 1983	March 15, 1984
PUB 62501 Addendum	March, 1984	April, 1984
PUB 62502	December, 1983	January, 1984
PUB 62503	December, 1983	March 15, 1984
PUB 62503 Addendum	March, 1984	April, 1984
PUB 62504	December, 1983	March 15, 1984
PUB 62504 Addendum	March, 1984	April, 1984
PUB 62505	December, 1983	January, 1984
PUB 62505 Addendum	March, 1984	April, 1984
PUB 62506	December, 1983	January, 1984
PUB 62507	December, 1983	March 15, 1984
PUB 62508	December, 1983	January, 1984

The following technical publications are referenced in this Tariff and may be obtained by contacting Bell Core at (800) 521-2673.

<u>Technical Reference</u>	<u>Date Issued</u>	<u>Date Available</u>
TR·NWT·OO0020	December, 1992	December, 1992
TR-NWT-000063	September, 1993	September, 1993

REFERENCE TO TECHNICAL PUBLICATIONS (CONT'D)

The following technical publications are referenced in this Tariff and are available from BellSouth Documentation Operations, North W5AI, 3535 Colonnade Parkway, Birmingham, Alabama 35243.

<u>Technical Reference</u>	<u>Date Issued</u>	<u>Date Available</u>
TR-73505	March, 1994	March, 1994

The following technical publications, referenced in this Tariff, may be obtained from the Internet Engineering Task Force (IETF) at Corporation for National Research Initiatives, Attention: Accounting Department - IETF Proceedings, 1895 Preston White Drive, Suite 100, Reston, VA 20191-5434 or via Internet at www.ietf.org.

STD001, Internet Official Protocol Standards, J. Reynolds, R. Braden, Editor, issued June, 1999
RFC 2138, Remote Authentication Dial-In User Service (RADIUS); C. Rigney, A. Rubens, W. Simpson, S. Willens, Issued April, 1997

SECTION 1 - APPLICATION OF TARIFF

TABLE OF CONTENTS

- 1.1 General
- 1.2 Concurring Carriers and Concurrences

SECTION 1 - APPLICATION OF TARIFF (CONT'D)

1.1 General

- A. This Tariff contains regulations, rates and charges applicable to the provision of Carrier Common Line, Carrier Access Capacity, CCFLC SWA, Dedicated Access and other miscellaneous services, hereinafter referred to as service(s), provided by Consolidated Communications of Florida Company d/b/a Consolidated Communications/GTC hereinafter referred to as the Company, to end users, as specified in Sections 2, 4, 6 and 7 following, and to Interexchange Carriers, Resellers and Alternate Operator Service (AOS) providers and, Enhanced Service Providers (as defined in 2.6), Alternative Local Exchange Companies (ALECs) (as defined in 2.6) and 500 Service Providers as defined in 2.6), any other entity authorized to order service out of this Tariff, hereinafter referred to as IC(s) or ALECs. These services are appropriate for customer use in the provision of interLATA and intraLATA communications.
- B. The provision of such services by the Company as set forth in this Tariff does not constitute a joint undertaking with the IC for the furnishing of any service.
- C. The regulations, rates, and charges contained herein are in addition to the applicable regulations, rates, and charges specified in other tariffs of the Company which are referenced herein.

1.2 Concurring Carriers and Concurrences

- A. Concurring Carrier:
None
- B. Concurrences:
The Company concurs in the NECA Tariff FCC No. 5, Section 13.4, for InterLATA Presubscription.

SECTION 2 - GENERAL REGULATIONS**TABLE OF CONTENTS**

2.1	Undertaking of the Company
2.1.1	Scope
2.1.2	Limitations
2.1.3	Liability
2.1.4	Provision of Services
2.1.5	Installation and Termination of Services
2.1.6	Maintenance of Services
2.1.7	Changes and Substitutions
2.1.8	Refusal and Discontinuance of Service
2.1.9	Quotation Charge
2.1.10	Limitation of Use of Metallic Facilities
2.1.11	Notification of Service-Affecting Activities
2.1.12	Coordination with Respect to Network Contingencies
2.1.13	Provision and Ownership of Telephone Numbers
2.2	Use
2.2.1	Interference or Impairment
2.2.2	Unlawful Use
2.2.3	Use by Others
2.3	Obligations of the IC
2.3.1	Damages
2.3.2	Ownership of Facilities and Theft
2.3.3	Equipment Space and Power
2.3.4	Proof of Certification
2.3.5	Availability for Testing
2.3.6	Balance
2.3.7	Design of IC Services
2.3.8	References to the Company
2.3.9	Claims and Demands for Damages
2.3.10	Coordination with Respect to Network Contingencies
2.3.11	Jurisdictional Report Requirements
2.3.12	Determination of Intrastate Charges for Mixed Interstate And Intrastate Access Service
2.3.13	800 Number Reporting
2.3.14	Identification and Rating of VoIP-PSTN Traffic
2.3.15	Utilization of Alternative Access Providers

SECTION 2 - GENERAL REGULATIONS (CONT'D)

TABLE OF CONTENTS (Cont'd)

2.4	Payment Arrangements and Credit Allowance
2.4.1	Payment of Rates, Charges and Deposit
2.4.2	Minimum Periods
2.4.3	Cancellation of an Order for Service
2.4.4	Credit Allowance for Service Interruptions
2.4.5	Provision For Gross Receipts Tax
2.4.6	Re-establishment of Service Following Fire, Flood or Other Occurrence
2.4.7	Title or Ownership Rights
2.4.8	Billing of Access Service Provided By Multiple Companies
2.4.9	Optional Payment Plan
2.4.10	Service Installation Guarantee
2.4.11	Commitment Guarantee Program
2.5	Connections
2.5.1	General
2.6	Definitions
2.7	Special Promotions
2.7.1	Regulations
2.7.2	Descriptions
2.8	Trademarks and Service marks Protection
2.8.1	Use of Trademarks and Service marks

SECTION 2 - GENERAL REGULATIONS (CONT'D)

2.1 Undertaking of the Company

2.1.1 Scope

- A. The Company does not undertake to transmit messages under this Tariff.
- B. The Company shall be responsible only for the installation, operation and maintenance of the service it provides.
- C. The Company will, for maintenance purposes, test its services only to the extent necessary to detect and/or clear troubles.
- D. Services are provided 24 hours daily, seven days per week except as set forth in other applicable sections of this Tariff.
- E. The Company has the authority to disconnect the end user's service for nonpayment of the IC charges billed to the End User by the Company.
- F. The Company does not warrant that its facilities and services meet standards other than those set forth in this Tariff.

SECTION 2 - GENERAL REGULATIONS (CONT'D)**2.1 Undertaking of the Company (Cont'd.)****2.1.2 Limitations**

A. The IC may not assign or transfer the use of services provided under this Tariff, except as provided herein. Where there is no interruption of use or relocation of the services, such assignment or transfer may be made to:

1. Another IC, whether an individual, partnership, association or corporation, provided the assignee or transferee assumes all outstanding indebtedness for such services, and the unexpired portion of the minimum period and the termination liability applicable to such services, if any; or
2. A court appointed receiver, trustee or other person acting pursuant to law in bankruptcy, receivership, reorganization, insolvency, liquidation or other similar proceedings, provided the assignee or transferee assumes the unexpired portion of the minimum period and the termination liability applicable to such services, if any.

In all cases of assignment or transfer, the written acknowledgment of the Company is required prior to such assignment or transfer. Such acknowledgment shall be made within 15 days from the receipt of notification. All regulations and conditions contained in this Tariff shall apply to such assignee or transferee.

The assignment or transfer of services does not relieve or discharge the assignor or transferor from remaining jointly or severally liable with the assignee or transferee for any obligations existing at the time of the assignment or transfer.

- B. The use and restoration of services shall be in accordance with Part 64, Subpart D, Appendix A, of the Federal Communications Commission's Rules and Regulations, which specifies the priority system for such activities.
- C. Subject to compliance with the rules mentioned in B. preceding, the services offered herein will be provided to ICs on a first come, first served basis.

SECTION 2 - GENERAL REGULATIONS (CONT'D)**2.1 Undertaking of the Company (Cont'd.)****2.1.3 Liability**

The following liability provisions apply for all services.

- A. The Company's liability, if any, for its willful misconduct is not limited by this Tariff. With respect to any other claim or suit, by an IC, End User or by any others, for damages associated with the installation, provision, preemption, termination, maintenance, repair or restoration of service, and subject to the provisions of B through H following, the Company's liability shall not exceed an amount equal to the proportionate charge for the service for the period during which the service was affected. This liability for damages shall be in addition to any amounts that may otherwise be due the IC or End User under this Tariff as a Credit Allowance for a Service Interruption.
- B. The Company shall not be liable for any act or omission of any other carrier or IC providing a portion of a service, nor shall the Company for its own act or omission hold liable any other carrier or IC providing a portion of a service.
- C. The Company is not liable for damages to the IC terminal location or End User's premises resulting from the furnishing of a service, including the installation and removal of equipment and associated wiring, unless the damage is caused by the Company's negligence.
- D. The Company shall be indemnified, defended and held harmless by the End User against any claim, loss or damage arising from the End User's use of services offered under this Tariff, involving:
 - 1. Claims for libel, slander, invasion of privacy, or infringement of copyright arising from the End User's own communications.
 - 2. Claims for patent infringement arising from the End User's acts combining or using the service furnished by the Company in connection with facilities or equipment furnished by the IC or End User or;
 - 3. All other claims arising out of any act or omission of the End User in the course of using services provided pursuant to this Tariff.

SECTION 2 - GENERAL REGULATIONS (CONT'D)

2.1 Undertaking of the Company (Cont'd.)

2.1.3 Liability (Cont'd.)

- E. The Company shall be indemnified, defended and held harmless by the IC against any claim, loss or damage arising from the IC's use of services offered under this Tariff, involving:
1. Claims for libel, slander, invasion of privacy, or infringement of copyright arising from the IC's own communications;
 2. Claims for patent infringement arising from the IC's acts combining or using the service furnished by the Company in connection with facilities or equipment furnished by the End User or IC or;
 3. All other claims arising out of an act or omission of the IC in the course of using services provided pursuant to this Tariff.
- F. The Company does not guarantee or make any warranty with respect to its services when used in an explosive atmosphere. The Company shall be indemnified, defended and held harmless by the IC or End User from any and all claims by any person relating to such IC or End User use of services so provided.
- G. No license under patents (other than the limited license to use) is granted by the Company or shall be implied or arise by estoppel, with respect to any service offered under this Tariff. The Company will defend the IC or End User against claims of patent infringement arising solely from the use by the IC or End User of services offered under this Tariff and will indemnify such IC or End User for any damages awarded based solely on such claims.

SECTION 2 - GENERAL REGULATIONS (CONT'D)**2.1 Undertaking of the Company (Cont'd.)****2.1.3 Liability (Cont'd.)**

H. The Company's failure to provide or maintain services under this Tariff shall be excused by labor difficulties, governmental orders, civil commotions, criminal actions taken against the Company, acts of God and other circumstances beyond the Company's reasonable control, subject to the Credit Allowance for a Service Interruption as set forth in 2.4.4 following.

I. Should any federal, state or local jurisdiction determine that sales, use, gross receipts or any other taxes (including interest, penalties and surcharges thereon) are due by the Company as a result of the Company's purchase of accounts receivable. The Company will advise the IC and the IC shall be liable for any such tax, interest, penalties and surcharge, and the IC shall immediately reimburse the Company the amount of such tax, interest, penalties and surcharge paid by the Company. If the IC disagrees with the Company's determination that any axes are due by the Company or disagrees with an assessment of any tax, penalty, surcharge and interest due by the Company as a result of the Company's purchase of accounts receivable, the IC shall, at its option and expense (including immediate payments of any such assessment), have the right to seek a ruling as to the inapplicability of any such tax or to protest any assessment and participate in any legal challenge to such assessment, but shall be liable for any tax, penalty, surcharge and interest ultimately determined to be due.

J. **Unauthorized Computer Intrusion**

The Company's liability, if any, for its willful misconduct is not limited by this section of this Tariff. With respect to any other claim or suit by a subscriber, common carrier, reseller, or any other party for damages caused by or associated with, any unauthorized computer intrusion, including but not limited to the input of damaging information such as a virus, time bomb, any unauthorized access, interference, alteration, destruction, theft of, or tampering with, a Company computer, switch, data, database, software. information, network or other similar system, the Company's liability, if any, shall not exceed an amount equal to the proportionate charge by the Company for the service for the period during which the service provided by the Company was affected or so utilized.

Each subscriber of the Company shall be responsible for providing appropriate security measures to protect the subscriber's computer, data, or telecommunications network.

SECTION 2 - GENERAL REGULATIONS (CONT'D)**2.1 Undertaking of the Company (Cont'd.)****2.1.3 Liability (Cont'd.)****K. Transmission of Data**

Voice-grade lines are primarily conditioned to handle data speeds up to 9.6 kilobits per second (kbps). The Company makes no guarantee that voice-grade access lines and/or facilities are suitable for the transmission of data. However, in those cases where the transmission of data is attempted, the Company shall not be held liable for any damage, harm or loss of data caused by the subscriber using the Company's voice-grade telephone access lines and/or facilities for the transmission of data.

The Company's liability shall be limited to errors or damages to the transmission of voice messages over these facilities, and the liability shall be limited to an amount equal to the proportionate amount of the Company's billing for the period of service during which the errors or damages occur.

L. Errors or Damages Caused by System Date Limitations

The Company's liability for errors or damage resulting from the inability of the Company's systems to process unusual date requirements shall be limited to an amount equal to the proportionate amount of the Company's billing for the period of service during which the errors or damages occur.

M. Unauthorized Devices

The Company shall not be liable or responsible for any damage or harm that may occur as the result of unauthorized devices or the failure of the Company to detect unauthorized devices on the subscriber's line.

SECTION 2 - GENERAL REGULATIONS (CONT'D)

2.1 Undertaking of the Company (Cont'd.)

2.1.4 Provision of Services

- A. The Company, to the extent that such services are or can be made available with reasonable effort, and after provision has been made for the Company's telephone exchange services, will provide to the IC upon reasonable notice services offered in other applicable sections of this Tariff at rates and charges specified therein.
- B. Unless otherwise specified, service will be provided only to those ICs holding certificates of public convenience and necessity issued by the Florida Public Service Commission.

2.1.5 Installation and Termination of Services

The Access Services provided under this Tariff (a) will include any entrance cable or drop wiring and wire or intrabuilding cable to that point where provision is made for termination of the Company's outside distribution network facilities at a location of minimum penetration inside of the IC terminal location or End User premises and, (b) will be installed by the Company to such point of termination. This point of termination is defined as the Point of Interface at the IC terminal location and the Network Interface at the End User premises.

2.1.6 Maintenance of Services

The services provided under this Tariff shall be maintained by the Company. The IC or others may not rearrange, move, disconnect, remove or attempt to repair any facilities provided by the Company, other than by connection or disconnection to any interface means used, except with the written consent of the Company.

SECTION 2 - GENERAL REGULATIONS (CONT'D)**2.1 Undertaking of the Company (Cont'd.)****2.1.7 Changes and Substitutions**

Except as provided for equipment and systems subject to F.C.C. Part 68 Regulations at 47C.F.R. Section 68.110(b), the Company may, where such action is reasonably required in the operation of its business:

- A. Substitute, change or rearrange any facilities used in providing service under this Tariff, including but not limited to:
 - 1. Substitution of different metallic facilities,
 - 2. Substitution of carrier or derived facilities for metallic facilities used to provide other than metallic facilities, and
 - 3. Substitution of metallic facilities for carrier or derived facilities used to provide other than metallic facilities,
- B. Change minimum protection criteria,
- C. Change operating or maintenance characteristics of facilities, or,
- D. Change operations or procedures of the Company.

In case of any such substitution, change or rearrangement, the transmission parameters will be within the range as set forth in Sections 6 and 7 following. The Company shall not be responsible if any such substitution, change or rearrangement renders any IC furnished services obsolete or requires modification or alteration thereof or otherwise affects their use or performance. If such substitution, change or rearrangement materially affects the operating characteristics of the facility, the Company will provide reasonable notification to the IC in writing. Reasonable time will be allowed for any redesign and implementation required by the change in operating characteristics. The Company will work cooperatively with the IC to determine reasonable notification requirements.

SECTION 2 - GENERAL REGULATIONS (CONT'D)**2.1 Undertaking of the Company (Cont'd.)****2.1.8 Refusal and Discontinuance of Service**

- A. Unless the provisions of 2.2.1.B or 2.5 following apply, if the IC or End User fails to comply with 2.1.6 preceding or 2.2.2, 2.3.1, 2.3.6, 2.3.7, 2.3.14 or 2.4. following, including any payments to be made by it on the dates and times herein specified, the Company may, on thirty (30) calendar days written notice by Certified Mail or Overnight Delivery to the person designated by the IC or End User to receive such notices of noncompliance, refuse additional applications for service and/or refuse to complete any pending orders for service by the noncomplying IC or End User at any time thereafter. If the Company does not refuse additional applications for service on the date specified in the thirty (30) days notice and the IC's or End User's noncompliance continues, nothing contained herein shall preclude the Company's right to refuse additional applications for service to the noncomplying IC or End User without further notice.
- B. Unless the provisions of 2.2.1.B or 2.5 following apply, if the IC or End User fails to comply with 2.1.6 preceding or 2.2.2, 2.3.1, 2.3.6, 2.3.7, 2.3.14 or 2.4 following, including any payments to be made by it on the dates and times herein specified, the Company may on thirty (30) calendar days written notice by Certified Mail or Overnight Delivery to the person designated by the IC or End User to receive such notices of noncompliance, discontinue the provision of the services to the noncomplying IC or End User at any time thereafter. In the case of such discontinuance, all applicable charges, including termination charges, shall become due. If the Company does not discontinue the provision of the services involved on the date specified in the thirty (30) days notice, and the IC's or End User's noncompliance continues, nothing contained herein shall preclude the Company's right to discontinue the provision of the services to the noncomplying IC or End User without further notice.

SECTION 2 - GENERAL REGULATIONS (CONT'D)**2.1 Undertaking of the Company (Cont'd.)****2.1.8 Refusal and Discontinuance of Service (Cont'd.)**

C. In addition to and not in limitation of the provisions of 2.1.8.A and 2.1.8.B preceding, unless the provisions of 2.2.2.B or 2.5 following apply, if a customer fails to comply with 2.4.1.A or with 2.4.1.B.3 following, including any payment to be made by it on the dates and times herein specified, the Company may take actions specified in 2.1.8.A and 2.1.8.B on fifteen (15) calendar days written notice, such notice period to start the day after the notice is rendered by Certified Mail or Overnight Delivery, if the customer has not complied with respect to amounts due in a subject bill and either:

1. The Company has within seven (7) business days of the subject bill date:
 - a. Mailed via the United States Postal Service (USPS) to the customer the subject bill in paper or CDROM form, or
 - b. Overnight service delivered to the customer the subject bill in Magnetic Tape form, or
 - c. Electronically Transmitted to the customer the subject bill.

The Company will maintain records sufficient to validate the date upon which a subject bill was rendered to the customer.

2. The Company has rendered the subject bill, using one of the media described in 1 above, to the customer more than thirty (30) calendar days before notice under this section has been rendered.

In all other cases, the Company will give thirty (30) calendar days written notice pursuant to 2.1.8.A of 2.1.8.B. Action will not be taken with regard to the subject bill if the customer cures the noncompliance prior to the expiration of the fifteen (15) or thirty (30) calendar day notice period, as applicable.

SECTION 2 - GENERAL REGULATIONS (CONT'D)

2.1 Undertaking of the Company (Cont'd.)

2.1.8 Refusal and Discontinuance of Service (Cont'd.)

- D. In any event, if evidence is not presented to the Company that the IC has obtained a certificate of public convenience and necessity from the Florida Public Service Commission, the Company will not provide services contained in this Tariff to the IC.

If at any time after service has been provided to a certified IC, the IC's certificate of public convenience and necessity is revoked by the Florida Public Service Commission, the Company will, on thirty (30) days notice to the person designated by the IC to receive such notices, discontinue the provision of the services to the IC at any time thereafter. In the case of such discontinuance, all applicable charges, including termination charges, shall become due.

2.1.9 Quotation Charge

A nonrecurring charge for the preparation of a quotation applies whenever an IC requests an estimate of rates and charges for any service for which the rates and charges are determined on an individual case basis prior to placing an order for service. The charge includes the costs associated with the development and preparation of the quotation. A bill for the quotation preparation will be rendered. The quotation is valid for 90 days and will identify all estimated costs associated with the provision of the facilities needed to satisfy the IC's service requirements. Within this 90 day period, if the IC orders the service as quoted and service is subsequently provided, the Quotation Charge will be credited to the IC's account. If the IC cancels the request for a quotation prior to its completion, the IC will be billed for the costs incurred, for quotation preparation, through the cancellation date.

2.1.10 Limitation of Use of Metallic Facilities

Signals applied to the metallic facility shall conform to the limitations set forth in Technical Reference Publication AS No. 1. In the case of application of dc telegraph signaling systems, the IC shall be responsible, at its expense, for the provision of current limiting devices to protect the Company facilities from excessive current due to abnormal conditions and for the provision of noise mitigation networks when required to reduce excessive noise.

SECTION 2 - GENERAL REGULATIONS (CONT'D)

2.1 Undertaking of the Company (Cont'd.)

2.1.11 Notification of Service-Affecting Activities

The Company will provide the IC reasonable notification of service-affecting activities that may occur in normal operation of its business. Such activities may include, but are not limited to, equipment or facilities additions, removals or rearrangements, routine preventative maintenance and major switching machine change-out. Generally, such activities are not individual IC service specific, they affect many IC services. No specific advance notification period is applicable to all service activities. The Company will work cooperatively with the IC to determine reasonable notification requirements.

2.1.12 Coordination with Respect to Network Contingencies

The Company intends to work cooperatively with the IC to develop network contingency plans in order to maintain maximum network capability following natural or man-made disasters which affect telecommunications services. This includes developing plans for originating or terminating traffic associated with mass calling events directed to end users served from specific end offices. Where it is determined that such non-random calling generates problems on the Telephone Company's Common Transport network, the Telephone Company will work cooperatively with the customer to relieve the Traffic congestion. Remedial measures may include isolation of the customer from the Telephone Company network in the impacted area for the duration of the problem or until the customer notifies the Telephone Company that the problem has been resolved.

2.1.13 Provision and Ownership of Telephone Numbers

The Company reserves the reasonable right to assign, designate or change telephone numbers, any other call number designations associated with Access Service, or the Company serving central office prefixes associated with such numbers, when necessary in the conduct of its business. Should it become necessary to make a change in such number(s), the Company will furnish to the IC or End User 6 months notice, in writing of the effective date and an explanation of the reason(s) for such change(s).

SECTION 2 - GENERAL REGULATIONS (CONT'D)**2.2 Use****2.2.1 Interference or Impairment**

- A. The characteristics and methods of operation of any circuits, facilities or equipment provided by other than the Company and associated with the facilities utilized to provide services under this Tariff shall not interfere with or impair service over any facilities of the Company, its affiliated companies, or its connecting and concurring carriers involved in its services, cause damage to their plant, impair the privacy of any communications carried over their facilities or create hazards to the employees of any of them or the public.

- B. Except as provided for equipment or systems subject to the FCC Part 68 Rules in 47 C.F.R. Section 68.108, if such characteristics or methods of operation are not in accordance with A preceding, the Company will, where practicable, notify the IC or End User that temporary discontinuance of the use of a service may be required; however, where prior notice is not practicable, nothing contained herein shall be deemed to preclude the Company's right to temporarily discontinue forthwith the use of a service if such action is reasonable under the circumstances. In case of such temporary discontinuance, the IC or End User will be promptly notified and afforded the opportunity to correct the condition which gave rise to the temporary discontinuance. During such period of temporary discontinuance, credit allowance for service interruptions as set forth in 2.4.4.A and B following is not applicable.

2.2.2 Unlawful Use

The service provided under this Tariff shall not be used for an unlawful purpose.

SECTION 2 - GENERAL REGULATIONS (CONT'D)**2.2 Use (Cont'd.)****2.2.3 Use by Others**

- A. Any entity intending to resell private line services must be certificated by the Florida Public Service Commission as an Alternative Access Vendor (AAV) for intraexchange services, and as an AAV or Interexchange Carrier (IC) for interexchange services. Those entities certificated as an AAV or IC may resell private line services only by purchasing the like service from Section 7 Dedicated Access Services, of the Company's intrastate Access Service Tariff. Any entity certificated as an AAV or IC may purchase and resell a Local Exchange Company's (LEC's) private line service only between affiliated entities.

- B. Alternative Access Vendors (AAVs) can resell a special access service which is part of a dedicated interexchange private line between affiliates, and a special access service to an ICs switched network without affiliate restriction. In addition, an IC can resell an interexchange private line service under its existing IC certificate with no affiliate restriction, provided the LEC provides the local channel (LC) on each end of the private line service. However, if an IC utilizes an AAV to provide the LCs, the affiliate restrictions will apply.

SECTION 2 - GENERAL REGULATIONS (CONT'D)**2.3 Obligations of the IC****2.3.1 Damages**

The IC shall reimburse the Company for damages to Company facilities utilized to provide services under this Tariff caused by the negligence or willful act of the IC or an End User or resulting from the IC's or an End User's improper use of the Company facilities, or due to malfunction of any facilities or equipment provided by other than the Company. Nothing in the foregoing provision shall be interpreted to hold one IC or End User liable for another IC's or End User's actions. The Company will, upon reimbursement for damages, cooperate with the IC in prosecuting a claim against the person causing such damage and the IC shall be subrogated to the right of recovery by the Company for the damages to the extent of such payment.

2.3.2 Ownership of Facilities and Theft

Facilities utilized by the Company to provide service under the provisions of this Tariff shall remain the property of the Company. Such facilities shall be returned to the Company by the IC or end user, whenever requested, within a reasonable period following the request in as good condition as reasonable wear will permit.

2.3.3 Equipment Space and Power

The IC shall furnish or arrange to have furnished to the Company, at no charge, equipment space and electrical power required by the Company to provide services under this Tariff at the points of termination of such services. The selection of ac or dc power shall be mutually agreed to by the IC and the Company. The IC shall also make necessary arrangements in order that the Company will have access to such spaces at reasonable times for installing, testing, repairing or removing Company services.

SECTION 2 - GENERAL REGULATIONS (CONT'D)**2.3 Obligations of the IC (Cont'd.)****2.3.4 Proof of Certification**

- A. When an IC places an order with the Company for services provided in this Tariff, the IC shall be responsible for furnishing to the Company, at the time the service is requested, proof that the IC has obtained or is in the process of obtaining a certificate of public convenience and necessity from the Florida Public Service Commission. Unless this proof as described is presented to the Company, the IC's request for service will not be processed.
- B. If at the time service was requested, the IC had not obtained a certificate of public convenience and necessity from the Florida Public Service Commission, the IC must furnish to the Company on or before the date service is to be provided proof that a certificate has been issued to the IC by the Florida Public Service Commission. If the IC fails to provide proof of certification to the Company, service will not be provided.
- C. When an End User places an order with the Company for CCFLC SWA FGB service provided in this Tariff, the End User shall be responsible for furnishing to the Company, at the time the service is requested, proof through a letter of certification to the Company that the CCFLC SWA FGB service as ordered by the End User is to provide intrastate telecommunications services for its own use. CCFLC SWA FGB service to End Users cannot be resold and is only available where facilities permit.

2.3.5 Availability for Testing

The services provided under this Tariff shall be available to the Company at times mutually agreed upon in order to permit the Company to make tests and adjustments appropriate for maintaining the services in satisfactory operating condition. Such tests and adjustments shall be completed within a reasonable time. No credit will be allowed for any interruptions involved during such tests and adjustments.

2.3.6 Balance

All signals for transmission over the services provided under this Tariff shall be delivered by the IC balanced to ground except for ground start, duplex (DX) and McCulloh-Loop (Alarm System) type signaling and dc telegraph transmission at speeds of 75 baud or less.

SECTION 2 - GENERAL REGULATIONS (CONT'D)**2.3 Obligations of the IC (Cont'd.)****2.3.7 Design of IC Services**

Subject to the provisions of 2.1.7 preceding, the IC shall be solely responsible, at its own expense, for the overall design of its services and for any redesigning or rearrangement of its services which may be required because of changes in facilities, operations or procedures of the Company, minimum protection criteria or operating or maintenance characteristics of the facilities.

2.3.8 References to the Company

The IC may advise the end user that certain services are provided by the Company in connection with the service the IC furnishes to its end users; however, the IC shall not represent that the Company jointly participates in the IC's services.

2.3.9 Claims and Demands for Damages

- A. With respect to claims of patent infringement made by third persons, the IC shall defend, indemnify, protect and save harmless the Company from and against all claims arising out of the combining with, or use in connection with, the services provided under this Tariff, any circuit, apparatus, system or method provided by the IC or end users.
- B. The IC shall defend, indemnify and save harmless the Company from and against any suits, claims, losses or demands, including punitive damages, attorney fees and court costs by third persons arising out of the construction, installation, operation, maintenance, or removal of the IC's circuits, facilities, or equipment connected to the Company's services provided under this Tariff including, without limitation, Workmen's Compensation claims, actions for infringement of copyright and/or unauthorized use of program material, libel and slander actions based on the content of communications transmitted over the IC's circuits, facilities or equipment, and proceedings to recover taxes, fines, or penalties for failure of the IC to obtain or maintain in effect any necessary certificates, permits, licenses, or other authority to acquire or operate the services provided under this Tariff; provided, however, the foregoing indemnification shall not apply to suits, claims, and demands to recover damages for damage to property, death, or personal injury unless such suits, claims or demands are based on the tortious conduct of the IC, its officers, agents or employees.

SECTION 2 - GENERAL REGULATIONS (CONT'D)**2.3 Obligations of the IC (Cont'd.)****2.3.10 Coordination with Respect to Network Contingencies**

The IC shall, in cooperation with the Company, coordinate in planning the actions to be taken to maintain maximum network capability following natural or man-made disasters, which affect telecommunications services.

2.3.11 Jurisdictional Report Requirements**A. Jurisdictional Reports****1. Percent Interstate Usage (PIU)**

- a. When the Company receives sufficient call detail to permit it to determine the jurisdiction of originating and terminating access minutes of use or messages the Company will bill according to these actual minutes of use or messages and will not use customer reported Percent Interstate Usage (PIU) factors. The Company developed percent intrastate usage for access minutes will be determined at a statewide level.

The intrastate percentage will be developed on a monthly basis by end office when the access minutes are measured by dividing the measured intrastate originating or terminating access minutes (the access minutes where the calling number is in one state and the called number is in another state) by the total originating or terminating access minutes.

The Company will bill according to actual measured minutes of use or messages for all services listed in b and 5 following, with the exception of those listed:

- CCFLC SWA Local Channel
- CCFLC SWA Dedicated Interoffice Channel
- CCFLC SWA Billing Name and Address

SECTION 2 - GENERAL REGULATIONS (CONT'D)**2.3 Obligations of the IC (Cont'd.)****2.3.11 Jurisdictional Report Requirements (Cont'd.)****A. Jurisdictional Reports****1. Percent Interstate Usage (PIU)****a. (cont'd.)**

Where the Company receives insufficient call detail to identify the calling station to determine the jurisdiction, the Company will charge the applicable rates for terminating CCFLC SWA as set forth in this Tariff: There may be a percentage of usage where it is not possible to know, and therefore to send to Consolidated Communications of Florida Company (CCFLC), the needed originating information. Accordingly, CCFLC will charge the terminating CCFLC SWA rate for only those minutes lacking originating information from all SWA customers, currently 7.00 percent (%) (the "floor"). A 2.00 percent (%) grace threshold will be granted in conjunction with the floor. When the percentage of the carrier's traffic without the sufficient call detail to determine jurisdiction does not exceed the sum of the floor plus the grace threshold, or 9.00 percent (%), CCFLC will not apply the provisions of this tariff. When the percentage is greater than 9.00 percent (%), CCFLC will exercise the provisions of its tariff. For example, if 30 percent (%) of a customer's minutes sent to CCFLC do not contain sufficient originating information to allow CCFLC to determine the originating location, then CCFLC would apply the provisions of this tariff to those minutes exceeding the "floor", or 23.00 percent (%) in this example.

CCFLC may recalculate the overall SWA customer average "floor" quarterly. In addition, subsequent reviews or audits of specific customer usage may result in a new "floor" for that customer.

In the event that CCFLC applies the intrastate terminating access rate to calls without the Calling Party Number as provided in this tariff, CCFLC's access customers will have the opportunity to request backup documentation of CCFLC's basis for such application, and further request that CCFLC change the application of the intrastate access rate upon a showing of why the intrastate rate should not be applied.

SECTION 2 - GENERAL REGULATIONS (CONT'D)**2.3 Obligations of the IC (Cont'd.)****2.3.11 Jurisdictional Report Requirements (Cont'd.)****A. Jurisdictional Reports****1. Percent Interstate Usage (PIU)****a. (cont'd.)**

For the purpose of this tariff, where the customer is a third-party provider of CCS7 services to its customers ("Third Party Customers"), the customer will develop its projected PIU factor based upon a weighted average of the PIUs of its Third Party Customers' end-user traffic in accordance with the procedures described below. A Third Party Customer may elect to have the Company determine the weighted PIU and in so doing the CCS7 provider shall name and identify their third party customers. In the event a Third Party Customer does not provide a projected PIU or does not elect to have the Company determine the PIU, a 50 percent PIU will be utilized for that Third Party Customer until such time as the Company obtains sufficient data to develop the PIU as specified in b following.

The IC will provide in its initial order the projected Percent Interstate Usage (PIU) at a statewide level on a local exchange company specific basis. When the IC and/or End User computes the PIU, it will subtract the developed percentage from 100 and the difference is the percent intrastate usage. The sum of the interstate and intrastate percentage will equal 100 percent. A PIU of less than 100 percent is not allowed where the service is not available as an intrastate access service. The projected PIU may include up to two decimals.

The intrastate usage is to be developed as though every call that originates from a calling location within the same state as that in which the called station is situated is an intrastate communication and every call for which the originating location is in a state other than that where the called station is situated is an interstate communication. The manner in which the call is routed through the telecommunications network does not affect the jurisdiction of a call, i.e., a call between two points within the same state is an intrastate communication even if the call is routed through another state.

SECTION 2 - GENERAL REGULATIONS (CONT'D)

2.3 Obligations of the IC (Cont'd.)

2.3.11 Jurisdictional Report Requirements (Cont'd.)

A. Jurisdictional Reports

1. Percent Interstate Usage (PIU)

a. (cont'd.)

The Company will designate the number obtained by subtracting the intrastate percentage furnished by the IC from 100 (100 - customer percentage = interstate percentage) as the projected interstate percentage of use.

b. When an IC initially orders service(s), as defined in the following, the IC will state in its order the Percent Interstate Usage (PIU) separately for each, as set forth in a preceding.

- CCFLC SWA FGA
- CCFLC SWA FGB
- CCFLC SWA FGD
- CCFLC SW 500 Service
- 700 Service
- CCFLC SWA 8XX Toll Free Dialing Ten Digit Screening Service
- CCFLC SWA 900 Service

 SECTION 2 - GENERAL REGULATIONS (CONT'D)

2.3 Obligations of the IC (Cont'd.)

2.3.11 Jurisdictional Report Requirements (Cont'd.)

A. Jurisdictional Reports

1. Percent Interstate Usage (PIU)

a. (cont'd.)

- Switched Local Channel
- CCFLC SWA Dedicated Interoffice Channel
- CCFLC SWA Dedicated Interoffice Channel
- Channelization Equipment
- CCFLC Billing Name and Address
- CCFLC Inward Operator Service
- CCFLC Operator Assistance Access Service

When an End User initially orders CCFLC SWA FGB service, where facilities permit, the End User will state in the order, the PIU for each state.

The Percent Interstate Usage (PIU) factors associated with CCFLC SWA FGA, CCFLC SWA FGB, CCFLC SWA FGD and CCFLC SWA 500, 700, CCFLC SWA 8XX Toll Free Dialing Ten Digit Screening and CCFLC SWA 900 service will also apply to all associated elements and services, e.g. Carrier Common Line, Local Switching, CCFLC SWA Common Interoffice Channel, Interconnection, Access Tandem Switching, Common Trunk Port Service and minute of use based multiplexer rate elements, where applicable.

The PIU category, CCFLC SWA Local Channel, includes Dedicated End Office Trunk Port Service and Dedicated Tandem Trunk Port Service charges and other flat rated charges not specifically covered by other PIU categories.

The customer will provide a single factor as the projected Percent Interstate Usage (PIU) to apportion the usage between interstate and intrastate. This factor will be applied to the following categories:

- CCFLC SWA Local Channel
- CCFLC SWA Dedicated Interoffice Channel
- Channelization Equipment

SECTION 2 - GENERAL REGULATIONS (CONT'D)

2.3 Obligations of the IC (Cont'd.)

2.3.11 Jurisdictional Report Requirements (Cont'd.)

A. Jurisdictional Reports

1. Percent Interstate Usage (PIU)

a. (cont'd.)

The PIU factor provided for each of the foregoing facilities categories (Switched Local Channel, CCFLC SWA Dedicated Interoffice Channel and Channelization Equipment) will reflect the combination of all traffic types which traverse such facility category.

When Dedicated Access service is provided on a CCFLC SWA facility, e.g., Dedicated Access DS1 (a.k.a. CCFLC SPA DS1) on a CCFLC SWA DS3, the facility will be apportioned between CCFLC SWA and Dedicated Access. The jurisdiction of the Dedicated Access service shall reflect the composite of the jurisdiction of the lower capacity services, if any, of which it is comprised.

The IC and/or End User shall compute the PIU using the following formula (rounded to a whole percentage).

$$\frac{\text{Total Interstate Originating Minutes} + \text{Total interstate Terminating Minutes}}{\text{Total Originating Minutes} + \text{Total Terminating Minutes}}$$

SECTION 2 - GENERAL REGULATIONS (CONT'D)**2.3 Obligations of the IC (Cont'd.)****2.3.11 Jurisdictional Report Requirements (Cont'd.)****A. Jurisdictional Reports**

2. Effective October 1, 2000, the customer will provide a single factor as the projected Percent Interstate Usage (PIU) to apportion the usage between interstate and intrastate. This PIU will apply to the following categories: CCFLC SWA, Local Channel, CCFLC SWA Dedicated Interoffice Channel and Channelization Equipment.

Effective July 1, 2000, the customer's and/or end user's projected Percent Interstate Usage (PIU) will be provided at a statewide level on a local exchange company specific basis.

Effective on the first of January, April, July and October of each year the IC will update the interstate and intrastate jurisdictional report. End Users must update the jurisdictional report on a quarterly basis for the Feature Group B services provided from this Tariff. The IC will forward to the Company, to be received no later than 30 days after the first of each such month, a revised report or letter for all services showing the intrastate percentage of use for the past three months ending the last day of December, March, June and September, respectively, for each service arranged for intrastate use. The revised report or letter will serve as the basis for the next three months' billing and will be effective on the bill date for that service. If the IC or End User does not supply an updated quarterly report or letter, the Company will assume the percentages to be the same PIU provided in the last quarterly report or letter accepted by the Company. For those cases in which quarterly reports have never been received from the IC or End User, the Company will assume the PIU factors to be the most recent audit results or to be the same as those provided in the order for services if no audit has been performed. If an audit has been completed and an updated quarterly report or letter has not been submitted subsequent to the audit, the Company will assume the PIU factors to be the most recent audited results,

SECTION 2 - GENERAL REGULATIONS (CONT'D)

2.3 Obligations of the IC (Cont'd.)

2.3.11 Jurisdictional Report Requirements (Cont'd.)

A. Jurisdictional Reports

3. When mixed interstate and intrastate Dedicated Access Service is provided, the jurisdiction will be determined as follows.

- If the IC or End User's estimate of the interstate traffic on the service involved constitutes 10 percent or less of the total traffic on that service, the service will be provided in accordance with the applicable rules and regulations of this Tariff:

When mixed interstate and intrastate Dedicated Access Service is provided, the jurisdiction will be determined as follows.

- If the IC or End User's estimate of the interstate traffic on the service involved constitutes more than 10 percent of the total traffic on that service, the service will be
- provided in accordance with the applicable rules and regulations of the NECA Tariff FCC No. 5.

The IC or End User shall keep records from which the percentage of interstate and intrastate use was estimated and upon request of the Company make the records available for inspection as reasonably necessary for purposes of verification of the percentages. The IC or End User shall supply the data within 30 days of the Company request.

SECTION 2 - GENERAL REGULATIONS (CONT'D)**2.3 Obligations of the IC (Cont'd.)****2.3.11 Jurisdictional Report Requirements (Cont'd.)****B. Jurisdictional Report Verification**

1. When an IC or End User provides a projected interstate usage percent as set forth in A. preceding, or when a billing dispute arises or a regulatory commission questions the projected interstate percentage for CCFLC SWA, the Company may, by written request, require the IC or End User to provide the data the IC or End User used to determine the projected interstate percentage.. This written request will be considered the initiation of the audit. The IC or End User shall supply the data to an independent auditor within thirty days of the Company request. The IC or End User shall keep records of call detail from which the percentage of interstate and intrastate use can be ascertained as set forth in C following and upon request of the Company make the records available for inspection at an agreed upon location during normal business hours as reasonably necessary for purposes of verification of the percentages. The Company will audit data from one quarter unless a longer period is requested by the IC or End User and agreed to by the Company. Changes to the reported PIU will not be made for the test period. If the IC or End User does not provide the requested data to the Company or independent auditor within (30) days of the notice of audit, the IC or End User will be in violation of this Tariff and subject to 2.1.8 of this Tariff.

Where attempts to obtain the appropriate data from the IC or End User beyond the 30-day time limit have failed, the Company may provide such documentation to the FPSC as an indication of the IC or End User being in violation of this Tariff.

2. For CCFLC SWA service, verification audits may be conducted no more frequently than once per year except in extreme circumstances, The Company, and IC or End User will attempt to limit the audit to a reasonable time to effectively complete the audit. The Company and IC or End User shall respond promptly to requests generated during the audit to ensure timely completion of the audit.

SECTION 2 - GENERAL REGULATIONS (CONT'D)**2.3 Obligations of the IC (Cont'd.)****2.3.11 Jurisdictional Report Requirements (Cont'd.)****B. Jurisdictional Report Verification (Cont'd.)**

3. Audits may be conducted by an independent auditor under contract to the Company; (b) a mutually agreed upon independent auditor; or (c) an independent auditor selected and paid for by the IC or End user. If the IC or End User selects option (c), where it pays for its own independent audit, the selected auditor must certify that the audit was performed following FCC procedures for measuring interstate and intrastate traffic as established by Commission orders, and provide to the Company a report with supporting documentation to verify such procedures. In the event that the IC's auditor is agreed upon to perform the audit, the auditor shall produce an attestation audit report upon completion of the audit.

When an auditor cannot be agreed upon within 30 days by one of the three options above, the Joint LEC Audit Committee's auditor shall perform the audit.

4. If a billing dispute arises or a regulatory commission questions the projected interstate percentage for Dedicated Access Service, the Company will ask the IC or End User to provide the data the IC or End User uses to determine the projected interstate percentage. The IC or End User shall supply the data to an independent auditor within thirty days of the Company request. The IC or End User shall keep records from which the percentage was determined and upon request of the Company make the records available for inspection as reasonably necessary for purposes of verification of the percentages.

Where an independent auditor cannot be agreed upon within 30 days the IC or End User shall supply the data to the Joint LEC Audit Committee's auditor. If the IC or End User does not comply within the 30 day time frame, the FPSC shall be notified and provided with all documentation substantiating requests made by the Company.

SECTION 2 - GENERAL REGULATIONS (CONT'D)**2.3 Obligations of the IC (Cont'd.)****2.3.11 Jurisdictional Report Requirements (Cont'd.)****C. Maintenance of IC Records**

1. The IC, Reseller, End User and ADS provider shall retain for a minimum of six (6) months call detail records, that substantiate the percentage data provided to the Company as set forth in A preceding for CCFLC SWA service. Such records shall consist of one of a and b (if applicable), following:
 - a. All call detail records, such as work papers and/or backup documentation including paper, magnetic tapes or any other form of records for billed IC or End User traffic, call information including call terminating address (i.e., called number), the call duration, all originating and terminating trunk groups or access lines over which the call is routed, and the point at which the call enters the IC or End User's network; and
 - b. If the IC has a mechanized system in place that calculated the PIU, then a description of that system and the methodology used to calculate the PIU must be furnished and any other pertinent information (such as but not limited to flowcharts, source code, etc.) relating to such system must also be made available.
2. Correspondence between the Company and the IC or End User shall be limited to Certified U.S. Mail for the following: Audit Results, Choice of Auditor and Choice of Test Period. Response times by the parties shall be limited to the following: Audit Results-30 days, Choice of Auditor-30 days and Choice of Test Period-10 business days. In the absence of a response within these time frames, concurrence will be assumed on the contents of such correspondence, where applicable.

SECTION 2 - GENERAL REGULATIONS (CONT'D)**2.3 Obligations of the IC (Cont'd.)****2.3.11 Jurisdictional Report Requirements (Cont'd.)****D. Audit Results for CCFLC SWA**

1. Audit results will be furnished to the IC or End User via Certified U.S. Mail (return receipt requested.) The Company will adjust the IC or End User's PIU based upon the audit results. The PIU resulting from the audit shall be applied to the usage for the quarter the audit was completed, the usage for the quarter prior to completion of the audit, and to the usage for the two (2) quarters following the completion of the audit. After that time, the IC or End User may report a revised PIU pursuant to A preceding. If the revised PIU submitted by the IC or End User represents a deviation of five percentage points or more from the audited PIU, and that deviation is not due to identifiable reasons, the provisions in B preceding will be applied.
2. Both credit and debit adjustments will be made to the IC or End User's interstate and intrastate access charges for the specified period to accurately reflect the usage for the IC or End User's account consistent with 2.4.1 following.
3. If, as a result of an audit conducted by an independent auditor under contract to the Company, an IC or End User is found to have over stated the PIU by twenty percentage points or more, the Company shall require reimbursement from the IC or End User for the cost of the audit. The mutually agreed upon auditor will be paid for by the IC or End User. Such bill(s) shall be due and paid in immediately available funds thirty days from receipt and shall carry a late payment penalty as set forth in 2.4.1 following. If, after the 30 days, payment is not received from the IC or End User, all documentation that demonstrates attempts to collect the cost of the audit shall be turned over to the FPSC.

SECTION 2 - GENERAL REGULATIONS (CONT'D)**2.3 Obligations of the IC (Cont'd.)****2.3.11 Jurisdictional Report Requirements (Cont'd.)****E. Contested Audits**

1. When a PIU audit is conducted by an independent auditor selected by the Company, the audit results will be furnished to the IC or End User by Certified U.S. Mail (return receipt requested). The IC or End User may contest the audit results based on substantive cause by providing written notification, by Certified U.S. Mail (return receipt requested), to the Company within thirty (30) calendar days from the date the audit report is furnished to the IC or End User by Certified U.S. Mail. When a PIU audit is conducted by an independent auditor selected by the IC or End User, the audit results will be furnished to the Company by Certified U.S. Mail (return receipt requested). The Company may contest the audit results by providing written notification, by Certified U.S. Mail (return receipt requested), to the IC or End User within thirty (30) calendar days from the date the audit report is furnished to the Company by Certified U.S. Mail.
2. Contested audits may be resolved by a neutral arbitrator mutually agreed upon by the Company and the IC or End User. Arbitration is an option provided in addition to the IC or End User's existing right to file a complaint or legal action in a court of law or at the Commission for resolution of the dispute. The arbitration hearing will be conducted in a state or location within the Company operating territory where the IC or End User maintains a principle or significant presence as mutually agreed upon by both parties, or a state and location within the Company operating territory that is mutually agreed upon by both parties. The arbitration proceeding shall be governed by the law (both statutory and case) of the state in which the arbitration hearing is held. Including, but not limited to, the Uniform Arbitration Act, as adopted in that state. The arbitration shall determine the IC or End User's PIU based on A preceding.

SECTION 2 - GENERAL REGULATIONS (CONT'D)**2.3 Obligations of the IC (Cont'd.)****2.3.11 Jurisdictional Report Requirements (Cont'd.)****E. Contested Audits (Cont'd.)**

3. Prior to the arbitration hearing, each party shall notify the arbitrator of the PIU percentage which that party believes to be correct. The arbitrator, in deciding, may adopt the PIU percentage of either party or may adopt a PIU percentage different from those proposed by the parties. If the arbitrator adopts a PIU percentage proposed by one of the parties, the other party (whose PIU percentage was not adopted) shall pay all costs of the arbitration. If the arbitrator adopts a PIU percentage higher than either of the PIU percentages proposed by the parties, then the party proposing the lower PIU percentage shall pay all costs of the arbitration. If the arbitrator adopts a PIU percentage tower than either of the PIU percentages proposed by the parties, then the party proposing the higher PIU percentage shall pay all costs of the arbitration. If the arbitrator adopts a PIU percentage which falls between the two percentages adopted by the parties, then the parties shall each pay one-half of the arbitration costs.
4. Absent written notification, within the time frame noted above, the IC or End User must comply with the provisions set forth in D preceding. If the IC or End User fails to comply with these provisions, the Company may refuse additional applications for service and/or refuse to complete any and all pending orders for service or may discontinue the provision of the services to the IC or End User as specified in 2.1.8 preceding.
5. The FPSC shall be notified and given all documentation that substantiates the IC or End User non-payment.

SECTION 2 - GENERAL REGULATIONS (CONT'D)**2.3 Obligations of the IC (Cont'd.)****2.3.12 Determination of Intrastate Charges for Mixed Interstate and Intrastate CCFLC SWA Service**

- A. When mixed interstate and intrastate CCFLC SWA service is provided, all charges (i.e., nonrecurring, monthly and/or usage) including optional feature charges, will be prorated between interstate and intrastate. The percentage provided in the reports as set forth in 2.3.11.A preceding will serve as the basis for prorating the charges. The intrastate percentage will change as revised jurisdictional reports are submitted. The percentage of a CCFLC SWA service to be charged as intrastate is applied in the following manner:
1. For monthly and nonrecurring chargeable rate elements, multiply the percent intrastate use times the quantity of chargeable elements times the stated tariff rate per element.
 2. For usage sensitive (i.e., access minutes and calls) chargeable rate elements, multiply the percent intrastate use times the actual use (i.e., measured or Company assumed average use) times the stated tariff rate.

2.3.13 800 Number Reporting

For CCFLC SWA 8XX Toll Free Dialing Ten Digit Screening service, the IC will be responsible for reporting to the Company or directly to the Service Management System 800 numbers that are in service in the Company serving area and the activation date of every 800 number assigned.

Additionally, the provision of CCFLC SWA 8XX Toll Free Dialing Ten Digit Screening service, provided from Section 6 following, requires the IC's subscription to basic CCFLC 8XX Toll Free Dialing Number Administration service features found in Section 13 of this Tariff; or as an alternative, the provision of those features by other responsible organizations or through direct access by the IC to the Service Management System.

SECTION 2 - GENERAL REGULATIONS (CONT'D)**2.3 Obligations of the IC (Cont'd.)****2.3.14 Identification and Rating of VoIP-PSTN Traffic****A. Scope**

VoIP-PSTN Traffic is the traffic exchanged in time division multiplexing ("TDM") format that originates and/or terminates in Internet protocol ("IP") format. Traffic originates and/or terminates in IP format if it originates from and/or terminates to an end-user customer of a service that requires Internet protocol compatible customer premises equipment.

This Section governs the identification of VoIP-PSTN Traffic that is subject to the access compensation rules adopted by the Federal Communications Commission in its Report and Order in WC Docket Nos. 10-90 et. al., FCC No. 11-161 (November 18, 2011) and in its Second Order on Reconsideration, FCC No. 12-47 (April 25, 2012). Specifically, this Section establishes the method of separating such traffic (referred to in this tariff as "Relevant VoIP-PSTN Traffic") from the Customer's traditional intrastate access traffic, so that such Relevant VoIP-PSTN Traffic can be billed in accordance with the FCC Orders.

B. Rating of VoIP-PSTN Traffic

The Company will bill Relevant VoIP-PSTN Traffic identified in accordance with this tariff Section as follows:

- Between December 29, 2011 and July 12, 2012, the applicable rate elements used in providing access for Relevant VoIP PSTN Traffic that originates on the Company's network for termination to the Customer's end users (originating traffic) will be billed at interstate access rates applicable to the Company as set forth in NECA Access Service Tariff F.C.C. No. 5.
- Beginning July 13, 2012 through June 30, 2014, the applicable rate elements used in providing access for Relevant VoIP PSTN Traffic that originates on the Company's network for termination to the Customer's end users (originating traffic) will be billed at intrastate access rates, as set forth in this Tariff.
- Beginning July 1, 2014, the applicable rate elements used in providing access for Relevant VoIP PSTN Traffic that originates on the Company's network for termination to the Customer's end users (originating traffic) will be billed at interstate access rates applicable to the Company as set forth in NECA Access Service Tariff F.C.C. No. 5.

SECTION 2 - GENERAL REGULATIONS (CONT'D)**2.3 Obligations of the IC (Cont'd.)****2.3.14 Identification and Rating of VoIP-PSTN Traffic (Cont'd.)****B. Rating of VoIP-PSTN Traffic (Cont'd.)**

- Beginning December 29, 2011, the applicable rate elements used in providing access for Relevant VoIP PSTN Traffic that originates from the Customer's end users and terminates on the Company's network (terminating traffic) will be billed at interstate access rates applicable to the Company as set forth in NECA Access Service Tariff F.C.C. No. 5.

C. Calculation and Application of Percent-VoIP-Usage Factors

The Company will determine the number of Relevant VoIP-PSTN Traffic minutes of use ("MOU") to which interstate rates will be applied under subsection (B), above, by applying the Percent VoIP Usage ("PVU") factor to the total terminating intrastate access MOU (however determined – either based on call detail information or PIU) sent to a Company end user by the Customer (terminating traffic). Beginning July 1, 2014, the Company will apply the PVU to both terminating and originating intrastate access MOU exchanged between the Company and the Customer. The PVU will be derived and applied as follows:

1. The customer will calculate and furnish to the Company a factor (the "PVU-A") representing the percentage of the total terminating intrastate and interstate access MOU sent to a Company end user by the Customer that originates in IP format. This PVU-A shall be based on information such as the number of the Customer's retail VoIP subscriptions in the state (e.g., as reported on FCC Form 477), traffic studies, actual call detail, or other relevant and verifiable information. Beginning July 1, 2014, the Customer's PVU-A shall be based on access MOU the Customer exchanges with the Company in State that is (a) sent to the Company that originated in IP format or (b) is received from the Company and terminated in IP format.
2. The Company will, likewise, calculate a factor (the "PVU-B") representing the percentage of the Company's total access MOU in the State that the Company terminates in IP format. This PVU-B shall be based on information such as the number of the customer's retail VoIP subscriptions in the state (e.g., as reported on FCC Form 477), traffic studies, actual call detail, or other relevant and verifiable information. Beginning July 1, 2014, the PVU-B shall be based on access MOU in the State that originates or terminates in IP format.

SECTION 2 - GENERAL REGULATIONS (CONT'D)**2.3 Obligations of the IC (Cont'd.)****2.3.14 Identification and Rating of VoIP-PSTN Traffic (Cont'd.)****C. Calculation and Application of Percent-VoIP-Usage Factors (Cont'd.)**

3. The Company will use the PVU-A and PVU-B factors to calculate an effective PVU factor that represents the percentage of total terminating access MOU received from the Customer that is terminated in IP format by the Company and/or originated in IP format by the Customer. Beginning July 1, 2014, the PVU factor will represent the total intrastate access MOU exchanged between the Company and the Customer that originates or terminates in IP format at either the Company end or the Customer end. The PVU factor will be calculated as the sum of: (A) the PVU-A factor and (B) the PVU-B factor times (1.0 minus the PVU-A factor).
4. The Company will apply the effective PVU factor to the total terminating intrastate access MOU exchanged with the customer to determine the number of Relevant VoIP-PSTN Traffic MOUs.
 - Example 1: The PVU-B is 10% and the PVU-A is 40%. The effective PVU factor is equal to $40\% + (10\% \times 60\%) = 46\%$. The Company will bill 46% of the Customer's terminating intrastate access MOU in accordance with the Company's applicable interstate switched access tariff.
 - Example 2: The PVU-B is 10% and the PVU-A is 0%. The effective PVU factor is $0\% + (100\% \times 10\%) = 10\%$. The Company will bill 10% of the Customer's terminating intrastate access MOU in accordance with the Company's applicable interstate switched access tariff.
 - Example 3: The PVU-A is 100%. No matter what the PVU-B factor is, the effective PVU is 100%. The Company will bill 100% of the Customer's terminating intrastate access MOU in accordance with the Company's applicable interstate switched access tariff.

In all of the examples above, the Company will apply the PVU to both originating and terminating intrastate access MOU beginning July 1, 2014.

SECTION 2 - GENERAL REGULATIONS (CONT'D)**2.3 Obligations of the IC (Cont'd.)****2.3.14 Identification and Rating of VoIP-PSTN Traffic (Cont'd.)****C. Calculation and Application of Percent-VoIP-Usage Factors (Cont'd.)**

5. If the Customer does not furnish the Company with a PVU-A pursuant to the preceding paragraph C.1, the Company will utilize an effective PVU equal to the PVU-B.

D. Initial PVU Factor

If the PVU factor is not available and/or cannot be implemented in the Company's billing systems by December 29, 2011, once the factor is available and can be implemented the Company will adjust the Customer's bills to reflect the PVU retroactively to December 29, 2011. In calculating the initial PVU, the Company will take the Customer-specified PVU-A into account retroactively to December 29, 2011, provided that the Customer provides the factor to the Company no later than April 15, 2012. Otherwise, it will set the initial PVU equal to the PVU-B, as specified in C.5 above.

E. PVU Factor Updates

The Customer may update the PVU-A factor or the Company may update the PVU-B quarterly using the method set forth in Subsection C4 above. If the Customer chooses to submit such updates, it shall forward to the Company, no later than 15 days after the first day of January, April, July and/or October of each year, a revised PVU-A factor based on data for the prior three months, ending the last day of December, March, June and September, respectively. The Company will use the revised PVU-A to calculate a revised PVU. The revised PVU factor will only apply prospectively and serve as the basis for billing until superseded by a new PVU.

F. PVU Factor Verification

Not more than twice in any year, the Company may ask the customer to verify the PVU-A factor furnished to the Company and the Customer may ask the Company to verify the PVU-B factor and the calculation of the PVU factor. The party so requested shall comply, and shall reasonably provide the records and other information used to determine their respective PVU-A and PVU-B factors.

2.3.15 Utilization of Alternative Access Providers

When the IC of record for an access service utilizes the service(s) of an alternative access provider, it will be the obligation of the IC to monitor the actions of the alternative access provider to insure that the IC's desired service interconnections and grades of service are maintained.

SECTION 2 - GENERAL REGULATIONS (CONT'D)

2.4 Payment Arrangements and Credit Allowances

2.4.1 Payment of Rates, Charges and Deposits

- A. The Company will, in order to safeguard its interests, only require an IC which has a proven history of late payments to the Company or does not have established credit to make a deposit prior to or at any time after the provision of a service to the IC to be held by the Company as a guarantee of the payment of rates and charges.

The Company will notify the Customer of a deposit requirement by Certified Mail or Overnight Delivery. The customer will be required to make payment of such deposit prior to the provision of new service in those cases where the customer has not established credit with the Company, or otherwise within fifteen (15) days of such notice for customers with existing services. Such notice period will start the day after the notice is rendered by Certified Mail or Overnight Delivery.

No such deposit will be required of an IC which is a successor of a company which has established credit and has no history of late payments to the Company. Such deposit may not exceed the actual or estimated rates and charges for the service for a two month period. The fact that a deposit has been made in no way relieves the IC from complying with the Company's regulations as to the prompt payment of bills. At such time as the provision of the service to the IC is terminated, the amount of the deposit will be credited to the IC's account and any credit balance which may remain will be refunded.

Such a deposit will be refunded or credited to the IC's account when the IC has established credit or, in any event, after the IC has established a one-year prompt payment record at any time prior to the termination of the provision of the service to the IC. In case of a cash deposit, for the period the deposit is held by the Company, the IC will receive interest at the same percentage rate as that set forth in B.3.a or in B.3.b following whichever is lower. The rate will be compounded daily for the number of days from the date the IC's deposit is received by the Company to and including the date such deposit is credited to the ICs account or the date the deposit is refunded by the Company. Should a deposit be credited to the IC's account, as indicated above, no interest will accrue on the deposit from the date such deposit is credited to the IC's account.

SECTION 2 - GENERAL REGULATIONS (CONT'D)**2.4 Payment Arrangements and Credit Allowances (Cont'd.)****2.4.1 Payment of Rates, Charges and Deposits (Cont'd.)**

B. The Company shall bill on a current basis all charges incurred by and credits due to the IC under this Tariff attributable to services, including, but not limited to the Trouble Location Charge as set forth in 13.3.1 following, established or discontinued during the preceding billing period. In addition, the Company shall bill in advance charges for all services to be provided during the ensuing billing period except for charges associated with service usage, and for the Federal Government which will be billed in arrears. The bill day (i.e., the billing date of a bill for an End User or IC for Access Service under this Tariff), the period of service each bill covers and the payment date will be as follows:

1. For services provided under this Tariff that are billed directly to the End User, the Company will establish a bill day each month for each end user account. The bill will cover charges applicable to the End User for the ensuing billing period, except for the Federal Government which will be billed in arrears. Any known unbilled charges for prior periods and any known unbilled adjustments for prior periods for the charges applicable to the End User will be applied to this bill. Such bills are due when rendered.
2. For services provided under this Tariff that are billed directly to the IC the Company will establish a bill day each month for each IC account. The bill will cover nonusage sensitive service charges for the ensuing billing period for which the bill is rendered, any known unbilled nonusage sensitive charges for prior periods and unbilled usage charges for the period after the last bill day thru the current bill day. Any known unbilled usage charges for prior periods and any known unbilled adjustments will be applied to this bill. Payment for such bills is due as set forth in 3 following. If payment is not received by the payment due date, as set forth in 3 following in immediately available funds, a late payment penalty will apply as set forth in 3 following.

SECTION 2 - GENERAL REGULATIONS (CONT'D)**2.4 Payment Arrangements and Credit Allowances (Cont'd.)****2.4.1 Payment of Rates, Charges and Deposits (Cont'd.)****B. (Cont'd.)**

3. All bills dated as set forth in 2, preceding for services provided to the IC and/or End User by the Company are due on the payment due date. The payment due date is the date which is 31 days after the bill day or by the next bill date (i.e., same date in the following month as the bill date) whichever is the shortest interval, except as provided herein, and are payable in immediately available funds, a. All bills dated as set forth in 2 preceding for service, other than CCFLC Equal Access Subscription, provided to the customer by the Company are due on the payment due date. The payment due date is the date which is 31 days after the bill day, or by the next bill date (i.e. same date in the following month as the bill date), whichever is the shortest interval, except as provided herein, and are payable in immediately available funds. If such payment date would cause the payment to be due on a Saturday, Sunday or federal observed Holiday (e.g., New Year's Day, Birthday of Martin Luther King, Jr., Washington's Birthday, Memorial Day, Independence Day, Labor Day, Columbus Day, Veterans Day, Thanksgiving Day and Christmas Day), payment for such bills will be due from the customer as follows:

If such payment due date falls on a Sunday or on a federal observed Holiday which is observed on a Monday, the payment due date shall be the first non-federal observed Holiday day following such Sunday or federal observed Holiday. If such payment due date falls on a Saturday or on a federal observed Holiday which is observed on Tuesday, Wednesday, Thursday or Friday, the payment due date shall be the last non- federal observed Holiday day preceding such Saturday or federal observed Holiday.

SECTION 2 - GENERAL REGULATIONS (CONT'D)**2.4 Payment Arrangements and Credit Allowances (Cont'd.)****2.4.1 Payment of Rates, Charges and Deposits (Cont'd.)****B. (Cont'd.)****3. (Cont'd.)**

Further, if any portion of the payment is received by the Company after the payment due date as set forth preceding, or if any portion of the payment is received by the Company in funds which are not immediately available to the Company, then a late payment penalty may be due to the Company. The late payment penalty shall be the portion of the payment not received by the payment due date times a late factor. The late factor shall be the lesser of:

- a. The highest interest rate (in decimal value) which may be levied by law for commercial transactions, compounded daily for the number of days from the payment due date to and including the date that the IC and/or End User actually makes the payment to the Company, or
 - b. 0.000590 per day, compounded daily for the number of days from the payment due date to and including the date that the IC and/or End User actually makes the payment to the Company.
4. In the event of a billing dispute, the IC or End User must submit a documented claim for the disputed amount. If the dispute is submitted on or before the payment due date or within 90 days after the payment due date and the disputed amount is paid prior to resolution of the dispute, any interest credits due the IC or End User upon resolution of the dispute shall be calculated from the date of the overpayment to the resolution date. If the dispute is submitted more than 90 days after the payment due date and the disputed amount is paid prior to resolution of the dispute, any interest credits due the IC or End User upon resolution of the dispute shall be calculated from the dispute date or the date the payment is made, whichever occurs later, to the resolution date. The Company will resolve the dispute and assess interest credits or late payment penalties to the IC or End User as follows:

SECTION 2 - GENERAL REGULATIONS (CONT'D)

2.4 Payment Arrangements and Credit Allowances (Cont'd.)

2.4.1 Payment of Rates, Charges and Deposits (Cont'd.)

B. (Cont'd.)

4. (Cont'd.)

- If the dispute is resolved in favor of the Company and the IC or End User has paid the disputed amount on or before the payment due date, no credits or late payment penalties will apply to the disputed amount.
- If the dispute is resolved in favor of the Company and the IC or End User has withheld the disputed amount, any payments withheld pending settlement of the dispute shall be subject to the late payment penalty.
- If the dispute is resolved in favor of the IC or End User and the IC or End User has withheld the disputed amount, no credits or late payment penalties will apply to the disputed amount.
- If the dispute is resolved in favor of the IC or End User and the IC or End User has paid the disputed amount, the IC or End User will receive a credit from the Company for the disputed amount times a penalty factor as set forth preceding. The penalty factor shall be the lesser of:
 - a. The highest interest rate (in decimal value) which may be levied by law for commercial transactions, compounded daily for the number of days from the payment due date to and including the date that the IC and/or End User actually makes the payment to the Company, or
 - b. 0.000590 per day, compounded daily for the number of days from the payment due date to and including the date that the IC and/or End User actually makes the payment to the Company.

SECTION 2 - GENERAL REGULATIONS (CONT'D)**2.4 Payment Arrangements and Credit Allowances (Cont'd.)****2.4.1 Payment of Rates, Charges and Deposits (Cont'd.)****B. (Cont'd.)****4. (Cont'd.)**

If an IC's traffic terminates to an end office via an alternative Tandem Service Provider (TSP), any terminating usage dispute for that end office must identify the quantity of MOUs the IC's records indicate to be terminated via an alternative TSP.

Upon receipt of the dispute involving usage terminated via an alternative TSP, the Company will verify that the disputed bill accurately represents the information provided to the Company pursuant to 6.6.5 following, within five days of receipt of a dispute notification.

If the billing agrees with the billing data received pursuant to 6.6.5 following, the Company will refer the dispute to the entity providing the billing data information within sixteen days from the date the dispute was received.

The provider of the billing data information will investigate the claim and reply to the Company within fifteen days of the referral. The provider of the billing data information, the IC and the Company will work cooperatively to resolve any remaining discrepancies. If the entity providing the billing data information fails to cooperate with the Company to resolve billing disputes involving usage billed based on the billing data information received, the Company may refuse to accept future billing data information and bill the full terminating charges for all usage to the alternative TSP.

The terms and conditions in 2.4.1.8.3 preceding still apply except for the following:

- If the Company accurately billed the usage as contained in the billing data information provided to it, the Company will not be liable for any interest due the IC for overpayment if the dispute is resolved in the IC's favor.

SECTION 2 - GENERAL REGULATIONS (CONT'D)**2.4 Payment Arrangements and Credit Allowances (Cont'd.)****2.4.1 Payment of Rates, Charges and Deposits (Cont'd.)**

- C. Adjustments for the quantities of services established or discontinued in any billing period beyond the minimum period set forth for services in other sections of this Tariff will be prorated based on the number of days the IC or End User had service during the billing period times one-thirtieth (1/30th) the monthly rate. Billing for service begins on the day following the date of installation and shall accrue through and include the day service is discontinued. The Company will, upon request and if available, furnish such detailed information as may reasonably be required for verification of any bill.
- D. When a rate as set forth in this Tariff is shown to more than two decimal places, the charges will be determined using the rate shown. The resulting amount will then be rounded to the nearest penny (i.e., rounded to two decimal places).
- E. When more than one copy of an IC bill for services provided under the provisions of this Tariff is furnished to the IC an additional charge applies for each additional copy of the bill as set forth in 13.3.6 following.
- F. The dispute date is the date the IC or End User presents sufficient documentation to support the claim. Sufficient documentation consists of the following information, where such information is relevant to the dispute and reasonably available to the IC or End User:
1. Dedicated Access
 - a. The nature of the dispute (i.e., incorrect rate, incorrect circuit type etc.), including the basis for the IC's or End User's belief that the bill is incorrect.
 - b. The billing account number(s) assigned by the Company.
 - c. The amount of money in dispute.
 - d. The date of the bill in dispute.
 2. CCFLC SWA (Non-Usage)
 - a. The nature of the dispute (i.e., incorrect rate etc.), including the basis for the IC's belief that the bill is incorrect.
 - b. The billing account number(s) assigned by the Company.
 - c. The amount of money in dispute.
 - d. The date of the bill in dispute.

SECTION 2 - GENERAL REGULATIONS (CONT'D)**2.4 Payment Arrangements and Credit Allowances (Cont'd.)****2.4.1 Payment of Rates, Charges and Deposits (Cont'd.)****F. (Cont'd.)****3. CCFLC SWA (Usage)**

- a. The nature of the dispute (i.e., incorrect rate, incorrect minutes of use, etc.), including the basis for the IC's belief that the bill is incorrect.
 - b. The type of usage (i.e., originating or terminating).
 - c. The Company end office where the minutes of use originated or terminated (if applicable).
 - d. The number of minutes in dispute.
 - e. The billing account number(s) assigned by the Company.
 - f. The amount of money in dispute.
 - g. The date of the bill.
- G. The Company and the IC or End User shall work cooperatively to resolve the dispute. If additional information from the IC or End User would assist in resolving the dispute, the IC or End User may be requested to provide additional information relevant to the dispute and reasonably available to the IC or End User. This data may include, but is not limited to summarized usage data by time of day. The request for such additional information shall not affect the dispute date established pursuant to F preceding.
- H. For purposes of B.4, the resolution date is the date on which the Company completes the investigation of the dispute, and the Company's service representative notifies the IC or End User of the disposition and notes the IC's or End User's account or when the Company forwards the amount of credit to the customer, depending upon IC or End User preference.

SECTION 2 - GENERAL REGULATIONS (CONT'D)

2.4 Payment Arrangements and Credit Allowances (Cont'd.)

2.4.1 Payment of Rates, Charges and Deposits (Cont'd.)

- I. At the option of the IC or end user, all nonrecurring charges associated with a Standard or Negotiated Interval Access Order may be billed over a three month period subject to the following:
- 50 percent of the total nonrecurring charges will be billed in the first monthly billing period after the charges are incurred, and 25 percent of the total nonrecurring charges plus an Extended Billing Plan Charge will be billed in each of the following two monthly billing periods.
 - The Extended Billing Plan Charge is calculated at a rate of 1.0 percent per month or 12 percent annually, on the unbilled balance of the nonrecurring charges.
 - The IC or end user must request extended billing at the time the Access Service request is placed for a Standard or Negotiated Interval Access Order.
 - If the IC or end user disconnects service before the expiration of the plan period, all unbilled charges plus the Extended Billing Plan Charge, if applicable, will be included in the final bill rendered.
 - This payment arrangement is not available for Daily Program Audio (a.k.a. CCFLC SPA Program Audio).
 - If the IC or end user fails to make any of the payments on the payment due date as set forth in B.3 preceding, these late payment charges as specified in B.3.a or b preceding will apply.

SECTION 2 - GENERAL REGULATIONS (CONT'D)**2.4 Payment Arrangements and Credit Allowances (Cont'd.)****2.4.2 Minimum Periods**

- A. The minimum periods for which services are provided and for which rates and charges are applicable are set forth in Sections 5, 6 and 7 following, for CCFLC SWA and Dedicated Access services; in Section 13 following, for Scheduled Testing; and, in Section 14 following for Special Construction.
- B. The minimum period for which service is provided and for which rates and charges are applicable for a Specialized Service or Arrangement provided on an individual case basis, as set forth in Section 12 of this Tariff is one month unless a different minimum period is established with the individual case filing.
- C. When a service is discontinued prior to the expiration of the minimum period, charges are applicable for the remaining portion of the minimum period, whether the service is used or not, and will be based on the rates in effect for the service at the time of discontinuance.

2.4.3 Cancellation of an Order for Service

Provisions for the cancellation of an order for service are set forth in other applicable sections of this Tariff.

2.4.4 Credit Allowance for Service Interruptions**A. General**

A service outage is when service becomes unusable to the IC or End User because of a failure of a facility component, used to furnish service under this Tariff, or in the event that the protective controls applied by the Company result in the complete loss of service by the IC or End User as set forth in 6.5.1 of this Tariff. An outage period starts when an inoperative service is reported by the IC and ends when the service is operative.

SECTION 2 - GENERAL REGULATIONS (CONT'D)**2.4 Payment Arrangements and Credit Allowances (Cont'd.)****2.4.4 Credit Allowance for Service Interruptions (Cont'd)****B. When A Credit Allowance Applies**

In case of an outage to any service, allowance for the period of outage, if not due to the negligence of the IC or End User, shall be as follows:

1. For CCFLC SWA Dedicated Interoffice Channels, Channelization Equipment, Switched Local Channels, Dedicated Access Service, Dedicated End Office Trunk Port Service, Dedicated Tandem Trunk Port and for Fast Packet Access Services no credit shall be allowed for an outage of less than 30 minutes. The IC or End User shall be credited for an outage of 30 minutes or more at the rate of 1/1440 of the monthly charges for the facility or service for each period of 30 minutes or major fraction thereof that the outage continues.

The monthly charges used to determine the credit shall be as follows:

- a. The monthly charge shall be the total of all the monthly rate element charges associated with the service.
 1. For CCFLC SWA Transport: Switched Local Channel, CCFLC SWA Dedicated Interoffice Channel, Dedicated End Office Trunk Port Service, Dedicated Tandem Trunk Port Service, Channelization Equipment (if applicable), and any Optional Features and Functions.
 2. For Dedicated Access two-point services: two Local Channels, Interoffice Channel and Optional Features and Functions.
- b. For Dedicated Access multipoint services, the monthly charge shall be only the total of all the monthly rate element charges associated with that portion of the service that is inoperative (i.e., a local channel between the Hub and IC or End User premises and associated channel interface, interoffice channel mileage and optional features and functions.)

SECTION 2 - GENERAL REGULATIONS (CONT'D)**2.4 Payment Arrangements and Credit Allowances (Cont'd.)****2.4.4 Credit Allowance for Service Interruptions (Cont'd.)****B. When A Credit Allowance Applies (Cont'd.)****1. (Cont'd.)**

- c. For Dedicated Access channelized services, the monthly charge shall be the total of all the monthly rate element charges associated with that portion of the service that is inoperative. When the facility which is channelized or the Basic Channelization System itself is inoperative, the monthly charge shall be the total of all the monthly rate element charges associated with the service (i.e., the local channel to the Hub and its associated channel interface, interoffice channel mileage and any optional features and functions, including the Basic Channelization System, and the local channels from the Hub and their associated Central Office Channel Interfaces, channel mileages and optional features and functions). When the service which rides a channel of the channelized facility is inoperative, the monthly charge shall be the total of all the monthly rate element charges associated with that portion of the service from the Hub to IC or End User premises (i.e., local channel, Central Office Channel Interface, channel mileage and optional features and functions).
- d. For CCFLC SWA channelized services, the monthly charge shall be the total of all monthly rate element charges associated with that portion of service that is inoperative. When the facility which is channelized or the Basic Channelization System itself is inoperative, the monthly charge shall be the total of all the monthly rate element charges associated with the service (e.g., the Switched Local Channel, Switched Interoffice Channels, Channelization Equipment, including the Basic Channelization System on the facility to the Hub, if applicable).
- e. For SPA Shared Ring, the monthly charge shall be the total of all the monthly rate element charges associated with the service.
- f. For SPA Managed Shared Ring Network and Managed Shared Ring service, the monthly charge shall be the monthly charges associated with the service.

SECTION 2 - GENERAL REGULATIONS (CONT'D)**2.4 Payment Arrangements and Credit Allowances (Cont'd.)****2.4.4 Credit Allowance for Service Interruptions (Cont'd.)****B. When A Credit Allowance Applies (Cont'd.)**

2. For Program Audio Dedicated Access (a.k.a. CCFLC SPA Program Audio) services, no credit shall be allowed for an outage of less than 30 seconds. The IC or End User shall be credited for an outage of 30 seconds or more as follows:
 - a. For two-point services, when monthly rates are applicable, the credit shall be at the rate of 1/8640 of the monthly charges for the service for each period of 5 minutes or major fraction thereof that the outage continues.
 - b. For multipoint services, when monthly rates are applicable, the credit shall be at the rate of 1/8640 of the monthly charges for each connecting channel and associated channel interface, channel mileage and optional features and functions that is inoperative for each period of 5 minutes or major fraction thereof that the outage continues.
 - c. For multipoint services, the credit for the monthly charges includes the charges for the distribution amplifier only when the distribution amplifier is inoperative.
 - d. When two or more outages occur during a period of 5 consecutive minutes, such multiple outages shall be considered as one outage.
3. For CCFLC SWA service, no credit shall be allowed for an outage of less than 24 hours. The IC or End User shall be credited for an outage of 24 hours or more at the rate of 1/30 of the monthly rates or the assumed minutes of use charge, whichever is applicable to the service involved, for each period of 24 hours or major fraction thereof that the outage continues. In the case of service billed based upon actual usage, no credit allowance is applicable.
4. The credit allowance(s) for an outage or for a series of outages shall not exceed the sum of the monthly rates or the assumed minutes of use charge for the service that is out of operation in any one monthly billing period,

SECTION 2 - GENERAL REGULATIONS (CONT'D)**2.4 Payment Arrangements and Credit Allowances (Cont'd.)****2.4.4 Credit Allowance for Service Interruptions (Cont'd.)****B. When A Credit Allowance Applies (Cont'd.)**

5. For certain Dedicated Access services (Wideband Digital, WDI-4; Digital Data Access (a.k.a. CCFLC SPA DS0 Digital Data), DA1-4; and High Capacity (a.k.a. CCFLC SPA High Capacity), HC1) any period during which the error performance is below that specified for the service will be considered as an outage.
6. Service outages for Specialized Service or Arrangements provided under the provisions of Section 12 following shall be administered in the same manner as those set forth in this Section unless other regulations are specified with the individual case filing.
7. For SPA Shared Ring, a credit, in addition to the credit described in 1 preceding, failure by the Company to meet the performance guarantee described in 7.2.12.C.1 of this Tariff, will prompt a credit equal to 100 percent for affected SPA Shared Ring service rate elements. A customer request for credit will not be required. The credit will be applied through normal administrative processes and the dollar amount will be reflected on the customer's bill. The credit will apply no more than once per calendar month. This credit is in addition to those provided in 1 preceding. The combined total of the credit allowance during a month for failure to meet the performance guarantee in 7.2.12.C.1 of this Tariff and the credit for service outage contained in 1 preceding shall not exceed the monthly rate for the service.
8. For the channels used with Managed Shared Ring service or SPA Managed Shared Ring Network, failure by the Company to meet the performance guarantee described in 7.5.1 of this Tariff will prompt the credit described in that Section, The combined total of the credit allowance during a month for failure to meet the performance guarantee in 7.5.1 of this Tariff for Managed Shared Ring in 6.7.26 and 7.5.1 of this Tariff, as applicable, and the credit for service interruption contained in this section shall not exceed the monthly rate for the portion of the service affected.

SECTION 2 - GENERAL REGULATIONS (CONT'D)

2.4 Payment Arrangements and Credit Allowances (Cont'd.)

2.4.4 Credit Allowance for Service Interruptions (Cont'd.)

C. When Credit Allowance Does Not Apply

No credit allowance will be made for:

1. Interruptions caused by the negligence of the IC, end user or the IC's authorized agent
2. Interruptions of a service due to the failure of equipment or systems provided by the IC, end user or others.
3. Outages of a service during any period in which the Company is not afforded access to the premises where the service is terminated,
4. Interruptions of a service when the IC or End User has released that service to the Company for maintenance purposes, to make rearrangements, or for the implementation of an order for a change in the service during the time that was negotiated with the IC or End User prior to the release of that service. Thereafter, a credit allowance as set forth in B preceding applies.
5. Interruptions of a service which continue because of the failure of the IC or End User to authorize replacement of any element of special construction, as set forth in 14 following. The period for which no credit allowance is made begins on the seventh day after the IC or End User receives the Company's written notification of the need for such replacement and ends on the day after receipt by the Company of the IC's or End User's written authorization for such replacement.
6. Periods when the IC or End User elects not to release the service for testing and/or repair and continues to use it on an impaired basis.
7. An outage or a group of outages, resulting from a common cause, for amounts less than one dollar,
8. Interruptions of a service due to commercial power failure,
9. Interruptions of a service due to labor difficulties, governmental orders, civil commotions, criminal action against the Telephone Company, acts of God, war, or other circumstances beyond the Telephone Company's control.

SECTION 2 - GENERAL REGULATIONS (CONT'D)**2.4 Payment Arrangements and Credit Allowances (Cont'd.)****2.4.4 Credit Allowance for Service Interruptions (Cont'd.)****D. Use of an Alternative Service Provided by the Company**

Should the IC elect to use an alternative service provided by the Company during the period that a service is out of operation, the IC must pay the tariffed rates and charges for the alternative service used.

E. Temporary Surrender of a Service

In certain instances, the IC may be requested by the Company to surrender a service for purposes other than maintenance, testing or activity relating to a service order. If the IC consents, a credit allowance will be granted. The credit allowance will be 1/1440 of the monthly rate for each period of 30 minutes or fraction thereof that the service is surrendered. In no case will the credit allowance exceed the monthly rate for the service surrendered in anyone monthly billing period.

2.4.5 Provision for Gross Receipts Tax

Any IC failing to furnish to the Company the appropriate certificate, issued by the State of Florida or its appropriate agency, indicating the IC's exemption from the Florida gross receipts tax imposed by Florida Rule 12B-6.04, shall pay to the Company an amount equal to the gross receipts tax on the IC's purchase of access services from the Company.

Until the aforementioned certificate is received by the Company, the Company shall calculate the amount of tax owed by the IC and shall bill this amount to the IC. Payment of these charges by the IC shall be subject to the payment arrangements as specified in 2.4.1 preceding.

SECTION 2 - GENERAL REGULATIONS (CONT'D)**2.4 Payment Arrangements and Credit Allowances (Cont'd.)****2.4.6 Re-establishment of Service Following Fire, Flood or Other Occurrence****A. Nonrecurring Charges Do Not Apply**

Charges do not apply for the re-establishment of service following a fire, flood or other occurrence attributed to an Act of God provided that:

1. The service is of the same type as was provided prior to the fire, flood or other occurrence.
2. The service is for the same IC or End User.
3. The service is at the same location on the same premises.
4. The re-establishment of service begins within 60 days after Company service is available. (The 60 day period may be extended a reasonable period if the renovation of the original location on the premises affected is not practical within the allotted time period.)

B. Nonrecurring Charges Apply

Nonrecurring Charges apply for establishing service at a different location on the same premises or at a different premises pending re-establishment of service at the original location.

2.4.7 Title or Ownership Rights

- A. The payment of rates and charges by ICs or End Users for the services offered under the provisions of this Tariff does not assign, confer or transfer title or ownership rights to proposals or facilities developed or utilized, respectively, by the Company in the provision of such services.

2.4.8 Billing of Access Service Provided by Multiple Companies

The Company will adhere to the standards for billing of Access Service by multiple companies that are set forth in reference documents Ordering and Billing Forum: Multiple Exchange Carrier Access Billing (MECAB) and Ordering and Billing Forum: Multiple Exchange Carrier Ordering and Design (MECOD).

SECTION 2 - GENERAL REGULATIONS (CONT'D)**2.4 Payment Arrangements and Credit Allowances (Cont'd.)****2.4.8 Billing of Access Service Provided by Multiple Companies (Cont'd)****A. Feature Group A (FGA) Service**

When a Feature Group A Switched Access Service is ordered by an IC or End User where one end of the Transport element is in the Company's operating territory and the other end is in another Exchange Telephone Company's operating territory, the Exchange Telephone Company in whose territory the FGA dial-tone office is located will accept the order. In addition, the Exchange Telephone Company in whose territory the IC's or End User's serving wire center is located must also receive a copy of the order from the IC or End User. The Exchange Telephone Company that accepts the order will then determine the charges involved, arrange to provide the Access Service ordered and bill the charges in accordance with its Access Service Tariff.

Upon agreement of the Exchange Telephone Companies involved in the provision of FGA service, the dedicated portion of FGA service (i.e., Switched Dedicated Interoffice Channel, Switched Local Channel and Channelization Equipment) will be billed in accordance with the provisions of B and C following. For non-dedicated portions of FGA service, including the Interconnection charge, the rates of the billing Company will apply.

B. Single Bill Arrangements**1. General**

If agreed to by the Exchange Telephone Companies involved in the provision of the service, a single bill arrangement will be provided for FGB, FGC, FGD and the dedicated portions of FGA service. In the event that the Exchange Telephone Companies involved agree to change from one billing arrangement to another, the IC or End User will be notified at least 30 days prior to the effective date of such change.

2. Ordering

The IC shall place its access service request with each Exchange Telephone Company involved in the provision of the service.

SECTION 2 - GENERAL REGULATIONS (CONT'D)**2.4 Payment Arrangements and Credit Allowances (Cont'd.)****2.4.8 Billing of Access Service Provided by Multiple Companies (Cont'd.)****B. Single Bill Arrangements (Cont'd.)****3. Rating and Billing of Service**

The billing company will be as agreed to by the Exchange Telephone Companies involved in the provision of the service. The single bill arrangement may be provided under the following single bill alternatives if agreed to by such companies:

- a. The billing company will bill and collect all appropriate charges in accordance with the regulations, rates and charges in its Access Service Tariff, or
- b. The billing company will bill and collect all appropriate charges in accordance with the rates and charges in its access tariff, for the portion of the service it provides, and in accordance with the rates and charges of the access tariffs of the other Exchange Telephone Companies involved, for the portion of the service which they provide. The Interconnection charge of the end office Telephone Company will apply. The bill will separately identify each company's rates and charges, or
- c. The billing company will bill and collect all appropriate charges in accordance with the rates and charges in the access tariffs of the other involved Exchange Telephone Companies, as forwarded to it by such companies for the portion of the service they provide, and in accordance with the rates and charges in its own access tariff for the portion of the service it provides. The Interconnection charge of the end office Telephone Company will apply. The bill will separately identify each company's rates and charges.

For b and c preceding, the charges billed for the portion of service provided by this Company are determined as set forth in C.3.a, b and c following. For nonrecurring charges, 100 percent of this Company's charge shall apply.

SECTION 2 - GENERAL REGULATIONS (CONT'D)**2.4 Payment Arrangements and Credit Allowances (Cont'd.)****2.4.8 Billing of Access Service Provided by Multiple Companies (Cont'd.)****C. Multiple Bill Arrangements****1. General**

Separate bills will be rendered by the Exchange Telephone Companies for FGB, FGC, FGD and the dedicated portions of FGA Access Service if the administration of a single bill arrangement, as set forth in B preceding, is not agreed upon by the companies involved. In the event that the Exchange Telephone Companies involved agree to change from one billing arrangement to another, the IC or End User will be notified at least 30 days prior to the effective date of such change.

2. Ordering

The IC shall place its access service request with each Exchange Telephone Company involved in the provision of the service.

3. Rating and Billing of Service

Each company will provide its portion of the Access Service based on the regulations, rates and charges contained in its Access Service Tariff, subject to the following rules, as appropriate:

a. The charges billed by this Company for mileage sensitive rate elements, e.g., CCFLC SWA Transport and Dedicated Access Service Interoffice Channels, are determined as follows:

1. The total mileage for the service is computed using the V&H Coordinate Method set forth in NATIONAL EXCHANGE CARRIER ASSOCIATION TARIFF FCC NO.4 (NECA NO.4).
2. A billing factor is determined from NECA No.4 directly.
3. This Company's rates and charges are then multiplied by the appropriate quantity(ies) and the billing factor to obtain the charges for this Company.
An example of this methodology is shown in 4 following.

SECTION 2 - GENERAL REGULATIONS (CONT'D)**2.4 Payment Arrangements and Credit Allowances (Cont'd.)****2.4.8 Billing of Access Service Provided by Multiple Companies (Cont'd.)****C. Multiple Bill Arrangements (Cont'd.)****3. Rating and Billing of Service (Cont'd.)**

b. The application of non-distance sensitive rate elements varies according to the rate structure and the location of the facilities involved:

1. When rates and charges are listed on a per point of termination basis, this Company's rates will be billed for the termination(s) within this Company's operating territory.
2. When rates and charges are listed on a per unit basis, e.g., central office bridging or channelization, this Company's rates and charges will apply for units located in this Company's operating territory. For switched access common transport between a Company access tandem and an end office of another Company, fifty percent of this Company's Common Transport DS3 to DS1 Multiplexer rate, as set forth in 6.8.1 of this Tariff, shall apply.
3. When rates and charges are developed on an individual case basis, such rates will be developed for the portion of the service provided by this Company.
4. When rates and charges are listed on a per service basis, this Company's rates and charges are allocated based upon the ratio of points on the dedicated access circuit that a company owns, in relation to the total number of points on the circuit.

SECTION 2 - GENERAL REGULATIONS (CONT'D)

2.4 Payment Arrangements and Credit Allowances (Cont'd.)

2.4.8 Billing of Access Service Provided by Multiple Companies (Cont'd.)

C. Multiple Bill Arrangements (Cont'd.)

3. Rating and Billing of Service (Cont'd.)

b. (Cont'd.)

5. For the fixed portion of rates applicable to the mileage between central offices on Dedicated Access Service, and for the nonrecurring charges applicable to interoffice channels, fifty percent of this Company's rate will apply for each end of the interoffice channel that this Company provides.

For example:

If the interoffice channel is in a mileage band for which the appropriate rate for that band is \$11.80, and this Company provides only one end of the interoffice channel, the rate would be fifty percent of \$11.80, or \$5.90. Likewise, fifty percent of this Company's nonrecurring charge would apply when this Company provides only one end of the interoffice channel.

If this Company does not provide either end of the interoffice channel, this Company's fixed rate for mileage between central offices and this Company's nonrecurring charges for interoffice channels shall not apply.

SECTION 2 - GENERAL REGULATIONS (CONT'D)

2.4 Payment Arrangements and Credit Allowances (Cont'd.)

2.4.8 Billing of Access Service Provided by Multiple Companies (Cont'd.)

C. Multiple Bill Arrangements (Cont'd.)

3. Rating and Billing of Service (Cont'd.)

b. (Cont'd.)

6. For CCFLC SWA Dedicated Interoffice Channel Facility Termination rates, fifty percent of this Company's rate will apply for each end of the Dedicated Interoffice Channel that this Company provides.

For example:

If the CCFLC SWA Dedicated Interoffice Channel Facility Termination rate is \$15.00, and this Company provides only one end of this CCFLC SWA Dedicated Interoffice Channel, the rate would be fifty percent of \$15.00, or \$7.50.

If this Company does not provide either end of the CCFLC SWA Dedicated Interoffice Channel, this Company's CCFLC SWA Dedicated Interoffice Channel Facility Termination rate shall not apply.

7. Where this Company is the end office Company, 100 percent of this Company's Interconnection charge will apply.

- c. For nonrecurring charges, 100 percent of this Company's charge shall apply, except as specified in b. 5 preceding; provided however that for installation charges pursuant to 6.8.1.F, only fifty percent of this Company's installation charges will apply where, for trunks installations this Company owns neither the involved end office or access tandem, or for line side installations this Company does not own the Feature Group A dial tone office.

SECTION 2 - GENERAL REGULATIONS (CONT'D)

2.4 Payment Arrangements and Credit Allowances (Cont'd.)

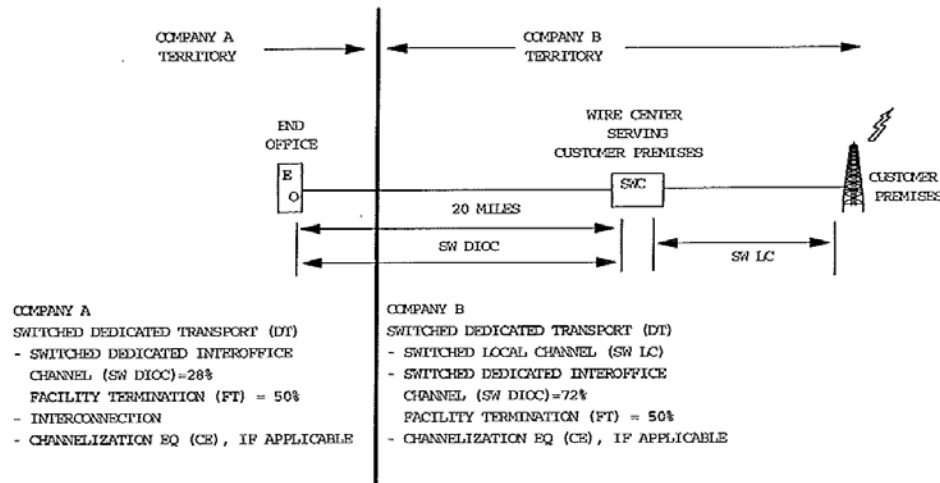
2.4.8 Billing of Access Service Provided by Multiple Companies (Cont'd.)

C. Multiple Bill Arrangements (Cont'd.)

4. Multiple Bill Example¹ for Switched Transport Rate Elements

a. Assume Switched Dedicated/Common Transport is ordered to an End Office in the operating territory of Company A. The IC premises is located in the operating territory of Company B.

1. Switched Dedicated Transport



Assume 20 miles of Switched Common Transport (CT); **20 miles of Switched Dedicated Transport (DT)**; and 8,000 minutes of use. **Further**, assume a billing factor from NECA 4 of 28% for Company A and 72% for Company B.

COMPANY A - CT	= \$.0001 per mou/per mile
- CT FT	= \$.0001 per mou
- Interconnection	= \$.002 per mou
- Interconnection \$.002 x 8,000 mou	= \$16.00
- CT 20 mi. x \$.0001 x 8,000 mou x 28%	= \$4.48
- CT FT \$.0001 x 8,000 mou x 50%	= \$.40

COMPANY A SWITCHED TRANSPORT = \$20.88

Note 1: Rates used in each example are for example purposes only **and do not include multiplexing, tandem trunk ports and end office trunk ports.**

SECTION 2 - GENERAL REGULATIONS (CONT'D)

2.4 Payment Arrangements and Credit Allowances (Cont'd.)

2.4.8 Billing of Access Service Provided by Multiple Companies (Cont'd.)

C. Multiple Bill Arrangements (Cont'd.)

4. Multiple Bill Example¹ for Switched Transport Rate Elements (Cont'd.)

a. (Cont'd.)

DT	20 mi x \$1.00 x 28%	= \$ 5.60
FT	\$25.00 x 50%	= \$12.50
INTERC.	\$.002 x 8,000 mou	= \$16.00

COMPANY A SWITCHED TRANSPORT = \$34.10

COMPANY B - DT	= \$.50 per mile
FT	= \$15.00 per month
SW LC	= \$10.00 per month

SW LC	= \$ 10.00
FT	\$15.00 x 50% = \$ 7.50
DT	20 mi x \$.50 x 72% = \$ 7.20

COMPANY B SWITCHED TRANSPORT = \$24.70

Note 1: Rates used in each example are for example purposes only

SECTION 2 - GENERAL REGULATIONS (CONT'D)

2.4 Payment Arrangements and Credit Allowances (Cont'd.)

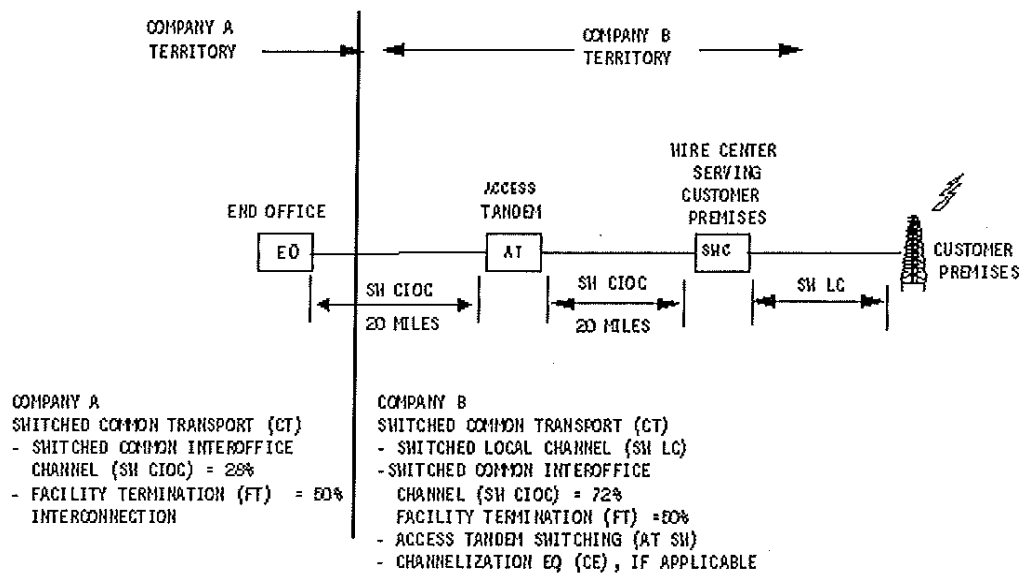
2.4.8 Billing of Access Service Provided by Multiple Companies (Cont'd.)

C. Multiple Bill Arrangements (Cont'd.)

4. Multiple Bill Example¹ for Switched Transport Rate Elements (Cont'd.)

a. (Cont'd.)

2. Switched Common Transport



Assume 20 miles of Switched Common Transport (CT); 20 miles of Switched Dedicated Transport (DT); and 8,000 minutes of use. Further, assume a billing factor from NECA 4 of 28% for Company A and 72% for Company B.

COMPANY A - CT	= \$.0001 per mou/per mile
- CT FT	= \$.0001 per mou
- Interconnection	= \$.002 per mou
- Interconnection \$.002 x 8,000 mou	= \$16.00
- CT 20 mi. x \$.0001 x 8,000 mou x 28%	= \$4.48
- CT FT \$.0001 x 8,000 mou x 50%	= \$.40

COMPANY A SWITCHED TRANSPORT = \$20.88

Note 1: Rates used in each example are for example purposes only and do not include multiplexing, tandem trunk ports and end office trunk ports.

SECTION 2 - GENERAL REGULATIONS (CONT'D)

2.4 Payment Arrangements and Credit Allowances (Cont'd.)

2.4.8 Billing of Access Service Provided by Multiple Companies (Cont'd.)

C. Multiple Bill Arrangements (Cont'd.)

4. Multiple Bill Example¹ for Switched Transport Rate Elements (Cont'd.)

a. (Cont'd.)

2. Switched Common Transport (Cont'd.)

COMPANY B - CT	= \$.0003 per mou/per mile
CT FT	= \$.0001 per mou
AT Switching	= \$.00005 per mou
SWLC	= \$10.00
DT	= \$2.00 per mile
DT FT	= \$30.00 per month
SWLC	= \$10.00
AT SW \$.00005 x 8,000 mou	= \$.40
CT 20 mi. x \$.0001 x 8,000 mou x 72%	= \$11.52
CT FT \$.0001 x 8,000 mou x 50%	= \$.40
DT 20 mi. x \$2.00	= \$40.00
DT FT	= \$30.00
COMPANY B SWITCHED TRANSPORT	= \$92.32

Note 1: Rates used in each example are for example purposes only

SECTION 2 - GENERAL REGULATIONS (CONT'D)**2.4 Payment Arrangements and Credit Allowances (Cont'd.)****2.4.9 Optional Payment Plan****A. Channel Services Payment Plan****1. General**

- a. The regulations specified herein are applicable to Dedicated Access Services as indicated in Section 7 of this Tariff
- b. Facilities furnished under the Channel Services Payment Plan (CSPP) are subject to all general regulations applicable to the provision of service by the Company as stated elsewhere in this Tariff except as noted herein.
- c. The CSPP is a payment plan which allows customers to pay fixed rates for channel equipment and/or facilities over variable contractual payment periods. A specific monthly rate applies for the duration of each period as follows, or as specified otherwise in this Tariff.
 1. 36 month Term Payment Plan - payment periods may be selected from 24 months to 48 months in length, at 36 month rates and charges.
 2. 60 month Term Payment Plan - payment periods may be selected from 49 months to 72 months in length, at 60 month rates and charges.
 3. 84 month Term Payment Plan - payment periods may be selected from 73 months to 96 months in length, at 84 month rates and charges.
- d. When the customer extends service beyond a 96 month service period, the 84 month Term Payment Plan (or the longest available tariffed service period) rates will apply.
- e. When the customer orders service to be provided under a CSPP arrangement, the customer must designate to the Company the payment plan and the service period desired, e.g. 84 month Term Payment Plan and 96 months.

SECTION 2 - GENERAL REGULATIONS (CONT'D)**2.4 Payment Arrangements and Credit Allowances (Cont'd.)****2.4.9 Optional Payment Plan (Cont'd.)****A. Channel Services Payment Plan (Cont'd.)****2. Application of Rates and Charges**

- a. Rates stabilized under a CSPP arrangement are exempt from Company-initiated increases. However, decreases for any rate element will automatically flow through to the customer.
- b. In the event that all or any part of a service is disconnected at customer request prior to expiration of any selected payment period of greater than one month's duration, the customer will be required to pay a termination charge as stated in that service's section of this Tariff.
- c. When customers renew or change the length of their payment period, the rates applicable for the new period are those currently in effect at the time of the renewal or change in the length of the payment period.
- d. Recurring rates and nonrecurring charges apply according to the appropriate schedules for services offered as associated items to Channel Services, and are filed elsewhere in this Tariff.
- e. Customer requests for inside moves of service will not affect the contract period.
- f. A change in jurisdiction will not constitute a disconnect of service provided the new CSPP arrangement is a minimum 24 month service period or equals/exceeds the remaining service period, whichever is greater, provided the new CSPP arrangement is for the same customer at the same location for the same capacity service.

SECTION 2 - GENERAL REGULATIONS (CONT'D)**2.4 Payment Arrangements and Credit Allowances (Cont'd.)****2.4.9 Optional Payment Plan (Cont'd.)****A. Channel Services Payment Plan (Cont'd.)****3. Additions**

- a. Additions of services or rate elements for activating spare or unused capacities of a service under a CSPP arrangement will be considered part of the existing CSPP arrangement.
- b. Additions of services or rate elements, i.e. new local channels, interoffice channels, etc., other than for activating spare or unused capacities, must be under a new CSPP arrangement at rates and charges, as specified in 2 preceding.
- c. Termination charges for premature disconnection of added contractual services will apply as set forth under Disconnects as stated in 4 following.
- d. Additions under CSPP are exempt from Company initiated rate changes for all payment periods longer than one month. However, decreases for any rate element will automatically flow through to the customer.
- e. Nonrecurring charges, as specified in this Tariff, will apply to the added channel services.

4. Disconnects

- a. When a service or rate element, included under a CSPP arrangement, is disconnected prior to expiration of the selected service period, termination liability charges apply as set forth in the rate regulations in this Tariff for such service. Remaining services or rate elements will not be affected by such disconnections.

SECTION 2 - GENERAL REGULATIONS (CONT'D)

2.4 Payment Arrangements and Credit Allowances (Cont'd.)

2.4.9 Optional Payment Plan (Cont'd.)

A. Channel Services Payment Plan (Cont'd.)

4. Disconnects (Cont'd)

b. When a tariffed service under a CSPP arrangement is disconnected prior to the expiration of a selected service period as a result of a change of Tariff jurisdiction and/or a customer requested change to a higher order of a separately tariffed service, termination liability charges will not apply when:

- the completed service period is twelve months, or twenty-five percent of the length of the originally selected service period, whichever is greater, and
- the service period of the new CSPP arrangement for the higher order of service is a minimum 24 month service period or equals/exceeds the remaining service period of the disconnected arrangement, whichever is greater, and
- the service orders to install the new higher order of service and disconnect the old service are related together and there is no lapse in service between installation of the higher order of service and disconnection of the existing service, and
- the service orders are for the same customer at the same location

For the purposes of determining a higher order of service, the following ranking will be used (Analog Voice Grade a.k.a. SPA DS0 VG) = lowest, Channels for use with Managed Shared Ring service or SPA Managed Shared Ring Network) = Highest):

Analog Voice Grade (a.k.a. CCFLC SPA DS0 VG) Services

DS0 (a.k.a. SPA DS0 Digital Data) Services

DSI High Capacity (a.k.a. SPA DS1) Service

SPA Shared Ring

Channels for use with Managed Shared Ring service or SPA Managed Shared Ring Network)

SECTION 2 - GENERAL REGULATIONS (CONT'D)**2.4 Payment Arrangements and Credit Allowances (Cont'd.)****2.4.9 Optional Payment Plan (Cont'd.)****A. Channel Services Payment Plan (Cont'd.)****5. Moves of Equipment**

- a. The appropriate nonrecurring charges for inside moves for items associated with channel services as specified in this and other Tariffs are applicable. This type movement will not affect the contract period.
- b. Customer requests for moves of service(s) under CSPP, other than inside moves, will be subject to the conditions stated in 11 following.

6. Requests for Changes in Length of Optional Payment Period

- a. Subsequent to the establishment of a contract with a CSPP period, and prior to the completion of that period, the existing payment period may be replaced by:
 1. A currently offered payment period at the current rates, with a length equal to or longer than the time remaining in the existing service agreement, subject to the following conditions:
 - No credit will be given for payments made during the formerly selected period.
 - The new payment period begins with the new CSPP effective date.
 - No termination charge applies for the remaining portion of the former payment period.
 - Nonrecurring charges will not be reapplied.
 2. A currently offered payment period at the current rates, with a length shorter than the time remaining in the existing service agreement, subject to the following conditions:
 - No credit will be given for payments made during the formerly selected period.
 - The new payment period begins with the new CSPP effective date.
 - A termination charge applies for the remaining portion of former payment period.
 - Nonrecurring charges will not be reapplied.

SECTION 2 - GENERAL REGULATIONS (CONT'D)**2.4 Payment Arrangements and Credit Allowances (Cont'd.)****2.4.9 Optional Payment Plan (Cont'd.)****A. Channel Services Payment Plan (Cont'd.)****7. Renewal Options****a. The customer has the following renewal options:**

1. Prior to completion of the current payment period, any period available under the CSPP may be selected at the rates in effect for new customers at the time of the renewal. The customer will be charged the current rate for the newly selected payment period, commencing the day following completion of the prior payment period.
2. Service may be continued on a month-to-month basis at the current rate for the one-month payment period, unless otherwise specified in this Tariff. The customer has no additional service commitment and, consequently, when service is terminated will not be subject to any termination charge. The one month service will be subject to Company-initiated rate adjustments when approved by the appropriate regulatory authority.
3. If the customer does not elect an additional payment period or does not request discontinuance of service, service will be continued at the monthly rate currently in effect for the month-to-month payment rate, under the terms specified in 2 preceding.

b. Any new services added to a customer's network at the time of renewal will be subject to all appropriate nonrecurring charges. Nonrecurring charges are not applicable for services renewed under the CSPP.

c. The Company may discontinue or change any or all renewal options with approval of the appropriate regulatory authority.

d. When a customer renews a CSPP arrangement, the rates and charges in effect on the first day of service of the renewal will apply.

SECTION 2 - GENERAL REGULATIONS (CONT'D)**2.4 Payment Arrangements and Credit Allowances (Cont'd.)****2.4.9 Optional Payment Plan (Cont'd.)****A. Channel Services Payment Plan (Cont'd.)****7. Renewal Options (Cont'd.)**

- e. Recognition of previous service will be given to customers who renew an existing CSPP arrangement for the same or larger system(s) and all associated rate elements at the same location(s), provided that the length of the new CSPP arrangement is a minimum 24 month service period or equals/exceeds the remaining service period of the original CSPP arrangement, whichever is greater. An example of a larger system is the renewal of an Analog Voice Grade (a.k.a. CCFLC SPA DS0 VG) service with a DS1 High Capacity (a.k.a. CCFLC SPA DS1) service.
- f. Recognition of previous service will be given to month-to-month customers with a service date of January 1, 1994 or later who convert to a CSPP arrangement provided the minimum service period has been met. For customers whose service date is January 1, 1994 or earlier, recognition will be given for the previous service back to January 1, 1994. For customers whose service date is later than January 1, 1994, recognition for the previous service will be given back to the actual service date.
- g. To determine the appropriate CSPP Payment Plan for the renewed arrangement, recognition of service will consist of the sum of months in service of the completed service arrangement and the sum of the months of the proposed service period of the CSPP arrangement. For example, a CSPP arrangement for a 36-month service period under the 36 month Term Payment Plan is renewed for 24 months with no changes at the end of the 36 month period. The sum of months for the completed and proposed service periods would equal 60 months and would be billed under the 60 month Term Payment Plan. Another example is a Month-to-Month customer, in service for 15 months, who wishes to convert to a 60-month CSPP arrangement with no changes. The combined service period of the Month-to-Month arrangement and the CSPP arrangement is equal to 75 months, which would be billed under the 84 month Term Payment Plan.

SECTION 2 - GENERAL REGULATIONS (CONT'D)**2.4 Payment Arrangements and Credit Allowances (Cont'd.)****2.4.9 Optional Payment Plan (Cont'd.)****A. Channel Services Payment Plan (Cont'd.)****8. Transfer of Service**

- a. Service may be transferred to a new customer at the same location upon prior written concurrence by the new customer as specified in this Tariff. This does not constitute a disconnect of service or a discontinuance of an existing CSPP arrangement. The new customer will be subject to all provisions and equipment configurations currently in effect for the previous customer. Regulations concerning transfer of service between subscribers as stated in other sections of this Tariff also apply under CSPP.

9. Prepayment

- a. For payment periods longer than one month, the customer may prepay the total outstanding recurring monthly rates. The prepayment of monthly rates in no way constitutes a purchase and the Company retains full ownership of all services covered by the prepayment. The following conditions apply:
 1. Customers who prepay six months or more will have an allowance applied. The prepayment factor to be used for each month prepaid will be revised periodically by the Company.
 2. Monthly rates for all services covered by a single Letter of Election must be prepaid. Monthly rates must be prepaid for services added subsequently and placed on the same Letter of Election (i.e., customer-elected coterminous option) with a prepaid system.
 3. Customers who change the length of a prepaid payment period will be credited any unused portion of the prepayment, subject to termination charges as specified in 4 preceding.
 4. Customers who prematurely disconnect will have termination charges deducted from the prepaid amount and any balance credited to their bill.

SECTION 2 - GENERAL REGULATIONS (CONT'D)**2.4 Payment Arrangements and Credit Allowances (Cont'd.)****2.4.9 Optional Payment Plan (Cont'd.)****A. Channel Services Payment Plan (Cont'd.)****10. Exception to Termination Liability For State, County, and Municipal Governments**

a. In the event that all or any part of the service is disconnected, at customer request prior to expiration of any selected payment period of greater than one month's duration, the customer will be required to pay a termination charge as stated in the service tariffs. The Tariffs provisions concerning termination liability for recurring charges only shall be inapplicable to any state, county or municipal governmental entity when there is in effect, as a result of action by such entity and through a duly constituted legislative, administrative body:

1. a statute;
2. an ordinance;
3. a policy directive; or
4. a constitutional provision which restricts or prohibits an additional contractual payment for early termination of a contract by any such entity, or agency thereof, due to an unavailability of funding. When service is being provided and funding to the governmental entity for such service becomes unavailable, the governmental entity may cancel the service without additional payment obligation. Provided, however, that if the governmental entity cancels the service for any reason other than the unavailability of funds, the termination liability provisions in the Tariff shall apply.

11. Reserved for Future Use

SECTION 2 - GENERAL REGULATIONS (CONT'D)**2.4 Payment Arrangements and Credit Allowances (Cont'd.)****2.4.9 Optional Payment Plan (Cont'd.)****A. Channel Services Payment Plan (Cont'd.)****12. Moves of Service(s) under CSPP**

Termination Liability Charges will not apply to customer requests for moves of service under CSPP from one location to another location subject to the following:

- a. The original and new premises locations must be in Company territory within the same state.
- b. The move from the original location to the new location must be completed within thirty days of the original premises disconnect date.
- c. No lapse in billing will occur for moves of service under CSPP.
- d. Orders to disconnect the existing service and reestablish it at the new location must be related.
- e. Any local channels, interoffice channels, and/or optional features and functions from the original location that are not reestablished at the new location will be subject to applicable Termination Liability charges.
- f. Any additions made at the new location will be treated as coterminous additions in accordance with 3 preceding.
- g. All regulations and charges for changes made to the service coincident to the move shall apply.
- h. All appropriate nonrecurring charges for moves of service under CSPP as specified elsewhere in this Tariff will apply.
- i. Moves of services that involve a change of jurisdiction, e.g., intraLATA to interstate, will not be treated as a disconnect of service with regard to Termination Liability charge application. The customer must subscribe to a payment arrangement offered in the appropriate tariff which is a minimum 24-month service period or equals/exceeds the remaining contract period, whichever is greater.

SECTION 2 - GENERAL REGULATIONS (CONT'D)**2.4 Payment Arrangements and Credit Allowances (Cont'd.)****2.4.9 Optional Payment Plan (Cont'd.)****B. Fast Packet Services Payment Plan****1. General**

- a. The regulations specified herein are applicable only to specific Fast Packet Access Services as indicated in the rate regulations for such services in Section 1 following.
- b. The terms of this Fast Packet Services Payment Plan (SPP) apply to such specific Fast Packet Services except as noted in the rate regulations for the given service.
- c. The Fast Packet SPP allows customers to pay stabilized monthly rates for fixed service periods selected by the customer. The two payment plans offered are as follows:
 1. Term Payment Plan A - service periods may be selected from 12 months to 24 months in length.
 2. Term Payment Plan B - service periods may be selected from 25 months to 48 months in length.
- d. When the customer renews a Fast Packet SPP arrangement under 2.4.9.B.7.d following and the sum of months is greater than the number of months for which the services is available under a Fast Packet SPP, the current rates for the longest payment plan available for that service will apply. For example, when the customer extends XACDS (a.k.a. CCFLC Exchange Access Connection Data Service) beyond 48 months, Payment Plan B rates will apply.
- e. When the customer orders service to be provided under a Fast Packet SPP arrangement, the customer must designate to the Company the payment plan and the service period desired, e.g., Plan Band 36 months.
- f. Rates stabilized under a Fast Packet SPP arrangement are exempt from Company initiated increases, however, decreases to any rate element will automatically flow through to the customer.

SECTION 2 - GENERAL REGULATIONS (CONT'D)**2.4 Payment Arrangements and Credit Allowances (Cont'd.)****2.4.9 Optional Payment Plan (Cont'd.)****B. Fast Packet Services Payment Plan (Cont'd.)****2. Application of Rates and Charges**

- a. The rates and charges applicable are those in effect as set forth in the rate regulations of this tariff for the particular Fast Packet Access Service involved as of the Application Date, provided that the actual service date does not exceed the later of the following.
 1. the Service Date under a standard service interval, or
 2. the earliest date on which service can reasonably be made available to the customer by the Company.
- b. If the Customer desires a service date later than as provided in A preceding, the rates and charges in effect at the time of the actual service date are applicable.
- c. The customer will be required to pay a Termination Liability Charge in the event that all or any part of a service is disconnected at the customer's request prior to expiration of any selected payment period of greater than one month's duration except as specified in 2.4.9.B.4 following.
- d. The Termination Liability Charge is determined by multiplying the number of months remaining in the contract payment period by the contracted monthly rate by 90 percent.
 1. For example, a customer subscribes to a Fast Packet Transport Service using Term Payment Plan A and selects the 18-month payment period. After 12 months the customer chooses to terminate service. The Termination Liability Charge is calculated by multiplying 6 months (18 months - 12 months) by the monthly rate by 90 percent.

SECTION 2 - GENERAL REGULATIONS (CONT'D)

2.4 Payment Arrangements and Credit Allowances (Cont'd.)

2.4.9 Optional Payment Plan (Cont'd.)

B. Fast Packet Services Payment Plan (Cont'd.)

3. Additions

- a. Additions of services or rate elements (e.g., Network Interfaces) must be under a new Fast Packet SPP arrangement at rates and charges as specified in 2.4.9.B.2 preceding.
- b. Termination charges for premature disconnection of added contractual services will apply as set forth under Disconnects in 2.4.9.B.4 following.
- c. Additions under Fast Packet SPP are exempt from Company-initiated rate changes for all payment periods longer than one month. However, decreases for any rate element will automatically flow through to the customer.

4. Disconnects

- a. When a service or rate element, included under a Fast Packet SPP arrangement, is disconnected prior to expiration of the selected service period, Termination Liability Charges apply as set forth in 2.4.9.B.2 preceding except as specifically stated otherwise in 2.4.9.B.4.b following. Remaining services or rate elements will not be affected by such disconnections.

SECTION 2 - GENERAL REGULATIONS (CONT'D)**2.4 Payment Arrangements and Credit Allowances (Cont'd.)****2.4.9 Optional Payment Plan (Cont'd.)****B. Fast Packet Services Payment Plan (Cont'd.)****4. Disconnects (Cont'd.)**

b. When a tariffed service under a Fast Packet SPP arrangement is disconnected prior to the expiration of a selected service period as a result of a customer requested change at the same location to either another speed of the same tariffed service or to another Fast Packet Access Service under an Optional Payment Plan, termination liability charges will not apply when:

1. The completed service period is a minimum of 6 months, and
2. The service period of the new Optional Payment Plan arrangement for the newly selected service is equal to or longer than the remaining service period of the disconnected arrangement, and
3. The newly selected service is a transmission speed that is either higher than the old service, or is a transmission speed that is the next lower transmission speed from the old service, and
4. The service orders to install the newly selected service and disconnect the old service are related together and received by the Telephone Company at the same time, and there is no lapse in service between installation of the newly selected service and disconnection of the existing service.

Nonrecurring charges apply for the installation of the newly requested service, Termination liability charges may apply for changes to associated Special Access Services under an Optional Payment Plan as set forth in tariffs regulating those services.

SECTION 2 - GENERAL REGULATIONS (CONT'D)**2.4 Payment Arrangements and Credit Allowances (Cont'd.)****2.4.9 Optional Payment Plan (Cont'd.)****B. Fast Packet Services Payment Plan (Cont'd.)****5. Moves of Service Under Fast Packet SPP**

- a. Termination Liability Charges will not apply to customer requests for moves of service under Fast Packet SPP from one location to another location subject to the following:
 1. The original and new premises locations must be in Company territory within the same state,
 2. The move from the original location to the new location must be completed within thirty days of the original premises disconnect date.
 3. No lapse in billing will occur for moves of service under Fast Packet SPP,
 4. Orders to disconnect the existing service and re-establish it at the new location must be related together and received by the Company at the same time.
 5. Any rate elements (i.e., Network Interfaces) from the original location that are not re-established at the new location will be subject to applicable Termination Liability Charges.
 6. Any additions made at the new location will be treated as coterminous additions in accordance with 2.4.9.B.3 preceding.
 7. All regulations and charges for changes made to the service coincident to that move shall apply.
 8. Moves of service that involve a change of jurisdiction (e.g., interstate to intrastate) will not be treated as a disconnect of service with regard to Termination Liability Charge application. The customer must subscribe to a payment arrangement offered in the appropriate intrastate tariff which is equal to or greater than the remaining contract period.

SECTION 2 - GENERAL REGULATIONS (CONT'D)**2.4 Payment Arrangements and Credit Allowances (Cont'd.)****2.4.9 Optional Payment Plan (Cont'd.)****B. Fast Packet Services Payment Plan (Cont'd.)****6. Requests for Changes in Length of Optional Payment Period**

a. Subsequent to the establishment of a Fast Packet SPP arrangement and prior to the completion of the selected service period for that arrangement, the Fast Packet SPP arrangement may be replaced by a new Fast Packet SPP arrangement at rates and charges in effect on the first day of service under the new Fast Packet SPP arrangement, subject to the following conditions:

1. No credit will be given for payments made under the original Fast Packet SPP arrangement except for credits allowed in E2.4.9.9.A, following.
2. The service period selected for the new Fast Packet SPP arrangement begins on the new Fast Packet SPP effective date but not later than the expiration date of the Fast Packet SPP being replaced.
3. Nonrecurring charges will not be reapplied for existing services.
4. If the new Fast Packet SPP arrangement has a service period shorter in length than the time remaining under the service period for the existing Fast Packet SPP arrangement, the change to the new Fast Packet SPP constitutes a disconnection of the existing Fast Packet SPP arrangement for which Termination Liability Charges apply,

SECTION 2 - GENERAL REGULATIONS (CONT'D)

2.4 Payment Arrangements and Credit Allowances (Cont'd.)

2.4.9 Optional Payment Plan (Cont'd.)

B. Fast Packet Services Payment Plan (Cont'd.)

7. Renewal Options

- a. When a service period under an existing Fast Packet SPP arrangement is completed, the customer may select a new Fast Packet SPP arrangement at rates and charges in effect on the first day of service under the new Fast Packet SPP arrangement, continue service under the month-to-month rates, or discontinue service with no Termination Liability Charge. If the customer does not elect to either discontinue service or continue service under a new Fast Packet SPP arrangement, service will be continued under month-to-month rates.
- b. Any new rate elements added to a customer's network or changes to existing services at the time of renewal will be subject to all appropriate nonrecurring charges.
- c. When a customer renews a Fast Packet SPP arrangement, the rates and charges in effect on the first day of service of the renewal will apply.
- d. Recognition of previous service will be given to customers who renew an existing Fast Packet SPP arrangement, for all associated rate elements at the same location(s), provided that the length of the new Fast Packet SPP arrangement is equal to or greater than the remaining service period of the original Fast Packet SPP arrangement.
- e. Recognition of previous service back to the actual service date will be given to month-to-month customers who convert to a Fast Packet SPP arrangement.

SECTION 2 - GENERAL REGULATIONS (CONT'D)**2.4 Payment Arrangements and Credit Allowances (Cont'd.)****2.4.9 Optional Payment Plan (Cont'd.)****B. Fast Packet Services Payment Plan (Cont'd.)****7. Renewal Options (Cont'd.)**

- f. To determine the appropriate Fast Packet SPP Payment Plan for the renewed arrangement, recognition of service will consist of the sum of months in service of the completed service arrangement and the sum of the months of the proposed service period of the Fast Packet SPP arrangement. For example, a Fast Packet SPP arrangement for a 24-month service period under Term Payment Plan A is renewed for 16 months with no changes at the end of the 24-month period. The sum of months for the completed and proposed service periods would equal 40 months and would be billed under Term Payment Plan B.

Another example is a month-to-month customer, in service for 15 months, who wishes to convert to a 24-month Fast Packet SPP arrangement with no changes. The combined service period of the Month-to-Month arrangement and the Fast Packet SPP arrangement is equal to 39 months which would be billed under Payment Plan B.

8. Transfer of Service

- a. Service transferred to a new customer at the same location in accordance with 2.1.2 preceding does not constitute a disconnect of service or a discontinuance of an existing Fast Packet SPP arrangement.

SECTION 2 - GENERAL REGULATIONS (CONT'D)**2.4 Payment Arrangements and Credit Allowances (Cont'd.)****2.4.9 Optional Payment Plan (Cont'd.)****B. Fast Packet Services Payment Plan (Cont'd.)****9. Prepayment**

a. Upon entering into a Fast Packet SPP arrangement, the customer may prepay the outstanding recurring monthly rates in whole or in part for all rate elements included in the Fast Packet SPP arrangement. The Company retains full ownership of services in accordance with 2.4.7 preceding. The following conditions apply:

1. A prepayment allowance will be applied to the amount prepaid for each given month equal to 0.6666% per month compounded monthly for the number of months the payment is advanced.
2. The customer may elect the percentage of the monthly rates to be prepaid, provided however, the same percentage shall apply to all rate elements included in the Fast Packet SPP arrangement for all months remaining in the service period.
3. The same prepayment percentage will apply in the event the customer adds services to an existing Fast Packet SPP arrangement subsequent to the establishment of the service.
4. When the customer who has prepaid recurring monthly rates replaces the existing Fast Packet SPP arrangement with a new Fast Packet SPP arrangement, the customer will be credited with that portion of the prepayment amount, representing a prepayment of the monthly recurring rates remaining in the existing Fast Packet SPP arrangement.
5. Customers who prematurely disconnect will have Termination Liability Charges deducted from the unused prepaid balance. The remaining prepaid balance, if any, will be credited to their bill.

SECTION 2 - GENERAL REGULATIONS (CONT'D)**2.4 Payment Arrangements and Credit Allowances (Cont'd.)****2.4.9 Optional Payment Plan (Cont'd.)****C. Transport Payment Plan (TPP)****1. General**

- a. The regulations and terms specified herein are applicable only to Dedicated Ring and/or Metro Ethernet access services as indicated in the rate regulations in Sections 6 and 7 of this Tariff.
- b. The TPP allows customers to pay stabilized monthly rates for fixed service periods selected by the customer. The three payment plans offered are as follows:
 1. Payment Plan A, service periods may be selected from 12 months to 36 months in length.
 2. Payment Plan B, service periods may be selected from 37 months to 60 months in length,
 3. Payment Plan C, service periods may be selected from 61 months to 96 months in length.
- c. For conversions to the TPP arrangement, the number of months under the TPP arrangement must equal or exceed the number of months remaining under the CSPP arrangement.
- d. Termination liability charges and nonrecurring charges will not apply when a CSPP customer converts to a TPP arrangement.
- e. When the customer renews a TPP arrangement and the sum of months in service added to the new contract period is greater than the number of months for which the service is available under a TPP, the current Payment Plan C rates will apply.
- f. When the customer orders service to be provided under a TPP arrangement, the customer must designate to the Telephone Company the payment plan desired.
- g. Rates stabilized under a TPP arrangement are exempt from Telephone Company initiated increases, however, decreases for any rate element will automatically be reflected in the rates charged to the customer.
- h. Conversions of SPA Point to Point Network and/or Dedicated Ring TPP arrangements to a higher order of CSPP service are allowed.

SECTION 2 - GENERAL REGULATIONS (CONT'D)

2.4 Payment Arrangements and Credit Allowances (Cont'd.)

2.4.9 Optional Payment Plan (Cont'd.)

C. Transport Payment Plan (TPP) (Cont'd.)

2. Application of Rates

- a. The stabilized monthly recurring rates as set forth in Sections 6 and 7 of this Tariff are set as of the Application Date for dedicated ring service and/or Metro Ethernet service, provided that the actual service date does not exceed the latter of the following:
1. the Service Date under a standard service interval, or
 2. the earliest date by which service can be made available to the customer by the Telephone Company.
- b. If the customer desires a service date later than as provided in a. preceding, the stabilized monthly recurring rates in effect on the service date are applicable.

3. Additions

- a. Additions of services or rate elements, to existing Dedicated Ring systems, to activate spare or unused capacities, must be activated under the same rate plan as the existing TPP arrangement. Dedicated Ring interfaces must be activated as set forth in Sections 6 and 7 of this Tariff.

SECTION 2 - GENERAL REGULATIONS (CONT'D)**2.4 Payment Arrangements and Credit Allowances (Cont'd.)****2.4.9 Optional Payment Plan (Cont'd.)****C. Transport Payment Plan (TPP) (Cont'd.)****4. Disconnects**

- a. Except as provided in b through f following, when a dedicated Ring service and/or CCFLC Metro Ethernet service rate element is disconnected prior to being in service for a 12-month period, (e.g., the minimum term for a Plan A TPP), the termination liability charge will be derived by multiplying the difference in rates between the current month-to-month rate and the rate for the TPP arrangement selected. For example, a customer subscribes to a TPP for 24 months (Plan A) and terminates service after 10 months: The termination liability charge will be applied by multiplying the number of months in service (10) by the difference between the month-to-month and Plan A monthly rates. With the exception of Renewal Options in 7 following, a four month minimum service period for Dedicated Ring and/or Metro Ethernet service TPP customers will be applicable and all month-to-month regulations will be applicable.

When a Dedicated Ring and/or Metro Ethernet service TPP customer disconnects a rate element prior to the 12 month TPP minimum, all current month-to-month nonrecurring charges associated with the Dedicated Ring and/or Metro Ethernet service ring level rate elements will apply.

Dedicated Ring service ring level rate elements are defined as following: Local Channel, Interoffice Channel, Internodal Channel, Alternate Central Office Channel, Customer Node and Central Office Node.

SECTION 2 - GENERAL REGULATIONS (CONT'D)**2.4 Payment Arrangements and Credit Allowances (Cont'd.)****2.4.9 Optional Payment Plan (Cont'd.)****C. Transport Payment Plan (TPP) (Cont'd.)****4. Disconnects (Cont'd.)**

- b. Except as provided in c through f following, when a Dedicated Ring and/or Metro Ethernet service TPP customer disconnects services or rate elements prior to the minimum number of months for the plan period selected, termination liability charges will apply. The termination liability charge will be derived at the time of disconnection by taking the difference between the rate for the TPP period for which the customer subscribed, and the rate for the TPP period that the customer's completed service would otherwise qualify, and multiplying the difference by the number of months service the customer completed under a TPP. For example, a customer subscribes to a TPP for 73 months (Plan C) and terminates service after 20 months (Plan A). The termination liability charge will be applied by multiplying the number of months in service (20) by the difference between the Plan A and Plan C monthly rates. When a Dedicated Ring and/or Metro Ethernet service customer disconnects service after the minimum number of months for the TPP arrangement selected but prior to the actual expiration date of the TPP arrangement, termination liability charges do not apply.
- c. When a TPP arrangement is disconnected prior to the expiration of a plan period due to a customer requested change to a higher order of service at the same location, or to expand or upgrade an existing service, termination liability charges will not apply when:
 1. the customer has completed at least 6 months of the originally selected TPP service period, and
 2. the service period of the new arrangement for the new service is equal to or longer than the remaining service period of the disconnected arrangement, and

SECTION 2 - GENERAL REGULATIONS (CONT'D)**2.4 Payment Arrangements and Credit Allowances (Cont'd.)****2.4.9 Optional Payment Plan (Cont'd.)****C. Transport Payment Plan (TPP) (Cont'd.)****4. Disconnects (Cont'd.)****c. (cont'd)**

- 3.** the service orders to install the new service and disconnect the old service are related together and received by the Telephone Company at the same time, and there is no lapse in service between installation of the higher order of service and disconnection of the existing service.
- d.** A termination liability charge will not apply to disconnects of channel interfaces associated with SPA Point to Point Network and/or Dedicated Ring services.
- e.** Disconnects, moves, or rearrangements involving the removal of the following Dedicated Ring rate elements, local channel, interoffice channel, customer node and central office node, to allow the placement of additional nodes and channels for existing customers where the total number of nodes does not decrease, will not be subject to termination liability charges.
- f.** A change of jurisdiction from interstate to intrastate service constitutes a disconnection of service for which termination charges are applicable. However, if such service continues between the same serving locations, and the customer enters into a new TPP arrangement in the intrastate jurisdiction for the same or larger service capacity and associated rate elements for a service period equal to or greater than the service period remaining under the interstate TPP arrangement, no interstate termination liability charge will be applicable,

SECTION 2 - GENERAL REGULATIONS (CONT'D)**2.4 Payment Arrangements and Credit Allowances (Cont'd.)****2.4.9 Optional Payment Plan (Cont'd.)****C. Transport Payment Plan (TPP) (Cont'd.)****5. Moves of Service Under TPP**

- a. Moves to a different building will be treated as a discontinuance and start of service and all associated nonrecurring charges will apply as stated in 7.4,5 except as provided in c following, A four month minimum service period must be satisfied for all service rate elements serving the original building location,
- b. Moves of service within the same building will not constitute a disconnection of service for purposes of the application of termination liability charges, Current month-to-month nonrecurring charges specified in 7.4.5 are applicable,
- c. Termination Liability Charges will not apply to customer requests for moves of service to a different building subject to the following conditions:
 1. The move from the original location to the new location must be completed within thirty days of the original premises disconnect date, For SPA Point to Point Network systems, the new customer premises must be served by the same serving wire center as the original location.
 2. No lapse in billing will occur for moves of service under a TPP arrangement.
 3. Orders to disconnect the existing service and reestablish it at the new location must be related together and received by the Telephone Company at the same time.
 4. Any additions made at the new location will be handled in accordance with 3 preceding.
 5. All regulations and charges for changes made to the service coincident with the move will apply.
 6. All appropriate nonrecurring charges for moves of service as specified in 7.4. 5 preceding will apply.

Any rate elements or quantities for local channels, interoffice channels, and/or optional features and functions from the original location that are not reestablished at the new location will be subject to applicable Termination Liability Charges.

SECTION 2 - GENERAL REGULATIONS (CONT'D)**2.4 Payment Arrangements and Credit Allowances (Cont'd.)****2.4.9 Optional Payment Plan (Cont'd.)****C. Transport Payment Plan (TPP) (Cont'd.)****6. Requests for Changes in Length of Service Period**

- a. Subsequent to the establishment of a TPP arrangement, and prior to the completion of the selected service period for that arrangement, the TPP arrangement may be replaced by a new TPP arrangement at rates and charges in effect on the first day of service under the new TPP arrangement, subject to the following conditions:

1. No credit will be given for payments made under the original TPP arrangement, except for credits allowed under 10.a following.
2. The service period selected for the new TPP arrangement begins on the new TPP effective date but not later than the expiration date of the TPP being replaced.
3. Nonrecurring charges do not apply for existing services.
4. If the new TPP arrangement has a service period shorter in length than the time remaining under the service period for the existing TPP arrangement, the change to the new TPP arrangement constitutes a disconnection of the existing TPP arrangement for which termination liability charges apply.

7. Renewal Options (Cont'd.)

- a. When a service period under an existing CSPP or TPP arrangement is completed, the customer may select a new TPP arrangement at rates and charges in effect on the first day of service under the new TPP arrangement, continue service under the month-to-month rates, or discontinue service with no termination liability charge. If the customer does not elect to either discontinue service or continue service under a new TPP arrangement, service will be continued under month-to-month rates. The TPP customer of record will have a 60-day grace period after which current month-to-month rates will apply. The stabilized monthly recurring rates as set forth in Section 7 of this Tariff remain in effect during the 60-day grace period.

SECTION 2 - GENERAL REGULATIONS (CONT'D)**2.4 Payment Arrangements and Credit Allowances (Cont'd.)****2.4.9 Optional Payment Plan (Cont'd.)****C. Transport Payment Plan (TPP) (Cont'd.)****7. Renewal Options (Cont'd.)**

- b. Any new services added to a customer's network or changes to existing services at the time of renewal will be subject to all appropriate nonrecurring charges and four month minimum service period requirements.
- c. When a customer renews a TPP arrangement, the rates and charges in effect on the first day of service of the renewal will apply.
- d. To determine the appropriate TPP Payment Plan for the renewed arrangement, recognition of service will consist of the sum of months in service of the completed service arrangement and the sum of months of the proposed service period of the TPP arrangement.
- e. Recognition of previous service will be given to customers who renew an existing TPP arrangement, for the same or larger system(s) and all associated rate elements at the same location(s), provided that the length of the new TPP arrangement is equal to or greater than the remaining service period of the original TPP arrangement. Recognition for satisfying the four month service period will be given for renewals of the same size systems, rings, and all associated rate elements. Conversion to larger systems and rings will incur new four month minimum service requirements.
- f. Recognition of previous service will be given to month-to-month customers who convert to a TPP arrangement, for the same or larger system(s) and all associated rate elements at the same location(s), provided the four month minimum service period for that service has been met.
- g. Recognition of previous service will be given to TPP customers who convert from CSPP arrangements provided the customer is the original customer of record at the time of transfer.

SECTION 2 - GENERAL REGULATIONS (CONT'D)**2.4 Payment Arrangements and Credit Allowances (Cont'd.)****2.4.9 Optional Payment Plan (Cont'd.)****C. Transport Payment Plan (TPP) (Cont'd.)****7. Renewal Options (Cont'd.)**

- h. When an existing Dedicated Ring and/or Metro Ethernet service customer has completed the selected TPP commitment period and the service reverts to month-to-month service, only the month-to-month service will receive recognition for determining the appropriate TPP arrangement or any subsequent TPP arrangement.

8. Transfer of Service

- a. Service transferred to a new customer at the same location in accordance with 2.1.2 preceding does not constitute a disconnect of service or a discontinuance of an existing TPP arrangement.

9. Prepayment

- a. Upon entering into a TPP arrangement, the customer may prepay the outstanding recurring monthly rates in whole or in part for all rate elements included in the TPP arrangement. The following conditions apply:
 - 1. A prepayment allowance will be applied to the amount prepaid for each given month equal to 0.6666 percent per month compounded monthly for the number of months the payment is advanced.
 - 2. The customer may elect the percentage of the monthly rates to be prepaid, provided however, the same percentage shall apply to all rate elements included in the TPP arrangement for all months remaining in the service period.
 - 3. This same prepayment percentage will apply in the event the customer adds services to an existing TPP arrangement subsequent to the establishment of the service.

SECTION 2 - GENERAL REGULATIONS (CONT'D)**2.4 Payment Arrangements and Credit Allowances (Cont'd.)****2.4.9 Optional Payment Plan (Cont'd.)****C. Transport Payment Plan (TPP) (Cont'd.)****8. Transfer of Service**

- a. Service transferred to a new customer at the same location in accordance with 2.1.2 preceding does not constitute a disconnect of service or a discontinuance of an existing TPP arrangement.

9. Prepayment (Cont'd)

- a.
 4. When a customer who has prepaid recurring monthly rates replaces the existing IPP arrangement with a new TPP arrangement, the customer will be credited with that portion of the prepayment amount, representing a prepayment of the monthly recurring rates remaining in the existing IPP arrangement.
 5. Customers who disconnect service and incur termination liability charges, such charges shall be deducted from the unused prepaid balance. The remaining prepaid balance, if any, will be credited to their bill.

2.4.10 Service Installation Guarantee

- A. The Company assures that orders for services to which the Service Installation Guarantee applies will be installed and available for customer use no later than the Service Date as specified in 5.2.4.B following. The Service Installation Guarantee is applicable only as specified in 6.7.1.A and 7 A.1.A.
- B. The failure of the Company to meet this commitment will result in the credit of an amount equal to the nonrecurring charges associated with the individual service having the missed Service Date being applied to the customer's bill. The credit will include only nonrecurring charges associated with the services specified in 6.7.1.A and 7.4.I.A. The nonrecurring charges will be credited at the rate at which they were billed. The credit will not be provided if a credit of the same nonrecurring charge for the same service is provided under any other provisions of this Tariff.

SECTION 2 - GENERAL REGULATIONS (CONT'D)

2.4 Payment Arrangements and Credit Allowances (Cont'd.)

2.4.10 Service Installation Guarantee (Cont'd)

- C. For Commercial Quality Video service (a.k.a. CCFLC SPA Commercial Quality Video) which is jointly provided by this Telephone Company and one or more other local exchange companies, the Service Installation Guarantee is applicable only for those portions of the Commercial Quality Video service (a.k.a. CCFLC SPA Commercial Quality Video) within this Telephone Company's serving territory) and only if the failure to meet the commitment is the fault of this Telephone Company.
- D. For Dedicated Ring service, the Service Installation Guarantee is applicable for all channel interface rate elements. Dedicated Ring ring level rate elements are excluded from the Service Installation Guarantee. Dedicated Ring ring level rate elements are defined as follows: Local Channel, Interoffice Channel, Internodal Channel, Alternate Central Office Channel, Customer Node and Central Office Node.
- E. Service Installation Guarantees do not apply:
1. when failure to meet the Service Date occurs because of:
 - a. any act or omission, which shall include an accurate and complete service order, from this customer, any other customer or any third party, or of any other entity providing a portion of a service.
 - b. labor difficulties, governmental orders, civil commotions, criminal actions against the Company, acts of God, war, or other circumstances beyond the Company's control.
 - c. unavailability of the customer's facilities and/or equipment.
 2. to service requiring Special Construction as set forth in Section 14 following.
 3. to Specialized Service or Arrangements or Individual Case Basis filings.
 4. for jointly provisioned services.
 5. to CCFLC SWA or Dedicated Access installation, moves and arrangements of service with an agreed upon service date interval of four business days or less following the Application Date of the service order.

In addition, Service Installation Guarantees will not apply during a declared National Emergency. Priority installation of National Security Emergency Preparedness (NSEP) telecommunications services shall take precedence.

SECTION 2 - GENERAL REGULATIONS (CONT'D)**2.4 Payment Arrangements and Credit Allowances (Cont'd.)****2.4.11 Commitment Guarantee Program****A. General**

1. The Commitment Guarantee Program will provide a credit to end users should the Company fail to meet its commitment in connection with installation or repair of service(s) provided via Company facilities. The term "Commitment" denotes an undertaking by the Company to install or repair service(s) as agreed to by the Company.
2. The failure of the Company to meet its commitment will result in a credit being applied to the end user's bill, when contact is initiated by the end user, unless an exception is applicable.
3. Where a service is jointly provided with another Local Exchange Carrier (LEC), the guarantee is applicable only to installation or repair commitments made to end users by the Company. This guarantee is not applicable to commitments made by other LECs, regardless of their concurrence in this Tariff.

B. Application

1. In the event Company contact is initiated by the end user, in reference to the provisions of A preceding, the Company will arrange for a credit of \$100.00 on an end user's account for the missed commitment, unless an exception is applicable. The credit will be applied against the total amount due on the end user's bill.
2. One credit will apply, under the provisions of 1 preceding, per end user commitment missed.
3. More than one attempt to invoke the guarantee, for the same commitment and end user, will be disallowed.
4. The credit will apply in addition to waivers, promotions, or other guarantees in effect at the time of the missed commitment unless specifically excluded.
5. The guarantee is applicable to services provided in this Tariff except as noted in C following.
6. Receipt of a credit under the provisions of 1 through 5 preceding will have no effect on recurring rates, nonrecurring charges, or minimum service periods according to the appropriate schedules for services filed elsewhere in this Tariff.
7. Credits issued to an end user's account, in excess of the total monthly rate in anyone monthly billing period, may be applied to the following monthly billing period.

SECTION 2 - GENERAL REGULATIONS (CONT'D)**2.4 Payment Arrangements and Credit Allowances (Cont'd.)****2.4.11 Commitment Guarantee Program (Cont'd.)****B. Application (Cont'd)**

8. When service is terminated, any credit due will be applied to the final amount due the Company.
9. The program may be suspended by the Company during or following a natural disaster.

C. Exceptions

The Commitment Guarantee Program credit will not apply to:

1. commitments missed as a result of action initiated by, or information omitted by, the end user, any other end user, or any third party,
2. maintenance requests resulting from:
 - a. interruptions of service due to the failure of equipment or systems provided by others.
 - b. interruptions of a service where the Company is not afforded access to the premises where the service is terminated.
 - c. interruptions of a service which continue because of the failure of the end user to authorize replacement of any element of Special Construction, as set forth in this tariff following.
 - d. negligence, or a willful act by the end user, or
 - e. suspension of service for non-payment of charges.
3. commitments missed during or as a result of labor difficulties, governmental orders, civil commotion, criminal actions against the Company, natural or man-made disasters, war, general network failures, a declared national emergency, or any other circumstances beyond the control and/or knowledge of the Company.
4. service(s) provided in conjunction with disaster relief.
5. CCFLC SWA service in Section 6 following, or
6. Interexchange Carrier services.

2.5 Connections**2.5.1 General**

- A. Equipment and Systems (i.e., terminal equipment, multiline terminating systems and communications systems) may be connected with CCFLC SWA and Dedicated Access Services furnished by the Company where such connection is made in accordance with the provisions specified in Technical Reference Publication AS No. 1 and in 2.1 preceding.

SECTION 2 - GENERAL REGULATIONS (CONT'D)**2.6 Definitions****ACCESS CODE**

The term "Access Code" denotes a uniform five or seven digit code assigned by the Company to an individual IC. The five digit code has the form 10XXX and the seven digit code has the form 101XXXX, 950-0XXX or 950-1XXX.

ACCESS MINUTES

The term "Access Minutes" denotes that usage of exchange facilities in Intrastate service for the from the time the originating End User's call is delivered by the Company to and acknowledged as received by the IC's facilities connected with the originating exchange. On the terminating end of an intrastate call, usage is measured from the time the call is received by the End User in the terminating exchange. Timing of usage at both originating and terminating ends of an intrastate call shall terminate when the calling or called party disconnects, whichever event is recognized first in the originating and terminating end exchanges, as applicable.

ACCESS ORDER

The term "Access Order" denotes a request for service received by the Company from an IC or End User or End User's authorized agent.

ACCESS TANDEM

The term "Access Tandem" denotes a Company switching system that provides a concentration and distribution function for originating or terminating traffic between end offices and an IC's terminal locations.

ACCESS TANDEM NETWORK

The term "Access Tandem Network" denotes the network of trunk groups for originating and/or terminating CCFLC SWA traffic between a single access tandem and Company subtending end offices.

ACCESS TANDEM SWITCHING

Access Tandem Switching denotes a rate element which provides for switching an IC's traffic through the Access Tandem to the Company's end office switch(es).

ACTUAL COST

The term "Actual Cost" denotes all costs charged against a specific case of special construction, including any appropriate taxes.

ALTERNATE CENTRAL OFFICE

The term "Alternate Central Office" denotes a wire center other than the serving wire center of the location of a customer node associated with Dedicated Ring service.

SECTION 2 - GENERAL REGULATIONS (CONT'D)**2.6 Definitions (Cont'd.)****ALTERNATIVE LOCAL EXCHANGE COMPANY (ALEC)**

The term "Alternative Local Exchange Company or ALEC" denotes a land line telephone company, other than the Company, authorized by the Florida Public Service Commission to provide local exchange service within the Company's operating area in Florida.

ANSWER/DISCONNECT SUPERVISION

The term "Answer/Disconnect Supervision" denotes the transmission of the switch trunk equipment supervisory signal (off-hook or on-hook) to the IC's point of termination as an indication that the called party has answered or disconnected.

ASSUMED AVERAGE ACCESS MINUTES

The term "Assumed Average Access Minutes" denotes the usage that will be billed each month to ICs for CCFLC SWA FGA and CCFLC SWA FGB access arrangements served from Company serving end offices where recorded minutes of use are not available.

ATM

The term Asynchronous Transfer Mode (ATM) denotes one of the general class of packet switching technologies that relay traffic via an address contained within the packet (referred to in ATM as cells). ATM is a switching method in which information does not occur periodically with respect to some reference such as a frame pattern.

ATM CELL

The term ATM cell denotes the fixed length packets utilized in ATM cell-based switching services. An ATM cell is 53 bytes long, consisting of a five-byte header containing the address and a fixed 48-byte information field.

ATM CELL-BASED SWITCHING

The term ATM cell-based switching denotes the transfer of fixed length ATM cells as opposed to variable length frames used in other packet switching technologies.

ATTENUATION DISTORTION

The term "Attenuation Distortion" denotes the difference in loss at specified frequencies relative to the loss at 1004 Hz, unless otherwise specified.

AVERAGE BUSINESS DAY (ABD)

The term "Average Business Day" denotes 8:00 A.M. to 5:00 P.M., Monday through Friday, excluding national holidays. For trunk measurement and provisioning, Saturdays and Sundays may be substituted for a weekday when the measured traffic load for the Saturday or Sunday consistently exceeds the traffic load for the least loaded weekday.

SECTION 2 - GENERAL REGULATIONS (CONT'D)

2.6 Definitions (Cont'd.)

BALANCE (100 TYPE) TEST LINE

The term "Balance (100 Type) Test Line" denotes an arrangement in an end office which provides for balance and noise testing.

BIT

The term "Bit" denotes the smallest unit of information in the binary system of notation.

BIPOLAR WITH 8 ZERO SUBSTITUTION (B8ZS)

The term "Bipolar with 8 Zero Substitution" (B8ZS) denotes a line code which allows transport of an all zero octet over a DS1/1.544 Mbps High Capacity channel. B8ZS enables Clear Channel Capability on DS1/1.544 Mbps High Capacity service.

BRIDGING WIRE CENTER

The term "Bridging Wire Center" denotes the Company designated wire center in which bridging is accomplished.

BUSINESS DAY

The term "Business Day" denotes the times of day that a company is open for business. Generally, in the business community, these are 8:00 or 9:00 A.M. to 5:00 or 6:00 P.M., respectively, with an hour for lunch, Monday through Friday, resulting in a standard forty (40) hour work week. Due to the possibility of variations in Business Day hours based on company policy, union contract and location, verification of the hours should be made via contact with the specific company location involved.

CALL

The term "Call" denotes a communication including an off-hook signal and routing information, initiated by an IC or End User (calling party) and completed to a CCFLC End User (called party) or to an IC terminal location or in the case of CCFLC SWA 8XX Toll Free Dialing Ten Digit Screening service when the address code is provided to the office performing the translation or screening function.

CARRIER IDENTIFICATION CODE (CIC)

The term "Carrier Identification Code" (CIC) denotes a unique three or four digit access identification code that is assigned to an IC for use with CCFLC SWA FGB and/or CCFLC SWA FGD service.

CARRIER OR COMMON CARRIER

See Interexchange Carrier

SECTION 2 - GENERAL REGULATIONS (CONT'D)**2.6 Definitions (Cont'd.)****CCFLC**

When "CCFLC" is used in this Tariff, it refers to Consolidated Communications of Florida Company (CCFLC) d/b/a Consolidated Communications/GTC.

CCFLC SPA

When CCFLC SPA is used in this tariff, it refers to special access services provided by CCFLC.

CCFLC SWA

When CCFLC SWA is used in this tariff, it refers to switched access services provided by CCFLC.

CCFLC SWA COMMON TRANSPORT

The term "CCFLC SWA Common Transport" denotes the transmission of the customer's switched access traffic between the Access Tandem and the end office, between the CCFLC SWA FGA dial tone office and the end office (for terminating traffic) and, between the end office which serves as the host office for a remote switching system or module (RSS or RSM) and the RSS or RSM.

CCFLC SWA DEDICATED TRANSPORT

The term "CCFLC SWA Dedicated Transport" denotes the transmission of the customer's switched access traffic utilizing dedicated facilities between the customer's serving wire center (SWC) and customer designated points, i.e., SWC to a Company Facility Hub (Hub), SWC to an Access Tandem, SWC to a customer designated end office, Hub to an Access Tandem, Hub to Hub, and Hub to an end office.

CCFLC SWA FGD SIGNALING

The term "CCFLC SWA FGD Signaling" denotes the signaling system which is used, by equal access end offices, to transmit originating information and address digits to the customer's premises. Features of this system include overlap out pulsing, identification of the type of call, identification of the ten-digit telephone number of the calling party, and acknowledgment wink supervisory signals.

CCFLC WATS SERVING OFFICE

The term "CCFLC SWA WATS Serving Office" denotes a telephone company designated serving wire center where switching, screening and/or recording functions are performed in connection with the closed-end of CCFLC SWA WATS or CCFLC SWA WATS-type services.

CCS

The term "CCS" denotes a hundred call seconds which is a standard unit of traffic load that is equal to 100 seconds of usage or capacity of a group of servers (e.g., trunks).

SECTION 2 - GENERAL REGULATIONS (CONT'D)**2.6 Definitions (Cont'd.)****CCS7 SIGNALING CONNECTION**

The CCS7 Signaling Connection provides a 56 kbps facility dedicated to a single customer which originates at the customer's signaling point of interconnection in a LATA and terminates at a Company Signaling Transfer Point (STP) selected by the Company. This facility, connecting the customer to a CCFLC STP, is ordered to a Company FSPOI within the same LATA as the customer's signaling point of interconnection.

CCS7 SIGNALING TERMINATION

The CCS7 Signaling Termination provides a dedicated point of interface at a Company STP for a customer's CCS7 Signaling Connection.

CCS7 ACCESS ARRANGEMENT USAGE

CCS7 Access Arrangement Usage refers to messages traversing the Company's CCS7 Signaling network for call set-up (ISUP) and non-call set-up (TCAP) purposes.

CENTRAL OFFICE

The term "Central Office" denotes a local Company switching system where Telephone Exchange Service customer station loops are terminated for purposes of interconnection to each other and to trunks.

CENTRAL OFFICE PREFIX

The term "Central Office Prefix" denotes the first three digits (NXX) of the seven digit telephone number assigned to an End User's Telephone Exchange Service when dialed on a local basis.

CENTRALIZED AUTOMATIC REPORTING ON TRUNKS (CAROT) TESTING

The term "Centralized Automatic Reporting on Trunks (CAROT) Testing" denotes a type of testing which includes the capacity for measuring operational and transmission parameters.

CHANNEL(S)

The term "Channel(s)" denotes an electrical or photonic, in the case of fiber optic based transmission systems, communications path between two or more points of termination.

CHANNEL SERVICE UNIT

The term "Channel Service Unit" denotes equipment which performs one or more of the following functions: termination of a digital facility, regeneration of digital signals, detection and/or correction of signal format errors and remote loop back.

CHANNELIZATION EQUIPMENT

Equipment which provides individual channels of voice and/or data of a higher capacity to a lower capacity or bandwidth or vice versa.

SECTION 2 - GENERAL REGULATIONS (CONT'D)**2.6 Definitions (Cont'd.)****CHANNELIZE**

The term "Channelize" denotes the process of multiplexing-demultiplexing wider bandwidth or higher speed channels into narrower bandwidth or lower speed channels and vice versa.

CHARGEABLE CALL

See Access Minutes.

CLEAR CHANNEL CAPABILITY

The term "Clear Channel Capability" denotes the ability to transport twenty-four, 64 Kbps channels over a 1.544 Mbps High Capacity service via B8ZS line code format.

C-MESSAGE NOISE

The term "C-Message Noise" denotes the frequency weighted average noise within an idle voice channel. The frequency weighting, called C-message, is used to simulate the frequency characteristic of the 500-type telephone set and the hearing of the average subscriber.

C-NOTCHED NOISE

The term "C-Notched Noise" denotes the C-message frequency weighted noise on a voice channel with a holding tone, which is removed at the measuring end through a notch (very narrow band) filter.

COMMERCIAL RADIO MOBILE SERVICE (CMRS) PROVIDERS

The term "Commercial Radio Mobile Service (CMRS) Providers" denotes carriers which are regulated under Part 22 of the Federal Communications Commission's Rules and Regulations.

COMMITMENT GUARANTEE

The term "Commitment Guarantee" denotes a program under which the Company will provide a credit to the end user's account, under conditions set forth in 2.4.16 preceding, for certain services in those instances when the Company's installation or repair commitment is not met due to Company reasons.

COMMON LINE

The term "Common Line" denotes a line, trunk, pay telephone line or other facility provided under the General Subscriber Service Tariff of the Company, terminated on a central office switch. A common line-residence is a line or trunk provided under the residence regulations of the General Subscriber Service Tariff. A common line-business is a line provided under the business regulations of the General Subscriber Service Tariff.

COMMUNICATIONS SYSTEM

The term "Communications System" denotes channels and other facilities, which are capable of communications between terminal equipment provided by other than the Company.

SECTION 2 - GENERAL REGULATIONS (CONT'D)**2.6 Definitions (Cont'd.)****COMPANY**

Whenever used in this Tariff or its headings, "Company" refers to Consolidated Communications of Florida Company (CCFLC) d/b/a Consolidated Communications/GTC unless the context clearly indicates otherwise.

CONDUIT SPACE

The term "Conduit Space" denotes any reinforced passage or opening in, on, under/over or through the ground between the feeder route conduit system (entry point) and cable vault location capable of containing communications facilities, and includes: cable entrance facilities; main conduit; ducts; inner ducts; gas traps; underground dips such as short sections of conduit under roadway, driveways, parking lots and similar conduit installations; required to bring the collocater-provided fiber optic feeder cable into the Company central office.

CUSTOMER(S)

The term "Customer(s)" denotes any individual, partnership, association, joint-stock company, trust, corporation, or governmental entity or other entity which subscribes to the services offered under this Tariff, including both Interexchange Carriers (ICs) and End Users except in Section 6., Providers (ESPs), End Users for CCFLC SWA FGA FX/ONAL service, and 500 Service

CUSTOMER LOCATION

The term "Customer Location" denotes a carrier's premises within the Local Access Transport Area (LATA).

DATA TRANSMISSION (107 TYPE) TEST LINE

The term "Data Transmission (107 Type) Test Line" denotes an arrangement which provides for a connection to a signal source which provides test signals for one-way testing of data and voice transmission parameters.

DECIBEL (dB)

The term "Decibel" denotes a unit used to express relative difference in power, usually between acoustic or electric signals, equal to ten (10) times the common logarithm of the ratio of two signal powers.

DECIBEL REFERENCE NOISE C-MESSAGE WEIGHTING

The term "Decibel Reference Noise C-Message Weighting" denotes noise power measurements with C-Message Weighting in decibels relative to a reference 1000 Hz tone of 90 dB below 1 milliwatt.

DECIBEL REFERENCE NOISE C-MESSAGE REFERENCED TO 0

The term "Decibel Reference Noise C-Message Referenced to 0" denotes noise power in "Decibel Reference Noise C-Message Weighting" referred to or measured at a zero transmission level point.

SECTION 2 - GENERAL REGULATIONS (CONT'D)**2.6 Definitions (Cont'd.)****DETAIL BILLING**

The term "Detail Billing" denotes the listing of each message and/or rate element for which charges to an IC or End User are due on a bill prepared by the Company,

DS0

This denotes a channel service expressed in terms of its digitally encoded data bit rate in accordance with the North American hierarchy of digital signal levels. It is generally referred to as having a 64 Kbps transmission data rate signal; however, customer transmitted bit rates are limited to 56 Kbps. The required format and interface specifications are contained in Technical Reference TR-NPL-000341.

DS1

This denotes a channel service expressed in terms of its digitally encoded data bit rate in accordance with the North American hierarchy of digital signal levels. It has a 1.544 Mbps transmission data rate, and provides for the two-way simultaneous transmission of isochronous timed, Bipolar Return-to-Zero (BPRZ) bit stream format. Unframed signal formats are not permitted or compatible with Company equipment. The required format and interface specifications are contained in Technical Reference TR-NPL-000054.

DUAL TONE MULTIFREQUENCY ADDRESS SIGNALING

The term "Dual Tone Multifrequency Address Signaling" denotes a type of signaling that is an optional feature of CCFLC SWA FGA. It may be utilized when CCFLC SWA FGA is being used in the terminating direction (from the point of interface with the IC to the local exchange end office). An office arranged for Dual Tone Multifrequency Signaling would expect to receive address signals from the IC in the form of Dual Tone Multifrequency signals.

ECHO CONTROL - The term "Echo Control" denotes the control of reflected signals in a telephone transmission path.

ECHO PATH LOSS (EPL) - The term "Echo Path Loss" denotes the measure of reflected signal at a 4-wire point of termination without regard to the send and receive Transmission Level Point (TLP).

ECHO RETURN LOSS (ERL) - The term "Echo Return Loss" denotes a frequency weighted measure of return loss over the middle of the voiceband (approximately 500 to 2500 Hz), where talker echo is most annoying.

SECTION 2 - GENERAL REGULATIONS (CONT'D)**2.6 Definitions (Cont'd.)****EFFECTIVE 2-WIRE**

The term "Effective 2-Wire" denotes a condition which permits the simultaneous transmission in both directions over a channel, but it is not possible to insure independent information transmission in both directions. Effective 2-wire channels may be terminated with 2-wire or 4-wire interfaces.

EFFECTIVE 4-WIRE

The term "Effective 4-Wire" denotes a condition which permits the simultaneous independent transmission of information in both directions over a channel. The method of implementing effective 4-wire transmission is at the discretion of the Company (physical, time domain, frequency-domain separation or echo cancellation techniques). Effective 4-wire channels may be terminated with a 2-wire interface at the customer premises. However, when terminated 2-wire, simultaneous independent transmission cannot be supported, because the 2-wire interface combines the transmission paths into a single path.

EGRESS CIRCUITS - The term "Egress Circuits" denotes the facility used to transport the customer's dialed CCFLC Remote Access Service traffic to the customer's designated location once it has been collected and aggregated by the remote access server.

END OFFICE SWITCH - The term "End Office Switch" denotes a local Company switching system where Telephone Exchange Service customer station loops are terminated for purposes of interconnection to trunks. Included are Remote Switching Modules and Remote Switching Systems served by host office in a different wire center.

END USER

The term "End User" denotes any individual, partnership, association, corporation, governmental agency or any other entity which (A) obtains a common line, uses a pay telephone or obtains intrastate service arrangements in the operating territory of the Company or (B) subscribes to intrastate service(s) provided by an IC or uses the services of the IC when the IC provides intrastate service(s) for its own use or (C) subscribes to intrastate CCFLC SWA FGB service for its own use.

ENHANCED SERVICE PROVIDER (ESP)

An ESP provides enhanced and/or information services which are defined as those services offered over the Company's common carrier facilities and which employ computer processing applications that: act on the format, content, code, protocol, or similar aspects of the end user's transmitted information; provide the end user additional, different, or restructured information; or involve end user interaction with stored information.

SECTION 2 - GENERAL REGULATIONS (CONT'D)**2.6 Definitions (Cont'd.)****ENTRY POINT**

The term "Entry Point" denotes the physical entrance into the central office and/or central office vault. Not all central offices have a central office vault. Multiple entry points are more than one physical entrance into the central office and/or central office vault. Normally, multiple entry points will be distinct and/or separate conduit systems.

ENTRY SWITCH

See First Point of Switching.

ENVELOPE DELAY DISTORTION

The term "Envelope Delay Distortion" denotes a measure of the linearity of the phase versus frequency of a channel.

EQUAL ACCESS EXCHANGE AREAS (EAEA)

The term "Equal Access Exchange Areas" (EAEA) denotes geographic areas, configured based on 1987 planned toll center/access tandem areas, in which local exchange telephone companies are responsible for providing equal access to both interexchange carriers and the customers of interexchange carriers in the most economically efficient manner.

EQUAL LEVEL ECHO PATH LOSS (ELEPL)

The term "Equal Level Echo Path Loss" (ELEPL) denotes the measure of Echo Path Loss (EPL) at a 4-wire interface which is corrected by the difference between the send and receive Transmission Level Path (TLP). (ELEPL = EPL - TLP (send) + TLP (receive)).

EXCHANGE

The term "Exchange" denotes a unit, generally smaller than a Local Access and Transport Area, established by the Company for the administration of communications service in a specified area which usually embraces a city, town or village and its environs. It consists of one or more central offices together with the associated facilities used in furnishing communications service within that area. One or more designated exchanges comprise a given Local Access and Transport Area.

EXPECTED MEASURED LOSS (EML)

The term "Expected Measured Loss" denotes a calculated loss which specifies the end-to-end 1004-Hz loss on a terminated test connection between two readily accessible manual or remote test points. It is the sum of the inserted connection loss and test access loss including any test pads.

EXTENDED SUPERFRAME FORMAT (ESF)

The term "Extended Superframe Format" specifies a twenty-four-frame repeating pattern for the framing and information bits contained in a DS1/1.544 Mbps bit stream. The required format specifications are contained in TR-NPL-000054.

SECTION 2 - GENERAL REGULATIONS (CONT'D)**2.6 Definitions (Cont'd.)****FACILITY SIGNALING POINT OF INTERCONNECTION (FSPOI)**

The term FSPOI denotes a Company-designated ordering point within a Company LATA to which customers may order CCS7 Signaling Connections.

FEDERAL OBSERVED HOLIDAY

The term "Federal Observed Holiday" denotes public holidays for Federal employees as established by Federal Law (5 U.S.C. 6103).

FIELD IDENTIFIER

The term "Field Identifier" denotes two to four characters that are used on service orders to convey specific instructions. Field Identifiers may or may not have associated data. Selected Field Identifiers are used in Company billing systems to generate non-recurring charges.

FIRST POINT OF SWITCHING (FP OF S)

The term "First Point of Switching" denotes the first Company location at which switching occurs on the terminating path of a call proceeding from the IC premises to the terminating end office and, at the same time, the last Company location at which switching occurs on the originating path of a call proceeding from the originating end office to the IC premises.

FREQUENCY SHIFT

The term "Frequency Shift" denotes the change in the frequency of a tone as it is transmitted over a channel.

GRANDFATHERED

The term "Grandfathered" denotes Terminal Equipment, Multiline Terminating Systems and Protective Circuitry directly connected to the facilities utilized to provide services under the provisions of this Tariff: and which are considered grandfathered under Part 68 of the FCC Rules and Regulations.

HOST OFFICE

The term "Host Office" denotes an electronic switching system, which provides call processing capabilities for one or more Remote Switching Modules or Remote Switching Systems (RSM or RSS).

HUB

The term "Hub" denotes a Company designated location at which services are either joined together (as in a bridging hub) or where services are channelized (as in a Hi-Capacity hub).

SECTION 2 - GENERAL REGULATIONS (CONT'D)**2.6 Definitions (Cont'd.)****IC TERMINAL LOCATION**

The term "IC Terminal Location" denotes a location within a LATA (point of Presence) from which the IC (1) provides and/or administers telecommunications services for its own use or for the use of its customers (End Users) and (2) has the capability of testing the facilities operated or terminated at that location.

IMMEDIATELY AVAILABLE FUNDS

The term "Immediately Available Fund" denotes a corporate or personal check drawn on a bank account and funds which are available for use by the receiving party on the same day on which they are received and include U.S. Federal Reserve bank wire transfers, U.S. Federal Reserve notes (paper cash), U.S. coins, U.S. Postal Money Orders and New York Certificates of Deposit.

IMPEDANCE BALANCE

The term "Impedance Balance" denotes the method of expressing Echo Return Loss and Singing Return Loss at a four-wire interface whereby the gains and/or losses of the four-wire portion of the transmission path, including the hybrid, are not included in the specification.

INGRESS CIRCUITS

The term "Ingress Circuits" denotes the facility used to transport the customer's incoming dialed CCFLC Remote Access Service traffic, e.g. Primary Rate ISDN.

IMPULSE NOISE

The term "Impulse Noise" denotes any momentary occurrence of the noise on a channel over a specified level threshold. It is evaluated by counting the number of occurrences, which exceed the threshold.

INDIVIDUAL CASE BASIS (ICB)

The term "Individual Case Basis" denotes a condition in which the regulations, if applicable, rates and charges for an offering under the provisions of this Tariff are developed based on the circumstances in each case.

INSERTED CONNECTION LOSS

The term "Inserted Connection Loss" denotes the 1004 Hz power difference (in dBs) between the maximum power available at the originating end and the actual power reaching the terminating end through the inserted connection.

INTEGRATED SERVICES DIGITAL NETWORK USER PART (ISDNUP)

An SS7 protocol which provides internetwork signaling to support circuit control, ISDN access signaling and specialized subscriber facilities.

SECTION 2 - GENERAL REGULATIONS (CONT'D)**2.6 Definitions (Cont'd.)****INTERCONNECTION**

Interconnection denotes the several Interconnection rate elements that apply to CCFLC SWA minutes of use. Separate rate elements are applicable for originating and terminating minutes of use. Additionally, separate rate elements are applicable when the IC utilizes Company-provided transport facilities versus those service applications where there are no Company transport facilities utilized.

INTEREXCHANGE CARRIER(S) (IC)

The term "Interexchange Carrier(s)" denotes any individual, partnership, corporation, association, joint-stock Company, governmental entity, or any other entity, which subscribes to the services offered under this Tariff and is authorized by the Florida Public Service Commission by policy statement or certification to provide intrastate telecommunications services for its own use or for the use of its customers.

INTERMODULATION DISTORTION

The term "Intermodulation Distortion" denotes a measure of the nonlinearity of a channel. It is measured using 4 tones, and evaluating the ratios (in dBs) of the transmitted composite 4-tone signal power to the second-order products of the tones (R2), and the third-order products of the tones (R3).

INTRASTATE COMMUNICATIONS

The term "Intrastate Communications" denotes any communications in Florida subject to oversight by the Florida Public Service Commission as provided by the laws of the State.

LINE CONTROLLED PAY STATIONS

The term "Line Controlled Pay Stations" denotes line controlled pay stations utilizing Telephone Company serving central office equipment for the necessary call processing features required for pay telephone traffic.

LINE SIDE CONNECTION

The term "Line Side Connection" denotes a connection of a transmission path to the line side of a local exchange switching system.

LOCAL ACCESS AND TRANSPORT AREA (LATA)

The term "Local Access and Transport Area" denotes a geographic area established for the provision and administration of communications service. It encompasses one or more designated exchanges, which are grouped to serve common social, economic and other purposes.

LOCAL CALLING AREA

The term "Local Calling Area" denotes a geographical area, as defined in the Company's General Subscriber Service Tariff, in which an End User (Telephone Exchange Service Subscriber) may complete a call without incurring MTS charges.

SECTION 2 - GENERAL REGULATIONS (CONT'D)**2.6 Definitions (Cont'd.)****LOCATION PROVIDER**

The term "Location Provider" denotes the person or persons having a legal authority to permit the Payphone Service Provider to place pay telephones on their premises.

LOOP AROUND TEST LINE

The term "Loop Around Test Line" denotes an arrangement utilizing a Company central end office to provide a means to make certain two-way transmission tests on a manual basis. This arrangement has two central office terminations, each reached by means of separate telephone numbers and does not require any specific IC terminal equipment. Equipment subject to this test arrangement is at the discretion of the IC.

LOSS DEVIATION

The term "Loss Deviation" denotes the variation of the actual loss from the designed value.

MAJOR FRACTION THEREOF

The term "Major Fraction Thereof" is any period of time in excess of one-half of the stated amount of time. As an example, in considering a period of 24 hours, a major fraction thereof would be any period of time in excess of 12 hours exactly. Therefore, if a given service is interrupted for a period of thirty-six hours and fifteen minutes, the IC or End User would be given a credit allowance for two twenty-four hour periods for a total of forty-eight hours.

MANHOLE

The term "Manhole" denotes a sub-surface enclosure which Company personnel may enter and use for the purpose of installing, operating, maintaining and repairing communications facilities.

MARITIME RADIO COMMON CARRIERS (MRCCs)

The term "Maritime Radio Common Carriers" (MRCCs) denotes carriers which are regulated under Part 81 on the Federal Communications Commission's Rules and Regulations.

MARKET AREA

See Local Access and Transport Area.

SECTION 2 - GENERAL REGULATIONS (CONT'D)**2.6 Definitions (Cont'd.)****MASS CALLING EVENT**

An activity that a subscriber (Interexchange Carrier, Alternative Local Exchange Carrier, or end user) engages in that creates or results in a heavy influx of calls into a given network. For example, if a subscriber operating a radio or television station conducts a call-in promotion, it can create a mass calling situation that locks up the network so that other subscribers can not complete their calls through that network. Likewise, a subscriber from outside the LATA can create a mass calling event by generating massive common transport terminating switched access traffic that is directed to end users served from specific end offices. The Company will work with the subscriber in advance of such promotions and mass calling activities to reroute their calls to other facilities to prevent overloading the network that provides the subscriber's service. CCFLC will not be liable for the blockage of any traffic in any way related to the mass calling event. The Company does not guarantee the completion of mass calling traffic on its network.

MESSAGE

The term "Message" denotes a "call" as defined preceding.

MILLIWATT (102 TYPE) TEST LINE

The term "Milliwatt (102 Type) Test Line" denotes an arrangement in an end office which provides a 1004 Hz tone at 0 dBm0 for one-way transmission measurements towards the IC terminal location from the Company end office.

MINUTES OF USE

See Access Minutes

MODIFIED ACCESS BASED COMPENSATION (MABC)

The Modified Access Based Compensation Plan ordered by the Florida Public Service Commission in Docket No. 850310-TL Order No. 17743, issued June 24, 1987 allows the Local Exchange Company (LEC) in whose area the intraLATA long distance MTS/WATS calls originate, to bill and keep the revenues for such calls. The LEC then pays appropriate access charges to other LECs that participate in the completion of the call.

MULTIPOINT CHANNEL

The term "Multipoint Channel" refers to any connection which terminates three or more circuits on the same bridging node.

SECTION 2 - GENERAL REGULATIONS (CONT'D)**2.6 Definitions (Cont'd.)****NETWORK CHANNEL INTERFACE (NCI) CODE UPDATE**

The term "Network Channel Interface (NCI) Code Update" denotes the manual or mechanical activity performed to update the NCT code on each sub-DS1 level circuit riding a DS1 High Capacity service that is converted (rolled over) to a DS3 High Capacity service.

NETWORK CONTROL SIGNALING

The term "Network Control Signaling" denotes the transmission of signals used in the telecommunications system which perform functions such as supervision (control, status, and charge signals), address signals (e.g., dialing), calling and called number identifications, rate of flow, service selection error control and audible tone signals (call progress signals indicating re-order or busy conditions, alerting, coin denominations, coin collect and coin return tones) to control the operation of the telecommunications system.

NETWORK INTERFACE

The term "Network Interface" denotes the point of demarcation on the End User's premises at which the Company's responsibility for the provision of Access Services end.

NONSYNCHRONOUS TESTLINE

The term "Nonsynchronous Test Line" denotes an arrangement in step*by-step end offices which provides operational tests which are not as complete as those provided by the synchronous test lines, but which can be made more rapidly.

NORTH AMERICAN NUMBERING PLAN (NANP)

The term "North American Numbering Plan" denotes a 3-digit area or Numbering Plan Area (NPA) code and a 7-digit telephone number made up of a 3-digit Central Office (CO) code plus a 4-digit station number.

OFF-HOOK

The term "Off-hook" denotes the active condition of CCFLC SWA or a Telephone Exchange Service line.

ON-HOOK

The term "On-hook" denotes the idle condition of CCFLC SWA or a Telephone Exchange Service line.

OPEN CIRCUIT TEST LINE

The term "Open Circuit Test Line" denotes an arrangement in an end office which provides an ac open circuit termination of a trunk or line by means of an inductor of several Henries.

SECTION 2 - GENERAL REGULATIONS (CONT'D)**2.6 Definitions (Cont'd.)****OPERATING COMPANY NUMBER**

Denotes a four-character alphanumeric identifier used to determine the company of the NPA-NXX code-holders.

OPERATOR SERVICES SYSTEM

The term "Operator Services System" (OSS) denotes the switching equipment, facilities, operator positions and software components utilized for the provision of Operator Services.

OPERATOR SERVICES SYSTEM LOCATION

The term "Operator Services System Location" (OSS location) denotes a Company office where Company equipment routes or receives IC Operator Services calls to or from the IC location.

OPERATOR SERVICES SYSTEM SERVING AREA

The term "Operator Services System Serving Area" (OSS serving area) denotes the geographic operational domain of an Operator Services System.

ORIGINATING DIRECTION

The term "Originating Direction" denotes the use of access service for the origination of calls from an End User to an IC terminal location.

OVERLAP OUTPUTTING

The term "Overlap Outputting" denotes the feature of the CCFLC SWA FGD Signaling System which permits initiation of pulsing to the IC's premises before the calling subscriber has completed dialing an originating call.

PAY TELEPHONE LINE

The term "Pay Telephone Line" denotes facilities provided by the Company which connect pay telephone stations to the Local Exchange Network.

PAYPHONE SERVICE PROVIDER

The term "Payphone Service Provider" denotes one who provides payphone service, which is the provision of public or semi-public pay telephones, the provision of inmate telephone service in correctional institutions and any ancillary services.

PHASE JITTER

The term "Phase Jitter" denotes the unwanted phase variations of a transmitted signal.

POINT OF INTERFACE

The term "Point of Interface" denotes a demarcation point, at the IC terminal location, between Company provided and IC provided services.

SECTION 2 - GENERAL REGULATIONS (CONT'D)**2.6 Definitions (Cont'd.)****POINT OF PRESENCE**

See IC Terminal Location.

POINT OF TERMINATION

The term "Point of Termination" denotes the point of demarcation, within an IC-designated premises at which the Company's responsibility for the provision of Access Service ends.

PREMISES

The term "Premises" denotes the building or portions of a building in a multitenant building, or buildings on continuous property (except Railroad Right-of-Way, etc.) not separated by a public highway. This term is not to be limited to one building, but applies as well to a complex, or campus-type configuration of buildings.

RADIO COMMON CARRIERS (RCCs)

The term "Radio Common Carriers" (RCCs) denotes carriers which are regulated under Part 22 of the Federal Communications Commission's Rules and Regulations.

REMOTE ACCESS SERVER

The term "Remote Access Server" denotes equipment that aggregates the customer's CCFLC Remote Access Service dialed traffic and transports it to the customer's designated location over their egress circuits.

REMOTE MODULES AND/OR REMOTE SYSTEMS

The term "Remote Modules and/or Remote Systems" denotes small, end offices which obtain their call processing capability from a Host Office, The Remote Modules and/or Remote Systems cannot accommodate direct trunks to an IC.

RETURN LOSS

The term "Return Loss" denotes a measure of the similarity between the two impedances at the junction of two transmission paths (e.g., four to two-wire junctions), The higher the return loss, the higher the similarity.

REGISTERED EQUIPMENT

The term "Registered Equipment" denotes the IC's or the IC's customer's premises equipment (CPE) which complies with and has been approved within the Registration Provisions of Part 68 of the FCC Rules and Regulations.

SECTION 2 - GENERAL REGULATIONS (CONT'D)**2.6 Definitions (Cont'd.)****SECONDARY CHANNEL**

The term "Secondary Channel" denotes the offering of a companion digital transmission capability over the same physical facility as the primary channel at a lower bit rate, Terminal equipment required to support secondary channel capability must be provided by the customer.

SERVICE ACCESS CODE

The term "Service Access Code (SAC)" denotes the 700, 800 and 900 NXX numbers administered by Bell Communications Research as part of the North American Numbering Plan.

SERVICE INSTALLATION GUARANTEE

The term "Service Installation Guarantee" denotes a program under which the Company will provide a credit to the customer's account for certain services in those instances when the Service Dale is not met due to Company reasons.

SERVICE PROVIDED UPON REQUEST

The term "Service Provided Upon Request" (SPUR) denotes a service that has not been requested by any ICs in a particular state. When a request for this service is received a new aggregate rate will be calculated and filed in this Tariff, The new rate will include the additional demand and costs for the service.

SERVICE SWITCHING POINT (SSP)

The term "Service Switching Point" (SSP) denotes a node in a CCS7 Signaling System that formulates and receives signaling messages.

SERVING WIRE CENTER

The term "Serving Wire Center" denotes the wire center from which the IC designated premises would normally obtain dial tone from the Company.

SEVEN DIGIT MANUAL TEST LINE

The term "Seven Digit Manual Test Line" denotes an arrangement, which allows the IC to select balance, milliwatt and synchronous test lines, by manually dialing a seven digit number over the associated access connection.

SHARED NETWORK ARRANGEMENT

The term "Shared Network Arrangement" denotes a service offering whereby multiple ICs may connect on a channelized high capacity service and the Company will undertake to maintain separate records for each IC's portion of the shared network.

SHORT CIRCUIT TEST LINE

The term "Short Circuit Test Line" denotes an arrangement in an end office which provides an ac short circuit termination of the trunk or line by means of a capacitor of at least 4 microfarads.

SECTION 2 - GENERAL REGULATIONS (CONT'D)**2.6 Definitions (Cont'd.)****SIGNAL-TO-C-NOTCHED NOISE RATIO**

The term "Signal-to-C-Notched Noise Ratio" denotes the ratio in dB of a test signal to the corresponding C-Notched Noise.

SIGNAL TRANSFER POINT (STP)

The term "Signal Transfer Point" denotes a signaling point which routes and/or transfers signaling messages through the common channel signaling network.

SIGNALING POINT OF INTERCONNECTION

The term "Signaling Point of Interconnection" (SPOI) denotes the location where a Company-provided CCS7 Signaling Connection terminates at a customer location.

SIGNALING POINT CODE

The term "Signaling Point Code" denotes a binary code uniquely identifying a signaling point in a signaling network. This code is used, depending upon its position in the label, either as a destination point code, identifying the intended destination of the message, or as an originating point code, which identifies the originating point of the message,

SUBTENDING END OFFICE OF AN ACCESS TANDEM

The term "Subtending End Office of an Access Tandem" denotes an end office that has final trunk group routing through that tandem.

SUPERFRAME FORMAT (SF)

The term "Superframe Format" specifies a twelve-frame repeating pattern for the framing and information bits contained in a DS1/1.544 Mbps bit stream. The required format specifications are contained in TR-NPL-000054.

SWITCHED LOCAL CHANNEL

The Switched Local Channel denotes a switched transport facility between the IC's serving wire center and the IC's premises.

SYNCHRONOUS TEST LINE

The term "Synchronous Test Line" denotes an arrangement in an end office, which performs marginal operational tests of supervisory and ring-tripping functions.

TELEPHONE COMPANY ANSWERING SERVICE CONCENTRATOR

The term "Telephone Company Answering Service Concentrator" denotes a device located in a central office of the Company which concentrates incoming calls to some number of Telephone Answering Service's clients lines to some smaller number of trunks/channels connected to the IC's or End User's premises equipment.

SECTION 2 - GENERAL REGULATIONS (CONT'D)**2.6 Definitions (Cont'd.)****TERMINATING DIRECTION**

The term "Terminating Direction" denotes the use of Access Service for the completion of calls from an IC terminal location to an End User's premises.

TERMINATION LIABILITY CHARGE

The term "Termination Liability Charge" when used in connection with specially constructed facilities denotes the portion of the Maximum Termination Liability that is applied as a nonrecurring charge when all services are discontinued prior to the expiration of the specified liability period. The term "Termination Liability" as used in connection with the application of termination charges for access services denotes the discontinuance, either at the request of the customer or by the Company under its regulations concerning cancellation for cause, of service or facilities (including channels and station equipment) provided by the Company.

TRADITIONAL SIGNALING

The term "Traditional Signaling" denotes the Intermachine Signaling System which has been traditionally used in North America for the purpose of transmitting the called number's address digits from the originating end office to the switching machine which will terminate the call. In this system, all of the dialed digits are received by the originating switching machine, a path is selected, and the sequence of supervisory signals and out pulsed digits is initiated. No overlap out pulsing, ten digit ANI or ANI information digits are included in this signaling sequence. Acknowledgment wink is required from the terminating switching machine except when the originating switching machine is SXS.

TRAFFIC

The term "traffic" denotes a volume of IC access minutes of use or calls.

TRAFFIC OPERATOR POSITION SYSTEM (TOPS) TANDEM

The term "Traffic Operator Position System" (TOPS tandem) denotes a Company office where Company equipment routes or receives IC Operator Services calls to or from the IC location. A TOPS tandem is also known as an OSS location.

TRANSACTIONS CAPABILITIES APPLICATION PART (TCAP) MESSAGES

The term "TCAP Messages" relates to the application of TIA Interim Standard 41 (Sub-systems 005-010) for the transmission of non-call associated messages over the CCFLC SWA CCSAC network.

TRANSMISSION MEASURING (105 TYPE) TEST LINE/RESPONDER

The term "Transmission Measuring (105 Type) Test Line/Responder" denotes an arrangement in an end office which provides far-end access to a responder and permits two-way loss and noise measurements to be made on trunks from a near end office.

SECTION 2 - GENERAL REGULATIONS (CONT'D)**2.6 Definitions (Cont'd.)****TRANSMISSION PATH**

The term "Transmission Path" denotes an electrical path capable of transmitting signals within the range of the service offering, e.g., a voice grade transmission path is capable of transmitting voice frequencies within the approximate range of 300 to 3000 Hz. A transmission path is comprised of physical or derived channels consisting of any form or configuration of facilities typically used in the telecommunications industry.

SINGING RETURN LOSS (SRL)

The term "Singing Return Loss" denotes the frequency weighted measure of return loss at the edges of the voiceband (200 to 500 Hz and 2500 to 3200 Hz), where singing (instability) problems are most likely to occur.

TRUNK

The term "Trunk" denotes a communications path connecting two switching systems in a network, used in the establishment of an end-to-end connection.

TRUNK GROUP

The term "Trunk Group" denotes a set of trunks, which are traffic engineered as a unit for the establishment of connections between switching systems in which all of the communications paths are interchangeable.

TRUNK SIDE CONNECTION

The term "Trunk Side Connection" denotes the connection of a transmission path to the trunk side of a local exchange switching system.

TWO-WIRE TO FOUR-WIRE CONVERSION

The term "Two-Wire to Four-Wire Conversion" denotes an arrangement, which converts a four-wire transmission path to a two-wire transmission path to allow a four-wire facility to terminate in a two-wire entity such as a central office switch.

UNIFORM SERVICE ORDER CODE

The term "Uniform Service Order Code" denotes a three or five character alphabetic, numeric, or an alphanumeric code that identifies a specific item of service or equipment. Uniform Service Order Codes are used in the Company billing system to generate recurring rates and nonrecurring charges.

SECTION 2 - GENERAL REGULATIONS (CONT'D)**2.6 Definitions (Cont'd.)****V AND H COORDINATES METHOD**

The term "V and H Coordinates Method" denotes a method of computing airline miles between two points by utilizing an established formula which is based on the Vertical (V) and Horizontal (H) coordinates of the two points.

WIRE CENTER

A "Wire Center" is a Company facility that houses Company equipment necessary for the provision of CCFLC SWA and non-CCFLC SWA telephone service to customers in a defined geographical area. The facility is identified with V&H coordinates and is assigned one or more NXX's for use in providing CCFLC SWA services to customers located in the specified geographical area. The Company equipment located at a Wire Center may consist of switching equipment or non-CCFLC SWA equipment working with a distant host switch as well as equipment used to terminate dedicated Non-CCFLC SWA services. Wire Centers capable of terminating access facilities are designated by the Company.

500 SERVICE PROVIDER

The term "500 Service Provider" refers to an entity purchasing CCFLC SWA 500 Access Service for use in the provision of Personal Communication Service. A 500 Service Provider must have been assigned a 500 NXX by the North American Numbering Plan Administrator.

800 DATABASE

The term "800 Database" refers to the use of database technology to determine to which access customer an originating 800 call is to be delivered. With the exception of 800 calls to Canada, Bermuda, and the Bahamas, the 800 Database routes calls to an access customer based on the dialed ten digit 800 number.

SECTION 2 - GENERAL REGULATIONS (CONT'D)

2.7 Special Promotions

2.7.1 Regulations

The Company may offer approved special promotions of new or existing services or products for limited periods as approved by the Public Service Commission. These promotions are a temporary waiver of certain recurring and/or nonrecurring charges as stated in paragraph 2.7.2. These promotions will be offered on a completely non-discriminatory basis with each subscriber in the classification of service and area for which the promotion is offered having an equal opportunity for participation.

2.7.2 Descriptions

The following promotions are approved by the Commission:

- A. Reserved for Future Use

2.8 Trademarks and Service marks Protection

2.8.1 Use of Trademarks and Service marks

Trademarks and Service marks owned by Consolidated Communications of Florida Company d/b/a Consolidated Communications/GTC may not be used by any entity concurring in or providing services pursuant to this Tariff except under an express written license agreement with Consolidated Communications of Florida Company d/b/a Consolidated Communications/GTC.

SECTION 3 - COMMON CARRIER LINE ACCESS

TABLE OF CONTENTS

3.1	General Description
3.2	Limitations
3.3	Undertaking of the Company
3.4	Obligations of the IC
3.5	Payment Arrangements
3.6	Determination of Usage Subject to Carrier Common Line Access Charges
3.7	Resold Services
3.8	Rate Regulations
3.9	Rates and Charges

SECTION 3 - COMMON CARRIER LINE ACCESS

The Company will provide Carrier Common Line Access Service (Carrier Common Line Access) to ICs or to End Users of FX/ONAL or End Users of CCFLC SWA FGB Services.

3.1 General Description

- A. Carrier Common Line Access provides for the use of Company common lines by ICs for access to end users to furnish IC intrastate telecommunications service.
- B. Carrier Common Line Access is provided where the IC obtains CCFLC SWA services under this Tariff.
- C. Premium Access is (1) CCFLC SWA service provided to ICs under this Tariff which furnish intrastate MTS/CCFLC SWA WATS, and (2) CCFLC SWA service in an end office converted to equal access,

3.2 Limitations

- A. A telephone number is not provided with Carrier Common Line Access.
- B. Detail billing is not provided for Carrier Common Line Access.
- C. Directory listings are not included in the rates and charges for Carrier Common Line Access.
- D. Intercept arrangements are not included in the rates and charges for Carrier Common Line Access.
- E. Where CCFLC SWA services are connected with Dedicated Access Services at Company designated CCFLC SWA WATS serving offices for the provision of CCFLC SWA WATS or CCFLC SWA WATS type Services, CCFLC SWA service minutes which are carried on that end of the service (i.e., originating minutes for outward CCFLC SWA WATS and CCFLC SWA WATS-type services and terminating minutes for inward CCFLC SWA WATS and CCFLC SWA WATS-type services) shall not be assessed Carrier Common Line Access Service per minute charges.
- F. All line side connections provided in the same combined access group will be limited to the same features and operating characteristics. Such features and characteristics will be limited to those which are available under both this Tariff and the general and/or local exchange tariff applicable to the group involved.
- G. All trunk side connections provided in the same combined access group will be limited to the same features and operating characteristics.

SECTION 3 - COMMON CARRIER LINE ACCESS (CONT'D)**3.3 Undertaking of the Company**

- A. Where the IC is provided with CCFLC SWA service under other sections of this Tariff, the Company will provide the use of Company common lines by an IC for access to end users at rates and charges as specified in 3.10 following.
- B. The CCFLC SWA service provided by the Company includes the CCFLC SWA service provided for both interstate and intrastate communications, The Carrier Common Line Access Service rates and charges as set forth in 3.10 following apply to intrastate CCFLC SWA service access minutes in accordance with the rate regulations as set forth in 3.9 following.

3.4 Obligations of the IC

- A. The CCFLC SWA service associated with Carrier Common Line Access Service shall be ordered by the IC under other sections of this Tariff.
- B. The IC facilities at the IC terminal location of the ordering IC shall provide the necessary on-hook and off-hook supervision.
- C. Where Operator Trunk-Coin or Combined Coin and Non Coin or Operator Trunk-Full Feature Optional Features for sent-paid pay telephone access is provided to the IC and the IC wishes to receive the monies it is due for the monies collected by the Company from coin pay telephone stations, the IC shall furnish to the Company, at a location specified by the Company, the IC message call detail for the IC sent-paid (coin) pay telephone calls in accordance with the Company collection schedule. The IC message call detail furnished shall be in a standard format established by the Company. If no IC message call detail is received from the IC for each bill period established by the Company, the Company will assume there were no IC sent-paid (coin) pay telephone calls for the period. In addition the IC shall furnish a schedule of its charges for sent-paid (coin) calls to the Company at a location and date as specified by the Company. Any change in the IC's schedule of charges shall be furnished to the Company one day after the change becomes effective.

SECTION 3 - COMMON CARRIER LINE ACCESS (CONT'D)**3.5 Payment Arrangements**

- A. The Company will bill the Carrier Common Line Access. The bill day (i.e., the billing date of the Bill) in a month for each IC account will be established by the Company. Payment is due from the IC 31 days after the bill day date (payment date) or by the next bill date (i.e., same date in the following month as the bill date), whichever is the shortest interval, and is payable in immediately available funds. If such payment date is a Saturday, Sunday or Holiday (i.e., New Year's Day, Independence Day, Labor Day, Thanksgiving Day, Christmas Day, the second Tuesday in November, and a day when Washington's Birthday, Memorial Day or Columbus day is legally observed), payment will be due from the IC as follows:
1. If such payment date falls on a Sunday or on a Holiday which is observed on a Monday, the payment date shall be the first non-Holiday day following such Sunday or Holiday. If such payment date falls on a Saturday or on a Holiday which is observed on Tuesday, Wednesday, Thursday or Friday, the payment date shall be the last non-Holiday day preceding such Saturday or Holiday.
- B. Further, if any portion of the Carrier Common Line Access payment is received by the Company after the payment date as set forth in A preceding, or if any portion of the Carrier Common Line Access payment is received by the Company in funds which are not immediately Available to the Company, then a late payment penalty shall be due to the Company. The late payment penalty shall be the portion of the Carrier Common Line Access payment not received by the payment date times a late factor. The late factor shall be the lesser of:
1. The highest interest rate (in decimal value) which may be levied by law for commercial transactions, compounded daily for the number of days from the payment date to and including the date that the IC actually makes the payment to the Company, or
 2. 0.000590 per day, compounded daily for the number of days from the payment date to and including the date that the IC actually makes the payment to the Company.

SECTION 3 - COMMON CARRIER LINE ACCESS (CONT'D)**3.5 Payment Arrangements (Cont'd)**

- C. In the event a billing dispute concerning a month's Carrier Common Line Access billed to the IC by the Company is resolved in favor of the Company, any payments withheld pending settlement of the dispute shall be subject to the late payment penalty set forth in B preceding. If the IC disputes the bill on or before the payment date, and pays the undisputed amount on or before the payment date, any late payment charge for the disputed amount will not start until 10 days after the payment date. If the billing dispute is resolved in favor of the IC, no late payment will apply to the disputed amount. In addition, if the IC disputes the billed amount and pays the total amount (i.e., the non-disputed amount and the disputed amount) on or before the payment date and the billing dispute is resolved in the favor of the IC, the IC will receive a credit for a disputed amount penalty from the billing entity if the billing dispute is not resolved within 10 working days following the payment date or the date the IC furnishes to the billing entity documentation to support its claim plus 10 working days, whichever date is the later date. The disputed amount penalty shall be the disputed amount resolved in the IC's favor times a penalty factor.

3.6 Determination of Usage Subject to Carrier Common Line Access Charges

Except as set forth herein, all CCFLC SWA service provided to the IC will be subject to Carrier Common Line Access Charges.

- A. When the IC reports interstate and intrastate use of CCFLC SWA service, the associated Carrier Common Line Access used by the IC for intrastate use will be determined as set forth in 3.9 following.
- B. Where CCFLC SWA FGC end office switching is provided without Company recording and the IC records minutes of use which will be used to determine Carrier Common Line Access charges (i.e., CCFLC SWA FGC operator and calls such as pay telephone sent-paid, operator-DDD, operator-person, collect, credit-card, third number and/or other like calls), the IC shall furnish such minutes of use detail to the Company in a timely manner. If the IC does not furnish the data to the Company, the IC shall identify all CCFLC SWA services which could carry such calls in order for the Company to accumulate the minutes of use through the use of special Company measuring and recording equipment.
- C. When access to the local exchange is required to provide an IC Service that uses service (e.g. MTS/WATS-type, telex, data, etc.) a resold Private Line Service, CCFLC SWA FG service rates and regulations, as set forth in 6.7 following will apply. Carrier Common Line Access rates and charges as set forth in 3.10 following apply in accordance with the resale rate regulations as set forth in 3.7 following.

SECTION 3 - COMMON CARRIER LINE ACCESS (CONT'D)**3.7 Resold Services**

- A. Where the IC is reselling MTS or MTS-type service(s) on which the Carrier Common Line and CCFLC SWA charges have been assessed, the IC may, at the option of the IC, obtain CCFLC SWA FGA, CCFLC SWA FGB, CCFLC SWA FGD, or CCFLC SWA FG service under this Tariff as set forth in Section 6 following for originating and/or terminating access in the local exchange. Such access group arrangements, whether single lines or trunks or multiline hunt groups or trunk groups, will have Carrier Common Line Access Charges applied as set forth in 3.10 following in accordance with the resale rate regulations set forth in this Section. For purposes of administering this provision:
1. Resold intrastate terminating MTS and MTS-type service(s) shall include collect calls, third number call and credit card call where the reseller pays the underlying carrier's service charges; and shall not include interstate minutes of use.
 2. Resold intrastate originating MTS and MTS-type service(s) shall not include collect, third number, credit card or interstate minutes of use.
- B. When the IC is reselling MTS and/or MTS-type service as set forth in A preceding, the IC will be charged the Carrier Common Line Access charges in accordance with the resale rate regulations as set forth in D following if the IC or the provider of the MTS service furnishes documentation of the MTS usage and/or the IC furnishes documentation of the MTS-type usage. Such documentation supplied by the IC shall be supplied each month and shall identify the involved resold MTS and/or MTS-type services. The monthly period used to determine the minutes of use for resold MTS and/or MTS-type service(s) shall be the most recent monthly period for which the IC has received a bill for such resold service(s). This information shall be delivered to the Company, at a location specified by the Company, no later than fifteen days after the bill date shown on the resold MTS and/or MTS-type service bill. If the required information is not received by the Company, the previously reported information, as described preceding, will be used for the next two months. For any subsequent month, no allocation or credit will be made until the required documentation is delivered to the Company by the IC.
- C. When the IC utilizes CCFLC SWA service as set forth in B preceding, the Company may request a certified copy of the IC's resold MTS and/or MTS-type usage billing from either the IC or the provider of the MTS and/or MTS-type service. Requests for billing will relate back no more than twelve months prior to the current billing period.

SECTION 3 - COMMON CARRIER LINE ACCESS (CONT'D)**3.7 Resold Services (Cont'd)**

- D. When the IC is provided an access group to be used in conjunction with the resale of MTS and/or MTS-type services as set forth in A preceding, subject to the limitation as set forth in 3.2 preceding, and the Company receives the usage information required to calculate the adjustment of Carrier Common Line Access Charges as set forth in B preceding, the customer will be billed as set forth following.

When the customer is provided with more than one access group in a LATA in association with the resale of MTS and/or MTS-type services, the resold minutes of use will be apportioned as follows:

1. The Company will apportion the resold originating MTS or MTS-type services and originating minutes of use for which resale credit adjustment applies, among the access groups. Such apportionment will be based on the relationship of the originating usage for each access group to the total originating usage for all access groups in the LATA. For purposes of administering this provision:
 - a. Resold originating MTS and/or MTS-type services minutes shall be only those attributable to intrastate originating MTS and/or MTS-type minutes and shall not include collect, third number, credit card or interstate minutes of use.
 - b. The resale credit adjustment shall apply for resold originating MTS and/or or MTS-type services and minutes of use, provided Carrier Common Line and CCFLC SWA Charges have been assessed on such services.
2. The Company will apportion the resold terminating MTS and/or MTS-type services and terminating minutes of use for which resale credit applies, among the access groups. Such apportionment will be based on the relationship of the terminating usage for each access group to the total terminating usage for all access groups in the LATA. For purposes of administering this provision:
 - a. Resold terminating MTS and/or MTS-type services minutes shall be only those attributable to intrastate terminating MTS and/or MTS-type (i.e., collect calls, third number calls, and credit card calls) and shall not include interstate minutes of use or MTS and/or MTS-type minutes of use paid for by another party.
 - b. The resale credit adjustment shall apply for resold terminating MTS and MTS-type services and minutes of use, provided Carrier Common Line and Switched Access Charges have been assessed on such services.

SECTION 3 - COMMON CARRIER LINE ACCESS (CONT'D)**3.7 Resold Services (Cont'd)****D. (Cont'd)**

3. In order for the rate regulations to apply as set forth following, the access groups and the resold MTS and/or MTS-type services must be provided in the same state (except when the same extended area service arrangement is provided in two different states by the same company) in the same exchange, provided by the same Company and connected directly or indirectly. For those exchanges that encompass more than one state, the IC shall report the information by state within the exchange.
4. Each of the access group arrangements used by the IC in association with the resold MTS and/or MTS-type services must be connected either directly or indirectly to the IC designated premises at which the resold MTS and/or MTS-type services are terminated. Direct connections are those arrangements where the access groups and resold MTS and/or MTS-type services are terminated at the same IC designated premises.
5. Indirect originating connections are those arrangements where the access groups and the resold originating MTS and/or MTS-type services are physically located at different IC designated premises in the same exchange. Such different IC designated premises are connected by facilities that permit a call to flow from access groups to resold MTS and/or MTS-type services.
6. Indirect terminating connections are those arrangements where the access groups and resold terminating MTS and/or MTS-type services are physically located at different IC designated premises in the same exchange. Such different IC designated premises are connected by facilities that permit a call to flow from resold terminating MTS and/or MTS-type services to access groups.
7. The adjustments as set forth following will be computed separately for each access group.

SECTION 3 - COMMON CARRIER LINE ACCESS (CONT'D)**3.7 Resold Services (Cont'd)****E. Access Groups - Equal Access Offices Only**

1. When all the usage on an access group originates from and/or terminates at end offices that have been converted to equal access the Access Charge per minute as set forth in 3.10 following will apply. The minutes billed Carrier Common Line Access Service charges will be the adjusted terminating intrastate access minutes and the adjusted originating intrastate access minutes for such access groups.
2. The adjusted terminating access minutes will be the terminating intrastate access minutes less the reported resold terminating MTS and/or MTS-type service minutes of use as set forth preceding; but not less than zero. The adjusted originating access minutes will be the originating intrastate access minutes less the reported resold originating MTS and/or MTS-type service minutes of use; but not less than zero.

F. The adjustment as set forth in E preceding will be made to the involved IC account no later than either the next bill date, or the one subsequent to that, depending on when the usage report is obtained.

G. When the MTS-type and/or MTS usage is shown in hours, the number of hours shall be multiplied by sixty to develop the associated MTS and MTS-type minutes of use. If the MTS and/or MTS-type usage is shown in a unit that does not show hours or minutes, the IC shall provide a factor to convert the shown units to minutes.

H. The adjustment as set forth in E preceding will be made to the involved IC account after making the adjustments to the IC account as set forth in 3.8 following.

SECTION 3 - COMMON CARRIER LINE ACCESS (CONT'D)**3.8 Rate Regulations**

- A. The Carrier Common Line Charges will be billed to each CCFLC SWA service provided under this Tariff in accordance with the regulations as set forth following except as set forth in 3.7.D preceding and D following.
- B. When access minutes which are used to determine the Carrier Common Line Charges, they will be accumulated using call detail recorded by Company equipment except as set forth in C following and CCFLC SWA FGC operator and automated operator service systems call detail such as line controlled pay station sent-paid, operator-DDD, operator-person, collect, credit-card, third number and/or other like calls recorded by the IC. The Company measuring and recording equipment except as set forth in C following will be associated with end office or local tandem switching equipment and will record each originating and terminating access minute where answer supervision is received. The accumulated access minutes will be summed on a line by line basis, by line group or end office, whichever type of account is used by the Company, for each IC and then rounded to the nearest minute.
- C. When Carrier Common Line Access Service is provided in association with CCFLC SWA FGA or CCFLC SWA FGB service in an end office not converted to equal access, in Company end offices that are not equipped for measurement capabilities, an assumed average access minutes will be used to determine the Carrier Common Line charges. The assumed average access minutes are as set forth in 6.7.8 following.
- D. When the IC orders line side CCFLC SWA as set forth in 6.7.3 following and reports the data as set forth in 3.4.F preceding and in 6.7.3 following, the IC monthly Carrier Common Line Charge access minutes will be adjusted as follows:
1. For the first month both the CCFLC SWA service and the resold Dedicated Access Line Service provided under this Tariff are in service in the same state in the same LATA and provided by the same Company, the Carrier Common Line Access originating access minutes for the IC LATA account or End Office account involved, whichever type of account is used by the billing entity, will be adjusted as follows. After the billing entity verifies that the number of Dedicated Access Line Services in service as reported by the IC is accurate, the Carrier Common Line Access originating access minutes developed for the IC account involved will be reduced by the amount of minutes associated with resold Dedicated Access Line Services reported as set forth in 3.4.F preceding and 6.7.3 following for line side CCFLC SWA service. The adjustment will be made to the involved IC account no later than either the next bill date, or the one subsequent to that, depending on when the report is received.

SECTION 3 - COMMON CARRIER LINE ACCESS (CONT'D)**3.8 Rate Regulations (Cont'd)**

- D. 2. For every monthly period after the first monthly period both the CCFLC SWA service and the resold Dedicated Access Line Service provided under this Tariff are in service in the same state in the same LATA and provided by the same Company, the Carrier Common Line Access originating access minutes for the IC LATA account or End Office account involved, whichever type of account is used by the billing entity, will be adjusted as follows. The Carrier Common Line Access originating access minutes developed for the IC account involved will be reduced by the amount of minutes associated with resold Dedicated Access Line Services reported as set forth in 3.4.F preceding and 6.7.3 following for line side CCFLC SWA service. The adjustment will be made to the involved IC account no later than either the next bill date, or the one subsequent to that, depending on when the report is received.
3. The originating access minutes for Carrier Common Line Access, adjusted as set forth in 1 or 2 preceding, whichever is appropriate, or any other section of this Tariff, that are billed to an IC in a monthly period shall not be less than zero.
4. The adjustment as set forth in 1, 2 and 3 preceding will be made to the involved IC account after making the adjustments to the IC account as set forth in E and F following.
- E. When the IC reports exchange minutes of use, as long as the exchange minutes are not included in the minutes used to develop the reports as set forth in 2.3.14 preceding, as set forth in 3.4.G preceding for in service CCFLC SWA service in a LATA, the Carrier Common Line Access minutes for the IC LATA account or End Office account involved, whichever type of account is used by the billing entity, will be adjusted as follows. After the billing entity verifies the exchange minutes reported by the IC are accurate, the Carrier Common Line Access minutes developed for the IC account involved will be reduced by the exchange minutes of use reported by the IC. If the billing entity determines the reported exchange minutes are not accurate, no adjustment will be made until a new report properly stating the exchange minutes is delivered to the billing entity by the IC. The access minutes, adjusted as set forth in this paragraph or any other section of this Tariff: that are billed to the IC in a monthly period shall not be less than zero. This adjustment will be made to the involved IC account prior to making the adjustments to the IC account as set forth in D preceding and F following.

SECTION 3 - COMMON CARRIER LINE ACCESS (CONT'D)**3.8 Rate Regulations (Cont'd)**

- F. When the customer reports interstate and intrastate use of in-service CCFLC SWA service, the Carrier Common Line Access Service charges will be billed only to intrastate CCFLC SWA service access minutes based on the data reported by the customer as set forth in 2.3.10 preceding except where the Company is billing according to actuals by jurisdiction. The intrastate CCFLC SWA service access minutes will, after adjustment as set forth in 3.7.D preceding, when necessary, be used to determine the Carrier Common Line Access Service charges as set forth in G following.
- G. After the adjustments as set forth in 3.7.D and D preceding have been applied, when necessary, to the GTC SWA service access minutes, the charges for the involved customer account will be determined as follows:
1. The access minutes for all rated CCFLC SWA service subject to Carrier Common Line Access Service charges will be multiplied by the access per minute rate as set forth in 3.10 following.
 2. Carrier Common Line Access Service charges shall not be reduced as set forth in 3.7.A preceding unless Switched Access Charges, as set forth in Section 6 following, are applied to the customer's CCFLC SWA services.
 3. Terminating access per minute charge(s) apply to:
 - all terminating access minutes of use
 - all originating access minutes of use associated with calls placed to 700, 800 and 900 numbers, less the percentage of originating access minutes of use reported by the customer, as set forth following, that are associated with calls placed to 700, 800 and 900 numbers that terminate in a CCFLC SWA service that is assessed Carrier Common Line Access Service charges.

For originating access minutes of use associated with calls placed to 700, 800 and 900 numbers which terminate on a CCFLC SWA service assessed Carrier Common Line Access Service charges, the customer shall report as follows: On or before the fifteenth day of each March, June, September and December the customer shall provide the Company a report of the percentage of total interstate 700, 800 and 900 originating minutes of use that will terminate in a CCFLC SWA service that is assessed Carrier Common Line Access Service charges for the forthcoming quarter. The reported percentage will be used by the Company to determine the customer's current monthly bill for the originating minutes of use for which the report was provided as set forth in 5 following. The customer reported percentage should reflect any under or over estimate in the prior quarter. In the event the customer does not supply a report, the Company will assume the percentage to be the same as that provided in the previous quarterly report.

SECTION 3 - COMMON CARRIER LINE ACCESS (CONT'D)**3.8 Rate Regulations (Cont'd)****G. (Cont'd)**

If a dispute arises concerning the customer provided quarterly percentage report, the Company may request the customer to provide the data the customer used to determine the percentage. The customer shall retain for twelve (12) months call detail records from which the reported percentage credit can be ascertained. Upon request of the Company, the customer shall make records available for inspection as reasonably necessary for purposes of verification of the percentages and shall supply the data within 30 days of the Company's request. The Company will not request such data more than twice a year.

H. The originating premium access or non-premium access, per minute charge(s), apply to all originating access minutes of use:

- less those originating access minutes of use associated with CCFLC SWA FGA services where off-hook supervisory signaling is forwarded by the customer's equipment when the called party answers;
- less all originating access minutes of use associated with calls placed to 700, 800, and 900 numbers;
- plus all originating access minutes of use associated with calls placed to 700, 800, and 900 numbers for which the customer furnishes a report of the percentage of minutes that terminate in a CCFLC SWA service that is assessed Carrier Common Line Access Service charges, and for which a corresponding reduction in the number of terminating access minutes of use has been made as set forth in G preceding.

SECTION 3 - COMMON CARRIER LINE ACCESS (CONT'D)

3.10 Rates and Charges

A. The rate for Carrier Common Line Access is:

1. Per Originating Access Minute

Rate

CCFLC SWA FGA, FGB and FGD.

.0304

2. Per Terminating Access Minute

CCFLC SWA FGA, FGB and FGD

Port St. Joe

*

Floralta

*

Perry

*

Chattahoochee, GA

*

*The rates, charges and conditions for the provision of intrastate terminating Carrier Access Service are as specified in the NECA Tariff FCC No. 5 as it now exists, and as it may be revised, added to, or supplemented.

SECTION 4 - CARRIER ACCESS CAPACITY

TABLE OF CONTENTS

4.1	General Description
4.2	Limitations
4.3	Obligations of the IC
4.4	Minimum Periods and Credit Allowances
4.5	Rate Regulations
4.6	Rates and Charges

SECTION 4 - CARRIER ACCESS CAPACITY (CONT'D)

The Company will provide Carrier Access Capacity to ICs and End Users associated with the provision of CCFLC SWA service.

4.1 General Description

- A. Carrier Access Capacity is the busy hour minutes of capacity ordered by an IC or End User and provided by the Company for the purpose of furnishing intrastate telecommunications service.
- B. The capacity provided is based on the IC's and/or End User's order subject to the ordering regulations in sections 5 and 6 following.
- C. The installation charge associated with the capacity ordered is set forth in 6.8 following.

4.2 Limitations

- A. A telephone number is not provided with Carrier Access Capacity.
- B. Detail billing is not provided with Carrier Access Capacity.
- C. Directory listings are not provided with Carrier Access Capacity.
- D. Intercept arrangements are not provided with Carrier Access Capacity.

4.3 Obligations of the IC

- A. When the IC and/or End User reports interstate use of CCFLC SWA service, the associated Carrier Access Capacity used by the IC and/or End User for both interstate and intrastate will be apportioned as set forth in 2.3.14 preceding.

SECTION 4 - CARRIER ACCESS CAPACITY (CONT'D)

4.4 Minimum Periods and Credit Allowances

A. Minimum Period

Minimum periods are described in detail in 5 following.

B. Allowance for Interruptions

When there is an interruption to the Carrier Access Capacity provided the IC and/or End User the credit allowance for interruptions as set forth in 2.4.4 preceding apply.

C. Temporary Suspension of Service

There will be no suspension of service for Carrier Access Capacity.

4.5 Rate Regulations

A. The Carrier Access Capacity charge will be billed on a monthly basis per ordered busy hour minute of capacity installed as of the billing date each month.

B. The application of premium rates is as set forth in 6.7.13 following.

C. The Carrier Capacity charge in association with capacity used in the provision of CCFLC SWA FGA FX/ONAL type services will be billed to the IC, except in those instances when there is no IC involved in providing the service, i.e., CCFLC SWA FGA type service used for off-network access associated with a Company provided private network switch. When there is no IC involved in providing the CCFLC SWA FGA type service the end user will be billed the full Carrier Access Capacity charge.

D. The Carrier Access Capacity charge in association with the provision of CCFLC SWA FGB type service to an End User(s), will be billed to the End User(s).

SECTION 4 - CARRIER ACCESS CAPACITY (CONT'D)

4.6 Rates and Charges

A. Carrier Access Capacity Charge

1. Busy hour capacity
Per Minute

Monthly Rate

b. Consolidated Communications of Florida Company (CCFLC) 3.00
(Floral Telephone Company)

SECTION 5 - ORDERING OPTIONS FOR ACCESS SERVICES

TABLE OF CONTENTS

5.1 General

- 5.1.1 Scope
- 5.1.2 Ordering Conditions
- 5.1.3 Provision of Other Services
- 5.1.4 Special Construction

5.2 Access Order

- 5.2.1 Provision of Service
- 5.2.2 Access Order Modifications
- 5.2.3 Cancellation of an Access Order
- 5.2.4 Selection of Facilities For Access Orders
- 5.2.5 Minimum Period
- 5.2.6 Minimum Period Charges
- 5.2.7 Shared Use Facilities

5.3 Available Inventory

5.4 Shared Network Arrangement

- 5.4.1 General

SECTION 5 - ORDERING OPTIONS FOR ACCESS SERVICES (CONT'D)**5.1 General****5.1.1 Scope**

- A. This section sets forth the regulations and order related charges for Access Orders for CCFLC SWA and Dedicated Access Services. These charges are in addition to their applicable charges as set forth in other sections of this Tariff.
- B. An Access Order is an order to provide the IC with CCFLC SWA service, an End User with CCFLC SWA FGB service, an End User with Dedicated Access Service and Fast Packet Access Services or, to provide changes to existing Access services.
- C. The End User is ultimately responsible for the placing of and payment for all Dedicated Access orders and Dedicated Access charges as set forth in Sections 7 and 13 following with the following exception. Payment for Dedicated Access Service nonrecurring charges required as a result of an IC generated activity is the responsibility of the IC. IC generated activity is defined as the relocation of an IC POP.
- D. The End User is responsible for the placing of and payment for CCFLC SWA FGB orders and charges as set forth in Sections 3 and 4 preceding and Section 6 following.
- E. Any entity intending to resell private line services must be certificated by the Florida Public Service Commission as an Alternative Access Vendor (AAV) for intraexchange services, and as an AAV or Interexchange Carrier (IC) for interexchange services. Those entities certificated as an AAV or IC may resell private line services only by purchasing the like service from Section 7, Dedicated Access Services, of the Company's intrastate Access Service Tariff. Any entity certificated as an AAV or IC may purchase and resell a Local Exchange Company's (LEC's) private line service only between affiliated entities.
- F. Alternative Access Vendors (AAVs) can resell a Dedicated Access Service which is part of a dedicated interexchange private line between affiliates, and a dedicated access service to an ICs switched network without affiliate restriction. In addition, an IC can resell an interexchange private line service under its existing IC certificate with no affiliate restriction, provided the LEC provides the local channel (LC) on each end of the private line service. However, if an IC utilizes an AAV to provide the LCs, the affiliate restrictions will apply.

SECTION 5 - ORDERING OPTIONS FOR ACCESS SERVICES (CONT'D)**5.1 General (Cont'd)****5.1.2 Ordering Conditions**

- A. An IC or End User may order any number of services of the same type and between the same locations on a single Access Order. All details for services for a particular order must be identical except for multipoint service.
- B. The IC or End User shall provide all information necessary for CCFLC to provide and bill for the requested service. In addition to the order information required in 5.2 following, the IC or End User must also provide:
- Customer name and premises address(es).
 - Billing name and address (when different from customer name and address).
 - Customer contact name(s) and telephone number(s) for the following provisioning activities: order negotiation, order confirmation, interactive design, installation and billing.
- C. A customer that orders services from this Tariff as an Enhanced Service Provider (ESP) must provide a signed statement that it meets the ESP definition as provided in 2.6.
- D. CCFLC SWA service orders for CCFLC SWA FGA shall be in lines.
- E. CCFLC SWA Service orders for CCFLC SWA FGB and CCFLC SWA FGD shall be in trunks.
- F. Dedicated Access Line service must be ordered in lines for use with a CCFLC SWA FGC or CCFLC SWA FGD service which is in service or on order.
- G. The day upon which the customer has provided to CCFLC a firm commitment for the service and complete and accurate information to allow for the processing of the Access Order by three o'clock p.m. Eastern Standard Time (EST) is the Application Date. CCFLC will release an optional initial Pending Order Confirmation, which will include the CCFLC order number and circuit identification, At the customer's request, when CCFLC facility availability is verified, either a Firm Order Confirmation, which will include critical date information, or a Design and Ordering Confirmation, which will include design as well as critical date information, will be released. Critical date information will include the Service Date. The Service Date is the date service is to be made available to the customer and billing will commence.

SECTION 5 - ORDERING OPTIONS FOR ACCESS SERVICES (CONT'D)

5.1 General (Cont'd)

5.1.2 Ordering Conditions (Cont'd)

G. (Cont'd)

A Pending Order Confirmation is available for orders for GTC-provided switched access dedicated transport services, where ordered separately from other switched access services, and for CCFLC-provided special access services. A Design and Ordering Confirmation is not available for orders submitted by end users. A Pending Order Confirmation and a Design and Ordering Confirmation are not available on orders for services provided jointly with another exchange telephone company.

H. The time required to provision the service (i.e., the interval between the Application Date and the Service Date) is known as the service interval. Such intervals will be established in accordance with published service date interval guidelines which are available to ICs and End Users upon request, whether the IC's service is subject to standard or negotiated intervals. The IC or End User may request a service date other than that established pursuant to the service date interval guidelines, and the Company, where possible, will establish the service date in accordance with such request, subject, however, to other applicable provisions of this Tariff.

I. The following charges will apply for the installation, move or rearrangement of CCFLC SWA or Special Access (a.k.a. CCFLC SPA) service orders with an agreed upon service date interval of four business days or less following the Application Date of the order. These charges are in addition to other applicable CCFLC SWA or Special Access (a.k.a. CCFLC SPA) nonrecurring charges for installations, moves or rearrangements of service. These charges will not apply to services provided on a Special Services Arrangement or on an Individual Case Basis, or in the event the agreed upon Service Date, as set forth preceding, is not met, or at the request of the customer to convert from a lower to higher order of service as provided for in 2.4.9.A in this Tariff.

1. Per Service Order	Nonrecurring Charge
a. Special Access (a.k.a. CCFLC SPA)	\$365.00
b. CCFLC SWA	*

*The rates, charges and conditions for the provision of intrastate terminating Carrier Access Service are as specified in the NECA Tariff FCC No. 5 as it now exists, and as it may be revised, added to, or supplemented.

SECTION 5 - ORDERING OPTIONS FOR ACCESS SERVICES (CONT'D)

5.1 General (Cont'd)

5.1.2 Ordering Conditions (Cont'd)

- J. An IC or End User who initiates a conversion (rollover) of a CCFLC SWA DS1 to a CCFLC SWA DS3 High Capacity service is also responsible for submitting Network Channel Interface (NCI) Code Update requests, either mechanically or manually, on all sub-DS1 level circuits that ride the channelized CCFLC SWA DS1 High Capacity service being rolled over. The Company and the IC or End User will work cooperatively to establish the number of circuits which may be submitted monthly for purposes of mechanical NCI Code updates associated with rollovers of CCFLC SWA FG DS1 High Capacity service to CCFLC SWA DS3 High Capacity service.
- K. An IC who converts from an existing feature group service to an equivalent unbundled service shall do so on no lower than an end office level. The Company and the IC will work cooperatively to accomplish these conversions.

5.1.3 Provision of Other Services

- A. Testing Service, Additional Labor and Special Facilities Routing shall be ordered with an Access Order as set forth in B following. The rates and charges for these services, as set forth in other sections of this Tariff, will apply, in addition to the ordering charges set forth in this section and the rates and charges for the Access Service with which they are associated.

Note 1: Access Orders received after three o'clock p.m. EST will be processed the next business day, which will be the Application Date.

- B. With the agreement of the Company, the items listed in A preceding may subsequently be added to the order at any time, up to and including the service date for the Access Service. When added subsequently, charges for a design change as set forth in 5.2.2 following will apply when an engineering review is required.

SECTION 5 - ORDERING OPTIONS FOR ACCESS SERVICES (CONT'D)**5.1 General (Cont'd)****5.1.3 Provision of Other Services (Cont'd)**

- C. Additional Engineering is not an ordering option, but will be applied to an Access Order when the Company determines that Additional Engineering is necessary to accommodate an IC or End User request. Additional Engineering will only be required as set forth in 13.1 following. When it is required, the IC or End User will be so notified and will be furnished with a written statement setting forth the justification for the Additional Engineering as well as an estimate of the charges. If the IC or End User agrees to the Additional Engineering, a firm order will be established. If the IC or End User does not want the service or facilities after being notified that Additional Engineering of Company facilities is required, the order will be withdrawn and no charges will apply. Once a firm order has been established, the total charge to the IC or End User for the Additional Engineering may not exceed the estimated amount by more than 10 percent.
- D. The regulations, rates and charges for Additional Engineering are as set forth in 13.1 following and are in addition to the regulations, rates and charges specified in this section.

5.1.4 Special Construction

- A. The regulations, rates and charges for Special Construction are set forth in Section 14 following and are in addition to the regulations, rates and charges specified in this Tariff.

SECTION 5 - ORDERING OPTIONS FOR ACCESS SERVICES (CONT'D)**5.2 Access Order****5.2.1 Provision of Service****A. General**

An Access Order is used by the Company to provide to an IC or End User Access Service as follows:

1. CCFLC SWA services as set forth in Section 6 following.
2. Dedicated Access Services as set forth in Section 7 following, and
3. Other Services as set forth in 5.1.3 preceding.

B. Information Required

When placing an order for Access Service, the IC, End User or End User's authorized agent shall provide, at a minimum, the following information:

1. For CCFLC SWA FGA service, the IC shall specify:
 - a. Number of lines
 - b. First point of switching (i.e., the dial tone office)
 - c. Directionality of the service
 - d. CCFLC SWA Transport Options, if any
 - e. Local Switching Options, if any
 - f. Whether the off-hook supervisory signaling is to be provided by the IC's equipment or if it is to be forwarded by the IC's equipment when the called party answers
 - g. If the service is to be provided with an extension to a different exchange, (the IC's premises at which the extension is to be terminated)
 - h. Percent Interstate Usage (PIU) as specified in 2.3.14 of this Tariff
 - i. Provide Connecting Facility Assignment (CFA), if associated with a high capacity facility
 - j. For Switched Local Channel and Switched Dedicated Interoffice Channel, the capacity

SECTION 5 - ORDERING OPTIONS FOR ACCESS SERVICES (CONT'D)

5.2 Access Order (Cont'd)

5.2.1 Provision of Service (Cont'd)

B. Information Required (Cont'd)

2. For CCFLC SWA service, the IC shall specify:

- a. The number of trunks
- b. For trunks to an end office, the end office
- c. For trunks to an Access Tandem
 1. The Access Tandem Switch
 2. An Estimate of the amount of traffic it will generate to and/or from each end office subtending the access tandem (to assist the Company in its own efforts to project further facility requirements.)
- d. CCFLC SWA Transport Options, if any
- e. Local Switching Options (including BSEs), if any
- f. For terminating only access, whether the trunks are to be arranged in trunk group arrangements or provided as single trunks
- g. The traffic type using the categories specified in 6.1.1 of this Tariff following to enable efficient provisioning and billing functions.
- h. Percent Interstate Usage (PIU) as specified in 2.3.14 of this Tariff
- i. Provide Connecting Facility Assignment (CFA), if associated with a High capacity facility),
- j. For CCFLC SWA Local Channel and Switched Dedicated Interoffice Channel, the capacity

SECTION 5 - ORDERING OPTIONS FOR ACCESS SERVICES (CONT'D)**5.2 Access Order (Cont'd)****5.2.1 Provision of Service (Cont'd)****B. Information Required (Cont'd)**

3. For CCFLC SWA FGC or CCFLC SWA FGD service, the IC shall specify:
 - a. The number of CCFLC SWA FGD trunks
 1. for trunks ordered to an end office, the end office
 2. for trunks ordered to an Access Tandem, the Access Tandem Switch
 3. for trunks with coin sent-paid capability ordered to a TOPS tandem, the TOPS Tandem Switch
 4. an estimate of the amount of traffic it will generate to and/or from each end office subtending the access and/or TOPS tandem (to assist the Company in its own efforts to project further facility requirements).
 - b. CCFLC SWA Transport Options, if any
 - c. Local Switching Options (including BSEs), if any
 - d. The traffic type using the categories specified in 6.1.1 of this Tariff, to enable efficient provisions and billing functions,
 - e. Provide Connecting Facility Assignment (CFA), if associated with a high capacity facility
 - f. For CCFLC SWA Local Channel and Switched Dedicated Interoffice Channel, the capacity

The coin capable end offices and TOPS tandem switches are identified in the Wire Center Section of the NECA No. 4 Tariff.

SECTION 5 - ORDERING OPTIONS FOR ACCESS SERVICES (CONT'D)**5.2 Access Order (Cont'd)****5.2.1 Provision of Service (Cont'd)****B. Information Required (Cont'd)**

4. For CCFLC SWA FGD with CCFLC SWA CCSAC in addition to the information listed in 3 preceding, the IC shall provide: a reference to existing signaling connections or reference to a related CCFLC SWA CCSAC signaling connection order; CCFLC SWA CCSAC Local Switching options, if any; for CCFLC CCS7 Signaling Connections, STP point codes and location identifier codes, circuit identification codes and switch type; and, for CCFLC CCS7 Signaling Connections, specification of the level of diversity in its network, as defined in the Telcordia Guidelines to Technical Publication TR-TSV-000905.

Service Installation Guarantees, as set forth in 2.4.10 of this Tariff, are not applicable for the installations of CCSAC signaling.

For CCFLC SWA FGD with 64 Clear Channel Capability (CCC, in addition to the information listed in 3 and 4 preceding, the IC shall specify 64 CCC Local Switching Options, if any.

5. When ordering Operator Transfer Service, the IC shall specify the number of new or additional CCFLC SWA FGC or CCFLC SWA FGD Trunks desired, if any, to carry originating traffic from the Operator Services System location to the IC location in each LATA served by the Operator Services System where the IC requests Operator Transfer Service.
6. For CCFLC Inward Operator Services (IDS) Access Service, the IC shall specify:
 - a. For trunks to an IDS location
 1. The IDS location
 2. The number of trunks required to carry the IC's IDS traffic to the IDS location in 1 preceding
7. For CCFLC SWA Common Transport IP Option the IC shall specify:
 - a. An estimate of the amount of traffic it will generate to each access tandem stated in minutes of use.

SECTION 5 - ORDERING OPTIONS FOR ACCESS SERVICES (CONT'D)**5.2 Access Order (Cont'd)****5.2.1 Provision of Service (Cont'd)****C. Traffic Engineering Responsibilities**

1. The IC is responsible to assure that sufficient access facilities have been ordered to handle its traffic.
2. When ordering CCFLC SWA service, the trunks may be determined by the IC in the following manner. For each day the IC shall determine the highest number of trunks in use for a single hour. The IC shall, for the same hour period (i.e., busy hour), pick the twenty consecutive business days in a calendar year which add up to the largest number of trunks in use. The IC shall then determine the average busy hour trunks by dividing the largest number of trunks in use figure, for the same hour period, for the twenty consecutive business day period by 20. This computation shall be performed for each end office and/or access tandem the IC wishes to serve.
3. If data to develop a twenty-consecutive day period is not available, the IC may use a twenty day period that contains as many consecutive days as is available.
4. When an IC desires CCFLC SWA service to an end office that is a remote switching office, the IC must order to the host office which controls the remote switching office since all traffic to and/or from a remote switching office must be routed through the host office.
5. When ordering Dedicated Access Services from this Tariff: the IC or End User must provide a Percent Interstate Usage (PIU) of 0 percent. The jurisdiction will be determined as set forth in 2.3.14.A.9 of this Tariff.
6. When ordering Dedicated Access Line Service from this Tariff, the IC must provide a Percent Interstate Usage (PIU) of 0 percent. The jurisdiction will be determined as set forth in 2.3.14.A.9 of this Tariff
7. For all access services ordered by an i.e., proof of certification by the Florida Public Service Commission must be provided by the IC to the Company in accordance with the provisions in 2.3 of this Tariff.

SECTION 5 - ORDERING OPTIONS FOR ACCESS SERVICES (CONT'D)**5.2 Access Order (Cont'd)****5.2.1 Provision of Service (Cont'd)****D. Determination of CCS7 Signaling Connections and Terminations**

The customer shall work cooperatively with the Company to determine the number of CCS7 Signaling Connections and CCS7 Signaling Terminations required to handle its signaling traffic.

E. CCFLC SWA 500 Service

For CCFLC SWA 500 service, as described in 6.2 following, the IC shall order in the same manner which is set forth preceding for ordering CCFLC SWA FGC and CCFLC SWA FGD, except that IC must order CCFLC SWA FGC and CCFLC SWA FGD to all end offices within the IC designated LATA(s), either through the tandem or by direct connections to the end office.

The IC is also responsible for reporting to the Company the percent interstate usage (PIU) for CCFLC SWA 500 service as set forth in 2.3.14 of this Tariff

F. CCFLC SWA 8XX Toll Free Dialing Ten Digit Screening Service

For CCFLC SWA 8XX Toll Free Dialing Ten Digit Screening Service as described in 6.2.5 of this Tariff, the IC shall order in the same manner which is set forth preceding for ordering CCFLC SWA FGD except that the IC must order CCFLC SWA FGD to all access tandems or direct connections to all end offices designated by the Company as Service Switching Points for CCFLC SWA 8XX Toll Free Dialing Ten Digit Screening Service within the LATA. Direct trunk routes cannot be provided unless the end office is equipped to provide the IC identification function. All traffic originating from end offices not equipped to provide the IC identification function require routing via the serving access tandem at which the function is available. Service must be ordered accordingly.

The IC is also responsible for reporting to the Company the percent interstate usage (PIU) for CCFLC SWA 8XX Toll Free Dialing Ten Digit Screening Service as set forth in 2.3.14 of this Tariff.

SECTION 5 - ORDERING OPTIONS FOR ACCESS SERVICES (CONT'D)**5.2 Access Order (Cont'd)****5.2.1 Provision of Service (Cont'd)****G. CCFLC 8XX Toll Free Dialing Number Administration Service**

When ordering CCFLC 8XX Toll Free Dialing Number Administration service as described in 13.3.12 of this Tariff, the IC must, at a minimum, provide the following information to the Company:

- Area of service
- Name(s) of intraLATA and interLATA carrier(s), as applicable
- Access Carrier Name Abbreviation (ACNA) Code of the interLATA and intraLATA carrier, as applicable
- Activation date

When the POTS number is to be delivered to an IC, the IC must provide the full 10-digit POTS number to be associated with the 800 number and must indicate to whom the POTS number is to be delivered. In addition, the IC must also provide the POTS numbers associated with the intraLATA portion of CCFLC SWA 8XX Toll Free Dialing Ten Digit Screening Service for subscribers who will use the Company for intraLATA CCFLC SWA 8XX Toll Free Dialing Ten Digit Screening Service.

For the transport of any intraLATA 800 call by the Company, the IC must provide the end user billing information necessary for the Company to bill the appropriate intraLATA rates.

If the IC desires any of the options available with CCFLC 8XX Toll Free Dialing Number Administration Service as set forth in 13.3.12 of this Tariff, these must also be specified on the order for service.

- H. For all Dedicated Access Services, the End User or End User's authorized agent must specify the IC terminal location and end user premises or Hubs involved, the channel type (e.g., Voice Grade, High Capacity, etc.) the channel interface, technical specification package and options desired. For multipoint services, the channel interface at each end user premises may be different but all such interfaces shall be compatible.
- I. For CCFLC SWA Transport Services, the IC must specify the Facility Hubs involved, if applicable, the channel type (e.g. Switched Voice Grade, Switched DS1, etc.), the channel interface and any options desired.

SECTION 5 - ORDERING OPTIONS FOR ACCESS SERVICES (CONT'D)**5.2 Access Order (Cont'd)****5.2.1 Provision of Service (Cont'd)**

- J. Where the Dedicated Access or WATS Access Line (a.k.a. CCFLC SPA WATS Line) service is exempt from the Dedicated Access Surcharge as set forth in Section 7 of this Tariff, the IC shall furnish with the order the certification as set forth in that section.
- K. For WATS Access Line (a.k.a. CCFLC SPA WATS Line) service, the IC must also specify the type of calling (i.e., Originating Only, Terminating Only, or Two-Way) for which the service is to be provided. Additionally, when necessary screening functions are not provided at the wire center, which serves the IC's originating or terminating premises, the Company will provide the service to the nearest wire center where the capability exists. In these circumstances, the IC will be so notified and the order will be changed to designate the appropriate premises. No charge will apply for the change.
- L. To enable an IC to receive flat rate treatment on a WATS Access Line (a.k.a. CCFLC SPA WATS Line) used to provide terminating service (i.e., CCFLC SWA 8XX Toll Free Dialing Ten Digit Screening service), the IC must specify, by jurisdiction, the telephone number which is used to route the call.
- M. For CCFLC SWA 900 Service, the IC shall order in the same manner which is set forth preceding for ordering CCFLC SWA FGD with the following exception. The IC must order CCFLC SWA FGD to all access tandems or direct connections to all end offices designated by the Company as CCFLC SWA 900 service screening offices within a LATA. Direct trunk routes cannot be provided unless the end office is equipped to provide the IC identification function. All traffic originating from end offices not equipped to provide the IC identification function will require routing via the access tandem at which the function is available. Service must be ordered accordingly. In addition, the IC shall specify whether 900 NXX codes provided to the IC should be arranged for 1+ dialing only or for both 1+ and 0+ dialing. All 900 NXXs provided to an individual IC will be arranged for either 1+ dialing only or for both 1+ and 0+ dialing.

When the IC desires activation of a 900 NXX code for 900 NXX screening the IC shall submit an Access Service Request (ASR) whether or not additional capacity is required.

SECTION 5 - ORDERING OPTIONS FOR ACCESS SERVICES (CONT'D)**5.2 Access Order (Cont'd)****5.2.1 Provision of Service (Cont'd)**

- N. For CCFLC Billing Name and Address for ANI service, in addition to the ordering conditions set forth in 5.1.2 of this Tariff, the IC shall also provide the following:
1. The IC's Carrier Identification Code (CIC) or pseudo CIC code and Access Carrier Name Abbreviation (ACNA). In the event the IC does not have such an assignment the IC must contact the Company for this assignment.
 2. A list of Carrier Identification Codes (CICs) or pseudo CIC codes and Access Carrier Name Abbreviation (ACNA) for whom billing services are being performed.
 3. The established Company Carrier Access Billing System (CABS) Account (CO7) number and if no account exists the Company will establish a C07 account for billing purposes.
- O. The Service Installation Guarantee, as set forth in 2.4.10 of this Tariff is applicable to specified services offered in this Tariff. The Service Installation Guarantee is applied on a per service order basis for CCFLC SWA services. The Service Installation Guarantee is applied on a per circuit basis for Dedicated Access Services.
- Service Installation Guarantee, as set forth in 2.4.10 of this Tariff, is not applicable for the installation of CCS7 Access Arrangement.
- P. For CCFLC SWA FGB and CCFLC SWA FGD and service to a Mobile Telephone Switching Office (MTSO) directly interconnected to a Company Access Tandem Office, the IC shall provide information to the Company indicating the NXX codes(s) to be accessed.

SECTION 5 - ORDERING OPTIONS FOR ACCESS SERVICES (CONT'D)

5.2 Access Order (Cont'd)

5.2.1 Provision of Service (Cont'd)

Q. When ordering CCFLC Remote Access Service, in addition to subscribing to the service by meeting the conditions set forth in 5.1.2 and 5.2.1.B.1 of this Tariff, the customer shall:

1. coordinate their access service request through a customer account team;
2. populate the project field on the access service request with "BST-RAS";
and
3. negotiate service intervals for CCFLC Remote Access Service.

R. CCFLC SWA Common Transport IP Option

For CCFLC SWA Common Transport IP Option, as described in 6.2.14 of this Tariff, the IC shall:

1. coordinate their Access Order through a customer account team;
2. populate fields on the Access Order with information provided by the customer account team.

SECTION 5 - ORDERING OPTIONS FOR ACCESS SERVICES (CONT'D)**5.2 Access Order (Cont'd)****5.2.2 Access Order Modifications**

- A. The IC or End User may request a modification of its Access Order at any time prior to notification by the Company that service is available for the IC or End User's use or to the service date whichever is earlier. The Company will make every effort to accommodate a requested modification when it is able to do so with the normal work force assigned to complete such an order within normal business hours. If the modification cannot be made with the normal work force during normal business

Hours, the Company will notify the IC or End User. If the IC or End User still desires the Access Order modification, the Company will schedule a new service date. All charges for Access Order modification will apply on a per occurrence basis.

- B. Any increase in the number of Dedicated Access Service channels, , or CCFLC SWA service lines, trunks or CCFLC SWA Transport facilities or CCFLC SWA CCS7 Signaling Connections and CCS7 Signaling Terminations will be treated as a new Access Order (for the increased amount only).
- C. If order modifications are necessary to satisfy the transmission performance for a Dedicated Access Service ordered by an IC or End User, these changes will be made without order modification charges being incurred by the End user.
- D. Service Date Change Charge
1. Access Order service dates for installation of new services or rearrangements of existing services, may be changed, but the new service date may not exceed the original service date by more than 30 calendar days. When, for any reason, the IC or End User indicates that service cannot be accepted for a period not to exceed 30 calendar days, and the Company accordingly delays the start of service, a Service Date Change Charge will apply. If the IC or End User requested service date is more than 30 calendar days after the original service date, the order will be cancelled by the Company and re-issued with appropriate cancellation charges applied unless the IC or End User indicates that billing for the service is to commence as set forth in 5.2.7 of this Tariff:

SECTION 5 - ORDERING OPTIONS FOR ACCESS SERVICES (CONT'D)

5.2 Access Order (Cont'd)

5.2.2 Access Order Modifications (Cont'd)

- D. 2. Failure to notify the Company prior to the original service date to request a different service date may result in the application of a Service Date Change-Additional Dispatch Charge for installations, moves and rearrangement of services. If a Company technician is dispatched to the IC or End User's premises on the scheduled service date and the IC or End User has failed to notify the Company before three o'clock p.m. EST on the business day prior to the scheduled service date that it wishes to change the service date, the Company will delay the start of service pending negotiations with the IC or End User. If the IC or End User reschedules the service date, a Service Date Change-Additional Dispatch Charge will apply in addition to a Service Date Change Charge as specified in 4(a), following. If the IC or End User cancels the service date, cancellation charges will apply in accordance with terms and conditions for cancellation charges as set forth in 5.2.3 following. Cancellation of the order will not preclude the application of the Service Date Change Charge and Service Date Change-Additional Dispatch Charge assessed for prior occurrences on the same order.
3. A new service date may be established that is prior to the original service date, if the Company determines it can accommodate the IC's or End User's request without delaying service dates for orders of other ICs, or End Users.
4. A Service Date Change Charge will apply, on a per order per occurrence basis, for each service date changed. The Service Date Change-Additional Dispatch Charge will apply for each occurrence of a technician dispatch to the IC's or customer's premises when the customer is not ready for service as specified in D.2 preceding. The applicable charges are:
- | | <u>Nonrecurring
Charge</u> |
|---|--------------------------------|
| a. Service Date Change Charge, per Order | * |
| b. Service Date Change-Additional Dispatch Charge, per Occurrence | * |

*The rates, charges and conditions for the provision of intrastate terminating Carrier Access Service are as specified in the NECA Tariff FCC No. 5 as it now exists, and as it may be revised, added to, or supplemented.

SECTION 5 - ORDERING OPTIONS FOR ACCESS SERVICES (CONT'D)**5.2 Access Order (Cont'd)****5.2.2 Access Order Modifications (Cont'd)****D. Service Date Change Charge (Cont'd)**

5. For multiple orders with the same service date for the same customer premises, only one Service Date Change-Additional Dispatch Charge will apply. However, a Service Date Change Charge will apply for each order.
6. Service Installation Guarantee, as set forth in 2.4.1 0 preceding, is not applicable for Service Date Change charges.

E. Partial Cancellation Charge

1. Any decrease in the number of ordered Dedicated Access Service channels, or CCFLC SWA Service Lines, Trunks or CCFLC SWA Transport facilities, CCS7 Signaling Connections and CCS7 Signaling Terminations or WATS Access Lines (a.k.a. CCFLC SPA WATS Lines) will be treated as a partial cancellation and the charges as set forth in 5.2.3.B following will apply.

F. Design Change Charges

1. The IC or End User may request a design change to the service ordered. A design change is any change to an Access Order which requires engineering review. An engineering review is a review by Company personnel, of the service ordered and the requested changes to determine what changes in the design, if any, are necessary to meet the changes requested by the IC or End User. Design changes include such things as the addition or deletion of optional features or functions or a change in the type of CCFLC SWA Transport Termination type of channel interface, type of Interface Group or technical specification package. Design changes do not include a change of IC terminal location, End User premises, end office switch, CCFLC SWA FG type, or Dedicated Access Service channel type. Changes of this nature will require the issuance of a new order and the cancellation of the original order with appropriate cancellation charges applied.

 SECTION 5 - ORDERING OPTIONS FOR ACCESS SERVICES (CONT'D)

5.2 Access Order (Cont'd)

5.2.2 Access Order Modifications (Cont'd)

F. Design Change Charges (Cont'd)

2. Should an IC or End User requested design change be received on a pending access order that results in the establishment of a new service date that exceeds the original service date by more than 30 days, the IC or End User shall not be required to cancel and reissue a new order, but shall be billed a Design Change Charge and a Service Date Change Charge.

3. The Company will review the requested change, notify the IC or End User whether the change is a design change, if it can be accommodated and if a new service date is required. If the IC or End User authorizes the Company to proceed with the design change, a Design Change Charge will apply. The Design Change Charge will apply on a per order, per occurrence basis, for each order requiring a design change. The applicable charge is:

Nonrecurring
Charge

a. Design change charge, per order *

Service Installation Guarantee, as set forth in 2.4.10 preceding, is not applicable for Design Change Charge.

4. If a change of service date is required, the Service Date Change Charge as set forth in D preceding will also apply.

*The rates, charges and conditions for the provision of intrastate terminating Carrier Access Service are as specified in the NECA Tariff FCC No. 5 as it now exists, and as it may be revised, added to, or supplemented.

SECTION 5 - ORDERING OPTIONS FOR ACCESS SERVICES (CONT'D)**5.2 Access Order (Cont'd)****5.2.3 Cancellation of an Access Order**

A. An IC or End User may cancel an Access Order for the installation of service on any day prior to the service date. The cancellation date is the date the Company receives written or verbal notice from the IC or End User that the order is to be cancelled. The verbal notice must be followed by written confirmation within 10 days. If an IC or an End User is unable to accept Access Service within 30 calendar days after the original service date, the IC or End User has the choice of the following options:

1. The Access Order shall be cancelled and charges set forth in B following will apply, or
2. Billing for the service will commence.

In any event, the cancellation date or the billing is to commence, depending on which option is selected by the IC or End User, shall be the 31st day beyond the original service date of the Access Order.

B. When an IC or End User cancels an Access Order for the installation of service, a Cancellation Charge will apply as follows:

1. Costs incurred in conjunction with the provision of Switched Access Service or Dedicated Access Service starts on the Application Date as defined in 4.b following.
2. When the IC or End User cancels an Access Order prior to the Design Layout Report Date, as defined in 4.b following, no charges shall apply.
3. When the IC or End User cancels an Access Order on or after the Design Layout Report Date, a charge equal to the estimated costs incurred by the Company shall apply. Such charge is determined as specified in 4 following.

SECTION 5 - ORDERING OPTIONS FOR ACCESS SERVICES (CONT'D)**5.2 Access Order (Cont'd)****5.2.3 Cancellation of an Access Order (Cont'd)****B. (Cont'd)**

4. Charges applicable as specified in 3 preceding are based on the estimated costs incurred by the Company at the time the order is cancelled. The estimated costs incurred are determined based on the following:

a. Certain Company critical dates are associated with an Access Order provisioning interval, whether standard or negotiated. These dates are used by the Company to monitor the progress of the provisioning process. At any point in the Access Order interval the Company is able to determine which critical date was last completed and can thus determine what percentage of the Company's provisioning costs have been incurred as of that critical date.

b. The critical dates tracked by the Company are as follows:

Application Date (APP):

The date the IC or End User provides to the Company a firm commitment for service and sufficient information as detailed in 5.1 preceding to enable the Company to begin service provisioning. This is also the order date.

Scheduled Issue Date (SID):

The date that the order is to enter the Company's order distribution system.

Loop Assignment and Make-up Date (LAM):

The date by which Local Loop Assignment and Make-up information must be available.

Design Layout Report Date (DLRD):

The date the Design Layout Report (DLR) is forwarded to the IC or End User.

Records Issue Date (RID):

The date that all design and assignment information is to be sent to the central office and installation forces.

SECTION 5 - ORDERING OPTIONS FOR ACCESS SERVICES (CONT'D)

5.2 Access Order (Cont'd)

5.2.3 Cancellation of an Access Order (Cont'd)

B. (Cont'd)

4. (Cont'd)

b. (Cont'd)

Designed, Verified, and Assigned Date (DVA):

The date by which field implementation groups must report that all documents and materials have been received.

Wired and Office Tested Date (WOT):

The date by which all intraoffice wiring is to be completed, all plug-ins optioned, aligned, and frame continuity established, and the interoffice facilities, if applicable, tested. In addition, switching equipment, including translation loading, is to be installed and tested.

Frame Continuity Date (FCD):

Date on which frame-to-frame testing must be completed. This is sometimes referred to as the Facility Continuity Check Date.

Plant Test Date (PTD):

The date on which overall testing of the service is to be started.

Engineering Information Report Date (EIRD):

The date the engineering group in another ISS area provides information to the primary engineering group.

Service Date (DD):

The date on which service is to be made available to the IC or End User. This is sometimes referred to as the Due Date.

Confirming Design Layout Report Date (CDLRD):

The date the Design Layout Report (DLR) is to be confirmed by the IC or End User.

SECTION 5 - ORDERING OPTIONS FOR ACCESS SERVICES (CONT'D)

5.2 Access Order (Cont'd)

5.2.3 Cancellation of an Access Order (Cont'd)

B. (Cont'd)

4. (Cont'd)

- c. The percentage of the total provisioning cost incurred by the Company at a particular critical date varies by the type of service as shown in d following.
- d. When an IC or End User cancels an Access Order, or part of an Access Order, before the service date, the Company will apply cancellation charges to the order. Cancellation charges are calculated by multiplying all the nonrecurring charges associated with the order, or that part of the order being cancelled, by the percentage shown in e following for the critical date last completed on the order.

Note: As set forth in 5.2.4.B.2, when an IC or End User cancels an order prior to the Design Layout Report Date, no cancellation charges shall apply.

SECTION 5 - ORDERING OPTIONS FOR ACCESS SERVICES (CONT'D)

5.2 Access Order (Cont'd)

5.2.3 Cancellation of an Access Order (Cont'd)

B. (Cont'd)

4. (Cont'd)

e. The resulting cancellation charge is also shown as follows:

1. Cancellation Charge Percentages No. 1

<u>Type Service Critical Dates</u>	<u>After:</u>	<u>APP</u>	<u>LAM</u>	<u>DLRD</u>	<u>SID</u>	<u>EIRD</u>	<u>RID</u>
	<u>Before:</u>	<u>SID</u>	<u>EIRD</u>	<u>RID</u>	<u>LAM</u>	<u>DLRD</u>	<u>DVA</u>
DEDICATED ACCESS							
WATS (a.k.a. CCFLC SPA)		3.8%	9.6%	11.9%	16.2%	21.4%	29.6%
Voice Grade (a.k.a. CCFLC SPA DS0 VG)		3.8%	9.5%	11.9%	16.1%	21.3%	29.7%
Telegraph Grade (a.k.a. CCFLC SPA Telegraph)		.8%	9.5%	11.9%	16.1%	21.3%	29.7%
Metallic Grade (a.k.a. CCFLC SPA Metallic)		3.8%	9.5%	11.9%	16.1%	21.3%	29.7%
Program Audio (a.k.a. CCFLC SPA Program Audio)		3.6%	9.1%	11.3%	15.3%	20.3%	28.3%
Digital Data Access (a.k.a. CCFLC SPA DS0 Digital Data)		3.6%	9.1%	11.4%	16.1%	21.9%	28.5%
CCFLC Metro Ethernet service		11.6%	33.1%	42.9%	44.8%	47.3%	53.1%
CCFLC SWA							
Trunks or Lines		8.6%	17.2%	17.2%	22.1%	28.0%	41.1%
High Capacity (a.k.a. CCFLC SPA High Capacity)		3.7%	9.3%	11.5%	15.6%	20.6%	28.8%

SECTION 5 - ORDERING OPTIONS FOR ACCESS SERVICES (CONT'D)

5.2 Access Order (Cont'd)

5.2.3 Cancellation of an Access Order (Cont'd)

B. (Cont'd)

4. (Cont'd)

e. The resulting cancellation charge is also shown as follows:

2. Cancellation Charge Percentages No. 2

<u>Type Service Critical Dates</u>	<u>After:</u>	<u>DVA</u>	<u>WOT</u>	<u>FCD</u>	<u>PTD</u>	<u>DD</u>
	<u>Before:</u>	<u>WOT</u>	<u>FCD</u>	<u>PTD</u>	<u>DD</u>	
DEDICATED ACCESS						
WATS (a.k.a. CCFLC SPA)		39.7%	47.5%	69.6%	93.3%	100.0%
Voice Grade (a.k.a. CCFLC SPA DS0 VG)		39.5%	47.2%	69.5%	93.4%	100.0%
Telegraph Grade (a.k.a. CCFLC SPA Telegraph)		39.5%	47.2%	69.5%	93.4%	100.0%
Metallic Grade (a.k.a. CCFLC SPA Metallic)		39.5%	47.2%	69.5%	93.4%	100.0%
Program Audio (a.k.a. CCFLC SPA Program Audio)		37.6%	45.0%	68.6%	93.7%	100.0%
Digital Data Access (a.k.a. CCFLC SPA DS0 Digital Data)		36.0%	45.2%	69.9%	93.9%	100.0%
CCFLC Metro Ethernet service		53.1%	69.9%	85.6%	94.9%	100.0%
CCFLC SWA						
Trunks or Lines		60.5%	67.8%	79.7%	95.8%	100.0%
High Capacity (a.k.a. CCFLC SPA High Capacity)		38.3%	45.8%	68.9%	93.6%	00.0%

SECTION 5 - ORDERING OPTIONS FOR ACCESS SERVICES (CONT'D)**5.2 Access Order (Cont'd)****5.2.3 Cancellation of an Access Order (Cont'd)**

- C. When a customer cancels an order service for Dedicated Ring service prior to the beginning of the selected service period, the customer will be liable for all capital expenses incurred by the Telephone Company in provisioning the Dedicated Ring service, as of the date the order is canceled by the customer. The charges billed to the customer will not exceed an amount equal to the minimum period for the service as set forth in 6.1.3 and 7.4 following of this tariff at the month-to-month rates set forth in 6.8 and 7.5 of this tariff. Such charges will be billed in addition to and subsequent to the cancellation charges set forth in 5.2.3.B preceding.
- D. When an IC or End User cancels an order for the discontinuance of service no charges apply for the cancellation.
- E. If the company misses a service date by more than 30 days due to circumstances over which it has direct control (excluding e.g., acts of God, government requirements, work stoppages and civil commotions), the IC or End User may cancel the Access Order without incurring cancellation charges.

5.2.4 Selection of Facilities For Access Orders

- A. When an IC or End User places an Access Order, it may choose to utilize facilities it previously purchased as a facility to a Hub. If the IC has a high capacity interface or has a purchased facility, or has a Dedicated Access Service facility purchased to a Hub, the IC or End User must request that specific channels be used to implement the Access Order. If a facility assignment is not provided by the IC or End User, the Company will provide the service from available inventory as discussed in 5.3 following.
- B. For all other Access Orders, the option to request a specific transmission path or channel is not provided, except as provided for under Special Facilities Routing as set forth in Section 11 of this Tariff.
- C. Reserved for Future Use

SECTION 5 - ORDERING OPTIONS FOR ACCESS SERVICES (CONT'D)**5.2 Access Order (Cont'd)****5.2.4 Selection of Facilities For Access Orders (Cont'd)**

- D. Changes other than those identified in 6.7.1 of this Tariff or 7.A.1 following will be treated as a discontinuance of the existing service and an installation of a new service. All associated nonrecurring charges will apply for the new service. A new minimum period will be established for the new service. The IC or End User will also remain responsible for all outstanding minimum period obligations associated with the disconnected service.

The following changes are those which will be treated as a discontinuance and installation of service and for which a new minimum period will be established.

1. A move to a different building as set forth in 6.7.7 or 7.4.4 of this Tariff.
 2. A change in type of service (i.e., CCFLC SWA to Dedicated Access, one type of Dedicated Access to another, or one type of CCFLC SWA service to another except as set forth in 6.7.6 of this Tariff).
 3. A change in the type of Dedicated Access Service Local Channel or Switched Local Channel.
 4. A change in the interface for CCFLC SWA service or CCFLC Directory Assistance service.
 5. Change in CCFLC SWA service traffic type.
 6. Change from two-point to multipoint Dedicated Access Service or from multipoint to two-point Dedicated Access Service.
- E. An IC or End User may request disconnect of an access service at any time after the service has been established. The IC or End User must give the Company at least one business day written or verbal notice prior to the desired disconnect date. The one business day notice period will begin on the date the Company first receives the disconnect notification, either written or verbal. The verbal notice must be followed by written confirmation within 10 days.
- F. When Access Service is disconnected prior to the expiration of the minimum period, the IC or End User is obligated for payment of the minimum period charge as set forth in 2.4.9 of this Tariff and 5.2.6 following. When Access Service is disconnected after the expiration of the minimum period, billing for the service will be performed in accordance with the provisions set forth in 2.4.1.C of this Tariff.

SECTION 5 - ORDERING OPTIONS FOR ACCESS SERVICES (CONT'D)**5.2 Access Order (Cont'd)****5.2.5 Minimum Period**

- A. Except as set forth in 2.4.2 of this Tariff, B and C following, the minimum period for which charges are applicable for Access Service is one month.
- B. The minimum service period for CCFLC Remote Access Service is twelve months, The minimum service period for CCFLC Metro Ethernet service is four months.
- C. Service Rearrangements and Transfer of Service as set forth in 6.7.1 of this Tariff and 7.A.1 following for CCFLC SWA and Dedicated Access Services respectively, may be made without a change in minimum period requirements.

5.2.6 Minimum Period Charges

- A. When Access Service is discontinued prior to the expiration of the minimum period, charges are applicable for the balance of the minimum period. The disconnect date is the final date the IC or End User has use of the service. The Minimum Period Monthly Charge, for services provided with a one month minimum period will be determined as follows:
 - 1. For CCFLC SWA service, usage sensitive rate elements (i.e. Carrier Common Line, Local Switching, Access Tandem Switching, CCFLC SWA Common Transport, and Interconnection), the charge for a month or fraction thereof is equal to the applicable rates for the actual or assumed usage for the month or such fraction thereof.
 - 2. For CCFLC SWA Transport components which are not usage sensitive (i.e., Switched Local Channel and Switched Dedicated Interoffice Channel and Channelization Equipment), the charge for a month or fraction thereof is the applicable monthly rates for the service as set forth in 6.8 of this Tariff.

Note 1: Specific regulations for CCFLC Metro Ethernet service minimum period, service rearrangements (reconfigurations) and changes are provided in 7.A.32 of this Tariff.

SECTION 5 - ORDERING OPTIONS FOR ACCESS SERVICES (CONT'D)**5.2 Access Order (Cont'd)****5.2.6 Minimum Period Charges (Cont'd)****A. (Cont'd)**

3. For Dedicated Access Service, the charge for a month or fraction thereof is the applicable monthly rate for the service as set forth in 7.5 following.
4. For CCFLC SWA service Dedicated Access Lines, the charge for each remaining month and/or fraction thereof is the applicable monthly rate for the service as set forth in 6.7.3 following.
5. The Minimum Period Charges for CCFLC SWA FGD service are set forth in 2.4 preceding.

B. Extraordinary circumstances may exist under which minimum period charges may be waived with Florida Public Service Commission approval.

C. All applicable nonrecurring charges for the service will be billed in addition to the Minimum Period Charge.

D. Should billing for a service which is disconnected prior to the expiration of the Minimum Period cover multiple billing cycles, the bill reflecting the disconnect of service will be adjusted to account for that portion of the Minimum Period Charge previously billed to the IC. In no event shall the total recurring charge billed to the IC for such service exceed the applicable Minimum Period Charge.

All applicable nonrecurring charges associated with the provision of service will be billed in addition to the Minimum Period Charge. Such nonrecurring charges include the nonrecurring charge for the installation of service and/or optional features, Service Order Modification Charges, Additional Engineering and Labor Charges, if any, etc.

SECTION 5 - ORDERING OPTIONS FOR ACCESS SERVICES (CONT'D)**5.2 Access Order (Cont'd)****5.2.7 Shared Use Facilities**

Shared Use occurs when CCFLC SWA and Dedicated Access services are provided over the same high capacity facility through a common interface. The facility may be ordered either as digital high capacity CCFLC SWA or Dedicated Access.

Billing will commence for the high capacity facility as soon as the facility is turned over to the IC for use (i.e., on the service date). Such billing will include charges for the Local Channel or Switched Local Channel, the Channelization Equipment (i.e., the multiplexer) and the interoffice transport mileage, if any. Nonrecurring installation charges will also apply at this time.

Such billing will continue until such time as the IC requests, by placing an order for service, that one or more of the derived channels be used in the provisioning of an end to end CCFLC SWA or Dedicated Access service. When the end to end service is turned over to the IC for use, the existing billing may be modified and billing for the end to end service will commence.

When the original facility is ordered as Dedicated Access, the billing change to the existing facility, if any, will depend on whether the end to end service provisioned over the derived channel(s) is Dedicated or CCFLC SWA. If Dedicated Access service, the billing for the facility will not change but additional billing will commence for the end to end service provisioned over the facility. This billing will include an additional local channel(s) and interoffice mileage, if applicable, of a lower capacity level (e. g. voice grade),

When the original facility is ordered as Dedicated Access and CCFLC SWA service is provisioned over a derived channel(s), the Dedicated Access billing for the original facility will be reduced in direct proportion to the number of channels being utilized for CCFLC SWA service. For example, if six channels of CCFLC SWA DS1 are to be used for CCFLC SWA, the Dedicated Access rate will be reduced by one fourth. The IC will be billed one fourth of the CCFLC SWA DS1 rate, plus all other applicable CCFLC SWA charges for the CCFLC SWA service provided.

SECTION 5 - ORDERING OPTIONS FOR ACCESS SERVICES (CONT'D)**5.2 Access Order (Cont'd)****5.2.7 Shared Use Facilities (Cont'd)**

When the original facility is ordered as CCFLC SWA, the billing charge to the existing facility, if any, will depend on whether the end to end service provisioned over the derived channel(s) is CCFLC SWA or Dedicated Access service. If CCFLC SWA service, the billing for the facility will not change but additional billing will commence for the end to end service provisioned over the facility. This billing will include local switching, line terminations, carrier common line and additional interoffice transport at a lower capacity, if applicable.

When the original facility is ordered as CCFLC SWA and Dedicated Access service is provisioned over a derived channel(s), the CCFLC SWA billing for the original facility will be reduced in direct proportion to the number of channels being utilized for Dedicated Access service. For example, if six channels of a CCFLC SWA DS1 are to be used for Dedicated Access, the CCFLC SWA rate will be reduced by one fourth, The IC will be billed three fourths of the CCFLC SWA DSI rate, plus all other applicable CCFLC SWA charges. The IC will be billed one fourth of the Dedicated Access DS1 rate, plus all other applicable charges for the Dedicated Access service provided.

5.3 Available Inventory

Available inventory is limited and does not include facilities previously ordered. The Company will make every reasonable effort to maintain sufficient available inventory to provide Access Service in accordance with the IC's or End User's requested service date intervals. To the extent that service can be provided, Access Orders will be satisfied from available inventory.

SECTION 5 - ORDERING OPTIONS FOR ACCESS SERVICES (CONT'D)**5.4 Shared Network Arrangement****5.4.1 General**

- A. Shared Network Arrangement (SNA) is a service offering whereby multiple interexchange carriers (ICs) may share capacity on high capacity channelized services. SNA service configurations will be limited to ICs utilizing CCFLC SWA DS3 service sharing capacity with other ICs utilizing sub-CCFLC SWA DS3 services and/or ICs utilizing CCFLC SWA DS1 service sharing capacity with other ICs utilizing sub-CCFLC SWA DS1 services. Each rate element, associated with the SNA, will be billed to a single subscriber and the Company will maintain separate records (including billing and network configuration) for each IC's portion of the SNA.
- B. The CCFLC SWA DS3 and CCFLC SWA DS1 Service ICs who are sharing capacity on their services with others are considered to be the host subscribers under these arrangements. The host subscriber is considered the IC for the higher level service and is solely responsible for payment of the rate elements for such level of service, from the subscriber's terminal location through channelization. Each service user of the lower level service is responsible for payment of the charges associated with lower level service. Under the SNA, the Company may share, with the host subscriber record information pertaining to the services of other users of the shared network. Such disclosure will be under the sole discretion of the Company as is necessary to perform billing reconciliations and/or other functions required in connection with maintaining account records.
- C. Each subscriber entering into the SNA is solely responsible to the Company for charges associated with that subscriber's portion of the shared network.
 1. For example, for CCFLC SWA Dedicated Transport Shared Network Arrangements, the host IC would be responsible for a CCFLC SWA DS3 Service Switched Local Channel and the DS3 to DS1 Channelization Equipment. The service user will be responsible for payment of the Switched Dedicated Interoffice Channel charges as well as any end office based CCFLC SWA charges associated with the service.

SECTION 5 - ORDERING OPTIONS FOR ACCESS SERVICES (CONT'D)**5.4 Shared Network Arrangement (Cont'd)****5.4.1 General (Cont'd)**

- D. Disconnection of the service by the host subscriber does not relieve another user of the shared network of any obligation to pay access charges associated with the portion of the shared network to which that user subscribes. Billing for services and facilities will continue until a disconnect request from the service user has been received by the Company. The host subscriber is solely responsible for notifying the connecting service user in the event of disconnection of the host's service which affects that portion of the shared network service to which the user has subscribed.
- E. SNAs can be utilized on any of the following rate elements which comprise a service arrangement, within a shared network:
- Switched Local Channels
 - Switched Access Channelization Elements
 - Switched Access Dedicated Interoffice Channels
- F. A one-time coordination charge will be assessed with the establishment of a Shared Network Arrangement. The host subscriber and the service user may, by mutual agreement, designate which party will be responsible for payment of the coordination charge. In the event no such agreement is reached, the charge will be applied to the host subscriber's account and the host subscriber will be responsible for payment of said charge.
- G. Shared Network Arrangement coordination charges for CCFLC SWA services are shown in 6.8.10 following. Additionally, a separate nonrecurring charge will apply to process each service order on a shared network account.

SECTION 6 - CCFLC SWA SERVICE

CONTENTS

- 6.1 General
 - 6.1.1 Reserved for Future Use
 - 6.1.2 Reserved for Future Use
 - 6.1.3 Rate Categories
 - 6.1.4 Reserved for Future Use
 - 6.1.5 Reserved for Future Use
- 6.2 Provision and Description of CCFLC SWA Service Arrangements
 - 6.2.1 CCFLC SWA 8XX Toll Free Dialing Ten Digit Screening Service
 - 6.2.2 CCFLC SWA 900 Service
 - 6.2.3 Reserved for Future Use
 - 6.2.4 Reserved for Future Use
 - 6.2.5 Reserved for Future Use
- 6.3 Local Switching Optional Features
 - 6.3.1 Common Switching (CCFLC SWA FG Customers)
 - 6.3.2 Reserved for Future Use
 - 6.3.3 Common Switching Optional Features For Use with WATS Access Lines
a.k.a. SPA WATS Lines (CCFLC SWA FG Customers)
 - 6.3.4 CCFLC SWA Transport Termination
- 6.4 Reserved for Future Use
- 6.5 Reserved for Future Use
- 6.6 Reserved for Future Use
- 6.7 Rate Regulations
 - 6.7.1 Description and Application of Rates and Charges
- 6.8 Rates and Charges
 - 6.8.1 CCFLC SWA Transport
 - 6.8.2 Local Switching
 - 6.8.3 WATS Access Line (a.k.a. SPA WATS Line) Service
 - 6.8.4 CCFLC SWA 8XX Toll Free Dialing Ten Digit Screening Service
 - 6.8.5 Service Rearrangements
 - 6.8.6 Transfer of Service
 - 6.8.7 Shared Network Arrangement
 - 6.8.8 CCFLC SWA 500 Service

SECTION 6 - CCFLC SWA SERVICE (CONT'D.)

6.1 General

With the exception of the rates, terms and conditions in this section, Consolidated Communications of Florida Company concurs with the rates, terms and conditions for the provision of intrastate terminating Carrier Access Service as specified in the National Exchange Carrier Association, Inc. (NECA) Tariff F.C.C. No. 5.

SECTION 6 - CCFLC SWA SERVICE (CONT'D.)**6.1 General (Cont'd.)**

6.1.1 Reserved for Future Use

6.1.2 Reserved for Future Use

6.1.3 Rate Categories

A. CCFLC SWA Transport

1. Optional Features

Where transmission facilities permit, the Company will, at the option of the IC, provide the following optional features in association with CCFLC SWA Transport. The optional features are provided as set forth in 6.8.1.D following.

a. Supervisory Signaling

Where the transmission parameters permit, and where signaling conversion is required by the IC to meet its signaling capability, the IC may order an optional supervisory signaling arrangement for each transmission path provided as follows:

- For Interface Groups 1 and 2

DX Supervisory Signaling,
E&M Type I Supervisory Signaling,
E&M Type II Supervisory Signaling, or
E&M Type III Supervisory Signaling

- For Interface Group 2

SF Supervisory Signaling
or Tandem Supervisory Signaling

- For Interface Groups 6 and 9

These Interface Groups may, at the option of the IC, be provided with individual transmission path SF supervisory signaling where such signaling is available in Company central offices. Generally such signaling is available only where the entry switch provides an analog (i.e., non-digital) interface to the CCFLC SWA Transport termination and a portion of the facility between the analog entry switch and the IC's terminal location is analog.

SECTION 6 - CCFLC SWA SERVICE (CONT'D.)**6.1 General (Cont'd.)****6.1.3 Rate Categories (Cont'd.)****A. CCFLC SWA Transport (Cont'd.)****1. Optional Features (Cont'd.)**

These optional supervisory signaling arrangements are not available in combination with the CCFLC SWA

CCSAC option, as specified in e. following.

b. IC Specified Entry Switch Receive Level

This feature allows the IC to specify the receive transmission level at the first point of switching. The range of transmission levels which may be specified is described in Technical Reference TR-NPL-000334. This feature is available with Interface Groups 2, 6 and/or 9 for CCFLC SWA FGA and CCFLC SWA FGB.

c. IC Specification of Switched Transport Termination

This option allows the IC to specify, for CCFLC SWA routed directly to an end office or access tandem, a four-wire termination of the CCFLC SWA Transport at the entry switch in lieu of a Company selected two-wire termination. This option is available only when the CCFLC SWA arrangement is provided with Type B Transmission Specifications.

d. Switched Digital 56 kbps Services

This option allows an IC to establish a connection between the IC's premises and a suitably equipped end user premises over facilities that are capable of transmitting 56 kbps digital data. This option requires the use of Interface Groups 6 and/or 9. It is provided to suitably equipped electronic end offices or access tandems and is available only with CCFLC SWA FGD.

SECTION 6 - CCFLC SWA SERVICE (CONT'D.)

6.1 General (Cont'd.)

6.1.3 Rate Categories (Cont'd.)

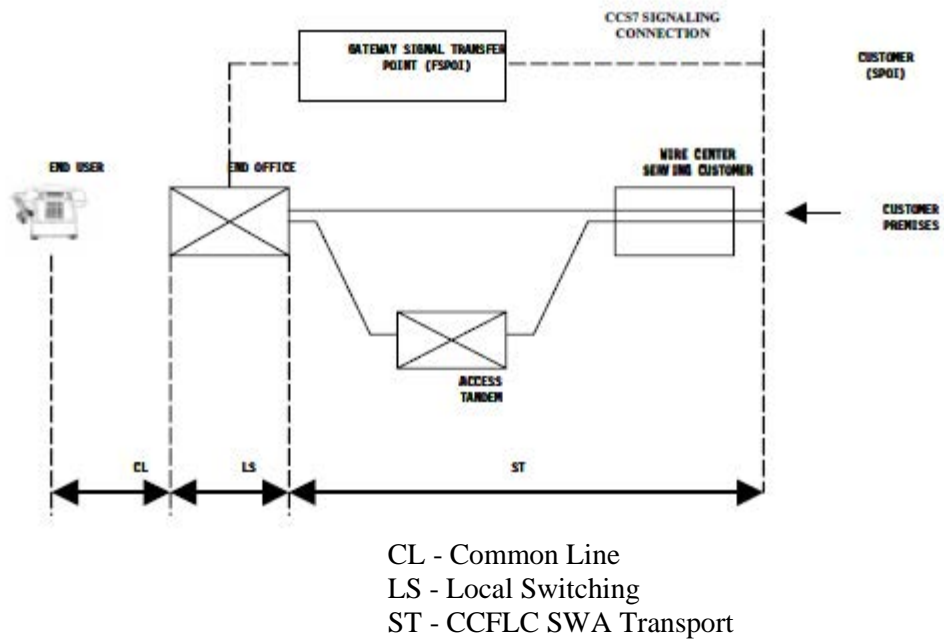
A. CCFLC SWA Transport (Cont'd.)

1. Optional Features (Cont'd.)

e. CCFLC SWA CCSAC

This option allows the customer to receive signals for call set-up out of band. This option is available with CCFLC SWA FGD.

This option requires the establishment of CCS7 Signaling Connections and CCS7 Signaling Terminations between the customer's signaling point of interface and the Company Signal Transfer Point (STP). A minimum of one pair or quad of CCS7 Signaling Connections and Terminations is required as further described in E. following.



SECTION 6 - CCFLC SWA SERVICE (CONT'D.)**6.1 General (Cont'd.)****6.1.3 Rate Categories (Cont'd.)****A. CCFLC SWA Transport (Cont'd.)****1. Optional Features****f. 64 Clear Channel Capability (CCC)**

- (1) Clear Channel Capability (CCC) is an arrangement that alters a DS1/1.544 Mbps signal with unconstrained information bits to meet pulse density requirements outlined in TR-NPL-000054 and TA-TSY-000342. This will allow an IC to transport an all-zero octet over a DS1/1.544 Mbps SPA High Capacity channel and will provide an available combined maximum 1.536 Mbps data rate. This arrangement requires the IC signal at the channel interface to conform to Bipolar with eight (8) Zero Substitution (B8ZS) line code as described in Technical Reference TR-NPL-000054 and TR-INS-000342.
- (2) This optional feature may be ordered at the same time the DS1/1.544 Mbps SPA High Capacity is ordered, or it may be ordered as an additional feature of an existing DS1/1.544 Mbps SPA High Capacity service.
- (3) When providing CCC via a DS3/44.736 Mbps SPA High Capacity channel, that DS3 channel must be designated, in Company records, as having Clear Channel Capability prior to the provisioning of a DS1/1.544 Mbps High Capacity channel with CCC. ICs must agree to out-of-service periods required to add this feature to: (1) an existing DS1/1.544 Mbps SPA High Capacity channel or (2) a DS3/44.736

Mbps SPA High Capacity channel which transports a DS1/1.544 Mbps SPA High Capacity channel to be optioned for B8ZS.

SECTION 6 - CCFLC SWA SERVICE (CONT'D.)**6.1 General (Cont'd.)****6.1.3 Rate Categories (Cont'd.)****A. CCFLC SWA Transport (Cont'd.)****1. Optional Features****g. TCAP Message Transmission**

This option provides for the transmission of information corresponding to TIA Interim Standard 41 (Subsystems 005-010) over an IC's CCS7 Signaling Connection. TCAP Messages will be routed according to originating and destination point codes provided by the IC.

This option requires the utilization of CCS7 Signaling Connections and CCS7 Signaling Terminations between the IC's signaling point of interface and each of the Company's Local Signal Transfer Points (STPs) within the LATA.

This option is available where facilities and switching capability are available.

h. Coin Sent-Paid Capability

Coin sent-paid capability allows the IC to receive signals for coin sent-paid traffic from line controlled pay stations. This option requires the use of Exchange Access Operator Services Signaling (EAOSS) and/or Modified Operator Services Signaling (MOSS). Coin sent-paid capability access is provided in designated Company end offices or via tandem access at the TOPS tandem switches and is available with GTC SWA FGD.

Technical specifications for MOSS are as set forth in the Bell Communications Research Technical Publication TR-TSY-000064. Technical specifications for EAOSS are as set forth in the Bell Communications Research Technical Publication TR-TSY-0000271.

SECTION 6 - CCFLC SWA SERVICE (CONT'D.)

6.1 General (Cont'd.)

6.1.3 Rate Categories (Cont'd.)

A. CCFLC SWA Transport (Cont'd.)

1. Optional Features (Cont'd.)

i. SPA High Capacity and CCFLC SWA DS0 Transport Services

SPA High Capacity services consist of CCFLC SWA DS1 and CCFLC SWA DS3 Local Channels and CCFLC SWA DS0, CCFLC SWA DS1 and CCFLC SWA DS3 Interoffice Channels. CCFLC SWA DS1 and CCFLC SWA DS3 Local Channels consists of a basic channel between the IC's premises and the IC's serving wire center.

For CCFLC SWA Dedicated Transport, the CCFLC SWA DS0 (Digital Voice Grade) and CCFLC SWA DS1 and CCFLC SWA DS3 Interoffice Channels are provided between the IC serving wire center to any of the following IC designated points: (1) the Company end office, (2) the Access Tandem, (3) Company Facility Hub (Hub), or between (4) a Hub and Company end office, or (5) a Hub and an Access Tandem and, (6) a Hub and a Hub.

Channel type and service descriptions are provided in Section 7 of this Tariff.

(1) CCFLC SWA DS0 Service

CCFLC SWA DS0 service (Digital Voice Grade) is a channel for duplex four-wire transmission at the rate of 56.0 and 64.0 Kbps. CCFLC SWA DS0 service is provided as a Switched Dedicated Interoffice Channel between the foregoing IC designated points.

 SECTION 6 - CCFLC SWA SERVICE (CONT'D.)

6.1 General (Cont'd.)

6.1.3 Rate Categories (Cont'd.)

A. CCFLC SWA Transport (Cont'd.)

1. Optional Features (Cont'd.)

i. SPA High Capacity and CCFLC SWA DS0 Transport Services (Cont'd.)

(2) CCFLC SWA DS1 Service

CCFLC SWA DS1 service is a high capacity channel service provided between the IC premises and the IC's serving wire center as a Switched Local Channel to be associated with Interface Group 6. CCFLC SWA DS1 service can also be provided as a Switched Dedicated Interoffice Channel between the foregoing IC designated points.

(3) CCFLC SWA DS3 Service

CCFLC SWA DS3 service is a high capacity channel service provided between the IC premises and the IC's serving wire center as a Switched Local Channel to be associated with Interface Group 9. CCFLC SWA DS3 service can also be provided as a Switched Dedicated Interoffice Channel between the foregoing IC designated points.

Single DS3 Switched Local Channels are available for IC premises to IC serving wire center application. Channelization Equipment is required for DS3 level services whenever an IC orders lower capacity Switched Interoffice Channels or terminates in Company serving wire centers, Company Facility Hubs, and office switch(es) or Access Tandems. Company Facility Hubs offer digital channelization in accordance with 6.7.16 following and E7.4.7 of this Tariff. For technical specifications, see Section 7 of this Tariff. Rates specific to SPA High Capacity and CCFLC SWA DS0 transport services are shown in 6.8.1 following.

 SECTION 6 - CCFLC SWA SERVICE (CONT'D.)

6.1 General (Cont'd.)

6.1.3 Rate Categories (Cont'd.)

A. CCFLC SWA Transport (Cont'd.)

1. Optional Features (Cont'd.)

i. SPA High Capacity and CCFLC SWA DS0 Transport Services (Cont'd.)

(4) Channelization Equipment

Channelization Equipment (CE) provides for the multiplexing equipment necessary to channelize digital facilities to individual services requiring a lower capacity or bandwidth. Channelization equipment is required when: (1) Any facility carrying a combination of trunk side and line side services terminating to an end office switch; (2) Any termination of a DS3 facility, and (3) Any facility carrying a combination of CCFLC SWA and SPA circuits terminates to an end office switch. Two levels of multiplexing are available: (1) DS3 to DS1; and (2) DS1 to DS0 or Analog. The NECA No. 4 identifies Company Offices (Facility Hubs) where multiplexing functions are available.

The CE rate category for DS1 level service consists of two rate elements: (1) Basic Channelization System; and (2) Central Office Channel Interface(s). The CE rate category for DS3 level service consists of two rate elements: (1) Switched DS3 Channelization System; and (2) the Central Office Channel Interface.

DS3 to DS1 - An arrangement that channelizes 44.736 Mbps channel to 28 DS1 channels.

 SECTION 6 - CCFLC SWA SERVICE (CONT'D.)

6.1 General (Cont'd.)

6.1.3 Rate Categories (Cont'd.)

A. CCFLC SWA Transport (Cont'd.)

1. Optional Features (Cont'd.)

i. SPA High Capacity and CCFLC SWA DS0 Transport Services (Cont'd.)

(4) Channelization Equipment (Cont'd.)

DS1 Basic Channelization System - An arrangement that channelizes a 1.544 Mbps channel to a maximum of twenty-four (24) 64 Kbps channels. A DS1 Basic Channelization System requires a Central Office Channel Interface for each channel of lesser capacity.

A DS1 that is directly terminated into a digital switch is restricted to trunk side switched traffic and cannot be used for line side connections or SPA Circuits.

A DS1 that is directly terminated into an analog switch is restricted to trunk side switched traffic and cannot be used for line side connections or Special Access Circuits.

The Central Office Channel Interface (COCI) rate element is necessary to activate the Sub DS1 Service capable of carrying Switched Access traffic. The COCI is required in addition to the Basic Channelization System.

Rates applicable to the Channelization Systems and the applicable Central Office Channel Interfaces are provided in 6.8.1 following.

Channelization for Common Transport Interoffice Channels

SECTION 6 - CCFLC SWA SERVICE (CONT'D.)**6.1 General (Cont'd.)****6.1.3 Rate Categories (Cont'd.)****A. CCFLC SWA Transport (Cont'd.)****1. Optional Features (Cont'd.)****i. SPA High Capacity and CCFLC SWA DS0 Transport Services (Cont'd.)****(4) Channelization Equipment (Cont'd.)****(1) DS3 to DS1 Multiplexer**

This rate element is for use of DS3 to DS1 multiplexer equipment within the Company common transport network and is required for ICs utilizing CCFLC SWA Common Transport. The rate element applies for each CCFLC SWA Common Transport minute of use between the access tandem and the end office, as well as for each minute of use between a host and remote end office, and each terminating minute of use between a host and remote end office, and each terminating minute of use between a CCFLC SWA FGA dial tone office and the end office. The rate for this element is found in 6.8.1 following.

(2) DS1 to VG Multiplexer

This rate element is for DS1 to VG multiplexer equipment within the Company common transport network on the end office side of analog access tandem switches. This element is required for ICs utilizing CCFLC SWA Common Transport with an analog tandem switch. The rate for this element is found in 6.8.1 following.

SECTION 6 - CCFLC SWA SERVICE (CONT'D.)**6.1 General (Cont'd.)****6.1.3 Rate Categories (Cont'd.)****A. CCFLC SWA Transport (Cont'd.)****1. Optional Features (Cont'd.)****j. Tandem Signaling**

This option provides for the automatic transmission of signaling indicators, which identify the interexchange carrier and trunk group to which the call is to be directed. This option, available with CCFLC SWA FGD, is provided on originating direct trunk groups.

Direct trunk groups equipped with tandem signaling can be arranged to overflow to other direct trunk groups equipped with tandem signaling. Direct trunk groups equipped with tandem signaling cannot be arranged to overflow to the Company's common trunk groups.

Depending on the signaling facilities available, this option will be provisioned via MF or CCS7 signaling. The CCS7 alternative requires the establishment of, 1) CCFLC SWA CCSAC as described in e. preceding and 2) CCS7 Signaling Connections and CCS7 Signaling Terminations, as further described in E. following.

1. Surveillance Optional Feature

CCFLC SWA DS1 and DS3 Transport services may terminate into SPA Customer Reconfiguration as set forth in 7 of this Tariff for surveillance only. These CCFLC SWA channel terminations are not available for reconfiguration. Rates and charges for the surveillance options are provided in 7.4.12 of this Tariff.

SECTION 6 - CCFLC SWA SERVICE (CONT'D.)**6.1 General (Cont'd.)****6.1.3 Rate Categories (Cont'd.)****D. CCFLC SWA WATS Service****1. Description**

- a. The CCFLC SWA WATS Service rate category provides a connection between an end user premises (which for purposes of this Tariff include Centrex CO switches) and a Company switching office capable of performing the necessary screening functions for CCFLC SWA 8XX Toll Free Dialing Ten Digit Screening Service, CCFLC SWA WATS Service or similar services.
- b. CCFLC SWA WATS Service is arranged for either originating calling only or terminating calling only. It is provided with rotary dial or dual tone Multifrequency address signaling and either loop start or ground start supervisory signaling (i.e., facility interfaces). The choice of the type of signaling is at the option of the IC.
- c. Service is provided as either effective two-wire or effective four-wire transmission paths. Each transmission path is provided with Standard Transmission Specifications and Data Transmission Parameters as set forth in 6.4 following.

2. Applications

- a. CCFLC SWA WATS Service is provided only for use with CCFLC SWA FGC or CCFLC SWA FGD service. It is for use at the closed end of an CCFLC SWA 8XX Toll Free Dialing Ten Digit Screening Service or a CCFLC SWA WATS Service or similar type service.

SECTION 6 - CCFLC SWA SERVICE (CONT'D.)**6.1 General (Cont'd.)****6.1.3 Rate Categories (Cont'd.)****D. CCFLC SWA WATS Service (Cont'd.)****3. Optional Features**

- a. At the option of the IC, the CCFLC SWA WATS Service may be ordered with the Improved Two-Wire Voice Transmission Specifications optional feature (guaranteed specifications are set forth in 6.4.3 following). Certain other features which may be provided in connection with CCFLC SWA WATS Service are available under the Company's local and/or general exchange service tariffs. Examples are:

- End User access to a Company test line
- Speed Calling

E. CCS7 Access Arrangement**1. Service Description**

CCS7 Access Arrangement allows for customer interconnection to the Company at designated Signal Transfer Points (STP) for use with services that require receiving and terminating signaling information using the common channel signaling protocol. CCS7 Access is provided for use with the CCFLC SWA CCSAC option, and described in A.9.e. preceding. For each connection, the customer must order a CCS7 Access Connection and CCS7 Access Termination. The CCS7 Access Arrangement is provided as follows.

- a. The CCS7 Signaling Connection provides a 2-way digital 56 kbps facility, dedicated to a single customer, which originates at the customer's signaling point of interconnection in a LATA and terminates at a Company Signal Transfer Point (STP) selected by the Company.

SECTION 6 - CCFLC SWA SERVICE (CONT'D.)**6.1 General (Cont'd.)****6.1.3 Rate Categories (Cont'd.)****E. CCS7 Access Arrangement (Cont'd)****1. Service Description (Cont'd)**

- b. The CCS7 Signaling termination provides a dedicated point of interface at a Company STP for customer's CCS7 Signaling Connection.

A customer will be able to obtain access from each of its Signaling Point Of Interconnection (SPOI) to the Company CCS7 network in one or more LATAs designated by the customer. This arrangement is available for use with Company Feature Group D switched access service and queries to Company databases pursuant to this tariff.

For ordering proposed, CCS7 Signaling Connections and Terminations are ordered from the customer's SPOI to one or more Facility Switching Point Of Interconnection (FSPOI) locations in the LATA. The customer must order a minimum of two CCS7 Signaling Connections and two CCS7 Signaling Terminations, if the customer's SPOI connects to a customer SSP and a minimum of four CCS7 Signaling Connections and four CCS7 Signaling Terminations, if the customer's SPOI connects to a customer STP. FSPOI locations are set forth in the NECA Tariff FCC No. 4.

SECTION 6 - CCFLC SWA SERVICE (CONT'D.)**6.1 General (Cont'd.)****6.1.3 Rate Categories (Cont'd.)****E. CCS7 Access Arrangement (Cont'd.)****2. CCS7 Access Arrangement Usage**

CCFLC SWA CCS7 Access Arrangement Usage provides for the use of the Company's CCS7 Access Arrangement network for the transmission of call set-up and non-call set-up traffic. The two types of usage available are as follows:

- a. Integrated Switched Digital Network User Part (ISUP) messages, which are used to provide the signaling set-up, supervise and release calls. ISUP usage charges will be assessed per signaling messages delivered to or from the customer, regardless of direction, through its dedicated CCS7 port connection. Specific types of ISUP messages are:

ACM - Address Complete Message

ANM - Answer Message

CPG - Call Progress

FOT - Forward Transfer Message

IAM - Initial Address Message

PAM - Pass Along Message

REL - Release

RES - Resume

RLC - Release Complete Message

SUS - Suspend

 SECTION 6 - CCFLC SWA SERVICE (CONT'D.)

6.1 General (Cont'd.)

6.1.3 Rate Categories (Cont'd.)

E. CCS7 Access Arrangement (Cont'd.)

2. CCS7 Access Arrangement Usage (Cont'd.)

- b. Transaction Capabilities Application Part (TCAP) signaling messages are used to provide information to route calls to the appropriate service provider not related to a voice call. TCAP usage charges will be assessed per signaling message delivered to the customer, regardless of direction, for such services as Toll Free Access Service, 500 Access Service, TCAP Message Transmission, Line Information Database (LIDB) service, Enhanced Originating Line Screening (EOLS) service and LNP Query. Specific types of TCAP Messages are:

ABT Abort

CON Conversion Without Permission Message CVVTP

Conversion With Permission Message

QUE Query Without Permission Message

QWP Query With Permission Message

RSP Response Message

UNI - Unidirectional

F. CCFLC SWA 500 Service

The CCFLC SWA 500 service rate category includes the use of switch based translations and the use of transmission facilities and functions between a Service Switching Point (SSP) equipped switch and a Service Control Point (SCP) by the Company to provide for CCFLC SWA 500 service. Rate elements and rates associated with this category are provided in 6.8.13 following.

G. 800 Database

The 800 Database rate category includes the use of transmission facilities and functions between a Service Switching Point (SSP) equipped end office or access tandem and a Service Control Point (SCP) by the Company to provide for CCFLC SWA 8XX Toll Free Dialing Ten Digit Screening Service. Rate elements and rates associated with this category are provided in 6.8.4 following.

SECTION 6 - CCFLC SWA SERVICE (CONT'D.)

6.1 General (Cont'd.)

6.1.4 Reserved for Future Use

6.1.5 Reserved for Future Use

SECTION 6 - CCFLC SWA SERVICE (CONT'D.)**6.2 Provision and Description of CCFLC SWA Service Arrangements****6.2.1 CCFLC SWA 8XX Toll Free Dialing Ten Digit Screening Service****A. Service Description**

1. Originating CCFLC SWA 8XX Toll Free Dialing Ten Digit Screening Service is a trunk side switched service that is available to the IC via CCFLC SWA 8AX Toll Free Dialing Ten Digit Screening Service trunk groups.

CCFLC SWA 8XX Toll Free Dialing Ten Digit Screening Service trunk groups, from the Company's SSP equipped end office or access tandem to the IC, will be provided in conjunction with CCFLC SWA FGD service.

2. CCFLC SWA 8XX Toll Free Dialing Ten Digit Screening Service provides for routing 800 originating calls based on the dialed ten digit 800 number except for 800 calls to Canada, Bermuda and the Bahamas. Routing for 800 calls to these areas will be based on the first six digits of the dialed 800 number. Terms, conditions and rates applicable to CCFLC SWA 8XY Toll Free Dialing Ten Digit Screening Service also apply to these calls.
3. When a 1+800+NXX-XXXX call is originated by an end user, the Company will use the dialed digits to determine the IC location to which the call is to be routed. If the call originates from an end office switch not equipped to provide the IC identification function, the call will be routed to an office at which the function is available. Once IC identification has been established, the call will be routed to the IC.

SECTION 6 - CCFLC SWA SERVICE (CONT'D.)**6.2 Provision and Description of CCFLC SWA Service Arrangements (Cont'd.)****6.2.1 CCFLC SWA 8XX Toll Free Dialing Ten Digit Screening Service (Cont'd.)****B. Provision of Service**

1. The manner in which CCFLC SWA 8XX Toll Free Dialing Ten Digit Screening Service is provided is dependent on the status of the end office from which the service is provided, as outlined following.
 - a. When an 800 call originates at an end office equipped with equal access and Service Switching Point (SSP) IC identification capabilities, CCFLC SWA 8XX Toll Free Dialing Ten Digit Screening Service will be provisioned in accordance with the technical characteristics available with CCFLC SWA FGD service.
 - b. When an 800 call originates at an end office equipped with equal access capabilities only (i.e., without SSP IC identification capabilities), the 800 call will be delivered to the access tandem on which the end office is homed and which is equipped with the SSP feature for IC identification. CCFLC SWA 8XX Toll Free Dialing Ten Digit Screening Service will be provisioned in accordance with the technical characteristics available with CCFLC SWA FGD service.
 - c. When an 800 call originates at an end office not equipped with equal access signaling and that end office's normal call recording function is performed at the access tandem on which the end office is homed and that access tandem is also equipped with the SSP feature for IC identification, the 800 call will be delivered to the access tandem for call routing and IC identification. CCFLC SWA 8XX Toll Free Dialing Ten Digit Screening Service will be provided in conjunction with CCFLC SWA FGD service from the SSP equipped access tandem to the IC.

SECTION 6 - CCFLC SWA SERVICE (CONT'D.)**6.2 Provision and Description of CCFLC SWA Service Arrangements (Cont'd.)****6.2.1 CCFLC SWA 8XX Toll Free Dialing Ten Digit Screening Service (Cont'd.)****B. Provision of Service (Cont'd.)**

1. The manner in which CCFLC SWA 8XX Toll Free Dialing Ten Digit Screening Service is provided is dependent on the status of the end office from which the service is provided, as outlined following (Cont'd.)
 - d. When an 800 call originates at an end office not equipped with equal access signaling and that end office's normal call recording function is performed at a location other than an access tandem equipped with the SSP feature for IC identification, the 800 call will be delivered to a SSP equipped access tandem. CCFLC SWA 8XX Toll Free Dialing Ten Digit Screening Service will be provided in conjunction with CCFLC SWA FGD service from the SSP equipped access tandem to the IC except when more than one access tandem is employed in the transport of an CCFLC SWA 8XX Toll Free Dialing Ten Digit Screening Service call for which standard transmission characteristics are not guaranteed.

Additionally, CCFLC SWA 8XX Toll Free Dialing Ten Digit Screening service usage measurement shall be in accordance with the regulations set forth in 6.7 following for CCFLC SWA FGC, CCFLC SWA FGD service. Specifically, for usage originating from end offices not equipped with equal access capabilities, access minutes shall be measured in the same manner in which CCFLC SWA access minutes are measured. For usage originating from end offices equipped with equal access capabilities, access minutes shall be measured in the same manner in which CCFLC SWA FGD access minutes are measured.

SECTION 6 - CCFLC SWA SERVICE (CONT'D.)**6.2 Provision and Description of CCFLC SWA Service Arrangements (Cont'd.)****6.2.1 CCFLC SWA 8XX Toll Free Dialing Ten Digit Screening Service (Cont'd.)****B. Provision of Service (Cont'd.)**

2. The IC has the option of having the dialed 800 number (i.e., 800+NXX+XXXX) or the ten digit POTS number (i.e., NPA+NXX+XXXX) delivered. If the IC desires to have the POTS number delivered, the customer must order 800 to POTS number delivery as set forth in 13.3.12 following.
3. CCFLC SWA 8XX Toll Free Dialing Ten Digit Screening Service will be provisioned in conjunction with CCFLC SWA FGD service with two exceptions (i.e., design blocking criteria and ANI information digits).
 - a. Design blocking criteria is dependent on the status of the end office from which the service is provided (i.e., equipped with equal access capabilities or not equipped with equal access capabilities). The design blocking criteria for CCFLC SWA 8XX Toll Free Dialing Ten Digit Screening service is set forth in 6.5.7.A.4.following.
 - b. Unless prohibited by technical limitations of the IC's terminating switch (e.g., different dialing plans or restrictions in the ability to identify various combinations of ANI information, i.e., 3 digit versus 10 digit ANI on certain calls), the customer's CCFLC SWA 8XX Toll Free Dialing Ten Digit Screening Service traffic may, at the option of the IC, be combined in the same trunk group arrangement with the IC's non-CCFLC SWA 8XX Toll Free Dialing Ten Digit Screening service traffic. When required by technical limitations, or at the request of the IC, a separate trunk group will be established for CCFLC SWA 8XX Toll Free Dialing Ten Digit Screening service. 0+ and 0- calling arrangements are not available with CCFLC SWA 8XX Toll Free Dialing Ten Digit Screening Service.

SECTION 6 - CCFLC SWA SERVICE (CONT'D.)**6.2 Provision and Description of CCFLC SWA Service Arrangements (Cont'd.)****6.2.1 CCFLC SWA 8XX Toll Free Dialing Ten Digit Screening Service (Cont'd.)****B. Provision of Service (Cont'd.)****3. (Cont'd.)**

- b.** CCFLC SWA 8XX Toll Free Dialing Ten Digit Screening service originating from equal access end offices and equal access tandems equipped with the SSP feature for IC identification will be provided using CCFLC SWA FGD signaling without overlap outpulsing. CCFLC SWA FGD signaling may be provided either with or without three-digit or ten-digit ANI. CCFLC SWA 8XX Toll Free Dialing Ten Digit Screening service originating from SSP equipped end offices not having equal access capabilities will be provided to the IC in a CCFLC SWA FGD signaling format without overlap outpulsing.

Additionally, ANI information digits which identify the call as an 800 call are also provided when the IC orders the ANI and POTS delivery optional features. The provision of these information digits is described in 6.3. I.A.4. and 6.3.3.A following.

- 4.** For CCFLC SWA 8XX Toll Free Dialing Ten Digit Screening service traffic originating from equal access end offices without the IC identification function, CCFLC SWA FGD service parameters as specified in 6.2.4 preceding apply.
- 5.** Premises interface codes as set forth in 6.1.3 preceding for CCFLC SWA FGD also apply to CCFLC SWA 8XY Toll Free Dialing Ten Digit Screening service.

SECTION 6 - CCFLC SWA SERVICE (CONT'D.)**6.2 Provision and Description of CCFLC SWA Service Arrangements (Cont'd.)****6.2.2 CCFLC SWA 900 Access Service**

Originating CCFLC SWA 900 service is a Trunk Side Switched Service that is available to the IC via CCFLC SWA 900 service Trunk Groups. CCFLC SWA 900 service Trunk Groups will be provided in conjunction with CCFLC SWA FGC or CCFLC SWA FGD Access or in accordance with the technical characteristics of CCFLC SWA FGC or CCFLC SWA FGD Access. CCFLC SWA 900 service is available with either 1+ or 1+ and 0+ dialing capability, with I+ the standard. 0+900 dialing is available for use with calling cards only (operator handled calls other than calling card calls are not permitted).

When a 1+ or 0+ 900+NXX+XXXX call is originated by an end user, the Company will perform the IC identification function to determine the IC location to which the call is to be routed. The IC identification function will be available at suitably equipped end offices or access tandem switches. If a call originates from an end office switch not equipped to provide the IC identification function, the call will be routed to an access tandem, where the IC identification will be performed and the call routed to the IC based on the NXX

The manner in which CCFLC SWA 900 service is provided depends on the status of the end office from which the service is provided (i.e., equipped with equal access capabilities or not equipped with equal access capabilities). When CCFLC SWA 900 service is provided from an end office equipped with equal access capabilities, all such service will be provisioned in accordance with the technical characteristics available with CCFLC SWA, except when more than one access tandem is employed in the transport of a CCFLC SWA 900 service call for which standard transmission characteristics are not guaranteed.

SECTION 6 - CCFLC SWA SERVICE (CONT'D.)**6.2 Provision and Description of CCFLC SWA Service Arrangements (Cont'd.)****6.2.2 CCFLC SWA 900 Access Service (Cont'd.)**

When CCFLC SWA 900 service is provided from an end office not equipped with equal access capabilities, all such service will be provisioned in accordance with the technical characteristics available with CCFLC SWA FGC or CCFLC SWA FGD except when more than one access tandem is employed in the transport of a CCFLC SWA 900 service call for which standard transmission characteristics are not guaranteed. When CCFLC SWA 900 service is provided from an end office not equipped with equal access capabilities, all such service will be provisioned in accordance with the technical characteristics available with CCFLC SWA FGC or CCFLC SWA FGD except when more than one tandem is employed in the transport of a CCFLC SWA 900 service call for which standard transmission characteristics are not guaranteed.

Additionally, CCFLC SWA 900 service usage measurement shall be in accordance with the regulations set forth in 6.7.8 following for CCFLC SWA FGC or CCFLC SWA FGD.

Specifically, for usage originating from end offices not equipped with equal access capabilities, access minutes shall be measured in the same manner in which CCFLC SWA FGC access minutes are measured. For usage originating from end offices equipped with equal access capabilities, access minutes shall be measured in the same manner in which CCFLC SWA FGD access minutes are measured.

Unless prohibited by technical limitations of the IC's terminating switch (e.g., different dialing plans), the IC's CCFLC SWA 900 service traffic may, at the option of the IC, be combined in the same trunk group arrangement with the IC's non- CCFLC SWA 900 service traffic. When required by technical limitations, or at the request of the IC, a separate trunk group will be established for CCFLC SWA 900 service. CCFLC SWA 900 service calls originated as 0- 101XEVX, Coin Sent Paid Capability, or originated from Inmate Service, and toll restricted stations will be blocked.

CCFLC SWA 900 service originating from equal access end offices with the IC identification function will be provided using CCFLC SWA FGD signaling with overlap outpulsing. CCFLC SWA FGD signaling may be provided with or without 1 0-digit ANI, but not in the same trunk group. CCFLC SWA 900 service originating from equal access capability, will be provided using traditional signaling.

SECTION 6 - CCFLC SWA SERVICE (CONT'D.)**6.2 Provision and Description of CCFLC SWA Service Arrangements (Cont'd.)****6.2.2 CCFLC SWA 900 Access Service (Cont'd.)**

For CCFLC SWA 900 service traffic originating from an equal access end office with the IC identification function, CCFLC SWA FGD parameters as specified in 6.2.4 and 6.2.9 apply. For CCFLC SWA 900 service traffic originating from all other end offices, CCFLC SWA FGC parameters, as specified in 6.2.3 preceding and 6.2.9 following apply.

Premises Interface Codes as set forth in 6.1.3 for CCFLC SWA FGD also apply to CCFLC SWA 900 service.

The Company retains the right to administer its network in such a manner that the impact of traffic surges due to the peaked nature of CCFLC SWA 900 service traffic on other access service traffic is minimized. 6.3.2.A.12 notwithstanding, the Company may, when it deems necessary, implement network management controls to insure acceptable service levels.

In order to ensure deployment of adequate protective network controls, the Company requires that the IC provide notification to the Company's Network Management Center at least two business days before any CCFLC SWA 900 service event for which a substantial call volume is expected during a short period of time (e.g., media stimulated event). Notification should include the nature, time, duration and frequency of the event, an estimated call volume, and the 900 line number to be used.

The IC is responsible for using CCFLC SWA 900 service in accordance with this Tariff. CCFLC SWA 900 service shall not be used for any communication which is prohibited by law, nor in any manner which is unlawful. It is not intended that CCFLC SWA 900 service be used for any communication which implicitly or explicitly invites, describes, stimulates, arouses, or otherwise refers to sexual conduct, or which contains sexual innuendoes which arouse or attempt to arouse sexual desire. Nor is it intended that CCFLC SWA 900 service be used or administered in conjunction with misleading, exploitative or similarly abusive business practices. The IC shall cooperate with the Company to resolve complaints which may result from such uses of CCFLC SWA 900 service.

SECTION 6 - CCFLC SWA SERVICE (CONT'D.)

6.2 Provision and Description of CCFLC SWA Service Arrangements (Cont'd.)

6.2.3 Reserved for Future Use

6.2.4 Reserved for Future Use

6.2.5 Reserved for Future Use

SECTION 6 - CCFLC SWA SERVICE (CONT'D.)**6.3 Local Switching Optional Features****6.3.1 Common Switching (CCFLC SWA FG Customers)**

A. These optional features are available to CCFLC SWA FG customers (as specified in the descriptions) at no additional charge.

1. **Call Denial on Line or Hunt Group**

This option allows for the screening of terminating calls within the LATA and for completion only of calls to 411, 611, 911, 800, 555-1212, and a Company specified set of NXXs within the Company local exchange calling area of the dial tone office in which the arrangement is provided. All other "toll" calls are routed to a reorder tone or recorded announcement. This feature, available with CCFLC SWA FGA, is provided from suitably equipped company offices.

2. **Service Code Denial on Line or Hunt Group**

This option allows for the screening of terminating calls within the LATA and for disallowing completion of calls to 0-, 555 and N11 (e.g., 411, 611 and 911). This feature, available with CCFLC SWA FGA, is provided from suitably equipped company offices.

3. **Enhanced Call Denial on Line or Hunt Group**

This option allows for the screening of terminating CCFLC SWA FGA calls for the completion of calls within the LATA of the dial tone office in which the arrangement is provided. Calls will be completed to 411, 611, 911, 800, 555-1212, and NXX's within the LATA of the dial tone office in which the arrangement is provided. Calls will not be completed to 950-0XXX, 950-IXYX, 101XM interLATA operator assistance (0+, 00-), operator assistance (0-), 1+interLATA, 0/1+700 and 900. This feature is provided in all Company electronic end offices and, where available, in electromechanical end offices and is only available with CCFLC SWA FGA.

SECTION 6 - CCFLC SWA SERVICE (CONT'D.)**6.3 Local Switching Optional Features****6.3.1 Common Switching (CCFLC SWA FG Customers) (Cont'd.)**

A. These optional features are available to CCFLC SWA FG and CCFLC SWA (Cont'd.)

4. Up to 7 Digit Outpulsing of Access Digits to IC

This option provides for the end office capability of providing up to 7 digits of the uniform access code (950-OXXX or 950-IXXX) to the IC terminal location. The IC can request that only some of the digits in the access code be forwarded. The access code digits would be provided to the IC terminal location using multifrequency signaling, and transmission of the digits would precede the forwarding of ANI if that feature were provided. It is available with CCFLC SWA FGB.

5. Alternate Traffic Routing

a. Multiple IC Premises Alternate Routing

This option provides the capability of directing originating traffic from an end office or access tandem to a trunk group (the "high usage" group) to an IC designated terminal location until that group is fully loaded, and then delivering additional originating traffic (the "overflowing" traffic) from the same end office or access tandem to a different trunk group (the "final" group) to a second IC designated terminal location. The IC shall specify the last trunk CCS desired for the high usage group.

It is provided in suitably equipped end office or access tandem switches and is available with CCFLC SWA FGB, CCFLC SWA FGC and CCFLC SWA FGD. Due to technical limitations, this option is not available with the routing of sent-paid coin traffic from line controlled pay stations.

SECTION 6 - CCFLC SWA SERVICE (CONT'D.)**6.3 Local Switching Optional Features****6.3.1 Common Switching (CCFLC SWA Customers) (Cont'd.)**

A. These optional features are available to CCFLC SWA FG and CCFLC SWA (Cont'd.)

5. Alternate Traffic Routing (Cont'd)**b. End Office Alternate Routing**

This option provides an alternate routing arrangement for ICs to have access for a particular CCFLC SWA FG to an end office via two routes: one route via an access tandem and one direct route. The feature allows the ICs' originating traffic from the end office to be offered first to the direct trunk group and then overflow either to an access tandem group, or where facilities permit to another direct trunk group equipped with tandem signaling. It is provided in suitably equipped end offices and is available with CCFLC SWA FGB, CCFLC SWA FGC and CCFLC SWA FGD. This option is available for use in providing CCFLC SWA 500 Service, CCFLC SWA 8XX Toll Free Dialing Ten Digit Screening service and CCFLC SWA 900 service only when the end office is equipped to perform the CCFLC SWA 500, CCFLC SWA 8XX Toll Free Dialing Ten Digit Screening, or CCFLC SWA 900 service IC identification function. Due to technical limitations, this option is not available with the routing of sent-paid coin from line controlled pay stations

6. Service Class Routing

This option provides the capability of directing originating traffic from an end office to a trunk group to an IC-designated terminal location, based on the line class of service (e.g., pay telephone or hotel/motel) service prefix indicator (e.g., 0-, 0+, 01+ or 011+) or service access code (e.g., 500, 800 or 900). It is provided in suitably equipped end office or access/TOPS tandem switches and is available with CCFLC SWA FGC and CCFLC SWA FGD.

SECTION 6 - CCFLC SWA SERVICE (CONT'D.)**6.3 Local Switching Optional Features****6.3.1 Common Switching (CCFLC SWA FG Customers) (Cont'd.)**

- A. These optional features are available to CCFLC SWA FG and CCFLC SWA (Cont'd.)

7. Dial Pulse Address Signaling

This trunk side option provides for the transmission of number information, e.g., called number, between the end office switching system and the IC's terminal location (in either direction) by means of direct current pulses. It is available with CCFLC SWA FGC.

8. Revertive Pulse Address Signaling

This option provides for a dc pulsing arrangement that transmits intelligence in the following manner:

The equipment at the originating location presets itself to represent the number of pulses required and to count the pulses received from the terminating location.

The equipment at the terminating location transmits a series of pulses by the momentary grounding of its battery supply until the originating location breaks the dc path to indicate that the required number of pulses has been counted.

This option is available with CCFLC SWA FGC.

9. Delay Dial Start-Pulsing Signaling

This option provides a method of indicating to the near end trunk circuit readiness to accept address signaling information by the far end trunk circuit. Delay-dial is often referred to as an off-hook, on-hook signaling sequence.

The delay-dial signal is the off-hook interval and the start-pulsing signal is the on-hook interval. With integrity check, the calling office will not outpulse until a delay-dial (off-hook) signal followed by a start-pulsing (on-hook) signal has been identified at the calling office. This option is available with CCFLC SWA FGC.

SECTION 6 - CCFLC SWA SERVICE (CONT'D.)**6.3 Local Switching Optional Features****6.3.1 Common Switching (CCFLC SWA FG Customers) (Cont'd.)**

- A. These optional features are available to CCFLC SWA FG and CCFLC SWA (Cont'd.)

10. Immediate Dial Pulse Address Signaling

This option provides for the forwarding of dial pulses from the Company end office to the IC without the need of a start-pulsing signal from the IC. It is available with CCFLC SWA FGC.

11. Trunk Access Limitation

This option provides for the routing of originating CCFLC SWA 900 service calls to a specified number of transmission paths in a trunk group, in order to limit (choke) the completion of such traffic to the IC. Calls to the designated service which could not be completed over the subset of transmission paths in the trunk group, i.e., the choked calls, would be routed to reorder tone.

It is provided in all Company electronic end offices and where available in electromechanical end offices. It is available with CCFLC SWA FGC and CCFLC SWA FCD.

12. Call Gapping Arrangement

This option, provided in suitably equipped end office switches, provides for the routing of originating calls to CCFLC SWA 900 service to be switched in the end office to all transmission paths in a trunk group at a prescribed rate of flow, e.g., one call every five seconds, in order to limit (choke) the completion of such traffic to the IC. Calls to the designated service which are denied access by this feature, i.e., the choked calls, would be routed to a no circuit announcement. It is provided in selected CCFLC SWA FGD equipped end offices and is available only with CCFLC SWA.

SECTION 6 - CCFLC SWA SERVICE (CONT'D.)**6.3 Local Switching Optional Features****6.3.1 Common Switching (CCFLC SWA FG Customers) (Cont'd.)**

- A. These optional features are available to CCFLC SWA FG and CCFLC SWA (Cont'd.)

13. Cut-Through

This option allows End Users of the IC to reach the IC's terminal location by using the end of dialing digit (#). This option provides for connection of the call to the premises of the IC indicated by the 10 1 XXXX code upon receipt of the end of dialing digit (#). The Company will not record any other dialed digits for these calls. This option is available with CCFLC SWA FGD.

14. Switched digital 56 kbps services switching capability

This option provides for an end office or access tandem capability which allows a connection between the IC's premises and a suitably equipped end user premises utilizing end office or access tandem switching that is capable of transmitting 56 kbps digital data. It is provided in suitably equipped electronic end offices or access tandems and is available only with CCFLC SWA FGD.

15. Calling Party Number (CPN)

This option provides for the automatic transmission of the calling party's ten-digit telephone number to the IC's premises for calls originating in the LATA. The ten-digit telephone number consists of the NPA plus the seven-digit telephone number, which may or may not be the same number as the calling station's charge number. The specific protocol for CPN is contained in the Guidelines to Technical Publication TR-TSV-000905. This feature is available only with CCFLC SWA FGD when the CCFLC SWA CCSAC option is specified. The IC should transmit all parameters of the protocol (unaltered) including the privacy indicator when forwarded to the terminating end.

SECTION 6 - CCFLC SWA SERVICE (CONT'D.)**6.3 Local Switching Optional Features****6.3.1 Common Switching (CCFLC SWA FG Customers) (Cont'd.)**

- A. These optional features are available to CCFLC SWA FG and CCFLC SWA (Cont'd.)

16. Carrier Selection Parameter (CSP)

This option provides for the automatic transmission of a signaling indicator which signifies to the IC whether the call being processed originated from a presubscribed end user of that IC. The specific protocol for CSP is contained in the CCFLC Guidelines to Technical Publication TR-TSV-000905. This feature is available only with CCFLC SWA FGD when CCFLC SWA CCSAC is specified.

17. Access Transport Parameter (ATP)

This option provides for the transmission of information from the originating calling location through the CCFLC SWA CCSAC network. Information supplied using ATP may consist of one or more of the following: Called Party Sub-Address; Calling Party Sub-Address; High and Low Layer Compatibility and Compatibility checking by the called party's equipment. The specific protocol for ATP is contained in Technical Publication TR-TSV-000962. This feature is available only with CCFLC SWA FGD when 64 CCC is specified from suitably equipped offices.

18. Call Screening

This option allows for the CCFLC SWA FGA service to utilize the 07 ANI ii Digit and to allow completion of 0+, 0-,

NI I (e.g., 411, 611, and 911) calls within the Local Calling Area, and 555-1212 calls. Additionally, calls will not be completed to I +, 10 1 XXXX, 500, 700 and 900. This feature, available with CCFLC SWA FGA, is provided from suitably equipped Company offices.

19. 950-XXXX Dialing Over CCFLC SWA FGD

This option provides the origination of traffic over CCFLC SWA FGD service utilizing the uniform 950-XXXX access code. The service is available, where technically feasible. This option is only available at the trunk group level.

SECTION 6 - CCFLC SWA SERVICE (CONT'D.)**6.3 Local Switching Optional Features (Cont'd.)****6.3.2 Reserved for Future Use****6.3.3 Common Switching Optional Features For Use With WATS Access Lines (a.k.a. SPA WATS Lines) (CCFLC SWA Customers)**

A. These optional features are available to CCFLC SWA FG customers (as specified in the descriptions) at no additional charge.

1. **Band Advance Arrangement for Use With WATS Access Line (a.k.a. SPA WATS Line) service**

This option, which is provided in association with two or more WATS Access Line Service (a.k.a. SPA WATS Lines) groups, provides for the automatic overflow of terminating calls to a WATS Access Line Service (a.k.a. SPA WATS Line) group, when that group has exceeded its call capacity, to another WATS Access Line Service (a.k.a. SPA WATS Line) group with a band designation equal to or greater than that of the overflowing WATS Access Line Service (a.k.a. SPA WATS Line) group. This arrangement does not provide for call overflow from a group with a higher band designation to one with a lower one. This option is available with CCFLC SWA FGC and CCFLC SWA.

2. **End Office End User Line Service Screening for use with WATS Access Line (a.k.a. SPA WATS Line) Service**

This arrangement provides the ability to verify that an end user has dialed a called party address (by screening the called NPA and/or NXX on the basis of geographical bands selected by the Company) which is in accordance with that end user's agreement with the IC, e.g., CCFLC SWA WATS. This arrangement is provided in all Company equal access electronic end offices where technically capable. This arrangement is also provided, where available, to providers of CCFLC SWA WATS in electromechanical and non-equal access electronic end offices in which WATS Access Lines (a.k.a. SPA WATS Line) are provided. All blocked calls will be routed to announcement recording. It is available with CCFLC SWA FGC and CCFLC SWA FGD.

The Company will prohibit 101XXXX dialing with the standard arrangement when requested by the IC.

SECTION 6 - CCFLC SWA SERVICE (CONT'D.)**6.3 Local Switching Optional Features (Cont'd.)****6.3.3 Common Switching Optional Features for Use with WATS Access Lines (a.k.a. SPA WATS Lines) (CCFLC SWA FG Customers)**

A. These optional features are available to CCFLC SWA FG customers (as specified in the descriptions) at no additional charge.

3. **Hunt Group Arrangement for Use with WATS Access Line (a.k.a. SPA WATS Line) Service**

This option provides the ability to sequentially access one of two or more WATS Access Lines (a.k.a. SPA WATS Line) (e.g., CCFLC SWA 8XX Toll Free Dialing Ten Digit Screening service access lines) in the terminating direction, when the hunting number of the WATS Access Line (a.k.a. SPA WATS Line) Service group is forwarded from the IC to the Company. It is available with CCFLC SWA FGC and CCFLC SWA FGD. This feature is provided in all Company end offices in which WATS Access Lines (a.k.a. SPA WATS Line) are provided.

4. **Uniform Call Distribution Arrangement for use with WATS Access Line (a.k.a. SPA WATS Line) service**

This option provides a type of multiline hunting arrangement which provides for an even distribution of terminating calls among the available WATS Access Lines (a.k.a. SPA WATS Lines) in the hunt group. Where available, this feature is only provided in Company electronic end offices in which WATS Access Lines (a.k.a. SPA WATS Lines) are provided. It is available with CCFLC SWA FGC and CCFLC SWA FGD.

SECTION 6 - CCFLC SWA SERVICE (CONT'D.)

6.3 Local Switching Optional Features (Cont'd.)

6.3.3 Common Switching Optional Features for Use with WATS Access Lines (a.k.a. SPA WATS Lines) (CCFLC SWA FG Customers)

A. These optional features are available to CCFLC SWA FG customers (as specified in the descriptions) at no additional charge.

5. Nonhunting Number for Use with Hunt Group Arrangement or Uniform Call Distribution Arrangement for Use with WATS Access Lines (a.k.a. SPA WATS Lines)

This option provides an arrangement for an individual WATS Access Line (a.k.a. SPA WATS Line) within a multiline hunt or uniform call distribution group that provides access to that WATS Access Line (a.k.a. SPA WATS Line) within the hunt or uniform call distribution group when it is idle or provides busy tone when it is busy, when the nonhunting number is dialed. Where available, this feature is only provided in Company electronic end offices in which WATS Access Lines (a.k.a. SPA WATS Lines) are provided. This option is available with CCFLC SWA FGC and CCFLC SWA FGD.

SECTION 6 - CCFLC SWA SERVICE (CONT'D.)**6.3 Local Switching Optional Features (Cont'd.)****6.3.4 CCFLC SWA Transport Termination****A. Rotary Dial Station Signaling**

This option provides for the transmission of called party address signaling from rotary dial stations to the IC terminal location for originating calls. This option is provided in the form of a specific type of CCFLC SWA Transport Termination. It is available with CCFLC SWA only on a directly trunked basis.

B. Operator Trunk - Coin, Non-Coin or Combined Coin and Non-Coin

This option may be ordered to provide coin, non-coin, or combined coin and non-coin operation. It is available only with CCFLC SWA FCC and CCFLC SWA FGD and provided in electronic end offices and other Company end offices where equipment is available. It is provided as a trunk type of CCFLC SWA Transport Termination.

Coin

This arrangement provides for initial coin return control and routing of 0+, 0-, 1+ or 01+ prefixed originating coin calls requiring operator assistance to the IC's terminal location. Because operator assisted coin calling traffic is routed over a trunk group dedicated to operator assisted calls, this arrangement is only provided in association with the Service Class Routing option.

The operator assistance coin calling arrangement is also normally ordered by the IC in conjunction with the ANI optional feature, since the preponderance of trunk groups equipped with this arrangement will be terminated in the IC's operator services systems, rather than in the IC's manual cord boards.

SECTION 6 - CCFLC SWA SERVICE (CONT'D.)**6.3 Local Switching Optional Features (Cont'd.)****6.3.4 CCFLC SWA Transport Termination (Cont'd.)****B. Operator Trunk - Coin, Non-Coin or Combined Coin and Non-Coin (Cont'd.)****Non-Coin**

This arrangement provides for the routing of 0+, 0-, 1+ or 01+ prefixed originating non-coin calls requiring operator assistance to the IC's terminal location. Because operator assisted non-coin calling traffic is routed over a trunk group dedicated to operator assisted calls, this arrangement is only provided in association with the Service Class Routing option. The operator assistance non-coin calling arrangement is also normally ordered by the IC in conjunction with the ANI optional feature, since the preponderance of trunk groups equipped with this arrangement will be terminated in the IC's operator services systems, rather than in the IC's manual cord boards. When so equipped, the ANI optional feature provides for the forwarding of information digits which identify that the call has originated from a hotel or motel, and whether room number identification is required, or that special screening is required, e.g., for coinless public stations, dormitory, inmate stations or other screening arrangements agreed to between the IC and the Company.

Combined Coin and Non-Coin

This arrangement provides for initial coin return control and routing of 0+, 0-, 1+ or 01+ prefixed originating operator assisted coin and non-coin calls requiring operator assistance to the IC's terminal location. Because operator assisted coin and non-coin calling traffic is routed over a trunk group dedicated to operator assisted calls, this arrangement is only provided in association with the Service Class Routing option.

This arrangement is normally ordered by the IC in conjunction with the ANI optional feature, since the preponderance of trunk groups equipped with this arrangement will be terminated in the IC's operator services systems, rather than in the IC's manual cord boards. When so equipped, the ANI optional feature provides for the forwarding of information digits which identify that the call has originated from a hotel or motel, and whether room number identification is required, or that special screening is required, e.g., for coinless public stations, dormitory, or inmate stations, or other screening arrangements agreed to between the IC and the Company.

SECTION 6 - CCFLC SWA SERVICE (CONT'D.)

6.3 Local Switching Optional Features (Cont'd.)

6.3.4 CCFLC SWA Transport Termination (Cont'd.)

C. Operator Trunk - Full Feature

This option provides the operator functions available in the end office to the IC's operator. These functions are (1) Operator Released, (2) Operator Attached, (3) Coin Collect, (4) Coin Return, and (5) Ringback. It is available with CCFLC SWA FGD and is provided as a trunk type of CCFLC SWA Transport Termination.

This option is not available with the CCFLC SWA CCSAC option. This arrangement is only provided in association with the service Class Routing option.

6.4 Reserved for Future Use

6.5 Reserved for Future Use

6.6 Reserved for Future Use

6.7 Reserved for Future Use

SECTION 6 - CCFLC SWA SERVICE (CONT'D.)**6.7 Rate Regulations****6.7.1 Description and Application of Rates and Charges**

1. Reserved for future use
2. Reserved for future use
3. Nonrecurring Charges

CCFLC SWA 900 Service

A nonrecurring charge as specified in 6.8.2 following applies to the activation of 900 NXX codes to be routed to an IC in the operating territory of the Company. There are two nonrecurring charges. The first 900 NXX code nonrecurring charge applies for the first 900 NXX code submitted on an Access Service Request (ASR) and is assessed per each Company End Office and Access Tandem in which translations are required to route 900 NXX calls to the IC. The additional 900 NXX code nonrecurring charge applies for each additional 900 NXX code submitted on the same ASR and is assessed per each Company End Office and Access Tandem in which translations are required to route 900 NXX calls to the IC. In addition, rearrangement charges, as specified in 6.8.8 following, are applicable for rearrangements of existing 900 NXXs to add or delete 0+ dialing capability.

SECTION 6 - CCFLC SWA SERVICE (CONT'D.)

6.8 Rates and Charges

6.8.1 CCFLC SWA Transport

A. Switched Local Channel - per Local Channel

		Monthly Rate			Nonrecurring Charge	
		<u>Rate</u> <u>Zone 1</u>	<u>Rate</u> <u>Zone 2</u>	<u>Rate</u> <u>Zone 3</u>	<u>First</u>	<u>Additional</u>
1. CCFLC SWA VG						
(a)	Two-Wire	*	*	*	*	*
(b)	Four-Wire	*	*	*	*	*
2. CCFLC SWA DS1 Service						
(a)	1.544 Mbps	*	*	*	*	*
3. CCFLC SWA DS3 Service						
(a)	44.736Mbps	*	*	*	*	*
4. End-Office Base Private Network						
		Monthly Rate			Nonrecurring Charge	
		<u>Rate</u> <u>Zone 1</u>	<u>Rate</u> <u>Zone 2</u>	<u>Rate</u> <u>Zone 3</u>	<u>First</u>	<u>Additional</u>
(a)	Per Local Channel	*	*	*	*	*

*The rates, charges and conditions for the provision of intrastate terminating Carrier Access Service are as specified in the NECA Tariff FCC No. 5 as it now exists, and as it may be revised, added to, or supplemented.

SECTION 6 - CCFLC SWA SERVICE (CONT'D.)

6.8 Rates and Charges (Cont'd.)

6.8.1 CCFLC SWA Transport (Cont'd.)

B. Switched Interoffice Channel - CCFLC SWA Dedicated Transport

		Monthly Rate			Nonrecurring Charge
		Rate <u>Zone 1</u>	Rate <u>Zone 2</u>	Rate <u>Zone 3</u>	
1. CCFLC SWA VG					
(a)	Per mile	*	*	*	*
(b)	Facility Termination	*	*	*	*
2. CCFLC SWA DS0 - 56/64 Kbps					
(a)	Per mile	*	*	*	*
(b)	Facility Termination	*	*	*	*
3. CCFLC SWA DS1 - 1.544 Mbps					
(a)	Per mile	*	*	*	*
(b)	Facility Termination	*	*	*	*
4. CCFLC SWA DS3 - 44.736 Mbps					
(a)	Per mile	*	*	*	*
(b)	Facility Termination	*	*	*	*

*The rates, charges and conditions for the provision of intrastate terminating Carrier Access Service are as specified in the NECA Tariff FCC No. 5 as it now exists, and as it may be revised, added to, or supplemented.

SECTION 6 - CCFLC SWA SERVICE (CONT'D.)

6.8 Rates and Charges (Cont'd.)

6.8.1 CCFLC SWA Transport (Cont'd.)

C. Switched Interoffice Channel - CCFLC SWA Common Transport

1.	Per Mile	Terminating Rate Per Access <u>Minute</u>
	(a) Zone 1	*
	(b) Zone 2	*
	(c) Zone 3	*
		Originating Rate Per Access <u>Minute</u>
	(a) Zone 1	\$.00004
	(b) Zone 2	\$.00004
	(c) Zone 3	\$.00004

2.	Facilities Termination	<u>Terminating Rate</u>
	(a) Zone 1	*
	(b) Zone 2	*
	(c) Zone 3	*
		<u>Originating Rate</u>
	(a) Zone 1	\$.00036
	(b) Zone 2	\$.00036
	(c) Zone 3	\$.00036

*The rates, charges and conditions for the provision of intrastate terminating Carrier Access Service are as specified in the NECA Tariff FCC No. 5 as it now exists, and as it may be revised, added to, or supplemented.

SECTION 6 - CCFLC SWA SERVICE (CONT'D.)

6.8 Rates and Charges (Cont'd.)

6.8.1 CCFLC SWA Transport (Cont'd.)

C. Switched Interoffice Channel - CCFLC SWA Common Transport (Cont'd)

3. CCFLC SWA Common Transport

- (a) DS3 to DS1 Multiplexer
Per Access Minute of Use

<u>Terminating Rate</u>	
<u>Per Access Minute</u>	*
<u>Originating Rate</u>	
<u>Per Access Minute</u>	\$.000387

D. Access Tandem Switching

1. Premium

		Rate Per Access <u>Minute</u>
(a)	Terminating Per Access Minute	*
(b)	Originating Per Access Minute	\$.000500

*The rates, charges and conditions for the provision of intrastate terminating Carrier Access Service are as specified in the NECA Tariff FCC No. 5 as it now exists, and as it may be revised, added to, or supplemented.

SECTION 6 - CCFLC SWA SERVICE (CONT'D.)

6.8 Rates and Charges (Cont'd.)

6.8.1 CCFLC SWA Transport (Cont'd.)

D. Access Tandem Switching (Cont'd)

2. Dedicated Tandem Trunk Port Service

	<u>Monthly Rate</u>
(a) Per dedicated DS0/VG trunk port required	*
(b) Per dedicated DS1 trunk port required	*

E. Reserved for Future Use

*The rates, charges and conditions for the provision of intrastate terminating Carrier Access Service are as specified in the NECA Tariff FCC No. 5 as it now exists, and as it may be revised, added to, or supplemented.

SECTION 6 - CCFLC SWA SERVICE (CONT'D.)

6.8 Rates and Charges (Cont'd.)

6.8.1 CCFLC SWA Transport (Cont'd.)

F. Installation of New Service

1. Line Side Service

	Nonrecurring Charge		Monthly
	<u>First</u>	<u>Additional</u>	<u>Rate</u>
(a) Per Line	*	*	*

2. Trunk Side Service

(a) Per Trunk	*	*	*
---------------	---	---	---

G. Network Blocking Charge¹

1. Nonrecurring Charge

(a) Per Call Blocked	<u>Rate</u>
	*

Note 1: Applies to CCFLC SWA FGD

*The rates, charges and conditions for the provision of intrastate terminating Carrier Access Service are as specified in the NECA Tariff FCC No. 5 as it now exists, and as it may be revised, added to, or supplemented.

SECTION 6 - CCFLC SWA SERVICE (CONT'D.)

6.8 Rates and Charges (Cont'd.)

6.8.1 CCFLC SWA Transport (Cont'd.)

H. Optional Features

1. Supervisory Signaling

- a. DX Supervisory Signaling arrangement
- Per Transmission Path¹
- b. SF Supervisory Signaling arrangement
- Per Transmission Path²
- c. E&M Type I Supervisory Signaling arrangement
- Per Transmission Path¹
- d. E&M Type 11 Supervisory Signaling arrangement
- Per Transmission Path¹
- e. E&M Type III Supervisory Signaling arrangement
- Per Transmission Path³
- f. Tandem Supervisory Signaling arrangement
- Per Transmission Path³

Note 1: Available with Interface Groups 1 and 2.

Note 2: Available with Interface Groups 2, 6 and/or 9.

Note 3: Available with Interface Groups 1 and 2 for CCFLC SWA FGC and CCFLC SWA FGD

SECTION 6 - CCFLC SWA SERVICE (CONT'D.)

6.8 Rates and Charges (Cont'd.)

6.8.1 CCFLC SWA Transport (Cont'd.)

H. Optional Features (Cont'd.)

2. IC specification of the receive transmission level at the first point of switching within a range acceptable to the Company
- Per Transmission Path¹
3. IC specification of CCFLC SWA Transport Termination Four-wire termination in lieu of two-wire termination
- Per Transmission Path²
4. Switched digital 56 kbps Services
- Per transmission Path Group arranged³
5. 64 Clear Channel Capability
- Per Channelized CCFLC SWA DS1/1.544 Mbps

CCFLC SWA High Capacity Channel Optioned as:

	Monthly Rate	Nonrecurring Charge	
		Initial	Subsequent
(a) Superframe Format (SF)	\$-	\$-	\$420.00
(b) Extended Superframe Format (ESF)	\$-	\$-	\$420.00
6. Reserved for Future Use			
7. Reserved for Future Use			
8. Tandem Signaling, Per Trunk ⁴			
	<u>Monthly</u> <u>Rate</u>	<u>Nonrecurring Charge</u>	
	\$-	<u>First</u>	<u>Additional</u>
		\$-	\$18.00

Note 1: Available with Interface Groups 2, 6 and/or 9 for CCFLC SWA FGA and CCFLC SWA FGB. The range of transmission levels which may be specified is described in Technical Reference PUB TR-NPL-000334.

Note 2: Available with CCFLC SWA FGB with Type B Transmission Specifications.

Note 3: Available with Interface Groups 6 and 9 for CCFLC SWA FGD.

Note 4: This charge is in addition to the charge set forth in 6.8.8.A.

SECTION 6 - CCFLC SWA SERVICE (CONT'D.)

6.8 Rates and Charges (Cont'd.)

6.8.1 CCFLC SWA Transport (Cont'd.)

I. Switched Local Channel - per Local Channel

1. Voice Grade

		<u>Monthly Rate</u>	<u>Nonrecurring Charge First Service Installed</u>	<u>Additional Service Installed</u>
(a)	Two-Wire	*	*	*
(b)	Four-Wire	*	*	*

2. DS1

(a)	1.544 Mbps	*	*	*
-----	------------	---	---	---

3. DS3 Service

(a)	44.736 Mbps	*	*	*
-----	-------------	---	---	---

4. End-Office Based Private Network

		<u>Monthly Rate</u>	<u>Nonrecurring Charge</u>
(a)	Per Local Channel	*	*

*The rates, charges and conditions for the provision of intrastate terminating Carrier Access Service are as specified in the NECA Tariff FCC No. 5 as it now exists, and as it may be revised, added to, or supplemented.

SECTION 6 - CCFLC SWA SERVICE (CONT'D.)

6.8 Rates and Charges (Cont'd.)

6.8.1 CCFLC SWA Transport (Cont'd.)

J. CCS7 Signaling Connections, CCS7 Signaling Terminations and CCS7 Access Arrangement Usage

	<u>Monthly Rate</u>	<u>Nonrecurring Charge</u>
1. CCS7 Signaling Connection		
(a) Per 56 kbps facility	*	*
2. CCS7 Signaling Termination		
(a) Per STP Port	*	*
3. CCS7 Point Code Establishment or Change		
	<u>First</u>	<u>Additional</u>
(a) Originating Point Code Established or Changed	*	*
(b) Per Destination Point Code, Established or Charged	*	*

*The rates, charges and conditions for the provision of intrastate terminating Carrier Access Service are as specified in the NECA Tariff FCC No. 5 as it now exists, and as it may be revised, added to, or supplemented.

The URL below provides access to the NECA Tariff No. 5.
<https://apps.fcc.gov/etfs/public/tariff.action?idTariff=110>

SECTION 6 - CCFLC SWA SERVICE (CONT'D.)

6.8 Rates and Charges (Cont'd.)

6.8.1 CCFLC SWA Transport (Cont'd.)

K. Switched Interoffice Channel - Switched Dedicated Transport

		Nonrecurring Charge	
		<u>First</u>	<u>Additional</u>
1. Voice Grade			
(a)	Per mile	*	*
(b)	Facility Termination	*	*
2. DS0 - 56/64 Kbps			
(a)	Per mile	*	*
(b)	Facility Termination	*	*
3. DS1 - 1.544 Mbps			
(a)	Per mile	*	*
(b)	Facility Termination	*	*
4. DS3 - 44.736 Mbps			
(a)	Per mile	*	*
(b)	Facility Termination	*	*

L. Switched Interoffice Channel - Switched Common Transport¹

		Rate Per Access <u>Minute</u>
1. Per Mile		
(a)	Premium – Terminating	*
	Premium - Originating	\$.00004
2. Facilities Termination		
(a)	Premium – Terminating	*
	Premium - Originating	\$.00036

Note 1: These charges also apply to the CCFLC SWA Common Transport IP Option.

*The rates, charges and conditions for the provision of intrastate terminating Carrier Access Service are as specified in the NECA Tariff FCC No. 5 as it now exists, and as it may be revised, added to, or supplemented.

SECTION 6 - CCFLC SWA SERVICE (CONT'D.)

6.8 Rates and Charges (Cont'd.)

6.8.1 CCFLC SWA Transport (Cont'd.)

M. Reserved for Future Use

N. Interconnection

1. Rate

(a)	(CCFLC) (The Florida Telephone Company, Inc.) – Terminating	*
	Originating	\$0.01213
(b)	CCFLC (Gulf Telephone Company) Terminating	*
	Originating	\$0.00682
(c)	CCFLC (St. Joseph Telephone and Telegraph Company) Terminating	*
	Originating	\$0.01144

*The rates, charges and conditions for the provision of intrastate terminating Carrier Access Service are as specified in the NECA Tariff FCC No. 5 as it now exists, and as it may be revised, added to, or supplemented.

SECTION 6 - CCFLC SWA SERVICE (CONT'D.)

6.8 Rates and Charges (Cont'd.)

6.8.1 CCFLC SWA Transport (Cont'd.)

O. Optional Features

1. Channelization - DS3

	Monthly <u>Rate</u>	Nonrecurring Charge	
		<u>Initial</u>	<u>Subsequent</u>
(a) DS3 to DS1, Per Arrangement	*	*	*
(b) Central Office Channel Interface, Per DS1	*	*	*

2. Channelization¹ - DS1

	Monthly <u>Rate</u>	Nonrecurring Charge	
		<u>Initial</u>	<u>Subsequent</u>
(a) Channelization System DS1 to DS0 or Analog, Per System	*	*	*
(b) Central Office Channel Interface, Per Interface, Switched Access	*	*	*
(c) Central Office Channel Interface, Per Interface, CCSAC Links	*	*	*

Note 1: DS1 Channelization Equipment monthly and recurring rates will not apply at the Company end office when directly integrated into a Company end office digital switching system.

*The rates, charges and conditions for the provision of intrastate terminating Carrier Access Service are as specified in the NECA Tariff FCC No. 5 as it now exists, and as it may be revised, added to, or supplemented.

SECTION 6 - CCFLC SWA SERVICE (CONT'D.)

6.8 Rates and Charges (Cont'd.)

6.8.1 CCFLC SWA Transport (Cont'd.)

P. CCFLC Dedicated Ring - Self-healing Multi-nodal Alternate Route Topology Ring - Month-to-Month

	<u>Month- to- Month</u>	<u>Nonrecurring Charge</u>
1. Local Channel (All capacities except OC-1)		
(a) Per Local Channel	*	*
(b) Per Quarter Air Mile	*	*
2. Alternate Central Office (All capacities except OC-1)		
(a) Per Alternate C.O. Channel	*	*
(b) Per Quarter Air Mile	*	*
3. Interoffice Channel (All capacities except OC-1)		
(a) Per Channel, except OC-192 and OC-192+ Capacity	*	*
(b) Fixed, OC-3 Capacity	*	*
(c) Fixed, OC-3+, OC-1 2, OC-48 or OC-48+ Capacity	*	*
(d) Fixed, OC- 192 or OC- 192+ Capacity	*	*
(e) Per Quarter Air Mile, OC-3 Capacity		*
(f) Per Quarter Air Mile, OC-3+, OC-12, OC-48 or OC-48+ Capacity	*	*
(g) Per Quarter Air Mile, OC-192 or OC-192+ Capacity	*	*

*The rates, charges and conditions for the provision of intrastate terminating Carrier Access Service are as specified in the NECA Tariff FCC No. 5 as it now exists, and as it may be revised, added to, or supplemented.

SECTION 6 - CCFLC SWA SERVICE (CONT'D.)

6.8 Rates and Charges (Cont'd.)

6.8.1 CCFLC SWA Transport (Cont'd.)

P. CCFLC Dedicated Ring - Self-healing Multi-nodal Alternate Route Topology Ring - Month-to-Month (Cont'd.)

	<u>Month-</u> <u>to-</u> <u>Month</u>	<u>Nonrecurring</u> <u>Charge</u>
4. Internodal Channel (All capacities except OC-1)		
(a) Per Internodal Channel, Same Wire Center Area, Per Quarter Air Mile	*	*
(b) Per Internodal Channel, Same Office Park/Campus Environment in Contiguous Serving Wire Center Areas, Per Quarter Air Mile	*	*
5. Customer Node (Per Customer Node)		
(a) OC-1 Capacity	*	*
(b) OC-3 Capacity	*	*
(c) OC-3+ Capacity	*	*
(d) OC-12 Capacity	*	*
(e) OC-48 Capacity	*	*
(f) OC-48+ Capacity	*	*
(g) OC-192 Capacity	*	*
(h) OC- 192+ Capacity	*	*

*The rates, charges and conditions for the provision of intrastate terminating Carrier Access Service are as specified in the NECA Tariff FCC No. 5 as it now exists, and as it may be revised, added to, or supplemented.

SECTION 6 - CCFLC SWA SERVICE (CONT'D.)

6.8 Rates and Charges (Cont'd.)

6.8.1 CCFLC SWA Transport (Cont'd.)

P. CCFLC Dedicated Ring - Self-healing Multi-nodal Alternate Route Topology
Ring - Month-to-Month (Cont'd.)

	<u>Month-to- Month</u>	<u>Nonrecurring Charge</u>
6. Customer Channel Interface (Per Customer Node)		
(a) Per DS1	*	*
(b) Per DS3	*	*
(c) Per STS-1	*	*
(d) Per OC-1	*	*
(e) Per OC-3, 2-Fiber	*	*
(f) Per OC-3, 4-Fiber	*	*
(g) Per OC- 12, 2-Fiber	*	*
(h) Per OC- 12, 4-Fiber	*	*
(i) Per OC-48, 2-Fiber	*	*
(j) Per OC-48, 4-Fiber	*	*
7. Central Office Node (Per Central Office Node)		
(a) OC-1 Capacity	*	*
(b) OC-3 Capacity	*	*
(c) OC-3+ Capacity	*	*
(d) OC-12 Capacity	*	*
(e) OC-48 Capacity	*	*
(f) OC-48+ Capacity	*	*
(g) OC-192 Capacity	*	*
(h) OC- 192+ Capacity	*	*
(i) OC-3 Shared Node Interconnection	*	*
(j) OC-1 2 Shared Node Interconnection	*	*
(k) OC-48 Shared Node Interconnection	*	*
(l) OC-48+ Shared Node Interconnection	*	*

*The rates, charges and conditions for the provision of intrastate terminating Carrier Access Service are as specified in the NECA Tariff FCC No. 5 as it now exists, and as it may be revised, added to, or supplemented.

SECTION 6 - CCFLC SWA SERVICE (CONT'D.)

6.8 Rates and Charges (Cont'd.)

6.8.1 CCFLC SWA Transport (Cont'd.)

P. CCFLC Dedicated Ring - Self-healing Multi-nodal Alternate Route Topology Ring - Month-to-Month (Cont'd.)

	<u>Month-</u> <u>to-</u> <u>Month</u>	<u>Nonrecurring</u> <u>Charge</u>
8. Central Office Channel Interface (Per Central Office Node)		
(a) Per DS1	*	*
(b) Per DS3	*	*
(c) Per STS-1	*	*
(d) Per OC-1	*	*
(e) Per OC-3, 2-Fiber	*	*
(f) Per OC-3, 4-Fiber	*	*
(g) Per OC-1 2, 2-Fiber	*	*
(h) Per OC-12,4-Fiber	*	*
(i) Per OC-48, 2-Fiber	*	*
(j) Per OC-48,4-Fiber	*	*
(k) Per 28 DS1 Channel System -DS3	*	*
(h) Per 28 DS1 Channel System - STS-1	*	*
(m) Per DS1 on 28 DS 1 Channel System - DS3	*	*
(n) Per DS1 on 28 DS1 Channel System - STS- 1	*	*

*The rates, charges and conditions for the provision of intrastate terminating Carrier Access Service are as specified in the NECA Tariff FCC No. 5 as it now exists, and as it may be revised, added to, or supplemented.

SECTION 6 - CCFLC SWA SERVICE (CONT'D.)

6.8 Rates and Charges (Cont'd.)

6.8.1 CCFLC SWA Transport (Cont'd.)

Q. CCFLC Dedicated Ring - Self-healing Multi-nodal Alternate Route Topology Ring -Transport Payment Plan

	Per Month Rates		
	A	B	C
	12-36 <u>Months</u>	37-60 <u>Months</u>	61-96 <u>Months</u>
1. Local Channel (All capacities except OC- 1)			
(a) Per Quarter Air Mile	*	*	*
2. Alternate Central Office (All capacities except OC-1)			
(a) Per Quarter Air Mile	*	*	*
3. Interoffice Channel (All capacities except OC-1)			
(a) Fixed, OC-3 Capacity	*	*	*
(b) Fixed, OC-3+, OC-12, OC-48 or OC-48+ Capacity	*	*	*
(c) Fixed, OC-192 or OC- 192+ Capacity	*	*	*
(d) Per Quarter Air Mile, OC-3 Capacity	*	*	*
(e) Per Quarter Air Mile, OC-3+, OC-12, OC-48 or OC-48+ Capacity	*	*	*
(f) Per Quarter Air Mile, OC- 192 or OC-192+ Capacity	*	*	*

*The rates, charges and conditions for the provision of intrastate terminating Carrier Access Service are as specified in the NECA Tariff FCC No. 5 as it now exists, and as it may be revised, added to, or supplemented.

SECTION 6 - CCFLC SWA SERVICE (CONT'D.)

6.8 Rates and Charges (Cont'd.)

6.8.1 CCFLC SWA Transport (Cont'd.)

Q. CCFLC Dedicated Ring - Self-healing Multi-nodal Alternate Route Topology Ring -Transport Payment Plan (Cont'd.)

		Per Month Rates		
		A	B	C
		12-36	37-60	61-96
		<u>Months</u>	<u>Months</u>	<u>Months</u>
4.	Internodal Channel (All capacities except OC-1)			
(a)	Per Internodal Channel, Same Wire Center Area, Per Quarter Air Mile	*	*	*
(b)	Per Internodal Channel, Same Office Park/ Campus Environment in Contiguous Serving Wire Center Areas, Per Quarter Air Mile	*	*	*
5.	Customer Node (Per Customer Node)			
(a)	OC-1 Capacity	*	*	*
(b)	OC-3 Capacity	*	*	*
(c)	OC-3+ Capacity	*	*	*
(d)	OC-12 Capacity	*	*	*
(e)	OC-48 Capacity	*	*	*
(f)	OC-48+ Capacity	*	*	*
(g)	OC-192 Capacity	*	*	*
(h)	OC- 192+ Capacity	*	*	*

*The rates, charges and conditions for the provision of intrastate terminating Carrier Access Service are as specified in the NECA Tariff FCC No. 5 as it now exists, and as it may be revised, added to, or supplemented.

SECTION 6 - CCFLC SWA SERVICE (CONT'D.)

6.8 Rates and Charges (Cont'd.)

6.8.1 CCFLC SWA Transport (Cont'd.)

Q. CCFLC Dedicated Ring-Self-healing Multi-nodal Alternate Route Topology
Ring - Transport Payment Plan (Cont'd.)

		Per Month Rates		
		A	B	C
		12-36	37-60	61-96
		<u>Months</u>	<u>Months</u>	<u>Months</u>
6.	Customer Channel Interface (Per Customer Node)			
	(a) Per DS1	*	*	*
	(b) Per DS3	*	*	*
	(c) Per STS-1	*	*	*
	(d) Per OC-1	*	*	*
	(e) Per OC-3, 2-Fiber	*	*	*
	(f) Per OC-3, 4-Fiber	*	*	*
	(g) Per OC-12,2-Fiber	*	*	*
	(h) Per OC- 12, 4-Fiber	*	*	*
	(i) Per OC-48,2-Fiber	*	*	*
	(j) Per OC-48,4-Fiber	*	*	*
7.	Central Office Node (Per Central Office Node)			
	(a) OC-1 Capacity	*	*	*
	(b) OC-3 Capacity	*	*	*
	(c) OC-3+ Capacity	*	*	*
	(d) OC- 12 Capacity	*	*	*
	(e) OC-48 Capacity	*	*	*
	(f) OC-48+ Capacity	*	*	*
	(g) OC- 192 Capacity	*	*	*
	(h) OC-192+ Capacity	*	*	*
	(i) OC-3 Shared Node Interconnection	*	*	*
	(j) OC- 12 Shared Node Interconnection	*	*	*
	(k) OC-48 Shared Node Interconnection	*	*	*
	(l) OC-48+ Shared Node nterconnection	*	*	*

*The rates, charges and conditions for the provision of intrastate terminating Carrier Access Service are as specified in the NECA Tariff FCC No. 5 as it now exists, and as it may be revised, added to, or supplemented.

SECTION 6 - CCFLC SWA SERVICE (CONT'D.)

6.8 Rates and Charges (Cont'd.)

6.8.1 CCFLC SWA Transport (Cont'd.)

Q. CCFLC Dedicated Ring-Self-healing Multi-nodal Alternate Route Topology
Ring - Transport Payment Plan (Cont'd.)

		Per Month Rates		
		A	B	C
		12-36	37-60	61-96
		<u>Months</u>	<u>Months</u>	<u>Months</u>
8.	Central Office Channel Interface (Per Central Office Node)			
(a)	Per DS1	*	*	*
(b)	Per DS3	*	*	*
(c)	Per STS-1	*	*	*
(d)	Per OC-1	*	*	*
(e)	Per OC-3, 2-Fiber	*	*	*
(f)	Per OC-3, 4-Fiber	*	*	*
(g)	Per OC-12,2-Fiber	*	*	*
(h)	Per OC-12,4-Fiber	*	*	*
(i)	Per OC-48, 2-Fiber	*	*	*
(j)	Per OC-48,4-Fiber	*	*	*
(k)	Per 28 DS1 Channel System -DS3	*	*	*
(l)	Per 28 DS1 Channel System - STS-1	*	*	*
(m)	Per DS1 on 28 DS1 Channel System - DS3	*	*	*
(n)	Per DS1 on 28 DS1 Channel System - STS-1	*	*	*

*The rates, charges and conditions for the provision of intrastate terminating Carrier Access Service are as specified in the NECA Tariff FCC No. 5 as it now exists, and as it may be revised, added to, or supplemented.

SECTION 6 - CCFLC SWA SERVICE (CONT'D.)

6.8 Rates and Charges (Cont'd.)

6.8.1 CCFLC SWA Transport (Cont'd.)

R. CCFLC Dedicated Ring - Self-healing Multi-nodal Alternate Route Topology Ring

1. Channel Interface Reallocation

Nonrecurring
Charge

(a) Per Node, Per Occurrence

*

S. Channels for Use With CCFLC Managed Shared Ring Service

1. Off-Net CCFLC SWA DS1 and Off-Net CCFLC SWA DS3 Channels

Recurring Charges

	Month to Month	Plan A 36 Months	Plan B 60 Months
(a) Off-Net CCFLC SWA DS1, per Channel	*	*	*
(b) Off-Net CCFLC SWA DS3, per Channel	*	*	*

*The rates, charges and conditions for the provision of intrastate terminating Carrier Access Service are as specified in the NECA Tariff FCC No. 5 as it now exists, and as it may be revised, added to, or supplemented.

SECTION 6 - CCFLC SWA SERVICE (CONT'D.)

6.8 Rates and Charges (Cont'd.)

6.8.2 Local Switching

A. Local Switching Rates and Optional Features

1. Usage Sensitive Rates

	Rate Per Access Minute
(a) Local Switch – all areas	
Terminating	*
Originating	\$.01770
(b) Common Trunk Port Service per Each Common Transport Trunk Termination Office Trunk Port Service	
Terminating	*
Originating	\$.000800

*The rates, charges and conditions for the provision of intrastate terminating Carrier Access Service are as specified in the NECA Tariff FCC No. 5 as it now exists, and as it may be revised, added to, or supplemented.

SECTION 6 - CCFLC SWA SERVICE (CONT'D.)

6.8 Rates and Charges (Cont'd.)

6.8.2 Local Switching (Cont'd.)

A. Local Switching Rates and Optional Features (Cont'd.)

2. Dedicated End

Monthly
Rate

(a) Per dedicated DS0/VG trunk port required *

(b) Per dedicated DS1 trunk port required *

3. Common Switching Optional Features (CCFLC SWA FG Customers Only)

- a. Hunt Group Arrangement, available with CCFLC SWA FGA Per Transmission Path Group
- b. Uniform Call Distribution Arrangement, available with CCFLC SWA FGA Per Transmission Path Group
- c. Nonhunting Numbers for use with Hunt Group Arrangements or Uniform Call Distribution Arrangement available with CCFLC SWA FGA Per Transmission Path
- d. Automatic Number Identification /Charge Number, available with CCFLC SWA FGB, CCFLC SWA FGC and CCFLC SWA FGD Per Transmission Path Group

*The rates, charges and conditions for the provision of intrastate terminating Carrier Access Service are as specified in the NECA Tariff FCC No. 5 as it now exists, and as it may be revised, added to, or supplemented.

SECTION 6 - CCFLC SWA SERVICE (CONT'D.)**6.8 Rates and Charges (Cont'd.)****6.8.2 Local Switching (Cont'd.)****A. Local Switching Rates and Optional Features (Cont'd.)****4. Common Switching (Feature Group Customers Only)**

- a. Call Denial on line or hunt group, available with CCFLC SWA FGA

Per Transmission Path or Transmission Group

- b. Service Code Denial on line or hunt group available, with CCFLC SWA FGA

Per Transmission Path or Transmission Path Group

- c. Enhanced Call Denial, available with CCFLC SWA FGA only
Per Transmission Path Equipped

- d. Up to 7 Digit Outpulsing of Access Digits to IC, available with CCFLC SWA FGB
Per Transmission Path Group

- e. Alternate Traffic Routing

- Multiple IC Premises Alternate Routing, available with CCFLC SWA FGB, CCFLC SWA FGC, and CCFLC SWA FGD
Per End Office and Access Tandem

- End Office Alternate Routing when ordered in Trunks, available with CCFLC SWA FGB and CCFLC SWA FGD
Per End Office and Access Tandem

- f. Service Class Routing, available with CCFLC SWA FGC and CCFLC SWA FGD
Per End Office and Access Tandem

SECTION 6 - CCFLC SWA SERVICE (CONT'D.)

6.8 Rates and Charges (Cont'd.)

6.8.2 Local Switching (Cont'd.)

A. Local Switching Rates and Optional Features (Cont'd.)

4. Common Switching (Feature Group)

- g. Dial Pulse Address Signaling, available with CCFLC SWA FGC
Per Transmission Path Group
- h. Revertive Pulse Address Signaling, available with CCFLC SWA
FGC
Per Transmission Path Group
- i. Delay Dial Start-Pulsing Signaling, available with CCFLC SWA
FGC
Per Transmission Path Group
- j. Immediate Dial Pulse Address Signaling, available with CCFLC
SWA FGC
Per Transmission Path Group
- k. Trunk Access Limitation Arrangement, available with CCFLC
SWA FGC and CCFLC SWA FGD
Per End Office
- l. Call Gapping Arrangement, available with CCFLC SWA FGD
Per End Office
- m. Cut-Through, available with CCFLC SWA FGD
Per End Office and Access Tandem

SECTION 6 - CCFLC SWA SERVICE (CONT'D.)

6.8 Rates and Charges (Cont'd.)

6.8.2 Local Switching (Cont'd.)

A. Local Switching Rates and Optional Features (Cont'd.)

4. Common Switching (CCFLC SWA FG Customers Only) (Cont'd.)

- n. Switched digital 56 kbps services switching capability, available with CCFLC SWA FGD only
- o. Calling Party Number
Per end office, per Transmission Path group
- p. Carrier Selection Parameter
Per end office, per Transmission Path group
- q. Access Transport Parameter, available with CCFLC SWA FGD 64CCC only Per end office per Di-Group
- r. Call Screening
Per Transmission Path or Transmission Path Group
- s. 950-XXXX Dialing Over CCFLC SWA FGD

Per 950-XXXX number per end office and access tandem trunk group equipped

SECTION 6 - CCFLC SWA SERVICE (CONT'D.)

6.8 Rates and Charges (Cont'd.)

6.8.2 Local Switching (Cont'd.)

A. Local Switching Rates and Optional Features (Cont'd.)

5. Reserved for Future Use

6. Common Switching Optional Features for Use with Dedicated Access Lines (CCFLC SWA FG Customers)

a. Band Advance Arrangement for use with WATS Access Lines (a.k.a. SPA WATS Line), available with CCFLC SWA FGC and CCFLC SWA FGD Per Transmission Path Group

b. End Office End User Line Service Screening for use with WATS Access Lines (a.k.a. SPA WATS Line), available with CCFLC SWA FGC and CCFLC SWA FGD Per Transmission Path

c. Hunt Group Arrangement for use with WATS Access Lines (a.k.a. SPA WATS Line), available with CCFLC SWA FGC and CCFLC SWA FGD Per Transmission Path Group

d. Uniform Call Distribution Arrangement use with WATS Access Lines (a.k.a. SPA WATS Line), available with CCFLC SWA FGC and CCFLC SWA FGD Per Transmission Path Group

e. Nonhunting Number for use with Hunt Group Arrangement or Uniform Call Distribution Arrangement for use with WATS Access Lines (a.k.a. SPA WATS Line), available with CCFLC SWA FGC and CCFLC SWA FGD Per Transmission Path

SECTION 6 - CCFLC SWA SERVICE (CONT'D.)

6.8 Rates and Charges (Cont'd.)

6.8.2 Local Switching (Cont'd.)

A. Local Switching Rates and Optional Features (Cont'd.)

7. Reserved for Future Use

8. CCFLC SWA Transport Termination Options

a. Line Side Terminations for CCFLC SWA FGA

- (1) Two Way Operation
 - Dial Pulse with Loop Start
 - Dial Pulse with Ground Start
 - DTMF with Loop Start
 - DTMF with Ground Start
- (2) Terminating Operation
 - Dial Pulse with Loop Start
 - Dial Pulse with Ground Start
 - DTMF with Loop Start
 - DTMF with Ground Start
- (3) Originating Operation
 - Loop Start
 - Ground Start

SECTION 6 - CCFLC SWA SERVICE (CONT'D.)

6.8 Rates and Charges (Cont'd.)

6.8.2 Local Switching (Cont'd.)

A. Local Switching Rates and Optional Features (Cont'd.)

8. CCFLC SWA Transport Termination Options

b. Trunk Side Terminations for CCFLC SWA FGB, CCFLC SWA FGC and CCFLC SWA FGD

- (1) Standard Trunk for Originating, Terminating or Two-Way operation, available with CCFLC SWA FGB, CCFLC SWA FGC and CCFLC SWA FGD
- (2) Rotary Dial Station Signaling Trunk, available with CCFLC SWA FGB
- (3) Operator Trunk, Coin, Non-Coin or Combined Coin and Non-Coin, available with CCFLC SWA FGC
- (4) Operator Trunk, Full Feature Arrangement, available with CCFLC SWA FGD

SECTION 6 - CCFLC SWA SERVICE (CONT'D.)

6.8 Rates and Charges (Cont'd.)

6.8.2 Local Switching (Cont'd.)

B. Line Terminations

1. WATS Access Line (a.k.a. CCFLC SPA WATS Line) Termination
Optional Features a. Line Side Terminations:

a. Line Side Terminations:

- (1) Originating Only Loop Start, Line Side Connection, with DTMF Address Signaling Per WATS Access Line (a.k.a. SPA WATS Line)
- (2) Originating Only Loop Start, Line Side Connection, with Dial Pulse Address Signaling Per WATS Access Line (a.k.a. SPA WATS Line)
- (3) Originating Only Ground Start, Line Side Connection, with DTMF Address Signaling Per WATS Access Line (a.k.a. SPA WATS Line)
- (4) Originating Only Ground Start, Line Side Connection, with Dial Pulse Address Signaling Per WATS Access Line (a.k.a. SPA WATS Line)
- (5) Terminating Only Loop Start, Line Side Connection Per WATS Access Line (a.k.a. SPA WATS Line)
- (6) Terminating Only Ground Start, Line Side Connection Per WATS Access Line (a.k.a. SPA WATS Line)

b. Trunk Side Terminations:

- (1) Terminating Only Trunk Side Connection for forwarding of Dialed Number Identification to End User Per Transmission Path

SECTION 6 - CCFLC SWA SERVICE (CONT'D.)

6.8 Rates and Charges (Cont'd.)

6.8.2 Local Switching (Cont'd.)

C. CCFLC SWA 900 Service NXX Activation Charge

1. Per Company End Office Switch or Access Tandem in which translations are required

	Nonrecurring Charge
(a) First NXX Code submitted on ASR	\$43.61
(b) Additional NXX Codes submitted on same ASR	\$21.51

6.8.3 WATS Access Line (a.k.a. SPA WATS Line) Service

A. Monthly Rate

	Monthly Rate
1 Access Lines	
(a) 2-wire Out WATS (a.k.a. SPA WATS Line) and CCFLC SWA 8XX Toll Free Dialing Ten Digit Screening Service ^{1,2}	\$38.00
(b) 4-wire OutWATS and CCFLC SWA 8XX Toll Free Dialing Ten Digit Screening service	\$38.00

Note 1: The WATS Access Line (a.k.a. SPA WATS Line) Monthly Rates will be reduced by the amount of the gross receipts tax for certified vendors of telecommunications services.

Note 2: This service will be available 60 days from receipt of the first request for service.

SECTION 6 - CCFLC SWA SERVICE (CONT'D.)

6.8 Rates and Charges (Cont'd.)

6.8.3 WATS Access Line (a.k.a. SPA WATS Line) Service (Cont'd.)

A. Monthly Rate (Cont'd.)

2. Access Line Extensions

a. Located in the Same Exchange as Main Termination

(1)	First extension termination on different premises from main termination	Monthly Rate
(a)	Each	\$25.00
(2)	Additional termination in same building as main or other extension termination	
(a)	Each ¹	\$-
(3)	First extension termination in different building, same premises as main or other extension termination	
(a)	Each	\$9.25

Note 1: Nonrecurring charge applies.

SECTION 6 - CCFLC SWA SERVICE (CONT'D.)

6.8 Rates and Charges (Cont'd.)

6.8.3 WATS Access Line (a.k.a. SPA WATS Line) Service (Cont'd.)

A. Monthly Rate (Cont'd.)

2. Access Line Extensions (Cont'd.)

b. Located in Different Exchange from Main Termination within same LATA

(1) Interexchange channel mileage charges and channel terminal charges apply as specified for series 2000 channels in this Company's Private Line Service Tariff plus:

	Monthly Rate
(a) First termination	\$25.00
(b) Additional termination in same building with first or other extension termination, each	-
(c) Additional termination in different building, same premises as first or other extension termination, each	\$9.25
(d) Additional termination on different premises, same exchange as first termination, each	\$25.00

3. Four-Wire Terminating Arrangement

(a) Each arrangement¹ \$10.00

Note 1: This charge is in addition to the access line monthly recurring charges.

SECTION 6 - CCFLC SWA SERVICE (CONT'D.)

6.8 Rates and Charges (Cont'd.)

6.8.3 WATS Access Line (a.k.a. SPA WATS Line) Service (Cont'd.)

B. Installation Charges

Service Ordering Charge - The term Service Ordering Charge means the charge that applies for work performed by the Company in connection with the receiving, recording and processing of customer requests for service.

Central Office Work Charge and New Line Connection Charge - Covers work associated with establishing or changing each WATS access line (a.k.a. SPA WATS Line) or access line extension connection.

Premises Visit Charge - The term Premises Visit Charge means the charge that applies for a visit to the customer's premises to perform work, other than disconnect work, requested by the customer.

1. For installation of WATS access lines (a.k.a. SPA WATS Line), extensions or four-wire terminating arrangements

a. Access Lines and Extension Lines

		Nonrecurring Charge
(1)	Service Ordering - Primary	
	(a) Each order	\$35.00
(2)	Service Ordering - Secondary	
	(a) Each order	12.50
(3)	Central Office Work Charge ¹	
	(a) Each	19.50
(4)	New Line Connection Charge ²	
	(a) Each	31.50
(5)	Premises Visit	
	(a) Each visit	19.00

b. Four-Wire Terminating Arrangements

(1)	This charge is in addition to the access line nonrecurring charges.	
	(a) Each arrangement	17.00

Note 1: Central Office Work Charge is applicable for all access lines connected.

Note 2: New Line Connection Charge is applicable for all new access lines or additional access lines over and above the number previously installed at a premises.

SECTION 6 - CCFLC SWA SERVICE (CONT'D.)

6.8 Rates and Charges (Cont'd.)

6.8.3 WATS Access Line (a.k.a. SPA WATS Line) Service (Cont'd.)

B. Installation Charges (Cont'd.)

2. For moving a WATS access line (a.k.a. SPA WATS Line) or extension line

a. Inside Move

Nonrecurring
Charge

(1) Service Ordering

(a) Each order \$12.50

(2) Premises Visit

(a) Each visit 19.00 NA

b. Outside Move, Different Building

Moves to a different building will be treated as a disconnect of the existing access line or extension and installation charges as specified in A19.5.10.A. of the General Subscriber Service Tariff will be applicable.

3. Conversion Charges

a. Changing the CCFLC SWA 8XX Toll Free Ten Digit Screening service telephone number to a different number at the request of the customer

(1) Service Ordering

Nonrecurring
Charge

(a) Each order 12.50

(2) Central Office Work Charge¹

(a) Each 19.50

Note 1: Central Office Work Charge is applicable for all access lines connected.

SECTION 6 - CCFLC SWA SERVICE (CONT'D.)

6.8 Rates and Charges (Cont'd.)

6.8.3 WATS Access Line (a.k.a. SPA WATS Line) Service (Cont'd.)

B. Installation Charges (Cont'd.)

2. For moving a WATS access line (a.k.a. SPA CCFLC WATS Line) or extension line (Cont'd.)

- b. Separating an existing CCFLC SWA 8XY Toll Free Ten Digit Screening service into two or more hunting arrangements which contain the same CCFLC SWA 8XX Toll Free Ten Digit Screening service access lines as the original hunting arrangement

Nonrecurring
Charge

- (1) Service Ordering
 - (a) Each order \$12.50
- (2) Central Office Work Charge¹
 - (a) Each \$19.50

- c. Combining two or more CCFLC SWA 8XX Toll Free Ten Digit Screening service hunting arrangements into a single hunting arrangement containing the same CCFLC SWA 8XX Toll Free Ten Digit Screening service access lines

- (1) Service Ordering
 - (a) Each order \$12.50
- (2) Central Office Work Charge¹
 - (a) Each \$19.50

Note 1: Central Office Work Charge is applicable for all access lines connected.

SECTION 6 - CCFLC SWA SERVICE (CONT'D.)

6.8 Rates and Charges (Cont'd.)

6.8.3. WATS Access Line (a.k.a. SPA WATS Line) Service (Cont'd.)

B. Installation Charges (Cont'd.)

4. Conversion to a Four-Wire Termination Arrangement

		Nonrecurring Charge
(a)	Each arrangement ¹	\$85.75

Note 1: Central Office Work Charge is applicable for all access lines connected.

SECTION 6 - CCFLC SWA SERVICE (CONT'D.)

6.8 Rates and Charges (Cont'd.)

6.8.4. CCFLC SWA 8XX Toll Free Dialing Ten Digit Screening Service

A. CCFLC SWA 8XX Toll Free Dialing Ten Digit Screening Service

1. Per 800 Call Utilizing CCFLC SWA 8XX Toll Free Dialing Ten Digit Screening Service with 800 Number Delivery

	Monthly
	Rate
(a) Per query	\$.004

2. Per 800 Call Utilizing CCFLC SWA 8XX Toll Free Dialing Ten Digit Screening service with 800 Number Delivery for 800 Numbers with Optional Complex Feature, i.e., Call Handling and Destination Features

	Monthly
	Rate
(a) Per query	\$0.0045

3. Per 800 Call Utilizing CCFLC SWA 8XX Toll Free Dialing Ten Digit Screening service with POTS Number Delivery

	Monthly
	Rate
(a) Per query	\$0.004

SECTION 6 - CCFLC SWA SERVICE (CONT'D.)

6.8 Rates and Charges (Cont'd.)

6.8.4. CCFLC SWA 8XX Toll Free Dialing Ten Digit Screening Service (Cont'd.)

A. CCFLC SWA 8XX Toll Free Dialing Ten Digit Screening Service (Cont'd.)

- 4. Per 800 Call Utilizing CCFLC SWA 8XX Toll Free Dialing Ten Digit Screening Service with POTS Number Delivery for 800 Numbers with Optional Complex Feature, i.e., Call Handling and Destination Features¹

(a) Per query	Monthly Rate \$0.0045
---------------	---------------------------------

Note 1: This element cannot be billed prior to July 1, 1993. Prior to July 1, 1993, the applicable query rate element, with 800 number delivery or with POTS number delivery, will be applied.

SECTION 6 - CCFLC SWA SERVICE (CONT'D.)

6.8 Rates and Charges (Cont'd.)

6.8.5 Service Rearrangements

A. Change of Service

1. Submitted on the Same ASR¹

(a) Per request

Nonrecurring
Charge
*

B. CCFLC SWA FGA

1. Line Side Service

(a) Per transmission path² *

C. CCFLC SWA FGB, CCFLC SWA FGC, CCFLC SWA FGD

1. Trunk Side Service

(a) Per transmission path² *

D. Common Block

1. Translations Related

(a) Per end office and tandem
office affected² \$62.00

E. CCFLC SWA 500 Service

1. Change in dialing capability

(a) Per NXX per end office and tandem office
Affected² \$15.00

Note 1: This charge is in addition to that set forth in 6.8.8.A.

Note 2: For translation changes to allow 950 dialing on existing CCFLC SWA FGD trunks, this charge is applied per each 950 number converted, per end office and tandem office affected.

*The rates, charges and conditions for the provision of intrastate terminating Carrier Access Service are as specified in the NECA Tariff FCC No. 5 as it now exists, and as it may be revised, added to, or supplemented.

SECTION 6 - CCFLC SWA SERVICE (CONT'D.)

6.8 Rates and Charges (Cont'd.)

6.8.5 Service Rearrangements (Cont'd.)

F. CCFLC SWA 900 Service

1. 0+ dialing capability

(a) Per NXX per end office and tandem office affected¹

Nonrecurring
Charge
\$16.00

G. 64 CCC Option

1. CCFLC SWA FGD

(a) Per transmission path²

Nonrecurring Charge
First Additional
\$470.00 \$76.00

H. CCFLC SWA Transport

1. Per rearrangement

(a) CCFLC SWA DS1

*

(b) CCFLC SWA DS3

*

Note 1: This charge is in addition to that set forth in 6.8.8.A.

Note 2: Central Office Work Charge is applicable for all access lines connected.

*The rates, charges and conditions for the provision of intrastate terminating Carrier Access Service are as specified in the NECA Tariff FCC No. 5 as it now exists, and as it may be revised, added to, or supplemented.

SECTION 6 - CCFLC SWA SERVICE (CONT'D.)

6.8 Rates and Charges (Cont'd.)

6.8.5. Service Rearrangements (Cont'd.)

I. Reconfiguration Charges

- | | | |
|-----|---|------------------------|
| 1. | Per customer request for Voice Grade reconfiguration | Nonrecurring
Charge |
| (a) | Each | * |
| (b) | Per Line Side (CCFLC SWA
FGA | * |
| (c) | Per Trunk Side (CCFLC SWA
FGB, CCFLC SWA FGC,
CCFLC SWA FGD) | * |
| 2. | Per customer request for CCFLC SWA
DS1 Reconfiguration | |
| (a) | Each | * |
| (b) | Per CCFLC SWA DS1 Circuit
Reconfigured | * |
| 3 | Per customer request for CCFLC SWA
DS3 Reconfiguration | |
| (a) | Each | * |
| (b) | Per CCFLC SWA DS3 Circuit
Reconfigured | * |

*The rates, charges and conditions for the provision of intrastate terminating Carrier Access Service are as specified in the NECA Tariff FCC No. 5 as it now exists, and as it may be revised, added to, or supplemented.

SECTION 6 - CCFLC SWA SERVICE (CONT'D.)

6.8 Rates and Charges (Cont'd.)

6.8.6. Transfer of Service

A. Transfer of Service

1.	Billing Account Number	Nonrecurring Charge
(a)	Each	\$60.00

B. CCFLC SWA FGA

1.	Line Side Service	
(a)	Per transmission path ¹	6.00

C. CCFLC SWA FGB, CCFLC SWA FGC, CCFLC SWA FGD

1.	Trunk Side Service	
(a)	Per transmission path ¹	7.00

Note 1: This charge is in addition to that set forth in 6.8.9.A.

SECTION 6 - CCFLC SWA SERVICE (CONT'D.)

6.8 Rates and Charges (Cont'd.)

6.8.7. Shared Network Arrangement

A. Coordination and Processing Charges

1.	Coordination Charge	Monthly Rate	Nonrecurring Charge
(a)	Per Arrangement	*	*
2.	Processing Charge		
(a)	Per Service Order	*	*

6.8.8. CCFLC SWA 500 Service

A. CCFLC SWA 500 Service

1.	500 Customer Identification		Rate
(a)	Per call		\$.01
2.	Service Activation Charge - Per Company End Office Switch or Access Tandem in which translations are required		
(a)	First NXX Code submitted on ASR		Nonrecurring Charge \$40.00
(b)	Additional NXX Code submitted on ASR		\$20.00

*The rates, charges and conditions for the provision of intrastate terminating Carrier Access Service are as specified in the NECA Tariff FCC No. 5 as it now exists, and as it may be revised, added to, or supplemented.

SECTION 7 - DEDICATED ACCESS SERVICES**7.1 General**

- 7.1.1 Channel Types
- 7.1.2 Rate Categories
- 7.1.3 Service Configurations
- 7.1.4 Alternate Use
- 7.1.5 Special Facilities Routing
- 7.1.6 Design Layout Report
- 7.1.7 Acceptance Testing
- 7.1.8 Ordering Options and Conditions
- 7.1.9 Jurisdictional Report Requirements

7.2 Service Description

- 7.2.1 Telegraph Grade (a.k.a. CCFLC SPA Telegraph) Service
- 7.2.2 Voice Grade (a.k.a. CCFLC SPA DS0 VG) Service
- 7.2.3 Digital Data Access (a.k.a. CCFLC SPA DS0 VG) Service
- 7.2.4 High Capacity (a.k.a. CCFLC SPA DS0 Digital Data) Service
- 7.2.5 SPA Shared Ring
- 7.2.6 Channels For Use With SPA Managed Shared Ring Network
- 7.2.7 Derived Data Channel (a.k.a. CCFLC SPA Derived Data Channel) Service
- 7.2.8 Dedicated Ring
- 7.2.9 CCFLC Metro Ethernet Service

7.3 Channel Interface and Network Channel Codes

- 7.3.1 Glossary of Channel Interface Codes and Options
- 7.3.2 Impedance
- 7.3.3 Digital Hierarchy and Channel Interface Codes
- 7.3.4 Service Designator Network Channel Code Conversion Table

7.4 Rate Regulations

- 7.4.1 Types of Rates and Charges
- 7.4.2 Dedicated Access Service Capable of Using the Local Exchange Network
- 7.4.3 Reserved for Future Use
- 7.4.4 Minimum Periods
- 7.4.5 Moves
- 7.4.6 Mileage Measurement
- 7.4.7 Facility Hubs
- 7.4.8 Shared Use Analog and Digital High Capacity (a.k.a. CCFLC SPA High Capacity) Services
- 7.4.9 SPA Customer Reconfiguration

SECTION 7 - DEDICATED ACCESS SERVICES (Cont'd.)

7.4 Rate Regulations (cont'd)

- 7.4.10 Derived Data Channel (a.k.a. CCFLC SPA Derived Data Channel) Service (DDCS)
- 7.4.11 Dedicated Ring
- 7.4.12 Zone Pricing
- 7.4.13 Channels For Use With SPA Managed Shared Ring Network
- 7.4.14 SPA Shared Ring
- 7.4.15 CCFLC Metro Ethernet service

7.5 Rates and Charges

- 7.5.1 Telegraph Grade (a.k.a. CCFLC SPA Telegraph) Service
- 7.5.2 Voice Grade (a.k.a. CCFLC SPA DS0 VG) Service
- 7.5.3 Digital Data Access (a.k.a. CCFLC SPA DS0 Digital Data) Service
- 7.5.4 High Capacity (a.k.a. CCFLC SPA High Capacity) Service
- 7.5.5 Digital Data Access Service
- 7.5.6 Reconfiguration Charges
- 7.5.7 Transfer of Service
- 7.5.8 Derived Data Channel (a.k.a. CCFLC SPA Derived Data Channel) Service
- 7.5.9 SPA Customer Reconfiguration
- 7.5.10 CCFLC SPA Shared Ring
- 7.5.11 Dedicated Ring
- 7.5.12 Channels For Use With SPA Managed Shared Ring Network
- 7.5.13 CCFLC Metro Ethernet Service

SECTION 7 - DEDICATED ACCESS SERVICES (Cont'd.)

7.1 General

Dedicated Access Services provide a transmission path to directly connect an IC terminal location in a LATA to the End User's premises; two IC terminal locations; an IC terminal location and a HUB; or a HUB and an End User's premises. Dedicated Access Services include all exchange access not utilizing Company end office switches. This type of Access Service is used, for example, by IC's for the provision of private line service. When the Company incurs costs as a result of an IC generated activity, defined as the relocation of an IC POP, Dedicated Access Services nonrecurring charges will be billed to the IC. Prorating of high capacity services among End Users will not be allowed.

The connections provided by Dedicated Access Services can be either analog or digital. Analog connections are differentiated by spectrum and bandwidth. Digital connections are differentiated by bit rate.

7.1.1 Channel Types

There are six types of channels used to provide Dedicated Access Services. Each type has its own characteristics. All are subdivided by one or more of the following:

- Transmission specifications
- Bandwidth
- Speed (i.e., bit rate)
- Spectrum

Customers can order a basic channel and select from a list of available transmission parameters and channel interfaces, that they desire to meet specific communications requirements.

For purposes of ordering channels, each has been identified as a type of Dedicated Access Service. However, such identification is not intended to limit a customer's use of the channel, nor to imply that the channel is limited to a particular use.

SECTION 7 - DEDICATED ACCESS SERVICES (Cont'd.)**7.1 General (Cont'd.)****7.1.1 Channel Types (Cont'd.)**

Following is a brief description of each type of channel:

1. Telegraph Grade (a.k.a. CCFLC SPA Telegraph) (TG) - a channel for the transmission of binary signals at rates of 0 to 75 baud or 0 to 150 baud.
2. Voice Grade (a.k.a. CCFLC SPA DS0 VG) (VG) - a channel for the transmission of analog signals within an approximate bandwidth of 300-3000 Hz.
3. Digital Data Access (a.k.a. CCFLC SPA DS0 Digital Data) Service (DDAS) - a channel for the digital transmission of synchronous serial data at rates of 2.4, 4.8, 9.6, 19.2, 56.0 or 64.0 Kbps.
4. High Capacity (a.k.a. CCFLC SPA High Capacity) (HQ) - a channel for the transmission of isochronous serial digital data at rates of 1.544, 3.152, 6.312, or 44.736 Mbps.
5. Derived Data Channel (a.k.a. CCFLC SPA Derived Data Channel) - a digital data channel derived from a two-wire local exchange facility that transmits voice and data signals simultaneously.

Detailed descriptions of each of the channel types are provided in E7.2 following.

The customer also has the option of ordering digital high capacity facilities (i.e., 1.544 Mbps, 3.152 Mbps, 6.312 Mbps, and 44.736 Mbps) to a Company Hub for channelization to individual channels of a lower capacity. Descriptions of the types of channelization available at the hubs, as well as the number of individual channels which may be derived from each type of facility are set forth in E7.2 following. Additionally, the customer may specify optional features for the individual channels derived from the facility to further tailor the channel to meet specific communications requirements. Descriptions of the optional features and functions available are also set forth in E7.2 following.

For example, a customer may order a 44.736 Mbps facility from a designated premises to a Company Hub for channelization to twenty-eight 1.544 Mbps channels. The 1.544 Mbps channels may be further channelized at the same or a different Hub to Voice Grade (a.k.a. CCFLC SPA DS0 VG) channels or may be extended to other customer designated premises. Optional features may be added to either the 1.544 Mbps or the Voice Grade (a.k.a. CCFLC SPA DS0 VG) channels.

Note 1: Company Centrex CO-like switches and other Company CO derived services are considered to be End User's premises for purposes of this Tariff.

SECTION 7 - DEDICATED ACCESS SERVICES (Cont'd.)

7.1 General (Cont'd.)

7.1.2 Rate Categories

The following basic rate categories apply to Dedicated Access Services:

- Local Channels (described in A. following)
- Interoffice Channel (described in B. following)
- Optional Features and Functions (described in C. following)
- Dedicated Ring (described in the following)

These basic categories are shown in the diagram in 7.1.3.

The rate categories for SPA Shared Ring service are:

- SPA DS1 Shared Ring Area Connection (described in D. following)
- SPA DS1 Shared Ring) Area Junction (described in E. following)

The rate categories for Channels For Use With SPA Managed Shared Ring Network are described in G. following.

A. Local Channel

The Local Channel rate category provides for the communications path between a customer designated premises and the serving wire center of that premises. Included as part of the Local Channel is a standard channel interface arrangement which defines the technical characteristics associated with the type of facilities to which the access service is to be connected at the Point of Termination (POT) and the type of signaling capability, if any. The signaling capability itself is provided as an optional feature as set forth in C. following. One Local Channel charge applies per customer designated premises at which the channel is terminated. This charge will apply even if the customer premises and the serving wire center are co-located in a Company building. The Local Channel rate element is further designated as to whether the premises is an End User or an IC terminal location. A Hub Termination charge applies in addition to each Digital Data Access (a.k.a. CCFLC SPA DS0 Digital Data) service Local Channel.

SECTION 7 - DEDICATED ACCESS SERVICES (Cont'd.)**7.1 General (Cont'd.)****7.1.2 Rate Categories (Cont'd.)****B. Interoffice Channel**

The Interoffice Channel rate category provides for the transmission facilities between the serving wire centers associated with two customer designated premises, between a serving wire center associated with a customer designated premises and a Company Hub or between two Company Hubs. Interoffice Channel is portrayed in mileage bands. There are two rates that apply for each band, i.e., a flat rate per band and a rate per mile.

C. Optional Features and Functions

The Optional Features and Functions rate category provides for optional features and functions which may be added to a Dedicated Access Service to improve its quality or utility to meet specific communications requirements. These are not necessarily identifiable with specific equipment, but rather represent the end result in terms of performance characteristics which may be obtained. These characteristics may be obtained by using various combinations of equipment. Although the equipment necessary to perform a specified function may be installed at various locations along the path of the service, they will be charged for as a single rate element.

Examples of Optional Features and Functions that are available include, but are not limited to, the following:

- Signaling Capability
- Hubbing Functions
- Conditioning
- Transfer Arrangements
- SPA Customer Reconfiguration
- Data Over Voice Channel

A Hub is a Company designated serving wire center at which bridging or channelization functions are performed. The bridging functions performed are to connect three or more customer designated premises in a multipoint arrangement. The channelization functions are to channelize analog or digital facilities to individual services requiring a lower capacity. National Exchange Carrier Association Tariff FCC No. 4 identifies serving wire centers, Hub locations and the type of bridging or channelization functions available. Descriptions for each of the available Optional Features and Functions are set forth in 7.2 following.

SECTION 7 - DEDICATED ACCESS SERVICES (Cont'd.)**7.1 General (Cont'd.)****7.1.2 Rate Categories (Cont'd.)**

- D. The SPA DS1 Shared Ring Area Connection provides for the connection at the designated premises where the customer gains access to SPA DS1 Shared Ring and transport to a designated junction in the same SPA DS1 Shared Ring area.
- E. The SPA DS1 Shared Ring Area Junction provides for the connection between the SPA DS1 Shared Ring network and (1) another customer designated premises, in the same SPA DS1 Shared Ring Area or (2) a serving wire center in the same SPA DS1 Shared Ring Area for connection to (a) DS1 Basic Channelization, SPA Customer Reconfiguration or DS3 service as provided in Section 7 of this Tariff, or (b) a SPA DS1 Shared Ring Area Junction of another SPA DS1 Shared Ring area in the same Metropolitan Area.

F. Self-healing Multi-nodal Alternate Route Topology Dedicated Ring**1. Customer Node**

Customer Nodes provide ring switching capabilities at customer designated locations other than Telephone Company Premises that are part of Dedicated Ring. This rate element offers OC-3, OC-3+, OC-12, OC-48, or OC-48+ network capacities. An OC-1 network capacity is available only in an Overlay Ring Arrangement riding the customer's host OC-12, OC-48, or OC-48+ Dedicated Ring installed on or after June 3, 1994. A summary of the channel interfaces available with each node are specified in 7.2.11A following.

2. Customer Channel Interface

A Customer Channel Interface provides DS1, DS3, STS-1 electrical channelization and/or OC-3 and/or OC-12 optical channelization that may take place at each Customer Node of Dedicated Ring. The Customer Channel Interface rate element applies for every interface capacity that originates or terminates at a Customer Node. A summary of the channel interfaces available with each node are specified in 7.2.16.A. following.

SECTION 7 - DEDICATED ACCESS SERVICES (Cont'd.)**7.1 General (Cont'd.)****7.1.2 Rate Categories (Cont'd.)****F. (Cont'd.)****3. Central Office Node**

Central Office Nodes provide ring switching capabilities at Telephone Company Central Offices that are a part of Dedicated Ring. This rate element offers OC-3, OC-3+, OC-12, OC-48, and OC-48+ network capacities. An OC-1 network capacity is available only in an Overlay Ring Arrangement riding the customer's host OC-12, OC-48 or OC-48+ Dedicated Ring installed on or after June 3, 1994. A summary of the channel interfaces available with each node are specified in 7.2.16.A. following.

4. Central Office Channel Interface

A Central Office Channel Interface provides DS1, DS3, STS-1 electrical channelization and/or OC-3 and/or OC-12 optical channelization that may take place at each Central Office Node located on Dedicated Ring. The Central Office Channel Interface rate element applies for every interface capacity that originates or terminates at a Central Office Node. A summary of the channel interfaces available with each node are specified in 7.2.16.A. following. Customers with DS3 or STS-1 interfaces at the Customer Node electing to connect with DS1 services at a Central Office Node, must obtain a 28-DS1 Channel System.

5. Local Channel

The Local Channel rate category provides for the communications path between a Customer Node and the serving wire center of the premises where located. Charges for Local Channels apply as described in A. preceding. It is available with all capacities of Dedicated Ring except OC-1.

6. Alternate Central Office Channel

The Alternate Central Office Channel provides for the communications path between a customer node and an alternate central office. It is available with all capacities of Dedicated Ring except OC-1.

SECTION 7 - DEDICATED ACCESS SERVICES (Cont'd.)**7.1 General (Cont'd.)****7.1.2 Rate Categories (Cont'd.)****F. (Cont'd.)****7. Interoffice Channel**

The Interoffice Channel provides for the communications path between directly connected Telephone Company central offices located on a Dedicated Ring. It is available with all capacities of Dedicated Ring except OC-1. This rate element does not apply where Central Office Nodes are adjacently connected in the same Central Office on the same Dedicated Ring for the purpose of providing additional node capacity.

8. Internodal Channel

The Internodal Channel provides for the communications path between two directly connected Customer Nodes of a given Dedicated Ring located (a) in the same Serving Wire Center area or (b) in the same Office Park/Campus Environment or contiguous property, located in contiguous Serving Wire Center areas. It is available with all capacities of Dedicated Ring except OC-1. This rate element does not apply where Customer Nodes are adjacently connected in the same building on the same Dedicated Ring for the purpose of providing additional node capacity.

9. Channel Interface Capacity Reallocation

Channel Interface Capacity Reallocation allows the customer to reallocate STS-1, DS-3 capacity interfaces at each node subsequent to the initial service installation.

SECTION 7 - DEDICATED ACCESS SERVICES (Cont'd.)**7.1 General (Cont'd.)****7.1.2 Rate Categories (Cont'd.)****G. Channels For Use With SPA Managed Shared Ring Network)**

1. SPA Managed Shared Ring Network provides a flat rate transport link between a customer designated premises where the network is accessed and a serving wire center of another customer designated premises in the same SPA Managed Shared Ring Network area. There are two service components - an Off-Net component and an On-Net component for DS1 and DS3 service.
2. An Off-Net DS1 or an Off-Net DS3 is one that originates at a customer location as DS1 (a.k.a. CCFLC SPA DS1) or DS3 (a.k.a. CCFLC SPA DS3) high capacity traffic (where that customer location is not a collection point for SPA Managed Shared Ring Network facilities) and is aggregated into SPA Managed Shared Ring Network at a serving wire center in the SPA Managed Shared Ring Network area. Standard tariff rates and charges for the DS1 (a.k.a. CCFLC SPA DS1) or DS3 (a.k.a. CCFLC SPA DS3) service apply for (1) the local channel from the Off-Net customer location to that premises' normal serving wire center and (2) an interoffice channel, if applicable, from the normal serving wire center to the connection point with SPA Managed Shared Ring Network. The connection point with SPA Managed Shared Ring Network is the wire center in the SPA Managed Shared Ring Network area nearest Off-Net location's normal serving wire center.
3. An On-Net DS1 or an On-Net DS3 is one that originates at a collection location that is served by SPA Managed Shared Ring Network facilities and is transported over SPA Managed Shared Ring Network facilities to the aggregation location.

H. Access Collocation Cross-Connects

Access Collocation Cross-Connects provide a means for customers to interconnect their Shared Use and Digital High Capacity (a.k.a. CCFLC SPA High Capacity) to Central Office Collocation arrangements within the same Central Office. Terms, conditions, and rates for Physical Access Collocation Cross-Connects and Virtual Access Collocation Cross-Connects are set forth in Section 13 of this Tariff.

SECTION 7 - DEDICATED ACCESS SERVICES (Cont'd.)

7.1 General (Cont'd.)

7.1.3 Service Configurations

There are three types of service configurations over which Dedicated Access Services are provided: two-point service, multipoint service and Dedicated Ring.

A change from one Dedicated Access service configuration to another will be treated as a discontinuance of existing service and an installation of a new service as set forth in 5.6 preceding, except for SPA Customer Reconfiguration reconfigurations.

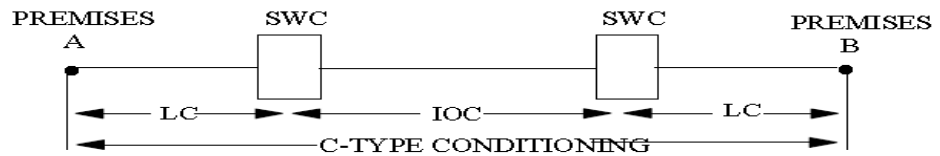
A. Two-Point Service

A two-point service connects two customer designated premises, either on a directly connected basis or through a hub where channelization functions are performed.

Applicable rate elements are:

- Local Channels
- Interoffice Channel (as applicable)
- Optional Features and Functions (when applicable)

The following diagram depicts a two-point Voice Grade (a.k.a. CCFLC SPA DS0 VG) service connecting two customer designated premises located 15 miles apart. The service is provided with C-Type Conditioning.



LC - Local Channel'

IOC - Interoffice Channel

SWC - Serving Wire Center

Applicable rate elements are:

- Local Channels (2 applicable)
- Interoffice Channel (mileage band Over 8 to 25 miles)
- Interoffice Channel (mileage band Over 8 to 25 miles)
- C-Type conditioning Optional Feature

Note 1: Two Local Channels are applicable.

SECTION 7 - DEDICATED ACCESS SERVICES (Cont'd.)**7.1 General (Cont'd.)****7.1.3 Service Configurations (Cont'd.)****B. Multipoint Service**

Multipoint service connects three or more designated premises through a Company Hub. There is no limitation on the number of mid-links available with multipoint service. However, when more than three mid-links are provided in tandem, the quality of the service may be degraded. A mid-link is a channel between hubs (i.e., bridging locations). Only certain types of Dedicated Access Service are provided as multipoint service. These are so designated in the Service Descriptions set forth in 7.2 following. Charges for Multipoint service will be billed to one customer.

Multipoint service utilizing a customized technical specifications package as set forth in 7.2 following will be provided when technically possible. If the Company determines that the requested characteristics for a multipoint service are not compatible, the customer will be advised and given the opportunity to change the order.

When ordering, the customer will specify the desired bridging Hub(s) selected from the Exchange Carrier Association Tariff F.C.C. No. 4. This tariff identifies the type(s) of bridging functions which are available and the serving wire centers at which they are available.

Applicable Rate Elements are:

- Local Channels (one per customer designated premises)
- Interoffice Channel (as applicable between each designated customer premises and the Hub and between Hubs) - Bridging
- Additional Optional Features (when applicable)

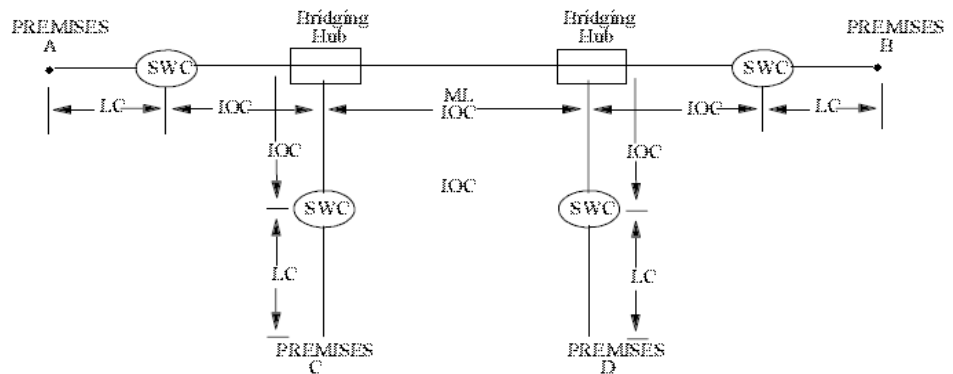
SECTION 7 - DEDICATED ACCESS SERVICES (Cont'd.)

7.1 General (Cont'd.)

7.1.3 Service Configurations (Cont'd.)

B. Multipoint Service (Cont'd.)

Example: Voice Grade (a.k.a. CCFLC SPA DS0 VG) multipoint connecting four customer premises via two customer specified bridging hubs.



IOC - Interoffice Channel
B - Bridging
SWC - Serving Wire Center
LC - Local Channel

Applicable rate elements are:

- Local Channels (4 applicable)
- Interoffice Channel (5 sections, each from appropriate mileage band)
- Bridging Optional Feature (6 applicable, i.e., each bridge port)

SECTION 7 - DEDICATED ACCESS SERVICES (Cont'd.)**7.1 General (Cont'd.)****7.1.3 Service Configurations (Cont'd.)****C. Dedicated Ring**

1. The Dedicated Ring configuration utilizes a multi-nodal ring architecture which is specified jointly by the Telephone Company and the customer. The minimum configuration provides dedicated DS3 and/or DS1 digital services and must include at least three nodes. The three nodes may all be Central Office Nodes in Telephone Company Central Offices, or the three nodes may be a Central Office Node in a Telephone Company Central Office, a Customer Node at a customer's designated location and the third node may be either a Central Office Node or a node at a another customer designated location. Additional nodes for either arrangement may be any combination thereof. The maximum number of nodes will be determined based on equipment capability. The nodes are connected by Dedicated Ring Local Channels, Alternate Central Office Channels, Interoffice Channels and Intermodal Channels as applicable. Dedicated Ring may be connected to other DS3/DS1 services only at Central Office Nodes. With OC-12 Dedicated Ring installed on or after June 3, 1994, and with OC-48 and OC-48+ Dedicated Ring the customer may request an OC-1 and/or OC-3 Overlay Ring Arrangement riding the customer's host OC-12, OC-48, or OC-48+ Dedicated Ring. With OC-48 Dedicated Ring, the customer may request an OC-3+ and/or OC-12 Overlay Ring Arrangement riding the customer's host OC-48 Dedicated Ring. In an Overlay Ring Arrangement, node and channel configuration requirements apply to the host Dedicated Ring.

SECTION 7 - DEDICATED ACCESS SERVICES (Cont'd.)**7.1 General (Cont'd.)****7.1.3 Service Configurations (Cont'd.)****C. Dedicated Ring****2. Applicable rate elements for this service are:**

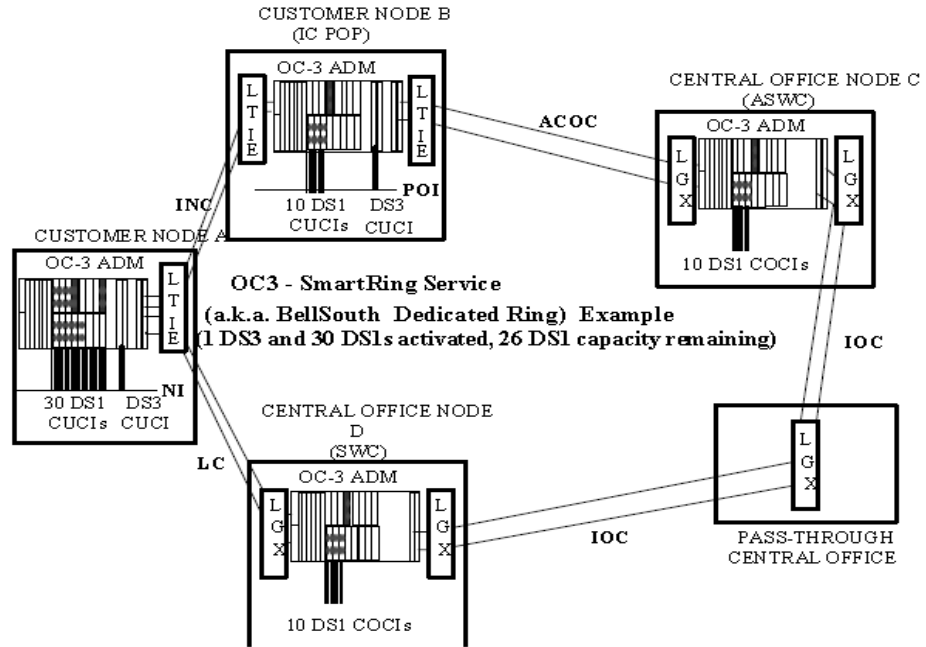
- a. Customer Node (at least one for configurations other than three Central Office Node arrangement)
- b. Customer Channel Interface (one for each originating/terminating activated DS1, DS3, STS-1, OC-3, and/or OC-12 for each Customer Node)
- c. Central Office Node (at least one for configurations other than three Central Office Node arrangement)
- d. Central Office Channel Interface (one for each originating/terminating activated DS1, DS3, STS-1, OC-3 and/or OC-12 for each Central Office Node or one for each 28 DS1 Channel System and associated DS1 Channel Interfaces for each activated DS3)
- e. Local Channel (at least one for each Customer Node which is directly connected to the serving wire center)
- f. Alternate Central Office Channel (at least one for each Customer Node which is directly connected to an Alternate Central Office)
- g. Intermodal Channel (one for each path between two directly connected customer nodes)
- h. Interoffice Channel (one for each path between each two directly connected Telephone Company Central Offices)
- i. Channel Interface Capacity Reallocation (one per node per occurrence)

SECTION 7 - DEDICATED ACCESS SERVICES (Cont'd.)

7.1 General (Cont'd.)

7.1.3 Service Configurations (Cont'd.)

C. Dedicated Ring (Cont'd.)



Example: SMARTRing[®] service (a.k.a. BellSouth Dedicated Ring) OC-3 capacity.

For this example the following rate elements are applicable:

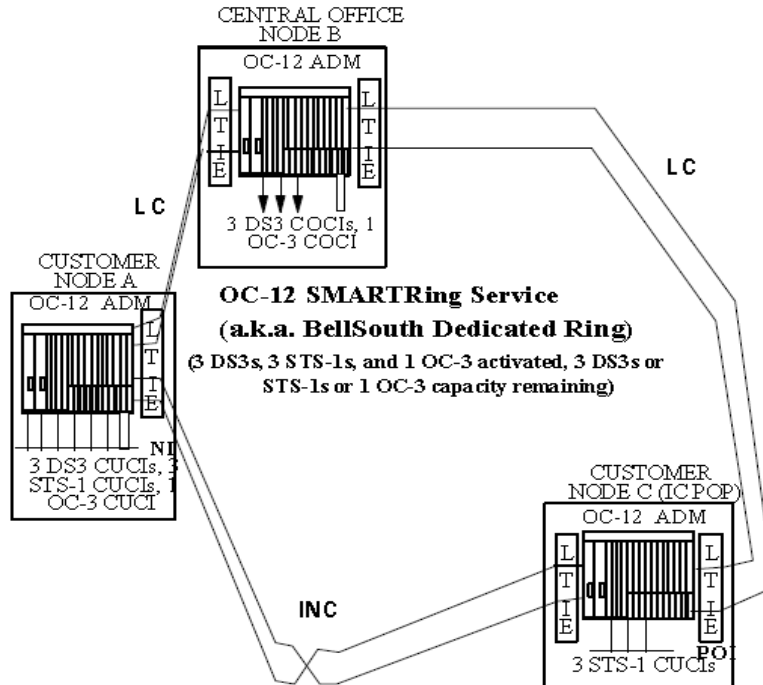
- 2 Customer Nodes
- 2 Central Office Nodes
- 1 Local Channel
- 1 Intermodal Channel
- 1 Alternate Central Office Channel
- 2 Interoffice Channels
- 2 DS3 Customer Channel Interfaces
- 40 DS1 Customer Channel Interfaces
- 20 DS1 Central Office Channel Interfaces

SECTION 7 - DEDICATED ACCESS SERVICES (Cont'd.)

7.1 General (Cont'd.)

7.1.3 Service Configurations (Cont'd.)

C. Dedicated Ring (Cont'd.)



Example: SMARTRing[®] service (a.k.a. BellSouth Dedicated Ring) OC-12 capacity.

For this example the following rate elements are applicable:

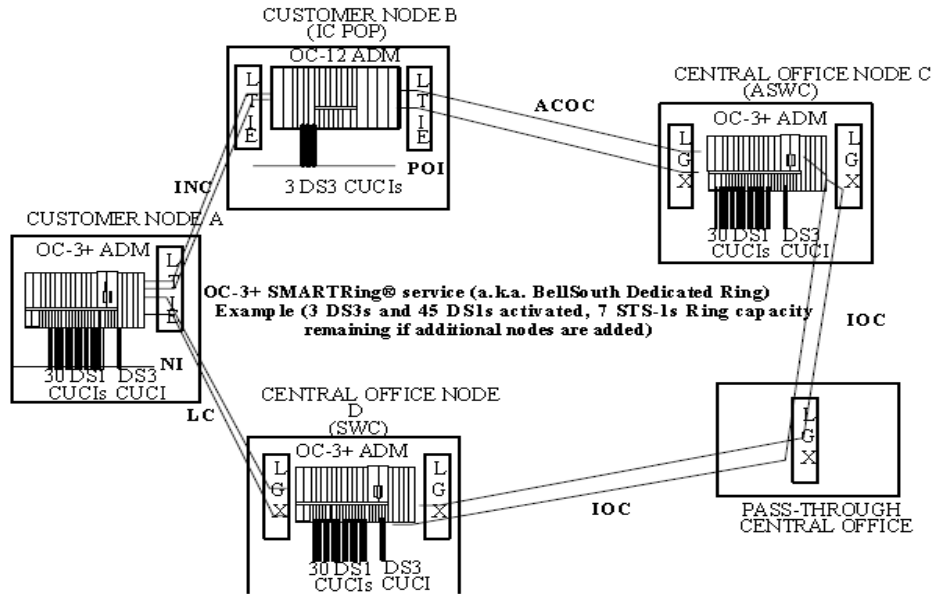
- 2 Customer Nodes
- 1 Central Office Nodes
- 2 Local Channels
- 1 Internodal Channel
- 3 DS3 Customer Channel Interfaces
- 3 DS3 Central Office Channel Interfaces
- 6 STS-1 Customer Channel Interfaces
- 1 OC-3 Customer Channel Interface
- 1 OC-3 Central Office Channel Interface

SECTION 7 - DEDICATED ACCESS SERVICES (Cont'd.)

7.1 General (Cont'd.)

7.1.3 Service Configurations (Cont'd.)

C. Dedicated Ring (Cont'd.)



Example: SMARTRing[®] service (a.k.a. BellSouth Dedicated Ring) OC-3+ capacity.

For this example the following rate elements are applicable:

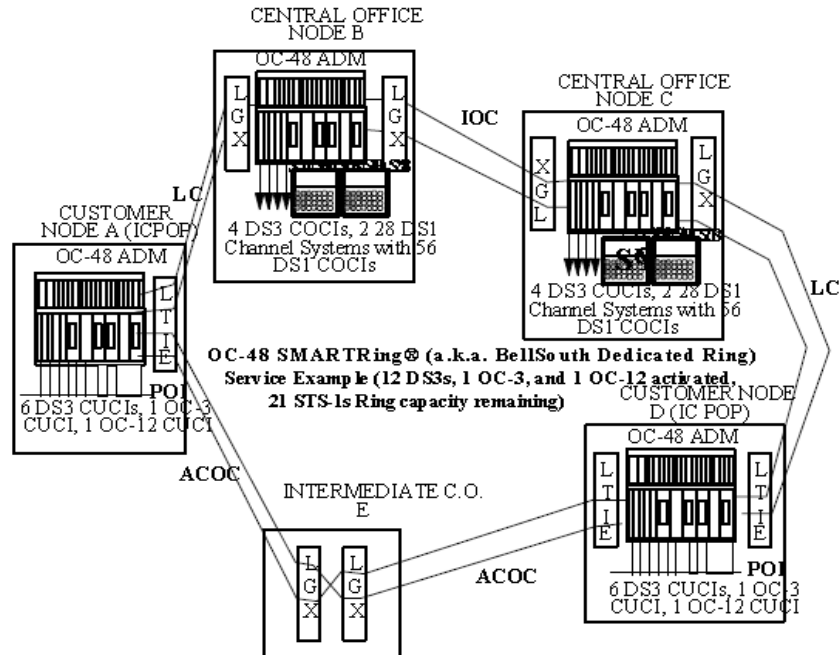
- 2 Customer Nodes
- 2 Central Office Nodes
- 1 Local Channel
- 1 Internodal Channel
- 1 Alternate Central Office Channel
- 2 Interoffice Channels
- 4 DS3 Customer Channel Interfaces
- 2 DS3 Central Office Channel Interfaces
- 30 DS1 Customer Channel Interfaces
- 60 DS1 Central Office Channel Interfaces

SECTION 7 - DEDICATED ACCESS SERVICES (Cont'd.)

7.1 General (Cont'd.)

7.1.3 Service Configurations (Cont'd.)

C. Dedicated Ring (Cont'd.)



Example: SMARTRing® service (a.k.a. BellSouth Dedicated Ring) OC-48 capacity.

For this example the following rate elements are applicable:

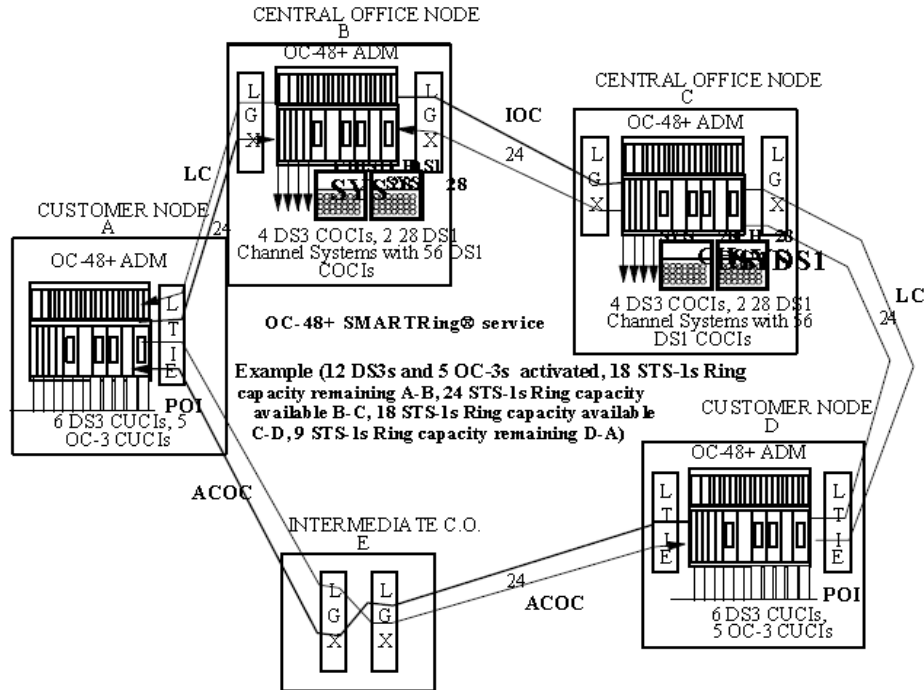
- 2 Customer Nodes
- 2 Central Office Nodes
- 2 Local Channels
- 2 Alternate Central Office Channels
- 1 Interoffice Channel
- 12 DS3 Customer Channel Interfaces
- 8 DS3 Central Office Channel Interfaces
- 4 28 DS1 Channel Systems (DS3)
- 112 DS1 Central Office Channel Interfaces
- 2 OC-3 Customer Channel Interfaces
- 2 OC-12 Customer Channel Interfaces

SECTION 7 - DEDICATED ACCESS SERVICES (Cont'd.)

7.1 General (Cont'd.)

7.1.3 Service Configurations (Cont'd.)

C. Dedicated Ring (Cont'd.)



Example: SMARTRing[®] service (a.k.a. BellSouth Dedicated Ring) service OC-48+ capacity.

For this example the following rate elements are applicable:

- 2 Customer Nodes
- 2 Central Office Nodes
- 2 Local Channels
- 2 Alternate Central Office Channels
- 1 Interoffice Channel
- 12 DS3 Customer Channel Interfaces
- 8 DS3 Central Office Channel Interfaces
- 4 28 DS1 Channel Systems (DS3)
- 112 DS1 Central Office Channel Interfaces
- 10 OC-3 Customer Channel Interfaces

SECTION 7 - DEDICATED ACCESS SERVICES (Cont'd.)**7.1 General (Cont'd.)****7.1.4 Alternate Use**

Alternate Use occurs when a service is arranged by the Company so that the End User can select different types of transmission at different times. The End User may use a service in any privately beneficial manner. However, where technical or engineering changes are required to effectuate an alternate use, the Company will make such special arrangements available on an individual case basis.

The arrangement required to transfer the service from one operation to the other (i.e., the transfer relay and control leads) will be rated and provided on an individual case basis and filed in Section 12, Specialized Service or Arrangements. The End User will pay the stated tariff rates for the Access Service rate elements for the service ordered (i.e., Local Channels, Interoffice Channel (as applicable) and Optional Features and Functions (if any)).

7.1.5 Special Facilities Routing

A customer may request that the facilities used to provide Dedicated Access Services be specially routed. The regulations, rates and charges for Special Facilities Routing (i.e., Avoidance, Diversity and Cable Only) are set forth in Section 11.

7.1.6 Design Layout Report

At the request of the customer, the Company will provide the make-up of the facilities and services provided under this Tariff as Dedicated Access Services to aid the customer in designing its overall service. This information will be provided in the form of a Design Layout Report. The Design Layout Report will be provided to the customer at no charge, and will be reissued whenever these facilities are materially changed.

SECTION 7 - DEDICATED ACCESS SERVICES (Cont'd.)**7.1 General (Cont'd.)****7.1.7 Acceptance Testing**

At no additional charge, the Company will, at the customer's request, cooperatively test, at the time of installation, the following parameters:

- A. For Voice Grade (a.k.a. CCFLC SPA DS0 VG) services, acceptance tests will include tests for loss, 3-tone slope, DC continuity, operational signaling, C-notched noise and C-message noise when these parameters are applicable and specified in the order for service. Additionally, for Voice Grade (a.k.a. CCFLC SPA DS0 VG) services, a balance (improved loss) test will be made if the customer has ordered the improved return loss optional feature.
- B. For digital services (i.e., Digital Data (a.k.a. CCFLC SPA DS0 Digital Data), and High Capacity (a.k.a. CCFLC SPA High Capacity)), acceptance tests will include tests for the parameters applicable to the service as specified in the order for service.

In addition to the preceding tests, Additional Cooperative Acceptance Testing for Voice Grade (a.k.a. CCFLC SPA DS0 VG) service to test other parameters, as described in 13.3.5.B., is available at the customer's request. All test results will be made available to the customer upon request.

- C. If acceptance tests are not started within 30 minutes after the scheduled appointment time for such tests, as negotiated between the Company and the IC, additional charges may apply to the IC, as set forth in Section 13.

7.1.8 Ordering Options and Conditions

The options and conditions for access orders are set forth in detail in Section 5 Also included in that section are other charges which may be associated with ordering Dedicated Access Services (e.g., Service Date Change Charges, Cancellation Charges, etc.).

7.1.9 Jurisdictional Report Requirements

An IC or End User must order Dedicated Access Services for either interstate or intrastate use. Dedicated Access Services connecting to an interstate facility, either directly or through a customer provided switch, must be ordered as interstate Special Access (a.k.a. CCFLC SPA) service in accordance with the applicable rules and regulations of the CCFLC Telecommunications, Inc. Tariff F.C.C. No. 1.

SECTION 7 - DEDICATED ACCESS SERVICES (Cont'd.)**7.2 Service Description**

For the purpose of ordering, there are six categories of Dedicated Access Services. These are:

1. Telegraph Grade (a.k.a. CCFLC SPA Telegraph) (TG)
2. Voice Grade (a.k.a. CCFLC SPA DS0 VG) (VG)
3. Digital Data Access (a.k.a. CCFLC SPA DS0 Digital Data) service (DDAS)
4. High Capacity (a.k.a. CCFLC SPA High Capacity) (HQ)
5. Self-Healing Rings (Dedicated Ring)
6. Derived Data Channel (a.k.a. CCFLC SPA Derived Data Channel) service

Each service consists of a basic channel to which a technical specifications package (predefined), channel interface(s) and, when desired, optional features and functions are added to construct the service desired. Each of the components of the service is described in this section. Terms, conditions, and rates for Physical Collocation Cross-Connects and Virtual Access Collocation Cross-Connects are set forth in Section 13 of this Tariff for those services that are permitted to connect directly to a carrier's collocation space.

The channel description specifies the characteristics of the basic channel and indicates whether the channel is provided between customer designated premises or between a customer designated premises and a Company hub where bridging and/or channelization functions are performed.

Information pertaining to the technical specifications packages indicates the transmission parameters that are available with each package. This information is displayed in a matrix found in each service description (e.g., VG matrix in 7.2.3.B. following) with the transmission parameters listed down the left side and the packages listed across the top. Each package is identified by a code, e.g., VGI. The first two letters of the code indicate the category of Dedicated Access Services to which the parameters are applicable. These two-letter codes are shown preceding in parentheses following the category of Dedicated Access Services. The number "1" following the two-letter code indicates the technical specifications package for a service. A numeric or alpha-numeric designation following the two letter code indicates the specific predefined package. When appropriate, the Technical Reference which contains detailed specifications for the parameters is shown following the matrix.

Channel interfaces at each point of termination on a two-point service may be symmetrical or asymmetrical. On a multipoint service they may also be symmetrical or asymmetrical. However, communications can only be provided between points of termination with compatible channel interfaces. Only certain channel interfaces are compatible. These are set forth in a combination format.

SECTION 7 - DEDICATED ACCESS SERVICES (Cont'd.)

7.2 Service Description (Cont'd.)

Only certain channel interface combinations are available with the predefined technical specifications packages. These are delineated in the Technical References set forth herein.

The optional features and functions available with each type of Dedicated Access Services are described in this section. The optional features and functions information also indicates with which technical specifications packages they are available. Such information is displayed in a matrix with the optional feature or function listed down the left side and the technical specifications package listed across the top.

The Company will maintain existing transmission specifications on services installed prior to the effective date of this Tariff, except that the existing services with performance specifications exceeding the standard listed in this provision will be maintained at the performance levels specified in this Tariff.

7.2.1 Telegraph Grade (a.k.a. CCFLC SPA Telegraph Service)

A. Basic Channel Description

A Telegraph Grade (a.k.a. CCFLC SPA Telegraph) channel is an unconditioned channel capable of transmitting binary signals at rates of 0-75 baud or 0-150 baud. This channel is furnished for half-duplex or duplex operation. Telegraph Grade (a.k.a. CCFLC SPA Telegraph) channels are provided between customer designated premises or between a customer designated premises and a Company Hub. Telegraph Grade service is not available for additions, new installations or moves of service.

B. Technical Specifications Packages

Parameter	TG	Matrix
Telegraph Distortion	1	2
	X	X

The technical specifications are delineated in Technical Reference TR-NPL-000336.

C. Channel Interfaces

Compatible channel interfaces are set forth in Technical Reference TR-NPL-000336.

SECTION 7 - DEDICATED ACCESS SERVICES (Cont'd.)

7.2 Service Description (Cont'd.)

7.2.1 Telegraph Grade (a.k.a. CCFLC SPA Telegraph Service (Cont'd.)

D. Optional Features and Functions

1. Telegraph Bridging (two-wire and four-wire)

The following table shows the technical specifications packages with which the optional features and functions are available.

-	Available with Technical Specifications Package TG	
-	1	2
Telegraph Bridging	X	X

7.2.2 Voice Grade (a.k.a. CCFLC SPA DS0 VG) Service

A. Basic Channel Description

A Voice Grade (a.k.a. CCFLC SPA DS0 VG) channel is a channel which provides voice frequency transmission capability in the normal frequency range of 300 to 3000 Hz and may be terminated two-wire or four-wire. Voice Grade (a.k.a. CCFLC SPA DS0 VG) channels are provided between customer designated premises or between a customer designated premises and a Company Hub.

Voice Grade (a.k.a. CCFLC SPA DS0 VG) channels are classified as Voice Grade/Voice or Voice Grade/Data depending on the suitability of the technical specification package requested by the customer. Voice Grade (a.k.a. CCFLC SPA DS0 VG) technical specification packages 1, 2, 3, 4, 5, 7, 8, 9, 11 and 12 are suitable for Voice Grade/Voice. Technical specification packages 6 and 10 are suitable for Voice Grade/Data service.

SECTION 7 - DEDICATED ACCESS SERVICES (Cont'd.)

7.2 Service Description (Cont'd.)

7.2.2 Voice Grade (a.k.a. CCFLC SPA DS0 VG) Service (Cont'd.)

B. Technical Specifications Packages

Parameter	VG Matrix											
	1	2	3	4	5	6	7	8	9	10	11	12
Attenuation Distortion	x	x	x	x	x	x	x	x	x	x	x	x
C-Message Noise	x	x	x	x	x	x	x	x	x	x	x	x
Echo Control	x	x	x		x		x	x			x	x
Envelope Delay Distortion						x	x	x	x	x	x	x
Frequency Shift						x	x	x	x	x	x	x
Impulse Noise					x	x	x	x	x	x	x	x
Intermodulation Distortion						x	x	x	x	x	x	x
Loss Deviation	x	x	x	x	x	x	x	x	x	x	x	x
Phase Jitter						x	x	x	x	x	x	
Signal-to-C Message Noise				x								
Signal-to-C Notch Noise					x	x	x	x	x	x		

The technical specifications for these parameters are delineated in Technical Reference TR-NPL-000335 and associated Addendum.

C. Channel Interfaces¹

The following channel interfaces for Voice Grade (a.k.a. CCFLC SPA DS0 VG) service do not require signaling capability: DA, DB, DD, DE, DS, NO, PR and TF.

Note 1: Channel Interface Codes are found in 7.3.1 following.

D. Optional Features and Functions

1. Central Office Bridging Capability

- a. Voice Bridging¹ (two-wire and four-wire)
- b. Data Bridging² (two-wire and four-wire)
- c. Telephoto Bridging³ (two-wire and four-wire)
- d. Dataphone Select-A-Station Bridging with sequential arrangement ports or addressable arrangement ports
- e. Telemetry and Alarm Bridging - Split Band, Active Bridging

SECTION 7 - DEDICATED ACCESS SERVICES (Cont'd.)

7.2 Service Description (Cont'd.)

7.2.2 Voice Grade (a.k.a. CCFLC SPA DS0 VG) Service (Cont'd.)

D. Optional Features and Functions (Cont'd.)

2. Conditioning

Conditioning provides more specific transmission characteristics for Voice Grade (a.k.a. CCFLC SPA DS0 VG) services. C-Type conditioning controls attenuation distortion and envelope delay distortion. Scaling Current helps maintain continuity on dry metallic loops.

In addition, a customer may desire that either the attenuation distortion or the envelope delay distortion, or both, be improved to more stringent specifications than those provided for C-Type conditioning. In such cases the customer has the option of ordering Improved Attenuation Distortion and/or Improved Envelope Delay Distortion.

Note 1: Voice Bridging is intended for use with VG2, 5, and 12, however, it may be used on VG6 and VG 10 at a customer's request.

Note 2: Data Bridging is intended for use with VG6 and VGIO, however, it may be used on VG2, 5, and 12 at a customer's request.

Note 3: Telephoto Bridging is intended for use on VG- 11.

SECTION 7 - DEDICATED ACCESS SERVICES (Cont'd.)

7.2 Service Description (Cont'd.)

7.2.2 Voice Grade (a.k.a. CCFLC SPA DS0 VG) Service (Cont'd.)

D. Optional Features and Functions (Cont'd.)

2. Conditioning

For two-point services, the parameters apply to each service. For multipoint services, the parameters apply to each mid link or end link. C-Type conditioning and D-Conditioning may be combined on the same service.

a. C-Type Conditioning

C-Type Conditioning is provided for the additional control of attenuation distortion and envelope delay distortion on data services. The attenuation distortion and envelope delay distortion specifications for C-Type Conditioning are:

Attenuation Distortion (Frequency Response) Relative to 1004 Hz

<u>Frequency Range (Hz)</u>	<u>Variation (dB)</u>
504-2804	-1.0 to + 3.0
304-3004	- 2.0 to + 6.0

Envelope Delay Distortion

<u>Frequency Range (Hz)</u>	<u>Variation (micro-seconds)</u>
1004-2604	Less Than 501
604-2604	Less Than 1501
504-2804	Less Than 3001

SECTION 7 - DEDICATED ACCESS SERVICES (Cont'd.)

7.2 Service Description (Cont'd.)

7.2.2 Voice Grade (a.k.a. CCFLC SPA DS0 VG) Service (Cont'd.)

D. Optional Features and Functions (Cont'd.)

2. Conditioning (Cont'd.)

b. Improved Attenuation Distortion

Improved attenuation distortion is provided for additional control of attenuation distortion. The improved attenuation distortion specifications are:

Attenuation Distortion (Frequency Response) Relative to 1004 Hz

<u>Frequency Range</u> Range (Hz)	<u>Variation (dB)</u> (M)
404-2804	-1.0 to +2.0
304-3004	-1.0 to +3.0
3004-3204	-2.0 to +6.0

c. Improved Envelope Delay Distortion

Improved envelope delay distortion is provided for additional control of envelope distortion. The improved envelope delay distortion specifications are:

Envelope Delay Distortion

<u>Frequency Range</u>	<u>Variation (dB)</u>
1001-2604	Less Than 101
604-2604	Less Than 301
504-2804	Less Than 3001

d. Sealing Current Conditioning

Sealing Current Conditioning is provided to help maintain continuity on dry metallic loops. It is usually associated with four-wire DA or NO type channel interfaces.

SECTION 7 - DEDICATED ACCESS SERVICES (Cont'd.)**7.2 Service Description (Cont'd.)****7.2.2 Voice Grade (a.k.a. CCFLC SPA DS0 VG) Service (Cont'd.)****D. Optional Features and Functions (Cont'd.)****3. Customer Specified Premises Receive Level**

This option allows the customer to specify the receive level at the Point of Termination. The level must be within a specific range of effective four-wire transmission. The ranges are delineated in Technical Reference TR-NPL-000335.

4. Echo Control**a. Improved Return Loss**

On Effective Two-Wire Transmission at Two-Wire Point of Termination: Provides for more stringent Echo Control specifications. In order for this option to be applicable, the transmission path must be four-wire at one POT and two-wire at the other POT. Placement of Company equipment may be required at the customer's premises with the two-wire POT. The Improved Return Loss parameters are delineated in Technical Reference TR-NPL-000335.

b. ELEPL 2 (Equal Level Echo Path Loss)

Specified at the Four-Wire Point of Termination and provides for more stringent Echo Control. In order for this option to be applicable, the interface must be two-wire at one Point of Termination (POT) and four-wire at the other POT. The ELEPL 2 parameters are delineated in Technical Reference TR-NPL-000335.

SECTION 7 - DEDICATED ACCESS SERVICES (Cont'd.)

7.2 Service Description (Cont'd.)

7.2.2 Voice Grade (a.k.a. CCFLC SPA DS0 VG) Service (Cont'd.)

D. Optional Features and Functions (Cont'd.)

5. D-Conditioning

D-Conditioning provides transmission characteristics suitable for data communications. Specifically, D-Conditioning provides for the control of Signal to C-Notched Noise Ratio and intermodulation distortion. It is available for two-point services or multipoint services. This option is available for use with Technical Specification Packages VG6, VG7 and VG10 on Two-Point Multipoint Services. (However, it is not recommended for use with Multipoint.)

The signal to C-Notched Noise Ratio and intermodulation distortion parameters for D-Conditioning are:

- Signal to C-Notched Noise Ratio is equal to or greater than 32dB
- Intermodulation distortion:
- Signal to second order modulation products (R2) is equal to or greater than 38dB - Signal to third order modulation products (R3) is equal to or greater than 42dB

When a service equipped with D-Conditioning and is used for voice communications, the quality of the voice transmission may not be satisfactory.

6. Telephoto Conditioning

Telephoto Conditioning provides transmission characteristics suitable for telephotographic communications. Specifically, Telephoto Conditioning is provided for the control of attenuation distortion and envelope delay distortion parameters for Telephoto Conditioning are:

<u>(2204 Hz Reference)</u>	<u>Attenuation Distortion</u>
<u>Frequency Range (Hz)</u>	<u>Variation(dB)</u>
304-3204	1.0 to + 2.5
504-3004	0.5 to + 1.5

SECTION 7 - DEDICATED ACCESS SERVICES (Cont'd.)

7.2 Service Description (Cont'd.)

7.2.2 Voice Grade (a.k.a. CCFLC SPA DS0 VG) Service (Cont'd.)

D. Optional Features and Functions (Cont'd.)

6. Telephoto Conditioning (Cont'd.)

<u>Frequency Range (Hz)</u>	<u>Envelope Delay Distortion Variation(dB)</u>
1004-2604	Less Than 11
804-2804	Less Than 18

7. Signaling Capability

Signaling Capability provides for the process by which one customer premises alerts another customer premises on the same service with which it wishes to communicate.

8. Improved Termination

The Improved Termination option provides a fixed 600 ohm impedance, a variable level range and simplex reversal, when applicable, at the point of termination. Company equipment is required at the customer's premises when this option is ordered. The Improved Termination parameters are delineated in Technical Reference TR-NPL-000335.

9. Simplex Reversal

The Simplex Reversal option physically turns over the simplex DC path presented at the four-wire point of termination when LO, LS, GO, GS, & DX signaling is provided at the point of termination.

10. SPA Customer Reconfiguration

SPA Customer Reconfiguration provides the customer the ability to monitor and reconfigure Voice Grade (a.k.a. CCFLC SPA DS0 VG) service provided by the Company. SPA Customer Reconfiguration is described in 7.4.12 following. Charges for this feature are contained in 7.5.16. following.

SECTION 7 - DEDICATED ACCESS SERVICES (Cont'd.)

7.2 Service Description (Cont'd.)

7.2.2 Voice Grade (a.k.a. CCFLC SPA DS0 VG) Service (Cont'd.)

D. Optional Features and Functions (Cont'd.)

The following table shows the technical specifications packages with which the optional features and functions are available.

	Available with Technical Specifications Package VG-											
	1	2	3	4	5	6	7	8	9	10	11	12
C-Type Conditioning					x	x	x	x	x	x		
Improved Attenuation Distortion					x	x	x	x	x	x		
Improved Envelope Delay Distortion					x	x	x	x	x	x		
Sealing Current Conditioning						x						
D-Conditioning						x	x			x		
Central Office Bridging												
Customer Specified Premises Receive Level		x			x	x				x	x	x
Echo Control Improved Return Loss		x	x				x	x	x			
ELEPL 2	x	x	x		x		x					
SPA Customer	x	x	x	x	x	x	x	x	x	x	x	
Reconfiguration Service												
Improved Termination	x	x	x	x	x	x	x	x	x	x	x	x
Simplex Reversal	x	x	x				x	x	x			
Signaling Capability	x	X	x				x	x	x			
Telephoto Conditioning										x		

E. Four-Wire/Two-Wire Conversions

When a customer requests that an effective four-wire channel be terminated with a two-wire channel interface at the customer designated premises, a four-wire to two-wire conversion of the four-wire local channel is required. The rate for the conversion is included as part of the basic Local Channel rate.

SECTION 7 - DEDICATED ACCESS SERVICES (Cont'd.)**7.2 Service Description (Cont'd.)****7.2.3 Digital Data Access (a.k.a. CCFLC SPA DS0 Digital Data) Service****A. Basic Channel Description**

A Digital Data (a.k.a. CCFLC SPA DS0 Digital Data) channel is a channel for four-wire transmission of synchronous serial data at the rate of 2.4, 4.8, 9.6, 19.2, 56, or 64 Kbps. The actual bit rate is a function of the channel interface and channel selected by the customer. The channel provides a synchronous service with timing provided by the Company through the Company's facilities to the customer in the received bit stream. Digital Data (a.k.a. CCFLC SPA DS0 Digital Data) channels are only available via Company designated Digital Data (a.k.a. CCFLC SPA DS0 Digital Data) Hubs and are provided between customer designated premises or between a customer designated premises and a Company Digital Data (a.k.a. CCFLC SPA DS0 Digital Data) Hub. A Hub Termination Charge applies per Digital Data (a.k.a. CCFLC SPA DS0 Digital Data) Local Channel. This rate element covers the Hub functions (e.g., Timing, Testing) for the service.

Secondary Channel Capability (SCC) is a derived companion digital transmission path that is independent of the primary data path and operates at a substantially lower bit rate. This derived channel allows the customer to perform network management functions during the normal operation of the network. This diagnostics channel utilizes a portion of a customer's previously unavailable data bit stream allowing for the ability to remotely control and test the network and peripheral devices without taking the network out of service. Special customer equipment is necessary to utilize the benefits of the Secondary Channel. Customers not wishing to utilize this capability will not be impacted. Due to transmission equipment restrictions, Secondary Channel cannot be provided on 56 Kbps circuits that require the installation of loop repeater equipment for provision of service. Secondary Channel Capability, also, cannot be provided on 64 Kbps circuits, since all of the available bit stream will be used by the customer. The customer may provide the Channel Service Unit-type equipment or other Network Channel Terminating Equipment associated with the Digital Data (a.k.a. CCFLC SPA DS0 Digital Data) channel at the customer premises.

SECTION 7 - DEDICATED ACCESS SERVICES (Cont'd.)

7.2 Service Description (Cont'd.)

7.2.3 Digital Data Access (a.k.a. CCFLC SPA DS0 Digital Data) Service (Cont'd.)

B. Technical Specifications Packages

<u>Parameter</u>	<u>DA Matrix</u>					
	<u>1</u>	<u>2</u>	<u>3</u>	<u>4</u>	<u>5</u>	<u>6</u>
Error-Free Seconds	X	X	X	X	X	X

The Company will provide a channel capable of meeting a monthly average performance equal to or greater than 99.875¹ percent error-free seconds' while the channel is in service, if it is measured through a CSU equivalent which is designed, manufactured, and maintained to conform with the interconnection specifications contained in Technical Reference PUB 62310.

C. Channel Interfaces

The following channel interfaces (CIS) define the bit rates that are available for a Digital Data (a.k.a. CCFLC SPA DS0 Digital Data) channel:

<u>CI</u>	<u>Bit Rate</u>
DU-24(S) ²	2.4 Kbps
DU48(S) ²	4.8 Kbps
DU-96(S) ²	9.6 Kbps
DU-19(S) ²	19.2 Kbps
DU-56(S) ²	56.0 Kbps
DU-64	64.0 Kbps

Note 1: This channel performance does not apply when the Data Over Voice Channel option is used.

Note 2: (S) is an additional CCFLC designation for use when the optional Secondary Channel feature is required.

SECTION 7 - DEDICATED ACCESS SERVICES (Cont'd.)**7.2 Service Description (Cont'd.)****7.2.3 Digital Data Access (a.k.a. CCFLC SPA DS0 Digital Data) Service (Cont'd.)****D. Optional Features and Functions**

1. Central Office Bridging Capability
2. Secondary Channel Capability
3. SPA Customer Reconfiguration

SPA Customer Reconfiguration provides the customer the ability to monitor and reconfigure Digital Data Access (a.k.a. CCFLC SPA DS0 Digital Data) service provided by the Company.

SPA Customer Reconfiguration is described in 7.4.12 following. Charges for this feature are contained in 7.5.16. following.

4. Data Over Voice Channel

This option provides a digital data channel derived from a two-wire local exchange facility that transmits voice and data signals simultaneously. The Data Over Voice Channel option may be used in lieu of a Digital Data (a.k.a. CCFLC SPA DS0 Digital Data) Local Channel. A Hub termination charge is applicable per Data Over Voice Channel in addition to interoffice channel charges as required. A Data Over Voice Channel is provided at the speed of 9.6 Kbps and is furnished between a customer designated premises and the customer's serving wire center. A Data Over Voice Channel is furnished over a customer's existing two-wire local exchange facility.

The Data Over Voice Channel is provided subject to the availability of appropriate network facilities and equipment and subject to the transmission limitations of the facilities and equipment used by the Company. Customer provided terminal equipment for the Data Over Voice Channel must be compatible with the Company provided terminating equipment at the central office.

SECTION 7 - DEDICATED ACCESS SERVICES (Cont'd.)

7.2 Service Description (Cont'd.)

7.2.3 Digital Data Access (a.k.a. CCFLC SPA DS0 Digital Data) Service (Cont'd.)

D. Optional Features and Functions (Cont'd.)

4. Data Over Voice Channel (Cont'd.)

The following table shows the technical specifications packages with which the optional features and functions are available.

	<u>Available with Technical Specifications Package DA-</u>					
	<u>1</u>	<u>2</u>	<u>3</u>	<u>4</u>	<u>5</u>	<u>6</u>
Central Office Bridging Capability	X	X	X	X	X	
Secondary Channel Capability	X	X	X	X	X	
SPA Customer Reconfiguration	X	X	X	X	X	X
Data Over Voice Channel			X			

The technical specifications are delineated in Technical Reference PUB 54010 for X.25 and PUB NPLOOOO 65 for X.75.

The following channel interface (CI) is available for a Data Over Voice Channel.

<u>CI</u>	<u>Bit Rate</u>
2DV5.BC	9.6 Kbps, Digital Data Over Voice

Compatible channel interface specifications are set forth in TR 73548.

SECTION 7 - DEDICATED ACCESS SERVICES (Cont'd.)

7.2 Service Description (Cont'd.)

7.2.4 High Capacity (a.k.a. CCFLC SPA High Capacity) Service

A. Basic Channel Description

A High Capacity (a.k.a. CCFLC SPA High Capacity) channel is a channel for the transmission of nominal 64.0 Kbps¹ or 1.544, 3.152, 6.312, or 44.736 Mbps isochronous serial data. The actual bit rate is a function of the channel interface selected by the customer. High Capacity (a.k.a. CCFLC SPA High Capacity) channels are provided between customer designated premises or between a customer designated premises and a Company Hub. The customer may provide the Network Channel Terminating Equipment associated with the High Capacity (a.k.a. CCFLC SPA High Capacity) channel at the customer's premises. The interim program for interconnection of such equipment is set forth in Technical Reference PUB AS No. 1.

B. Technical Specifications Packages

<u>Parameters</u>	<u>HC Matrix</u>				
	<u>0</u>	<u>1</u>	<u>1C</u>	<u>2</u>	<u>3</u>
Error-Free Seconds		X			

A channel with technical specifications package HC1 will be capable of an error-free second performance of 98.75 percent over a continuous 24 hour period as measured at the 1.544 Mbps rate through a CSU equivalent which is designed to conform with the interconnection specifications contained in Technical Reference PUB 62411.

C. Channel Interfaces

The following channel interfaces (CIs) define the bit rates that are available for a High Capacity (a.k.a. CCFLC SPA High Capacity) channel:

<u>CI</u>	<u>Bit Rate</u>
DS-15	1.544 Mbps (DS1)
DS-31	3.152 Mbps (DS1C)
DS-44	44.736 Mbps (DS3)
DS-63	6.312 Mbps (DS2)

Note 1: Available only as a cross connect (through connection) of two 2.4, 4.8, 9.6, 19.2, 56.0 or 64.0 Kbps channels of two 1.544 Mbps facilities to a Digital Data (a.k.a. CCFLC SPA DS0 Digital Data) Hub(s). The customer must provide system and channel assignment data.

SECTION 7 - DEDICATED ACCESS SERVICES (Cont'd.)**7.2 Service Description (Cont'd.)****7.2.4 High Capacity (a.k.a. CCFLC SPA High Capacity) Service (Cont'd.)****D. Optional Features and Functions****2. Channelization**

- a. **DS3 to DS1**
An arrangement that channelizes a 44.736 Mbps channel to 28 DS1 channels.
- b. **DS2 to DS1**
An arrangement that channelizes a 6.312 Mbps channel to four DS1 channels.
- c. **DS1C to DS1**
An arrangement that channelizes a 3.152 Mbps channel to two DS1 channels
- d. **DS1 Basic Channelization System**
An arrangement that channelizes a 1.544 Mbps channel to a maximum of twenty four 64 Kbps channels. A channel of this DS1 to the Hub can also be used for a Digital Data service. A DS1 Basic Channelization System requires a Central Office Channel Interface for each channel of lesser capacity.
- e. **DS0 Basic Channelization System**
An arrangement that channelizes a 64.0 Kbps channel to a sub speeds of up to twenty 2.4 Kbps, ten 4.8 Kbps, or five 9.6 Kbps channels. A DS0 Basic Channelization System requires a Central Office Channel Interface for each channel of lesser capacity.

SECTION 7 - DEDICATED ACCESS SERVICES (Cont'd.)

7.2 Service Description (Cont'd.)

7.2.4 High Capacity (a.k.a. CCFLC SPA High Capacity) Service (Cont'd.)

D. Optional Features and Functions (Cont'd.)

3. Channel Interface

- a. DS1 Level Central Office Channel Interface
An arrangement for the connection of DS1 (1.544 Mbps) channels of higher order DS3 (44.736 Mbps) services, in Company central office locations.
- b. DS1 Level Customer Channel Interface
An arrangement for the connection of DS1 (1.544 Mbps) channels to higher order DS3 (44.736 Mbps) services, at customer locations.
- c. DS0 Level Central Office Channel Interface
An arrangement for the connection of VG/DS0 (2.4 - 64.0 Kbps) channels to higher order DS1 (1.544 Mbps) services, in Company central office locations.
- d. Subrate Level Central Office Channel Interface

An arrangement for the connection of subrate (2.4 - 9.6 Kbps) channels to higher order DS0 (64.0 Kbps) services, in Company central office locations.

SECTION 7 - DEDICATED ACCESS SERVICES (Cont'd.)**7.2 Service Description (Cont'd.)****7.2.4 High Capacity (a.k.a. CCFLC SPA High Capacity) Service (Cont'd.)****D. Optional Features and Functions (Cont'd.)****4. Clear Channel Capability**

- a. Clear Channel Capability (CCC) is an arrangement that alters a DS1/1.544 Mbps signal with unconstrained information bits, to meet pulse density requirements outlined in TR-NPL-000054 and TA-TSY-000342. This will allow a customer to transport an all zero octet over a DS1/1.544 Mbps High Capacity (a.k.a. CCFLC SPA DS1) channel, providing an available combined maximum 1.536 Mbps data rate. This arrangement requires the customer signal at the channel interface to conform to Bipolar with 8 Zero Substitution (B8ZS) line code as described in TR-NPL-000054 and TA-TSY-000342.
- b. CCC is provided on DS1/1.544 Mbps High Capacity (a.k.a. CCFLC SPA DS1) channels between two customer designated premises, or between a customer designated premises and a Company Hub location, and is subject to the availability of facilities. This optional feature may be ordered at the same time the DS1/1.544 Mbps High Capacity (a.k.a. CCFLC SPA DS3) channel is ordered, or it may be ordered as an additional feature of an existing channel.
- c. When providing CCC via a DS3/44.736 Mbps High Capacity (a.k.a. CCFLC SPA DS3) channel, that DS3 channel must be designated, in Company records, as having Clear Channel Capability prior to the provisioning of a DS1/1.544 Mbps High Capacity (a.k.a. CCFLC SPA DS1) channel with CCC. Customers must agree to out-of-service periods required to add this feature to; 1) an existing DS1/1.544 Mbps High Capacity (a.k.a. CCFLC SPA DS3) channel or 2) a DS3/44.736 Mbps High Capacity (a.k.a. CCFLC SPA DS3) channel which transports a DS1/1.544 Mbps High Capacity (a.k.a. CCFLC SPA DS1) channel, to be optioned for B8ZS.

SECTION 7 - DEDICATED ACCESS SERVICES (Cont'd.)

7.2 Service Description (Cont'd.)

7.2.4 High Capacity (a.k.a. CCFLC SPA High Capacity) Service (Cont'd.)

D. Optional Features and Functions (Cont'd.)

5. SPA Customer Reconfiguration Service (a.k.a. CCFLC SPA Customer Reconfiguration)

SPA Customer Reconfiguration service (a.k.a. CCFLC SPA Customer Reconfiguration) provides the customer the ability to monitor and reconfigure High Capacity (a.k.a. CCFLC SPA High Capacity) service provided by the Company. SPA Customer Reconfiguration service (a.k.a. CCFLC SPA Customer Reconfiguration) is described in E7.4.12 following. Charges for this feature are contained in 7.5.16. following.

The following table shows the technical specifications packages with which the optional features and functions are available.

	<u>Available With Technical Specifications Package HC-</u>				
	<u>0</u>	<u>1</u>	<u>1C</u>	<u>2</u>	<u>3</u>
Channelization:					
DS3 to DS I					X
DS2 to DS1				X	
DS1C to DS1			X		
DS1 Basic Channelization System		X			
DS0 Basic Channelization System ¹	X				
Clear Channel Capability		X			
SPA Customer Reconfiguration Service	X	X			

Note 1: Available only on 64 Kbps DDAS (a.k.a. CCFLC SPA DS0 Digital Data) service or on a DS1 (1.544 Mbps) channel with Clear Channel Capability to a Company Hub.

SECTION 7 - DEDICATED ACCESS SERVICES (Cont'd.)**7.2 Service Description (Cont'd.)****7.2.5 SPA Shared Ring****A. Service Description**

SPA Shared Ring is a shared high capacity network service capable of providing a 1.544 Mbps transport link with high performance and reliability parameters and a level of redundancy/diversity designed to limit a single event from interrupting service. This service is available only in those locations within specified SPA Shared Ring Areas which the Company determines can be incorporated into the SPA Shared Ring network enabling the Company to provide the specified level of performance and reliability. For locations where a customer requests SPA Shared Ring and facilities are not available, special construction charges will apply as set forth in Section 14 following. SPA Shared Ring Areas are identified in the NATIONAL EXCHANGE CARRIER (NECA) TARIFF F.C.C. No.4.

SPA Shared Ring provides a transport link between a customer designated premises where the network is accessed and (1) another customer designated premises, in the same SPA Shared Ring Area or (2) a serving wire center in the same SPA Shared Ring Area for connection to (a) DS1 Basic Channelization, SPA Customer Reconfiguration service (a.k.a. CCFLC SPA Customer Reconfiguration), Dedicated Ring, or DS3 service as provided in Section 7 of this Tariff or (b) a SPA Shared Ring Area Junction of another SPA Shared Ring area in the same Metropolitan Area.

SECTION 7 - DEDICATED ACCESS SERVICES (Cont'd.)**7.2 Service Description (Cont'd.)****7.2.5 SPA Shared Ring (Cont'd.)****A. Service Description (Cont'd.)**

The technical specifications and standard network interfaces for SPA Shared Ring are contained in Technical Reference Publication 73575.

DS1s carried over Synchronous Optical Network (SONET) transport systems can incur phase transients as a result of pointer adjustments. In some instances timing problems could surface in customer's equipment with Stratum 3 or better clocks. This may result in the customer's clock disqualifying its synchronization reference, generating an alarm and/or selecting an alternate reference or entering holdover. To insure proper operation, channelized DS1 circuits must comply with Bellcore Technical Advisory, TA-NWT-000436, Digital Synchronization Network Plan, and ANSI T1.101-1994. When timing is taken from a Company transported DS1, the customer's equipment must be capable of accommodating SONET pointer adjustments.

B. Performance Objectives

ANSI T1.403-1989 Extended Super Frame Format (ESF) is required on all circuits in order to assure performance objectives. The performance objectives for SPA Shared Ring are as follows:

1. Meet or exceed 99.99 percent Circuit Availability on a monthly basis. This objective applies except where a customer's equipment is disconnected and/or inoperative.
2. Meet or exceed 99.95 percent Error Free Seconds on a monthly basis.
3. Meet or exceed .009 percent Severely Errored Seconds on a monthly basis.

C. Performance Guarantee

The performance guarantee for SPA Shared Ring is as follows:

1. Service Continuity - in the event of primary facility failure, service is guaranteed to switch to an alternate facility path in sixty (60) seconds or less. Failure to meet this guarantee will result in a credit as described in 2.4.4.B.7. preceding, where the trouble is in the network.

SECTION 7 - DEDICATED ACCESS SERVICES (Cont'd.)**7.2 Service Description (Cont'd.)****7.2.6 Channels For Use With SPA Managed Shared Ring Network**

- A. This tariff section provides for intrastate service components that are for use with a customer's interstate SPA Managed Shared Ring Network service arrangement.
- B. SPA Managed Shared Ring Network is a managed high capacity shared network service that is offered in CCFLC Telecommunication Inc.'s F.C.C. Tariff No. 1. The service is available to customer's that aggregate 337 or greater equivalent DS1s at a location. A DS3 is considered as 28 equivalent DS1s. The service is capable of providing a transport link with high performance and reliability parameters and a level of redundancy/diversity designed to limit a single event from interrupting service. The service is based on fiber facilities configured in ring architectures and is available only in those locations within specified metropolitan areas SPA Managed Shared Ring Network areas which the Company determines can be incorporated into the SPA Managed Shared Ring Network enabling the Company to provide the specified level of performance and reliability. SPA Managed Shared Ring Network areas are identified in the NATIONAL EXCHANGE CARRIER ASSOCIATION TARIFF, F.C.C. NO. 4. For SPA Managed Shared Ring Network, the management function provided with the service is such that the Company will control and design the facility assignment, routing and hubbing of services to the customer's primary and secondary aggregation locations. The customer may not specify facility routing and selection of services with SPA Managed Shared Ring Network as they do with regular high capacity (a.k.a. CCFLC SPA High Capacity) services.
- C. Within the wire center serving areas that comprise a SPA Managed Shared Ring Network area, the customer's high capacity special access (a.k.a. CCFLC SPA) traffic will be collected and managed for delivery to a customer's aggregation location. The traffic will be collected and managed as an On-Net or Off-Net DS1 SPA Managed Shared Ring Network channel, or an On-Net or Off-Net DS3 SPA Managed Shared Ring Network channel, as applicable.

SECTION 7 - DEDICATED ACCESS SERVICES (Cont'd.)

7.2 Service Description (Cont'd.)

7.2.7 Derived Data Channel (a.k.a. CCFLC SPA Derived Data Channel) Service

A. Basic Service Description

Derived Data Channel (a.k.a. CCFLC SPA Derived Data Channel) service (DDCS) provides full-duplex asynchronous or synchronous data transmission utilizing data over voice and subrate multiplexing technology. DDCS (a.k.a. CCFLC SPA Derived Data Channel) provides simultaneous data and voice transmissions over the customer's existing two-wire local exchange facility. A derived data channel is provided between the customer's premises and the customer's serving wire center.

At the customer's serving wire center the data/voice terminating equipment provides subrate multiplexing into a standard DS0-B interface for a group composed of a maximum of twenty derived data channels. The customer's derived data channel must be associated with a DS0-B interface. This association requires coordination between the subscriber of the derived data channel and the subscriber of the DS0-13 interface. An interoffice channel is provided for interconnection of the subrate multiplexed DS0-13 interface to the serving wire center of a customer designated premises.

DDCS (a.k.a. CCFLC SPA Derived Data Channel) is provided subject to the availability of appropriate network facilities and equipment and subject to the transmission limitations of the facilities and equipment used by the Company.

The customer will be responsible for selecting his own Customer Premises Equipment (CPE). CPE must be compatible with the Company provided terminating equipment at the serving wire center.

B. Channel Interfaces

The following channel interface (CI) is available for DDCS (a.k.a. CCFLC SPA Derived Data Channel).

<u>CI</u>	<u>Bit Rate</u>
2DV5.BA	2.4 Kbps, Digital Data Over Voice

SECTION 7 - DEDICATED ACCESS SERVICES (Cont'd.)**7.2 Service Description (Cont'd.)****7.2.8 Dedicated Ring****A. Self-healing Multi-nodal Alternate Route Topology Ring**

1. Dedicated Ring is a dedicated, high capacity, network designed to provide increased reliability and functionality via a self-healing ring topology between multiple customer designated locations and Telephone Company Central Offices where facilities can be made available as determined by the Company. This network consists of fiber routed through local, alternate central office, intermodal and/or interoffice channel facilities that transmit DS 1, DS3, STS-1, OC-3, OC-12, OC-48 and/or 1000 Mbps channel services simultaneously over primary and alternate paths between customer designated locations and Telephone Company Central Offices. This ring topology will continually monitor DS 1, DS3, STS- 1, OC-3, OC-12, OC-48 and/or 1000 Mbps service quality, detect any failure within the system, and automatically self-heal around a point of failure to ensure the flow of DS1, DS3, STS-1, OC-3, OC-12, OC-48and/or 1000Mbps services between locations within the network.
2. Dedicated Ring is available at OC-1, OC-3, OC-3+ OC-12, OC-48, OC-48+, OC-192 and OC-192+ capacities.
3. OC-1 Dedicated Ring is available only in Overlay Ring Arrangements riding the customer's host OC-12, OC-48, or OC-48+ Dedicated Ring. The OC-1 Dedicated Ring shares the transport of its host Dedicated Ring. OC-1 Dedicated Ring provides an equivalent capacity of 28 DS Is or one STS-1. When an OC-1 Dedicated Ring overlays an OC-12, OC-48, or OC-48+ Dedicated Ring, an OC-1 channel interface is required.
4. OC-3 Dedicated Ring is available as an individual service or in an Overlay Ring Arrangement riding the customer's host OC-12, OC-48, OC-48+, OC-192 or OC-192+ Dedicated Ring. OC-3 Dedicated Ring provides an equivalent capacity of 3 DS3s, or any combination thereof not to exceed an OC-3 capacity.

Channel Interface Reallocation allows the customer to reallocate STS-1, DS3 and/or DS1 capacities to OC-3 nodes subsequent to the initial configuration of an OC-3 ring.

SECTION 7 - DEDICATED ACCESS SERVICES (Cont'd.)**7.2 Service Description (Cont'd.)****7.2.8 Dedicated Ring (Cont'd.)****A. Self-healing Multi-nodal Alternate Route Topology Ring (Cont'd.)**

5. OC-3+ Dedicated Ring is available as an individual service, or in combination with OC-12 Dedicated Ring, or in an Overlay Ring Arrangement riding the customer's host OC-48, OC-192 or OC-192+ Dedicated Ring. OC-3+ Dedicated Ring provides an equivalent OC-3 capacity, not to exceed 3 DS3s at each node, with a maximum ring capacity of 12 DS3s, not to exceed an OC-12 ring capacity.
6. When a customer orders OC-3+ Dedicated Ring in combination with OC-12 Dedicated Ring, capacity and channel interface availability at each Customer Node and Central Office Node location is determined by the size node ordered by the customer.
7. OC-12 Dedicated Ring is available as an individual service, or in combination with OC-3+ Dedicated Ring, or in an Overlay Ring Arrangement riding the customer's host OC-48, OC-48+, OC-192 or OC-192+ Dedicated Ring. OC-12 Dedicated Ring provides an equivalent capacity of 12 DS3s.
8. OC-48 Dedicated Ring is available as an individual service, or in an Overlay Ring Arrangement riding the customer's host OC-192 or OC-192+ Dedicated Ring, or with overlaying rings in capacities of OC-1, OC-3, OC-3+ and/or OC-12. OC-48 Dedicated Ring provides an equivalent capacity of 48 DS3s.
9. OC-48+ Dedicated Ring is available as an individual bi-directional service, or in an Overlay Ring Arrangement riding the customer's host OC-192 Dedicated Ring, or with overlaying rings in capacities of OC-1, and/or OC-3. It provides equivalent capacity of 24 DS3s between consecutive node locations on the ring. The maximum capacity of the OC-48+ Dedicated Ring is determined by the number of Customer and Central Office nodes on the ring.
10. OC-192 Dedicated Ring is available as an individual service, or with overlaying rings in capacities of OC-3, OC-3+, OC-12, OC-48 and /or OC-48+. OC-192 Dedicated Ring provides an equivalent capacity of 192 DS3s.

SECTION 7 - DEDICATED ACCESS SERVICES (Cont'd.)

7.2 Service Description (Cont'd.)

7.2.8 Dedicated Ring (Cont'd.)

A. Self-healing Multi-nodal Alternate Route Topology Ring (Cont'd.)

11. OC- 192+ Dedicated Ring is available as an individual bi-directional service, or with overlaying rings in capacities of OC-3, OC-3+, OC-12 and /or OC-48. It provides equivalent capacity of 96 DS3s between consecutive node locations on the ring. The maximum capacity of the OC-192+ Dedicated Ring is determined by the number of Customer and Central Office nodes on the ring.

12. Dedicated Ring Channel Interfaces are available as follows:

Channel Interfaces	Nodes							
	OC-1	OC-3	OC-3+	OC-12	OC-48	OC-48+	OC-192	OC-192+
DS1	Yes	Yes	Yes	No ¹	No ¹	No ¹	No ¹	No ¹
DS3	No	Yes	Yes	Yes	Yes	Yes	Yes	Yes
STS-1	Yes	Yes	Yes	Yes	Yes	Yes	Yes	Yes
OC-1 ²	No	No	No	Yes	Yes	Yes	Yes	Yes
OC-3	No	No	No	Yes	Yes	Yes	Yes	Yes
OC-12	No	No	No	No	Yes	Yes	Yes	Yes
28 DS1 Channel System (DS3)	No	Yes	Yes	Yes	Yes	Yes	Yes	Yes
28 DS1 Channel System (STS-1)	No	Yes	Yes	Yes	Yes	Yes	Yes	Yes
1000 Mbps	No	No	No	No	Yes ³	Yes ³	Yes	Yes
100 Mbps CCFLC Metro Ethernet Backbone ⁴	No	No	No	Yes	Yes	Yes	Yes	Yes
1000 Mbps CCFLC Metro Ethernet Backbone	No	No	No	No	Yes	Yes	Yes	Yes
Fractional 1000 Mbps at 150 Mbps, 300 Mbps or 450 Mbps CCFLC Metro Ethernet Backbone ⁵	No	Yes	Yes	Yes	Yes	Yes	Yes	Yes
Fractional 1000 Mbps at 600 Mbps CCFLC Metro Ethernet Backbone ⁵	No	No	No	No	Yes	Yes	Yes	Yes

Note 1: DS1 interfaces are available via OC-1, OC-3, and OC-3+ Overlay Ring Arrangements or 28 DS1 Channel Systems only.

Note 2: OC-1 interfaces are only available for use with OC-1 Overlay Ring Arrangements.

Note 3: 1000 Mbps interfaces are only available for rings installed after October 30, 2003. 1000 Mbps transport channel interfaces do not contain any monitoring capability above the physical layer.

Note 4: 100 Mbps CCFLC Metro Ethernet Backbone interfaces are further defined regarding the number of STS-1s utilized in conjunction with the interface.

Note 5: Interfaces are available based on equipment capability.

SECTION 7 - DEDICATED ACCESS SERVICES (Cont'd.)

7.2 Service Description (Cont'd.)

7.2.8 Dedicated Ring (Cont'd.)

A. Self-healing Multi-nodal Alternate Route Topology Ring (Cont'd.)

12. (Cont'd.)

	<u>Overlaying</u>		<u>Host</u>		
	<u>Dedicated Ring</u>		<u>Dedicated Ring</u>		
	<u>OC-12</u>	<u>OC-48</u>	<u>OC-48+</u>	<u>OC-192</u>	<u>OC-192+</u>
OC-1	X	X	X	X	X
OC-3	X	X	X	X	X
OC-3+		X	X	X	X
OC-12		X	X	X	X
OC-48				X	X
OC-48+					X

13. Dedicated Ring is connectible at Telephone Company Central Offices to any 44.736 Mbps and/or 1.544 Mbps services as provided in Section 7. of this Tariff. Rates and charges for such other services are as set forth in the applicable sections of this tariff for such other services.
14. Shared Network Arrangements will not be provided with Dedicated Ring at the ring level. Shared Network Arrangements as defined in 2.6 preceding apply to DS1 channel interfaces only. The customer must provide suitable floor space, controlled environment, and source of non-switched suitable power to support this service.
15. Where the customer provides two separate entrance facility cable routes for Dedicated Ring, the primary and alternate entrance facilities will be separate and will enter the customer node over such different routes. When the customer requests a connection at a Customer Node via two local channels and Telephone Company facilities do not exist for the second Local Channel, the Telephone Company may provide an equivalent second Local Channel via an existing alternate route. When facilities become available for the second Local Channel, the Telephone Company may rearrange the alternate route at any time.

SECTION 7 - DEDICATED ACCESS SERVICES (Cont'd.)**7.2 Service Description (Cont'd.)****7.2.8 Dedicated Ring (Cont'd.)****A. Self-healing Multi-nodal Alternate Route Topology Ring (Cont'd.)**

16. When the distance between nodes on a Dedicated Ring is such that optical signal regeneration is required, then regeneration equipment will be provided at no additional charge to the customer to assure proper operation of the service. In some cases regeneration will be provided via SONET Add/Drop equipment called a Regeneration Node. A Regeneration Node does not contain the capability to add or drop services. Accordingly, SPA Customer Reconfiguration Customer Network Management may not be ordered with a Regeneration Node, however, a customer may monitor a Regeneration Node via the SPA Customer Reconfiguration Customer Network Management Surveillance option when a customer has established surveillance for a ring. Regeneration Node Surveillance is provided as a part of the charges associated with the customer's ring level SPA Customer Reconfiguration Customer Network Management Surveillance. Regeneration Node and Regeneration Node Surveillance, as applicable, will appear on a customer's records as non-rated USOC(s).

SECTION 7 - DEDICATED ACCESS SERVICES (Cont'd.)

7.2 Service Description (Cont'd.)

7.2.8 Dedicated Ring (Cont'd.)

A. Self-healing Multi-nodal Alternate Route Topology Ring (Cont'd.)

17. Effective February 16, 2007, Shared Node Interconnection is available, based on equipment capability, whereby two Dedicated Ring service arrangements belonging to the same customer may share a node in a central office that is common to both rings. Shared Node Interconnection capability is available based on equipment capability. With Shared Node Interconnection, one of the rings (i.e., the larger capacity ring) is considered the Primary Ring and the other ring is considered the Secondary Ring. Primary Rings may be an OC-12, OC-48 or an OC-192 ring. A Secondary Ring is always a lower capacity ring than that of the Primary Ring. The various Shared Node Interconnection service arrangements that are available are as follows:

<u>Shared Node Interconnection Primary Ring Capacity</u>	<u>Shared Node Interconnection Secondary Ring Capacity Available For Use With Primary Rings</u>			
	<u>OC-3</u>	<u>OC-12</u>	<u>OC-48</u>	<u>OC-48+</u>
OC-12	x			
OC-48	x	x		
OC-192	x	x	x	x

With Shared Node Interconnection, the Primary Ring shall have a Central Office Node and the Secondary Ring shall have a Shared Node Interconnection Central Office Node in the central office associated with the ring interconnection. For the Secondary Ring, a Shared Node Interconnection Central Office Node is considered toward meeting the three node minimum requirement for the Secondary Ring. This shared node will utilize capacity of the Primary Ring node, based on the size of the Secondary Ring, and will count toward the capacity the customer has available at the location. Should the customer require more capacity at a shared node central office location than is available on the Primary Ring node, then additional billable service components will be required. Only one Shared Node Interconnection arrangement is available for an individual Central Office Node on a Primary Ring.

SECTION 7 - DEDICATED ACCESS SERVICES (Cont'd.)**7.2 Service Description (Cont'd.)****7.2.8 Dedicated Ring****B. Technical Specifications Packages**

1. The compatibility requirements, technical specifications, and generic requirements for Dedicated Ring terminated at the customers designated locations are referenced in Technical Reference ANSI T1.404-1994, ANSI T1.403-1989 and ANSI T1.105-199 1.
2. DS3 interface combinations and technical specifications are referenced in Bellcore TR-INS-000342.
3. DS1 interface combinations and technical specifications are referenced in Bellcore TR-NPL-000054.
4. STS-1, OC-1, OC-3, and OC-12 interface combinations and technical specifications are referenced in CCFLC Telecommunications, Inc. Technical Reference TR-73582.
5. These self-healing multi-nodal DS3 high capacity (a.k.a. CCFLC SPA DS3) service channels have a long term performance objective of 99.5 percent error-free seconds and a severely errored second (SES) objective of less than 0.009 percent SES when the circuit is available. Self-healing multi-nodal DS1 high capacity (a.k.a. CCFLC SPA DS1) service channels have a long term performance objective of 99.95 percent error-free seconds.

SECTION 7 - DEDICATED ACCESS SERVICES (Cont'd.)**7.2 Service Description (Cont'd.)****7.2.9 CCFLC Metro Ethernet Service**

- A. CCFLC Metro Ethernet service is a high-speed packet transport that is based on Ethernet transmission parameters. CCFLC Metro Ethernet service provides various transport capabilities that range from 2 Mbps through 1 Gbps with capabilities for basic, premium, and virtual arrangements that may be used to meet individual customer needs.
- B. CCFLC Metro Ethernet service signals meet IEEE 802.3, 802.3u, or 802.3z standards. CCFLC Metro Ethernet service also uses 802.1Q VLAN tagging and stacking for certain service configurations contained herein. Technical requirements for interfaces with customer premises equipment (CPE) are contained in ANSMEEE 802.3-2002 Specifications.
- C. CCFLC Metro Ethernet service interface specifications are set forth in CCFLC Technical Reference TR-73632. Technical limitations associated with provisioning 2 Mbps, 4 Mbps and 8 Mbps CCFLC Metro Ethernet Connections based upon distance from the customer's premises to serving wire center and equipment configurations exist and are also set forth in TR-73632.
- D. The rates and charges set forth in E7.5.22 following for CCFLC Metro Ethernet service provide for the furnishing of service in certain metropolitan areas where suitable Company facilities are available. In locations where CCFLC Metro Ethernet service is not available, special construction charges may apply.
- E. A LAN (local area network) is a communications network spanning a limited geographical area. A LAN connects computers and other peripheral equipment for data communications purposes within a building or campus environment.
- F. A VLAN (virtual local area network) is a logical grouping of Metro Ethernet connections that allows data transmission between such connections to occur as if all connections are on the same physical LAN.
- G. Metro Ethernet is a service where Local Area Networks (LANs) send bi-directional Ethernet traffic to other LANs on an Ethernet Wide Area Network (WAN). Ethernet is one of the most widely deployed LAN/WAN standards. CCFLC Metro Ethernet service supports IEEE Standard 802.3, 802.3u and 802.3z transmission standards.

SECTION 7 - DEDICATED ACCESS SERVICES (Cont'd.)**7.2 Service Description (Cont'd.)****7.2.9 CCFLC Metro Ethernet Service (Cont'd.)**

- H. A Metro Ethernet Customer Network is defined as the set of interconnected Metro Ethernet connections assigned to the same VLAN within the CCFLC core network. Premium Connections that include the Q-Forwarding optional feature described in O. following and Virtual Connections that include the VLAN Aggregation optional feature described in P. following may be part of more than one Metro Ethernet Customer Network.
- I. A Basic CCFLC Metro Ethernet service Connection provides 2 Mbps, 4 Mbps, 8 Mbps, 10 Mbps, 100 Mbps and 1 Gbps Ethernet capabilities that are a part of a CCFLC Metro Ethernet service network within a metropolitan area. Basic CCFLC Metro Ethernet service is a best effort service with service capabilities that are affected by overall traffic on the Basic CCFLC Metro Ethernet service network and is suitable for data transmission only.
- A Basic CCFLC Metro Ethernet service connection operating at any of these speeds is capable of interconnecting with other Basic CCFLC Metro Ethernet service Connections that are operating at any of these speeds in the same metropolitan area.
- A Basic CCFLC Metro Ethernet service connection provides data channel transport that connects customer premises' that are 10 miles or less in distance from the CCFLC Metro Ethernet service wire center associated with the Basic CCFLC Metro Ethernet service Connection. Customer locations greater than 10 miles from the Basic CCFLC Metro Ethernet service wire center also require CCFLC Metro Ethernet service Additional Mileage charges.
- J. A Premium CCFLC Metro Ethernet service Connection provides 2 Mbps, 4 Mbps, 8 Mbps, 10 Mbps, 20 Mbps, 50 Mbps, 100 Mbps, 250 Mbps, 500 Mbps and 900 Mbps Ethernet capabilities that are a part of a CCFLC Metro Ethernet service network within a metropolitan area. Premium CCFLC Metro Ethernet service provides the ability to order Ethernet Service with improved service characteristics to meet customer needs regarding the assurance of bandwidth availability.

SECTION 7 - DEDICATED ACCESS SERVICES (Cont'd.)**7.2 Service Description (Cont'd.)****7.2.9 CCFLC Metro Ethernet Service (Cont'd.)****J. (cont'd)**

Premium CCFLC Metro Ethernet service provides customer capabilities to assure service characteristics via ordering a Committed Bandwidth (CBW). A CBW is the minimum bandwidth across the CCFLC Metro Ethernet service network within a metropolitan area between a customer's Premium CCFLC Metro Ethernet service locations.

Premium CCFLC Metro Ethernet service Connections are available with "Fixed" and "Burst" capabilities unless specified otherwise¹. With the Fixed arrangement, Premium CCFLC Metro Ethernet service Connections will have the bandwidth ordered (e.g., 10 Mbps) available across the CCFLC Metro Ethernet service network. With the Burst arrangement, Premium CCFLC Metro Ethernet service Connections will have the ability to send burst of data above their CBW rate, if network capacity and facilities are available. For example, a 10 Mbps, a 20 Mbps and a 50 Mbps Connection may Burst up to 100 Mbps, while a 100 Mbps, a 250 Mbps and a 500 Mbps Connection may Burst up to 1 Gbps.

A Premium CCFLC Metro Ethernet service Connection operating at any of these speeds is capable of interconnecting with other Premium CCFLC Metro Ethernet service Connections that are operating at any of these speeds in the same metropolitan area.

A Premium CCFLC Metro Ethernet service Connection provides data channel transport that connects customer premises² that are 10 miles or less in distance from the CCFLC Metro Ethernet service wire center associated with the Premium CCFLC Metro Ethernet service Connection. Customer locations² greater than 10 miles from the Premium CCFLC Metro Ethernet service wire center also require CCFLC Metro Ethernet service Additional Mileage charges.

Note 1: Premium Connections at 2 Mbps, 4 Mbps, 8 Mbps and 900 Mbps are available only as Fixed arrangements (i.e., "Burst capability is not available).

Note 2: And is alternatively set forth in 7.4.32.A.5 and 6 following

SECTION 7 - DEDICATED ACCESS SERVICES (Cont'd.)**7.2 Service Description (Cont'd.)****7.2.9 CCFLC Metro Ethernet Service (Cont'd.)**

- K. A Dedicated CCFLC Metro Ethernet service Connection provides 100 Mbps and 1 Gbps point-to-point Ethernet capabilities that are part of a CCFLC Metro Ethernet service network within a metropolitan area. A Dedicated CCFLC Metro Ethernet service Connection operating at either of these speeds is only capable of interconnecting with one other Dedicated CCFLC Metro Ethernet service Connection in the same metropolitan area. A Dedicated CCFLC Metro Ethernet service Connection provides data channel transport that connects customer premises that are 10 miles or less in distance from the CCFLC Metro Ethernet service wire center associated with the Dedicated CCFLC Metro Ethernet service Connection. Customer locations' greater than 10 miles from the Dedicated CCFLC Metro Ethernet service wire center also require CCFLC Metro Ethernet service Additional Mileage charges.
- L. A Virtual CCFLC Metro Ethernet Service Connection provides 2 Mbps, 4 Mbps, 8 Mbps, 10 Mbps, 20 Mbps, 50 Mbps, 80 Mbps, 100 Mbps, 200 Mbps, 300 Mbps, 450 Mbps, 600 Mbps, 750 Mbps and 900 Mbps Ethernet capabilities that are a part of a CCFLC Metro Ethernet Service network within a metropolitan area. Virtual CCFLC Metro Ethernet Service provides the ability to order Ethernet Service where a single customer connection can support multiple applications with varying Quality of Service (QoS) features and Classes of Service. Virtual CCFLC Metro Ethernet Service provides customer capabilities to support different Classes of Service (CoS) (i.e., Real-Time, Interactive, Business Critical and Best Effort as described in E7.2.18.T) over the same Connection and offers customers increased flexibility to match bandwidth to their real needs for voice/data/video applications on each Connection. The customer orders the percentage of their Virtual CCFLC Metro Ethernet Service Connection bandwidth that will be allocated for each class of service.

For each Virtual Connection, the customer's bandwidth will be limited to the fixed speed associated with each COS level specified in the COS profile selected for the Virtual Connection. A Virtual CCFLC Metro Ethernet Service Connection operating at any of these speeds is capable of interconnecting with other Virtual CCFLC Metro Ethernet Service Connections that are operating at any of these speeds in the same metropolitan area. A Virtual CCFLC Metro Ethernet Service Connection provides data channel transport that connects customer premises that are 10 miles or less in distance from the CCFLC Metro Ethernet Service wire center associated with the Virtual CCFLC Metro Ethernet Service Connection. Customer locations greater than 10 miles from the Virtual CCFLC Metro Ethernet Service wire center also require CCFLC Metro Ethernet Service Additional Mileage charges.

SECTION 7 - DEDICATED ACCESS SERVICES (Cont'd.)**7.2 Service Description (Cont'd.)****7.2.9 CCFLC Metro Ethernet Service (Cont'd.)**

- M. CCFLC Metro Ethernet service Additional Mileage charges associated with a CCFLC Metro Ethernet service Connection apply when the total distance from the customer premises to the CCFLC Metro Ethernet service wire center associated with the service serving the customer premises' is greater than 10 miles in length. The additional mileage is measured in airline miles from the customer premises' to the CCFLC Metro Ethernet service wire center associated with the CCFLC Metro Ethernet service. Fractions of miles will be considered as a whole mile.

CCFLC Metro Ethernet service Additional Mileage charges apply to Basic, Premium, Dedicated and Virtual CCFLC Metro Ethernet service based on the service's speed and the total distance associated with the data channel. The CCFLC Metro Ethernet service Additional Mileage Charge is based on the mileage band the total data channel mileage falls into. For example, a data channel that is 30 miles in length would be charged the additional mileage rate for the greater than 25 mile through 35 mile band.

- N. Priority Plus is an optional feature available to customers with Premium CCFLC Metro Ethernet service. Priority Plus provides the customer with the ability to prioritize their traffic in accordance with a predefined hardware queue model approach. With this option, customers will assign priority values to their data and higher priority data will be transmitted first. Priority Plus service traffic is limited to a small subset of the total Committed Bandwidth (CBW) traffic and is marked for expedited handling within the Metro Ethernet Service. Customers that desire Priority Plus must establish it for all of their Premium CCFLC Metro Ethernet service Connections within that Metro Ethernet Customer Network.

SECTION 7 - DEDICATED ACCESS SERVICES (Cont'd.)**7.2 Service Description (Cont'd.)****7.2.9 CCFLC Metro Ethernet Service (Cont'd.)**

- O. Q-Forwarding is an optional feature available to customers with Premium CCFLC Metro Ethernet service. Q-Forwarding provides VLAN aggregation across a common physical connection. This feature supports customer aggregation of traffic from multiple Metro Ethernet Customer Networks (referred to as VLANS). This aggregated traffic can be transported back to a central location and across a common Metro Ethernet Service Connection (referred to as the "aggregation" connection). Q-Forwarding utilizes IEEE 802.1Q VLAN Tagging procedures.

While Q-Forwarding is available with CCFLC Premium Metro Ethernet Connections at 2 Mbps, 4 Mbps and 8 Mbps, this feature is subject to technical limitations set forth in Technical Reference 73632 when used with these speed connections. With Q-Forwarding, special technical considerations set forth in Technical Reference 73632 must be taken into account to determine the customer's CBW across their CCFLC Metro Ethernet Network. The Q-Forwarding Service Establishment Charge is a charge to provision a Premium Metro Ethernet Connection with the Q-Forwarding feature and identify it as an "aggregation" connection. The Q-Forwarding Network Assignment Charge is a charge to provision each Metro Ethernet Customer Network to the Q-Forwarding "aggregation" connection. The Q-Forwarding Network Assignment Charge applies for each VLAN connected to the Q-Forwarding "aggregation" connection.

- P. VLAN Aggregation is an optional feature available to customers with Virtual CCFLC Metro Ethernet Service. VLAN Aggregation provides VLAN aggregation across a common physical connection. This feature supports customer aggregation of traffic from multiple Metro Ethernet Customer Networks (referred to as VLANS) comprised of Virtual Connections. This aggregated traffic can be transported back to a central location and across a common Virtual Metro Ethernet Service Connection (referred to as the "aggregation" connection). VLAN Aggregation utilizes IEEE 802.1Q VLAN Tagging procedures.

While VLAN Aggregation is available with CCFLC Virtual Metro Ethernet Connections at 2 Mbps, 4 Mbps and 8 Mbps, this feature is subject to technical limitations set forth in Technical Reference 73632 when used with these speed connections. The VLAN Aggregation Service Establishment Charge is a charge to provision a Virtual Metro Ethernet Connection with this feature and identify it as an "aggregation" connection. The VLAN Aggregation Network Assignment Charge is a charge to provision each Virtual Ethernet Customer Network to the "aggregation" connection. The VLAN Aggregation Network Assignment Charge applies for each VLAN connected to the "aggregation" connection.

SECTION 7 - DEDICATED ACCESS SERVICES (Cont'd.)**7.2 Service Description (Cont'd.)****7.2.9 CCFLC Metro Ethernet Service (Cont'd.)**

- Q. Customer Network Management (CATM) - Metro Ethernet Reporting is an optional feature available to customers with Premium or Virtual CCFLC Metro Ethernet service. CNM - Metro Ethernet Reporting provides customers a view into their CCFLC Metro Ethernet service network via the use of a web interface and security card. CNM - Metro Ethernet Reporting provides alarm surveillance, service level agreement reporting and performance reporting for the various network components that comprise the customer's CCFLC Metro Ethernet service network. This feature is only available to customers purchasing Premium or Virtual CCFLC Metro Ethernet service.

Customers who subscribe to CNM - Metro Ethernet Reporting must monitor their entire CCFLC Metro Ethernet Network. The CNM - Metro Ethernet Reporting Charge is applicable for each Premium or Virtual Metro Ethernet Service Connection. The CNM - Metro Ethernet Reporting Service Establishment Charge is a nonrecurring charge that applies to initially establish a new Metro Ethernet Service customer account. A customer with an existing CNM - Metro Ethernet Reporting customer account from another CCFLC jurisdiction may re-use that customer account.

All customers purchasing CNM - Metro Ethernet Reporting must have a web interface that will allow the customer to access and monitor their network via the web. Each web interface provides for one concurrent access. Additional concurrent accesses will require additional web interfaces. An initial web interface (Web Interface Charge - First) is provided with the initial establishment of a customer account. A monthly charge and a nonrecurring charge are applicable for each additional web interface requested for a customer account (Web Interface Charge - Each Additional).

A security card is required to access a web interface. Each security card can only be used for a single concurrent access and can be associated with only one web interface. A Security Card Charge will apply for the initial and additional cards requested and for the issuance of additional cards to replace lost, damaged or expired cards. A nonrecurring charge is applicable per security card requested.

SECTION 7 - DEDICATED ACCESS SERVICES (Cont'd.)**7.2 Service Description (Cont'd.)****7.2.9 CCFLC Metro Ethernet Service (Cont'd.)**

- R. CCFLC Metro Ethernet service Customer networks comprised of Premium Connections or Virtual Connections with CNM - Metro Ethernet Reporting are provided Service Level Agreements (SLAs) for the Company's repair and performance commitments for this service. Credits are provided for missed commitments on such service. The specific SLA commitments and credits applicable are set forth in this tariff.
- S. Subsequent to its initial installation, a customer may request to reconfigure or change a CCFLC Metro Ethernet service Connection. The Service Reconfiguration Charge or System Reconfiguration Charge will be the nonrecurring charge applicable for such a request; the appropriate nonrecurring charge will be based upon the reconfiguration or change requested.
- T. For each Virtual CCFLC Metro Ethernet Connection the customer must decide the mix of applications that will be supported on that Connection, the COS mix that Virtual Connection must support, and the percentage of bandwidth to be assigned for each COS (i.e., build a COS profile for each Virtual Connection). The customer's bandwidth will be limited to the fixed speed associated with each COS level. Therefore, total bandwidth available to support transmission of a specific COS will depend upon the size of the customer's Connection and the specific COS percentage the customer selected for that Connection.

A customer may request a single COS or up to four COS to build the COS Profile for a Virtual Connection. The customer determines the percentage bandwidth each COS selected should be of the total Virtual Connection's bandwidth. The sum of the percentages for each COS selected for a Virtual Connection must equal 100%. Additionally, the combined COS bandwidth percentages selected in a customer's COS Profile for Real-Time COS plus Interactive COS may not exceed 50%, except where the customer selects the 70% Real-Time COS bandwidth percentage and has no Interactive traffic.

A customer may select different COS profiles for different Virtual Connections that share the same network VLAN, or Virtual Connection network arrangement. However, technical limitations exist as discussed in 'FR-73632 that limit the total number of different COS profiles that can be utilized in a single Virtual Connection network arrangement.

SECTION 7 - DEDICATED ACCESS SERVICES (Cont'd.)**7.2 Service Description (Cont'd.)****7.2.9 CCFLC Metro Ethernet Service (Cont'd.)****T. (Cont'd.)**

The COS and percentage bandwidth selected for a Virtual Connection will define the applications that can be supported and its Quality of Service (QoS) attributes such as traffic priority, latency, packet loss rate, etc. QoS attributes are defined for each COS. Each Virtual Connection will support Ethernet traffic representing one or more applications and COS. Virtual Connections support the four following COS:

- Real-Time¹: This COS supports VoIP applications. The Real-Time COS is supported by a low latency queue. The Low Latency Queuing (LLQ) feature in the Ethernet network is used for support of the Real-Time COS.
- Interactive¹: This COS supports interactive Video applications. The Interactive COS is policed to a maximum bandwidth.
- Business Critical: This COS supports mission-critical business data applications. These applications tend to be data specific and may include medical imaging, electronic funds transfer, medical records transfer, etc.
- Best Effort: This COS is the default COS for all other traffic that is not defined as Business Critical, Real-Time or Interactive. Traffic that does not match the other COS will be mapped as Best Effort. Traffic with the Best Effort COS will have the lowest priority on the network and will support lower priority data applications, such as email and file transfer protocol (FTP).

Each customer packet from a Virtual Connection will be classified and assigned to a specific COS by methods identified in TR-73632.

Note 1: The combined COS bandwidth percentages selected in a customer's Virtual Connection COS profile for Real-Time COS plus Interactive COS may not exceed 50%, except where the customer selects the 70% Real-Time COS bandwidth percentage and has no Interactive traffic.

SECTION 7 - DEDICATED ACCESS SERVICES (Cont'd.)**7.2 Service Description (Cont'd.)****7.2.9 CCFLC Metro Ethernet Service (Cont'd.)**

- U. Automatic Protection Switching (APS) is an optional feature available, except as specified otherwise herein, to customers with a Basic, Premium or Virtual CCFLC Metro Ethernet Service Connection of 10 Mbps or higher¹. The APS feature provides customers with the option of having data channel (i.e., facilities from the customer premises to the CCFLC Metro Ethernet Service wire center) survivability through the use of a secondary transport path that is diverse from the path provided with their primary Metro Ethernet Connection. This secondary transport path (i.e., data channel) is provided for a specific Metro Ethernet Connection (i.e., the primary) with the selection of the APS feature which then provides the customer with complete path protection. However, APS is not available for a 2 Mbps, 4 Mbps or 8 Mbps Connection.

With APS, the primary Metro Ethernet Connection's data channel is monitored for threshold violations or path failures with a fail-over to the secondary data channel path provided via the APS feature. The APS data channel is checked periodically to ensure its availability if a failure of the primary Metro Ethernet Connection's data channel occurs.

APS may be ordered as a structurally diverse transport path (Structural Protection) or a route diverse transport path (Route Protection). Structural Protection APS is defined as the APS facility and the primary Metro Ethernet Connection facility being in separate sheaths in separate structures located along the same route (e.g., underground/underground, buried/underground, aerial/underground, aerial/buried, buried/buried, and aerial/aerial), or along different routes at the Telephone Company's discretion. Route Protection APS is defined as the APS facility being in a separate sheath within alternate underground, aerial or direct buried structures that are run along separate physical paths from the facilities associated with the primary Metro Ethernet Connection. No precise distance separation is specified between the paths; although the separation is sufficient to preclude one disruptive event from affecting both routes.

Note 1: Automatic Protection Switching (APS) is not available for a 2 Mbps, 4 Mbps or 8 Mbps Basic, Premium or Virtual Connection.

SECTION 7 - DEDICATED ACCESS SERVICES (Cont'd.)**7.2 Service Description (Cont'd.)****7.2.9 CCFLC Metro Ethernet Service (Cont'd.)**

- U. (Cont'd.) The APS feature is billed based upon the actual total route miles in a customer's specific Structural Protection APS or Route Protection APS design as determined by the Telephone Company. The term "route miles" is defined for this application to be the actual physical distance or length (not airline mileage), rounded up to the next whole mile, of the unique APS facility designed for each individual customer premises. Total route miles are measured between the customer premises and its serving wire center, plus route miles between the serving wire center and any intermittent wire centers in the path designed to reach the CCFLC Metro Ethernet wire center associated with the primary Metro Ethernet Connection (i.e., the wire center where the CCFLC Metro Ethernet switching equipment is located).

The APS rate element provides the alternate data channel transport and APS equipment in the CCFLC Metro Ethernet Service wire center associated with the primary Metro Ethernet Connection. Actual total route mileage for the customer's APS design is determined from a Service Inquiry. The route mileage determined from this Telephone Company Service Inquiry is used for billing purposes and is the sole determinant of such mileage (i.e., not subject to dispute).

- V. CCFLC Metro Ethernet Service Independent Company (ICO) Trunk Connection
- Provides interconnection between CCFLC's Ethernet network and the Ethernet network of an Independent Telephone Company. A CCFLC Metro Ethernet Service ICO Trunk Connection provides data channel transport for connections that are 10 airline miles or less in distance from the CCFLC Metro Ethernet Service ICO Trunk Connection wire center to the meet-point with the Independent Company. Meet-point locations greater than 10 airline miles from the CCFLC Metro Ethernet Service ICO Trunk Connection wire center also require CCFLC Metro Ethernet Service ICO Trunk Additional Mileage charges.
- W. CCFLC Metro Ethernet Service Independent Company (ICO) Trunk Additional Mileage Charges - Additional mileage charges associated with a CCFLC Metro Ethernet Service ICO Trunk Connection apply when the total distance from the CCFLC Metro Ethernet Service ICO Trunk Connection wire center to the meet-point with the Independent Company is greater than 10 miles in length. The additional mileage is measured in airline miles from the CCFLC Metro Ethernet Service wire center associated with the CCFLC Metro Ethernet Service ICO Trunk Connection to the Independent Company meet-point. Fractions of miles will be considered as a whole mile.

SECTION 7 - DEDICATED ACCESS SERVICES (Cont'd.)**7.2 Service Description (Cont'd.)****7.2.9 CCFLC Metro Ethernet Service (Cont'd.)****X. Migration to CCFLC Switched Ethernet Service**

As of January 18, 2012, if the customer migrates from Metro Ethernet Service to CCFLC Switched Ethernet Service in accordance with all terms and conditions in this tariff applicable to CCFLC Switched Ethernet Service, then the customer may do so without termination charges given all of the following conditions are met:

- The customer must issue a disconnect order for their existing Metro Ethernet service and place a service order for CCFLC Switched Ethernet Service. If over-lapping service is required, billing will apply.
- Standard nonrecurring charges to install CCFLC Switched Ethernet Service, if applicable, will apply.
- The term of the new contract must be equal to or greater than the remaining time left on the existing Metro Ethernet contract and the Monthly Recurring Charge of the new CCFLC Switched Ethernet service must be equal to or greater than the Monthly Recurring Charge of the Metro Ethernet service being replaced.
- The new CCFLC Switched Ethernet Service and the Metro Ethernet service must be billed to the same customer of record at the same location(s).
- The customer's existing Metro Ethernet Service must have been in service at least 12 months.
- Migration is contingent on availability of fiber and equipment to serve the location being migrated. Other Special Construction charges, as necessary, may apply.
- If Special Construction charges were applicable to the existing Metro Ethernet service being replaced, and those charges were not already paid, they must be carried forward to the new CCFLC Switched Ethernet Service contract.

SECTION 7 - DEDICATED ACCESS SERVICES (Cont'd.)

7.3 Channel Interface and Network Channel Codes

This section explains the Channel Interface codes and Network Channel codes that the customer must specify when ordering Dedicated Access Service. Included is an example which explains the specific characters of the code, a glossary of Channel Interface codes, impedance levels, and Network Channel codes. Compatible Channel Interface codes are contained in the services respective Technical Reference Publications as indicated in 7.2.

Example: If the customer specifies a LB Network Channel Code and a 2LC8 Channel Interface at the customer's premises, the following is being requested:

LB = Voice Grade (a.k.a. CCFLC SPA DS0 VG) Channel with a Predefined Technical Specification Package (1) 2 = Number of physical wires at customer premises LC = Facility interface for Type C Signaling 8 = Variable impedance level

7.3.1 Glossary of Channel Interface Codes and Options

<u>Code - Option</u>	<u>Definition</u>
AB-	Accepts 20 Hz ringing signal at customer's point of termination
AC-	Accepts 20 Hz ringing signal at the customer's point of termination
CS-	Digital hierarchy interface at Digital Cross connect System (DCS)
-EA	E & M Signaling
-GO	Ground Start Loop Signaling-Open End
-GS	Ground Start Loop Signaling-Closed End
-LO	Loop Start Loop Signaling-Open End
-LS	Loop Start Loop Signaling-Closed End
-NO	Transmission Only - No Signaling
-R	(DS0) Customer Reconfigurable Voice Grade Service
-10R	DS1 to DS0 Customer Reconfigurable
-10R	DS1 to DS0 Customer Reconfigurable
-10	DS1 to DS0
-11R	DS1to DS1Customer Reconfigurable
-11	DS1 to DS1
-SP	Resistive Type: Split Path Operation for Data Polling Conference Type
-CF	Resistive Type: Split Path Operation for Symmetrical Voice Conference Type
-BC	CO Bridging: Broadcast for Broadcast Conference Type
CT-	Centrex Tic Trunk Termination

SECTION 7 - DEDICATED ACCESS SERVICES (Cont'd.)

7.3 Channel Interface and Network Channel Codes (Cont'd.)

7.3.1 Glossary of Channel Interface Codes and Options (Cont'd.)

<u>Code - Option</u>	<u>Definition</u>
DA-	Data stream in VF frequency band at customer's point of termination
DB-	Data stream in VF frequency band at customers point of termination
-10	VF for TG 1 and TG2
-43	VF for 43 Telegraph Carrier type signals, TGI and TG2
DD-	Dataphone Select-A-Station (and TABS) interface at customer's point of termination
DE-	Dataphone Select-A-Station (and TABS) interface at the customer's end user's point of termination
DS-	Digital hierarchy interface
-1K	1.544 Mbps (DS1) ANSI Extended Superframe (ESF) format
-1S	1.544 Mbps (DS1) ANSI Extended Superframe (ESF) format and B8ZS Clear Channel Capability
15-	1.544 Mbps (DS1) Superframe (SF) format
15B-	1.544 Mbps (DS1) Superframe (SF) format and B8ZS Clear Channel Capability
-15E	8-bit PCM encoded in one 64 Kbps of the DS1 signal
-15F	8-bit PCM encoded in two 64 Kbps of the DS1 signal
-15G	8-bit PCM encoded in three 64 Kbps of the DS1 signal
-15H	14/11 bit PCM encoded in six 64 Kbps of the DS1 signal
-15J	1.544 Mbps format per PUB 41451 (only available to U.S. Govt. agencies)
-31	3.152 Mbps (DS1 C)
-31L	3.152 Mbps (DS1 C) with SIF signaling
-44	44.736 Mbps (DS3)
-44L	44.736 Mbps (DS3) with SF signaling
-63	6.312 Mbps (DS2)
-63L	6.312 Mbps (DS2) with SF signaling
DU-	Digital access interface
-19(S) ¹	19.2 Kbps
-24(S) ¹	2.4 Kbps
-48(S) ¹	4.8 Kbps
-56(S) ¹	56.0 Kbps
-64	64.0 Kbps
-96(S) ¹	9.6 Kbps

SECTION 7 - DEDICATED ACCESS SERVICES (Cont'd.)

7.3 Channel Interface and Network Channel Codes (Cont'd.)

7.3.1 Glossary of Channel Interface Codes and Options (Cont'd.)

<u>Code - Option</u>	<u>Definition</u>
-1KN	DS 1 (1.544 Mbps) ANSI Extended Superframe (ESF) Format per TR-NPL-000054 without line power
-1SN	DS1 (1.544 Mbps) ANSI Extended Superframe (ESF) Format per TR-NPL-000054, with B8ZS Clear Channel Capability and without line power
-A	DS1 (1.544 Mbps) free-framing format per PUB 41451 with line power (only available to U. S. Govt. agencies)
-AN	DS1 (1.544 Mbps) free-framing format per PUB 41451 without line power (only available to U. S. Govt. agencies)
-BN	DS 1 (1.544 Mbps) Superframe (SF) Format per TR-NPL-000054 without line power
-DN	DS1 (1.544 Mbps) Superframe (SF) Format per TR-NPL-000054, with B8ZS Clear Channel Capability and without line power.
-SN	1.544 Mbps (DS1) ANSI Extended Superframe (ESF) format and B8ZS Clear Channel Capability
DV-	Data and Voice Multiplexing
-BC	Digital Data Over Voice, 9.6 Kbps
DX-	Duplex signaling interface at customer's point of termination
EA-E	Type I, E&M Lead Signaling. Customer at POT or end user at POT originates one E Lead.
EA-M	Type I E&M Lead Signaling. Customer at POT or end user at POT originated on M Lead.
EB- E	Type 11, E&M Lead Signaling. Customer at POT or end user at POT originates on E Lead.
E13- M	Type II E&M Lead Signaling. Customer at POT or customer's end user at POT originates on M Lead.
EC-	Type 111, E&M signaling at customer POT.
EX- A	Tandem channel unit signaling for loop start or ground start and customer supplies open end (dial tone, etc.) functions.
-B	Tandem channel unit signaling for loop start or ground start and customer supplies closed end (dial pulsing, etc.) functions.
GO-	Ground start loop signaling - open end function by customer or customer's end user
GS-	Ground start loop signaling - closed end function by customer or customer's end user
C	Centrex foreign exchange termination

Note 1: (S) is an additional CCFLC designation for use when the optional Secondary Channel feature is required.

SECTION 7 - DEDICATED ACCESS SERVICES (Cont'd.)

7.3 Channel Interface and Network Channel Codes (Cont'd.)

7.3.1 Glossary of Channel Interface Codes and Options (Cont'd.)

<u>Code - Option</u>	<u>Definition</u>
M	For terminating in central office located answering service concentrator
LA-	End user loop start loop signaling - Type A OPS registered port open end
LB-	End user loop start loop signaling - Type B OPS registered port open end
LC-	End user loop start loop signaling - Type C OPS registered port open end
LO-	Loop start loop signaling - open end function by customer or customer's end user
LR-	20 Hz automatic ringdown interface at customer with Company provided PLAR
LS-	Loop start loop signaling - closed end function by customer or customer's end user
-M	For terminating in central office located answering service concentrator
NO-	No signaling interface, transmission only
PR-	Protective relaying ¹
RV - 0	Reverse battery signaling, one way operation, originate by customer
-T	Reverse battery signaling, one way operation, terminate function by customer or customer's end user
SF-	Single frequency signaling within VF band at either customer POT or customer's end user POT
TF-	Telephotograph interface
TT-	Telegraph/teletypewriter interface at either customer POT or customer's end user POT
-2	20.0 milliamperes
-3	3.0 milliamperes
-6	62.5 milliamperes

Note 1: Available only for the transmission of audio tone protective relaying signals used in the protection of electric power systems during fault conditions.

SECTION 7 - DEDICATED ACCESS SERVICES (Cont'd.)

7.3 Channel Interface and Network Channel Codes (Cont'd.)

7.3.2 Impedance

The nominal reference impedance with which the channel will be terminated for the purpose of evaluating transmission performance:

<u>Value (ohms)</u>	<u>Code(s)</u>
110	0
150	1
600	2
900	3 ¹
135	5
75	6
124	7
Variable	8
100	9

Note 1: For those interface codes with a 4-wire transmission path at the customer designated POT, rather than a standard 900 ohm impedance, the code (3) denotes a customer provided transmission equipment termination. Such terminations were provided to customers in accordance with the FCC Docket No. 20099 Settlement Agreement.

7.3.3 Digital Hierarchy Channel Interface Codes (4DS)

Customers selecting the channelized four-wire DS-1 or higher facility interface option at the customer designated premises will be requested to provide subsequent system and channel assignment data. The various digital bit rates in the digital hierarchy employ the channel interface code 4DS9, 4DS0 or 4DS6 plus the speed options indicated following:

<u>Interface Code and Speed Option</u>	<u>Nominal Bit Rate (Mbps)</u>	<u>Digital Hierarchy Level</u>
4DS9-15	1.544	DS1
4DS9-31	3.152	DS1C
4DS0-63	6.312	DS2
4DS6-44	44.736	DS3

SECTION 7 - DEDICATED ACCESS SERVICES (Cont'd.)

7.3 Channel Interface and Network Channel Codes (Cont'd.)

7.3.4 Service Designator/Network Channel Code Conversion Table

The purpose of this table is to show the relationship between the service designator codes (e.g. VG2, DAI, etc.) and the network channel codes that are used for various administrative purposes.

<u>Service Designator</u>	<u>Network Channel</u>
<u>Code</u>	<u>Code</u>
TG1	NW
TG2	NY
VGI	LB
VG2	LC
VG3	LD
VG4	LE
VG5	LF
VG6	LG
VG7	LH
VG8	LJ
VG9	LK
VG10	IN
VG11	LP
VG12	LR
TV3	TZ
DAI	XA
DA2	XB
DA3	XG
DA4	XH
DA5	XE
DA6	YN
HCO	HS
HC1	HC
HCIC	HD
HC2	HE
HC3	171F
HC14T	HK-A
HC16T	HK-B

SECTION 7 - DEDICATED ACCESS SERVICES (Cont'd.)

7.4 Rate Regulations

This section contains the specific regulations governing the rates and charges that apply for Dedicated Access Services.

7.4.1 Types of Rates and Charges

- A. There are two types of rates and charges. These are monthly rates and nonrecurring charges. The rates and charges are described as follows:

Monthly Rates - Monthly rates are flat recurring charges that apply each month or fraction thereof that a Dedicated Access Service is provided. Minimum periods are specified in 5.2.5.

Digital Data Access Service and Derived Data Channel (a.k.a. CCFLC SPA Derived Data Channel) service are offered under two contract plans. Contract plan rates are available in payment periods from twenty-four to forty-two months and in payment periods from forty-three to sixty months under conditions specified in the Channel Services Payment Plan in 2.4 of this Tariff. (These payment periods are an exception to those listed in 2.4 of this Tariff.) Termination Liability charges will not apply for customer requests for moves of service under CSPP subject to the provisions set forth in 2.4.9.A. 11 of this Tariff. However, a Termination Liability Charge is applicable at the date of termination if the customer terminates or disconnects the service prior to fulfilling the period of the contract plan except as specified in 2 following. The Termination Liability Charge is determined by multiplying the contracted monthly rate times the number of months in the contract plan, less the contracted monthly rate times the number of months the service has been installed, multiplied by a factor. The factor is fifty percent (50%) for contracts that have been in effect twelve months (12) or less, or twenty percent (20%) for contracts that have been in effect longer than twelve months (12). An example is provided in 1 following.

The following list identifies the individual Dedicated Access Services provided under Section 7 of this Tariff which are eligible for credit of nonrecurring charges under "Service Installation Guarantee" found in 2.4.10 of this Tariff. Customers with these services are not eligible for the Service Installation Guarantee when the requested installation, move or rearrangement service order interval is four days or less as measured from the Application Date of the order.

- Voice Grade (a.k.a. CCFLC SPA DS0 VG),
- Digital Data Access (a.k.a. CCFLC SPA Derived Data Channel) service¹
- High Capacity (a.k.a. CCFLC SPA High Capacity) service
- SPA Customer Reconfiguration

SECTION 7 - DEDICATED ACCESS SERVICES (Cont'd.)

7.4 Rate Regulations (Cont'd.)

7.4.1 Types of Rates and Charges (Cont'd.)

A. (Cont'd.)

- SPA Shared Ring provided, however, that the following services are not eligible for such credit.
- CCFLC Metro Ethernet service

1. A customer subscribes to Digital Data Access (a.k.a. CCFLC SPA DS0 Digital Data) service using the twenty-four to forty-two month payment plan. The contract plan period is for thirty months. The subscriber terminates the service after twelve months. The total liability charge is thirty months times the monthly rate. The amount is then reduced to reflect the number of months the subscriber has had the service, which in this example is twelve months. Therefore, the Termination Liability Charge is fifty percent (50%) of this amount calculated as follows:

Termination Liability Charge = .50 x [(30 months x monthly rate) - (12 months x monthly rate)]

2. A Termination Liability Charge will not be applicable at the date of termination if the customer terminates or disconnects the service prior to fulfilling the period of the contract plan for customer requested changes to a higher order of service covered by the Channel Services Payment Plan as specified in 2.4.9.A.4.b of this Tariff, or customer requested changes to services not covered by the Channel Services Plan that are offered by the Company under a contract payment plan provided that the applicable conditions set forth in 2.4.9.A.4.b of this Tariff are satisfied.

Contract rates are available for 1.544 Mbps High Capacity (a.k.a. CCFLC SPA High Capacity) service for variable periods, with rates based on lengths of 36 months, 60 months, or 84 months under conditions specified in the Channel Service Payment Plan in 2.4 of this Tariff. A Termination Liability Charge is applicable at the date of termination. The applicable charge will be equal to fifty percent of the following: the number of months remaining in the contract times the monthly contract rate. However, Termination Liability charges will not apply for customer requests for moves of service under CSPP subject to the provisions set forth in 2.4.9.A.11 preceding.

Rates applicable to a month-to-month payment option are subject to Company initiated changes.

Note 1: The Data Over Voice Channel optional feature is not eligible for such credit.

SECTION 7 - DEDICATED ACCESS SERVICES (Cont'd.)**7.4 Rate Regulations (Cont'd.)****7.4.1 Types of Rates and Charges (Cont'd.)****B. Nonrecurring Charges**

Nonrecurring charges are one-time charges that apply for specific work activity (i.e., installation or change to an existing service). The types of nonrecurring charges that apply for Dedicated Access Services are: installation of service, installation of optional features and functions, and service rearrangements.

1. Installation of Service**a. Local Channels**

Nonrecurring charges apply to each Local Channel on each Dedicated Access Service installed. When one service is ordered and installed, it is billed at the First Service Installed rate. When more than one of the same type of service, between the same locations, for the same customer is ordered and installed at the same time, one at each location is billed at the First Service Installed Rate and the others are billed at the Additional Service Installed rate. If additional services are installed at a later date, then the First Service Installed rate and the Additional Service rate would apply to those services regardless of what service already existed.

b. Interoffice Channel Mileage

The nonrecurring charge for the Interoffice Channel mileage will be applied each time the Interoffice Channel rate element is applicable. The nonrecurring charges for the Installation of Services are set forth in 7.5 following as nonrecurring charges for the Local Channel Rate Element and the Interoffice Channel Rate Element.

SECTION 7 - DEDICATED ACCESS SERVICES (Cont'd.)**7.4 Rate Regulations (Cont'd.)****7.4.1 Types of Rates and Charges (Cont'd.)****B. Nonrecurring Charges (Cont'd.)****2. Installation of Optional Features and Functions**

Nonrecurring charges apply for the installation of some of the optional features and functions available with Dedicated Access Services. The Initial nonrecurring charge applies if the feature or function is installed coincident with the primary service. The Subsequent nonrecurring charge applies if the feature or function is installed after the installation of the primary service. One nonrecurring charge is applicable to bridging.

First and Additional nonrecurring charges are applicable to activate each individual Central Office Channel Interface of a DS1 or DS0 Basic Channelization System, and are in addition to the nonrecurring charges for the DS1 or DS0 Basic Channelization System. A "First" Central Office Channel Interface nonrecurring charge is applicable to the first Central Office Channel Interface installed coincident with the installation of a DS1 or DS0 Basic Channelization System, per service request. An "Additional" nonrecurring charge applies for each additional Central Office Channel Interface, of the same type, ordered and installed at the same location, for the same customer, at the same time, on the same order request. Future requests for a Central Office Channel Interface(s) on an existing DS1 or DS0 Basic Channelization System will be treated as new requests and will require "First" and "Additional" Central Office Channel Interface nonrecurring charge application, in addition to any other applicable charge(s).

One nonrecurring charge is applicable for each individual DS1 level Central Office or Customer channel interface and is in addition to any other applicable charge(s).

The nonrecurring charges for the installation of optional features and functions are set forth in 7.5 following as nonrecurring charges for optional features and functions associated with the specific services.

 SECTION 7 - DEDICATED ACCESS SERVICES (Cont'd.)

7.4 Rate Regulations (Cont'd.)

7.4.1 Types of Rates and Charges (Cont'd.)

B. Nonrecurring Charges (Cont'd.)

3. Service Rearrangements

Service rearrangements are changes to existing (installed) services which do not result in either a change in the minimum period requirements as set forth in 5.2.5.E or a change in the physical location of the point of the termination at a customer designated premises. Changes which result in the establishment of new minimum period obligations are treated as disconnects and starts. Changes in the physical location of the point of the termination are treated as moves and are described and charged for as set forth in 7.4.5 following. A change which results from a transfer of service is described and charged as set forth in 4 and 7.5.13 following.

The charge to the customer for the service rearrangement is dependent on whether the change is administrative only in nature or involves actual physical change to the service. Administrative changes, identified as follows, will be made without charge(s) to the customer. Such changes require the continued provision and billing of the Dedicated Access Service to the same entity (i.e., customer remains responsible for all outstanding indebtedness for the Dedicated Access Service). Administrative changes are as follows:

- Change of customer name (i.e., the customer of record does not change but rather the customer of record changes its name, e.g., AT&T Long Lines to AT&T Communications),
- Change of customer or customer's end user premises address when the change of address is to a result of a physical relocation of equipment,
- Change in billing data (name, address, or contact name or telephone number. The customer of record does not change).
- H-Change of customer circuit identification,
- Change of billing account number,
- Change of customer test line number,
- Change of customer or customer's end user contact name or telephone number, and
- Change of jurisdiction.

SECTION 7 - DEDICATED ACCESS SERVICES (Cont'd.)**7.4 Rate Regulations (Cont'd.)****7.4.1 Types of Rates and Charges (Cont'd.)****B. Nonrecurring Charges (Cont'd.)****3. Service Rearrangements (Cont'd.)**

All other service rearrangements, including physical changes to existing services, will be charged for as follows:

- If the change involves the addition of other customer designated premises to an existing multipoint service, the nonrecurring charge for the Local Channel rate element will apply. The charge(s) will apply only for the location(s) that is being added.
- If the change involves the addition of an optional feature or function which has a separate nonrecurring charge, that nonrecurring charge will apply.
- If the change involves changing the type of signaling on a Voice Grade (a.k.a. CCFLC SPA DS0 VG) service, a charge equal to the Voice Grade (a.k.a. CCFLC SPA DS0 VG) Local Channel rate element nonrecurring charge will apply. The charge will apply per service termination affected.
- If the change involves changing a customer's 1.544 Mbps high capacity service, as described in 7.2.9 preceding, to SPA Shared Ring, the change will be considered a disconnect of the existing service and full nonrecurring charges apply for the SPA Shared Ring. If the existing 1.544 Mbps high capacity service is provided under a Channel Services Payment Plan (CSPP) agreement, a change to SPA Shared Ring under CSPP will be considered an upgrade and termination liability charges will not apply.
- If the change involves changing (reconfiguring) an existing CCFLC Metro Ethernet service Connection, appropriate charges provided in 7.4.32 following apply.
- If the change involves the addition of a DS3 Network Interface Unit (NIU) to a SPA Dedicated Ring) or SPA Managed Shared Ring Network the rates and charges shown in 13.3.25 of this Tariff shall apply.
- For all other changes, including a change of the customer of record involving no physical changes to the service provided or the addition of optional features without separate nonrecurring charges, a charge equal to a Local Channel rate element nonrecurring charge will apply. Only one such charge will apply per service, per change.

SECTION 7 - DEDICATED ACCESS SERVICES (Cont'd.)**7.4 Rate Regulations (Cont'd.)****7.4.1 Types of Rates and Charges (Cont'd.)****B. Nonrecurring Charges (Cont'd.)****4. Transfer of Service**

When a change in billing data (e.g., name, address, contact name, or telephone number) is requested in association with a change in the customer of record, transfer of service charges, as set forth in 7.5.13 following will apply. Charges are applied on a Billing Account Number (BAN) and per circuit basis.

7.4.2 Dedicated Access Services Capable of Using the Local Exchange Network**A. General**

When a Dedicated Access Line, intraLATA interexchange private line or Private Bypass facility is connected to a device capable of interconnecting the Dedicated Access line, intraLATA interexchange private line or Private Bypass facility to the Local Exchange Network the Exchange Service Rate associated with that device (e.g., the PBX trunk in the case of a PBX) will be rated as Message or Measured Service as specified in the Local Exchange Company's General Subscriber Service Tariff.

B. Application of Measured or Message Service

Application of Measured or Message exchange service charges for services existing on the effective date of this Tariff will commence March 16, 1986, unless the certification process described in C. following is met on or before February 8, 1986. For new Dedicated Access services, intraLATA interexchange private line or Private Bypass facilities ordered on or after the effective date of this Tariff and terminating for an end user at the same address at which a PBX trunk or other similar exchange service is also provided, that exchange service will automatically be rated on a Measured or Message basis unless the certification process described in C. following is met. Measured or Message service rates will be applied at the discretion of the Local Exchange Company for exchange services not certified by the process described in C., following.

SECTION 7 - DEDICATED ACCESS SERVICES (Cont'd.)**7.4 Rate Regulations (Cont'd.)****7.4.2 Dedicated Access Services Capable of Using the Local Exchange Network (Cont'd.)****C. Certification Process**

The certification will be in the form of a written notification to the Company certifying that calls are not completed into the Local Exchange Network over the Dedicated Access line, intraLATA interexchange private line or Bypass Facility. The notification may be provided (1) on or before February 8, 1986, for service existing on the effective date, (2) at the time new service is ordered or (3) at such time the Dedicated Access service, intraLATA interexchange private line or Bypass Facility is reterminated to a device not capable of interconnecting to the local exchange network. If a written certification is not received at the time an order for service is placed, message/measured exchange service will apply. Exempt status will become effective on the date certification is received by the Company.

D. Change of Status

The Company will cease billing message/measured exchange service rates when certification that the service has become exempt as set forth in C, preceding is received.

7.4.3 Reserved for Future Use**7.4.4 Minimum Periods**

The minimum service periods are specified in 5.2.6 of this Tariff, except for SPA Shared Ring, CCFLC Metro Ethernet service and Dedicated Ring whose minimum service period is 4 months. The minimum service period for High Capacity ICB (a.k.a. CCFLC SPA High Capacity) services is specified in the Individual Case Basis Filing.

7.4.5 Moves

A move involves a change in the physical location of one of the following:

- The Point of Termination at the customer's premises
- The customer's premises

The charges for the move are dependent on whether the move is to a new location within the same building or to a different building.

SECTION 7 - DEDICATED ACCESS SERVICES (Cont'd.)**7.4 Rate Regulations (Cont'd.)****7.4.5 Moves (Cont'd.)****A. Moves Within the Same Building**

When the move is to a new location within the same building, the charge for the move will be an amount equal to one half of the nonrecurring (i.e., installation) charge for the service termination affected. There will be no change in the minimum period requirements.

B. Moves to a Different Building

Moves to a different building (customer premises) in a wire center serving area different than the customer's existing serving wire center serving area, other than addressed in C. following, will be treated as a discontinuance and start of service and all associated nonrecurring charges will apply. Service will not be available simultaneously at both the original and new locations. New minimum period requirements may be established for the rearranged services in accordance with the regulations for the service. The customer will also remain responsible for satisfying all outstanding minimum period charges for the discontinued service. When the move involves a multipoint service, the nonrecurring charge will apply per rate element affected.

Moves to a Company-provided EIS interconnection arrangement, where the customer's and interconnector's existing wire center is the same, will be treated as a service move rather than a discontinuance and start of service. Cross connect rates, nonrecurring charges, and optional feature and function charges as contained in Section 20 following, will apply. In addition, service reconfiguration charges are applicable per customer request and per circuit moved as contained in 7.5.12 following. Individual services will not be available simultaneously at both the original premises location and new wire center interconnection space. Additional cooperative end-to-end testing is available and will be conducted by the Company when requested at rates and charges contained in 13.3.5 following. New minimum period requirements may be established for the rearranged services in accordance with the regulations for a service. The customer will remain responsible for satisfying all outstanding minimum period charges for the original service locations. When the move involves a multipoint service, the nonrecurring charge will apply per rate element affected.

SECTION 7 - DEDICATED ACCESS SERVICES (Cont'd.)**7.4 Rate Regulations (Cont'd.)****7.4.5 Moves (Cont'd.)****B. Moves to a Different Building (Cont'd.)**

Moves to a different building (customer premises) in the customer's existing serving wire center serving area will be treated as a service move rather than a discontinuance and start of service. Nonrecurring charges for the new local channel will apply as well as any optional feature and function charges for that local channel. In addition, service reconfiguration charges are applicable per customer request and circuit moved as contained in 7.5.12 following. Service will not be available simultaneously at both the original and new customer locations. Additional cooperative end-to-end testing is available and will be conducted by the Company at a customer's request at rates and charges contained in 13.3.5 following. New minimum period requirements may be established for the rearranged services in accordance with the regulations for a service. The customer will also remain responsible for satisfying all outstanding minimum period charges for the original service locations. When the move involves a multipoint service, the nonrecurring charge will apply per rate element affected.

C. Moves of Service(s) under CSPP

Customer requests for moves of service under CSPP, other than inside moves, will be subject to the conditions stated in 2.4.9.A.8. preceding.

7.4.6 Mileage Measurement

The mileage to be used to determine the monthly rate for the Interoffice Channel is calculated on the airline distance between the locations involved, i.e., the serving wire centers associated with two customer designated premises, a serving wire center associated with a customer designated premises and a Company Hub, and a serving wire center associated with a customer designated premises, or two Company Hubs. The serving wire center associated with a customer designated premises is the serving wire center from which the customer designated premises would normally obtain dial tone.

Mileage is shown in 7.5 following in terms of mileage bands. To determine the rate to be billed, first compute the mileage using the V&H coordinates method, as set forth in the National Exchange Carrier Association Tariff FCC. No. 4, then find the band into which the computed mileage falls and apply the rates shown for that band. When the calculation results in a fraction of a mile, always round up to the next whole mile before determining the mileage band and applying the rates.

SECTION 7 - DEDICATED ACCESS SERVICES (Cont'd.)**7.4 Rate Regulations (Cont'd.)****7.4.6 Mileage Measurement (Cont'd.)**

When Hubs are involved, mileage is computed and rates applied separately for each section of the Interoffice Channel, i.e., customer designated premises serving wire center to Hub, Hub to Hub and/or Hub or customer designated premises serving wire center. However, when any service is routed through a Hub for purposes other than customer specified bridging or channelization (e.g., the Company chooses to so route for test access purposes), rates will be applied only to the distance calculated between the serving wire centers associated with the IC or End User designated premises. For the purpose of applying multipoint charges, the bridging or hubbing locations are determined by that combination of airline distances connecting the serving wire center which will produce the lowest interoffice mileage charges.

Dedicated Ring Local Channel, Alternate Central Office Channel and Intermodal Channel rates are also distance sensitive. They are measured per quarter airline mile or fraction thereof from the customer's designated premises to the Serving Wire Center, Alternate Central Office, or other Customer Nodes. V&H coordinates are derived for each customer location through the use of longitude and latitude measurements. Using the V&H coordinate method as set forth in the NATIONAL EXCHANGE CARRIER ASSOCIATION, INC. TARIFF FCC. No. 4, compute the mileage, convert to quarter miles, and multiply the appropriate per quarter mile rate by the distance involved. Any portion of a quarter mile will always round up to the next quarter mile before determining the mileage and applying the rate.

The Dedicated Ring Interoffice Channel mileage is calculated per quarter airline mile between two directly connected central office's on the ring. Interoffice Channel mileage is computed by using the V&H coordinates method as set forth in the NATIONAL EXCHANGE CARRIER ASSOCIATION, INC. TARIFF FCC. No. 4. To determine the rate to be billed, multiply the appropriate per quarter mile rate by the distance involved. Fractions of a quarter mile always round up to the next quarter mile before determining the mileage and applying the rate

SECTION 7 - DEDICATED ACCESS SERVICES (Cont'd.)**7.4 Rate Regulations (Cont'd.)****7.4.7 Facility Hubs**

A customer has the option of ordering digital high capacity facilities (i.e., DS1, DS1C, DS2 or DS3) to a facility Hub for channelizing to individual services requiring lower capacity facilities (e.g., Voice, etc.).

Different locations may be designated as Hubs for different facility capacities, e.g., channelization from digital to digital may occur at one location while channelization from digital to analog may occur at a different location. When ordering, the customer will specify the desired channelization Hub(s) selected from the National Exchange Carrier Association Tariff FCC. No. 4. This Tariff identifies the type(s) of channelization functions which are available and the serving wire centers at which they are available.

Some of the types of channelization available include the following:

- from higher to lower bit rate
- from digital to voice frequency channels

End to end services may be provided on channels of these facilities to a hub. The transmission performance for the end to end service provided between customer designated premises will be that of the lower capacity or bit rate. For example, when a 1.544 Mbps facility is channelized to voice frequency channels, the transmission performance of the channelized services will be Voice Grade (a.k.a. CCFLC SPA DS0 VG), not High Capacity (a.k.a. CCFLC SPA High Capacity).

The Company will commence billing the monthly rate for the facility to the Hub on the date specified by the customer on the service order. Individual services utilizing these facilities may be installed coincident with the installation of the facility to the Hub or may be ordered and/or installed at a later date, at the option of the customer. The customer will be billed for a digital Local Channel, Interoffice Channel (when applicable) and the Basic Channelization System at the time the facility is installed. DS1 and DS0 Basic Channelization Systems require a Central Office Channel Interface for activation of each lesser capacity channel. DS3 to DS1 channelization arrangements, for transport of intrastate DS1 service high capacity channels via SPA Point to Point Network and Dedicated Ring, require a DS1 channel interface for activation of each DS1 channel. Individual service rates (by service type) will apply for a Local Channel and additional Interoffice Channel and Central Office Channel Interface(s) (as required) for each channelized service. These will be billed to the customer as each individual service is installed.

Cascading channelization occurs when a digital channel is channelized to provide channels with a lesser capacity and one of the lesser capacity channels is further channelized. For example, a High Capacity (a.k.a. CCFLC SPA High Capacity) facility is channelized to individual Voice Grade (a.k.a. CCFLC SPA DS0 VG) channels.

SECTION 7 - DEDICATED ACCESS SERVICES (Cont'd.)**7.4 Rate Regulations (Cont'd.)****7.4.7 Facility Hubs (Cont'd.)**

When cascading channelization is performed, whether in the same or a different Hub, a charge for the additional Basic Channelization System and Central Office Channel Interface(s) also applies. A DS1 Basic Channelization System and DDAS (a.k.a. CCFLC SPA DS0 Digital Data) Central Office Channel Interface are required for high speed or low speed DDAS (a.k.a. CCFLC SPA DS0 Digital Data) activations when channelized from a DS1 (1.544 Mbps) channel. A DS0 Basic Channelization System and Subrate Central Office Channel Interface are required for subrate activations of 2.4, 4.8 and 9.6 Kbps when channelized from a DS0 (64 Kbps) channel. When cascading channelization is performed at different Hubbing locations, Interoffice Channel charges also apply between the Hubs.

7.4.8 Shared Use Analog and Digital High Capacity (a.k.a. CCFLC SPA High Capacity) Services

Shared use occurs when Dedicated Access Services and CCFLC SWA are provided over the same High Capacity (a.k.a. CCFLC SPA High Capacity) facility through a common interface. The facility will be ordered and rated as Dedicated Access Services (i.e., Local Channel, Interoffice Channel, as appropriate, and Basic Channelization System and Central Office Interface(s), if applicable) until such time as the customer chooses to use a portion of the available capacity for providing CCFLC SWA as set forth in 5.2.8 of this Tariff. As each individual channel is activated for CCFLC SWA, the Dedicated Access Local Channel rates, Interoffice Channel rates, and Basic Channelization System rates, if applicable, will be reduced accordingly. For SPA Shared Ring the rates will be reduced by 1/48th for each CCFLC SWA VG Circuit. The customer must place an order for each individual Switched or Dedicated Access Service utilizing the Shared Use Facilities and specify the channel assignment for each such service. CCFLC SWA rates and charges as set forth in E6.8 of this Tariff will apply for each channel of the shared use facility that is used to provide CCFLC SWA. Where Dedicated Access Service is provided utilizing a channel(s) of the shared use facility to the Hub, High Capacity (a.k.a. CCFLC SPA High Capacity) rates and charges will apply for the facility to the Hub as set forth preceding and individual service rates and charges will apply from the Hub to the customer designated premises. The rates and charges that will apply to the portion from the Hub to the customer designated premises will be dependent on the specific type of Dedicated Access Service that is provided (e.g., Voice Grade (a.k.a. CCFLC SPA DS0 VG), Digital Data Access (a.k.a. CCFLC SPA DS0 Digital Data) service, etc.). The applicable rates and charges will include a Local Channel and Interoffice Channel, if applicable.

SECTION 7 - DEDICATED ACCESS SERVICES (Cont'd.)**7.4 Rate Regulations (Cont'd.)****7.4.8 Shared Use Analog and Digital High Capacity (a.k.a. CCFLC SPA High Capacity) Services (Cont'd.)**

Access Collocation Cross-Connects provide a means for customers to interconnect their CCFLC Shared Use and Digital High Capacity (a.k.a. CCFLC SPA High Capacity) services to Central Office Collocation arrangements within the same Central Office. Terms, conditions, and rates for Physical Access Collocation Cross-Connects and Virtual Access Collocation Cross-Connects are set forth in Section 13 of this Tariff.

The capability exists for a customer to utilize all or part of a Dedicated Ring to transport switched access provided the Dedicated Ring channel interface transporting the CCFLC SWA service does not have SPA Customer Reconfiguration capability. The customer must place an order for each individual CCFLC SWA Channel provided over Dedicated Access service Shared Use Facilities and specify the channel assignment for each such service. The switched traffic would enter and exit the Dedicated Ring at Customer and Central Office Nodes on that network. When this occurs, ratcheting of Dedicated Access rate elements (i.e. Nodes, Channel Interfaces, Local Channels, Alternate Central Office Channels, Internodal Channels, or Interoffice Channels) will be based on the number of voice grade (a.k.a. CCFLC SPA DS0 VG) equivalent trunks/lines of that rate element used for CCFLC SWA access.

Reduction factors will be developed to reduce the charges on system level billing as well as the billing on individual DS1, DS3, STS-1, OC-3, and/or OC-12 Channel Interfaces. For ratcheting purposes, the system level charges include Customer Nodes, Central Office Nodes, Local Channels, Alternate Central Office Channels, Intermodal Channels, and Interoffice Channels as appropriate to make up a customer's Dedicated Ring. Individual OC-1, OC-3 and OC-12 Channel Interfaces used in Overlay Ring Arrangements will be ratcheted as system level charges. The system reduction factor will apply to the system level charges.

SECTION 7 - DEDICATED ACCESS SERVICES (Cont'd.)**7.4 Rate Regulations (Cont'd.)****7.4.8 Shared Use Analog and Digital High Capacity (a.k.a. CCFLC SPA High Capacity) Services (Cont'd.)**

The system reduction factor will be derived by dividing the number of activated CCFLC SWA access circuits by the voice grade (a.k.a. CCFLC SPA DS0 VG) channel equivalent capacity of the self-healing ring. An OC-1 Dedicated Ring has 672 voice grade (a.k.a. CCFLC SPA DS0 VG) equivalent channels. An OC-3 Dedicated Ring has 2,016 voice grade (a.k.a. CCFLC SPA DS0 VG) equivalent channels. An OC-3+ or OC-12 Dedicated Ring has 8,064 voice grade equivalent channels. An OC-48 Dedicated Ring or OC-48+ Dedicated Ring with 48 or less activated DS3s has 32,256 voice grade (a.k.a. CCFLC SPA DS0 VG) equivalent channels. However, when an OC-48+ Dedicated Ring is used to transport CCFLC SWA service, and more than 48 equivalent DS3s are activated on the service, the factor will be based upon the actual number of activated DS3s times 672 DS0s. A factor for individual DS3 channel interfaces and 28 DS1 channel systems, will be derived by dividing the number of activated CCFLC SWA access circuits associated with the DS3 channel by the voice grade (a.k.a. CCFLC SPA DS0 VG) equivalent capacity of the DS3 channel. A DS3 has 672 voice grade (a.k.a. CCFLC SPA DS0 VG) equivalent channels. For DS1 channel interfaces, a factor is derived by dividing the number of CCFLC SWA access circuits associated with the DS1 channel by the voice grade (a.k.a. CCFLC SPA DS0 VG) equivalent capacity of the DS1 channel, which is 24. Each reduction factor is rounded to four decimal places and then multiplied against the respective monthly charges to determine the reduction amount.

CCFLC SWA rates and charges as set forth in 6.8 preceding will apply for each channel of the shared use facility that is used to provide CCFLC SWA. Where Dedicated Access service is provided utilizing a channel(s) of the shared use facility to the Hub, Wideband Analog (a.k.a. CCFLC SPA Wideband Analog) or High Capacity (a.k.a. CCFLC SPA High Capacity) rates and charges will apply for the portion of the facility ordered as Dedicated Access to the Hub as set forth preceding and individual service rates and charges will apply from the Hub to the customer designated premises for the Dedicated Access services ordered. The rates and charges that will apply to the portion from the Hub to the customer designated premises will be dependent on the specific type of Dedicated Access service that is provided (e.g., Voice Grade (a.k.a. CCFLC SPA DS0 VG), Telegraph (a.k.a. CCFLC SPA Telegraph), etc.). The applicable rates and charges will include a local channel, interoffice channel, if applicable. Rates and charges for optional features and functions associated with the service, if any, will apply as set forth in 7.5 following.

SECTION 7 - DEDICATED ACCESS SERVICES (Cont'd.)**7.4 Rate Regulations (Cont'd.)****7.4.9 SPA Customer Reconfiguration****A. General**

SPA Customer Reconfiguration is an optional feature that enables the customer to monitor and reconfigure his Voice Grade (a.k.a. CCFLC SPA DS0 VG), DDAS (a.k.a. CCFLC SPA DS0 Digital Data), and High Capacity (a.k.a. CCFLC SPA High Capacity) dedicated access services without the direct intervention of Company personnel.

1. Basic SPA Customer Reconfiguration Basic SPA Customer Reconfiguration service (a.k.a. CCFLC SPA Customer Reconfiguration) includes monitoring and reconfiguration of the customer's private line services equipped with SPA Customer Reconfiguration service (a.k.a. CCFLC SPA Customer Reconfiguration).

Monitoring consists of unsolicited signals of major and minor facility alarms. These alarms include carrier group alarms, out of service alarms, bit error rate, bipolar violations, slip errors, errored seconds, out-of-frame alarms and invalid connections. Invalid connections are connections between special access services with incompatible signals or between services without SPA Customer Reconfiguration service (a.k.a. CCFLC SPA Customer Reconfiguration). Customer requests for such connections will be denied. The Company shall not be responsible for service interruptions, troubles, loss of customer data, or any other losses resulting from attempted invalid connections.

Reconfiguration provides the customer with the ability to direct the Company to connect or disconnect circuits equipped with SPA Customer Reconfiguration options to or from each other's of like kind at a central office or central offices where the customer has purchased SPA Customer Reconfiguration service. Such connections and disconnections may be performed immediately or at a future time prescribed by the customer and are performed without direct interaction by Company personnel.

SECTION 7 - DEDICATED ACCESS SERVICES (Cont'd.)**7.4 Rate Regulations (Cont'd.)****7.4.9 SPA Customer Reconfiguration (Cont'd.)****A. General (Cont'd.)****1. (Cont'd.)**

The customer is responsible for providing the terminal equipment required for access to SPA Customer Reconfiguration. The customer may transmit reconfiguration directions to or receive monitoring information from the Company over a switched service or a private line service. There are several types of access to the service listed in the General Subscriber Service Tariff from which the customer may choose. The type of access chosen will indicate the type of service the customer must provide to a Company location. Each SPA Customer Reconfiguration service (a.k.a. CCFLC SPA Customer Reconfiguration) customer must purchase at least one type of access.

Outside of the Company exchange or region, the customer must provide service from his terminal location to the designated Company location from which he may receive monitoring information or transmit reconfiguration directions.

With the customer's initial order for basic SPA Customer Reconfiguration, the Company provides the capability for "User Access" for monitoring and reconfiguration signals. One customer identification code with password security is included with such access.

With the customer's initial order, the Company provides one customer training class for up to five (5) persons. The class length of this initial training is two consecutive eight hour days. These training classes are conducted at a designated Company location. Transportation, lodging and food for the attendees will be the responsibility of the customer. If the customer desires for the initial training to be conducted on his premises, then the customer is responsible for the transportation, lodging and food for the trainer. In addition, the customer is responsible for having the appropriate equipment on his premises.

SECTION 7 - DEDICATED ACCESS SERVICES (Cont'd.)**7.4 Rate Regulations (Cont'd.)****7.4.9 SPA Customer Reconfiguration (Cont'd.)****A. General (Cont'd.)****1. (Cont'd.)**

Reconfiguration and monitoring are not available during the performance of routine maintenance of the Company's facilities and equipment used to provide SPA Customer Reconfiguration.

The Local and Interoffice Channels, which are terminated into SPA Customer Reconfiguration are subject to all regulations and charges contained in their respective sections of this Tariff in addition to those contained herein. Different switching options may be available in the same central office. If customers desire more than one switching option in the same central office and facilities are available, a channel connection is required for each SPA Customer Reconfiguration switching option connected. SPA Customer Reconfiguration is furnished only in serving wire centers where facilities are available.

2. Customer Circuits

There are three types of channel connections, which can be connected to SPA Customer Reconfiguration - DS0 (Single channel), DS 1 (1.544 Mbps) and DS3 (44.736Mbps) digital circuits. DS0 Channel Connections - There are two types of DS0 channel connections - Voice Grade (a.k.a. CCFLC SPA DS0 VG) and Digital (a.k.a. CCFLC SPA DS0 Digital Data). Both types of DS0 connections will be switched at a DS0 level.

DS1 Channel Connections - There are two types of connections available for a customer desiring to terminate a DS1 circuit - DS0 switching and DS1 switching. For example, if a customer needs to be able to monitor or reconfigure the 24 DS0 circuits riding on the DS1 channel, then the customer would purchase a DS1 channel connection with DS0 switching. If the customer does not need access to the individual DS0 circuits, then the customer would purchase a DS1 channel connection with DS1 switching. A monitoring only option (i.e., surveillance) is also provided for DS1 channel connections. This option may also be used for terminating SWA DS1 channels.

SECTION 7 - DEDICATED ACCESS SERVICES (Cont'd.)**7.4 Rate Regulations (Cont'd.)****7.4.9 SPA Customer Reconfiguration (Cont'd.)****A. General (Cont'd.)****2. Customer Circuits (Cont'd.)**

DS3 Channel Connections (Monitoring Only) - There are two types of connections available for terminating a DS3 circuit - DS1 and DS3. This option provides for termination of SWA and SPA DS3 channels for monitoring purposes only (i.e., surveillance). If the customer needs monitoring for 28 DS1 circuits, then the customer would purchase a DS3 channel connection at DS1 level. The customer would purchase a DS3 channel connection at DS3 level if the customer wants to monitor the entire DS3 circuit.

3. SPA Customer Reconfiguration Options

- a. **Additional Concurrent User Access:** This option provides the customer the ability to establish additional concurrent connections to the Company for the communication of monitoring and reconfiguration signals. One additional customer identification code is provided with each additional User Access. For each Additional Concurrent User Access ordered, the customer must also order an additional Management Terminal Interface from the General Subscriber Service Tariff.
- b. **Additional User Identification Codes:** This option provides customer identification codes in addition to that provided with each User Access. If the customer has a Dial Access to SPA Customer Reconfiguration, then the customer must also order an additional Security Card from the General Subscriber Service Tariff.
- c. **Additional Customer Training:** This option provides one eight hour day of customer training in addition to that included with basic SPA Customer Reconfiguration service (a.k.a. CCFLC SPA Customer Reconfiguration). These training classes are conducted at a designated Company location. All other terms that apply for the initial training apply for the subsequent training.

SECTION 7 - DEDICATED ACCESS SERVICES (Cont'd.)**7.4 Rate Regulations (Cont'd.)****7.4.9 SPA Customer Reconfiguration (Cont'd.)****A. General (Cont'd.)****3. SPA Customer Reconfiguration Options (Cont'd.)**

- d. **Multipoint Bridging:** Multipoint Bridging is a capability which permits the cross connection of multiple channels equipped with SPA Customer Reconfiguration.
- (1) Multipoint Bridging, sometimes referred to as "DMB", is an option on voice grade service that allows the customer the capability to perform reconfigurations that cross-connect or bridge three or more channels in the SPA Customer Reconfiguration service (a.k.a. CCFLC SPA Customer Reconfiguration) arrangement into one conferencing arrangement.
- (2) Multipoint Junction Unit option gives the customer the ability to bridge one master and four patron legs for use with Digital Data Access (a.k.a. CCFLC SPA DS0 Digital Data) service. If more than one MJU is required. One of the four patron legs must be used to connect to the master leg of another MJU. The customer is responsible for this connection. The MJU feature is only offered in a unit of five channel connections (one master and four legs).
- e. **Subrate Reconfiguration Capability** is an option that provides the customer the ability to control all ports of a subrate multiplexer within a SPA Customer Reconfiguration service (a.k.a. CCFLC SPA Customer Reconfiguration) arrangement. This control includes both the DS0B channel and DS0A legs. The speeds for sub rates are 2.4, 4.8, and 9.6 Kbps (does not include 19.2 Kbps). The customer has the responsibility to establish a subrate system using previously acquired DS0 ports.
- f. **Reconfigurations by Company Personnel:** The customer may request that Company personnel intervene to perform reconfigurations that the customer could otherwise perform without the direct intervention of Company personnel.

SECTION 7 - DEDICATED ACCESS SERVICES (Cont'd.)

7.4 Rate Regulations (Cont'd.)

7.4.9 SPA Customer Reconfiguration (Cont'd.)

A. General (Cont'd.)

4. Shared SPA Customer Reconfiguration Arrangement

Multiple customers may include circuits with the SPA Customer Reconfiguration option in the same SPA Customer Reconfiguration service (a.k.a. CCFLC SPA Customer Reconfiguration) arrangement, provided all customers designate in writing the same party to serve as their agent. (A SPA Customer Reconfiguration service (a.k.a. CCFLC SPA Customer Reconfiguration) arrangement consists of all dedicated access services with SPA Customer Reconfiguration service (a.k.a. CCFLC SPA Customer Reconfiguration) that can be monitored and reconfigured through the same User Access.)

The agent will be authorized to represent each of those customers in all transactions and communications with the Company regarding the shared SPA Customer Reconfiguration arrangement or circuits included in that arrangement including reconfigurations, monitoring, ordering of additional dedicated access services and SPA Customer Reconfiguration service (a.k.a. CCFLC SPA Customer Reconfiguration) options in the arrangement, and removal of dedicated access services from the arrangement. The Company will not process any customer orders or requests affecting that arrangement of circuits included in that arrangement except those submitted to the Company by the agent.

The Company will not be liable for any loss to any of the customers in a shared SPA Customer Reconfiguration arrangement caused directly or indirectly by actions of the agent or another customer in the shared arrangement. Each customer in the shared arrangement and the agent indemnify the Company for the costs of any and all claims arising directly or indirectly out of the actions of the agent or another customer in the shared arrangement, including, but not limited to, the cost of defending against such claims.

Any customer in a shared SPA Customer Reconfiguration arrangement must give the Company 30 days prior written notice of his intent to revoke an agent's authority or to remove his dedicated access services from a shared arrangement.

SECTION 7 - DEDICATED ACCESS SERVICES (Cont'd.)**7.4 Rate Regulations (Cont'd.)****7.4.9 SPA Customer Reconfiguration (Cont'd.)****A. General (Cont'd.)****4. Shared SPA Customer Reconfiguration Arrangement (Cont'd.)**

Each customer in the shared arrangement and the agent indemnify the Company for the costs of any and all claims arising directly or indirectly out of the actions of the agent or another customer in the shared arrangement, including, but not limited to, the cost of defending against such claims.

Any customer in a shared SPA Customer Reconfiguration arrangement must give the Company 30 days prior written notice of his intent to revoke an agent's authority or to remove his dedicated access services from a shared arrangement. Such notice shall not be effective unless it provides the Company with specific and sufficient directions regarding treatment of the customer's dedicated access services upon revocation of the agent's authority or removal from the shared arrangement.

5. Access Collocation Cross-Connects

Access Collocation Cross-Connects provide a means for customers to interconnect their SPA Customer Reconfiguration to Central Office Collocation arrangements within the same Central Office. Terms, conditions, and rates for Physical Access Collocation Cross-Connects and Virtual Access Collocation Cross-Connects are set forth in Section 13 of this Tariff.

B. Application of Rates**1. Basic SPA Customer Reconfiguration****a. Connection of Dedicated Access Services to Reconfiguration and Alarm Monitoring Capability.**

A DS0/DS1/DS3 nonrecurring Connection Charge and a recurring monthly rate is required for each entrance and exit of a dedicated access channel to reconfiguration and monitoring capability. Charges for Access to SPA Customer Reconfiguration are contained in 7.5.16 following.

SECTION 7 - DEDICATED ACCESS SERVICES (Cont'd.)**7.4 Rate Regulations (Cont'd.)****7.4.9 SPA Customer Reconfiguration (Cont'd.)****B. Application of Rates****2. SPA Customer Reconfiguration Options**

- a. Additional Concurrent User Access For each Additional Concurrent User Access a nonrecurring charge and a recurring monthly rate applies.
- b. Additional User Identification Codes A nonrecurring charge applies for each additional ID requested.
- c. Additional Customer Training Any additional training will incur a nonrecurring charge for each eight (8) hour day of training.
- d. Multipoint Bridging Multipoint Bridging (DMB) There will be a nonrecurring charge and a monthly rate for each DS0 or equivalent that is equipped with this capability.

Multipoint Junction Unit

A nonrecurring charge and a monthly rate applies for each DS0 or equivalent that is equipped with this capability. This option must be purchased in groups of 5 because a unit has the capacity of 5 DS0 or equivalent channel connections.

- e. Subrate Reconfiguration

There will be a nonrecurring charge for each DS0 equipped DS0B and a nonrecurring charge and a monthly rate will apply for each set of DS0As. The DS0A rates apply in sets of five for 9.6 Kbps, in sets of ten for 4.8 Kbps, and in sets of twenty for 2.4 Kbps.

- f. Reconfigurations by the Company Personnel

A nonrecurring charge is applicable on each occasion, when the customer requests Company personnel to perform a reconfiguration or a series of reconfigurations in order to set up point-to-point or multipoint connections, to provide a status report or to establish a conference.

SECTION 7 - DEDICATED ACCESS SERVICES (Cont'd.)**7.4 Rate Regulations (Cont'd.)****7.4.9 SPA Customer Reconfiguration (Cont'd.)****B. Application of Rates (Cont'd.)****3. Contract Plans**

Contract rates for SPA Customer Reconfiguration are available in 7.5.16 under conditions specified in the Channel Services Payment Plan in 2.4 of this Tariff.

Termination Liability is applicable at the date of termination. The applicable charge will be fifty percent (50%) for contracts that have been in effect twelve months (12) or less, or twenty percent (20%) for contracts that have been in effect longer than twelve months (12). Termination Liability will not apply for customer requests for moves of service under CSPP subject to the provisions set forth in 2.4.9.A.8 preceding.

7.4.10 Derived Data Channel Service (DDCS) (a.k.a. CCFLC SPA Derived Data Channel)**A. Application of Rates**

The derived data channel charges provide the central office data/voice multiplexing capability. The customer must also subscribe to a compatible two-wire local exchange line (e.g., business exchange line, ESSX service, Digital ESSX service, MultiServ service, MultiServ PLUS service, or CCFLC Centrex service main station line). This two-wire exchange line and its associated rates and charges are in addition to the derived data channel rates and charges.

The DS0-B interface charge is applicable for each group of a maximum of twenty multiplexed derived data channels. Each of the twenty channels in a DS0-B interface channel group operates at a bit rate of 2.4 Kbps. The interoffice channel is required when the customer's serving wire center and the serving wire center of the customer's terminating premises are not the same.

SECTION 7 - DEDICATED ACCESS SERVICES (Cont'd.)**7.4 Rate Regulations (Cont'd.)****7.4.11 Dedicated Ring****A. Self-healing Multi-nodal Alternate Route Topology Ring**

1. Monthly rates and charges as specified in 7.5.18 following apply for each Dedicated Ring). Customers must specify network capacity at the time of the initial order. In an Overlay Ring Arrangement where a customer's overlaying Dedicated Ring rides the customer's host Dedicated Ring, the overlay ring will share the transport of the host ring between common node locations. Rate categories at OC-3, OC-3+, OC-12, OC-24, OC-48, OC-48+, OC-192 and OC-192+ capacity levels include Customer Nodes, Central Office Nodes, Local Channels, Alternate Central Office Channels, Interoffice Channels and Internodal Channels. OC-24 Dedicated Ring is only available to existing CSPP customers or under month-to-month arrangements. Rate categories for OC-I Dedicated Ring include Customer Nodes and Central Office Nodes. Channel Interfaces are required at each node on the network and must be associated with a Dedicated Ring. An OC-1 Overlay Ring Arrangement requires an OC-1 Channel Interface at each node involved. An OC-3 Overlay Ring Arrangement requires an OC-3 Channel Interface at each node involved. An OC-3+ or OC-12 Overlay Ring Arrangement requires an OC-12 Channel Interface at each node involved. An OC-48 or OC-48+ Overlay Ring Arrangement requires an OC-48 Channel Interface at each node involved. In Overlay Ring Arrangements, the customer must order a Channel Interface for each entry to or exit from the host ring. In all other situations, the number of Channel Interfaces ordered will depend on whether the customer desires a working interface, or a working interface and a protection interface. The quantity of channel interfaces ordered may not exceed the capacity ordered. When a 28 DS1 Channel System is utilized to activate DS1 channels, the appropriate number of DS1 Channel Interfaces are required in lieu of an originating or terminating DS3 or STS-1 Channel Interface.

SECTION 7 - DEDICATED ACCESS SERVICES (Cont'd.)**7.4 Rate Regulations (Cont'd.)****7.4.11 Dedicated Ring (Cont'd.)****A. Self-healing Multi-nodal Alternate Route Topology Ring (Cont'd.)**

2. Nonrecurring charges for Local, Alternate Central Office, Interoffice and Internodal Channels apply for each channel for month-to-month customers. Nonrecurring charges are not applicable when the ring level rate elements and channel interfaces are ordered under TPP arrangements. Dedicated Ring ring level rate elements are defined as following: Local Channel, Interoffice Channel, Intermodal Channel, Alternate Central Office Channel, Customer Node and Central Office Node. Nonrecurring charges do apply for the Channel Interface Reallocation rate element and the Dedicated Ring rearrangement rate elements (Surveillance and Reconfiguration) for CSPP and TPP customers. When the customer requests two separate routes and the routing is provided as described in 7.2.16.A preceding, charges apply for the Local Channels and any Interoffice Channels on the requested route. Recurring charges for Local, Alternate Central Office, Interoffice and Intermodal Channels apply for each quarter air mile increment of the channel. Fractions of a quarter mile will always round up to the next quarter air mile before determining the mileage and applying the rate. For channels which are less than one quarter mile, a minimum charge of one quarter mile applies.
3. For Internodal Channels, charges apply as appropriate either for the same wire center area or contiguous serving wire center areas, as specified in 7.5 18.A.4.
4. Nonrecurring charges for Customer Nodes and Central Office Nodes apply per node for month-to-month customers and are based upon the capacity of the ring configuration. Nonrecurring charges are not applicable when the preceding rate elements are ordered under TPP arrangements. Recurring rates for Customer and Central Office Nodes apply per node and are also based upon the capacity of the ring configuration.
5. When the customer orders an OC-1 Dedicated Ring Overlay Ring Arrangement riding the customer's host OC-12, OC-48, or OC-48+ Dedicated Ring, recurring charges apply per OC-1 Customer Node and/or OC-1 Central Office Node, in addition to the recurring and nonrecurring charges for associated Channel Interfaces.

SECTION 7 - DEDICATED ACCESS SERVICES (Cont'd.)**7.4 Rate Regulations (Cont'd.)****7.4.11 Dedicated Ring (Cont'd.)****A. Self-healing Multi-nodal Alternate Route Topology Ring (Cont'd.)**

6. When the customer orders an OC-3 Dedicated Ring service Overlay Ring Arrangement riding the customer's host OC-12, OC-48, OC-48+, OC-192 or OC-192+ Dedicated Ring, recurring charges apply per OC-3 Customer Node and/or OC-3 Central Office Node, in addition to the recurring and nonrecurring charges for associated Channel Interfaces. Nonrecurring charges only apply for month-to-month customers.
7. When the customer orders an OC-3+ or OC-12 Overlay Ring Arrangement riding the customer's host OC-48, OC-48+, OC-192 or OC-192+ Dedicated Ring, recurring charges apply per OC-3+ and/or OC-12 Customer Node and/or per OC-3+ and/or OC-12 Central Office Node, in addition to the charges for associated Channel Interfaces. Nonrecurring charges only apply for month-to-month customers.
8. In all Overlay Ring Arrangements, the number of OC-1, OC-3, and/or OC-12 Channel Interfaces required will be based upon the characteristics of the overlaying ring.
9. The rates for Customer Channel Interfaces apply for each origination and for each termination of an activated DS1, DS3, STS- 1, OC-3, OC-12, OC-48 and/or 1000 Mbps at the Customer Node. For interfaces ordered on a month-to-month basis the nonrecurring charge applies per interface. For interfaces ordered under CSPP, nonrecurring charges are established on a per order basis for the first DS1, DS3, STS-1, OC-3 and/or OC-12 which originates or terminates at a Customer Node and for each additional DS1, DS3, STS-1, OC-3, and/or OC-12 which originates or terminates at the same Customer Node. For interfaces ordered under TPP, there are no nonrecurring charges associated with the installation. The recurring rate applies on a per Customer Node basis for each origination and for each termination of an activated DS3 and/or DS1 at a Customer Node.

SECTION 7 - DEDICATED ACCESS SERVICES (Cont'd.)**7.4 Rate Regulations (Cont'd.)****7.4.11 Dedicated Ring (Cont'd.)****A. Self-healing Multi-nodal Alternate Route Topology Ring (Cont'd.)**

10. In addition, OC-12 and or OC-48 customers with DS3 and/or STS1 interfaces at the Customer Node electing to connect with DS1 services at a Central Office Node, must obtain a 28 DS1 Channel System and the appropriate number of DS1 Channel Interfaces in lieu of a DS3 or STS-1 Channel Interface. A maximum of 28 DS1 Channel Interfaces can be activated for each 28 DS1 Channel System utilized. For service ordered under CSPP, nonrecurring charges are established on a per order basis for the first 28 DS1 Channel System and for each additional 28 DS1 Channel System at that same Central Office Node. Nonrecurring charges are also established for the first DS1 Channel Interface which originates/terminates in a 28 DS1 Channel System and each additional DS1 Channel Interface which originates/terminates in that same DS1 Channel System. For DS1 Channel Systems ordered under TPP, nonrecurring charges do not apply. For DS1 Channel Systems ordered on a month-to-month basis, nonrecurring charges apply. The recurring rate applies for each 28 DS1 Channel System and each DS1 Channel Interface activated per Central Office Node.
11. A nonrecurring charge applies for Dedicated Ring Surveillance, one for each Customer Node and each Central Office Node, per Dedicated Ring rearranged. A nonrecurring charge applies for Reconfiguration, one per reconfiguration of each STS-1 group at each node where such reconfiguration capability is desired. These rate elements apply when the Customer adds SPA Customer Reconfiguration to an existing Dedicated Ring as set forth in 7.2.16.A preceding. Reconfiguration is not available with 100 Mbps and 1000 Mbps CCFLC Metro Ethernet Backbone interfaces.
12. For CSPP customers, first and additional nonrecurring charges will be applied when ordering the same rate element between the same locations with the same installation date. First and additional nonrecurring changes are not applicable under TPP arrangements.

SECTION 7 - DEDICATED ACCESS SERVICES (Cont'd.)**7.4 Rate Regulations (Cont'd.)****7.4.11 Dedicated Ring (Cont'd.)****A. Self-healing Multi-nodal Alternate Route Topology Ring (Cont'd.)**

13. Dedicated Ring purchased prior to August 23, 1996, is available under several CSPP arrangements: Plan A (24-48 Months), Plan B (49-72 Months) or Plan C (73-96 Months). Renewals of existing Dedicated Ring or purchases of new Dedicated Ring on or after August 23, 1996, will only be available under TPP arrangements. In order to accommodate more flexible customer situations, Dedicated Ring is available under several TPP arrangements: Plan A (12-36 Months), Plan B (37-60 Months) or Plan C (61-96 Months). Month-to-month arrangements (with a minimum of four months) are available for Dedicated Ring.
14. CSPP and TPP arrangements are provided under the terms and conditions specified in E2.4.9 preceding, except as modified following. For all payment plans, the following regulations apply:
 - a. Dedicated Ring, whether initially or subsequently ordered in conjunction with Dedicated Ring, must be provided under the same TPP payment plan with the same service period and both services are to be coterminous.
 - b. All rate elements, for a given Dedicated Ring, whether initially or subsequently ordered, must be provided under the same payment plan with the same service period and are coterminous upon disconnect of the Dedicated Ring. However, Channel Interfaces, except those utilized to interface an overlaying ring with its host ring, may be provided under a month-to-month arrangement which is equal to or less than the payment plan for the associated Dedicated Ring. Customers with Channel Interfaces provided under a CSPP payment period which began prior to August 22, 1994, may convert those Channel Interfaces to a month-to-month or payment plan arrangement which is equal to or less than the payment plan for the associated Dedicated Ring, at the current rates and charges.

SECTION 7 - DEDICATED ACCESS SERVICES (Cont'd.)**7.4 Rate Regulations (Cont'd.)****7.4.11 Dedicated Ring (Cont'd.)****A. Self-healing Multi-nodal Alternate Route Topology Ring (Cont'd.)**

14. c. In a shared network arrangement, where the host subscriber and the connecting service user subscribes to services under CSPP or TPP arrangements, the payment periods for directly associated channelized rate elements must be equal to or less than the payment periods for the host service, or the service user must order those rate elements under month-to-month payment terms. Where the host subscriber receives services under month-to-month payment terms, a connecting user must also receive directly associated channelized rate elements under month-to-month payment terms.
15. The rates applicable to a month-to-month payment plan are subject to Telephone Company initiated charges.
16. For CSPP customers, a termination liability charge will be applicable if services are disconnected prior to the end of the chosen service period. The applicable charge is equal to the number of months remaining in the rate stabilized service period times 60 percent of the monthly rates for Dedicated Ring which includes all Nodes, Channel Interfaces, Local Channels, Alternate Central Office Channels, Internodal Channels and/or Interoffice Channels provided under the CSPP arrangement. Termination liability charges for Dedicated Ring TPP customers are applicable as specified in 2.4.9.C preceding.
17. When a service period under an existing CSPP or TPP arrangement is completed and a customer elects to revert to a month-to-month payment option, no minimum period is applicable.
18. The TPP customer of record will have a 60 day grace period after which month-to-month rates will apply.

SECTION 7 - DEDICATED ACCESS SERVICES (Cont'd.)**7.4 Rate Regulations (Cont'd.)****7.4.11 Dedicated Ring (Cont'd.)****A. Self-healing Multi-nodal Alternate Route Topology Ring (Cont'd.)**

19. Customers may upgrade from a lower capacity Dedicated Ring to a higher capacity Dedicated Ring without incurring any termination charges if the following conditions are met:
 - a. the order for the upgraded Dedicated Ring and the order for the disconnect of the existing Dedicated Ring are received by the Telephone Company at the same time.
 - b. the new Dedicated Ring is provided between the same customer and Central Office locations as the discontinued Dedicated Ring.
 - c. the number of Channel Interfaces activated under the new capacity Dedicated Ring is greater than the number of Channel Interfaces activated under the existing capacity Dedicated Ring.
 - d. the expiration date of the new Dedicated Ring payment plan is subsequent to the payment plan of the ring being discontinued.
20. Customers may also upgrade existing Dedicated Ring to a new Dedicated Ring of the same capacity without incurring a termination liability charge, if the customer is concurrently ordering a new capability which cannot be provisioned with the existing Dedicated Ring and if the conditions set forth in 19 preceding are met.
21. Ring level billing is defined as billing for the following rate elements: Local Channel, Interoffice Channel, Intermodal Channel Alternate Central Office Channel, Customer Node and Central Office Node. Billing for Customer Channel Interfaces and Central Office Channel Interfaces recurring and nonrecurring charges will be effective upon activation to the Dedicated Ring.
22. If the Service Establishment Date extends beyond one year from the customer's order date due to Telephone Company reasons, the preceding conversion provisions apply. If the Service Establishment Date extends beyond one year from the customer's order date for other reasons, the preceding conversion provisions do not apply and billing for all recurring and nonrecurring charges will be effective with the Service Establishment Date.

SECTION 7 - DEDICATED ACCESS SERVICES (Cont'd.)**7.4 Rate Regulations (Cont'd.)****7.4.12 Zone Pricing**

- A. High Capacity (a.k.a. CCFLC SPA DS1) service (1.544 Mbps) is organized into three pricing zones. Rate levels for the Local Channel, Interoffice Channels and DS1 Basic Channelization will be billed in accordance with the pricing zone assignment of the serving wire center. The pricing zone assignment for each Company serving wire center is specified in the National Exchange Carrier Association (NECA) Tariff F.C.C. No. 4. Interoffice Channels, which terminate in offices in different zones will carry the higher rate. When interoffice channels are provided by more than one Telephone Company, this Company's portion of the circuit will be billed at the Zone Rate of this Company's central office, and the other Telephone Company's portion of that circuit will be billed in accordance with that Company's tariff, pursuant to 2.4.8 of this Tariff. Channelization rates will be determined by the location of the channelization arrangement.

7.4.13 Channels For Use With SPA Managed Shared Ring Network

- A. Rates and charges as specified in 7.5.19 following apply on a per On-Net or Off-Net SPA Managed Shared Ring Network DS1 or DS3 basis, as applicable. The minimum service period for each On-Net or Off-Net DS1 or DS3 SPA Managed Shared Ring Network channel is four months.
- B. SPA Managed Shared Ring Network is available in the CCFLC Telecommunication Inc.'s F.C.C. Tariff No. 1 under commitment plans as follows: Month-to-Month, Plan A (36 Months), or Plan B (60 Months). Month-to-Month rates are only available upon completion of a Plan A or Plan B commitment plan. Upon the completion of a Plan A or Plan B commitment period, the customer must establish a new commitment plan or billing will be changed to month-to-month. The rates in this Tariff for Channels For Use With SPA Managed Shared Ring Network will be based on time period for the commitment plan established for the service in the interstate tariff.
- C. The rates for Channels For Use With SPA Managed Shared Ring Network commitment plans are stabilized for the length of the plan selected for the service arrangement in the interstate tariff and are exempt from Company initiated increases, however, decreases will automatically flow through to the customer.

SECTION 7 - DEDICATED ACCESS SERVICES (Cont'd.)**7.4 Rate Regulations (Cont'd.)****7.4.13 Channels For Use With SPA Managed Shared Ring Network (Cont'd.)**

- D. Access Collocation Cross-Connects provide a means for customers to interconnect their Channels for use with SPA Managed Shared Ring Network to Central Office Collocation arrangements within the same Central Office. Terms, conditions, and rates for Physical Access Collocation Cross-Connects and Virtual Access Collocation Cross-Connects are set forth in Section 13 of this Tariff.
- E. SPA Managed Shared Ring Network can support either an Extended Super Frame format or a Super Frame format, provided that customer-provided equipment at collection and aggregation locations is compatible. The customer must advise the Company which of the two framing formats its customer provided equipment can support. The Company's monitoring and service performance guarantees for On-Net SPA Managed Shared Ring Network DS1s, however will depend upon the framing format chosen by the customer as follows:
1. For On-Net SPA Managed Shared Ring Network DS1s configured with Extended Super Frame equipment, the Company will credit 100 percent of the monthly charges for the affected SPA Managed Shared Ring Network in the event of a service outage of greater than 60 seconds. This credit will apply only once per monthly billing period.
 2. For On-Net SPA Managed Shared Ring Network DS1s not configured for Super Frame format and all Off-Net SPA Managed Shared Ring Network DS1s, the Company will credit the customer 100 percent of the monthly charges for the affected SPA Managed Shared Ring Network in the event of a service outage of greater than 10 minutes. This credit will apply only once per monthly billing period. The credit for the service connecting to the Off-Net SPA Managed Shared Ring Network DS1 will be credited based upon the regulations in the respective services' tariff section.

SECTION 7 - DEDICATED ACCESS SERVICES (Cont'd.)**7.4 Rate Regulations (Cont'd.)****7.4.13 Channels For Use With SPA Managed Shared Ring Network (Cont'd.)**

- F. The Company's monitoring and guarantees of the performance of the DS3 SPA Managed Shared Ring Network will be as follows:
1. For On-Net SPA Managed Shared Ring Network DS3s, the Company will credit 100 percent of the monthly charges for the affected SPA Managed Shared Ring Network in the event of a service outage of greater than 60 seconds. This credit will apply only once per monthly billing period.
 2. For Off-Net SPA Managed Shared Ring Network DS3s the Company will credit the customer 100 percent of the monthly charges for the affected SPA Managed Shared Ring Network in the event of a service outage of greater than 10 minutes. This credit will apply only once per monthly billing period. The credit for the service connecting to the Off-Net DS3 will be credited based upon the regulations in the respective services' tariff section.

7.4.14 SPA Shared Ring**A. Application of Rates**

Monthly rates and charges as specified in 7.5.17 following apply for each SPA Shared Ring. The transport provided within a SPA Shared Ring Area is provided at 1.544 Mbps. Rate categories include a SPA Shared Ring Area Connection, and a SPA Shared Ring Area Junction.

The SPA Shared Ring Area Connection rate element provides for the connection at the designated premises where the customer gains access to SPA Shared Ring and transport to a designated junction on the network. The SPA Shared Ring Area Junction rate element provides for the connection between the SPA Shared Ring network and (1) another customer designated premises, in the same SPA Shared Ring Area or (2) a serving wire center in the same SPA Shared Ring Area for connection to (a) DS1 Basic Channelization, SPA Customer Reconfiguration, Dedicated Ring or DS3 service as provided in Section 7 of this Tariff, or (b) a SPA Shared Ring Area Junction of another SPA Shared Ring area in the same Metropolitan Area.

Recurring and nonrecurring charges apply for each SPA Shared Ring Area Connection and SPA Shared Ring Area Junction.

SECTION 7 - DEDICATED ACCESS SERVICES (Cont'd.)**7.4 Rate Regulations (Cont'd.)****7.4.14 SPA Shared Ring (Cont'd.)****A. Application of Rates (Cont'd.)**

SPA Shared Ring is available under several payment plans: Month-to-month (with a 4 month minimum), Plan A (24-48 Months), or Plan B (49-72 Months). Plan A and Plan B are provided under conditions specified in the Channel Services Payment Plan (CSPP) 2.4.9.A. of this Tariff.

The rates applicable to a month-to-month payment plan are subject to Company initiated changes. Rates stabilized under CSPP are exempt from Company initiated increases, however, decreases for any rate element will automatically flow through to the customer. A SPA Shared Ring performance credit, as specified in 2.4.4.B. of this Tariff will apply. A termination liability charge will be applicable if services provided under a CSPP arrangement are disconnected prior to the end of the chosen service period. The termination charge is equal to the applicable rate per rate element for the current contract multiplied by the difference in months between the time the CSPP contract has been in effect and the minimum contract length multiplied times a factor. The factor is 50 percent for contracts that have been in effect twelve months or less, or 20 percent for contracts that have been in effect longer than twelve months.

7.4.15 CCFLC Metro Ethernet Service**A. General**

1. The minimum service period for CCFLC Metro Ethernet service is four (4) months.
2. CCFLC Metro Ethernet service is available 24 hours per day, 7 days per week, except for preventive maintenance. Due to the nature of CCFLC Metro Ethernet service it will be necessary to perform preventive maintenance and software updates. This will mean that CCFLC Metro Ethernet service will be unavailable during the period of time when preventive maintenance is being performed. This could result in the service being unavailable during the period between 1:00 AM and 5:00 AM Eastern Time on Sundays and Wednesdays. However, the Company reserves the right to perform maintenance at any time at its discretion that it believes such maintenance is necessary. The Company will make a reasonable effort to provide notice to those customers likely to be affected by such maintenance work.

SECTION 7 - DEDICATED ACCESS SERVICES (Cont'd.)**7.4 Rate Regulations (Cont'd.)****7.4.15 CCFLC Metro Ethernet Service****A. General**

3. Suspension of CCFLC Metro Ethernet service is not allowed.
4. Obligations of customer and Company:
 - (a) The Company is not responsible for the installation, operation or maintenance of any equipment provided by the customer.
 - (b) The customer is responsible for the provision and maintenance of all customer provided equipment and to insure that the operating characteristics of this equipment is comparable with and does not interfere with the service offered by the Company.
 - (c) At the CCFLC Metro Ethernet service Connection point the customer's signals must conform to IEEE Standards 802.3, 802.3u or 802.3z. To meet end-to-end delay requirements contained in these aforementioned standards, the customer may be required to provide additional equipment.
5. In some cases, the Company and another Incumbent Local Exchange Company (ILEC) may agree to jointly provide a customer Metro Ethernet Service. The rates and charges for the CCFLC Metro Ethernet service Connection are applicable for such connectivity; charges for CCFLC Metro Ethernet Additional Mileage are also applicable when the mileage from the CCFLC/ILEC meet-point to the CCFLC Metro Ethernet wire center associated with the service is over ten (10) miles. The Company is only responsible for the ordering, provisioning, maintaining and billing of such service up to the meet-point (i.e., demarcation point with the ILEC). CCFLC Metro Ethernet service SLA credits shall only be applicable for the portion of the service provided within the territory of the Company; such credits are appropriate only for missed commitments determined to be the fault of the Company.

SECTION 7 - DEDICATED ACCESS SERVICES (Cont'd.)**7.4 Rate Regulations (Cont'd.)****7.4.15 CCFLC Metro Ethernet Service (Cont'd.)****A. General (Cont'd.)**

6. Basic, Premium and Virtual CCFLC Metro Ethernet Service Connections of 10 Mbps or higher may alternatively be provided to a customer premises over the customer's SPA Dedicated Ring).

The customer is required to purchase the appropriate SPA Dedicated Ring) CCFLC Metro Ethernet Backbone interfaces that are a bandwidth equal to the bandwidth of the CCFLC Metro Ethernet Service backbone transport that is standard for the specific type and speed of CCFLC Metro Ethernet Service Connection serving that customer premises. (A chart is provided herein which sets forth the backbone bandwidth of each type and speed of CCFLC Metro Ethernet Service Connection.) Standard CCFLC Metro Ethernet Service features are available on such alternative arrangements, with the exception that Automatic Protection Switching is not available.

For such applications using SPA Dedicated Ring as alternate transport, the CCFLC Metro Ethernet Service Connection will provide data channel transport to connect the termination of the SPA Dedicated Ring at the central office node, to the CCFLC Metro Ethernet Service wire center associated with the CCFLC Metro Ethernet Service Connection (i.e., the central office of the Metro Ethernet Service switch).

When the Dedicated Ring central office node is located greater than 10 miles from the CCFLC Metro Ethernet Service wire center, CCFLC Metro Ethernet Service Additional Mileage charges will also be applicable. For CCFLC Metro Ethernet Service Connections utilizing the customer's SPA Point to Point Network service or Dedicated Ring service as alternate transport, the committed bandwidth for select speeds will be as shown in CCFLC Technical Reference TR73632.

SECTION 7 - DEDICATED ACCESS SERVICES (Cont'd.)

7.4 Rate Regulations (Cont'd.)

7.4.15 CCFLC Metro Ethernet Service (Cont'd.)

A. General (Cont'd.)

6. (Cont'd.)

<u>Metro Ethernet Connection</u>	<u>Metro Ethernet Backbone Bandwidth</u>
Basic 10 Mbps	100 Mbps (1 STS-1)
Basic 100 Mbps	100 Mbps (3 STS- 1)
Basic 1000 Mbps	1000 Mbps
Premium 10, 20, 50 Mbps (Fixed)	100 Mbps (1 STS- 1)
Premium 10, 20, 50 Mbps (Burst)	100 Mbps (3 STS- 1)
Premium 100Mbps (Fixed)	Fractional 1000 Mbps at 150 Mbps
Premium 250 Mbps (Fixed)	Fractional 1000 Mbps at 300 Mbps
Premium 500 Mbps (Fixed)	Fractional 1000 Mbps at 600 Mbps
Premium 100, 250, 500 Mbps (Burst)	1000 Mbps
Virtual 10, 20, 50 Mbps	100 Mbps (1 STS- 1)
Virtual 80 Mbps	100 Mbps (3 STS-1)
Virtual 100 Mbps	Fractional 1000 Mbps at 150 Mbps
Virtual 200, 300 Mbps	Fractional 1000 Mbps at 300 Mbps
Virtual 450 Mbps	Fractional 1000 Mbps at 450 Mbps
Virtual 600 Mbps	Fractional 1000 Mbps at 600 Mbps
Virtual 750, 900 Mbps	1000 Mbps

7. In some cases, the Telephone Company and an Independent Telephone Company (ICO) may agree to jointly provide a customer Metro Ethernet Service. The rates and charges for the CCFLC Metro Ethernet Service Connection are applicable for such connectivity; charges for CCFLC Metro Ethernet Additional Mileage are also applicable when the mileage from the CCFLC/ICO meet-point to the CCFLC Metro Ethernet wire center associated with the service is over 10 miles. The Telephone Company is only responsible for the ordering, provisioning, maintaining and billing of such service up to the meet-point (i.e., demarcation point with the ICO). CCFLC Metro Ethernet Service SLA credits shall only be applicable for the portion of the service provided within the territory of the Telephone Company; such credits are appropriate only for missed commitments determined to be the fault of the Telephone Company.

SECTION 7 - DEDICATED ACCESS SERVICES (Cont'd.)**7.4 Rate Regulations (Cont'd.)****7.4.15 CCFLC Metro Ethernet Service (Cont'd.)****B. Rate Categories and Regulations**

1. The following rate categories apply for CCFLC Metro Ethernet service. Applicable rates and charges are provided in 7.5.22 following.
 - (a) Basic CCFLC Metro Ethernet service Connection
 - (b) Premium CCFLC Metro Ethernet service Connection
 - (c) Dedicated CCFLC Metro Ethernet service Connection
 - (d) Virtual CCFLC Metro Ethernet service Connection
 - (e) CCFLC Metro Ethernet service Additional Mileage Charges
 - (f) Priority Plus Feature
 - (g) Q-Forwarding Feature
 - (h) VLAN Aggregation Feature
 - (i) CNM - Metro Ethernet Reporting Feature
 - (j) Class of Service (CoS) Profile
 - (k) Automatic Protection Switching Feature
 - (l) Service Reconfiguration Charge
 - (m) System Reconfiguration Charge
2. CCFLC Metro Ethernet service is available under month-to-month rates as provided in 7.5.22.A. following or under the optional Transport Payment Plan (TPP) (as described in 2.4.9.C. of this Tariff) to receive the TPP rates provided in 7.5.22.B. following.
3. CCFLC Metro Ethernet service Connections are provided utilizing various Ethernet equipment configurations referred to herein as "physical service types". The physical service type of each CCFLC Metro Ethernet Connection is provided in the chart in 5 following.
4. A hierarchy of the various CCFLC Metro Ethernet service Connections by capability (i.e., dedicated, basic, premium and virtual) and speed is provided in the chart in 5 following. This chart provides a higher order of service ranking that is utilized to determine the appropriate nonrecurring charges for service reconfiguration requests. This ranking is also utilized to determine if termination liability is applicable for specific reconfiguration requests if the service is under a TPP term commitment.

SECTION 7 - DEDICATED ACCESS SERVICES (Cont'd.)

7.4 Rate Regulations (Cont'd.)

7.4.15 CCFLC Metro Ethernet Service (Cont'd.)

B. Rate Categories and Regulations (Cont'd.)

5. The following informational chart provides the physical service type of each CCFLC Metro Ethernet Connection and provides the other CCFLC Metro Ethernet Connections which are considered to be a higher order of service (CCFLC Metro Ethernet service hierarchy).

<u>Metro Ethernet Connection (Mbps):</u>	<u>Physical Service Type:</u>	<u>Higher Order of Service (Mbps):</u>
-Dedicated 100	Dedicated I	Basic 1000; Dedicated 1000; Premium ¹ 100, 250, 500, 900 ² ; Virtual 50, 80, 100, 200, 300, 450, 600, 750, 900
- Dedicated 1000	Dedicated 11	Premium ¹ 500, 900 ² ; Virtual 450, 600, 750, 900
- Basic 2	Basic 0	Basic 4, 8, 10, 100, 1000; Premium ¹ 2, 4, 8, 10, 20, 50, 100, 250, 500; Virtual 2, 4, 8, 10, 20, 50, 80, 100, 200, 300, 450, 600, 750, 900
- Basic 4	Basic 0	Basic 8, 10, 100, 1000; Premium ¹ 4, 8, 10, 20, 50, 100, 250, 500; Virtual 4, 8, 10, 20, 50, 80, 100, 200, 300, 450, 600, 750, 900
- Basic 8	Basic 0	Basic 10, 100, 1000; Premium ¹ 8, 10, 20, 50, 100, 250, 500; Virtual 8, 10, 20, 50, 80, 100, 200, 300, 450, 600, 750, 900
- Basic 10	Basic I	Basic 100, 1000; Premium ¹ 10, 20, 50, 100, 250, 500, 900 ² ; Virtual 10, 20, 50, 80, 100, 200, 300, 450, 600, 750, 900
- Basic 100	Basic II	Basic 1000; Premium ¹ , 100, 250, 500, 900 ² ; Virtual 80, 100, 200, 300, 450, 600, 750, 900
-Basic 1000	Basic III	Premium ¹ 500, 900 ² ; Virtual 450, 600, 750, 900
- Premium 2	Premium 0	Basic 100, 1000; Premium ¹ 4, 8, 10, 20, 50, 100, 250, 500; Virtual 2, 4, 8, 10, 20, 50, 80, 100, 200, 300, 450, 600, 750, 900
- Premium 4	Premium 0	Basic 100,1000; Premium ¹ 8, 10, 20, 50, 100, 250, 500; Virtual 4, 8, 10, 20, 50, 80, 100, 200, 300, 450, 600, 750, 900
- Premium 8	Premium 0	Basic 100, 1000; Premium ¹ 10, 20, 50, 100, 250, 500; Virtual 8, 10, 20, 50, 80, 100, 200, 300, 450, 600, 750, 900
- Premium ¹ 10	Premium I	Basic 1000; Premium ¹ 20, 50, 100, 250, 500, 900 ² ; Virtual 10, 20, 50, 80, 100, 200, 300, 450, 600, 750, 900
- Premium ¹ 20	Premium I	Basic 1000; Premium ¹ , 50, 100, 250, 500, 900 ² ; Virtual 20, 50, 80, 100, 200, 300, 450, 600, 750, 900
- Premium ¹ 50	Premium I	Premium ¹ 100, 250, 500, 900 ² ; Virtual 50, 80, 100, 200, 300, 450, 600, 750, 900
- Premium ¹ 100	Premium II	Premium ¹ 250, 500, 900 ² ; Virtual 100, 200, 300, 450, 600,750, 900
- Premium ¹ 250	Premium II	Premium ¹ 500, 900 ² ; Virtual 300, 450, 600, 750, 900
- Premium ¹ 500	Premium II	Premium 900 ² , Virtual 450, 600, 750, 900
- Premium 900 ²	Premium II	Virtual 900

SECTION 7 - DEDICATED ACCESS SERVICES (Cont'd.)

7.4 Rate Regulations (Cont'd.)

7.4.15 CCFLC Metro Ethernet Service (Cont'd.)

B. Rate Categories and Regulations (Cont'd.)

5. (Cont'd.)

<u>Metro Ethernet Connection (Mbps):</u>	<u>Physical Service Type:</u>	<u>Higher Order of Service (Mbps):</u>
- Virtual 2	Virtual 0	Basic 100, 1000; Premium ¹ 10, 20, 50, 100, 250, 500; Virtual 4, 8, 10, 20, 50, 80, 100, 200, 300, 450, 600, 750, 900
- Virtual 4	Virtual 0	Basic 100, 1000; Premium ¹ 10, 20, 50, 100, 250, 500; Virtual 8, 10, 20, 50, 80, 100, 200, 300, 450, 600, 750, 900
- Virtual 8	Virtual 0	Basic 100, 1000; Premium ¹ 10, 20, 50, 100, 250, 500; Virtual 10, 20, 50, 80, 100, 200, 300, 450, 600, 750, 900
- Virtual 10	Virtual I	Basic 1000; Premium ¹ 20, 50, 100, 250, 500, 900 ² ; Virtual 20, 50, 80, 100, 200, 300, 450, 600, 750, 900
- Virtual 20	Virtual I	Basic 1000; Premium ¹ 50, 100, 250, 500, 900 ² ; Virtual 50, 80, 100, 200, 300, 450, 600, 750, 900
- Virtual 50	Virtual II	Basic 1000; Premium ¹ 100, 250, 500, 900 ² ; Virtual 80, 100, 200, 300, 450, 600, 750, 900
- Virtual 80	Virtual II	Basic 1000; Premium ¹ 100, 250, 500, 900 ² ; Virtual 100, 200, 300, 450, 600, 750, 900
- Virtual 100	Virtual II	Premium ¹ 250, 500, 900 ² ; Virtual 200, 300, 450, 600, 750, 900
- Virtual 200	Virtual II	Premium ¹ 500, 900 ² ; Virtual 300, 450, 600, 750, 900
- Virtual 300	Virtual II	Premium ¹ 500, 900 ² ; Virtual 450, 600, 750, 900
- Virtual 450	Virtual II	Premium 900 ² ; Virtual 600, 750, 900
- Virtual 600	Virtual II	Premium 900 ² ; Virtual 600, 750, 900
- Virtual 750	Virtual II	Premium 900 ² ; Virtual 750, 900
- Virtual 900	Virtual II	None offered at this time

Note: In the above chart that the reference to Dedicated/Basic 1000 Mbps refers to Dedicated/Basic 1Gbps.

Note 1: Fixed Mode or Burst Mode.

Note 2: Premium 900 Mbps only available as Fixed Mode.

SECTION 7 - DEDICATED ACCESS SERVICES (Cont'd.)**7.4 Rate Regulations (Cont'd.)****7.4.15 CCFLC Metro Ethernet Service (Cont'd.)****B. Rate Categories and Regulations (Cont'd.)**

6. A CCFLC Metro Ethernet reconfiguration nonrecurring charge is applicable for a customer request to reconfigure (rearrange) an existing CCFLC Metro Ethernet Connection. The appropriate reconfiguration charge is dependent upon the physical work required to fulfill the request and applies in lieu of other nonrecurring charges.
7. A Service Reconfiguration Charge is applicable for requests where the work required is a minor change that does not involve changing the physical service type. The Service Reconfiguration Charge is applicable for a request to change an existing connection to a different connection that is the same physical service type that is a lower order of service, is applicable for a request to change a Premium connection from fixed mode to burst mode (and vice versa) and is applicable for a request to change a Premium connection to add or delete the Priority Plus feature. The Service Reconfiguration Charge is also applicable for changing an existing Virtual connection COS Profile.

A System Reconfiguration Charge is applicable for requests where the work required involves changing to a different physical service type or involves major support system changes. The System Reconfiguration Charge is applicable for requests to change an existing connection to a different connection that is a different physical service type that is a lower order of service, to change the network channel terminating equipment (NCTE) interface option from optical to electrical (or vice-versa), and to change the premises powering options from AC power to DC power (or vice-versa).

SECTION 7 - DEDICATED ACCESS SERVICES (Cont'd.)**7.4 Rate Regulations (Cont'd.)****7.4.15 CCFLC Metro Ethernet Service (Cont'd.)****B. Rate Categories and Regulations (Cont'd.)**

8. A Premium CCFLC Metro Ethernet Connection-Fixed Mode and Premium CCFLC Metro Ethernet Connection-Burst Mode of the same speed are considered to be the same order of service and same physical service type. A Service Reconfiguration Charge is applicable for a customer request to reconfigure a Premium, CCFLC Metro Ethernet Connection from Fixed Mode to Burst Mode (at the same speed), or vice versa; this nonrecurring charge is in lieu of the nonrecurring charge for the new connection. Such a change is not treated as a disconnect and there will be no change in the minimum period requirements. A Virtual CCFLC Metro Ethernet Connection request to modify its COS Profile is not considered as a request to change the order of service or physical service type. A Service Reconfiguration Charge is applicable for such requests.
9. Except as specified in 8 preceding, a CCFLC Metro Ethernet Connection not shown as a higher order of service in the hierarchy chart in 5 preceding for a given CCFLC Metro Ethernet Connection is considered to be a lower order of service. A reconfiguration charge is applicable for a customer request to change an existing CCFLC Metro Ethernet Connection to a different CCFLC Metro Ethernet Connection that is a lower order of service; the appropriate reconfiguration charge is applicable in lieu of the standard nonrecurring charge for the lower order of service connection. A Service Reconfiguration Charge is applicable when the lower order of service connection is the same physical service type; a System Reconfiguration Charge is applicable when the lower order of service is a different physical service type. New minimum period requirements are established for the lower order of service connection.

SECTION 7 - DEDICATED ACCESS SERVICES (Cont'd.)**7.4 Rate Regulations (Cont'd.)****7.4.15 CCFLC Metro Ethernet Service (Cont'd.)****B. Rate Categories and Regulations (Cont'd.)**

10. A System Reconfiguration Charge is applicable for a customer request to change the premises powering option (AC power to DC power) or NCTE signaling interface option (optical to electrical, or vice-versa) on an existing CCFLC Metro Ethernet Connection. Such a change is not treated as a disconnect and there will be no change in the minimum period requirements.
11. A move of a CCFLC Metro Ethernet service will be as follows (in accordance with 7.4.5 preceding and, if applicable, 2.4.9.C.5. of this Tariff). When the move is to a new location within the same building, the charge for the move will be an amount equal to one-half of the Connection nonrecurring charge. There will be no change in the minimum period requirements.

When the move is to a new location in a different building that is within the same serving wire center, the charge for the move will be the nonrecurring charge for the CCFLC Metro Ethernet service Connection. New minimum period requirements will be established. When the move is to a new location in a different building that is not in the same serving wire center, the request is treated as a discontinuance and start of service and all associated CCFLC Metro Ethernet service nonrecurring charges will apply. New minimum period requirements will be established.¹

Note 1: Such moves of Metro Ethernet Service with Automatic Protection Switching (APS) shall additionally incur the full nonrecurring charge for establishing the APS feature at the new premises (as a new APS design will be required). The APS monthly recurring charge may change as appropriate based upon the actual route mileage associated with the new premises' APS design.

SECTION 7 - DEDICATED ACCESS SERVICES (Cont'd.)

7.4 Rate Regulations (Cont'd.)

7.4.15 CCFLC Metro Ethernet Service (Cont'd.)

C. Service Level Agreement for Premium CCFLC Metro Ethernet Service

Customer networks with Premium CCFLC Metro Ethernet service and CNM - Metro Ethernet Reporting are provided Service Level Agreements (SLAs) as summarized herein 7.4.32.C CCFLC Metro Ethernet Service SLAs outlined herein specify the Company's repair and performance commitments for CNM - Metro Ethernet Reporting customers with Premium Metro Ethernet Connections. Details of the technical measurements and performance results methodologies for each commitment are provided in CCFLC Technical Reference TR-73632.

In accordance with 7.4.32.C.3(c) following, credits are available for missed commitments to customers purchasing Premium CCFLC Metro Ethernet service with the CNM - Metro Ethernet Reporting feature. Credits only apply for portions of service provided by the Company. The following service measurements will outline the service levels the Telephone Company will deliver to CNM - Metro Ethernet Reporting customers with Premium Metro Ethernet Connections:

Repair Commitment:

- CCFLC Metro Ethernet Service Time-to-Repair¹

Network Service Level Commitments:

- CCFLC Metro Ethernet service Core Network Availability
- CCFLC Metro Ethernet service Core Network Latency

The Repair Commitment is measured on a per occurrence basis for each CCFLC Metro Ethernet Connection. A Fault Report is produced thru the CNM - Metro Ethernet Reporting system that aids identification of potential outage durations upon which credits may be requested. The Network Service Level Commitments are measured on the monthly performance of the Metro Ethernet core network during a specific calendar month. An SLA Report is produced thru the CNM - Metro Ethernet Reporting system that provides details of missed Network Service Level Commitments upon which credits may be requested based upon a specific calendar month's performance results.

Note 1: SLA not applicable if missed due to SPA Dedicated Ring outage where CCFLC Metro Ethernet is using SPA Dedicated Ring as alternate transport.

SECTION 7 - DEDICATED ACCESS SERVICES (Cont'd.)**7.4 Rate Regulations (Cont'd.)****7.4.15 CCFLC Metro Ethernet Service (Cont'd.)****C. Service Level Agreement for Premium CCFLC Metro Ethernet Service (Cont'd.)**

The Company's performance measurement data for the Repair Commitment and Network Service Level Commitments will be collected and calculated utilizing the Company's internal processes as set forth in CCFLC Technical Reference TR-73632. The Company's calculation of its performance shall be the sole determinate of the Company's obligation to provide a credit for a missed performance commitment.

1. SLA Definitions**CCFLC Metro Ethernet Service Time to Repair**

- CCFLC Metro Ethernet service Time-To-Repair measures the outage duration on a customer's CCFLC Metro Ethernet Connection. This measure will require the customer to report the problem to the CCFLC repair center.
- The repair interval will start with the time the trouble ticket is created and end when the fault is re-mediated. The Service Level Commitment measurement will be based on each individual trouble ticket for a customer's connection. Time for scheduled maintenance windows (as set forth in 7.4.32.A.3 preceding) does not count towards SLA threshold.

CCFLC Metro Ethernet Service Network Availability

- CCFLC Metro Ethernet service Network Availability measures the percentage of time during a calendar month that the customer's service is unavailable on the core network. The core network is defined as being from the Ethernet switch serving the customer's A-end to the Ethernet switch serving the customer's B-end. Customer networks that do not span more than one switch in the core network are not eligible for the Network Availability SLA, and one will not be provided.
- This Service Level Commitment will be calculated by measuring and summing the outage for each core network component used by the customer, divided by the total number of components, times the total service time for a particular calendar month. Excluded from the outage time and service time are scheduled maintenance windows (as set forth in 7.4.32.A.3. preceding) and time the network was unavailable due to circumstances outside the Company's control (as set forth in 7.4.32.C.3(b) following).

SECTION 7 - DEDICATED ACCESS SERVICES (Cont'd.)

7.4 Rate Regulations (Cont'd.)

7.4.15 CCFLC Metro Ethernet Service (Cont'd.)

C. Service Level Agreement for Premium CCFLC Metro Ethernet Service (Cont'd.)

1. SLA Definitions (Cont'd.)

CCFLC Metro Ethernet Service Network Latency

- CCFLC Metro Ethernet service Network Latency measures average one-way delay in milliseconds within the core network. The core network is defined as being from the Ethernet switch serving the customer's A-end to the Ethernet switch serving the customer's B-end. Customer networks that do not span more than one switch in the core network are not eligible for the Network Latency SLA, and one will not be provided.
- This Service Level Commitment will be calculated by averaging the measured latency of simulated traffic within the Metro Ethernet Customer Network (i.e., between each pair of connections) during a calendar month.

2. The Company's Service Level Commitments for Premium CCFLC Metro Ethernet service are as follows:

- CCFLC Metro Ethernet service Time-To-Repair - 4 hours or less
- CCFLC Metro Ethernet service Network Availability - 99.9% or higher
- CCFLC Metro Ethernet service Network Latency - 55 milliseconds or less

SECTION 7 - DEDICATED ACCESS SERVICES (Cont'd.)**7.4 Rate Regulations (Cont'd.)****7.4.15 CCFLC Metro Ethernet Service (Cont'd.)****C. Service Level Agreement for Premium CCFLC Metro Ethernet Service (Cont'd.)****3. SLA Restrictions**

(a) The Company will implement SLA provisioning restrictions that will define customer network design requirements and limitations to CCFLC's commitment to meet Service Levels for CCFLC Metro Ethernet service. The customer network design requirements are as follows:

- A customer must subscribe to the Metro Ethernet Premium Service with CNM - Metro Ethernet Reporting to receive credits for missed Service Level Commitments.
- Credits are not provided for partial month service.
- A customer's account must be current to receive a credit.

(b) SLA Credits do not apply when any stated objective is not met because the Company does not have control over the circumstances causing the objective to be missed. Situations over which the Company does not have control include, but are not limited to, the following:

- any act, any omission or negligence on the part of the customer, any other customer or any third party, or of any other entity providing a portion of the service,
- labor difficulties, governmental orders, civil commotions, acts of civil or military authority, embargoes, epidemics, declared National Emergencies, criminal actions against the Company, war, terrorist acts, riots, insurrections, fires, explosions, nuclear accidents, power blackouts, acts of God (including, but not limited to, earthquakes, floods or unusually severe weather) or other circumstances beyond the Company's control,
- the customer's premises equipment, and
- unavailability of the customer's facilities and/or equipment including customer-provided power and environmental conditions for CCFLC-owned and operated equipment located on the customer's premises.

SECTION 7 - DEDICATED ACCESS SERVICES (Cont'd.)**7.4 Rate Regulations (Cont'd.)****7.4.15 CCFLC Metro Ethernet Service (Cont'd.)****C. Service Level Agreement for Premium CCFLC Metro Ethernet Service¹ (Cont'd.)****3. SLA Restrictions**

- (c) The Customer must request a credit within one month of the Company missing a CCFLC Metro Ethernet service Level Commitment. A customer request for a Network Service Level SLA credit must be submitted on a standard request form issued by the Company that includes the month the SLA commitment was missed, accurate identification of the affected circuit, and the observed measurement of the specific SLA that was missed. A customer request for a Repair SLA credit must be submitted on a standard request form issued by the Company that includes the month the SLA commitment was missed, accurate identification of the affected circuit, and the trouble ticket number of the repair request. The Company will investigate customer requests for any SLA credits to determine the cause of any performance failures reported by the customer. The Company will investigate the customer's request over a period of up to 45 calendar days. The 45-day period will begin when the customer makes the request for credit with their CCFLC Sales Representative. SLA credits will be provided to the customer if the Company determines that the Company had control over the circumstances causing the failure.

Note 1: Details of the technical measurements and performance results methodologies for each Commitment are provided in CCFLC Technical Reference TR-73632.

 SECTION 7 - DEDICATED ACCESS SERVICES (Cont'd.)

7.4 Rate Regulations (Cont'd.)

7.4.15 CCFLC Metro Ethernet Service (Cont'd.)

C. Service Level Agreement for Premium CCFLC Metro Ethernet Service¹ (Cont'd.)

4. SLA Credits for Premium Connections with CNM - Metro Ethernet Reporting

The following credits will apply when the Company misses a Service Level Commitment (each credit is described in (a) thru (c) following):

CCFLC Metro Ethernet service Time-To-Repair:

- 0 to 4 hours per incident: No Credit
- Over 4 hours to 24 hours per incident: A credit equal to 3/30 of the monthly recurring charges for all the rate elements² associated with the affected Metro Ethernet Connection
- Each additional 24-hour period, per incident: Credit an additional amount equal to 3/30 of the monthly recurring charges for all the rate elements² associated with the affected Metro Ethernet Connection

CCFLC Metro Ethernet service Network Availability:

- A credit equal to 3/30 of the monthly recurring charges for all the rate elements² associated with the affected Metro Ethernet Connection.

CCFLC Metro Ethernet service Network Latency:

- A credit equal to 3/30 of the monthly recurring charges for all the rate elements² associated with the affected Metro Ethernet Connection.

The SLA credit amount will be determined by applying the credits outlined preceding to the rate elements or total billed revenues specified following.

Note 1: Details of the technical measurements and performance results methodologies for each Commitment are provided in CCFLC Technical Reference TR-73632.

Note 2: Specifically, rate elements for the Metro Ethernet Connection, Additional Mileage and Features.

SECTION 7 - DEDICATED ACCESS SERVICES (Cont'd.)

7.4 Rate Regulations (Cont'd.)

7.4.15 CCFLC Metro Ethernet Service (Cont'd.)

C. Service Level Agreement for Premium CCFLC Metro Ethernet Service¹ (Cont'd.)

4. SLA Credits for Premium Connections with CNM - Metro Ethernet Reporting (Cont'd.)

The total credits issued for all SLAs for a specific CCFLC Metro Ethernet service Connection during a single bill period may not exceed the total monthly recurring charges billed for all the rate elements associated with that CCFLC Metro Ethernet service Connection. Credits are not provided for partial month service.

- (a) CCFLC Metro Ethernet service Time-To-Repair Credit - The Service Level Commitment measurement will be based on each individual trouble ticket for a customer's connection. Multiple trouble tickets on the same day for the same customer connection will only be eligible for one time-to-repair credit. The SLA credit will apply to the monthly recurring charges for all the rate elements² associated with the affected Metro Ethernet Connection.
- (b) CCFLC Metro Ethernet service Network Availability Credit³ - The Service Level commitment measurement will be based on a specific calendar month's performance. The credit will apply for each CCFLC Metro Ethernet service connection that does not meet the availability commitment. The SLA credit will apply to the monthly recurring charges for all the rate elements² associated with the affected Metro Ethernet Connection.
- (c) CCFLC Metro Ethernet service Latency Credit³ - The Service Level commitment measurement will be based on a specific calendar month's performance. The credit will apply for each CCFLC Metro Ethernet service connection that does not meet the latency commitment. The SLA credit will apply to the monthly recurring charges for all the rate elements² associated with the affected Metro Ethernet Connection.

Note 1: Details of the technical measurements and performance results methodologies for each Commitment are provided in CCFLC Technical Reference TR-73632.

Note 2: Specifically, rate elements for the Metro Ethernet Connection, Additional Mileage and Features.

Note 3: CCFLC Metro Ethernet networks that do not span more than one switch in the core network are not eligible for credits under this SLA.

Issue date: March 1, 2019

Effective date: March 31, 2019

Issued by: Robert D. Meehan
Title: Director of Regulatory Affairs

SECTION 7 - DEDICATED ACCESS SERVICES (Cont'd.)

7.4 Rate Regulations (Cont'd.)

7.4.15 CCFLC Metro Ethernet Service (Cont'd.)

D. Service Level Agreement for Virtual CCFLC Metro Ethernet¹ Service

Customer networks with Virtual CCFLC Metro Ethernet Service and CNM - Metro Ethernet Reporting are provided Service Level Agreements (SLAs) as summarized herein 7.4.32.D, CCFLC Metro Ethernet Service SLAs outlined herein specify the Telephone Company's repair and performance commitments for CNM - Metro Ethernet Reporting customers with Virtual Metro Ethernet Connections. SLAs will be applied on a per Class of Service (COS) basis for Virtual Connections; traffic representing the different COS (i.e., Best Effort, Business Critical, Real-Time and Interactive) transported across the same Virtual Connection will have different SLAs. Details of the technical measurements and performance results methodologies for each commitment are provided in CCFLC Technical Reference TR-73632.

In accordance with 7.4.32.D.3(c) following, credits are available for missed commitments to customers purchasing Virtual CCFLC Metro Ethernet Service with the Metro Ethernet Reporting feature. Credits only apply for portions of service provided by the Telephone Company.

The following service measurements will outline the service levels the Telephone Company will deliver to CNM - Metro Ethernet Reporting customers with Virtual Metro Ethernet Connections:

Repair Commitment:

- CCFLC Metro Ethernet service Time-to-Repair²

Network Service Level Commitments:

- CCFLC Metro Ethernet service Core Network Availability
- CCFLC Metro Ethernet service Core Network Latency³
- CCFLC Metro Ethernet service Core Network Jitter^{3,4}
- CCFLC Metro Ethernet service Core Network Packet Delivery³

Note 1: Details of the technical measurements and performance results methodologies for each Commitment are provided in CCFLC Technical Reference TR-73632.

Note 2: SLA not applicable if missed due to SPA Dedicated Ring outage where GTC Metro Ethernet is using SPA Dedicated Ring as alternate transport.

Note 3: SLA not applicable for Best Effort COS.

Note 4: SLA not applicable for Business Critical COS.

SECTION 7 - DEDICATED ACCESS SERVICES (Cont'd.)

7.4 Rate Regulations (Cont'd.)

7.4.15 CCFLC Metro Ethernet Service (Cont'd.)

D. Service Level Agreement for Virtual CCFLC Metro Ethernet¹ Service (Cont'd.)

The Repair Commitment is measured on a per occurrence basis for each CCFLC Metro Ethernet Connection for all COS. A Fault Report is produced thru the CNM - Metro Ethernet Reporting system that aids identification of potential outage durations upon which credits may be requested.

The Network Service Level Commitments are measured on the monthly performance of the Metro Ethernet core network during a specific calendar month by COS. An SLA Report is produced thru the CNM - Metro Ethernet Reporting system that provides details of missed Network Service Level Commitments by COS upon which credits may be requested based upon a specific calendar month's performance results.

The Company's performance measurement data for the Repair Commitment and Network Service Level Commitments will be collected and calculated utilizing the Company's internal processes as set forth in CCFLC Technical Reference TR-73632. The Company's calculation of its performance shall be the sole determinate of the Company's obligation to provide a credit for a missed performance commitment.

1. SLA Definitions

CCFLC Metro Ethernet Service Time-To-Repair

- CCFLC Metro Ethernet service Time to Repair - measures the outage duration on a customer's CCFLC Metro Ethernet Connection for all COS. This measure will require the customer to report the problem to the CCFLC repair center.
- The repair interval will start with the time the trouble ticket is created and end when the fault is remediated. The Service Level Commitment measurement will be based on each individual trouble ticket for a customer's connection. Time for scheduled maintenance windows (as set forth in 7.4.32.A.3.) does not count towards SLA threshold.

Note 1: Details of the technical measurements and performance results methodologies for each Commitment are provided in CCFLC Technical Reference TR-73632.

Issue date: March 1, 2019

Effective date: March 31, 2019

Issued by: Robert D. Meehan
Title: Director of Regulatory Affairs

 SECTION 7 - DEDICATED ACCESS SERVICES (Cont'd.)

7.4 Rate Regulations (Cont'd.)

7.4.15 CCFLC Metro Ethernet Service (Cont'd.)

D. Service Level Agreement for Virtual CCFLC Metro Ethernet¹ Service (Cont'd.)

1. SLA Definitions (Cont'd.)

CCFLC Metro Ethernet Service Network Availability

- CCFLC Metro Ethernet Service Network Availability measures the percentage of time by COS during a calendar month that the customer's service is unavailable on the core network. The core network is defined as being from the Ethernet switch serving the customer's A-end to the Ethernet switch serving the customer's B-end. Customer networks that do not span more than one switch in the core network are not eligible for the Network Availability SLA, and one will not be provided.
- This Service Level Commitment will be calculated by COS by measuring and summing the outage for each core network component used by the customer, divided by the total number of components, times the total service time for a particular calendar month. Excluded from the outage time and service time are scheduled maintenance windows (as set forth in 7.4.32.A.3.) and time the network was unavailable due to circumstances outside the Telephone Company's control (as set forth in 7.4.32.D.3.(b)).

CCFLC Metro Ethernet Service Network Latency

- CCFLC Metro Ethernet Service Network Latency measures average one-way delay in milliseconds within the core network. The core network is defined as being from the Ethernet switch serving the customer's A-end to the Ethernet switch serving the customer's B-end. Customer networks that do not span more than one switch in the core network are not eligible for the Network Latency SLA, and one will not be provided.
- This Service Level Commitment will be calculated for each COS (except the Best Effort COS) by averaging the measured latency of simulated traffic for each eligible COS within the Metro Ethernet Customer Network (i.e., between each pair of connections) during a calendar month.

Note 1: Details of the technical measurements and performance results methodologies for each Commitment are provided in CCFLC Technical Reference TR-73632.

SECTION 7 - DEDICATED ACCESS SERVICES (Cont'd.)**7.4 Rate Regulations (Cont'd.)****7.4.15 CCFLC Metro Ethernet Service (Cont'd.)****D. Service Level Agreement for Virtual CCFLC Metro Ethernet¹ Service (Cont'd.)****1. SLA Definitions (Cont'd.)****CCFLC Metro Ethernet Service Network Jitter**

- CCFLC Metro Ethernet Service Jitter measures the average variability, measured in time (milliseconds) between the actual packet transmission rate and the expected packet transmission rate within the core network for Interactive and Real-Time COS. The core network is defined as being from the Ethernet switch serving the customer's A-end to the Ethernet switch serving the customer's B-end.
- This Service Level Commitment will be calculated for the Interactive COS and Real-Time COS by averaging the measured jitter of simulated traffic for each of the customer's eligible COS queue within the Metro Ethernet Customer Network (i.e., between each pair of connections) during a calendar month.

CCFLC Metro Ethernet Service Packet Delivery

- CCFLC Metro Ethernet Service Network Packet Delivery measures the percentage of packets conforming to the committed bandwidth profile that are delivered across the core network, without being dropped or lost as a result of a fault within the Virtual Ethernet network. The core network is defined as being from the Ethernet switch serving the customer's A-end to the Ethernet switch serving the customer's B-end.
- This Service Level Commitment will be calculated for each COS (except the Best Effort COS) by averaging the measured packet delivery of simulated traffic for eligible COS within the Metro Ethernet Customer Network (i.e., between each pair of connections) during a calendar month.

Note 1: Details of the technical measurements and performance results methodologies for each Commitment are provided in CCFLC Technical Reference TR-73632.

Note 2: SLA not applicable if missed due to SPA Dedicated Ring outage where CCFLC Metro Ethernet is using SPA Dedicated Ring as alternate transport.

 SECTION 7 - DEDICATED ACCESS SERVICES (Cont'd.)

7.4 Rate Regulations (Cont'd.)

7.4.15 CCFLC Metro Ethernet Service (Cont'd.)

D. Service Level Agreement for Virtual CCFLC Metro Ethernet¹ Service (Cont'd.)

2. The Telephone Company's Service Level Commitments for Virtual CCFLC Metro Ethernet service are as follows:

Time to Repair

- Best Effort COS: 4 hours or less
- Business Critical COS: 4 hours or less
- Interactive COS: 4 hours or less
- Real-Time COS: 4 hours or less

Network Availability

- Best Effort COS: 99.500% or greater
- Business Critical COS: 99.995% or greater
- Interactive COS: 99.995% or greater
- Real-Time COS: 99.995% or greater

Latency (one-way)

- Best Effort COS: Not Applicable
- Business Critical COS: 15 milliseconds or less
- Interactive COS: 5 milliseconds or less
- Real-Time COS: 5 milliseconds or less

Jitter

- Best Effort COS: Not Applicable
- Business Critical COS: Not Applicable
- Interactive COS: 1 millisecond or less
- Real-Time COS: 1 millisecond or less

Packet Delivery

- Best Effort COS: Not Applicable
- Business Critical COS: 99.900% or greater
- Interactive COS: 99.950% or greater
- Real-Time COS: 99.995% or greater

Note 1: Details of the technical measurements and performance results methodologies for each commitment are provided in CCFLC Technical Reference TR-73632.

 SECTION 7 - DEDICATED ACCESS SERVICES (Cont'd.)

7.4 Rate Regulations (Cont'd.)

7.4.15 CCFLC Metro Ethernet Service (Cont'd.)

D. Service Level Agreement for Virtual CCFLC Metro Ethernet¹ Service (Cont'd.)

3. SLA Restrictions

(a) The Telephone Company will implement SLA provisioning restrictions that will define customer network design requirements and limitations to CCFLC's commitment to meet Service Levels for CCFLC Metro Ethernet Service. The customer network design requirements are as follows:

- A customer must subscribe to the Metro Ethernet Virtual Service with CNM - Metro Ethernet Reporting to receive credits for missed Service Level Commitments.
- Credits are not provided for partial month service.
- A customer's account must be current to receive a credit.

(b) SLA Credits do not apply when any stated objective is not met because the Telephone Company does not have control over the circumstances causing the objective to be missed. Situations over which the Telephone Company does not have control include, but are not limited to, the following:

- any act, any omission or negligence on the part of the customer, any other customer or any third party, or of any other entity providing a portion of the service,
- labor difficulties, governmental orders, civil commotions, acts of civil or military authority, embargoes, epidemics, declared National Emergencies, criminal actions against the Telephone Company, war, terrorist acts, riots, insurrections, fires, explosions, nuclear accidents, power blackouts, acts of God (including, but not limited to, earthquakes, floods or unusually severe weather) or other circumstances beyond the Telephone Company's control,
- the customer's premises equipment, and
- unavailability of the customer's facilities and/or equipment including customer-provided power and environmental conditions for CCFLC-owned and operated equipment located on the customer's premises.

Note 1: Details of the technical measurements and performance results methodologies for each commitment are provided in CCFLC Technical Reference TR-73632.

SECTION 7 - DEDICATED ACCESS SERVICES (Cont'd.)**7.4 Rate Regulations (Cont'd.)****7.4.15 CCFLC Metro Ethernet Service (Cont'd.)****D. Service Level Agreement for Virtual CCFLC Metro Ethernet¹ Service (Cont'd.)****3. SLA Restrictions (Cont'd.)**

- (c) The Customer must request a credit within one month of the Telephone Company missing a CCFLC Metro Ethernet Service Level Commitment. A customer request for a Network Service Level SLA credit must be submitted on a standard request form issued by the Company that includes the month the SLA commitment was missed, accurate identification of the affected circuit, and the observed measurement of the specific SLA that was missed. A customer request for a Repair SLA credit must be submitted on a standard request form issued by the Company that includes the month the SLA commitment was missed, accurate identification of the affected circuit, and the trouble ticket number of the repair request. The Telephone Company will investigate customer requests for any SLA credits to determine the cause of any performance failures reported by the customer. The Telephone Company will investigate the customer's request over a period of up to 45 calendar days. The 45-day period will begin when the customer makes the request for credit with their CCFLC Sales Representative. SLA credits will be provided to the customer if the Company determines that the Telephone Company had control over the circumstances causing the failure.

Note 1: Details of the technical measurements and performance results methodologies for each commitment are provided in CCFLC Technical Reference TR-73632.

SECTION 7 - DEDICATED ACCESS SERVICES (Cont'd.)

7.4 Rate Regulations (Cont'd.)

7.4.15 CCFLC Metro Ethernet Service (Cont'd.)

D. Service Level Agreement for Virtual CCFLC Metro Ethernet¹ Service (Cont'd.)

4. SLA Credits for Virtual Connections with CNM - Metro Ethernet Reporting

The following credits will apply when the Telephone Company misses a Service Level Commitment on any single COS (each credit is described in (a) thru (e) following). A maximum of one credit will be applied monthly per Connection for an SLA not met for any COS that is supported by the customer's COS profile (i.e., a maximum of one credit is applicable for an SLA even if missed for multiple COS).

CCFLC Metro Ethernet service Time-To-Repair:

- 0 to 4 hours per incident: No Credit
- Over 4 hours to 24 hours per incident: A credit equal to 3/30 of the monthly recurring charges for all the rate elements² associated with the affected Metro Ethernet Connection
- Each additional 24-hour period, per incident: Credit an additional amount equal to 3/30 of the monthly recurring charges for all the rate elements² associated with the affected Metro Ethernet Connection

CCFLC Metro Ethernet Service Network Availability:

A credit equal to 3/30 of the monthly recurring charges for all the rate elements² associated with the affected Metro Ethernet Connection

CCFLC Metro Ethernet Service Latency:

A credit equal to 3/30 of the monthly recurring charges for all the rate elements² associated with the affected Metro Ethernet Connection.

CCFLC Metro Ethernet Service Jitter:

A credit equal to 3/30 of the monthly recurring charges for all the rate elements² associated with the affected Metro Ethernet Connection.

CCFLC Metro Ethernet Service Packet Delivery:

A credit equal to 3/30 of the monthly recurring charges for all the rate elements² associated with the affected Metro Ethernet Connection.

Note 1: Details of the technical measurements and performance results methodologies for each commitment are provided in CCFLC Technical Reference TR-73632.

Note 2: Specifically, rate elements for the Metro Ethernet Connection, Additional Mileage and Features.

SECTION 7 - DEDICATED ACCESS SERVICES (Cont'd.)

7.4 Rate Regulations (Cont'd.)

7.4.15 CCFLC Metro Ethernet Service (Cont'd.)

D. Service Level Agreement for Virtual CCFLC Metro Ethernet¹ Service (Cont'd.)

4. SLA Credits for Virtual Connections with CNM - Metro Ethernet Reporting (Cont'd.)

The SLA credit amount will be determined by applying the credits outlined preceding to the rate elements or total billed revenues specified following:

The total credits issued for all SLAs for a specific CCFLC Metro Ethernet service Connection during a single bill period may not exceed the total monthly recurring charges billed for all the rate elements associated with that CCFLC Metro Ethernet service Connection. Credits are not provided for partial month service.

- (a) CCFLC Metro Ethernet Service Time-To-Repair Credit - The Service Level Commitment measurement will be based on each individual trouble ticket for a customer's connection. Multiple trouble tickets on the same day for the same customer connection will only be eligible for one time-to-repair credit. The SLA credit will apply to the monthly recurring charges for all the rate elements² associated with the affected Metro Ethernet Connection
- (b) CCFLC Metro Ethernet Service Network Availability Credit³ - The Service Level Commitment measurement will be based on a specific calendar month's performance. The credit will apply for each CCFLC Metro Ethernet Service Connection that does not meet the availability commitment. The SLA credit will apply to the monthly recurring charges for all the rate elements² associated with the affected Metro Ethernet Connection.

Note 1: Details of the technical measurements and performance results methodologies for each commitment are provided in CCFLC Technical Reference TR-73632.

Note 2: Specifically, rate elements for the Metro Ethernet Connection, Additional Mileage and Features.

Note 3: CCFLC Metro Ethernet networks that do not span more than one switch in the core network are not eligible for credits under this SLA.

SECTION 7 - DEDICATED ACCESS SERVICES (Cont'd.)**7.4 Rate Regulations (Cont'd.)****7.4.15 CCFLC Metro Ethernet Service (Cont'd.)****D. Service Level Agreement for Virtual CCFLC Metro Ethernet¹ Service (Cont'd.)**

4. **SLA Credits for Virtual Connections with CNM - Metro Ethernet Reporting (Cont'd.)**
 - (c) **CCFLC Metro Ethernet Service Latency Credit³** - The Service Level Commitment measurement will be based on a specific calendar month's performance. The credit will apply for each CCFLC Metro Ethernet Service Connection that does not meet the latency Commitment for any eligible COS. The SLA credit will apply to the monthly recurring charges for all the rate elements² associated with the affected Metro Ethernet Connection.
 - (d) **CCFLC Metro Ethernet Service Jitter Credit³** - The Service Level Commitment measurement will be based on a specific calendar month's performance. The credit will apply for each CCFLC Metro Ethernet Service Connection that does not meet the jitter Commitment for any eligible COS. The SLA credit will apply to the monthly recurring charges for all the rate elements² associated with the affected Metro Ethernet Connection.
 - (e) **CCFLC Metro Ethernet Service Packet Delivery Credit³** - The Service Level Commitment measurement will be based on a specific calendar month's performance. The credit will apply for each CCFLC Metro Ethernet Service Connection that does not meet the packet delivery commitment for any eligible COS. The SLA credit will apply to the monthly recurring charges for all the rate elements² associated with the affected Metro Ethernet Connection.

Note 1: Details of the technical measurements and performance results methodologies for each commitment are provided in CCFLC Technical Reference TR-73632.

Note 2: Specifically, rate elements for the Metro Ethernet Connection, Additional Mileage and Features.

Note 3: CCFLC Metro Ethernet networks that do not span more than one switch in the core network are not eligible for credits under this SLA.

SECTION 7 - DEDICATED ACCESS SERVICES (Cont'd.)

7.5 Rates and Charges

7.5.1 Telegraph Grade (a.k.a. CCFLC SPA Telegraph) Service¹

A. Local Channel

1. Per Point of Termination

		<u>Monthly</u>	<u>Nonrecurring Charge</u>	
		<u>Rate</u>	<u>First</u>	<u>Addl.</u>
(a)	Two-Wire	\$29.04	--	--
(b)	Four-Wire	58.08	--	--

B. Interoffice Channel

1. Mileage Bands

		<u>Monthly</u>	<u>Nonrecurring Charge</u>	
		<u>Rate</u>	<u>First</u>	<u>Addl.</u>
(a)	0 mile	\$0.00	\$0.00	\$0.00
(b)	1 thru 8 miles	\$47.03	\$2.73	\$0.00
(c)	9 thru 25 miles	\$47.03	\$2.64	\$0.00
(d)	Over 25 miles	\$47.03	\$2.56	\$0.00

C. Optional Features and Functions

1. Telegraph Bridging, Two-Wire and Four-Wire

		<u>Monthly</u>	<u>Nonrecurring</u>
		<u>Rate</u>	<u>Charge</u>
(a)	Two-Wire, per port	\$2.64	\$0.00
(b)	Four-Wire, per port	\$2.64	\$0.00

Note 1: Telegraph Grade (a.k.a. CCFLC SPA Telegraph) service is not available for additions, new installations or moves of service.

SECTION 7 - DEDICATED ACCESS SERVICES (Cont'd.)

7.5 Rates and Charges (Cont'd.)

7.5.2 Voice Grade (a.k.a. CCFLC SPA DS0 VG) Service

A. Local Channel

1. Per Point of Termination

a. Voice Grade (a.k.a. CCFLC SPA DS0 VG)

		<u>Monthly Rate</u>	<u>Nonrecurring Charge</u>	
			<u>First</u>	<u>Additional</u>
(1)	Voice			
	(a) Two-Wire	\$49.50	\$297.00	\$110.00
	(b) Four-Wire	\$74.25	\$302.50	\$115.50
(2)	Data			
	(a) Two-Wire	\$57.75	\$324.50	\$132.00
	(b) Four-Wire	\$74.25	\$330.00	\$137.50
(3)	Loop Facilities not required ¹			
	(a) Two-Wire	\$11.55	\$148.50	\$78.10
	(b) Four-Wire	\$11.55	\$148.50	\$78.10

B. Interoffice Channel

		<u>Fixed Monthly Charge</u>	<u>Monthly Charge Per mile</u>	<u>Nonrecurring Charge per Channel</u>
1.	Mileage Bands			
	(a) 0 mile	\$0.00	\$0.00	\$0.00
	(b) 1 thru 8 miles	\$57.75	\$3.22	\$95.70
	(c) 9 thru 25 miles	\$57.75	\$3.22	\$95.70
	(d) Over 25 miles	\$57.75	\$3.22	\$95.70

Note 1: For connections to Company Centrex CO-like switches and equipment considered to be customer premises.

SECTION 7 - DEDICATED ACCESS SERVICES (Cont'd.)

7.5 Rates and Charges (Cont'd.)

7.5.2 Voice Grade (a.k.a. CCFLC SPA DS0 VG) Service (Cont'd.)

C. Optional Features and Functions

1.	Bridging	<u>Monthly</u>	<u>Nonrecurring Charge</u>
a.	Voice Bridging, Two-Wire/Four-Wire, per Port		
(1)	Two-Wire	\$11.55	\$37.40
(2)	Four-Wire	\$11.55	\$37.40
b.	Data Bridging, Two-Wire/Four-Wire, per Port		
(1)	Two-Wire	\$16.50	\$40.70
(2)	Four-Wire	\$16.50	\$40.70
c.	Telephoto Bridging, Two-Wire/Four-Wire, per Port		
(1)	Two-Wire	\$11.55	\$37.40
(2)	Four-Wire	\$11.55	\$37.40
d.	Dataphone Select-A-Station Bridging - Primary Data Station Selector		
	<u>Sequential Arrangement</u>		
(a)	Common Equipment	\$188.93	\$264.00
	<u>Addressable Arrangement</u>		
(a)	Common Equipment	\$266.64	\$297.00
	<u>Channel Connections</u>		
(a)	Per two-wire connection	\$3.63	\$40.70
(b)	Per four-wire connection	\$16.67	\$44.00

SECTION 7 - DEDICATED ACCESS SERVICES (Cont'd.)

7.5 Rates and Charges (Cont'd.)

7.5.2 Voice Grade (a.k.a. CCFLC SPA DS0 VG) Service (Cont'd.)

C. Optional Features and Functions (Cont'd.)

1.	Bridging (Cont'd.)	<u>Monthly</u>	<u>Nonrecurring Charge</u>
e.	Dataphone Select-A-Station Bridging - Secondary Data Station Selector		
	<u>Sequential Arrangement</u>		
(a)	Common Equipment	\$188.93	\$264.00
	<u>Addressable Arrangement</u>		
(a)	Common Equipment	\$266.64	\$297.00
	<u>Channel Connections</u>		
(a)	Per two-wire connection	\$3.63	40.70
(b)	Per four-wire connection	\$16.67	44.00
f.	Telemetry and Alarm Bridging - Split Band, Active Bridging		
	<u>Common Equipment, per central office</u>		
(a)	First bridging shelf, capacity of 48 two-wire connections	69.65	380.00
(b)	Additional bridging shelf, capacity of 56 two-wire connections installed subsequent to the first bridging shelf	67.65	345.00
(c)	Additional bridging shelf, capacity of 56 two-wire connections installed at the same time as the 1 st bridging shelf	23.25	215.00
	<u>Channel connections, per channel connected</u>		
(a)	Remote station channel connection	1.40	37.00
(b)	Mid-link channel connection, first channel	5.60	49.00
(c)	Mid-link channel connection, subsequent channels	4.85	49.00

SECTION 7 - DEDICATED ACCESS SERVICES (Cont'd.)

7.5 Rates and Charges (Cont'd.)

7.5.2 Voice Grade (a.k.a. CCFLC SPA DS0 VG) Service (Cont'd.)

C. Optional Features and Functions (Cont'd.)

2. Conditioning, Per Point of Termination

		<u>Nonrecurring Charge</u>		
		<u>Monthly</u>	<u>Initial</u>	<u>Additional</u>
		<u>Rate</u>		
(a)	C-Type	\$1.65	\$17,60	\$94.60
(b)	Improved Attenuation Distortion	139.02	85.80	176.00
(c)	Improved Envelope Delay Distortion	193.53	85.80	176000
(d)	Sealing Current	.58	37.40	104.50

3. Echo Control for Effective Two-Wire Service Per Point of Termination

(a)	Improved Return Loss At Two-Wire Point of Termination	25.00	7.70	308.00
(b)	ELEPL2 At Four-Wire Point of Termination	25.00	7.70	308.00

SECTION 7 - DEDICATED ACCESS SERVICES (Cont'd.)

7.5 Rates and Charges (Cont'd.)

7.5.2 Voice Grade (a.k.a. CCFLC SPA DS0 VG) Service (Cont'd.)

C. Optional Features and Functions (Cont'd.)

		<u>Monthly</u>	<u>Nonrecurring Charge</u>	
		<u>Rate</u>	<u>Initial</u>	<u>Additional</u>
4.	Customer Specified Receive Level			
(a)	Per Two-Wire Point of Termination	27.48	4.40	79.20
5.	D-Conditioning			
(a)	Per Point of Termination	.50	11.00	341.00
6.	Telephoto Capability			
(a)	Per Point of Termination	3.63	4.40	302.50

SECTION 7 - DEDICATED ACCESS SERVICES (Cont'd.)

7.5 Rates and Charges (Cont'd.)

7.5.2 Voice Grade (a.k.a. CCFLC SPA DS0 VG) Service (Cont'd.)

C. Optional Features and Functions (Cont'd.)

		<u>Monthly Rate</u>	<u>Nonrecurring Charge</u>	
			<u>Initial</u>	<u>Additional</u>
7.	Signaling Capability, per Point of Termination			
(a)	Loop	4.87	17.60	319.00
(b)	Single Frequency	9.49	25.30	324.50
(c)	E&M ²	15.68	27.50	330.00
(d)	Ground	\$3.96	\$12.10	\$313.50
(e)	Type C	3.96	17.60	319.00
(f)	Other2	9.49	20.90	324.50
8.	Improved Termination			
(a)	Per Point of Termination	3.63	4.40	308.00
9.	Simplex Reversal			
(a)	Per Point of Termination	-	4.40	95.70

SECTION 7 - DEDICATED ACCESS SERVICES (Cont'd.)

7.5 Rates and Charges (Cont'd.)

7.5.3 Digital Data Access (a.k.a. CCFLC SPA DS0 Digital Data) Service

A. Local Channel

		<u>Monthly</u> <u>Rate</u>	<u>Nonrecurring Charge</u>	
			<u>Initial</u>	<u>Additional</u>
1.	Per Point of Termination			
	(a) 2.4 Kbps	\$55.00	\$350.00	\$99.00
	(b) 4.8 Kbps	55.00	350.00	99.00
	(c) 9.6 Kbps	55.00	350.00	99.00
	(d) 19.2 Kbps	\$55.00	\$350.00	\$99.00
	(e) 56.0 Kbps	75.00	350.00	99.00
	(f) 64.0 Kbps	75.00	350.00	99.00
2.	Hub Termination, Per Local Channel			
	(a) 2.4 Kbps	11.00	57.00	48.00
	(b) 4.8 Kbps	11.00	57.00	48.00
	(c) 9.6 Kbps	11.00	57.00	48.00
	(d) 19.2 Kbps	11.00	57.00	48.00
	(e) 56.0 Kbps	30.00	57.00	48.00
	(f) 64.0 Kbps	30.00	57.00	48.00

SECTION 7 - DEDICATED ACCESS SERVICES (Cont'd.)

7.5 Rates and Charges (Cont'd.)

7.5.3 Digital Data Access (a.k.a. CCFLC SPA DS0 Digital Data) Service (Cont'd.)

A. Local Channel (Cont'd.)

3. Local Channel Contract Rates Per Point of Termination

		<u>Nonrecurring</u>			
		<u>Charge</u>			
		<u>Initial</u>	<u>Addl.</u>	<u>24 - 42</u>	<u>43-60</u>
				<u>Months</u>	<u>Months</u>
(a)	2.4 Kbps	\$350.00	\$99.00	\$49.00	\$47.00
(b)	4.8 Kbps	\$350.00	\$99.00	\$49.00	\$47.00
(c)	9.6 Kbps	\$350.00	\$99.00	\$49.00	\$47.00
(d)	19.2 Kbps	\$350.00	\$99.00	\$49.00	\$47.00
(e)	56.0 Kbps	\$350.00	\$99.00	\$65.00	\$60.00
(f)	64.0 Kbps	\$350.00	\$99.00	\$65.00	\$60.00

4. Contract Rates for Hub Termination, Per Local Channel

(a)	2.4 Kbps	\$57.00	\$48.00	\$9.75	\$9.50
(b)	4.8 Kbps	\$57.00	\$48.00	\$9.75	\$9.50
(c)	9.6 Kbps	\$57.00	\$48.00	\$9.75	\$9.50
(d)	19.2 Kbps	\$57.00	\$48.00	\$9.75	\$9.50
(e)	56.0 Kbps	\$57.00	\$48.00	\$28.00	\$26.00
(f)	64.0 Kbps	\$57.00	\$48.00	\$28.00	\$26.00

SECTION 7 - DEDICATED ACCESS SERVICES (Cont'd.)

7.5 Rates and Charges (Cont'd.)

7.5.3 Digital Data Access (a.k.a. CCFLC SPA DS0 Digital Data) Service (Cont'd.)

B. Interoffice Channel

	<u>Mileage</u>	<u>Fixed</u>	<u>Monthly</u>	<u>Nonrecurring</u>
	<u>Bands</u>	<u>Monthly</u>	<u>Rate Per</u>	<u>Charge per</u>
		<u>Rate</u>	<u>Mile</u>	<u>Channel</u>
1.	2.4 Kbps			
	(a) 0	\$-	\$-	\$-
	(b) 1-8	20.00	2.05	36.00
	(c) 9 -25	20.00	2.00	36.00
	(d) Over 25+	20.00	1.95	36.00
2.	4.8 Kbps			
	(a) 0	-	-	-
	(b) 1-8	20.00	2.05	36.00
	(c) 9 -25	20.00	2.00	36.00
	(d) Over 25+	20.00	1.95	36.00
3.	9.6 Kbps			
	(a) 0	-	-	-
	(b) 1-8	20.00	2.05	36.00
	(c) 9 -25	20.00	2.00	36.00
	(d) Over 25+	20.00	1.95	36.00
4.	19.2 Kbps			
	(a) 0	-	-	-
	(b) 1-8	20.00	2.05	36.00
	(c) 9 -25	20.00	2.00	36.00
	(d) Over 25+	20.00	1.95	36.00
5.	56 Kbps			
	(a) 0	-	-	-
	(b) 1-8	40.00	4.10	36.00
	(c) 9 -25	40.00	4.00	36.00
	(d) Over 25+	40.00	3.90	36.00
6.	64 Kbps			
	(a) 0	-	-	-
	(b) 1-8	40.00	4.10	36.00
	(c) 9 -25	40.00	4.00	36.00
	(d) Over 25+	40.00	3.90	36.00

Issue date: March 1, 2019

Effective date: March 31, 2019

Issued by: Robert D. Meehan
Title: Director of Regulatory Affairs

SECTION 7 - DEDICATED ACCESS SERVICES (Cont'd.)

7.5 Rates and Charges (Cont'd.)

7.5.3 Digital Data Access (a.k.a. CCFLC SPA DS0 Digital Data) Service (Cont'd.)

B. Interoffice Channel (Cont'd.)

7. 2.4, 4.8, 9.6 and 19.2 Kbps (Contract Rates)

	<u>Mileage</u> <u>Bands</u>	<u>Nonrecurring</u> <u>Charge per</u> <u>Channel</u>	<u>Fixed</u>		<u>Per Mile</u>	
			<u>24-42</u> <u>Mos</u>	<u>43-60</u> <u>Mos</u>	<u>24-42</u> <u>Mos</u>	<u>43-60</u> <u>Mos</u>
(a)	0	\$-	\$-	\$-	\$-	\$-
(b)	1-8	36.00	19.50	19.00	1.90	1.75
(c)	9 -25	36.00	19.50	19.00	1.85	1.70
(d)	Over 25+	36.00	19.50	19.00	1.80	1.65

8. 56.0 and 64.0 Kbps (Contract Rates)

	<u>Mileage</u> <u>Bands</u>	<u>Nonrecurring</u> <u>Charge per</u> <u>Channel</u>	<u>Fixed</u>		<u>Per Mile</u>	
			<u>24-42</u> <u>Mos</u>	<u>43-60</u> <u>Mos</u>	<u>24-42</u> <u>Mos</u>	<u>43-60</u> <u>Mos</u>
(a)	0	-	-	-	-	-
(b)	1-8	36.00	36.00	34.00	3.80	3.50
(c)	9 -25	36.00	36.00	34.00	3.70	3.40
(d)	Over 25+	36.00	36.00	34.00	3.60	3.30

SECTION 7 - DEDICATED ACCESS SERVICES (Cont'd.)

7.5 Rates and Charges (Cont'd.)

7.5.3 Digital Data Access (a.k.a. CCFLC SPA DS0 Digital Data) Service (Cont'd.)

C. Optional Features and Functions

1. Bridging^{1,2}
 - (a) Per Port, (2.4, 4.8, 9.6, 19.2, 56.0 Kbps)

Monthly Rate:	\$23.85
Nonrecurring Charge:	\$25.00

2. Digital Data Secondary Channel Capability, per Local Channel^{1,2}
 - (a) Each

Monthly Rate:	\$15.00
Nonrecurring Charge:	
Initial:	\$0.00
Subsequent:	\$235.00

3. Contract Rates for Bridging^{1,2}
 - (a) Per Port, (2.4, 4.8, 9.6, 19.2, 56.0 Kbps)

Non Recurring Charge	\$25.00
24 to 42 Months:	22.90
43 to 60 Months:	20.95

4. Contract Rates for Digital Data Secondary Channel, per Local Channel^{1,2}
 - (a) Each

Non Recurring Charge	
Initial	\$0.00
Subsequent	\$235.00
24 to 42 Months:	\$14.00
43 to 60 Months:	\$13.00

Note 1: Not available at all service locations.

Note 2: This option is not available with 64.0 Kbps.

SECTION 7 - DEDICATED ACCESS SERVICES (Cont'd.)

7.5 Rates and Charges (Cont'd.)

7.5.4 High Capacity (a.k.a. CCFLC SPA High Capacity) Service

A. Local Channel

1. Per Point of Termination

		<u>Monthly Rate</u>			<u>Nonrecurring Charge</u>	
		<u>Zone 1</u>	<u>Zone 2</u>	<u>Zone 3</u>	<u>First</u>	<u>Addl</u>
(a)	1.544 Mbps	\$145.00	\$145.00	\$145.00	\$745.00	\$335.00
(b)	3.152 Mbps ¹	---	---	---	---	---
(c)	6.312 Mbps ¹	---	---	---	---	---
(d)	44.736 Mbps ¹	---	---	---	---	---

2. 1.544 Mbps Contract Rates

		<u>Nonrecurring Charge</u>		
		<u>First</u>	<u>Addl</u>	
(a)	Per Point of Termination ²	\$745.00	\$335.00	
(b)	Rate Zone 1			<u>24-48</u> <u>Mos</u>
(c)	Rate Zone 2			<u>48-72</u> <u>Mos</u>
(d)	Rate Zone 3			<u>73-96</u> <u>Mos</u>

Note 1: ICB rates and charges apply.

Note 2: Contract lengths are flexible to allow customer choice of payment period per 2.4.9.

SECTION 7 - DEDICATED ACCESS SERVICES (Cont'd.)

7.5 Rates and Charges (Cont'd.)

7.5.4 High Capacity (a.k.a. CCFLC SPA High Capacity) Service (Cont'd.)

B. Interoffice Channel

1. 1.544 Mbps

	Mileage	Fixed Monthly Rate			Monthly Rate Per Mile			Nonrecurring Per Channel
		Zone 1	Zone 2	Zone 3	Zone 1	Zone 2	Zone 3	
(a)	0	---	---	---	---	---	---	---
(b)	1-8	64.35	64.35	64.35	26.00	26.00	26.00	200.00
(c)	9-25	64.35	64.35	64.35	25.00	25.00	25.00	200.00
(d)	25+	64.35	64.35	64.35	24.00	24.00	24.00	200.00

2. 1.544 Mbps

Mileage Bands

a. Contract Rates¹

(1) Per Channel, 0 Mile

		<u>Non</u> <u>recurring</u>	<u>Fixed</u> <u>Monthly</u>	<u>24-48</u> <u>Mos</u>	<u>48-72</u> <u>Mos</u>	<u>73-96</u> <u>Mos</u>
(a)	Rate Zone 1	---	---	---	---	---
(b)	Rate Zone 2	200.00	59.75	-	-	-
(c)	Rate Zone 3	200.00	59.75	-	-	-

(2) Per Channel, 1 thru 8 miles

(a)	Rate Zone 1	200.00	59.75	20.00	18.00	16.00
(b)	Rate Zone 2	200.00	59.75	20.00	18.00	16.00
(c)	Rate Zone 3	200.00	59.75	20.00	18.00	16.00

(3) Per Channel, 9 thru 25 miles

(a)	Rate Zone 1	200.00	59.75	19.00	17.00	15.00
(b)	Rate Zone 2	200.00	59.75	19.00	17.00	15.00
(c)	Rate Zone 3	200.00	59.75	19.00	17.00	15.00

(4) Per Channel, Over 25 Miles

(a)	Rate Zone 1	200.00	59.75	18.00	16.00	14.00
(b)	Rate Zone 2	200.00	59.75	18.00	16.00	14.00
(c)	Rate Zone 3	200.00	59.75	18.00	16.00	14.00

Note 1: Contract lengths are flexible to allow customer choice of payment period per 2.4.9.

SECTION 7 - DEDICATED ACCESS SERVICES (Cont'd.)

7.5 Rates and Charges (Cont'd.)

7.5.4 High Capacity (a.k.a. CCFLC SPA High Capacity) Service (Cont'd.)

B. Interoffice Channel

3. 3.152 Mbps¹

	<u>Mileage Bands</u>	<u>Fixed Monthly</u>	<u>Monthly Per Mile</u>	<u>Non-recurring Per channel</u>
(a)	0 mile	---	---	---
(b)	1 thru 8 miles	---	---	---
(c)	9 thru 25 miles	---	---	---
(d)	Over 25 miles	---	---	---

4. 6.312 Mbps¹

(a)	0 mile	---	---	---
(b)	1 thru 8 miles	---	---	---
(c)	9 thru 25 miles	---	---	---
(d)	Over 25 miles	---	---	---

5. 44.736 Mbps¹

(a)	0 mile	---	---	---
(b)	1 thru 8 miles	---	---	---
(c)	9 thru 25 miles	---	---	---
(d)	Over 25 miles	---	---	---

Note 1: ICB rates and charges apply.

SECTION 7 - DEDICATED ACCESS SERVICES (Cont'd.)

7.5 Rates and Charges (Cont'd.)

7.5.4 High Capacity (a.k.a. CCFLC SPA High Capacity) Service (Cont'd.)

C. Optional Features and Functions

1. Channelization

		<u>Monthly</u>	<u>Non</u>
		<u>Rate</u>	<u>Recurring</u>
a.	DS3 Channelization		
	(1) DS3 to DS1		
	(a) Per arrangement ¹	---	---
b.	DS2 Channelization		
	(1) DS2 to DS1		
	(a) Per arrangement ¹	---	---
c.	DS1C Channelization		
	(1) DS1C to DS1		
	(a) Per arrangement ²	---	---
d.	DS1 Channelization		
	(1) DS1 Basic Channelization System (DS1 to VG/DS0)		
		<u>Zone</u>	<u>Zone</u>
		<u>1</u>	<u>2</u>
		<u>3</u>	<u>Non</u>
			<u>recurring</u>
	(a) Per System	\$200.00	\$210.00
		\$210.00	\$135.00
e.	DS0 Channelization		
	(1) DS0 Basic Channelization System (DS0 to Subrate)		
	(Per System)		
		<u>Monthly</u>	<u>Non</u>
		<u>Rate</u>	<u>Recurring</u>
	(a) Maximum of 20, 2.4 Kbps services	\$120.00	\$135.00
	(b) Maximum of 10, 4.8 Kbps services	120.00	135.00
	(c) Maximum of 5,9.6 Kbps services	120.00	135.00

Note 1: Contract rates are flexible to allow customer choice of payment period per 2.4.9

Note 2: An additional Local Channel charge will apply whenever the spare line is provided as a leg to the customer premises. This feature may not be available with lines utilizing the Clear Channel Capability line code (B8ZS).

SECTION 7 - DEDICATED ACCESS SERVICES (Cont'd.)

7.5 Rates and Charges (Cont'd.)

7.5.4 High Capacity (a.k.a. CCFLC SPA High Capacity) Service (Cont'd.)

C. Optional Features and Functions (Cont'd.)

2. Channel Interfaces (Per Interface)

A. Sub-DS3 Interfaces

(1) DS1 Level Central Office Channel Interface¹

		<u>Non</u>	<u>Month-</u>	<u>24-48</u>	<u>48-72</u>	<u>73-96</u>
		<u>recurring</u>	<u>to-</u>	<u>Mos</u>	<u>Mos</u>	<u>Mos</u>
			<u>Month</u>			
(a)	Asynchronous	\$155.00	\$12.00	\$8.00	\$7.00	\$6.00
(b)	Synchronous	130.00	36.00	31.00	28.00	25.00

(2) DS1 Level Customer Channel Interface¹

(a)	Asynchronous	295.00	17.00	13.00	13.00	13.00
(b)	Synchronous	245.00	45.00	36.00	33.00	30.00

B. Sub-DS1 Interfaces

(1) VG/DS0 Level Central Office Channel Interface¹

		<u>First</u>	<u>Add'l</u>	<u>Month-to-</u>
				<u>Month</u>
(a)	CCFLC SWA	\$0.00	\$0.00	\$0.00
(b)	Telegraph (CCFLC SPA Telegraph)	7.00	6.00	5.00
(c)	Voice (CCFLC SPA DS0 VG)	7.00	6.00	9.00
(d)	DDAS (CCFLC SPA DS0 Digital Data)	7.00	6.00	13.00

C. Sub-DS0 Interfaces

(1) Subrate Central Office Channel Interface¹

(a)	Subrate (2.4,4.8, & 9.6 Kbps)	7.00	6.00	13.00
-----	----------------------------------	------	------	-------

Note 1: Contract rates are flexible to allow customer choice of payment period per 2.4.9

SECTION 7 - DEDICATED ACCESS SERVICES (Cont'd.)

7.5 Rates and Charges (Cont'd.)

7.5.4 High Capacity (a.k.a. CCFLC SPA High Capacity) Service (Cont'd.)

C. Optional Features and Functions (Cont'd.)

3. Clear Channel Capability is furnished on a per DS1 service channel basis.

Per DS 1/1.544 Mbps High Capacity Channel optioned as:

(a)	Superframe Format (SF)	--	--	655.00
(b)	Extended Superframe Format (ESF)	--	--	655.00

7.5.5 Digital Data Access Service

A. Local Channel

1. Per Point of Termination

		Monthly Rate	Nonrecurring Charge	
			First	Add'l
(a)	2.4 Kbps	\$49.35	\$390.00	\$125.00
(b)	4.8 Kbps	49.35	390.00	125.00
(c)	9.6 Kbps	49.35	390.00	125.00
(d)	19.2 Kbps	49.35	390.00	125.00
(e)	56.0 Kbps	69.10	390.00	125.00
(f)	64.0 Kbps	69.10	390.00	125.00

2. Hub Termination, Per Local Channel

		Rate	First	Add'l
(a)	2.4 Kbps	9.40	70.00	49.00
(b)	4.8 Kbps	9.40	70.00	49.00
(c)	9.6 Kbps	9.40	70.00	49.00
(d)	19.2 Kbps	9.40	70.00	49.00
(e)	56.0 Kbps	27.80	70.00	49.00
(f)	64.0 Kbps	27.80	70.00	49.00

Note 1: Contract rates are flexible to allow customer choice of payment period per 2.4.9.

SECTION 7 - DEDICATED ACCESS SERVICES (Cont'd.)

7.5 Rates and Charges (Cont'd.)

7.5.5 Digital Data Access Service

A. Local Channel (Cont'd.)

3. Local Channel Contract Rates Per Point of Termination

		Nonrecurring Charge		24 - 42	43 - 60
		<u>First</u>	<u>Add'l</u>	<u>Months</u>	<u>Months</u>
(a)	2.4 Kbps	390.00	125.00	48.35	\$46.35
(b)	4.8 Kbps	390.00	125.00	48.35	46.35
(c)	9.6 Kbps	390.00	125.00	48.35	46.35
(d)	19.2 Kbps	390.00	125.00	48.35	46.35
(e)	56.0 Kbps	390.00	125.00	64.20	59.25
(f)	64.0 Kbps	390.00	125.00	64.20	59.25

4. Contract Rates for Hub Termination, Per Local Channel

(a)	2.4 Kbps	70.00	49.00	9.15	8.90
(b)	4.8 Kbps	70.00	49.00	9.15	8.90
(c)	9.6 Kbps	70.00	49.00	9.15	8.90
(d)	19.2 Kbps	70.00	49.00	9.15	8.90
(e)	56.0 Kbps	70.00	49.00	25.95	24.10
(f)	64.0 Kbps	70.00	49.00	25.95	24.10

B. Interoffice Channel

		<u>Mileage</u>	<u>Fixed</u>	<u>Monthly</u>	<u>Nonrecurring</u>
		<u>Band</u>	<u>Monthly</u>	<u>Rate per</u>	<u>Charge per</u>
			<u>Rate</u>	<u>mile</u>	<u>Channel</u>
1.	2.4 Kbps				
(a)	0		--	--	--
(b)	1-8		18.95	1.90	67.00
(c)	9-25		18.95	1.85	67.00
(d)	25+		18.95	1.80	67.00
2.	4.8 Kbps				
(a)	0		--	--	--
(b)	1-8		18.95	1.90	67.00
(c)	9-25		18.95	1.85	67.00
3.	9.6 Kbps				
(a)	0		--	--	--
(b)	1-8		18.95	1.90	67.00
(c)	0-25		18.95	1.85	67.00
(d)	25+		18.95	1.80	67.00

SECTION 7 - DEDICATED ACCESS SERVICES (Cont'd.)

7.5 Rates and Charges (Cont'd.)

7.5.5 Digital Data Access Service (Cont'd.)

B. Interoffice Channel (Cont'd.)

	<u>Mileage</u> <u>Band</u>	<u>Fixed</u> <u>Monthly</u> <u>Rate</u>	<u>Monthly</u> <u>Rate per</u> <u>mile</u>	<u>Nonrecurring</u> <u>Charge per</u> <u>Channel</u>		
4.	19.2 Kbps					
(a)	0	--	--	--		
(b)	1-8	18.95	1.90	67.00		
(c)	9-25	18.95	1.85	67.00		
(d)	25+	18.95	1.80	67.00		
5.	56 Kbps					
(a)	0	--	--	--		
(b)	1-8	37.55	3.80	67.00		
(c)	9-25	37.55	3.70	67.00		
(d)	25+	37.55	3.60	67.00		
6.	64 Kbps					
(a)	0	--	--	--		
(b)	1-8	37.55	3.80	67.00		
(c)	9-25	37.55	3.70	67.00		
(d)	25+	37.55	3.60	67.00		
7.	2.4, 4.8, 9.6 and 19.2 Kbps (Contract Rates)					
	<u>Mileage</u> <u>Band</u>	<u>Non</u> <u>recurring</u>	<u>Fixed</u> <u>24-42</u> <u>Months</u>	<u>43-60</u> <u>Months</u>	<u>Per Mile</u> <u>24-42</u> <u>Months</u>	<u>43-60</u> <u>Months</u>
(a)	0	--	--	--	--	--
(b)	1-8	67.00	18.45	18.00	1.75	1.65
(c)	9-25	67.00	18.45	18.00	1.70	1.60
(d)	25+	67.00	18.45	18.00	1.65	1.55
8.	56.0 and 64.0 Kbps (Contract Rates)					
(a)	0	--	--	--	--	--
(b)	1-8	67.00	33.80	31.90	3.55	3.25
(c)	9-25	67.00	33.80	31.90	3.45	3.15
(d)	25+	67.00	33.80	31.90	3.35	3.05

SECTION 7 - DEDICATED ACCESS SERVICES (Cont'd.)

7.5 Rates and Charges (Cont'd.)

7.5.5 Digital Data Access Service (Cont'd.)

C. Optional Features and Functions

1. Bridging^{1,2}

	<u>Monthly</u> <u>Rate</u>	<u>Nonrecurring</u> <u>Charge</u>
(a) Per port (2.4, 4.8, 9.6, 19.2, 56.0 Kbps)	\$23.85	\$25.00

2. Digital Data Secondary Channel Capability, per Local Channel^{1,2}

	<u>Monthly</u> <u>Rate</u>	<u>Initial</u>	<u>Nonrecurring</u> <u>Add'l</u>
(a) Each	\$15.00	--	\$235.00

3. Contract Rates For Bridging^{1,2}

	<u>Mileage</u> <u>Band</u>	<u>Non</u> <u>Recurring</u> <u>Charge</u>	<u>24-42</u> <u>Months</u>	<u>43-60</u> <u>Months</u>
(a) Per port (2.4, 4.8, 9.6, 19.2, 56.0 Kbps)		\$25.00	\$22.90	\$20.95

4. Contract Rates for Digital Data Secondary Channel, per Local Channel^{1,2}

	<u>Initial</u>	<u>Nonrecurring</u> <u>Add'l</u>	<u>24-42</u> <u>Months</u>	<u>43-60</u> <u>Months</u>
(a) Each	--	\$235.00	\$14.00	\$13.00

Note 1: Not available at all service locations.

Note 2: This option is not available with 64.0 Kbps.

SECTION 7 - DEDICATED ACCESS SERVICES (Cont'd.)

7.5 Rates and Charges (Cont'd.)

7.5.6 Reconfiguration Charges

A. Rates and Charges

(1) Per Customer Request for Voice Grade (a.k.a. CCFLC SPA DS0 VG) Reconfiguration

	<u>Nonrecurring Charge</u>
(a) Each	\$33.00
(b) Per Voice Grade (a.k.a. CCFLC SPA DS0 VG) circuit reconfigured	23.00

(2) Per Customer Request for DDAS (a.k.a. CCFLC SPA DS0 Digital Data) reconfiguration

(a) Each	33.00
(b) Per DDAS (a.k.a. CCFLC SPA DS0 Digital Data) circuit reconfigured	23.00

(3) Per Customer Request for DS1 reconfiguration

(a) Each	52.00
(b) Per DS1 circuit reconfigured	33.00

7.5.7 Transfer of Service

A. Transfer of Service

1. Dedicated Access Circuits

(a) Per Billing Account Number	50.00
(b) Per circuit	6.00

SECTION 7 - DEDICATED ACCESS SERVICES (Cont'd.)

7.5 Rates and Charges (Cont'd.)

7.5.8 Derived Data Channel (a.k.a. CCFLC SPA Derived Data Channel) Service

A. Local Channel

1. Derived Data Channel (a.k.a. CCFLC SPA Derived Data Channel)

		<u>Non</u> <u>Recurring</u> <u>Charge</u>	<u>Month</u> <u>to</u> <u>Month</u>	<u>24-42</u> <u>Months</u>	<u>43-60</u> <u>Months</u>
(a)	Per channel at 2.4 Kbps	\$460.00	\$17.00	\$13.50	\$11.00

2. DS0-B Interface

(a)	Per group of twenty channels at 2.4 Kbps each	330.00	70.00	65.00	62.00
-----	---	--------	-------	-------	-------

B. Interoffice Channel

1. Per group of twenty channels at 2.4 Kbps each

(a)	Fixed	95.00	25.00	23.00	22.00
(b)	Per mile	-	2.05	1.90	1.75

SECTION 7 - DEDICATED ACCESS SERVICES (Cont'd.)

7.5 Rates and Charges (Cont'd.)

7.5.9 SPA Customer Reconfiguration

A. Basic SPA Customer Reconfiguration

1. DS0 Channel Connections

	<u>Non Recurring Charge</u>	<u>Month to Month</u>	<u>24-48 Months</u>	<u>48-72 Months</u>	<u>73-96 Months</u>
(a) Voice Grade Type, per DS0 channel	\$35.00	\$14.90	\$13.70	\$12.70	11.90
(b) Digital Type, per DS0 channel	35.00	8.50	7.80	7.25	6.80

2. DS1 Channel Connections

(a) DS0 Switching, per DS1	125.00	110.00	100.00	92.00	85.00
(b) DS1 Switching, per DS1 channel	125.00	65.00	60.00	55.00	52.00
(c) Surveillance - DS1 Level, per channel	125.00	65.00	60.00	55.00	52.00

3. DS3 Channel Connections

(a) Surveillance - DS1 Level, per channel	125.00	375.00	345.00	320.00	300.00
(b) Surveillance - DS3 Level, per DS3 channel	125.00	150.00	138.00	128.00	120.00

SECTION 7 - DEDICATED ACCESS SERVICES (Cont'd.)

7.5 Rates and Charges (Cont'd.)

7.5.9 SPA Customer Reconfiguration (Cont'd.)

B. SPA Customer Reconfiguration Options

1. Multipoint Bridging

	<u>Non Recurring Charge</u>	<u>Month to Month</u>	<u>24-48 Months</u>	<u>48-72 Months</u>	<u>73-96 Months</u>
(a) Voice Grade Connections, per bridging leg	20.00	5.00	4.50	4.40	4.30
(b) Multipoint Junction Unit, per 2.4, 4.8, 9.6 or 56 Kbps channel ¹	15.00	6.00	5.25	5.00	4.75
(c) Multipoint Junction Unit, per 19.2 channel ¹	15.00	9.45	8.90	8.40	7.90

2. Subrate Reconfiguration Capability

		<u>Nonrecurring</u>			
	<u>Non Recurring Charge</u>	<u>Month to Month</u>	<u>24-48 Months</u>	<u>48-72 Months</u>	<u>73-96 Months</u>
(a) Per DS0 equipped			\$45.00		
(b) 9.6 Kbps, per DS0A requires 5	\$5.00	\$8.75	\$8.15	\$7.60	\$7.20
(c) 4.8 Kbps, per DS0A requires 10	5.00	7.40	6.80	6.30	5.95
(d) 2.4 Kbps, per DS0A requires 20	\$5.00	\$7.00	\$6.45	\$5.95	\$5.60

Note 1: Must purchase in units of five.

SECTION 7 - DEDICATED ACCESS SERVICES (Cont'd.)

7.5 Rates and Charges (Cont'd.)

7.5.9 SPA Customer Reconfiguration (Cont'd.)

B. SPA Customer Reconfiguration Options (Cont'd.)

2. Subrate Reconfiguration Capability (Cont'd.)

3. Additional Concurrent User Access

		<u>Non</u>	<u>Month to</u>	<u>24-48</u>	<u>48-72</u>	<u>73-96</u>
		<u>Recurring</u>	<u>Month</u>	<u>Months</u>	<u>Months</u>	<u>Months</u>
		<u>Charge</u>				
(a)	Per Additional User Access	125.00	68.00	60.00	57.00	54.00
	4. Additional User Identification Codes					<u>Nonrecurring</u>
	(a) Per Additional Code					\$3.00
	5. Additional Customer Training					
	(a) Per eight hour day of training after initial installation				450.00	
	6. Reconfiguration by Company Personnel					
	(a) Request for Company to perform reconfiguration activity				25.00	

SECTION 7 - DEDICATED ACCESS SERVICES (Cont'd.)

7.5 Rates and Charges (Cont'd.)

7.5.10 SPA Shared Ring

A. SPA Shared Ring Area Connection

1. 1.544 Mbps

		<u>Nonrecurring Charges</u>			<u>Plan A</u>	<u>Plan B</u>
		<u>First</u>	<u>Add'l</u>	<u>Month-to</u>	<u>24-48</u>	<u>49-72</u>
				<u>Month</u>	<u>Months</u>	<u>Months</u>
(a)	Per SPA Shared Ring service	\$430.00	\$140.00	\$420.00	\$295.00	\$280.00

B. SPA Shared Ring Area Junction

1. 1.544 Mbps

(a)	Per Customer Designated Premises	430.00	140.00	138.00	90.00	70.00
(b)	Per Serving Wire Center Connection	430.00	140.00	70.00	35.00	30.00

SECTION 7 - DEDICATED ACCESS SERVICES (Cont'd.)

7.5 Rates and Charges (Cont'd.)

7.5.11 Dedicated Ring

A. Self-healing Multi-nodal Alternate Route Topology Ring - Month-to-Month

1. Local Channel (All capacities except OC-1)

	<u>Month to</u> <u>Month</u>	<u>Nonrecurring</u>
(a) Per Local Channel	--	\$410.00
(b) Per Quarter Air Mile	\$95.00	--

2. Alternate Central Office (All capacities except OC-1)

(a) Per Alternate C.O. Channel	--	465.00
(b) Per Quarter Air Mile	1,500.00	--

3. Interoffice Channel (All capacities except OC-1)

(a) Per Channel, except OC-192 and OC-192+ Capacity	--	155.00
(b) Fixed, OC-3 Capacity	50.00	--
(c) Fixed, OC-3+, OC-12, OC-48 or OC-48+ Capacity	175.00	--
(d) Fixed, OC- 192 or OC- 192+ Capacity	600.00	300.00
(e) Per Quarter Air Mile, OC-3 Capacity	45.00	--
(f) Per Quarter Air Mile, OC-3+, OC-12, OC-48 or OC-48+ Capacity	55.00	--
(g) Per Quarter Air Mile, OC-192 or OC-192+ Capacity	55.00	--

SECTION 7 - DEDICATED ACCESS SERVICES (Cont'd.)

7.5 Rates and Charges (Cont'd.)

7.5.11 Dedicated Ring (Cont'd.)

A. Self-healing Multi-nodal Alternate Route Topology Ring - Month-to-Month (Cont'd.)

4. Internodal Channel (All capacities except OC-1)

	<u>Month to</u> <u>Month</u>	<u>Nonrecurring</u>
(a) Per Internodal Channel, Same Wire Center Area, Per Quarter Mile	3,000.00	435.00
(b) Per Internodal Channel, Same Office Park/Campus Environment in Contiguous Serving Wire Center Areas, Per Quarter Air Mile	3,500.00	435.00

5. Customer Node (Per Customer Node)

(a) OC-1 Capacity	800.00	430.00
(b) OC-3 Capacity	2,200.00	485.00
(c) OC-3+ Capacity	3,000.00	485.00
(d) OC-12 Capacity	3,400.00	485.00
(e) OC-48 Capacity	5,800.00	485.00
(f) OC-48+ Capacity	6,500.00	485.00
(g) OC-192 Capacity	25,000.00	640.00
(h) OC-192+ Capacity	25,000.00	640.00

SECTION 7 - DEDICATED ACCESS SERVICES (Cont'd.)

7.5 Rates and Charges (Cont'd.)

7.5.11 Dedicated Ring (Cont'd.)

A. Self-healing Multi-nodal Alternate Route Topology Ring - Month-to-Month (Cont'd.)

6. Customer Channel Interface (Per Customer Node)

		<u>Month to</u> <u>Month</u>	<u>Nonrecurring</u>
(a)	Per DS1	35.00	240.00
(b)	Per DS3	170.00	110.00
(c)	Per STS-1	220.00	110.00
(d)	Per OC-1	100.00	115.00
(e)	Per OC-3, 2-Fiber	240.00	110.00
(f)	Per OC-3, 4-Fiber	475.00	110.00
(g)	Per OC-12, 2-Fiber	715.00	115.00
(h)	Per OC-12, 4-Fiber	1,430.00	115.00
(i)	Per OC-48, 2-Fiber	1,600.00	640.00
(j)	Per OC-48, 4-Fiber	3,200.00	640.00
(k)	Per 1000 Mbps	740.00	540.00
(l)	Per 100 Mbps (1 STS-1) CCFLC Metro Ethernet Backbone		
(m)	Per 100 Mbps (3 STS-1) CCFLC Metro Ethernet Backbone	540.00	800.00
(n)	Per 1000 Mbps CCFLC Metro Ethernet Backbone	740.00	850.00
(o)	Per Fractional 1000 Mbps Metro Ethernet Backbone		
	150 Mbps (3 STS-1)	\$560.00	\$850.00
	300 Mbps (6 STS-1)	600.00	850.00
	450 Mbps (9 STS-1)	640.00	850.00
	600 Mbps (12 STS-1)	700.00	850.00

SECTION 7 - DEDICATED ACCESS SERVICES (Cont'd.)

7.5 Rates and Charges (Cont'd.)

7.5.11 Dedicated Ring (Cont'd.)

A. Self-healing Multi-nodal Alternate Route Topology Ring - Month-to-Month (Cont'd.)

7. Central Office Node (Per Central Office Node)

	<u>Month to</u>	<u>Nonrecurring</u>
	<u>Month</u>	
(a) OC-1 Capacity	\$600.00	\$425.00
(b) OC-3 Capacity	1,400.00	485.00
(c) OC-3+ Capacity	2,500.00	485.00
(d) OC-12 Capacity	2,600.00	485.00
(e) OC-48 Capacity	5,400.00	485.00
(f) OC-48+ Capacity	6,100.00	485.00
(g) OC-192 Capacity	25,000.00	640.00
(h) OC-192+ Capacity	25,000.00	640.00
(i) OC-3 Shared Node	980.00	550.00
Interconnection		
(j) OC-12 Shared Node	1,820.00	550.00
Interconnection		
(k) OC-48 Shared Node	3,400.00	550.00
Interconnection		
(l) OC-48+ Shared	3,840.00	550.00
Node		
Interconnection		

SECTION 7 - DEDICATED ACCESS SERVICES (Cont'd.)

7.5 Rates and Charges (Cont'd.)

7.5.11 Dedicated Ring (Cont'd.)

A. Self-healing Multi-nodal Alternate Route Topology Ring - Month-to-Month (Cont'd.)

8. Central Office Channel Interface (Per Central Office Node)

		<u>Month to</u> <u>Month</u>	<u>Nonrecurring</u>
(a)	Per DS1	\$35.00	\$100.00
(b)	Per DS3	115.00	155.00
(c)	Per STS-1	150.00	160.00
(d)	Per OC- 1	100.00	170.00
(e)	Per OC-3, 2-Fiber	240.00	105.00
(f)	Per OC-3, 4-Fiber	425.00	105.00
(g)	Per OC-12,2-Fiber	640.00	105.00
(h)	Per OC-12,4-Fiber	1,280.00	105.00
(i)	Per OC-48, 2-Fiber	1,600.00	640.00
(j)	Per OC-48,4-Fiber	3,200.00	640.00
(k)	Per 28 DS1 Channel System - DS3	650.00	130.00
(l)	Per 28 DS1 Channel System - STS-1	750.00	130.00
(m)	Per DS1 on 28 DS1 Channel System - DS3	12.00	130.00
(n)	Per DS1 on 28 DS1 Channel System - STS-1	40.00	82.00
(o)	Per 1000 Mbps	740.00	400.00
(p)	Per 100 Mbps (I STS-1) CCFLC Metro Ethernet Backbone	500.00	800.00
(q)	Per 100 Mbps (3 STS-1) CCFLC Metro Ethernet Backbone	540.00	800.00
(r)	Per 1000 Mbps CCFLC Metro Ethernet Backbone	740.00	850.00
(s)	Per Fractional 1000 Mbps Metro Ethernet Backbone		
	- 150 Mbps (3 STS-1)	560.00	850.00
	- 300 Mbps (6 STS-1)	600.00	850.00
	- 450 Mbps (9 STS-1)	640.00	850.00
	- 600 Mbps (12 STS- 1)	700.00	850.00

SECTION 7 - DEDICATED ACCESS SERVICES (Cont'd.)

7.5 Rates and Charges (Cont'd.)

7.5.11 Dedicated Ring (Cont'd.)

B. Self-healing Multi-nodal Alternate Route Topology Ring - Transport Payment Plan

1. Local Channel (All capacities except OC-1)

Per Month Rates		
12-36	37-60	61-96
Mos.	Mos.	Mos.

(a) Per Quarter Air Mile	\$85.00	\$75.00	\$70.00
--------------------------	---------	---------	---------

2. Alternate Central Office (All capacities except OC-1)

(a) Per Quarter Air Mile	400.00	250.00	200.00
--------------------------	--------	--------	--------

3. Interoffice Channel (All capacities except OC-1)

(a) Fixed, OC-3 Capacity	40.00	35.00	30.00
--------------------------	-------	-------	-------

(b) Fixed, OC-3+, OC- 12, OC-48 or OC-48+ Capacity	155.00	140.00	130.00
---	--------	--------	--------

(c) Fixed, OC-192 or OC-192+ Capacity	450.00	400.00	380.00
---------------------------------------	--------	--------	--------

(d) Per Quarter Air Mile, OC-3 Capacity	35.00	25.00	20.00
---	-------	-------	-------

(e) Per Quarter Air Mile, OC-3+, OC-12, PC-48 or OC48+ Capacity	40.00	33.00	25.00
--	-------	-------	-------

(f) Per Quarter Air Mile, OC-192 or OC-192+ Capacity	40.00	33.00	25.00
---	-------	-------	-------

SECTION 7 - DEDICATED ACCESS SERVICES (Cont'd.)

7.5 Rates and Charges (Cont'd.)

7.5.11 Dedicated Ring (Cont'd.)

B. Self-healing Multi-nodal Alternate Route Topology Ring - Transport Payment Plan (Cont'd.)

4. Internodal Channel (All capacities except OC-1)

		Per Month Rates		
		12-36	37-60	61-96
		Months	Months	Months
(a)	Per Internodal Channel, Same Wire Center Area, Per Quarter Air Mile	690.00	415.00	345.00
(b)	Per Internodal Channel, Same Office Park/Campus Environment in Contiguous Serving Wire Center areas, per Quarter Air Mile	780.00	465.00	390.00

5. Customer Node (Per Customer Node)

(a)	OC-1 Capacity	400.00	350.00	300.00
(b)	OC-3 Capacity	1,100.00	1,000.00	900.00
(c)	OC-3+ Capacity	2,050.00	1,750.00	1,500.00
(d)	OC-12 Capacity	2,200.00	2,000.00	1,750.00
(e)	OC-48 Capacity	4,900.00	4,500.00	3,900.00
(f)	OC-48+ Capacity	4,900.00	4,500.00	3,900.00
(g)	OC- 192 Capacity	9,375.00	8,250.00	7,300.00
(h)	OC-192+ Capacity	9,375.00	8,250.00	7,300.00

SECTION 7 - DEDICATED ACCESS SERVICES (Cont'd.)

7.5 Rates and Charges (Cont'd.)

7.5.11 Dedicated Ring (Cont'd.)

B. Self-healing Multi-nodal Alternate Route Topology Ring - Transport Payment Plan (Cont'd.)

6. Customer Channel Interface (Per Customer Node

		Per Month Rates		
		12-36	37-60	61-96
		Months	Months	Months
(a)	Per DS1	34.00	27.00	21.00
(b)	Per DS3	135.00	130.00	125.00
(c)	Per STS- 1	170.00	150.00	140.00
(d)	Per OC-1	90.00	80.00	75.00
(e)	Per OC-3, 2-Fiber	190.00	175.00	160.00
(f)	Per OC-3, 4-Fiber	380.00	350.00	320.00
(g)	Per OC- 12, 2-Fiber	570.00	525.00	480.00
(h)	Per OC-12, 4-Fiber	1,140.00	1,050.00	960.00
(i)	Per OC-48, 2-Fiber	1,325.00	1,215.00	1,050.00
(j)	Per OC-48, 4-Fiber	2,650.00	2,430.00	2,100.00
(k)	Per 1000 Mbps	520.00	475.00	425.00
(l)	Per 100 Mbps (1 STS-1) CCFLC Metro Ethernet Backbone	175.00	155.00	140.00
(m)	Per 100 Mbps (3 STS-1) CCFLC Metro Ethernet Backbone	210.00	190.00	170.00
(n)	Per 1000 Mbps CCFLC Metro Ethernet Backbone	520.00	475.00	425.00
(o)	Per Fractional 1000 Mbps Metro Ethernet Backbone			
	150 Mbps (3 STS-1)	230.00	210.00	190.00
	300 Mbps (3 STS-1)	300.00	280.00	260.00
	450 Mbps (3 STS-1)	340.00	310.00	290.00
	650 Mbps (3 STS-1)	380.00	340.00	320.00

SECTION 7 - DEDICATED ACCESS SERVICES (Cont'd.)

7.5 Rates and Charges (Cont'd.)

7.5.11 Dedicated Ring (Cont'd.)

B. Self-healing Multi-nodal Alternate Route Topology Ring - Transport Payment Plan (Cont'd.)

7. Central Office Node (Per Central Office Node)

		Per Month Rates		
		12-36	37-60	61-96
		Months	Months	Months
(a)	OC-1 Capacity	400.00	350.00	300.00
(b)	OC-3 Capacity	1,100.00	1,000.00	900.00
(c)	OC-3+ Capacity	2,050.00	1,750.00	1,500.00
(d)	OC-12 Capacity	2,200.00	2,000.00	1,750.00
(e)	OC-48 Capacity	4,900.00	4,500.00	3,900.00
(f)	OC-48+ Capacity	4,900.00	4,500.00	3,900.00
(g)	OC-192 Capacity	9,375.00	8,250.00	7,300.00
(h)	OC- 192+ Capacity	9,375.00	8,250.00	7,300.00
(i)	OC-3 Shared Node Interconnection	690.00	630.00	570.00
(j)	OC- 12 Shared Node Interconnection	1,390.00	1,260.00	1,100.00
(k)	OC-48 Shared Node Interconnection	2,880.00	2,840.00	2,460.00
(l)	OC-48+ Shared Node Interconnection	2,880.00	2,840.00	2,460.00

SECTION 7 - DEDICATED ACCESS SERVICES (Cont'd.)

7.5 Rates and Charges (Cont'd.)

7.5.11 Dedicated Ring (Cont'd.)

B. Self-healing Multi-nodal Alternate Route Topology Ring - Transport Payment Plan (Cont'd.)

8. Central Office Channel Interface (Per Central Office Node)

		Per Month Rates		
		12-36	37-60	61-96
		<u>Months</u>	<u>Months</u>	<u>Months</u>
(a)	Per DS1	\$30.00	\$25.00	\$20.00
(b)	Per DS3	85.00	80.00	75.00
(c)	Per STS- 1	105.00	100.00	90.00
(d)	Per OC-1	90.00	80.00	75.00
(e)	Per OC-3, 2-Fiber	190.00	175.00	160.00
(f)	Per OC-3, 4-Fiber	330.00	300.00	270.00
(g)	Per OC-I 2, 2-Fiber	495.00	450.00	405.00
(h)	Per OC-12, 4-Fiber	990.00	900.00	810.00
(i)	Per OC-48, 2-Fiber	1,325.00	1,215.00	1,050.00
(j)	Per OC-48, 4-Fiber	2,650.00	2,430.00	2,100.00
(k)	Per 28 DS1 Channel System -DS3	550.00	500.00	450.00
(l)	Per 28 DS1 Channel System - STS-1	650.00	600.00	575.00
(m)	Per DS1 on 28 DS1 Channel System - DS3	12.00	9.00	7.00
(n)	Per DS1 on 28 DS1 Channel System - STS-1	35.00	30.00	25.00
(o)	Per 1000 Mbps	520.00	475.00	425.00
(p)	Per 100 Mbps (1 STS-1) CCFLC Metro Ethernet Backbone	175.00	155.00	140.00
(q)	Per 100 Mbps (3 STS-1) CCFLC Metro Ethernet Backbone	210.00	190.00	170.00
(r)	Per 1000 Mbps CCFLC Metro Ethernet Backbone	520.00	475.00	425.00
(s)	Per Fractional 1000 Mbps Metro Ethernet Backbone			
	150 Mbps (3 STS-1)	230.00	210.00	190.00
	300 Mbps (6 STS-1)	300.00	280.00	260.00
	450 Mbps (9 STS-1)	340.00	310.00	290.00
	600 Mbps (12 STS-1)	380.00	340.00	320.00

C. Self-healing Multi-nodal Alternate Route Topology Ring

1.	Channel Interface Reallocation	Nonrecurring Charge
(a)	Per Node, Per Occurrence	\$250.00

SECTION 7 - DEDICATED ACCESS SERVICES (Cont'd.)

7.5 Rates and Charges (Cont'd.)

7.5.12 Channels For Use With SPA Managed Shared Ring Network

		Month to	36 Months	60 months
		Month		
A.	On-Net Channels			
	1. Per Channel			
	(a) On-Net DS1	\$440.00	\$320.00	\$280.00
	(b) On-Net DS3	4,100.00	3,300.00	2,700.00
B.	Off-Net Channels			
	1. Per Channel			
	(a) Off-Net DS1	267.50	167.50	142.50
	(b) Off-Net DS3	3,300.00	2,550.00	2,100.00

7.5.13 CCFLC Metro Ethernet Service

A. Rates and charges for Month-to-Month Service

1. Basic CCFLC Metro Ethernet Service Arrangements

		Nonrecurring	Month to
		<u>Charge</u>	<u>Month</u>
(a)	2 Mbps Basic Connection, Per Connection	\$ 950.00	\$ 495.00
(b)	4 Mbps Basic Connection, Per Connection	950.00	515.00
(c)	8 Mbps Basic Connection, Per Connection	950.00	600.00
(d)	10 Mbps Basic Connection, Per Connection	900.00	680.00
(e)	100 Mbps Basic Connection, Per Connection	900.00	1,310.00
(f)	1 Gbps Basic Connection, Per Connection	1,000.00	2,850.00

SECTION 7 - DEDICATED ACCESS SERVICES (Cont'd.)

7.5 Rates and Charges (Cont'd.)

7.5.13 CCFLC Metro Ethernet Service (Cont'd.)

A. Rates and charges for Month-to-Month Service (Cont'd.)

2. Premium CCFLC Metro Ethernet Service Arrangements

		Nonrecurring Charge	Month to Month
(a)	2 Mbps Premium Connection, Per Connection, Fixed Mode	950.00	548.00
(b)	4 Mbps Premium Connection Per Connection, Fixed Mode	950.00	576.00
(c)	8 Mbps Premium Connection Per Connection, Fixed Mode	950.00	664.00
(d)	10 Mbps Premium Connection Per Connection, Fixed Mode	900.00	904.00
	Per Connection, Burst Mode	900.00	1,133.00
(e)	20 Mbps Premium Connection		
	Per Connection, Fixed Mode	900.00	1,128.00
	Per Connection, Burst Mode	900.00	1,268.00
(f)	50 Mbps Premium Connection		
	Per Connection, Fixed Mode	900.00	1,488.00
	Per Connection, Burst Mode	900.00	1,545.00
(g)	100 Mbps Premium Connection		
	Per Connection, Fixed Mode	1,000.00	1,800.00
	Per Connection, Burst Mode	1,000.00	2,018.00
(h)	250 Mbps Premium Connection		
	Per Connection, Fixed Mode	1,000.00	2,248.00
	Per Connection, Burst Mode	19000.00	2,415.00
(i)	500 Mbps Premium Connection		
	Per Connection, Fixed Mode	1,000.00	2,992.00
	Per Connection, Burst Mode	1,000.00	3,098.00
(j)	900 Mbps Premium Connection		
	Per Connection, Fixed Mode	1,500.00	4,436.00

3. Dedicated CCFLC Metro Ethernet Service Arrangements

		Nonrecurring Charge	Month to Month
(a)	100 Mbps Dedicated Connection, per Connection	900.00	1728.00
(b)	1 Gbps Dedicated Connection, per Connection	1000.00	3,448.00

SECTION 7 - DEDICATED ACCESS SERVICES (Cont'd.)

7.5 Rates and Charges (Cont'd.)

7.5.13 CCFLC Metro Ethernet Service (Cont'd.)

A. Rates and charges for Month-to-Month Service (Cont'd.)

4. Virtual CCFLC Metro Ethernet Service Arrangements¹

		Nonrecurring Charge	Month to Month
a.	2 Mbps Virtual Connection, Per Connection	\$1,000.00	\$ 388.00
b.	4 Mbps Virtual Connection, Per Connection	1,000.00	416.00
c.	8 Mbps Virtual Connection, Per Connection	1,000.00	504.00
d.	10 Mbps Virtual Connection, Per Connection	1,000.00	744.00
e.	20 Mbps Virtual Connection, Per Connection	1,000.00	968.00
f.	50 Mbps Virtual Connection, Per Connection	1,000.00	1,328.00
g.	80 Mbps Virtual Connection, Per Connection	1,000.00	1,484.00
h.	100 Mbps Virtual Connection, Per Connection	1,500.00	1,640.00
i.	200 Mbps Virtual Connection, Per Connection	1,500.00	2,088.00
j.	300 Mbps Virtual Connection, Per Connection	1,500.00	2,356.00
k.	450 Mbps Virtual Connection, Per Connection	1,500.00	2,832.00
l.	600 Mbps Virtual Connection, Per Connection	1,750.00	3,364.00
m.	750 Mbps Virtual Connection, per Connection	1,750.00	3,920.00
n.	900 Mbps Virtual Connection, Per Connection	2,000.00	4,276.00

5. CCFLC Metro Ethernet Service Independent Company (ICO) Trunk Arrangements

(a)	ICO Trunk Connection Per VLAN Connection	1,300.00	775.00
-----	--	----------	--------

Note 1: Each Virtual Connection requires the establishment of a Class of Service (COS) profile.

SECTION 7 - DEDICATED ACCESS SERVICES (Cont'd.)

7.5 Rates and Charges (Cont'd.)

7.5.13 CCFLC Metro Ethernet Service (Cont'd.)

A. Rates and charges for Month-to-Month Service (Cont'd.)

6. CCFLC Metro Ethernet Service Additional Mileage

(a)	CCFLC Metro Ethernet Service Additional Mileage: CCFLC Metro Ethernet Service arrangements greater than 10 miles through 25 airline miles	Month to Month
	Per 2 - 9 Mbps Connection ¹	\$320.00
	Per 10 - 99 Mbps Connection	333.00
	Per 100 - 499 Mbps Connection	414.00
	Per 500 Mbps - 1 Gbps Connection	504.00
(b)	CCFLC Metro Ethernet Service Additional Mileage: CCFLC Metro Ethernet Service arrangements greater than 25 miles through 35 airline miles	
	Per 2 - 9 Mbps Connection ¹	525.00
	Per 10 - 99 Mbps Connection	558.00
	Per 100 - 499 Mbps Connection	702.00
	Per 500 Mbps - 1 Gbps Connection	837.00
(c)	CCFLC Metro Ethernet Service Additional Mileage: CCFLC Metro Ethernet Service arrangements greater than 35 miles through 50 airline miles	
	Per 2 - 9 Mbps Connection ¹	800.00
	Per 10 - 99 Mbps Connection	873.00
	Per 100 - 499 Mbps Connection	1,089.00
	Per 500 Mbps - 1 Gbps Connection	1,314.00

Note 1: Not available for Dedicated Arrangements.

SECTION 7 - DEDICATED ACCESS SERVICES (Cont'd.)

7.5 Rates and Charges (Cont'd.)

7.5.13 CCFLC Metro Ethernet Service (Cont'd.)

A. Rates and charges for Month-to-Month Service (Cont'd.)

	Month to Month
7. CCFLC Metro Ethernet Service Independent Company (ICO) Trunk Additional Mileage Charges	
(a) CCFLC Metro Ethernet Service ICO Trunk Additional Mileage: CCFLC Metro Ethernet Service ICO Trunk arrangements greater than 10 miles through 25 airline miles per VLAN Connection	170.00
(b) CCFLC Metro Ethernet Service ICO Trunk Additional Mileage: CCFLC Metro Ethernet Service ICO Trunk arrangements greater than 25 miles through 35 airline miles per VLAN Connection	420.00
(c) CCFLC Metro Ethernet Service ICO Trunk Additional Mileage: CCFLC Metro Ethernet Service ICO Trunk arrangements greater than 35 miles through 50 airline miles per VLAN Connection	675.00

Note 1: Not available for Dedicated Arrangements.

SECTION 7 - DEDICATED ACCESS SERVICES (Cont'd.)

7.5 Rates and Charges (Cont'd.)

7.5.13 CCFLC Metro Ethernet Service (Cont'd.)

A. Rates and charges for Month-to-Month Service (Cont'd.)

		Nonrecurring Charge	Month to Month
8.	Priority Plus Feature ¹ Per Connection	-	120.00
9.	Q-Forwarding Feature ¹		
(a)	Q-Forwarding Service Establishment Charge Per Connection	400.00	-
(b)	Q-Forwarding Network Assignment Charge Per Network, Per Connection	-	80.00
10.	VLAN Aggregation Feature ²		
(a)	VLAN Aggregation Service Establishment Charge Per Connection	400.00	-
(b)	VLAN Aggregation Network Assignment Charge Per VLAN, Per Connection	-	80.00
11.	CNM - Metro Ethernet Reporting Feature ³		
(a)	CNM - Metro Ethernet Reporting, Service Establishment Charge, Per Customer Account	225.00	-
(b)	CNM - Metro Ethernet Reporting Charge Per Connection	-	10.00
(c)	CNM - Metro Ethernet Reporting, Web Interface Charge, First Each Additional	- 65.00	- 20.00
(d)	CNM - Metro Ethernet Reporting, Security Card Each	200.00	-

Note 1: Optional feature only available with a Premium Connection.

Note 2: Optional feature only available with a Virtual Connection.

Note 3: Optional feature only available with a Premium or Virtual Connection.

SECTION 7 - DEDICATED ACCESS SERVICES (Cont'd.)

7.5 Rates and Charges (Cont'd.)

7.5.13 CCFLC Metro Ethernet Service (Cont'd.)

A. Rates and charges for Month-to-Month Service (Cont'd.)

12. Class of Service (COS) Profile¹

		Month to Month
(a)	Real-Time COS Profile ¹	
	10%	\$ 54.00
	20%	108.00
	25%	135.00
	30%	162.00
	35%	189.00
	40%	216.00
	50%	270.00
	70%	378.00
(b)	Interactive COS ²	
	10%	45.00
	20%	90.00
	25%	112.00
	30%	135.00
	35%	157.00
	40%	180.00
	50%	225.00

Note 1: Each Virtual Connection requires the designation of a COS profile with desired percentages of each COS selected. The sum of the percentages for all COS selected for a Virtual Connection must sum to 100%.

Note 2: The combined COS bandwidth percentages selected in a customer's Virtual Connection COS profile for Real-Time COS plus Interactive COS may not exceed 50%, except where the customer selects the 70% Real-Time COS bandwidth percentage and has no Interactive traffic.

SECTION 7 - DEDICATED ACCESS SERVICES (Cont'd.)

7.5 Rates and Charges (Cont'd.)

7.5.13 CCFLC Metro Ethernet Service (Cont'd.)

A. Rates and charges for Month-to-Month Service (Cont'd.)

12. Class of Service (COS) Profile¹ (Cont'd.)

		Month to Month
(c)	Business Critical COS	
	10%	\$ 27.00
	20%	54.00
	25%	67.00
	30%	81.00
	35%	94.00
	40%	108.00
	50%	135.00
	60%	162.00
	75%	202.00
	90%	243.00
	100%	270.00
(d)	Best Effort COS	
	10%	9.00
	20%	18.00
	25%	22.00
	30%	27.00
	35%	31.00
	40%	36.00
	50%	45.00
	60%	54.00
	75%	67.00
	90%	81.00

Note 1: Each Virtual Connection requires the designation of a COS profile with desired percentages of each COS selected. The sum of the percentages for all COS selected for a Virtual Connection must sum to 100%.

SECTION 7 - DEDICATED ACCESS SERVICES (Cont'd.)

7.5 Rates and Charges (Cont'd.)

7.5.13 CCFLC Metro Ethernet Service (Cont'd.)

A. Rates and charges for Month-to-Month Service (Cont'd.)

13. Automatic Protection Switching (APS) Feature¹: Selected to provide automatic protection switching in conjunction with a Basic, Premium or Virtual CCFLC Metro Ethernet Connection of 10 Mbps or higher. Applicable APS rate element based upon type of APS selected and actual total route miles² (rounded up to next whole mile) based upon a customer-specific design as determined by the Telephone Company.

(a) Structural Protection

	<u>Nonrecurring</u>	<u>Month-to-Month</u>
Per APS Arrangement of less than 10 route miles	\$ 1000.00	\$1900.00
Per APS Arrangement of 10 through 25 route miles	1500.00	2145.00
Per APS Arrangement of greater than 25 through 35 route miles	2000.00	2445.00
Per APS Arrangement of greater than 35 through 50 route miles	2500.00	2900.00

(b) Route Protection

Per APS Arrangement of less than 10 route miles	1500.00	2320.00
Per APS Arrangement of 10 through 25 route miles	2000.00	2610.00
Per APS Arrangement of greater than 25 through 35 route miles	2500.00	2965.00
Per APS Arrangement of greater than 35 through 50 route miles	3000.00	3435.00

Note 1: Optional feature only available with a Basic, Premium or Virtual Connection of 10 Mbps or higher. (APS is not available for a 2 Mbps, 4 Mbps or 8 Mbps Basic, Premium or Virtual Connection).

Note 2: Per definition of route mileage provided in 7.2.18U preceding.

SECTION 7 - DEDICATED ACCESS SERVICES (Cont'd.)

7.5 Rates and Charges (Cont'd.)

7.5.13 CCFLC Metro Ethernet Service (Cont'd.)

A. Rates and charges for Month-to-Month Service (Cont'd.)

14. Optical Termination Charge: An electrical termination on the customer premises is standard for 2, 4 and 8 Mbps Basic, Premium and Virtual Connections. Therefore, an Optical Termination Charge applies when an optional optical termination is requested and provided for a 2, 4 or 8 Mbps Connection.

	Nonrecurring Charge	Month to Month
(a) Per Optical Termination Per Connection	-	30.00

15. Service Reconfiguration Charge

(a) Per Request Per Connection	200.00	-
-----------------------------------	--------	---

16. System Reconfiguration Charge

(a) Per Request Per Connection	900.00	-
-----------------------------------	--------	---

B. Rates and charges for Transport Payment Plan

1. Basic CCFLC Metro Ethernet Service Arrangements

	12-36 Months	37-60 Months	61-96 Months
(a) 2 Mbps Basic Connection Per Connection	380.00	\$360.00	\$345.00
(b) 4 Mbps Basic Connection Per Connection	500.00	415.00	395.00
(c) 8 Mbps Basic Connection Per Connection	540.00	475.00	450.00
(d) 10 Mbps Basic Connection Per Connection -	630.00	599.00	550.00
(e) 100 Mbps Basic Connection Per Connection -	1,180.00	1,121.00	1,065.00
(f) 1 Gbps Basic Connection Per Connection -	2,565.00	2,437.00	2,315.00

SECTION 7 - DEDICATED ACCESS SERVICES (Cont'd.)

7.5 Rates and Charges (Cont'd.)

7.5.13 CCFLC Metro Ethernet Service (Cont'd.)

B. Rates and charges for Transport Payment Plan (Cont'd.)

2. Premium CCFLC Metro Ethernet Service Arrangements

		12-36	37-60	61-96
		<u>Months</u>	<u>Months</u>	<u>Months</u>
(a)	2 Mbps Premium Connection - Per Connection, Fixed Mode	500.00	435.00	415.00
(b)	4 Mbps Premium Connection - Per Connection, Fixed Mode	540.00	470.00	445.00
(c)	8 Mbps Premium Connection - Per Connection, Fixed Mode	640.00	510.00	485.00
(d)	10 Mbps Premium Connection - Per Connection, Fixed Mode	720.00	684.00	650.00
	Per Connection, Burst Mode -	900.00	855.00	812.00
(e)	20 Mbps Premium Connection - Per Connection, Fixed Mode	904.00	859.00	816.00
	Per Connection, Burst Mode -	1,013.00	962.00	914.00
(f)	50 Mbps Premium Connection - Per Connection, Fixed Mode	1,192.00	1,132.00	1,075.00
	Per Connection, Burst Mode -	1,238.00	1,176.00	1,117.00
(g)	100 Mbps Premium Connection - Per Connection, Fixed Mode	1,440.00	1,368.00	1,300.00
	Per Connection, Burst Mode -	1,613.00	1,532.00	1,455.00
(h)	250 Mbps Premium Connection - Per Connection, Fixed Mode	1,800.00	1,710.00	1,625.00
	Per Connection, Burst Mode -	1,935.00	1,838.00	1,746.00
(i)	500 Mbps Premium Connection - Per Connection, Fixed Mode	2,392.00	2,292.00	2,158.00
	Per Connection, Burst Mode -	2,475.00	2,351.00	2,233.00
(j)	900 Mbps Premium Connection Per Connection, Fixed Mode	3,700.00	3,532.00	3,356.00

3. Dedicated CCFLC Metro Ethernet Service Arrangements

(a)	100 Mbps Dedicated Connection			
	- Per Connection -	1,384.00	1,248.00	1,186.00
(b)	1 Gbps Dedicated Connection			
	- Per Connection -	2,760.00	2,488.00	2,364.00

SECTION 7 - DEDICATED ACCESS SERVICES (Cont'd.)

7.5 Rates and Charges (Cont'd.)

7.5.13 CCFLC Metro Ethernet Service (Cont'd.)

B. Rates and charges for Transport Payment Plan (Cont'd.)

4. Virtual CCFLC Metro Ethernet Service Arrangements¹

	12-36 Months	37-60 Months	61-96 Months
(a) 2 Mbps Virtual Connection, Per Connection	\$340.00	\$321.00	\$305.00
(b) 4 Mbps Virtual Connection, Per Connection	380.00	359.00	341.00
(c) 8 Mbps Virtual Connection, Per Connection	480.00	454.00	431.00
(d) 10 Mbps Virtual Connection, Per Connection	560.00	529.00	503.00
(e) 20 Mbps Virtual Connection, Per Connection	744.00	703.00	668.00
(f) 50 Mbps Virtual Connection, Per Connection	1,032.00	975.00	926.00
(g) 80 Mbps Virtual Connection, Per Connection	1,156.00	1,092.00	1,038.00
(h) 100 Mbps Virtual Connection, Per Connection	1,280.00	1,210.00	1,149.00
(i) 200 Mbps Virtual Connection, Per Connection	1,640.00	1,550.00	1,472.00
(j) 300 Mbps Virtual Connection, Per Connection	1,936.00	1,830.00	1,738.00
(k) 450 Mbps Virtual Connection, Per Connection	2,232.00	2,109.00	2,004.00
(l) 600 Mbps Virtual Connection, Per Connection	2,660.00	2,514.00	2,388.00
(m) 750 Mbps Virtual Connection, Per Connection	3,910.00	2,933.00	2,787.00
(n) 900 Mbps Virtual Connection, Per Connection	3,540.00	3,345.00	3,178.00

5. CCFLC Metro Ethernet Service Independent Company (ICO) Trunk Arrangements

(a) ICO Trunk Connection			
- Per VLAN Connection	500.00	450.00	405.00

Note 1: Each Virtual Connection requires the establishment of a Class of Service (COS) profile.

SECTION 7 - DEDICATED ACCESS SERVICES (Cont'd.)

7.5 Rates and Charges (Cont'd.)

7.5.13 CCFLC Metro Ethernet Service (Cont'd.)

B. Rates and charges for Transport Payment Plan (Cont'd.)

6. CCFLC Metro Ethernet Service Additional Mileage

(a) CCFLC Metro Ethernet Service Additional Mileage:
CCFLC Metro Ethernet Service arrangements greater than 10 miles through 25 airline miles

	12-36 Months	37-60 Months	61-96 Months
- Per 2 - 9 Mbps Connection ¹	\$320.00	\$320.00	\$320.00
- Per 10 - 99 Mbps Connection	333.00	333.00	333.00
- Per 100 - 499 Mbps Connection	414.00	414.00	414.00
- Per 500 Mbps - 1 Gbps Connection	504.00	504.00	504.00

(b) CCFLC Metro Ethernet Service Additional Mileage:
CCFLC Metro Ethernet Service arrangements greater than 25 miles through 35 airline miles

	12-36 Months	37-60 Months	61-96 Months
- Per 2 - 9 Mbps Connection ¹	525.00	525.00	525.00
- Per 10 - 99 Mbps Connection	558.00	558.00	558.00
- Per 100 - 499 Mbps Connection	702.00	702.00	702.00
- Per 500 Mbps - 1 Gbps Connection	837.00	837.00	837.00

(c) CCFLC Metro Ethernet Service Additional Mileage:
CCFLC Metro Ethernet Service arrangements greater than 35 miles through 50 airline miles

	12-36 Months	37-60 Months	61-96 Months
- Per 2 - 9 Mbps Connection ¹	800.00	800.00	800.00
- Per 10 - 99 Mbps Connection	873.00	873.00	873.00
- Per 100 - 499 Mbps Connection	1,089.00	1,089.00	1,089.00
- Per 500 Mbps - 1 Gbps Connection	1,314.00	1,314.00	1,314.00

Note 1: Not available for Dedicated Arrangements.

SECTION 7 - DEDICATED ACCESS SERVICES (Cont'd.)

7.5 Rates and Charges (Cont'd.)

7.5.13 CCFLC Metro Ethernet Service (Cont'd.)

B. Rates and charges for Transport Payment Plan (Cont'd.)

7. CCFLC Metro Ethernet Service Independent Company (ICO) Trunk Additional Mileage Charges

	(a)	CCFLC Metro Ethernet Service ICO Trunk Additional Mileage: CCFLC Metro Ethernet Service ICO Trunk arrangements greater than 10 miles through 25 airline miles		
		12-36	37-60	61-96
		Months	Months	Months
-	per VLAN Connection	170.00	170.00	170.00
	(b)	CCFLC Metro Ethernet Service ICO Trunk Additional Mileage: CCFLC Metro Ethernet Service ICO Trunk arrangements greater than 25 miles through 35 airline miles		
-	per VLAN Connection	420.00	420.00	420.00
	(c)	CCFLC Metro Ethernet Service ICO Trunk Additional Mileage: CCFLC Metro Ethernet Service ICO Trunk arrangements greater than 35 miles through 50 airline miles		
-	per VLAN Connection	675.00	675.00	675.00

SECTION 7 - DEDICATED ACCESS SERVICES (Cont'd.)

7.5 Rates and Charges (Cont'd.)

7.5.13 CCFLC Metro Ethernet Service (Cont'd.)

B. Rates and charges for Transport Payment Plan (Cont'd.)

8.	Priority Plus Feature ¹	12-36	37-60	61-96
		Months	Months	Months
	- Per Connection	\$95.00	\$85.00	\$80.00
9.	Q-Forwarding Feature ¹			
	(a) Q-Forwarding Service Establishment Charge			Nonrecurring
				Charge ²
	- Per Connection			\$400.00
	(b) Q-Forwarding Network Assignment Charge			
		12-36	37-60	61-96
		Months	Months	Months
	- Per Network, Per Connection	\$ 65.00	\$ 60.00	\$ 55.00
10.	VLAN Aggregation Feature ³			
	(a) VLAN Aggregation Service Establishment Charge			Nonrecurring
				Charge ²
	- Per Connection			\$400.00
	(b) VLAN Aggregation Network Assignment Charge			
		12-36	37-60	61-96
		Months	Months	Months
	- Per VLAN, Per Connection	\$65.00	\$60.00	\$55.00

Note 1: Optional feature only available with a Premium Connection.

Note 2: This nonrecurring charge is applicable to service under a TPP arrangement.

Note 3: Optional feature only available with a Virtual Connection.

SECTION 7 - DEDICATED ACCESS SERVICES (Cont'd.)

7.5 Rates and Charges (Cont'd.)

7.5.13 CCFLC Metro Ethernet Service (Cont'd.)

B. Rates and charges for Transport Payment Plan (Cont'd.)

11. CNM - Metro Ethernet Reporting Feature¹

(a) CNM - Metro Ethernet Reporting, Service Establishment Charge
Nonrecurring Charge²
- Per Customer Account \$225.00

(b) CNM - Metro Ethernet Reporting Charge

	12-36 Months	37-60 Months	61-96 Months
- Per Connection	\$8.00	\$6.00	\$5.00

(c) CNM - Metro Ethernet Reporting, Web Interface Charge
Nonrecurring Charge²

	12-36 Months	37-60 Months	61-96 Months
- First	--	--	--
- Each Add'l	65.00	18.00	15.00

(d) CNM - Metro Ethernet Reporting, Security Card
Nonrecurring Charge²
- Each \$200.00

Note 1: Optional feature only available with a Premium or Virtual Connection.

Note 2: This nonrecurring charge is applicable to service under a TPP arrangement.

SECTION 7 - DEDICATED ACCESS SERVICES (Cont'd.)

7.5 Rates and Charges (Cont'd.)

7.5.13 CCFLC Metro Ethernet Service (Cont'd.)

B. Rates and charges for Transport Payment Plan (Cont'd.)

12. Class of Service (COS) Profile¹

(a) Real-Time COS²

	12-36 Months	37-60 Months	61-90 Months
10%	\$54.00	\$ 54.00	\$ 54.00
20%	108.00	108.00	108.00
25%	135.00	135.00	135.00
30%	162.00	162.00	162.00
35%	189.00	189.00	189.00
40%	216.00	216.00	216.00
50%	270.00	270.00	270.00
70%	378.00	378.00	378.00

(b) Interactive COS²

10%	45.00	45.00	45.00
20%	90.00	90.00	90.00
25%	112.00	112.00	112.00
30%	135.00	135.00	135.00
35%	157.00	157.00	157.00
40%	180.00	180.00	180.00
50%	225.00	225.00	225.00

Note 1: Each Virtual Connection requires the designation of a COS profile with desired percentages of each COS selected. The sum of the percentages for all COS selected for a Virtual Connection must sum to 100%..

Note 2: The combined COS bandwidth percentages selected in a customer's Virtual Connection COS profile for Real-Time COS plus Interactive COS may not exceed 50%, except where the customer selects the 70% Real-Time COS bandwidth percentage and has no Interactive traffic.

SECTION 7 - DEDICATED ACCESS SERVICES (Cont'd.)

7.5 Rates and Charges (Cont'd.)

7.5.13 CCFLC Metro Ethernet Service (Cont'd.)

B. Rates and charges for Transport Payment Plan (Cont'd.)

12. Class of Service (COS) Profile¹

(c) Business Critical COS

	12-36 Months	37-60 Months	61-90 Months
10%	\$ 27.00	\$ 27.00	\$ 27.00
20%	54.00	54.00	54.00
25%	67.00	67.00	67.00
30%	81.00	81.00	81.00
35%	94.00	94.00	94.00
40%	108.00	108.00	108.00
50%	135.00	135.00	135.00
60%	162.00	162.00	162.00
75%	202.00	202.00	202.00
90%	243.00	243.00	243.00
100%	270.00	270.00	270.00

(d) Best Effort COS

	12-36 Months	37-60 Months	61-90 Months
10%	9.00	9.00	9.00
20%	18.00	18.00	18.00
25%	22.00	22.00	22.00
30%	27.00	27.00	27.00
35%	31.00	31.00	31.00
40%	36.00	36.00	36.00
50%	45.00	45.00	45.00
60%	54.00	54.00	54.00
75%	67.00	67.00	67.00
90%	81.00	81.00	81.00

Note 1: Each Virtual Connection requires the designation of a COS profile with desired percentages of each COS selected. The sum of the percentages for all COS selected for a Virtual Connection must sum to 100%.

SECTION 7 - DEDICATED ACCESS SERVICES (Cont'd.)

7.5 Rates and Charges (Cont'd.)

7.5.13 CCFLC Metro Ethernet Service (Cont'd.)

B. Rates and charges for Transport Payment Plan (Cont'd.)

13. Automatic Protection Switching (APS) Feature¹: Selected to provide automatic protection switching in conjunction with a Basic, Premium or Virtual CCFLC Metro Ethernet Connection of 10 Mbps or higher. Applicable APS rate element based upon type of APS selected and actual total route miles² (rounded up to next whole mile) based upon a customer-specific design as determined by the Telephone Company.

(a) Structural Protection

	12-36 Months	37-60 Months	61-90 Months
Per APS Arrangement of less than 10 route miles	\$1250.00	\$1092.00	\$935.00
Per APS Arrangement of 10 through 25 route miles	1496.00	1301.00	1126.00
Per APS Arrangement of greater than 25 through 35 route miles	1798.00	1679.00	1530.00
Per APS Arrangement of greater than 35 through 50 route miles	2452.00	2376.00	2134.00

(b) Route Protection

	12-36 Months	37-60 Months	61-90 Months
Per APS Arrangement of less than 10 route miles	1470.00	1285.00	1100.00
Per APS Arrangement of 10 through 25 route miles	1760.00	1530.00	1325.00
Per APS Arrangement of greater than 25 through 35 route miles	2115.00	1975.00	1800.00
Per APS Arrangement of greater than 35 through 50 route miles	2885.00	2795.00	2510.00

Note 1: Optional feature only available with a Basic, Premium or Virtual Connection.

Note 2: Per definition of route mileage provided in 7.2.18U preceding.

SECTION 7 - DEDICATED ACCESS SERVICES (Cont'd.)

7.5 Rates and Charges (Cont'd.)

7.5.13 CCFLC Metro Ethernet Service (Cont'd.)

B. Rates and charges for Transport Payment Plan (Cont'd.)

14. Optical Termination Charge: An electrical termination on the customer premises is standard for 2, 4 and 8 Mbps Basic, Premium and Virtual Connections. Therefore, an Optical Termination Charge applies when an optional optical termination is requested and provided for a 2, 4 or 8 Mbps Connection.

(a) Per Optical Termination	12-36	37-60	61-90
	Months	Months	Months
Per Connection	30.00	30.00	30.00

15. Service Reconfiguration Charge

(a) Per Request	Nonrecurring Charge ¹
Per Connection	\$200.00

16. System Reconfiguration Charge

(a) Per Request	Nonrecurring Charge ¹
Per Connection	900.00

Note 1: This nonrecurring charge is applicable to service under a TPP arrangement.

SECTION 8 - RESERVED FOR FUTURE USE

TABLE OF CONTENTS

SECTION 8 - RESERVED FOR FUTURE USE

SECTION 9 - RESERVED FOR FUTURE USE

TABLE OF CONTENTS

SECTION 9 - RESERVED FOR FUTURE USE

SECTION 10 - LATA CONFIGURATIONS

TABLE OF CONTENTS

10.1	Reserved for Future Use
10.2	Reserved for Future Use
10.3	Equal Access Exchange Areas (EAEA), LATA and Market Areas
	10.3.1 LATA and Market Area Configurations
	10.3.2 Equal Access Exchange Areas (EAEA)
10.4	Reserved for Future Use
10.5	Reserved for Future Use

SECTION 10 - LATA CONFIGURATIONS (CONT'D)

10.1 Reserved for Future Use

10.2 Reserved for Future Use

10.3 Equal Access Exchange Areas (EAEA), LATAs and Market Areas

10.3.1 LATA and Market Area Configurations

A LATA or Market Area is a geographical area in which Access Service is provided.

10.3.2 Equal Access Exchange Areas (EAEA) EAEAs are geographical areas, configured based on 1987 planned toll center/access tandem areas, in which the Company is responsible for providing equal access to both carriers and end users in the most economically efficient manner. In an EAEA, ICs and resellers may have one or more point of presence so long as any additional costs incurred by the Company in providing such alternate or additional point of presence be paid by the party choosing such location. (FPSC order 13750, Docket 820537-TP October 5, 1984) A primary point of connection will be provided by the Company in each EAEA. EAEA's and the exchanges contained therein are listed below:

A. Crestview EAEA (Pensacola LATA)

Primary Point of Connection:

EXCHANGE

Laurel Hill

Paxton

B. Tallahassee EAEA (Tallahassee Market Area)

Primary Point of Connection:

EXCHANGE

Keaton Beach

Perry

SECTION 10 - LATA CONFIGURATIONS (CONT'D)

10.3 Equal Access Exchange Areas (EAEA), LATAs and Market Areas (Cont'd)

10.3.2 Equal Access Exchange Areas (EAEA) (Cont'd)

C. Port St. Joe EAEA (Panama City LATA)
Primary Point of Connection:

EXCHANGE
Alligator Point
Altha
Apalachicola
Blountstown
Bristol
Carrabelle
Chattahoochee
East Point
Hosford
Port St. Joe
The Beaches
Tyndall AFB
Wewahitchka

10.4 Reserved for Future Use

10.5 Reserved for Future Use

SECTION 11 - SPECIAL FACILITIES ROUTING OF ACCESS SERVICES

TABLE OF CONTENTS

11.1	Description of Special Facilities Routing of Access Services
	11.1.1 General
11.2	Rates and Charges for Special Facilities Routing of Access Services
	11.2.1 Diversity
	11.2.2 Avoidance
	11.2.3 Diversity and Avoidance Combined
	11.2.4 Cable-Only Facilities

SECTION 11 - SPECIAL FACILITIES ROUTING OF ACCESS SERVICES (CONT'D)**11.1 Description of Special Facilities Routing of Access Services****11.1.1 General**

- A. The services provided under this Tariff are provided over such routes and facilities as the Company may elect. Special Facilities Routing is involved, when, in order to comply with requirements specified by the IC, the Company provides CCFLC SWA service or Dedicated Access Service in a manner which includes one or more of the following conditions:
1. **Diversity**

Where two or more services must be provided over not more than two different physical routes.
 2. **Avoidance**

Where a service must be provided on a route which avoids specified geographical locations.
 3. **Cable-Only Facilities**

Certain Voice Grade services are provided on Cable-Only Facilities to meet the particular needs of an IC. Service is provided subject to the availability of cable-only facilities. In the event of service failure, restoration will be made through the use of any available facilities as selected by the Company.
- B. Avoidance and Diversity are available on CCFLC SWA service as set forth in Section 6 preceding, and Narrowband, Voice Grade (*a.k.a.* CCFLC SPA DSO VG) and Wideband Analog (*a.k.a.* CCFLC SPA Wideband Analog) services as set forth in Section 7 preceding. Cable-Only Facilities are available for CCFLC SWA service as set forth in Section 6 preceding and Voice Grade Dedicated Access (*a.k.a.* CCFLC SPA DSO VG) services as set forth in Section 7 preceding.
- C. In order to avoid the compromise of special routing information, the Company will provide the required routing information for each specially routed service to only the ordering IC. If requested by the IC, this information will be provided when service is installed and prior to any subsequent changes in routing.
- D. The rates and charges for Special Facilities Routing of Access Services as set forth in 11.2 following are in addition to all other rates and charges that may be applicable for services provided under other sections of this Tariff.

SECTION 11 - SPECIAL FACILITIES ROUTING OF ACCESS SERVICES (CONT'D)

11.2 Rates and Charges for Special Facilities Routing of Access Services

The rates and charges for Special Facilities Routing of Access Services are as follows:

11.2.1 Diversity For each service provided in accordance with 11.1.1.A.1 preceding, the rates and charges will be developed on an individual case basis and filed following:

11.2.2 Avoidance

For each service provided in accordance with 11.1.1.A.2 preceding, the rates and charges will be developed on an individual case basis and filed following:

11.2.3 Diversity and Avoidance Combined

For each service provided in accordance with 11.1.1.A.1 and 11.1.1.A.2 preceding, combined, the rates and charges will be developed on an individual case basis and filed following:

11.2.4 Cable-Only Facilities

For each service provided in accordance with 11.1.1.A.3. preceding, the rates and charges will be developed on an individual case basis and filed following:

SECTION 12 - SPECIALIZED SERVICE OR ARRANGEMENTS

TABLE OF CONTENTS

12.1	General
	12.1.1 Provision of Specialized Service or Arrangements
12.2	Application of Move Charges
12.3	Contract Service Arrangements
	12.3.1 General

SECTION 12 - SPECIALIZED SERVICE OR ARRANGEMENTS (CONT'D)**12.1 General****12.1.1 Provision of Specialized Service or Arrangements**

Specialized service or arrangements may be provided by the Company, at the request of an IC, on an individual case basis if such service or arrangements meet the following criteria:

- A. The requested service or arrangements are not offered under other sections of this Tariff.
- B. The facilities utilized to provide the requested service or arrangements are of a type normally used by the Company in furnishing its other services.
- C. The requested service or arrangements are provided within a LATA.
- D. The requested service or arrangements are compatible with other Company services, facilities, and its engineering and maintenance practices.
- E. This offering is subject to the availability of the necessary Company personnel and capital resources.

12.2 Application of Move Charges

- A. When service without a maximum termination liability charge associated with it is moved to a different building, the nonrecurring charge applies; when moved to a new location in the same building, a charge of one-half the nonrecurring charge applies.
- B. When service with a maximum termination liability charge associated with it is moved and is reinstalled at a new location, the customer may elect:
 - 1. to pay the unexpired portion of the maximum termination liability charge for the service, if any, with the application of a nonrecurring charge and the establishment of a new maximum termination liability charge for such service at the new location, or
 - 2. to continue service subject to the unexpired portion of the maximum termination liability charge, if any, and pay the estimated costs of moving such service, provided that the customer requests these charges be quoted prior to ordering the service move. Charges for moving such service will be based on estimated costs attributable to the move.
- C. Move charges include the estimated costs of removal, restoration of services or facilities necessitated by the move, transportation, storage, reinstallation, engineering, labor, supervision, materials, administration, and any other specific items of cost directly attributable to the move.

SECTION 12 - SPECIALIZED SERVICE OR ARRANGEMENTS (CONT'D)**12.3 Contract Service Arrangements****12.3.1 General**

- A. When economically practicable, customer specific contract service arrangements may be furnished in lieu of existing tariff offerings provided there is reasonable potential for uneconomic bypass of the Company's services. Uneconomic bypass occurs when an alternative service arrangement is utilized, in lieu of Company services, at prices below the Company's rates but above the Company's incremental costs.
- B. Rates, Charges, Terms and additional regulations, if applicable, for the contract service arrangements will be developed on an individual case basis, and will include all relevant costs, plus an appropriate level of contribution.
- C. Costs for the contract service arrangements may include one or more of the following items:
 - 1. Labor, engineering and materials.
 - 2. Operating expenses, e.g. maintenance, administration, etc.
 - 3. Return on investment
 - 4. Taxes
 - 5. Depreciation
 - 6. Any other identifiable associated cost.
- D. Unless otherwise specified, the regulations for contract service arrangements are in addition to the applicable regulations and rates specified in other sections of this Tariff.
- E. Services specified in the following Sections only of this Tariff are available through contract service arrangements:

Section 6 - Dedicated Access Line Service Only

Section 7.

SECTION 12 - SPECIALIZED SERVICE OR ARRANGEMENTS (CONT'D)

12.3 Contract Service Arrangements (Cont'd)

12.3.1 General (Cont'd)

- F. Contract Service Arrangements are furnished by the Company to a subscriber only for communications in which the subscriber has a direct interest and shall not be used for any purpose for which a payment or other compensation shall be received by him from any other person, firm, or corporation for such use, or in the collection, transmission or delivery of any communication for others. Contract Service Arrangements will not be offered to Interexchange Carriers (IC's) or other parties for the purposes of resale and/or shared use.

- G. The subscriber and the Company may elect to enter into an agreement where certain rates and/or charges for contract service arrangements are applicable for a fixed period of time. The Company will continue to offer such contract service arrangements without change in the applicable rates and/or charges unless mutual consent has been reached between the Company and the customer to undertake such changes. The Florida Public Service Commission will not adjust contract service arrangement rates and/or charges during this period. At the completion of this period, the agreement may be renewed at the option of the Company and the subscriber. Revised rates and/or charges may apply to any renewed agreement.

SECTION 13 - ADDITIONAL ENGINEERING, ADDITIONAL LABOR AND
MISCELLANEOUS CHARGES

TABLE OF CONTENTS

13.1 Additional Engineering
13.1.1 Charges for Additional Engineering

13.2 Additional Labor
13.2.1 Overtime Installation
13.2.2 Overtime Repair
13.2.3 Stand By
13.2.4 Testing and Maintenance with Other Telephone Companies
13.2.5 Other Labor
13.2.6 Charges for Additional Labor

13.3 Miscellaneous Services
13.3.1 Trouble Location Charges
13.3.2 RESERVED FOR FUTURE USE
13.3.3 CCFLC Equal Access Subscription
13.3.4 RESERVED FOR FUTURE USE
13.3.5 Testing Services
13.3.6 Provision of Access Service Billing Information
13.3.7 Protective Connecting Arrangements
13.3.8 Controller Arrangement
13.3.9 Telecommunications Service Priority (TSP) System
13.3.10 CCFLC Administrative Management Service
13.3.11 RESERVED FOR FUTURE USE
13.3.12 CCFLC 8XX Toll Free Dialing Number Administration Service
13.3.13 CCFLC Billing Name and Address for ANI Service
13.3.14 Physical Access Collocation Cross-Connect Service
13.3.15 Virtual Access Collocation Cross-Connect Service

SECTION 13 - ADDITIONAL ENGINEERING, ADDITIONAL LABOR AND
MISCELLANEOUS CHARGES (CONT'D)

13.1 Additional Engineering

In this section normally scheduled working hours are an employee's scheduled work period in any given calendar day (e.g. 7:00 am to 4:00 pm) for the application of rates based on working hours.

- A. Additional Engineering will be provided by the Company at the request of the IC or End User only when:
1. An IC or End User requests additional technical information after the Company has already provided the technical information normally included on the Design Layout Report (DLR) as set forth in 6.1.5 and 7.1.6 preceding.
 2. Additional engineering time is incurred by the Company to engineer an IC's or End User's request for a customized service as set forth in 7.2 preceding.
- B. The Company will notify the IC or End User that additional engineering charges, as set forth in 13.1.1 following, will apply before any additional engineering is undertaken. These charges apply per Company employee performing billable work at the IC or End User's request. The sum of the time is used to determine the number of 30-minute increments to be billed. Only one initial increment is to be billed per request.

SECTION 13 - ADDITIONAL ENGINEERING, ADDITIONAL LABOR AND
 MISCELLANEOUS CHARGES (CONT'D)

13.1 Additional Engineering (Cont'd)

13.1.1 Charges for Additional Engineering

A. The charges for additional engineering are as follows:

1. Additional engineering periods.

	First Half Hour or Fraction <u>Thereof</u>	Each Additional Half Hour or Fraction <u>Thereof</u>
(a) Basic time, normally scheduled work hours	\$66.00	\$39.79
(b) Overtime, outside of normally scheduled work hours	\$73.41	\$47.20

SECTION 13 - ADDITIONAL ENGINEERING, ADDITIONAL LABOR AND
MISCELLANEOUS CHARGES (CONT'D)

13.2 Additional Labor

Additional labor is that labor requested by the IC or End User on a given service and agreed to by the Company as set forth in 13.2.1 through 13.2.5 following. The Company will notify the IC or End User that additional labor charges as set forth in 13.2.6 following will apply before any additional labor is undertaken. The labor charges apply per Company employee performing billable work at the IC or End User's request. The sum of the time is used to determine the number of 30-minute increments to be billed. Only one initial increment is to be billed per request. A request for additional labor by a Company employee at a time not consecutive with the employee's scheduled work period is subject to a minimum charge of three hours. Payment for Additional Labor charges associated with CCFLC SWA Service is the responsibility of the IC. Payment of Additional Labor charges associated with Dedicated Access Service is the responsibility of the End User, unless the Additional Labor charge is the result of an IC initiated activity.

13.2.1 Overtime Installation

Overtime installation is that Company installation effort outside of normally scheduled working hours.

13.2.2 Overtime Repair

Overtime repair is that Company maintenance effort performed outside of normally scheduled working hours.

13.2.3 Stand By

Stand by includes all time in excess of one-half (1/2) hour during which Company personnel stand by to make cooperative tests with an IC to verify facility repair on a given service.

13.2.4 Testing and Maintenance with Other Telephone Companies

Additional testing, maintenance or repair of facilities which connect to facilities of other telephone companies, which is in addition to normal effort required to test, maintain or repair facilities provided solely by the Company.

SECTION 13 - ADDITIONAL ENGINEERING, ADDITIONAL LABOR AND
MISCELLANEOUS CHARGES (CONT'D)

13.2 Additional Labor (Cont'd)

13.2.5 Other Labor

Other Labor is that additional labor not included in 13.2.1 through 13.2.4 preceding, and labor incurred to accommodate a specific IC or end user request that involves only labor which is not covered by any other section of this Tariff.

13.2.6 Charges for Additional Labor

A. Additional Labor Periods

1. Installation or Repair

	<u>First Half Hour or Fraction Thereof</u>	<u>Each Additional Half Hour or Fraction Thereof</u>
(a) Overtime, outside of normally scheduled working hours on a scheduled work day	\$29.31	\$3.10
(b) Premium time, outside of scheduled work day	\$32.42	\$6.21

2. Standby

(a) Basic time, normally scheduled working hours	-----	\$17.91
(b) Overtime, outside normally scheduled working hours on a scheduled work day	-----	\$21.01
(c) Premium time, outside of scheduled work day	-----	\$24.12

3. Other Labor (or Testing and Maintenance with other telephone companies)

Note 1: For Standby testing, the rate for the "First Half Hour or Fraction Thereof" is to be applied to the first billable half hour.

SECTION 13 - ADDITIONAL ENGINEERING, ADDITIONAL LABOR AND
MISCELLANEOUS CHARGES (CONT'D)

13.2 Additional Labor (Cont'd)

13.2.6 Charges for Additional Labor (Cont'd)

A. Additional Labor Periods (Cont'd)

3. Other Labor (or Testing and Maintenance with other telephone companies) (Cont'd)

	First Half Hour or Fraction <u>Thereof</u>	Each Additional Half Hour or Fraction <u>Thereof</u>
(a) Basic time, normally scheduled working hours	\$44.12	\$17.91
(b) Overtime, outside normally scheduled working hours on a scheduled work day	\$47.22	\$21.01
(c) Premium time, outside of scheduled work day	\$50.33	\$24.12

SECTION 13 - ADDITIONAL ENGINEERING, ADDITIONAL LABOR AND
MISCELLANEOUS CHARGES (CONT'D)

13.3 Miscellaneous Services

13.3.1 Trouble Location Charges (TLC)

- A. When an IC or End User reports a trouble to the Company for clearance and no trouble is found in the Company's facilities, the IC or End User shall be responsible for payment of a Trouble Location Charge. Failure of Company personnel to find trouble in Company facilities will result in no charge if the trouble is actually in those facilities, but not discovered at the time.
- B. The IC or End User shall be responsible for payment of a Trouble Location Charge when the Company dispatches personnel to the IC's or End User's premises, and the trouble is in equipment or communications systems provided by other than the Company or in detariffed CPE provided by the Company.

The Trouble Location Charge applies for the period of time from when Company personnel are dispatched to when the work is completed. When more than one employee is dispatched, the sum of the time is used to determine the number of 30-minute increments to be billed. Only one initial increment is to be billed per request. A request resulting in the dispatch of a Company employee at a time not consecutive with the employee's scheduled work period is subject to a minimum charge of three hours.

In either A. or B. preceding, no credit allowance will be applicable for the interruption involved if the Trouble Location Charge applies.

- C. Trouble Location Charges are as follows:
 - 1. Trouble Location Charges apply as follows:

	First Half Hour or Fraction <u>Thereof</u>	Each Additional Half Hour or Fraction <u>Thereof</u>
(a) Basic time, normally scheduled working hours	\$80.00	\$55.00
(b) Overtime, outside normally scheduled working hours on a scheduled work day	\$90.00	\$65.00
(c) Premium time, outside of scheduled work day	\$100.00	\$75.00

SECTION 13 - ADDITIONAL ENGINEERING, ADDITIONAL LABOR AND
MISCELLANEOUS CHARGES (CONT'D)

13.3 Miscellaneous Services (Cont'd)

13.3.2 Reserved for Future Use

13.3.3 CCFLC Equal Access Subscription

A. Description

1. CCFLC Equal Access Subscription

CCFLC Equal Access Subscription is a procedure whereby an end user for Telephone Exchange Service lines and/or trunks or the location provider or its authorized agent of pay telephones may select and designate to the Company an IC to access for IntraLATA toll calls without dialing an access code. The end user or location provider or its authorized agent may designate an IC for intraLATA toll, a different IC for interLATA toll, or the same IC for both. This IC is referred to as the end user's or pay telephone location provider's or its authorized agent's preferred IC and is defined by a unique Carrier Identification Code (CIC) shown on the customer service record.

Should a customer wish to use other services of the same or another IC, it will be necessary for the customer to dial the necessary access code(s) to reach that IC's other service(s).

If the IC designated as the primary IC for 0+ intraLATA toll traffic does not submit an order designating the transport carrier for 1+ intraLATA toll traffic for pay telephones at all end offices subtending an access tandem, the 1+ intraLATA toll traffic for that office will continue to be routed to the Company as of September 1, 1995, or until the subscribed 0+ carrier is ready to handle the 1+ IntraLATA toll sent-paid traffic, or

SECTION 13 - ADDITIONAL ENGINEERING, ADDITIONAL LABOR AND
MISCELLANEOUS CHARGES (CONT'D)

13.3 Miscellaneous Services (Cont'd)

13.3.3 CCFLC Equal Access Subscription (Cont'd)

B. Verification of Choice of IC

ICs must request verification of choice from their customers/subscribers. All letters of agency, recordings, or other evidence of verification shall be maintained by the IC for a minimum period of two years after obtaining such verification.

1. Verification of Orders

No IC (submitting carrier) shall submit to the Company a primary or preferred interexchange carrier (PIC) change order unless and until the order has first been confirmed in accordance with one of the following procedures:

- a. The IC has obtained the customer's written or electronically signed authorization and/or verification to submit the order that explains what occurs when a PIC is changed and confirms:
 - the customer's billing name and address and each telephone number to be covered by the PIC change order;
 - the decision to change the PIC to the IC; and
 - the customer's understanding of the PIC change fee; or
- b. The IC has obtained the customer's electronic authorization, placed from the telephone number(s) on which the PIC is to be changed, to submit the order that confirms the information described in a. preceding to confirm the authorization; or
- c. An appropriately qualified independent third party has obtained the customer's oral authorization to submit the PIC change order that confirms and includes appropriate verification data (e.g., the customer's date of birth or social security number); or

An appropriately qualified independent third party must operate in a location physically separate from the IC and may not be owned, managed, controlled, or directed by the soliciting IC, nor can it receive financial incentives to confirm IC changes.

SECTION 13 - ADDITIONAL ENGINEERING, ADDITIONAL LABOR AND
MISCELLANEOUS CHARGES (CONT'D)

13.3 Miscellaneous Services (Cont'd)

13.3.3 CCFLC Equal Access Subscription (Cont'd)

B. Verification of Choice of IC (cont'd)

1. Verification of Orders (cont'd)

d. Such other verification procedures as may be specified by the Florida Public Service Commission in rules or regulations which are consistent with rules promulgated by the Federal Communications Commission pursuant to 47 United States Code Section 258, revision released August 25, 2000 and effective November 28, 2000.

2. The IC must submit a PIC change order, no more than 60 days after obtaining the written or electronically signed authorization.

SECTION 13 - ADDITIONAL ENGINEERING, ADDITIONAL LABOR AND
MISCELLANEOUS CHARGES (CONT'D)

13.3 Miscellaneous Services (Cont'd)

13.3.3 CCFLC Equal Access Subscription (Cont'd)

C. Discrepancy in Subscription

1. Definitions:

- a. Authorized carrier is defined as any carrier that submits a change, on behalf of an end user or location provider or its authorized agent, in the selection of a primary or preferred interexchange carrier (PIC) with authorization verified.
- b. Unauthorized carrier is defined as any carrier that submits a change on behalf of an end user or location provider or its authorized agent, in the selection of a primary or preferred interexchange carrier (PIC) but fails to verify authorization.
- c. Unauthorized change is a change in an end user or location provider or authorized agent's selection of a primary or preferred interexchange carrier (PIC) that was made without verification.

2. When the Company is informed by an end user or location provider or its authorized agent of an alleged unauthorized change, the Company shall notify both the authorized and alleged unauthorized carrier of the incident. The Company shall direct the end user or location provider or its authorized agent to the relevant governmental agency, when an alleged unauthorized change is reported, for determination of fault.

In accordance with FCC Slamming Liability Rules, FCC Docket 94-129, the relevant governmental agency, in this instance the Florida Public Service Commission, will determine whether an unauthorized change occurred and resolution shall be handled directly with the authorized carrier, the unauthorized carrier and the end user, location provider or its authorized agent.

SECTION 13 - ADDITIONAL ENGINEERING, ADDITIONAL LABOR AND
MISCELLANEOUS CHARGES (CONT'D)

13.3 Miscellaneous Services (Cont'd)

13.3.3 CCFLC Equal Access Subscription (Cont'd)

C. Discrepancy in Subscription

3. When two or more IC orders are received for an end user or pay telephone line, the order with the latest application date determines customer choice. ICs involved in changes will be notified by the weekly activity report via paper format or mechanized interface in Network Operations Form (NOF) format.
4. The alleged unauthorized carrier will be assessed the subscription change charge as specified in E. following, when an alleged unauthorized change has been reported by the end user or pay telephone location provider or its authorized agent.

D. CCFLC Equal Access Subscription Charge Application

1. New end users or location providers or its authorized agent of pay telephones, will be asked to select a preferred IC for intraLATA at the time they place an order with the Company for Telephone Exchange Service. There will be no charge for this initial selection. The nonrecurring charge for all other changes is as set forth in E. following.

A subscription charge will apply for each intraLATA PIC change submitted, except as provided in 1 preceding. The applicable subscription charge for each interLATA PIC change submitted is as set forth in the NECA Tariff FCC No. 5, Section 13.3.3. If intraLATA and interLATA subscription changes are submitted simultaneously for the same carrier, the intraLATA subscription charge will be as set forth in 2 following.

SECTION 13 - ADDITIONAL ENGINEERING, ADDITIONAL LABOR AND
MISCELLANEOUS CHARGES (CONT'D)

13.3 Miscellaneous Services (Cont'd)

13.3.3 CCFLC Equal Access Subscription (Cont'd)

E. The nonrecurring charges for a change in IntraLATA Subscription are as follows:

1. Subscription change when not performed simultaneously with interLATA PIC change to the same carrier, per line or trunk

	<u>Nonrecurring Charge</u>
(a) Billed to end user or pay telephone location provider or its authorized agent	\$5.50
(b) Billed to IC	\$5.50
(c) Alleged unauthorized change	\$5.50

2. Subscription change when performed simultaneously with interLATA PIC change to the same carrier, per line or trunk

(a) billed to end user or pay telephone location provider or its authorized agent	\$5.50
(b) billed to IC	\$5.50

SECTION 13 - ADDITIONAL ENGINEERING, ADDITIONAL LABOR AND
MISCELLANEOUS CHARGES (CONT'D)

13.3 Miscellaneous Services (Cont'd)

13.3.4 Reserved for Future Use

13.3.5 Testing Services

- A. The Company will, in addition to any IC or End User requested acceptance testing, perform such tests as it believes necessary to insure that the access services ordered by an IC or End User are functioning properly prior to turning over such access services to the IC or End User. In addition, the Company, as part of the ongoing work to maintain the continued satisfactory performance of the access services ordered by the IC or End User, may perform periodic tests.

Testing Services offered under this section of the Tariff are optional and subject to rates and charges as set forth in 13.3.51 following. Payment for CCFLC SWA testing is the responsibility of the IC. Payment for Dedicated Access testing is the responsibility of the End User. Other testing services provided by the Company in association with Access Services are furnished at no additional charge. These other testing services are described in 6.1.6 and 7.1.7 preceding.

- B. Testing services are normally provided by Company personnel at Company locations. However, provisions are made in D.6 and E.2 following for an IC or End User to request Company personnel to perform testing services at the IC terminal location or the End User's premises.

Testing charges which are time sensitive apply per Company employee performing billable work at the IC's or End User's request. The sum of the time is used to determine the number of 30-minute increments to be billed. Only one initial increment is to be billed per request. A request for additional labor by a Company employee at a time not consecutive with the employee's scheduled work period is subject to a minimum charge of three hours.

- C. The offering of Testing Services under this section of the Tariff is made subject to the availability of the necessary qualified personnel and test equipment at the various test locations mentioned in D., E., and F. following:

SECTION 13 - ADDITIONAL ENGINEERING, ADDITIONAL LABOR AND
MISCELLANEOUS CHARGES (CONT'D)

13.3 Miscellaneous Services (Cont'd)

13.3.5 Testing Services (Cont'd)

D. CCFLC SWA Service

1. Categories of Tests

Testing Services for CCFLC SWA are comprised of (a) tests which are performed during the installation of a CCFLC SWA Service, and (b) tests which are performed after acceptance of such access services by an IC, i.e., in-service tests. These in-service tests may be further divided into two broad categories of tests: scheduled and nonscheduled.

a. Scheduled Tests

Scheduled tests are those tests performed by the Company on a regular basis, e.g., monthly, which result in the measurement of CCFLC SWA Service. Scheduled tests may be done on an automatic basis (no Company or IC technician(s) involved), on a cooperative basis (Company technician(s) involved at Company office(s) and IC technician(s) involved at the IC's terminal location(s)), or on a manual basis (Company technician(s) involved at Company office(s) and at the IC's terminal location(s)).

b. Nonscheduled Tests

Nonscheduled test are performed by the Company "on demand", which result in the measurement of CCFLC SWA Services. Nonscheduled tests may involve Company technicians at Company offices and at the IC's terminal location.

2. Additional Cooperative Acceptance Testing

a. Additional Cooperative Acceptance Testing (ACAT) of CCFLC SWA Service involves the Company provision of a technician at its office(s) and the IC provision of a technician at its terminal location(s), with suitable test equipment to performing the required tests.

SECTION 13 - ADDITIONAL ENGINEERING, ADDITIONAL LABOR AND
MISCELLANEOUS CHARGES (CONT'D)

13.3 Miscellaneous Services (Cont'd)

13.3.5 Testing Services (Cont'd)

D. CCFLC SWA Service (Cont'd)

2. Additional Cooperative Acceptance Testing (Cont'd)

b. Additional Cooperative Acceptance Tests may, for example, consist of the following tests:

- Impulse Noise Phase Jitter
- Signal to C-Notched Noise Ratio
- Intermodulation (Nonlinear) Distortion
- Frequency Shift (Offset)
- Envelope Delay Distortion
- Dial Pulse Percent Break

3. Automatic Scheduled Testing

a. Automatic Scheduled Testing (AST) of CCFLC SWA services (CCFLC SWA FCC or CCFLC SWA FGD), where the IC provides remote office test lines and 105 test lines with associated responders or their functional equivalent, will consist of monthly loss and C-message or C-notched noise tests. However, the IC may specify a greater number of tests. In addition to the loss and noise tests, the IC may also order, at additional charges, gain-slope and balance testing.

b. The Company will provide a monthly AST report that lists the test results for each trunk tested.¹

Note 1: Trunk test failures requiring IC participation for trouble resolution will be provided to the IC on an as-occurs basis.

SECTION 13 - ADDITIONAL ENGINEERING, ADDITIONAL LABOR AND
MISCELLANEOUS CHARGES (CONT'D)

13.3 Miscellaneous Services (Cont'd)

13.3.5 Testing Services (Cont'd)

D. CCFLC SWA Service (Cont'd)

4. Cooperative Scheduled Testing

- a. CCFLC SWA FGC and CCFLC SWA FGD, not routed through an access tandem, where the Company provides a technician at its office(s) and the IC provides a technician at its terminal location(s) with suitable test equipment to perform the required tests, will consist of quarterly loss and C-message or C-notched noise tests. However, the IC may specify a greater number of tests. In addition to the loss and noise tests, the IC may also order, at additional charges, gain-slope and balance testing.
- b. The Company will provide, on a quarterly basis, a CST report that lists the test results for each trunk tested.¹

5. Manual Scheduled Testing

- a. Manual Scheduled Testing (MST) of CCFLC SWA services (CCFLC SWA FGB and CCFLC SWA FGD, not routed through an access tandem), where the Company provides a technician at its office(s) and at the IC's terminal location, will consist of quarterly loss and C-message or C-notched noise tests. However, the IC may specify a greater number of tests. In addition to the loss and noise tests, the IC may also order, at additional charges, gain-slope and balance testing.
- b. The Company will provide, on a quarterly basis, an MST report that lists the test results for each trunk tested.¹

Note 1: Trunk test failures requiring IC participation for trouble resolution will be provided to the IC on an as-occurs basis.

SECTION 13 - ADDITIONAL ENGINEERING, ADDITIONAL LABOR AND
MISCELLANEOUS CHARGES (CONT'D)

13.3 Miscellaneous Services (Cont'd)

13.3.5 Testing Services (Cont'd)

D. CCFLC SWA Service (Cont'd)

6. Nonscheduled Testing

a. Nonscheduled Testing (NST) of Switched Access Services is where:

1. The IC provides remote office test lines and 105 test lines with associated responders or their functional equivalent ("automatic testing"), or
2. The Company provides a technician at its office(s) and the IC provides a technician at its terminal location(s), with suitable test equipment to perform the required tests ("cooperative testing"), or
3. The Company provides a technician at its office(s) and/or at the IC's terminal location(s) with suitable test equipment to perform the required tests ("manual testing").

b. Nonscheduled Tests, may consist of any tests, e.g., loss, noise, slope, envelope delay¹, or balance which the IC may require.

7. Obligations of the IC

- a. The IC shall provide the Remote Office Test Line priming data to the Company, as appropriate, to support AST as set forth in 3. preceding or NST as set forth in 6. preceding.
- b. The IC shall make the facilities to be tested available to the Company at times mutually agreed upon.
- c. Access to the test lines for CCFLC SWA FGD service should follow protocols recommended in Technical Reference TR-NPL-00258.

Note 1: Envelope delay tests are not available with Automatic Testing.

SECTION 13 - ADDITIONAL ENGINEERING, ADDITIONAL LABOR AND
MISCELLANEOUS CHARGES (CONT'D)

13.3 Miscellaneous Services (Cont'd)

13.3.5 Testing Services (Cont'd)

E. Dedicated Access Service

The Company will, at the request of an IC or End User, provide assistance in performing specific tests requested by the IC or End User.

1. Additional Cooperative Acceptance Testing (ACAT)

When an IC provides a technician at its terminal location or its End User's premises, with suitable test equipment to perform the required tests, the Company will provide a technician at its office for the purpose of conducting Additional Cooperative Acceptance Testing on voice grade services. At the IC's or End User's request, the Company will provide a technician at the IC terminal location or at the End User's premises. These tests may, e.g., consist of the following:

- a. VGI through VG 5: Attenuation Distortion, C-Message Noise and Echo Control
- b. VG6 through VG 12: Attenuation Distortion, C-Message Noise, Echo Control Impulse Noise, Phase Jitter, Intermodulation Distortion, Envelope Delay Distortion and Frequency Shift.

2. Nonscheduled Testing (NST)

When an IC provides a technician at its terminal location and/or the End User provides a technician at its premises, with suitable test equipment to perform the required tests, the Company will provide a technician at its office for the purpose of conducting Nonscheduled Testing. At the IC's or End User's request, the Company will provide a technician at the IC terminal location or at the End User's premises. Nonscheduled Tests, may consist of any tests, e.g., loss, noise, slope, envelope delay, which the IC or End User may require.

3. Obligation of the IC and End User

When the IC or End User subscribes to Testing Service as set forth in this section, the IC or End User shall make the facilities to be tested available to the Company at times mutually agreed upon.

SECTION 13 - ADDITIONAL ENGINEERING, ADDITIONAL LABOR AND
MISCELLANEOUS CHARGES (CONT'D)

13.3 Miscellaneous Services (Cont'd)

13.3.5 Testing Services (Cont'd)

F. Rates and Charges

1. CCFLC SWA

a. Additional Cooperative Acceptance Testing

(1) Testing Periods

	First Half Hour or Fraction <u>Thereof</u>	Each Additional Half Hour or Fraction <u>Thereof</u>
(a) Basic Time (normally scheduled working hours.)	\$43.75	\$17.54
(b) Overtime (Outside normally scheduled working)	\$47.02	\$20.81
(c) Premium Time, outside scheduled work day.	\$50.29	\$24.08

b. Automatic Scheduled Testing (AST)

AST requires a minimum yearly contract for twelve 1004 Hz Loss Tests and twelve C-Message or C-Notched Noise Tests per circuit. However, at the IC's option, a greater number of tests may be contracted for. As illustrated in the following example, billing for each test ordered will be spread over a twelve month period. Optional tests, as set forth in (2) following, may be contracted for at additional charges. Sixty (60) days notice is required when a request for a greater number of tests or additional tests is made subsequent to the initial order.

SECTION 13 - ADDITIONAL ENGINEERING, ADDITIONAL LABOR AND
MISCELLANEOUS CHARGES (CONT'D)

13.3 Miscellaneous Services (Cont'd)

13.3.5 Testing Services (Cont'd)

F. Rates and Charges (Cont'd)

1. CCFLC SWA (Cont'd)

b. Automatic Scheduled Testing (AST) (Cont'd)

1. To first point of switching, Basic Tests' per test ordered, per year

Monthly
Rate

- | | | |
|----|------------------------------|--------|
| a. | 1004 Hz Loss, per circuit | \$0.06 |
| b. | C-Message Noise, per circuit | \$0.06 |
| c. | C-Notched Noise, per circuit | \$0.06 |

2. To first point of switching, Optional Tests, per test ordered, per year

Monthly
Rate

- | | | |
|----|------------------------------------|--------|
| a. | Return Loss (Balance), per circuit | \$0.06 |
| b. | Gain-Slope, per circuit | \$0.06 |

Example - At a minimum, an IC would schedule 12 1004 Hz Loss Tests and 12 C-Message Noise Tests or 12 1004 Hz Loss Tests and 12 C-Notched Noise Tests, for a total of 24 Basic Tests per circuit per year. The charges would be computed on a monthly basis as follows:

Min. Basic Tests Per Year (24) x Mo. Rate Per Test (\$.06) =
Min. Mo. Charge (\$1.44)

SECTION 13 - ADDITIONAL ENGINEERING, ADDITIONAL LABOR AND
MISCELLANEOUS CHARGES (CONT'D)

13.3 Miscellaneous Services (Cont'd)

13.3.5 Testing Services (Cont'd)

F. Rates and Charges (Cont'd)

1. CCFLC SWA (Cont'd)

c. Cooperative Scheduled Testing (CST)

CST requires a minimum yearly contract for four 1004 Hz Loss Tests and four C-Message or C-Notched Noise Tests per circuit. However, at the IC's option, a greater number of tests may be contracted for. As illustrated in the following example, each test ordered will be billed to the IC on a monthly basis over a twelve month period. Optional tests, as set forth in (2) following may be contracted for at additional charges. Sixty (60) days notice is required when a request for a greater number of tests or additional tests is made subsequent to the initial order.

1. To first point of switching, Basic Tests¹ per test ordered, per year

Monthly
Rate

- | | | |
|----|------------------------------|--------|
| a. | 1004 Hz Loss, per circuit | \$0.34 |
| b. | C-Message Noise, per circuit | \$0.25 |
| c. | C-Notched Noise, per circuit | \$0.25 |

2. To first point of switching, Optional Tests, per test ordered, per year

Monthly
Rate

- | | | |
|----|------------------------------------|--------|
| a. | Return Loss (Balance), per circuit | \$0.55 |
| b. | Gain-Slope, per circuit | \$0.34 |

Example - At a minimum an IC would schedule 4 1004 Hz Loss Tests and 4 C-Message Noise Tests or 4 1004 Hz Loss Tests and 4 C-Notched Noise Tests for a total of 8 Basic Tests per circuit per year. The charges would be computed on a monthly basis as follows:

Note 1: Subject to a one year minimum contract period and annually thereafter.

SECTION 13 - ADDITIONAL ENGINEERING, ADDITIONAL LABOR AND
MISCELLANEOUS CHARGES (CONT'D)

13.3 Miscellaneous Services (Cont'd)

13.3.5 Testing Services (Cont'd)

F. Rates and Charges (Cont'd)

1. CCFLC SWA (Cont'd)

c. Cooperative Scheduled Testing (CST) (Cont'd)

2. To first point of switching, Optional Tests, per test ordered, per year (cont'd)

$$\begin{array}{r r r r r} 4 & \times & .34 & = & 1.36 \\ + & 4 & \times & .25 & = & 1.00 \end{array}$$

Total equals \$2.36 per month, per circuit.

d. Manual Scheduled Testing (MST)

MST requires a minimum yearly contract for four 1004 Hz Loss Tests and four C-Message, or C-Notched Noise Tests per circuit. However, at the IC's option a greater number of tests may be contracted for. As illustrated in the following example, each test ordered will be billed to the IC on a monthly basis over a twelve month period. Optional tests, as set forth in (2) following, may be contracted for at additional charges. Sixty (60) days notice is required when a request for a greater number of tests or additional tests is made subsequent to the initial order. (1) To first point of switching, Basic Tests' per test ordered, per year

SECTION 13 - ADDITIONAL ENGINEERING, ADDITIONAL LABOR AND
MISCELLANEOUS CHARGES (CONT'D)

13.3 Miscellaneous Services (Cont'd)

13.3.5 Testing Services (Cont'd)

F. Rates and Charges (Cont'd)

1. CCFLC SWA (Cont'd)

d. Manual Scheduled Testing (MST)

1. To first point of switching, Basic Tests¹ per test ordered, per year.

	Monthly <u>Rate</u>
a. 1004 Hz Loss, per circuit	\$0.90
b. C-Message Noise, per circuit	\$0.59
c. C-Notched Noise, per circuit	\$0.59

2. To first point of switching, Optional Tests, per test ordered, per year

a. Return Loss (Balance), per circuit	\$1.20
b. Gain-Slope, per circuit	\$0.90

Example: See 1.c. preceding.

e. Nonscheduled Testing (NST)

1. Automatic Testing, to first point of switching, per test performed:

	Monthly <u>Rate</u>
a. 1004 Hz Loss	\$12.44
b. C-Message Noise	\$12.44
c. Return Loss (Balance)	\$12.44
d. Gain-Slope	\$12.44
e. C-Notched Noise	\$12.44

Note 1: Subject to a one year minimum contract period and annually thereafter.

SECTION 13 - ADDITIONAL ENGINEERING, ADDITIONAL LABOR AND
MISCELLANEOUS CHARGES (CONT'D)

13.3 Miscellaneous Services (Cont'd)

13.3.5 Testing Services (Cont'd)

F. Rates and Charges (Cont'd)

1. CCFLC SWA (Cont'd)

e. Nonscheduled Testing (NST) (Cont'd)

2. Cooperative Testing, Testing Periods

	First Half Hour or Fraction <u>Thereof</u>	Each Additional Half Hour or Fraction <u>Thereof</u>
a. Basic time, normally scheduled working hours.	\$43.75	\$17.54
b. Overtime, outside normally scheduled working hours on a scheduled work day	\$47.02	\$20.81
c. Premium time, outside scheduled work day.	\$50.29	\$24.08

3. Manual Testing, Testing Periods

a. Basic time, normally scheduled working hours.	\$43.93	\$17.72
b. Overtime, outside normally scheduled working hours on a scheduled work day	\$47.12	\$20.91
c. Premium time, outside scheduled work day.	\$50.31	\$24.10

SECTION 13 - ADDITIONAL ENGINEERING, ADDITIONAL LABOR AND
MISCELLANEOUS CHARGES (CONT'D)

13.3 Miscellaneous Services (Cont'd)

13.3.5 Testing Services (Cont'd)

F. Rates and Charges (Cont'd)

2. Dedicated Access Services

a. Additional Cooperative Acceptance Testing (ACAT)

(1) Applies to the following tests:

VG1 through 5: Attenuation Distortion, C-Message Noise and Echo Control

VG6 through 12: Attenuation Distortion, C-Message Noise, Echo Control Impulse Noise, Phase Jitter, Intermodulation Distortion, Envelope Delay Distortion and Frequency Shift Testing Periods

	First Half Hour or Fraction <u>Thereof</u>	Each Additional Half Hour or Fraction <u>Thereof</u>
(a) Basic time, normally scheduled working hours.	\$44.12	\$17.91
(b) Overtime, outside normally scheduled working hours on a scheduled work day	\$47.22	\$21.01
(c) Premium time, outside scheduled work day.	\$50.33	\$24.12

SECTION 13 - ADDITIONAL ENGINEERING, ADDITIONAL LABOR AND
MISCELLANEOUS CHARGES (CONT'D)

13.3 Miscellaneous Services (Cont'd)

13.3.5 Testing Services (Cont'd)

F. Rates and Charges (Cont'd)

2. Dedicated Access Services (Cont'd)

b. Nonscheduled Testing (NST)

(1) Testing Periods

	First Half Hour or Fraction <u>Thereof</u>	Each Additional Half Hour or Fraction <u>Thereof</u>
(a) Basic time, normally scheduled working hours.	\$44.12	\$17.91
(b) Overtime, outside of normally scheduled working hours on a scheduled work day	\$47.22	\$21.01
(c) Premium time, outside scheduled work day.	\$50.33	\$24.12

SECTION 13 - ADDITIONAL ENGINEERING, ADDITIONAL LABOR AND
MISCELLANEOUS CHARGES (CONT'D)

13.3 Miscellaneous Services (Cont'd)

13.3.6 Provision of Access Service Billing Information

- A. The IC or End User will receive monthly access bills in a standard paper format at no additional charge.
- B. At the option of the IC or End User, and for an additional charge, billing detail may be provided on magnetic tape or microfiche, or transmitted to the IC's or End User's premises by data transmission.
- C. Rates and charges for microfiche and for data transmission (including the period of time to implement the transmission of such material) will be determined on an individual case basis (ICB).
- D. The IC or End User may, for additional charges, request additional copies of the access bill, and/or the IC or End User service record (CSR). These copies may be provided in standard paper format or microfiche format.
- E. A maximum of eight additional paper copies of the access bill may be requested and all copies will be sent to the IC's or End User's billing address. Rates for paper copies are on a per page basis.
- F. A maximum of 99 copies of the access bill will be provided in microfiche format. Unless otherwise specified by the IC or End User, microfiche copies will be sent to the IC's or End User's billing address.
- G. Only one copy of the magnetic tape will be provided. The magnetic tape will be provided by the Company without requiring the IC or End User to return previously supplied tapes.
- H. A Service Establishment Charge for additional paper copies and for magnetic tape applies on a per request basis. Any change in the original request will be considered a new request and a Service Establishment Charge will apply.

SECTION 13 - ADDITIONAL ENGINEERING, ADDITIONAL LABOR AND
MISCELLANEOUS CHARGES (CONT'D)

13.3 Miscellaneous Services (Cont'd)

13.3.6 Provision of Access Service Billing Information (Cont'd)

- I. Unless otherwise specified by the IC or End User, paper copies or magnetic tape will be sent via U.S. Mail service. However, at the IC's or End User's request, the IC or End User or the IC's or End User's representative may pick up the paper copies or tape at a location designated by the Company.
- J. The IC or End User may deem it necessary to request the Company resend the access service billing information. Such a request, when not the result of Company error, will be subject to the same rates and charges as the original request. These are set forth in K following.
- K. The following rates are applicable for the provision of Access Service Billing Information:
 - 1. Provision of Standard Billing Detail and/or Information in magnetic tape format

		Service Establishment Charge Per Request	
		Per Tape	Monthly
		<u>Per Record</u>	<u>Rate</u>
(a)	Per request ¹	\$---	\$---
(b)	Per Tape ¹	\$---	\$---
(c)	Per record ¹	\$---	\$---
2.	Data transmission to an IC terminal location of Billing Detail and/or Information		
(a)	Per record transmitted ¹	\$---	\$---
3.	Additional copies of IC monthly bill or service and features record in standard paper or microfiche format		
(a)	Per page ¹	\$---	\$---
(b)	Per microfiche record ¹	\$---	\$---

¹ Rates and charges based on individual cases will apply.

SECTION 13 - ADDITIONAL ENGINEERING, ADDITIONAL LABOR AND
MISCELLANEOUS CHARGES (CONT'D)

13.3 Miscellaneous Services (Cont'd)

13.3.7 Protective Connecting Arrangements

- A. See each company's Local and/or General Subscriber Service Tariff for Rates and Regulations.

13.3.8 Controller Arrangement

- A. This arrangement enables the IC to control up to 48 transfer functions at a Company central office via a CPE remote keyboard terminal capable of either 300 or 1200 bps operation. Included as part of the Controller Arrangement is a dial-up data station located at the Company Central Office to provide access to the Controller Arrangement. The dial-up data station consists of a 212A DATAPHONE data set and an appropriate Company provided channel.
 - 1. The Controller Arrangement must be located in the same Company central office as the transfer functions which it controls.

	Monthly <u>Rate</u>
(a) Controller Arrangement ¹ , each	\$---

¹ Rates and charges based on individual cases will apply.

SECTION 13 - ADDITIONAL ENGINEERING, ADDITIONAL LABOR AND
MISCELLANEOUS CHARGES (CONT'D)

13.3 Miscellaneous Services (Cont'd)

13.3.9 Telecommunications Service Priority (TSP) System

A. Service Description

1. The Telecommunications Service Priority (TSP) System is a structured coding scheme that prescribes the order in which National Security Emergency Preparedness (NSEP) telecommunications services are installed or restored. TSP service is limited to qualifying state and local governments, the federal government, foreign governments and certain private industry telecommunications services. The Company can only accept orders for TSP service from holders of valid TSP Authorization Codes. TSP Authorization Codes are administered by The Manager, National Communications System (TSP Program Office), Washington, D.C. 20305-2010. The TSP System was developed to support the requirements of the U. S. Government and applies only to NSEP telecommunications services to which the Company is able to apply priority treatment. It requires and authorizes priority action by the Company.
2. Conditions of emergency or crises that cause invocation of NSEP treatment can only be declared by authorized officials of the Federal Government or other officials (Federal or non-Federal) specified by the Manager - National Communications System (NCS) on behalf of the Executive Office of the President of the United States.

SECTION 13 - ADDITIONAL ENGINEERING, ADDITIONAL LABOR AND
MISCELLANEOUS CHARGES (CONT'D)

13.3 Miscellaneous Services (Cont'd)

13.3.9 Telecommunications Service Priority (TSP) System (Cont'd)

B. Service Limitations

1. Priority installation and/or restoration of NSEP telecommunications services shall be provided in accordance with Part 64.401, Appendix A, of the Federal Communications Commission's Rules and Regulations.

In addition, TSP System service shall be provided in accordance with the guidelines set forth in "Telecommunications Service Priority (TSP) System for National Security Emergency Preparedness (NSEP) Service User Manual" (NCS manual 3-1-1 dated July 9, 1990) and "Telecommunications Service Priority (TSP) System for National Security Emergency Preparedness (NSEP) Service Vendor Handbook" (NCS manual 3-1-2 dated July 9, 1990).

2. The customer for the TSP System service must also be the same customer for the underlying Access Service with which it is associated.
3. The Company will arrange for the installation and/or restoration of TSP System service upon receipt of the proper certification as specified in 1 preceding.
4. It is the responsibility of the TSP user to provide the TSP Authority Code to the Company with each service request.
5. When performing Priority Installation or Priority Restoration (repair) on TSP-designated services in compliance with the Rules and Regulations cited in 1 preceding, the Company may not be in a position to notify the customer regarding additional labor charges if additional labor is required. The customer recognizes that quoting charges and obtaining permission to proceed with the installation or restoration of service may cause unnecessary delays and grants the Company the right to quote charges after the installation or restoration has been completed.

SECTION 13 - ADDITIONAL ENGINEERING, ADDITIONAL LABOR AND
MISCELLANEOUS CHARGES (CONT'D)

13.3 Miscellaneous Services (Cont'd)

13.3.9 Telecommunications Service Priority (TSP) System (Cont'd)

C. Rules and Regulations

1. Under certain conditions, it may be necessary to preempt one or more customer services with a lower (or no) restoration priority in order to install or restore NSEP telecommunications service(s). If preemption is necessary and if circumstances permit, the Company will make every reasonable effort to notify the preempted customer of the action to be taken. Credit allowance for service preemption will adhere to the provisions appearing in 2.5 of this Tariff.

No charge applies when a TSP designation is discontinued.

With the exception of credit information, a customer obtaining TSP System service acknowledges and consents to the provision of certain customer service details by the Company to the Federal Government to allow for the proper maintenance and administration of the TSP System. That information includes but is not necessarily limited to:

- Confirmation of completed TSP service orders directly to the Manager, National Communications System (NCS); - Verification of installation and/or restoration priority level assignment(s) with the Manager, NCS;
- Reconciliation of TSP service information with the Manager, NCS, or the customer (prime service vendor).

SECTION 13 - ADDITIONAL ENGINEERING, ADDITIONAL LABOR AND
MISCELLANEOUS CHARGES (CONT'D)

13.3 Miscellaneous Services (Cont'd)

13.3.9 Telecommunications Service Priority (TSP) System (Cont'd)

D. Definitions

National Communications System (NCS)

The NCS is established under the Executive Office of the President of the United States and is responsible for the day-to-day operations of the TSP System. This includes maintaining a twenty-four hour point-of-contact to handle emergency provisioning requests, assigning priority levels and Authorization Codes and maintaining data on TSP assignments.

National Security Emergency Preparedness (NSEP) Services

NSEP services are telecommunications services that are used to maintain a state of readiness or to respond to and manage any events or crises (local, national or international) which causes or could cause injury or harm to the population, damage to or loss of property, or degrade or threaten the NSEP posture of the United States.

Prime Vendor

The service vendor from whom the service user or its authorized agent orders service.

Priority Installation (PI)

Provisioning, on a priority basis, of a new TSP service authorized as so urgent that it must be provided earlier than the Company's standard provisioning interval.

Priority Restoration (PR)

Restoration, on a priority basis, of an existing TSP service for which any interruption would have serious adverse impact on the supported NSEP function.

SECTION 13 - ADDITIONAL ENGINEERING, ADDITIONAL LABOR AND
MISCELLANEOUS CHARGES (CONT'D)

13.3 Miscellaneous Services (Cont'd)

13.3.9 Telecommunications Service Priority (TSP) System (Cont'd)

D. Definitions (Cont'd)

Subcontractor

The service vendor from whom the prime vendor obtains service for the completion of the prime vendor's end-to-end service.

Telecommunications Service Priority (TSP) System

TSP is a structured coding scheme that establishes the order in which NSEP services are to be installed or restored in the event of an emergency. The TSP System was developed to ensure priority treatment of the nation's most important telecommunications services.

TSP Authorization Code

A twelve character code that identifies an NSEP TSP service and denotes the order in which that service is to be provisioned (installed) and/or restored.

E. TSP Rate Categories

1. There are two basic rate categories which apply to TSP System service:
 - a. Priority Installation
 - b. Priority Restoration - Level Implementation - Level Change - Maintenance/Administration
2. Certain activities associated with the TSP System are included in the rate elements as follows:
 - a. Priority Installation includes order coordination.
 - b. Priority Restoration includes system development, verification and confirmation.

SECTION 13 - ADDITIONAL ENGINEERING, ADDITIONAL LABOR AND
MISCELLANEOUS CHARGES (CONT'D)

13.3 Miscellaneous Services (Cont'd)

13.3.9 Telecommunications Service Priority (TSP) System (Cont'd)

F. Rates and Charges

1. The following rates and charges are in addition to all other rates and charges that may be applicable for other services furnished in conjunction with TSP service:

a. Priority Installation (P1)¹

(1) Per circuit

		Nonrecurring <u>Charge</u>	Monthly <u>Rate</u>
(a)	Prime vendor	\$83.00	\$---
(b)	Subcontractor	\$83.00	\$---

b. Priority Restoration (PR)¹, per circuit

(1) Level Implementation

		Nonrecurring <u>Charge</u>	Monthly <u>Rate</u>
(a)	Prime vendor	\$64.00	\$---
(b)	Subcontractor	\$64.00	\$---

(2) Level Change

		Nonrecurring <u>Charge</u>	Monthly <u>Rate</u>
(a)	Prime vendor	\$64.00	\$---
(b)	Subcontractor	\$64.00	\$---

(3) Administration Maintenance

		Nonrecurring <u>Charge</u>	Monthly <u>Rate</u>
(a)	Prime vendor	\$---	\$3.00
(b)	Subcontractor	\$---	\$3.00

Note 1: TSP Authority Codes are not applicable to the Hub-to-Hub portion of a multipoint arrangement.

SECTION 13 - ADDITIONAL ENGINEERING, ADDITIONAL LABOR AND
MISCELLANEOUS CHARGES (CONT'D)

13.3 Miscellaneous Services (Cont'd)

13.3.10 CCFLC Administrative Management Service

A. Service Description

1. General

CCFLC Administrative Management Service provides customers access to other Company network management products, and provides the customers greater control of and additional information about the network services they purchase from the Company. The features offered under Basic Service A are provided through the same system, Electronic Communications Gateway, that the Company utilizes for access to these features. The features offered under Basic Service B are being offered through the system utilized for the initial CCFLC Administrative Management Service offering.

Although most Operation Support Systems (OSS) are optional on a nominal business day, CCFLC Administrative Management Service will be provided on a twenty-four hour basis for continuous usage of those systems that are accessible twenty-four hours.

2. Customer Access

The customer, for the existing CCFLC Administrative Management service, will have access to the service through a customer provided VTI 00 terminal with a choice of up to 2400 bits per second (BPS) dial access or a dedicated 9600 bps private line. For the features offered through Basic Service A, the customer may choose to access the Preferred Interexchange Carder (PIC) Service by utilizing a workstation or Personal Computer, and either connecting via a dial access (up to 19.2 bps) or a private line connection. The Trouble Administration (TA) service may be accessed with a Personal Computer via the Public Internet or a private line connection. If the customer of Basic Service A chooses a dial access, the purchase of a Security Card will be required for each dial access arrangement.

SECTION 13 - ADDITIONAL ENGINEERING, ADDITIONAL LABOR AND
MISCELLANEOUS CHARGES (CONT'D)

13.3 Miscellaneous Services (Cont'd)

13.3.10 CCFLC Administrative Management Service (Cont'd)

A. Service Description (Cont'd)

2. Customer Access (Cont'd)

If the subscriber has purchased a Security Card in conjunction with another feature or service offered by the Company, that Security Card may also be used in conjunction with Basic Service A. It is up to the subscriber to notify the Company of an existing Security Card so the Company can ensure that the card is validated for multiple features and/or services.

3. Maintenance and Operation

Due to the nature of the hardware used to offer these services it may be necessary to perform preventive and routine maintenance on the system. At such times, the customers will be notified in advance as to the time and duration of these outages.

B. Regulations

1. Basis of Offering

CCFLC Administrative Management Service will be available where facilities are available.

Basic Service A will provide the customer the following capabilities.

- PIC Inquiry and Order (for CCFLC SWA FGD Customers)
- Trouble Administration on Access Service

Basic Service B will provide the customer the following capabilities.

- Product and Service Information
- Service Order Status on Access Service
- Billing Information on Access Service

The Company shall not be responsible if changes in any of the equipment, operations, or procedures of the Company utilized in the provision of these services render any facilities provided by a customer obsolete or require modification or alteration of such equipment or system or otherwise affect its use or performance.

SECTION 13 - ADDITIONAL ENGINEERING, ADDITIONAL LABOR AND
MISCELLANEOUS CHARGES (CONT'D)

13.3 Miscellaneous Services (Cont'd)

13.3.10 CCFLC Administrative Management Service (Cont'd)

B. Regulations (Cont'd)

1. Basis of Offering (Cont'd)

The Company will assist the customer in resolving any installation or day to day channel service problems. However, the Company does not assume responsibility for the compatibility or suitability of the customer's equipment.

2. Provision of Service

Customer access to the existing CCFLC Administrative Management Service may be either CCFLC SWA (Dial) Service, a Private Line Service, or Public Internet Service.

For dial/shared access, the customer will be required to provide a terminal, a modem, and dial tone at his premises. Provided the customer's premises resides in a Company LATA, the customer will dial a non-toll access number which furnishes access to CCFLC Administrative Management Service. If the customer's premises does not reside in a Company LATA, the customer must obtain an access line to a Company location from which the Company offers access to CCFLC Administrative Management Service. The CCFLC Administrative Management Service port will be assigned a seven-digit number to enable the customer to access this port. If the customer desires multiple telephone numbers to access CCFLC Administrative Management Service, an additional port charge will be required for each additional telephone number requested.

SECTION 13 - ADDITIONAL ENGINEERING, ADDITIONAL LABOR AND
MISCELLANEOUS CHARGES (CONT'D)

13.3 Miscellaneous Services (Cont'd)

13.3.10 CCFLC Administrative Management Service (Cont'd)

B. Regulations (Cont'd)

2. Provision of Service (Cont'd)

Dedicated access will be provided at speeds up to 9600 bps for customers wanting continuous access to the existing CCFLC Administrative Management Service. The customer will be required to provide at his premises a terminal and a modem and to obtain a dedicated data circuit to a location designated by the Company at which the Company provides access to CCFLC Administrative Management Service.

For the Basic Service A offering the customer will be required to provide a terminal, a modem, and a dial tone at his premises and obtain a Security Card for each dial access desired.

Dedicated Access will be provided for customers of Basic Service A desiring continuous access to this offering. Additionally, the customer of Basic Service A will be required to provide at his premises a terminal, a modem, and obtain a dedicated data circuit to a location designated by the Company at which the Company provides access to Basic Service A.

The customer will be responsible for installation, maintenance and testing of customer-provided terminal equipment.

C. Explanation of Terms

Billing Information on Access Service

The customer will have access to his records, whereby, he may gain information about his last and current bill amount and any payments or adjustments posted to date. He will also have access to his Customer Service record, which provides detailed information about his services provided by the Company.

PIC Inquiry and Order

This feature provides switched access customers (CCFLC SWA FGD) the ability to perform the following Prescribed Interexchange Carrier (PIC) functions.

- PIC Inquiry
- PIC Order

SECTION 13 - ADDITIONAL ENGINEERING, ADDITIONAL LABOR AND
MISCELLANEOUS CHARGES (CONT'D)

13.3 Miscellaneous Services (Cont'd)

13.3.10 CCFLC Administrative Management Service (Cont'd)

C. Explanation of Terms

Product and Service Information

This feature provides the following Central Office information: CLLI codes, switch type, V&H coordinates, network access lines, host information (if applicable), switch location, and equal access information.

Service Order Status on Access Service

The customer will have access to a mechanized interface for use when viewing order status information for Access Service.

Trouble Administration on Access Service

This feature offers mechanized access for the customer to electronically perform the following functions.

- Enter Trouble Report
- Request Trouble Report Status
- Add Trouble Report Information
- Modify Trouble Report Attributes
- Verify Repair Completions
- Cancel Trouble Report
- Trouble Report Attribute Value Change

D. Application of Rates

1. Basic Service A

Basic Service A includes service establishment, multilevel security, network administration aids which includes a user's handbook for Customer Training, Port Access, User ID's and Features listed.

- PIC Inquiry and Order (for CCFLC SWA FGD Customers)
- Trouble Administration on Access Service

This Rate Element is offered at no charge.

SECTION 13 - ADDITIONAL ENGINEERING, ADDITIONAL LABOR AND
MISCELLANEOUS CHARGES (CONT'D)

13.3 Miscellaneous Services (Cont'd)

13.3.10 CCFLC Administrative Management Service (Cont'd)

D. Application of Rates (Cont'd)

2. Security Card

Dial customers of Basic Service A must order a Security Card. A nonrecurring charge will apply. This card provides the customer a unique password identification code, which will electronically change periodically, thereby providing a valuable layer of security. Should the customer require additional cards for reasons such as additional users or lost or damaged card, a nonrecurring charge will apply for each additional card requested.

3. Basic Service B

Basic Service B includes service establishment, multilevel security and network administration aids, which includes a user's handbook for customer training.

A non-recurring charge and a recurring rate will apply.

4. User ID Charge

The User ID charge is a nonrecurring charge per customer for Basic Service B.

5. Port Access

Port Access, which is required for each access capability for Basic Service B desired by the customer, includes a nonrecurring charge and a recurring rate.

Rates and charges for dial/shared port access is as set forth in E.5(a) following.

Rates and charges for dedicated port access is as set forth in E.5(b) following.

SECTION 13 - ADDITIONAL ENGINEERING, ADDITIONAL LABOR AND MISCELLANEOUS CHARGES (CONT'D)

13.3 Miscellaneous Services (Cont'd)

13.3.10 CCFLC Administrative Management Service (Cont'd)

D. Application of Rates (Cont'd)

6. Features Access to the required background OSS will be provided via the normal control network at each System.
- For each feature described in E.3, following, a nonrecurring charge and a recurring rate applies.
 - The PIC charges apply only for access to the system. This charge is in addition to all other appropriate PIC change charges as found in 13.3.3 preceding.

E. Rates and Charges

Basic Service A includes service establishment, multilevel security, and network administration aids which includes a user's handbook for Customer Training, Port Access and Features listed.

- PIC Inquiry and Order (for CCFLC SWA FGD Customers only)
- Trouble Administration on Access Service

(1) Basic Service A

	<u>Nonrecurring Charge</u>
(a) Security Card - Initial and Subsequent	\$100.00

(2) Basic Service B

Basic Service B includes service establishment, multilevel security, and network administration aids, which includes a user's handbook for customer training.

	<u>Nonrecurring Charge</u>	<u>Monthly Rate</u>
(a) Initial Setup	\$715.75	\$55.00

SECTION 13 - ADDITIONAL ENGINEERING, ADDITIONAL LABOR AND
MISCELLANEOUS CHARGES (CONT'D)

13.3 Miscellaneous Services (Cont'd)

13.3.10 CCFLC Administrative Management Service (Cont'd)

E. Rates and Charges (Cont'd)

(3) Features per Subscribed System

	Nonrecurring <u>Charge</u>	Monthly <u>Rate</u>
(a) Product and Service Information	\$593.25	\$43.25
(b) Service Order Status on Access Service	\$306.45	\$29.35
(c) Billing Information on Access Service	\$305.45	\$34.75

(4) User ID's, per Customer

	Nonrecurring <u>Charge</u>	Monthly <u>Rate</u>
(a) First 15	\$18.00	\$---
(b) Each Additional set of 5	\$18.00	\$---

(5) Port Access, per Access Capability

	Nonrecurring <u>Charge</u>	Monthly <u>Rate</u>
(a) Dial/Shared Access	\$67.00	\$76.00
(b) Dedicated Access	\$96.00	\$124.00

SECTION 13 - ADDITIONAL ENGINEERING, ADDITIONAL LABOR AND
MISCELLANEOUS CHARGES (CONT'D)

13.3 Miscellaneous Services (Cont'd)

13.3.11 RESERVED FOR FUTURE USE

13.3.12 CCFLC 8XX Toll Free Dialing Number Administration Service

CCFLC 8XX Toll Free Dialing Number Administration service is a Company provided service associated with CCFLC SWA 8XX Toll Free Dialing Ten Digit Screening service which provides for the assignment and administration of ten digit 800 number(s), (i.e., 800+NXX+XXXX). CCFLC SWA 8XX Toll Free Dialing Ten Digit Screening service requires the customer's subscription to the basic CCFLC 8XX Toll Free Dialing Number Administration service, following, or as an alternative the provision of those services by other responsible organizations or through direct access by the customer to the Service Management System. Optional features may be subscribed to in the same manner.

The CCFLC 8XX Toll Free Dialing Number Administration service customer is responsible for making the necessary arrangements with CCFLC SWA 8XX Toll Free Dialing Ten Digit Screening service providers to accept the CCFLC SWA 8XX Toll Free Dialing Ten Digit Screening service or POTS number for transport.

CCFLC 8XX Toll Free Dialing Number Administration service does not include the provision of a facility over which to terminate the 800 calls (e.g., WATS Access Line (a.k.a. CCFLC SPA WATS Line), Common Line, etc.).

Charges, as set forth following, will apply for each 800 number established with CCFLC 8XX Toll Free Dialing Number Administration service.

CCFLC 8XX Toll Free Dialing Number Administration service consists of the following basic service features, optional service features and optional Call Handling and Destination features.

SECTION 13 - ADDITIONAL ENGINEERING, ADDITIONAL LABOR AND
MISCELLANEOUS CHARGES (CONT'D)

13.3 Miscellaneous Services (Cont'd)

13.3.12 CCFLC 8XX Toll Free Dialing Number Administration Service (Cont'd)

A. Basic Service Features

1. 800 Number Assignment and Administration

CCFLC 8XX Toll Free Dialing Number Administration service provides for the assignment of ten digit 800 number(s) (i.e., 800+NXX+XXXX) to the CCFLC 8XX Toll Free Dialing 800 Number Administration service customer. The Company will select the number(s) to be assigned to the CCFLC 8XX Toll Free Dialing Number Administration service customer unless the CCFLC 8XX Toll Free Dialing Number Administration service customer requests a specific 800 number. If the requested number is available, the Company will make a reasonable effort to comply with the CCFLC 8XX Toll Free Dialing Number Administration service customer's request for the specific 800 number, in accordance with the CCFLC SWA 81X Toll Free Dialing Ten Digit Screening service Number Administration guidelines.

2. IntraLATA and InterLATA Carrier Selection

The CCFLC 8XX Toll Free Dialing Number Administration service customer must designate the intraLATA carrier and/or the interLATA carrier(s), as applicable, that will transport the 800 number or POTS number. The CCFLC 8XX Toll Free Dialing Number Administration service customer is responsible for arranging for the transport service and delivery of the CCFLC SWA 8XX Toll Free Dialing Ten Digit Screening Service calls.

The selection of one interLATA carrier and one intraLATA carrier is provided at no additional charge with the initial order for service. As an optional feature, the customer may subscribe to the Multiple Carrier Routing feature for which multiple carriers may be selected.

SECTION 13 - ADDITIONAL ENGINEERING, ADDITIONAL LABOR AND
MISCELLANEOUS CHARGES (CONT'D)

13.3 Miscellaneous Services (Cont'd)

13.3.12 CCFLC 8XX Toll Free Dialing Number Administration Service (Cont'd)

A. Basic Service Features (Cont'd)

3. Area of Service

Area of Service is defined as the geographical area from which calls to a particular 800 number may be received. The standard area of service provided with CCFLC SWA 8XX Toll Free Dialing Ten Digit Screening service is the entire state. Customers may specify other levels of area of service with the Customized Area of Service feature.

The Area of Service will be limited to that geographical area(s) served by those access service providers (e.g., Exchange Telephone Companies) that offer ten digit screening of 800 calls and also participate in the CCFLC SWA 8XX Toll Free Dialing Ten Digit Screening Service Number Administration guidelines. The Area of Service may also be limited to certain geographical areas depending on the access serving arrangements ordered by the access service customer.

The CCFLC SWA 8XX Toll Free Dialing Ten Digit Screening service provider is responsible for ensuring that appropriate traffic capacity is provided to accept such 800 dialed calls (i.e., where CCFLC SWA 8XX Toll Free Dialing Ten Digit Screening service has been provisioned as set forth in 6.2.5 preceding) from within the portion of the defined Area of Service served by the Company.

SECTION 13 - ADDITIONAL ENGINEERING, ADDITIONAL LABOR AND
MISCELLANEOUS CHARGES (CONT'D)

13.3 Miscellaneous Services (Cont'd)

13.3.12 CCFLC 8XX Toll Free Dialing Number Administration Service (Cont'd)

B. Optional Service Features

Various service options are available to the 800 Number Service customer as part of or in association with 800 Number Service.

1. 800 Number Reservation

800 Number Reservation allows for an 800 Number Service customer to reserve 800 numbers in advance of placing an order for 800 Number Service. Reserved 800 number(s) will be maintained in a reserved status for a period not to exceed 60 calendar days from the date the ASR is received. The 800 Number Service customer may request activation of any or all of the reserved numbers during the 60 day period. Activation is accomplished when the number is placed in the working status, at which time the 800 Number Service customer is responsible for providing the ordering information described in 5.2.1 preceding for 800 Number Service.

Reserved 800 numbers for which an ASR to activate is not received during the 60 day period will be removed from the reserved status on the 61st day following the 800 Number Service customer's original reservation date.

Charges, as set forth following, will apply for each 800 number reserved.

2. POTS Number Delivery

The 800 Number Service customer may specify whether the POTS number as opposed to the 800 number is desired. If requested, the terminating POTS number (NPA+NXX+XXXX) will be delivered in place of the dialed 800 number (800+NXX+XXXX). When the POTS number is to be forwarded, the 800 Number Service customer must provide to the Company the full ten digit POTS number to be associated with the 800 number and indicate to whom the POTS number is to be delivered.

SECTION 13 - ADDITIONAL ENGINEERING, ADDITIONAL LABOR AND
MISCELLANEOUS CHARGES (CONT'D)

13.3 Miscellaneous Services (Cont'd)

13.3.12 CCFLC 8XX Toll Free Dialing Number Administration Service (Cont'd)

B. Optional Service Features (Cont'd)

3. Customized Area of Service

The Customized Area of Service option provides for a unique customer defined geographic area from which calls to a particular 800 number may be received. The customer may define a specific area of service in terms of LATA(s), NPA(s) or combination thereof.

The Customized Area of Service will be limited to the geographical area(s) served by those access service providers (e.g., Exchange Telephone Companies) that offer CCFLC SWA 8XX Toll Free Dialing Ten Digit Screening service of 800 calls and also participate in the CCFLC SWA 8XX Toll Free Dialing Ten Digit Screening service Number Administration guidelines. The Area of Service may also be limited to certain geographical areas depending on the access serving arrangements ordered by the access service customer.

The CCFLC SWA 8XX Toll Free Dialing Ten Digit Screening service provider is responsible for ensuring that appropriate traffic capacity is provided to accept such 800 dialed calls (i.e., where CCFLC SWA 8XX Toll Free Dialing Ten Digit Screening service has been provisioned as set forth in 6.2.5 preceding) from within the portion of the defined Area of Service served by the Company.

4. Multiple Carrier Routing

The Multiple Carrier Routing option allows the CCFLC 8XX Toll Free Dialing Number Administration service customer to specify the use of different carriers for transport of 800 number or POTS number traffic within an area of service.

SECTION 13 - ADDITIONAL ENGINEERING, ADDITIONAL LABOR AND
MISCELLANEOUS CHARGES (CONT'D)

13.3 Miscellaneous Services (Cont'd)

13.3.12 CCFLC 8XX Toll Free Dialing Number Administration Service (Cont'd)

C. Call Handling and Destination Features

A number of optional Call Handling and Destination features are available to the CCFLC 8XX Toll Free Dialing Number Administration service customer. The customer is responsible for insuring the compatibility of any combination of features selected. The optional features are as follows.

1. Time of Day Routing

Time of Day Routing provides CCFLC SWA 8XX Toll Free Dialing Ten Digit Screening service subscribers with the ability to distribute calls to different locations based on the specific hour of day a call is placed. Customers may make selections in 15 minute increments but must account for a complete 24 hour period.

2. Day of Week Routing

Day of Week Routing allows CCFLC SWA 8XX Toll Free Dialing Ten Digit Screening service subscribers to distribute calls to a number of answering locations based on the day of week a call is placed. Calls can be directed for a single day or in groups of days. However, the customer's specification must account for a seven day week.

3. Specific Date Routing

Specific Date Routing provides CCFLC SWA 8XX Toll Free Dialing Ten Digit Screening service subscribers the capability of distributing 800 calls to different locations based on the specific date in the year the call is placed.

SECTION 13 - ADDITIONAL ENGINEERING, ADDITIONAL LABOR AND
MISCELLANEOUS CHARGES (CONT'D)

13.3 Miscellaneous Services (Cont'd)

13.3.12 CCFLC 8XX Toll Free Dialing Number Administration Service (Cont'd)

C. Call Handling and Destination Features (Cont'd)

4. Allocation by Percentage

This feature provides CCFLC SWA 8XX Toll Free Dialing Ten Digit Screening service subscribers the ability to distribute CCFLC SWA 8XX Toll Free Dialing Ten Digit Screening service calls to more than one location, by specifying the percentage of calls to be directed to each location. Distribution percentages may be selected in gradations as small as 1 percent for a total of 100 percent. This feature also provides CCFLC SWA 8XX Toll Free Dialing Ten Digit Screening service subscribers the ability to select multiple carriers to transport their 800 traffic based on percentage allocations.

5. Ten Digit Node Routing

Ten Digit Node routing provides CCFLC SWA 8XX Toll Free Dialing Ten Digit Screening service subscribers the capability to route calls to preselected destinations based on the originating ten digit number(s). 800 calls from other than the preselected originating ten digit numbers will be blocked. This feature is available only where 10 digit ANI is provided.

D. CCFLC SWA 8XX Toll Free Dialing Number Administration Service Charges

1. 800 Number Reservation Charge

A nonrecurring charge applies for the reservation of an 800 Number. There are two levels of nonrecurring charges. A nonrecurring 800 Number Reservation Charge applies for the first reserved 800 number submitted on an Access Service Request (ASR), and a separate nonrecurring 800 Number Reservation Charge applies for each additional reserved 800 number submitted on the same ASR.

SECTION 13 - ADDITIONAL ENGINEERING, ADDITIONAL LABOR AND
MISCELLANEOUS CHARGES (CONT'D)

13.3 Miscellaneous Services (Cont'd)

13.3.12 CCFLC 8XX Toll Free Dialing Number Administration Service (Cont'd)

D. CCFLC SWA 8XX Toll Free Dialing Number Administration Service Charges
(Cont'd)

2. 800 Number Establishment Charge

800 numbers can be established for use with 800 number delivery or POTS number delivery. There are two levels of nonrecurring charges applicable to each. A nonrecurring 800 Number Establishment Charge applies for the first 800 number submitted on an Access Service Request (ASR), and a separate nonrecurring 800 Number Establishment Charge applies for each additional 800 number submitted on the same ASR.

3. CCFLC 8XX Toll Free Dialing Number Administration Service Change Charge

An 800 Number Service Change Charge applies for changes associated with an 800 number, subsequent to the initial establishment of that 800 number. There are two levels of nonrecurring charges. A nonrecurring 800 Number Service Change Charge applies for the first 800 Number for which associated changes are being made affecting that number, submitted on an ASR. A separate nonrecurring 800 Number Service Change Charge applies for each additional 800 Number for which associated changes are being made affecting that number, submitted on the same ASR.

4. Customized Area of Service

Nonrecurring charges apply for the provision of the Customized Area of Service option. The charges are applied on a First and Additional basis. First and additional installation charge treatment is applied to Customized Area of Service requests submitted on the same or related ASRs. Related ASRs must be received on the same business day.

SECTION 13 - ADDITIONAL ENGINEERING, ADDITIONAL LABOR AND
MISCELLANEOUS CHARGES (CONT'D)

13.3 Miscellaneous Services (Cont'd)

13.3.12 CCFLC 8XX Toll Free Dialing Number Administration Service (Cont'd)

D. CCFLC SWA 8XX Toll Free Dialing Number Administration Service Charges
(Cont'd)

5. Multiple Carrier Routing

Nonrecurring charges apply for the provision of the Multiple Carrier Routing option. The charges are applied on a First and Additional basis. First and additional installation charge treatment is applied to Multiple Carrier requests submitted on the same or related ASRs. Related ASRs must be received on the same business day.

6. Call Handling and Destination Features

A nonrecurring charge is applicable for the provision of any combination of the Call Handling and Destination Features defined in C. preceding, requested on the same Access Service Request.

7. Rates and Charges

	Nonrecurring Charge	
	<u>First</u>	<u>Additional</u>
(a) Reservation Charge Per 800 number reserved	\$28.50	\$0.50
(b) Establishment Charge Per 800 number established with 800 number delivery	\$59.50	\$1.50
(c) Establishment Charge Per 800 number established with POTS number delivery	\$59.50	\$1.50
(d) Customized Area of Service Per 800 Number	\$3.00	\$1.50
(e) Multiple InterLATA Carrier Routing Per carrier requested, per 800 number	\$3.50	\$2.00
(f) Change Charge Per Request	\$43.50	\$0.50
(g) Call Handling and Destination Features Per 800 Number	\$3.00	\$3.00

SECTION 13 - ADDITIONAL ENGINEERING, ADDITIONAL LABOR AND
MISCELLANEOUS CHARGES (CONT'D)

13.3 Miscellaneous Services (Cont'd)

13.3.13 CCFLC Billing Name and Address for ANI Service

A. CCFLC Billing Name and Address for ANI Service

1. CCFLC Billing Name and Address for ANI service provides for end user billing name and address and associated information. It is available to ICs such as an Enhanced Service Provider (ESP), Operator Service Provider (OSP), Interexchange Carrier (IC) and any other provider of telecommunications services.
2. CCFLC Billing Name and Address for ANI service is available on those calls for which the ANI of the calling or billed party is provided to the Company. This includes 101XXXX dialed calls, calling card calls and collect and third party billed calls. Information provided consists of the following:
 - a. Billing name and street address of the subscriber (BNA)
 - b. Billing Telephone Number (BTN)
 - c. Working Telephone Number (WTN)
 - d. Terminal Number (TER)
 - e. IC Type Indicator (CTI)
 - f. IC Code
3. CCFLC Billing Name and Address for ANI service is ordered under terms and conditions as set forth in 5.2.1 preceding in order to establish an account. For calling card calls and collect and third party billed calls, CCFLC Billing Name and Address for ANI service is not available on accounts of nonpublished/nonlisted end users who, by request to the Company (which request may be submitted at any time), have specified that such information not be released.
4. The IC may deem it necessary to request the Company resend the CCFLC Billing Name and Address for ANI information. Such a request, when not the result of Company error, will be subject to the same rates and charges as the original request.

SECTION 13 - ADDITIONAL ENGINEERING, ADDITIONAL LABOR AND
MISCELLANEOUS CHARGES (CONT'D)

13.3 Miscellaneous Services (Cont'd)

13.3.13 CCFLC Billing Name and Address for ANI Service (Cont'd)

A. CCFLC Billing Name and Address for ANI Service (Cont'd)

5. Restrictions on use of CCFLC Billing Name and Address for ANI information:

- a. The IC, or its authorized billing and collection agent, agrees not to publish any CCFLC Billing Name and Address for ANI information provided and to use such information for the sole purpose of rendering bills for its provision of services to its ICs.
- b. The IC, or its authorized billing and collection agent, may not permit anyone but its duly authorized employees to inspect or use CCFLC Billing Name and Address for ANI information.
- c. The IC, or its authorized billing and collection agent, may not use the CCFLC Billing Name and Address for ANI information to publish and distribute, in any form, lists of the subscribers provided.
- d. The IC, or its authorized billing and collection agent, shall not reproduce in any way copies of the BNA information furnished, other than as required internally for the rendering of bills for services provided.

6. The Company will provide CCFLC Billing Name and Address for ANI data no later than ten (10) business days from the date of receipt of the IC's request. Availability of data may be delayed if errors exist in the request received from the IC.

B. Rates and Charges

1. CCFLC Billing Name and Address for ANI

(a) Per Record	Nonrecurring <u>Charge</u> \$0.20
----------------	---

SECTION 13 - ADDITIONAL ENGINEERING, ADDITIONAL LABOR AND
MISCELLANEOUS CHARGES (CONT'D)

13.3 Miscellaneous Services (Cont'd)

13.3.14 Physical Access Collocation Cross-Connect Service

A. General Description

1. Physical Access Collocation Cross-Connects provide a one to one dedicated transmission path between the ordering customer's tariffed service offerings or transport equipment located in the Telephone Company Central Office and the ordering customer's own physical collocation arrangement or another telecommunication carrier's (collocator's) physical collocation arrangement in the same Telephone Company Central Office for all of the access services listed below, except the following:
 - a. Exchange Access ATM service (described in 21.3 of this Tariff).
 - b. CCFLC Metro Ethernet service (described in 7.2.18 of this Tariff).

The above-listed access services may only be requested between the ordering customer's tariffed service offerings or transport equipment located in the Telephone Company Central Office and the ordering customer's own physical collocation arrangement in the same Telephone Company Central Office.

2. Standards for performance monitoring of services which interconnect to the collocation arrangement will be driven by the particular service type and service specific requirements. The Telephone Company's obligation for monitoring ends at the demarcation point.
3. Physical Access Collocation Cross-Connects are flat rate, non-distance sensitive charges and will be applied on a per Cross-connect ordered basis.
4. Physical Access Collocation Cross-Connects will be ordered on the same Access Service Request (ASR) as the service being cross-connected. All ASRs must be complete and accurate before the Company will initiate the provisioning process.

SECTION 13 - ADDITIONAL ENGINEERING, ADDITIONAL LABOR AND
MISCELLANEOUS CHARGES (CONT'D)

13.3 Miscellaneous Services (Cont'd)

13.3.14 Physical Access Collocation Cross-Connect Service

A. General Description

1. Physical Access Collocation Cross-Connects provide a one to one dedicated transmission path between the ordering customer's tariffed service offerings or transport equipment located in the Telephone Company Central Office and the ordering customer's own physical collocation arrangement or another telecommunication carrier's (collocator's) physical collocation arrangement in the same Telephone Company Central Office for all of the access services listed below, except the following:
 - a. Exchange Access ATM service (described in 21.3 of this Tariff).
 - b. CCFLC Metro Ethernet service (described in 7.2.18 of this Tariff).

The above-listed access services may only be requested between the ordering customer's tariffed service offerings or transport equipment located in the Telephone Company Central Office and the ordering customer's own physical collocation arrangement in the same Telephone Company Central Office.

2. Standards for performance monitoring of services which interconnect to the collocation arrangement will be driven by the particular service type and service specific requirements. The Telephone Company's obligation for monitoring ends at the demarcation point.
3. Physical Access Collocation Cross-Connects are flat rate, non-distance sensitive charges and will be applied on a per Cross-connect ordered basis.
4. Physical Access Collocation Cross-Connects will be ordered on the same Access Service Request (ASR) as the service being cross-connected. All ASRs must be complete and accurate before the Company will initiate the provisioning process.

SECTION 13 - ADDITIONAL ENGINEERING, ADDITIONAL LABOR AND
MISCELLANEOUS CHARGES (CONT'D)

13.3 Miscellaneous Services (Cont'd)

13.3.14 Physical Access Collocation Cross-Connect Service (Cont'd)

A. General Description (Cont'd)

5. Nonrecurring charges are applicable for Physical Access Collocation Cross-Connect service.
6. The collocator may cross-connect at the DS1 level with the following Telephone Company access services:
 - a. Local Channels (described in 7.1.2.A of this Tariff).
 - b. Optional Features and Functions (described in 7.1.2.C of this Tariff)
7. The collocator may cross-connect at the DS I level with the following Telephone Company access services:
 - a. DS1 Local and Interoffice Channels (described in 7.1.2 of this Tariff).
 - b. DS1 Basic Channelization System (described in 7.1.2 of this Tariff).
 - c. SPA Customer Reconfiguration Port in a Digital Cross-Connect System (described in 7.4.12 of this Tariff).
 - d. Shared Use Analog and Digital High Capacity (a.k.a. CCFLC SPA High Capacity) services (described in 7.4.12 of this Tariff).
 - e. Dedicated Ring services (described in 7.2.16 of this Tariff).
 - f. CCFLC SWA service (described in 6.1.3 of this Tariff).
 - g. SPA Managed Shared Ring Network (described in 7.4.16 of this Tariff).
 - h. Exchange Access ATM service (described in 21.3 of this Tariff).

SECTION 13 - ADDITIONAL ENGINEERING, ADDITIONAL LABOR AND
MISCELLANEOUS CHARGES (CONT'D)

13.3 Miscellaneous Services (Cont'd)

13.3.14 Physical Access Collocation Cross-Connect Service (Cont'd)

A. General Description (Cont'd)

8. The collocator may cross-connect at the DS3 level with the following Telephone Company access services:
 - a. 28 DS1 Channelization System (described in 7.1.2 of this Tariff)
 - b. CCFLC SPA Customer Reconfiguration Port in a Digital Cross-Connect System (described in 7.4.12 of this Tariff)
 - c. Shared Use Analog and Digital High Capacity (a.k.a. CCFLC SPA High Capacity) services (described in 7.4.8 of this Tariff)
 - d. Dedicated Ring services (described in 7.2.16 of this Tariff).
 - e. CCFLC SWA service (described in 6.1.3 of this Tariff).
 - f. SPA Managed Shared Ring Network (described in 7.4.16 of this Tariff).
 - g. Exchange Access ATM service (described in 21.3 of this Tariff).
9. The collocator may cross-connect at the fiber level with the following Telephone Company access services:
 - a. Dedicated Ring service rate categories (described in 7.1.2.A) of this Tariff).
 - b. SPA Managed Shared Ring Network (described in 7.4.16 of this Tariff).
 - c. Exchange Access ATM service (described in 21.3 of this Tariff).
 - d. CCFLC Metro Ethernet service (described in 7.2.18 of this Tariff).
10. The collocator may cross-connect at the Ethernet Cat-5 Cable level with the following Telephone Company access services:
 - a. CCFLC Metro Ethernet service (as described in 7.2.18 of this Tariff).
 - b. SPA Dedicated Ring service rate categories (described in 7.1.2.A of this Tariff).

SECTION 13 - ADDITIONAL ENGINEERING, ADDITIONAL LABOR AND
MISCELLANEOUS CHARGES (CONT'D)

13.3 Miscellaneous Services (Cont'd)

13.3.14 Physical Access Collocation Cross-Connect Service (Cont'd)

B. Rates and Charges

1. Special Access (a.k.a. CCFLC SPA), per Cross-Connect

	Nonrecurring <u>Charge</u>	Monthly <u>Rate</u>
(a) 2-Wire	\$33.82	\$0.1566
(b) 4-Wire	\$67.64	\$0.3132
(c) Cat-5 Cable	\$135.28	\$9.13
(d) DS1	\$155.00	\$2.65
(e) DS3	\$155.00	\$27.83
(f) 2-Fiber	\$200.00	\$10.25
(g) 4-Fiber	\$400.00	\$20.50

2. Switched Access (a.k.a. CCFLC SPA), per Cross-Connect

	Nonrecurring <u>Charge</u>	Monthly <u>Rate</u>
(a) 2-Wire	\$33.82	\$0.1566
(b) 4-Wire	\$67.64	\$0.3132
(d) DS1	\$155.00	\$2.65
(e) DS3	\$155.00	\$27.83
(f) 2-Fiber	\$200.00	\$10.25
(g) 4-Fiber	\$400.00	\$20.50

SECTION 13 - ADDITIONAL ENGINEERING, ADDITIONAL LABOR AND
MISCELLANEOUS CHARGES (CONT'D)

13.3 Miscellaneous Services (Cont'd)

13.3.15 Virtual Access Collocation Cross-Connect Service

A. General Description

1. Virtual Access Collocation Cross-Connects provide a one to one dedicated transmission path between the ordering customer's tariffed service offerings or transport equipment located in the Telephone Company Central Office and the ordering customer's own virtual collocation arrangement or another telecommunication carrier's (collocator's) virtual collocation arrangement in the same Telephone Company Central Office for all of the access services listed below, except the following:
 - a. Exchange Access ATM service (described in 21.3 of this Tariff).
 - b. CCFLC Metro Ethernet service (described in 7.2.18 of this Tariff).

The above list of access services may only be requested between the ordering customer's tariffed service offerings or transport equipment located in the Telephone Company Central Office and the ordering customer's own physical collocation arrangement in the same Telephone Company Central Office.

2. A monthly recurring charge applies for the Virtual Access Collocation Cross Connect element that consists of the Cross connect panel, cable racks, bay framework, jumpers and other supporting hardware.
3. The Virtual Access Collocation Cross-Connect element is designated as CCFLC Switched Access (SWA) or Special Access (SPA), depending on the type of service to which it cross connects.
4. Virtual Access Collocation Cross-Connect service is flat rate, non-distance sensitive charges and will be applied on a per cross connect ordered basis.

SECTION 13 - ADDITIONAL ENGINEERING, ADDITIONAL LABOR AND
MISCELLANEOUS CHARGES (CONT'D)

13.3 Miscellaneous Services (Cont'd)

13.3.15 Virtual Access Collocation Cross-Connect Service (Cont'd)

A. General Description (Cont'd)

5. Standards for performance monitoring of services which interconnect to the collocation arrangement will be driven by the particular service type and service specific requirements. The Telephone Company's obligation for monitoring ends at the demarcation point.
6. Virtual Access Collocation Cross-Connects will be ordered on the same Access Service Request (ASR) as the service being cross connected. All ASRs must be complete and accurate before the Company will initiate the provisioning process.
7. The collocator may cross connect at the DS1 level with the following Telephone Company access services:
 - a. Local Channels (described in 7.1.2.A of this Tariff).
 - b. Optional Features and Functions (described in 7.1.2.C of this Tariff).
8. The collocator may cross-connect at the DS I level with the following Telephone Company access services:
 - a. DS1 Local and Interoffice Channels (described in 7.1.2 of this Tariff).
 - b. DS1 Basic Channelization System (described in 7.1.2 of this Tariff).
 - c. CCFLC SPA Customer Reconfiguration Port in a Digital Cross-Connect System (described in E7.4.12 of this Tariff).
 - d. Shared Use Analog and Digital High Capacity (a.k.a. CCFLC SPA High Capacity) services (described in 7.4.8 of this Tariff).
 - e. Dedicated Ring) services (described in 7.2.16 of this Tariff).
 - f. CCFLC SWA service (described in 21.1 of this Tariff).
 - g. SPA Managed Shared Ring Network) (described in 7.4.16 of this Tariff).
 - h. Exchange Access ATM service (described in 21.3 of this Tariff).

SECTION 13 - ADDITIONAL ENGINEERING, ADDITIONAL LABOR AND
MISCELLANEOUS CHARGES (CONT'D)

13.3 Miscellaneous Services (Cont'd)

13.3.15 Virtual Access Collocation Cross-Connect Service (Cont'd)

A. General Description (Cont'd)

9. The collocator may cross-connect at the DS3 level with the following Telephone Company access services:
 - a. 28 DS1 Channelization System (described in 7.1.2 of this Tariff).
 - b. CCFLC SPA Customer Reconfiguration Port in a Digital Cross-Connect System (described in 7.4.12 of this Tariff).
 - c. Shared Use Analog and Digital High Capacity (a.k.a. CCFLC SPA High Capacity) services (described in 7.4.8 of this Tariff).
 - d. Dedicated Ring services (described in 7.2.16 of this Tariff).
 - e. CCFLC SWA service (described in 6.1.3 of this Tariff).
 - f. SPA Managed Shared Ring Network) (described in 7.4.16 of this Tariff).
 - g. Exchange Access ATM service (described in 21.3 of this Tariff)
10. The collocator may cross-connect at the fiber level with the following Telephone Company access services:
 - a. Dedicated Ring service rate categories (described in 7.1.2.1) of this Tariff).
 - b. SPA Managed Shared Ring Network) (described in 7.4.16 of this Tariff).
 - c. Exchange Access ATM service (described in 21.3 of this Tariff).
 - d. CCFLC Metro Ethernet service (described in 7.2.18 of this Tariff).
11. The collocator may cross-connect at the Ethernet Cat-5 Cable level with the following Telephone Company access services:
 - a. CCFLC Metro Ethernet service (described in 7.2.18 of this Tariff).
 - b. SPA Dedicated Ring service rate categories (described in 7.1.2.1) of this Tariff).

SECTION 13 - ADDITIONAL ENGINEERING, ADDITIONAL LABOR AND
MISCELLANEOUS CHARGES (CONT'D)

13.3 Miscellaneous Services (Cont'd)

13.3.15 Virtual Access Collocation Cross-Connect Service (Cont'd)

B. Rates and Charges

1. Special Access (a.k.a. CCFLC SPA), per Cross-Connect

	Nonrecurring <u>Charge</u>	Monthly <u>Rate</u>
(a) 2-Wire	\$24.68	\$0.309
(b) 4-Wire	\$33.67	\$0.619
(c) Cat-5 Cable	\$135.28	\$9.13
(d) DS1	\$155.00	\$7.50
(e) DS3	\$151.90	\$56.25
(f) 2-Fiber	\$41.94	\$6.71
(g) 4-Fiber	\$64.53	\$6.71

2. Switched Access (a.k.a. CCFLC SWA), per Cross--Connect

	Nonrecurring <u>Charge</u>	Monthly <u>Rate</u>
(a) 2-Wire	\$24.68	\$0.309
(b) 4-Wire	\$33.67	\$0.619
(d) DS1	\$155.00	\$7.50
(e) DS3	\$151.90	\$56.25
(f) 2-Fiber	\$41.94	\$6.71
(g) 4-Fiber	\$64.53	\$6.71

SECTION 14 – SPECIAL CONSTRUCTION

TABLE OF CONTENTS

14.1	Application	
14.1.1	General	
14.2	Regulations	
14.2.1	Filing of Charges	
14.2.2	Ownership of Facilities	
14.2.3	Interval to Provide Facilities	
14.2.4	Special Construction Involving Both Interstate and Intrastate Facilities	
14.2.5	Payments for Special Construction	
14.2.6	Credit Allowance for Service Interruption	
14.2.7	Liabilities and Charges for Special Construction	
14.2.8	Deferral of Start of Service	
14.2.9	Definitions	
14.3	Rates and Charges	

SECTION 14 – SPECIAL CONSTRUCTION (CONT'D.)

14. Special Construction

14.1 Application

14.1.1 General

- A. This Section contains regulations, rates, charges and liabilities applicable for the special construction of facilities provided by the Company, which are used to provide intrastate services offered under this Tariff.
- B. When special construction of facilities is required, the provisions of this section apply in addition to all regulations, rates and charges set forth in other sections of this Tariff.
- C. The term "customer", as used in this Tariff section only, refers to the party ordering the facilities that require Special Construction. A customer may be the IC or the End User.

14.2 Regulations

14.2.1 Filing of Charges

- A. Rates, charges and liabilities for special construction to provide facilities will be filed in 14.3 following, if required.

14.2.2 Ownership of Facilities

The Company, providing specially constructed facilities under the provisions of this Tariff, retains ownership of all such facilities.

14.2.3 Interval to Provide Facilities

Based on available information and the type of service ordered, the Company will establish a completion date for the specially constructed facilities. If the scheduled completion date cannot be met due to circumstances beyond the control of the Company, a new completion date will be established and the customer will be notified.

SECTION 14 – SPECIAL CONSTRUCTION (CONT'D.)**14. Special Construction (Cont'd.)****14.2 Regulations (Cont'd.)****14.2.4 Special Construction Involving Both Interstate and Intrastate Facilities**

When special construction involves facilities to be used to provide both interstate and intrastate service, charges for the portion of the construction used to provide intrastate service shall be in accordance with this Tariff. Charges for the portion of the construction used to provide interstate service shall be in accordance with the appropriate FCC Tariff.

14.2.5 Payments for Special Construction**A. Payment of Charges**

All bills associated with special construction charges are due in accordance with the appropriate rate regulations in the Tariff under which service is being provided. Regulations set forth in 2.4.1 shall apply.

B. Start/End of Billing

Billing of recurring charges for specially constructed facilities starts on the day after the facilities are made available for use. Billing accrues through and includes the day that the specially constructed facilities are discontinued.

14.2.6 Credit Allowance for Service Interruptions

In the event of a service interruption involving a specially constructed facility, the customer shall receive a recurring monthly charge credit in accordance with the credit allowance provisions in 2.4.4 of this Tariff.

SECTION 14 – SPECIAL CONSTRUCTION (CONT'D.)**14. Special Construction (Cont'd.)****14.2 Regulations (Cont'd.)****14.2.7 Liabilities and Charges for Special Construction****A. General**

This section describes the various charges and liabilities that may apply when the company provides special construction of facilities in accordance with an order for service. The customer must provide the Company with written approval of all liabilities and charges prior to the start of construction. If more than one condition requiring special construction is involved, charges for each condition apply (see B. following).

B. Conditions Requiring Special Construction

Special construction is required when 1) facilities are not available to meet an order for service, and 2) the Company constructs facilities, and 3) one or more of the following conditions exist:

1. The Company has no other planned use for the facilities requested;
2. The customer requests that service be furnished using a type of facility, or via a route, other than that which the Company would normally utilize in furnishing the requested service;
3. The customer requests the construction of more facilities than would normally be required to satisfy an order;
4. The customer requests that construction be advanced, resulting in added cost to the Company.

C. Development of Liabilities and Charges

Special Construction charges and liabilities will be developed based on estimated costs, except when actual costs are requested in writing prior to the start of special construction. In order to meet a scheduled service date when actual costs are requested, an initial special construction case may be prepared based on estimated costs. Such case will be revised when actual costs are available.

SECTION 14 – SPECIAL CONSTRUCTION (CONT'D.)**14. Special Construction (Cont'd.)****14.2 Regulations (Cont'd.)****14.2.7 Liabilities and Charges for Special Construction (Cont'd.)**

D. Types of Liabilities and Charges - Depending on the specifics associated with each individual case, one or more of the following special construction charges and/or liabilities may be applicable.

1. Nonrecurring Charge for Special Construction of Facilities for Use for More Than One Month

When special construction of a facility is requested for use for more than one month, a nonrecurring charge will apply. This charge will be composed of several components as described following based on criteria listed in 14.2.7.B.

a. Case Preparation Charge Component

This component will always apply and covers the cost of administrative expenses associated with preparing a special construction case and making the associated Tariff filing.

b. Expediting Charge Component

This component may apply when a customer requests completion of the special construction on an expedited basis. The charge equals the difference in estimated cost between expedited and non-expedited construction.

c. Nonrecoverable Cost Component

This component may apply to specially constructed facilities for use for more than one month, and is equal to the present worth of the capital costs of the nonrecoverable facilities installed to provide service and will be calculated based on the average life of the facility.

d. Advancement Charge Component

This component may apply when the customer requests that planned construction be started and completed earlier than scheduled. The charge equals the difference in estimate cost between advanced and planned construction.

SECTION 14 – SPECIAL CONSTRUCTION (CONT'D.)

14. Special Construction (Cont'd.)

14.2 Regulations (Cont'd.)

14.2.7 Liabilities and Charges for Special Construction (Cont'd.)

D. Types of Liabilities and Charges (Cont'd.)

1. Nonrecurring Charge for Special Construction of Facilities for Use for More Than One Month (Cont'd.)

e. Lease Charge Component

This component may apply when the Company leases equipment in order to meet service requirements. The amount is equal to the net added cost to the Company caused by the lease.

2. Nonrecurring Charge for Special Construction of Facilities for Use for Less Than One Month

Install the specially constructed facilities will apply, i.e., circuit engineering, shipping of equipment, equipment installation, line up, space rental, equipment removal, etc. An optional payment arrangement, as described in E. following will not apply for specially constructed facilities placed for use for less than one month.

3. Cancellation Charge

If a service order with which special construction is associated is cancelled prior to the start of service, a cancellation charge will apply. The charge will include all nonrecoverable costs incurred by the Company in association with the special construction up to and including the time of cancellation.

SECTION 14 – SPECIAL CONSTRUCTION (CONT'D.)**14. Special Construction (Cont'd.)****14.2 Regulations (Cont'd.)****14.2.7 Liabilities and Charges for Special Construction (Cont'd.)****E. Optional Payment Arrangement****1. Optional Payment Arrangement for Nonrecurring Charge**

As an alternative to a lump sum payment of the entire nonrecurring charges as specified in D. preceding, an optional payment arrangement may be elected by the customer. This arrangement provides for amortizing all or a portion of the nonrecurring charge over a payment period, to be specified by the customer, not to exceed ten years, with any portion of the nonrecurring charge which is not amortized due and payable in an up-front lump sum amount. If the customer discontinues use of the specially constructed facilities prior to the end of the chosen payment period, the unpaid principle shall become due and payable in a lump sum. The Company may reasonably require that the customer provide security for payment of the amount amortized, as a precondition to the customer's use of the Optional Payment Arrangement.

14.2.8 Deferral of Start of Service

The Company may be requested to defer the start of service which will use specially constructed facilities subject to the provisions as set forth in the service Tariff under which the service is being provided. Requests for special construction deferral must be in writing and are subject to the following regulations:

SECTION 14 – SPECIAL CONSTRUCTION (CONT'D.)**14. Special Construction (Cont'd.)****14.2 Regulations (Cont'd.)****14.2.8 Deferral of Start of Service (Cont'd.)****A. Construction Has Not Begun**

If the Company has not incurred any installation costs before receiving a request for deferral, no charge applies.

B. Construction Has Begun

If the construction of facilities has begun before the Company receives a request for deferral, charges will vary as follows:

1. All Services Are Deferred

When all services which will use specially constructed facilities are deferred, a charge based on the costs incurred by the Company during each month of the deferral will apply. Those costs include the recurring costs for that portion of the facilities already completed and any other costs associated with the deferral. The quotation charge and cost of any components of the nonrecurring charge which have been completed at the time of deferral will also apply.

2. Some Services Are Deferred

When some services which will use the specially constructed facilities are deferred, the special construction case will be completed and all special construction charges will apply.

C. Construction Complete

If the construction of facilities has been completed before the Company receives a request for deferral, all special construction charges will apply.

SECTION 14 – SPECIAL CONSTRUCTION (CONT'D.)

14. Special Construction (Cont'd.)

14.2 Regulations (Cont'd.)

14.2.9 Definitions

Actual Cost - The term "Actual Cost" denotes all costs charged against a specific case of special construction, including any appropriate taxes.

Average Account Life - The term "Average Account Life" denotes the depreciation life prescribed by the Public Service Commission for each class of telephone plant.

Estimated Cost - The term "Estimated Cost" denotes all estimated costs that will be incurred in providing a specific case of special construction, including any appropriate taxes.

Facilities - The term "Facilities" denotes any cable, poles, conduit, microwave or carrier equipment, wire center distribution frames, central office switching equipment, etc., utilized to provide intrastate services offered under the tariffs referenced by this Tariff.

Initial Liability Period - The term "Initial Liability Period" denotes the initial planning period during which the customer expects to place specially constructed facilities in service.

Installed Cost - The term "Installed Cost" denotes the total investment (estimated or actual) required by the Company to provide specially constructed facilities.

Net Salvage - The term "Net Salvage" denotes the estimated scrap, sale, or trade-in value, less the estimated cost of removal. Cost of removal includes the costs of demolishing, tearing down, or otherwise disposing of the material and any other applicable costs. Since the cost of removal may exceed salvage value, net salvage may be negative.

SECTION 14 – SPECIAL CONSTRUCTION (CONT'D.)

14. Special Construction (Cont'd.)

14.2 Regulations (Cont'd.)

14.2.9 Definitions (Cont'd.)

Nonrecoverable Cost - The term "Nonrecoverable Cost" denotes the cost of specially constructed facilities for an individual customer for which the Company has no other planned use should the service be terminated.

Normal Construction - The term "Normal Construction" denotes all facilities the Company would normally use to provide service in the absence of a requirement for special construction.

Normal Cost - The term "Normal Cost" denotes the estimated cost to provide services using normal construction.

Permanent Facilities - The term "Permanent Facilities" denotes facilities providing service for one month or more.

14.3 Rates and Charges

This section contains special construction charges to provide facilities constructed in accordance with this Tariff as required. Charges are developed on an individual case basis.

SECTION 15 - RESERVED FOR FUTURE USE

TABLE OF CONTENTS

SECTION 15 - RESERVED FOR FUTURE USE

SECTION 16 - ACCESS SERVICE FOR LOCAL EXCHANGE COMPANIES COMPLETION OF
INTRALATA-INTERCOMPANY LONG DISTANCE MTS AND WATS CALLS

TABLE OF CONTENTS

16.1	General
16.2	General Regulations
16.3	Rate Regulations
16.4	Rates and Charges

**SECTION 16 - ACCESS SERVICE FOR LOCAL EXCHANGE COMPANIES COMPLETION OF
INTRALATA-INTERCOMPANY LONG DISTANCE MTS AND WATS CALLS (CONT'D)****16.1 General**

This section of the Access Service Tariff sets forth the procedures and charges for Local Exchange Companies (LECs) to render payment to other LECs for intraLATA-intercompany Long Distance Message Telecommunications Service (LDMTS) and Wide Area Telecommunications Service (WATS) calls that originate in one LEC's (originating LEC) certificated operating area and complete in another LEC's (terminating LEC) certificated operating area.

These procedures and charges are specific to the provision of the intercompany toll network in which facilities are jointly planned by the participating LECs based on the total usage and transport facilities of each LEC. Facilities that are ordered independently by any individual LEC from another LEC to accommodate a customer-specific request for service are done so through the general offerings made in this Access Service Tariff or the General Subscriber Price List as follows:

CCFLC SWA Service is provided for in Section 6, Dedicated Access Service is provided for in Section 7 of the Company's Access Service Tariff. Provisions for ordering; special routing; specialized services or arrangements; and installation, repair and testing are provided for in Sections 5, 11, 12 and 13 respectively.

16.2 General Regulations

- A. The originating LEC shall be responsible for recording and rating the terminating minutes of use associated with each originated intraLATA-intercompany LDMTS/WATS call based on the terminating LEC's Access Service Tariff rates.
- B. The originating LEC will render payment to the terminating LEC and any intermediate LEC which provides switching and interoffice transport facilities for the completion of an intraLATA-intercompany LDMTS or WATS call¹.

Note 1: Intermediate companies may include those sharing in joint originating or terminating switching and/or interoffice transport facilities but not serving the originating or terminating customer.

SECTION 16 - ACCESS SERVICE FOR LOCAL EXCHANGE COMPANIES COMPLETION OF
INTRALATA-INTERCOMPANY LONG DISTANCE MTS AND WATS CALLS (CONT'D)

16.2 General Regulations (Cont'd)

- C. Any intermediate LEC which provides switched transport facilities to or from the Access Tandem switch shall receive payment from the originating LEC or terminating LEC¹.
- D. For CCFLC SWA 8XX Toll Free Dialing Ten Digit Screening services calls the originating LEC will be paid originating CCFLC SWA charges by the terminating LEC based upon the originating LEC Access Service Tariff rates. The terminating LEC will render payment to any intermediate LEC which provides switching and interoffice transport facilities for the completion of CCFLC SWA 8XX Toll Free Dialing Ten Digit Screening service calls¹.
- E. The originating and terminating LEC shall determine the terminating busy hour minutes of capacity necessary to complete the intraLATA-intercompany LDMTS and WATS calls.
- F. When regulations from preceding sections are determined to apply as set forth in G and I following, where the term IC or Interexchange Carrier is written, substitute LEC to read as one and the same.
- G. The general regulations set forth in Sections 1, 2, 3, 4, 6.7.19, 10, and 14 apply to LEC originating and/or terminating intraLATA-intercompany LDMTS and WATS calls except for those listed in H. following.

Note 1: Intermediate companies may include those sharing in joint originating or terminating switching and/or interoffice transport facilities but not serving the originating or terminating customer.

SECTION 16 - ACCESS SERVICE FOR LOCAL EXCHANGE COMPANIES COMPLETION OF
INTRALATA-INTERCOMPANY LONG DISTANCE MTS AND WATS CALLS (CONT'D)

16.2 General Regulations (Cont'd)

- H. The following tariff sections do not apply to LECs in the provision of intraLATA LDMTS/WATS services: 2.1.5, 2.1.9, 2.1.13, 2.3.6, 2.3.14, 2.3.15, 2.4.1.A, 2.4.1.D, 2.4.1.G, 2.4.1.H, 2.4.2, 2.4.3, 2.4.4, 2.4.5, 2.4.8, 2.7, 3.1.D, 3.3.A, 3.3.B, 3.3.C, 3.3.D, 3.3.E, 3.3.F, 3.4.A, 3.4.B, 3.4.C, 3.4.D, 3.4.F, 3.4.G, 3.4.H, 3.4.I, 3.6, 3.7.C, 3.7.D, 3.7.E, 3.7.F, 3.7.G, 3.8.A, 4.1.B, 4.1.C, 4.3, 4.4, 4.5.B, 4.5.D, 4.6.A, 5, 6, 7, 11, 12, 13.
- I. The services provided under this Tariff will include outside distribution network facilities. The facilities will be terminated at a place agreed upon by both the originating and terminating LECs.
- J. The originating LEC shall maintain and retain for a minimum of one year, complete, detailed and accurate records, workpapers and backup documentation in form and substance to evidence the payment rendered data provided to the terminating LEC. All of the records, workpapers and backup documentation shall be made available during normal business hours, at the location named in the report, upon reasonable request by the terminating LEC in order to permit a review by the terminating LEC Auditor or outside auditor under contract to the terminating LEC or an auditor of a state regulatory commission.

16.3 Rate Regulations

- A. The following rate categories apply to Access Service provided for completion of intraLATA-intercompany LDMTS and WATS calls which are independent of those for the preceding tariff sections. They are:
1. Carrier Common Line Service, which provides for the use of LEC common subscriber plant for access to end users, and is rated per access minute, as shown in 16.4.A. following.
 2. Carrier Access Capacity, which is the busy hour minutes of capacity provided by the terminating LEC, is rated based on the busy hour minutes of capacity as of the billing date each month, as shown in 16.4.B following.
 3. CCFLC SWA service, which provides for use of LEC common terminating, switching, and interoffice transport facilities, and is shown as a per access minute rate or a monthly flat rate, dependent upon the use of the LEC's interoffice transport facilities as well as the LEC's choice of billing and rendering payments to another LEC. Descriptions of these rate elements are in D. following.

SECTION 16 - ACCESS SERVICE FOR LOCAL EXCHANGE COMPANIES COMPLETION OF
INTRALATA-INTERCOMPANY LONG DISTANCE MTS AND WATS CALLS (CONT'D)

16.3 Rate Regulations (Cont'd.)

- B. On collect, third number billed, and calling card calls not billed by the originating LEC, a charge for Bill Processing Service will be applicable. The rate for Bill Processing Service will be assessed through intercompany contractual agreements.
- C. The Access Tandem Switching rate category is designed to compensate an intermediate LEC for use of its Access Tandem switch for the completion of an intraLATA-intercompany LDMTS/WATS call. The rate shown in 16.C.4 following will be paid by the originating LEC to each intermediate LEC whose Access Tandem switch is used for the intermediate transport of an intraLATA-intercompany LDMTS or WATS call. Access Tandem Switching provides for the function of switching traffic to or from the LEC end office switch(es). Access minutes of use will be utilized for calculation of the Access Tandem Switching charge and the charge is assessed on all minutes of use switched at the Access Tandem.
- D. The Switched Transport rate category is designed to compensate an intermediate LEC for use of its switched transport interoffice facilities for completion of an intraLATA-intercompany LDMTS/WATS call. Appropriate transport charges shown in 16.4.C following will be paid by the originating LEC to each intermediate LEC whose switched interoffice facilities are used for the intermediate transport of an intraLATA-intercompany LDMTS or WATS call. A per access minute rate or a monthly flat rate, dependent upon the use of the LEC's interoffice transport facilities will be utilized for calculation of the switched transport charges.

1. MABC Local Channel

The MABC Local Channel provides a communications path between two or more intermediate LEC Access Tandems. The standard channel interface defines the technical characteristics associated with the facility. The MABC Local Channel is capable of carrying a combination of traffic types (e.g. Switched Access, IntraLATA LDMTS and WATS, InterLATA LDMTS, etc.).

The MABC Local Channel will be assessed a per minute of use charge or a flat monthly rate based upon the transport facility utilized between LECs and upon the LEC's choice of billing and rendering payment to the intermediate LEC.

SECTION 16 - ACCESS SERVICE FOR LOCAL EXCHANGE COMPANIES COMPLETION OF
INTRALATA-INTERCOMPANY LONG DISTANCE MTS AND WATS CALLS (CONT'D)

16.3 Rate Regulations (Cont'd.)

D. (Cont'd.)

1. (Cont'd) The following Access Tandem to Access Tandem routes were analyzed based on historical minutes of use. It was determined these routes will be rated at the following capacity level:

Access Tandem to Access Tandem Route:	Facility to be Rated:
Between Pensacola and Crestview (CCFLC , Florala Division)	DS1 Voice Grade-Four Wire
Between Panama City and Port St Joe	DS1
Between Marianna and Port St. Joe	DS1

2. MABC Interoffice Channel

The MABC Interoffice Channel provides a transmission facility and the facility termination at the LEC's end office switch and/or the LEC's Access Tandem switch. The Facility Termination applies for each MABC Interoffice Channel termination (i.e. at the LEC end office and/or at the Access Tandem). The MABC Interoffice Channel can be utilized by intermediate LECs for either Switched Common Transport or Switched Dedicated Transport facilities.

For Switched Dedicated Transport, the MABC Interoffice Channel is provisioned between two or more intermediate LEC's end office switch(es), or between the LEC's Access Tandem(s) and the LEC's end office switch(es) or Serving Wire Center(s).

SECTION 16 - ACCESS SERVICE FOR LOCAL EXCHANGE COMPANIES COMPLETION OF
INTRALATA-INTERCOMPANY LONG DISTANCE MTS AND WATS CALLS (CONT'D)

16.3 Rate Regulations (Cont'd.)

D. (Cont'd.)

2. MABC Interoffice Channel (Cont'd)

For Switched Common Transport, the MABC Interoffice Channel is provisioned between the intermediate LEC's end office switch(es) by switching through one or more LEC's Access Tandem(s). For transport between the Access Tandem and the LEC end office, between the end office which serves as a host for a remote switching system or module (RSS or RSM) and RSS or RSM and for terminating FGA between the dial tone office and end office, the transport will be Switched Common Transport.

Mileage measurement, for Switched Common Transport and Switched Dedicated Transport facilities, will be calculated in accordance with 6.7.19, preceding.

a. Dedicated MABC Interoffice Channel(s)

The Dedicated MABC Interoffice Channel rate category consist of two rate elements (1) MABC Interoffice Facility and (2) the MABC Interoffice Facility Termination. The Dedicated MABC Interoffice Channel Facility is based on capacity (e.g. Voice Grade (VG), DS1 and/or DS3) and permits the transmission of calls in the originating and/or terminating direction.

The Dedicated MABC Interoffice Channel transmission charge is a monthly, per mile charge based on the capacity of the LEC facility, e.g. VG, DS1 and/or DS3.

The Facility Termination component of the Dedicated MABC Interoffice Channel provides equipment necessary for the termination of the Dedicated MABC Interoffice Channel facility. The MABC Facility Termination charge will apply for each facility termination of greater than zero miles. The MABC Interoffice Channel Facility Termination charge is assessed as a monthly rate. Each MABC Facility Termination charge will be rated at fifty percent of the flat monthly rate if the entire facility is not owned by one LEC.

SECTION 16 - ACCESS SERVICE FOR LOCAL EXCHANGE COMPANIES COMPLETION OF
INTRALATA-INTERCOMPANY LONG DISTANCE MTS AND WATS CALLS (CONT'D)

16.3 Rate Regulations (Cont'd.)

D. (Cont'd.)

2. MABC Interoffice Channel (Cont'd)

b. Common MABC Interoffice Channel

The common MABC Interoffice Channel rate category is composed of switched transport facilities as determined by the LECs and permits the transmission of calls in the originating direction and/or the terminating direction. The MABC Common Interoffice Channel Facility charge will be assessed on a per minute of use, per mile charge on usage of greater than zero miles.

The Facility Termination component of the Common MABC Interoffice Channel provides equipment necessary for the termination of the Common MABC Interoffice Channel facility. The MABC Facility Termination for Common Interoffice Channels will be assessed on a per minute of use on the facility and will be rated at fifty percent of the usage rate if the entire facility is not owned by one LEC.

3. MABC Interconnection

The MABC Interconnection Charge will be assessed on all LEC originating and terminating minutes of use.

SECTION 16 - ACCESS SERVICE FOR LOCAL EXCHANGE COMPANIES COMPLETION OF
INTRALATA-INTERCOMPANY LONG DISTANCE MTS AND WATS CALLS (CONT'D)

16.4 Rates and Charges

A. The rate for Carrier Common Line Access is:

1.	Per Originating Access Minute	Rate
	Consolidated Communications of Florida Company (CCFLC)	\$.03040
2.	Per Terminating Access Minute	
	Consolidated Communications of Florida Company (CCFLC)	*

*The rates, charges and conditions for the provision of intrastate terminating Carrier Access Service are as specified in the NECA Tariff FCC No. 5 as it now exists, and as it may be revised, added to, or supplemented.

B. Carrier Access Capacity

1.	Per busy hour minutes of capacity ¹	Rate
	CCFLC (Floral Division)	\$2.64

*The rates, charges and conditions for the provision of intrastate terminating Carrier Access Service are as specified in the NECA Tariff FCC No. 5 as it now exists, and as it may be revised, added to, or supplemented.

Note 1: The toll (MTS - A18, OUTWATS - A19) rates of the Local Exchange Company where the collect, third party, and pay telephone calls originated will be billed. For an 800 service call, the terminating Local Exchange Company 800 service rates will be billed.

SECTION 16 - ACCESS SERVICE FOR LOCAL EXCHANGE COMPANIES COMPLETION OF
INTRALATA-INTERCOMPANY LONG DISTANCE MTS AND WATS CALLS (CONT'D)

16.4 Rates and Charges (Cont'd.)

C. Switched Access Service

1. MABC Local Channel

	Monthly Rate	Rate Per Access Minute
(a) Voice Grade - Four Wire	\$45.24	\$.005027
(b) DS1 - 1.544 Mbps	\$133.81	\$.000619
(c) DS3 - 44.736 Mbps	\$2,100.00	\$.000347

2. MABC Interoffice Channel

(a) Dedicated Transport

1. Voice Grade

	Monthly Rate
(a) Per Mile	\$1.90
(b) Facility Termination	\$23.30

2. DS1 - 1.544 Mbps

(a) Per Mile	\$16.75
(b) Facility Termination	\$59.75

3. DS3 - 44.736 Mbps

(a) Per Mile	\$175.00
(b) Facility Termination	\$1,200.00

3. MABC Interoffice Channel - Common Transport

	Rate Per Access Minute
(a) Per Mile	\$.00004
(b) Facilities Termination	\$.00036

4. Access Tandem Switching

(a) Per Access Minute	\$.00050
-----------------------	----------

5. MABC Interconnection

(a) CCFLC (Floral Division)	\$.0304
(b) CCFLC (Perry Division)	\$.0082

SECTION 16 - ACCESS SERVICE FOR LOCAL EXCHANGE COMPANIES COMPLETION OF
INTRALATA-INTERCOMPANY LONG DISTANCE MTS AND WATS CALLS (CONT'D)

16.4 Rates and Charges (Cont'd.)

C. Switched Access Service (Cont'd)

5. MABC Interconnection (Cont'd)

Rate
Per Access
Minute

CCFLC (St. Joe Division)

\$.03611

6. End Office

Rate
\$.01770

Local Switching

SECTION 17 - RESERVED FOR FUTURE USE

TABLE OF CONTENTS

SECTION 17 - RESERVED FOR FUTURE USE

SECTION 18 - RESERVED FOR FUTURE USE

TABLE OF CONTENTS

SECTION 18 - RESERVED FOR FUTURE USE

SECTION 19 - RESERVED FOR FUTURE USE

TABLE OF CONTENTS

SECTION 19 - RESERVED FOR FUTURE USE

SECTION 20 - RESERVED FOR FUTURE USE

TABLE OF CONTENTS

SECTION 20 - RESERVED FOR FUTURE USE

SECTION 21 - FAST PACKET ACCESS SERVICE

TABLE OF CONTENTS

21.1	CCFLC Exchange Access Asynchronous Transfer Mode Service (XAATMS)
21.1.1	Service Description
21.1.2	Rate Categories
21.1.3	Acceptance Testing
21.1.4	Ordering Options and Conditions
21.1.5	Rate Regulations
21.1.6	Rates and Charges

SECTION 21 - FAST PACKET ACCESS SERVICE

21.1 Exchange Access Asynchronous Transfer Mode Service (XAATMS)

21.1.1 Service Description

- A. CCFLC Exchange Access Asynchronous Transfer Mode (ATM) Service (XAATMS) is a connection-oriented data service based on ATM cell-based switching technology. CCFLC XAATMS allows for the interconnection of ATM compatible customer equipment by providing efficient throughput at high speeds of transmission. CCFLC XAATMS provides the switching of symmetrical duplex transmissions of fixed-length ATM cells (herein referred to as ATM cells).

A user network interface (UNI) is available with CCFLC XAATMS. The UNI is a standard interface used to connect the customer to the CCFLC XAATMS switch. It receives the ATM cells into the ATM switch and verifies that the addressing and traffic parameters are valid (according to CCFLC XAATMS technical specifications as referenced in B. following) before relaying the ATM cells to the specified destination. The UNI is offered at transmission speeds of 1.536 Mbps, 44.210 Mbps, 149.760 Mbps and 599.040 Mbps.

The rate structure for CCFLC XAATMS is comprised of a Network Interface rate element by transmission speed and rate elements for PVC Features (representing ATM traffic). Connection to CCFLC XAATMS network interfaces is accomplished through dedicated access. For intrastate dedicated access, rates, charges, and regulations for Special Access (a.k.a. CCFLC SPA) Services are specified in Section E7 preceding. Only non-channelized bandwidth may terminate on a CCFLC XAATMS network interface.

As CCFLC XAATMS is a connection oriented service, to transfer information a virtual connection must be set up between two network interfaces on a CCFLC XAATMS switch. CCFLC XAATMS supports ATM traffic via permanent virtual connections (PVCs). PVCs are bi-directional virtual channels that are established via the service provisioning process.

For CCFLC XAATMS, the logical path between a customer's premises and a network interface on the CCFLC XAATMS switch is referred to as an ATM PVC segment. The mapping together of two ATM PVC segments through the CCFLC XAATMS switch creates an ATM PVC. This ATM PVC is a logical channel representing the path from one premises associated with a CCFLC XAATMS network interface, through the CCFLC XAATMS switch, to a premises associated with a different network interface on the CCFLC XAATMS switch.

SECTION 21 - FAST PACKET ACCESS SERVICE (cont'd.)**21.1 Exchange Access Asynchronous Transfer Mode Service (XAATMS) (Cont'd.)****21.1.1 Service Description (Cont'd.)****A. (Cont'd.)**

The following provides additional information on the terms used to describe the attributes of CCFLC XAATMS with respect to the PVC Feature Charges which apply for ATM PVC traffic. Information is provided regarding ATM PVC segment, ATM PVC service categories, ATM PVC traffic parameters, and ATM PVC segment bandwidth.

1. TM PVC Segment

For CCFLC XAATMS, the ATM PVC segment defines the logical path between a customer's premises and the network interface on the CCFLC XAATMS switch. An ATM PVC segment must be provisioned by the Company via service order activity and remain in place until requested to be removed by the customer. For CCFLC XAATMS, two ATM PVC segments are mapped together through the CCFLC XAATMS switch to create an ATM PVC representing a virtual channel through the CCFLC XAATMS network.

2. ATM PVC Service Categories

ATM PVC service categories are established to support the service requirements of various categories of customer applications for ATM PVCs. Four ATM PVC service categories are available. The customer must specify the desired service category for each ATM PVC that is ordered. CCFLC XAATMS supports the following types of ATM PVC service categories:

- a. **Constant Bit Rate (CBR):** CBR allows for applications where an ATM PVC requires special network timing requirements (i.e., strict PVC cell loss, cell delay and cell delay variation performance). For example, a CBR ATM PVC would be utilized for applications requiring circuit emulation (i.e., a continuously operating logical channel) over CCFLC XAATMS at transmission speeds comparable to DS1 and DS3. Such applications would include private line like service or voice type service where delays in transmission cannot be tolerated. The customer specifies the bandwidth required for each CBR ATM PVC when it is ordered.

SECTION 21 - FAST PACKET ACCESS SERVICE (cont'd.)**21.1 Exchange Access Asynchronous Transfer Mode Service (XAATMS) (Cont'd.)****21.1.1 Service Description (Cont'd.)****A. (Cont'd.)****2. ATM PVC Service Categories (Cont'd)**

- b. Variable Bit Rate - Real Time (VBR-RT): VBR-RT allows for applications where an ATM PVC requires low cell delay variation. For example, VBR-RT would be utilized for applications such as variable bit rate video compression and packet voice and video, which are somewhat tolerant of delay. The customer specifies the bandwidth required for each VBR-RT ATM PVC when it is ordered.
- c. Variable Bit Rate - Non-Real Time (VBR-NRT): VBR-NRT allows for an ATM PVC that can tolerate larger cell delay variations than VBR-RT. For example, VBR-NRT would be utilized for applications such as data file transfers. The customer specifies the bandwidth required for each VBR-NRT ATM PVC when it is ordered.
- d. Unspecified Bit Rate (UBR): UBR allows for an ATM PVC where the user does not require one of the ATM PVC service categories described in (a) through (c) preceding. For example, UBR would be utilized where the customer seeks a low cost method of transporting bursty data for non-critical applications that can tolerate delay variations. The Company will attempt to deliver all ATM cells received via LJ13R ATM PVCs; however, network congestion may result in loss of ATM cells.

SECTION 21 - FAST PACKET ACCESS SERVICE (cont'd.)**21.1 Exchange Access Asynchronous Transfer Mode Service (XAATMS) (Cont'd.)****21.1.1 Service Description (Cont'd.)****A. (Cont'd.)****3. ATM PVC Traffic Parameters**

In accordance with the technical specifications for CCFLC XAATMS set forth in the technical publications referenced herein 21.1.1.B, each non-UBR type ATM PVC has a set of traffic parameters to describe the characteristics of the information being transmitted. Fixed values for these traffic parameters are derived from the ATM PVC bandwidth specified by the customer for each ATM PVC. These parameters are:

- a. **Peak Cell Rate (PCR):** The PCR, in cells per second, is an upper bound on the source traffic that can be submitted on a CCFLC XAATMS network interface. PCR is a traffic parameter considered for both CBR and VBR service categories.

PCR is the only traffic parameter considered for a CBR ATM PVC; the equivalent bandwidth per CBR ATM PVC equals the PCR, in cells per second, times 0.000424.

PCR is one of three traffic parameters considered for a VBR ATM PVC. For a VBR-RT PVC, PCR is 200 percent of the SCR described following. For VBR-NRT, PCR is 400 per cent of the SCR described following.

- b. **Sustainable Cell Rate (SCR):** The SCR, in cells per second, is an upper bound on the conforming average cell rate of a CCFLC XAATMS network interface over time.

SCR is a traffic parameter considered only for a VBR ATM PVC. The equivalent bandwidth per VBR-RT ATM PVC is equal to the SCR, in cells per second, times 0.000512. The bandwidth per VBR-NRT ATM PVC is equal to the SCR, in cells per second, times 0.000804.

- c. **Maximum Burst Size (MBS):** MBS is the maximum number of consecutive cells that may be transmitted at the peak cell rate. MBS is a traffic parameter considered only for a VBR ATM PVC. For a VBR-RT ATM PVC, the MBS is fixed at 32 cells. For a VBR-NRT ATM PVC, the MBS is fixed at 100 cells.

SECTION 21 - FAST PACKET ACCESS SERVICE (cont'd.)**21.1 Exchange Access Asynchronous Transfer Mode Service (XAATMS) (Cont'd.)****21.1.1 Service Description (Cont'd.)****A. (Cont'd.)****4. ATM PVC Segment Bandwidth**

An ATM PVC Segment Bandwidth Charge is applicable for each CBR or VBR ATM PVC segment. Such non-UBR ATM PVC equivalent bandwidth represents the CCFLC XAATMS network resources based on the ATM PVC's traffic parameters. The ATM PVC Segment Bandwidth Charge is derived by multiplying the ATM PVC segment's equivalent bandwidth (calculation following) by the appropriate ATM PVC Segment Bandwidth Charge (expressed in megabits or increments of 64 Kbps as described following).

The following calculations are applicable for determining non-UBR ATM PVC segment bandwidth based upon the ATM PVC category of service.

- a. CBR equivalent bandwidth is equal to the PCR (cells per second) times 0.000424. PCR is equal to increments of 64 Kbps of equivalent bandwidth times 15 0.943, or megabits of equivalent bandwidth times 2358.491.
- b. VBR-RT equivalent bandwidth is equal to the SCR (cells per second) times 0.000512. For VBR-RT service, the PCR is fixed at 200 percent of the SCR and the MBS is fixed at 32 cells. SCR is equal to increments of 64 Kbps of equivalent bandwidth times 125.000, or megabits of equivalent bandwidth times 1953.125.
- c. VBR-NRT equivalent bandwidth is equal to the SCR (cells per second) times 0.000804. For VBR-NRT service, the PCR is fixed at 400 percent of the SCR (unless specified otherwise by the customer) and the MBS is fixed at 100 cells. SCR is equal to increments of 64 Kbps of equivalent bandwidth times 79.602, or megabits of equivalent bandwidth times 1243.781.

Note 1: VBR-NRT equivalent bandwidth, where the PCR to SCR ratio is specified by the customer, is determined using the formula in Section 1.3.4 of BellSouth Technical Reference 73585.

SECTION 21 - FAST PACKET ACCESS SERVICE (cont'd.)

21.1 Exchange Access Asynchronous Transfer Mode Service (XAATMS) (Cont'd.)

21.1.1 Service Description (Cont'd.)

A. (Cont'd.)

4. ATM PVC Segment Bandwidth (cont'd.)

Where the result from the ATM PVC segment equivalent bandwidth calculation is greater than 1.536 Mbps, the value is expressed in units of megabits and (if a fraction of a megabit) is rounded up to the next whole megabit. This bandwidth is multiplied by the Per Megabit Bandwidth Charge.

Where the result from the ATM PVC segment equivalent bandwidth calculation is less than or equal to 1.536 Mbps, that Dumber should be divided by .064 Mbps to arrive at a quantity of 64 Kbps increments. If the resulting number is not a whole number, it is rounded up to the next whole number and represents the number of 64 Kbps increments that should be utilized in the derivation of the PVC Segment Bandwidth Charge. This bandwidth is multiplied by the Per Increment of 64 Kbps Bandwidth Charge.

The following table illustrates the ATM PVC segment equivalent bandwidth calculation for each non-UBR type ATM PVC with 1 megabit of bandwidth.

ATM PVC Service Category	Equivalent Bandwidth	Peak Cell Rate ¹	Traffic Parameters	
			Sustainable Cell Rate ¹	Maximum Burst Size ²
CBR	1 Megabit	2,358	N/A	N/A
VBR-RT	1 Megabit	3,906	1,953	32
VBR-NRT	1Megabit	4,975	1,244	100

Note 1: Cells per second.

Note 2: Cells.

SECTION 21 - FAST PACKET ACCESS SERVICE (cont'd.)

21.1 Exchange Access Asynchronous Transfer Mode Service (XAATMS) (Cont'd.)

21.1.1 Service Description (Cont'd.)

A. (Cont'd.)

4. ATM PVC Segment Bandwidth (cont'd.)

B. Technical Specifications

CCFLC XAATMS services installed after the effective date of this tariff will conform to the service specifications and standards for CCFLC XAATMS service (including the CCFLC XAATMS UNI) set forth in the following references:

- Technical Reference 73585, "Asynchronous Transfer Mode (ATM) Network Interface and Performance Specifications".

The specifications set forth in TR 73585 are in conformance with the following national standards for ATM services:

- ATM Forum document, "ATM User-Network Interface Specification" (Versions 3.0 and 3.1).

C. Interface Specifications

In accordance with the interface specifications set forth in TR 73585, the following is available with CCFLC XAATMS:

- ATM Cell-switched (UNI)

SECTION 21 - FAST PACKET ACCESS SERVICE (cont'd.)**21.1 Exchange Access Asynchronous Transfer Mode Service (XAATMS) (Cont'd.)****21.1.2 Rate Categories****A. The following rate categories apply to CCFLC XAATMS:****1. Network Interface**

This rate category provides for the customer's termination on the CCFLC XAATMS switch. The Network Interface rate category includes the CCFLC XAATMS switching function.

2. PVC Features

The PVC Features rate category provides for the ordering and provisioning of ATM PVCs in association with the CCFLC XAATMS network interface.

The rates for PVC Features may vary by ATM PVC service category and are listed in 21.1.6.B. by applicable ATM PVC service category.

a. **ATM PVC Segment Charge** - An ATM PVC Segment Charge applies for each ATM PVC segment established over a network interface. An ATM PVC Segment Charge applies under all ATM PVC service categories.

b. **ATM PVC Segment Bandwidth Charge** - An ATM PVC Segment Bandwidth Charge is required per ATM PVC segment established under the CBR or VBR ATM PVC service category (but is not applicable to UBR ATM PVCs). ATM PVC bandwidth represents CCFLC XAATMS network resources required for the non-UBR ATM PVC and is based on the non-UBR ATM PVC's traffic parameters (i.e., PCR, SCR, and MBS). The total charge for this rate element per segment is determined by multiplying the non-UBR ATM PVC segment bandwidth by the ATM PVC Segment Bandwidth Charge, either Per Megabit or Per Increment of 64 Kbps (as appropriate per 21.1.1.A.4.).

c. **UBR Service Activation Charge** - A UBR Service Activation Charge is applicable for each network interface over which UBR PVC(s) will traverse. One charge is applicable per network interface regardless of how many UBR PVCs will traverse that network interface.

SECTION 21 - FAST PACKET ACCESS SERVICE (cont'd.)**21.1 Exchange Access Asynchronous Transfer Mode Service (XAATMS) (Cont'd.)****21.1.2 Rate Categories (Cont'd.)****A. The following rate categories apply to CCFLC XAATMS: (Cont'd.)****3. Feature Change Charge**

A Feature Change Charge applies for a customer request to change an existing CCFLC XAATMS PVC Feature from 21.1.6.B. for which there is no nonrecurring charge. (Examples: A Feature Change Charge applies when a customer requests a change in the ATM PVC segment bandwidth required on an existing non-UBR ATM PVC. A Feature Change Charge applies when a customer requests that UBR Service Activation be added to an existing Network Interface which currently is not activated to carry UBR ATM PVCs if the request does not also include an order for a UBR ATM PVC Segment which carries a nonrecurring charge. A customer request to change the service category of an existing CBR ATM PVC to a VBR-RT ATM PVC would not involve a Feature Change Charge but would be treated as a disconnect of the CBR ATM PVC and a new request for a VBR-RT ATM PVC for which there is a nonrecurring charge.)

Only one Feature Change Charge applies per customer request that involves changes to multiple existing ATM PVCs of the same ATM PVC service category that are provisioned out of the same CCFLC XAATMS switch. (For example, one Feature Change Charge would apply per customer request to change the ATM PVC segment bandwidth associated with two existing CBR ATM PVCs provisioned out of the same CCFLC XAATMS switch.)

SECTION 21 - FAST PACKET ACCESS SERVICE (cont'd.)**21.1 Exchange Access Asynchronous Transfer Mode Service (XAATMS) (Cont'd.)****21.1.2 Rate Categories (Cont'd.)****A. The following rate categories apply to CCFLC XAATMS: (Cont'd.)****4. Transfer of Service**

When a change to the customer of record is requested, transfer of service charges, as set forth in 21.1.6.D. following will apply. Charges are applied per Billing Account Number (BAN). Administrative changes, as identified below, will be made without charge(s) to the customer. Such changes require the continued provision and billing of the Access Service to the same entity. (i.e., customer remains responsible for all outstanding indebtedness for Access Service). Administrative changes are as follows:

- Change of customer name (i.e., the customer of record does not change but rather the customer of record changes its name),
- Change of customer or customer's end user premises address when the change of address is not a result of physical relocation of equipment,
- Change in billing data (name, address, or contact name or telephone number. The customer of record does not change),
- Change of customer circuit identification,
- Change of billing account number,
- Change of customer test line number,
- Change of customer or customer's end user contact name of telephone number, and
- Change of jurisdiction.

All other service arrangements, including physical changes to existing services, will be charged as follows:

- If the change involves the addition of an optional feature which has a separate nonrecurring charge, that nonrecurring charge will apply.

SECTION 21 - FAST PACKET ACCESS SERVICE (cont'd.)**21.1 Exchange Access Asynchronous Transfer Mode Service (XAATMS) (Cont'd.)****21.1.3 Acceptance Testing**

At no additional charge, and at the customer's request, the Telephone Company will cooperatively test with the customer at the time of installation.

21.1.4 Ordering Options and Conditions

The Access Order, as set forth in Section 5 preceding, is used in the provisioning of CCFLC XAATMS. Also included in that Section are other charges which may be associated with ordering CCFLC XAATMS (e.g., Service Date Change Charges, Cancellation Charges, etc.).

21.1.5 Rate Regulations

- A. Rates and charges are specified in 21.1.6 following for the ordering and provisioning of CCFLC XAATMS. CCFLC XAATMS is available under the Fast Packet Services Payment Plan (SPP) as specified in 2.4.9.B. preceding.
- B. Minimum Period of Service - The minimum period per CCFLC XAATMS rate element selected is one month.
- C. Installation of Service - Nonrecurring charges apply to each CCFLC XAATMS UNI installed. Nonrecurring charges for the Network Interface elements are set forth in 21.1.6.A. following.
- D. Installation of Features - Nonrecurring charges apply to each ATM PVC segment by ATM PVC service category as set forth in 21.1.6.B. following.
- E. Transfer of Service - When a change in billing data (e.g., name, address, contact name or telephone number) is requested in association with a change in the customer's record, transfer of service charges, as set forth in 21.1.6.D. following will apply. Charges are applied on a per Billing Account Number (BAN).

SECTION 21 - FAST PACKET ACCESS SERVICE (cont'd.)**21.1 Exchange Access Asynchronous Transfer Mode Service (XAATMS) (Cont'd.)****21.1.5 Rate Regulations (Cont'd.)**

- F. Maintenance - In order to maintain the quality of CCFLC XAATMS, the Company reserves the right to perform preventive maintenance and software updates to the network. This could result in CCFLC XAATMS being unavailable during the time period between 2:00 A.M. and 4:00 A.M. Eastern Time on any given Wednesday or Sunday morning. However, the Company only expects to utilize this maintenance window for any given switch on the average of once a quarter. In addition, the Company will make every reasonable effort to provide advance notice to those customers likely to be affected by such maintenance work. This maintenance window may be adjusted by the Company upon written notice to the customer.
- G. Service Level Agreements - Service Level Agreements (SLAs) provide the Company's service level commitments for specific aspects of its ATM network's performance. SLAs are only provided for customers with at least ten ATM UNIs.

SLA commitments only apply for service wholly within Company territory; SLA commitments will not apply for service which is part of a jointly provided service.

1. SLA commitments are provided for Network Availability, Cell Delivery Rate and Cell Loss Ratio.
2. SLA credits are provided for missed commitments, except as specified otherwise in 3 and 4 following.
3. SLA credits for missed commitments do not apply when any commitment is not met because the Company does not have control over the circumstances causing the commitment to be missed. Situations over which the Company does not have control can be defined as, but not limited to the following:
 - a. any act, any omission or negligence on the part of the customer, any other customer or any third party, or of any other entity providing a portion of the service,
 - b. the customer's premises equipment,
 - c. unavailability of the customer's facilities and/or equipment, and

SECTION 21 - FAST PACKET ACCESS SERVICE (cont'd.)**21.1 Exchange Access Asynchronous Transfer Mode Service (XAATMS) (Cont'd.)****21.1.5 Rate Regulations (Cont'd.)****G.3. (Cont'd)**

- d. labor difficulties, governmental orders, civil commotions, acts of civil or military authority, embargoes, epidemics, declared National Emergencies, criminal actions against the Company, war, terrorist acts, riots, insurrections, fires, explosions, nuclear accidents, power blackouts, acts of God (including, but not limited to, earthquakes, floods or unusually severe weather conditions) or other circumstances beyond the Company's control,
 - e. customer oversubscription of the ATM UNI beyond 200%, calculated as the total VBR equivalent bandwidth on all PVCs carried by the ATM UNI (after the CBR bandwidth is subtracted) may not be greater than 200% of the ATM UNI Network Interface speed.
4. SLA credits for missed commitments do not apply for situations when the customer's service is out of operation as a result of scheduled maintenance windows as set forth in 21.1.5.F preceding. Time from such maintenance activity does not count towards the time a service is considered as unavailable during a calendar month for purposes of measuring for the Network Availability SLA.
 5. Service Level Commitments

SLA commitments for the specific aspects of the ATM network's performance set forth in 1 preceding are measured on a specific calendar month basis. The specific network performance commitments provided and how their performance is measured for a calendar month are as follows:

Network Availability Commitment: 99.9%

The Network Availability commitment is provided on the customer's total ATM network. Network Availability will measure the percentage of time during a calendar month that the customer's ATM network is available.

SECTION 21 - FAST PACKET ACCESS SERVICE (cont'd.)

21.1 Exchange Access Asynchronous Transfer Mode Service (XAATMS) (Cont'd.)

21.1.5 Rate Regulations (Cont'd.)

G. Service Level Agreements (Cont'd.)

5. Service Level Commitments (cont'd.)

Network Availability Commitment: 99.9%

Network availability will be measured for the customer's total ATM network and for each individual ATM UNI for a whole calendar month.

For the purpose of measuring Network Availability, times during which an ATM UNI is out of operation in association with maintenance windows (as set forth in 21.1.5.F preceding) and in association with situations over which the Company does not have control (as set forth in 21.1.5.G.3 preceding) are counted as "available" time.

SECTION 21 - FAST PACKET ACCESS SERVICE (cont'd.)**21.1 Exchange Access Asynchronous Transfer Mode Service (XAATMS) (Cont'd.)****21.1.5 Rate Regulations (Cont'd.)****G. Service Level Agreements (Cont'd.)**

5. Service Level Commitments (cont'd.) - SLA commitments for the specific aspects of the ATM network's performance set forth in 1 preceding are measured on a specific calendar month basis. The specific network performance commitments provided and how their performance is measured for a calendar month are as follows: (cont'd.)

Cell Delivery Rate Commitment: by PVC Category of Service

A Cell Delivery Rate commitment is provided on a per PVC basis for each ATM PVC with one of the following classes of service: CBR, VBR-RT and VBR-NRT. (A Cell Delivery Rate commitment is not provided for ATM PVCs with a UBR class of service).

The specific commitment for Cell Delivery Rate for a PVC with a CBR class of service is 99.99%.

The specific commitment for Cell Delivery Rate for a PVC with a VBR-RT class of service is 99.9%.

The specific commitment for Cell Delivery Rate for a PVC with a VBR-NRT class of service is 99.5%.

Cell Delivery Rate will measure the percentage of cells successfully delivered for a CBR or VBR PVC during a specific calendar month. The Cell Delivery Rate measures the quantity of cells received versus quantity of cells transmitted during a specific calendar month between the two ATM UNIs forming the PVC (i.e., the difference in cells transmitted versus received are considered "lost").

The monthly Cell Delivery Rate for a qualifying PVC in a specific calendar month is determined by subtracting the total cells lost from the total cells transmitted, divided by the total cells transmitted. If the resulting percentage representing the percent of cells delivered for that PVC is less than the specific commitment for that PVC class of service, this commitment has been missed and the Cell Delivery Rate SLA Credit set forth in 21.1.5.G.6 following will then be issued on this ATM PVC.

SECTION 21 - FAST PACKET ACCESS SERVICE (cont'd.)**21.1 Exchange Access Asynchronous Transfer Mode Service (XAATMS) (Cont'd.)****21.1.5 Rate Regulations (Cont'd.)****G. Service Level Agreements (Cont'd.)****5. Service Level Commitments (cont'd.)**

SLA commitments for the specific aspects of the ATM network's performance set forth in 1 preceding are measured on a specific calendar month basis. The specific network performance commitments provided and how their performance is measured for a calendar month are as follows: (cont'd.)

Cell Loss Ratio Commitment: 1%

A Cell Loss Ratio commitment is provided on a per PVC basis for every ATM PVC.

Cell Loss Ratio will measure the percentage of transmitted cells not delivered (or lost) for a PVC during a specific calendar month. The Cell Loss Ratio measures the quantity of cells lost versus the quantity of cells transmitted during a specific calendar month between the two ATM UNIs forming the PVC (i.e., the difference in cells transmitted versus received are considered "lost").

The monthly Cell Loss Ratio for a PVC in a specific calendar month is determined by dividing the quantity of cells lost (determined by subtracting the quantity of cells received from the quantity of cells transmitted) by the quantity of cells transmitted during that calendar month. If the resulting percentage representing the percent of cells lost for the PVC is greater than 1%, this commitment has been missed and the Cell Delivery Rate SLA Credit set forth in 21.1.5.G.6 following will then be issued on this ATM PVC based upon its category of service.

SECTION 21 - FAST PACKET ACCESS SERVICE (cont'd.)**21.1 Exchange Access Asynchronous Transfer Mode Service (XAATMS) (Cont'd.)****21.1.5 Rate Regulations (Cont'd.)****G. Service Level Agreements (Cont'd.)****6. Credits for Missed SLA Commitments**

The following credits are provided for SLA performance commitments missed during a calendar month subject to the conditions outlined herein 21.1.5.G.

Total SLA credits issued for an individual ATM UNI in a specific calendar month cannot exceed the total monthly recurring charges billed for that ATM UNI (i.e., cannot exceed the sum of the monthly billing for the XAATMS Network Interface rate element plus any rate elements for features).

Network Availability SLA Credit:

This credit is appropriate when the Network Availability commitment for the customer's total network is missed; this credit is then applied per individual ATM UNI that does not specifically meet the Network Availability commitment.

For each individual ATM UNI not meeting this commitment for a specific calendar month, a credit equal to 1/30 of its monthly recurring charge for the XAATMS Network Interface rate element will be issued.

Cell Delivery Rate SLA Credit:

This credit is applied per individual ATM PVC (i.e., PVC Segment pair forming the PVC) that does not meet the Cell Delivery Rate commitment.

For each PVC not meeting this commitment for a specific calendar month, a credit equal to \$5.00 for each PVC Segment will be issued.

Cell Loss Ratio SLA Credit:

This credit is applied per individual ATM PVC (i.e., PVC Segment pair forming the PVC) that does not meet the Cell Loss Ratio commitment.

For each PVC not meeting this commitment for a specific calendar month, a credit equal to \$5.00 for each PVC Segment will be issued.

SECTION 21 - FAST PACKET ACCESS SERVICE (cont'd.)

21.1 Exchange Access Asynchronous Transfer Mode Service (XAATMS) (Cont'd.)

21.1.6 Rates and Charges

A. Network Interface

1.	Per UNI	<u>Nonrecurring</u>	Month	A	B
		<u>Charges</u>	To	12 to 24	25 to 48
			<u>Month</u>	<u>Mos. Plan</u>	<u>Mos. Plan</u>
(a)	1.536 Mbps	\$500.00	\$395.00	\$360.00	260.00
(b)	44.210 Mbps	750.00	2,426.00	1,920.00	1,550.00
(c)	149.760 Mbps	1,000.00	4,500.00	4,050.00	2,880.00
(d)	599.040 Mbps	1,500.00	9,000.00	8,100.00	5,800.00

B. PVC Features

	<u>Month</u>	<u>Nonrecurring</u>
	<u>To Month</u>	<u>Charges</u>

1.	CBR ATM PVC Service Category		
	(a) PVC Segment Charge, Per Segment	\$70.00	\$5.00
	(b) Per Megabit-Bandwidth Charge, Per Segment, or	-	25.00
	(c) Per Increment of 64 Kbps-Bandwidth Charge, Per Segment	-	1.60
2.	VBR-RT ATM PVC Service Category		
	(a) PVC Segment Charge, Per Segment	70.00	5.00
	(b) Per Megabit-Bandwidth Charge, Per Segment, or	-	25.00
	(c) Per Increment of 64 Kbps-Bandwidth Charge, Per Segment	-	1.60
3.	VBR-NRT ATM PVC Service Category		
	(a) PVC Segment Charge, Per Segment	70.00	5.00
	(b) Per Megabit-Bandwidth Charge, Per Segment, or	-	25.00
	(c) Per Increment of 64 Kbps-Bandwidth Charge, Per Segment	-	5.00
4.	UBR ATM PVC Service Category		
	(a) PVC Segment Charge, Per Segment	70.00	5.00
	Per Network Interface		
	(b) 1.536 Mbps UBR Service Activation Charge	-	10.00
	(c) 44.210 Mbps UBR Service Activation Charge	-	250.00
	(d) 149.760 Mbps UBR Service Activation Charge	-	750.00
	(e) 599.040 Mbps UBR Service Activation Charge	-	3,000.00

C. Feature Change Charge

(a)	Per Occurrence, Per Feature	75.00	None
-----	-----------------------------	-------	------

D. Transfer of Service

(a)	Per Billing Account Number	75.00	None
-----	----------------------------	-------	------