

BellSouth Telecommunications, Inc 850 224-7798
Suite 400 Fax 850 224-5073
150 South Monroe Street
Tallahassee, Florida 32301-1556

Marshall M. Criser III
Regulatory Vice President

May 15, 2001

Mrs. Blanca S. Bayo
Director, Division of Records and Reporting
Florida Public Service Commission
2540 Shumard Oak Boulevard
Tallahassee, Florida 32399

010745-TP

Re: Approval of an Amendment to the Interconnection, Unbundling, Resale and Collocation Agreement Negotiated by BellSouth Telecommunications, Inc. ("BellSouth") and Actel Integrated Communications, Inc. pursuant to Sections 251, 252 and 271 of the Telecommunications Act of 1996

Dear Mrs. Bayo:

Pursuant to section 252(e) of the Telecommunications Act of 1996, BellSouth and Actel Integrated Communications, Inc. are submitting to the Florida Public Service Commission an amendment to their negotiated agreement for the interconnection of their networks, the unbundling of specific network elements offered by BellSouth and the resale of BellSouth's telecommunications services to Actel Integrated Communications, Inc. The Commission approved the initial agreement between the companies in Order No. 00-2072-FOF-TP issued October 30, 2000 in Docket 001108-TP. This amendment replaces Attachment 2 in the July 17, 2000 agreement in its entirety. It also includes the SL1 language and rates.

Pursuant to section 252(e) of the Act, the Commission is charged with approving or rejecting the negotiated agreement between BellSouth and Actel Integrated Communications, Inc. within 90 days of its submission. The Act provides that the Commission may only reject such an agreement if it finds that the agreement or any portion of the agreement discriminates against a telecommunications carrier not a party to the agreement or the implementation of the agreement or any portion of the agreement is not consistent with the public interest, convenience and necessity. Both parties aver that neither of these reasons exist as to the agreement they have negotiated and therefore, are very hopeful that the Commission shall approve their agreement.

Very truly yours,

Marshall M. Criser III

DOCUMENT NUMBER-DATE

06090 MAY 15 01

FPSC-RECORDS/REPORTING

ATTACHMENT TO TRANSMITTAL LETTER

The Agreement entered into by and between Actel Integrated Communications, Inc. and BellSouth Telecommunications, Inc., dated March 1, 2001, for Florida, Georgia, and Tennessee consists of the following:

| ITEM | NO. PAGES |
|--------------|--------------|
| Amendment | 2 |
| Attachment 2 | 170 |
| Attachment 3 | 38 |
| TOTAL | 210 |

FIRST AMENDMENT TO
INTERCONNECTION AGREEMENT BETWEEN
BELLSOUTH TELECOMMUNICATIONS, INC.
AND ACTEL INTEGRATED COMMUNICATIONS, INC.
DATED JULY 17, 2000.

Pursuant to this Agreement (the "Amendment"), BellSouth Telecommunications, Inc. ("BellSouth") and Actel Integrated Communications, Inc. ("Actel") hereinafter referred to collectively as the "Parties" hereby agree to amend that certain Interconnection Agreement between the Parties dated July 17, 2000 pertaining to the States of Florida, Georgia and Tennessee ("Interconnection Agreement").

NOW THEREFORE, in consideration of the mutual provisions contained herein and other good and valuable consideration, the receipt and sufficiency of which are hereby acknowledged, BellSouth and Actel hereby covenant and agree as follows:

1. Pursuant to Section 16.5 of Part A - General Terms and Conditions of the Interconnection Agreement, the Parties hereby agree to delete in its entirety Attachment 2 - Network Elements and Other Services, including the rate exhibits thereto, and replace same with Attachment 2 - Network Elements and Other Services from the Parties' February 19, 2001 Interconnection Agreement for the State of Alabama, including the corresponding rate exhibits applicable to the States of Florida, Georgia and Tennessee. Said replacement Attachment 2, including rate exhibits, is attached hereto as Exhibit "A".
2. The Parties hereby further agree to delete in its entirety Attachment 3 - Network Interconnection, including the rate exhibits thereto, and replace same with Attachment 3 - Network Interconnection from the Parties' February 19, 2001 Interconnection Agreement for the State of Alabama, including the corresponding rate exhibits applicable to the States of Florida, Georgia and Tennessee. Said replacement Attachment 3, including rate exhibits, is attached hereto as Exhibit "B".
3. Notwithstanding anything to the contrary in the Interconnection Agreement, the Parties hereby agree that the terms and conditions and rates as set forth in Exhibits A and B of this Amendment shall become effective between the Parties upon execution of this Amendment and shall be applied on a prospective basis from the effective date of this Amendment, and shall not be applied retroactively.
4. The Parties agree that all of the other provisions of the Interconnection Agreement dated July 17, 2000, together with all amendments in effect as of the date of the execution of this Amendment, to the extent not inconsistent with this Amendment, shall remain in full force and effect.
5. The Parties further agree that either or both of the Parties is authorized to submit this Amendment to the Florida and Georgia State Public Service Commissions, and the Tennessee Regulatory Authority, or other regulatory body having jurisdiction over the subject matter of this Amendment, for approval subject to Section 252(e) of the federal Telecommunications Act of 1996.

IN WITNESS WHEREOF, the Parties hereto have caused this Amendment to be executed by their respective duly authorized representatives on the date indicated below.

BellSouth Telecommunications, Inc.

Actel Integrated Communications, Inc.

C.W. Boltz

Paul F. Guarisco

By: *C.W. BOLTZ*

By: *PAUL F. GUARISCO*

Title: *MANAGING DIRECTOR*

Title: *Deputy General Counsel*

DATE: *3/1/01*

DATE: *2/28/01*

Attachment 2

Network Elements and Other Services

TABLE OF CONTENTS

| | |
|--|------------------|
| 1. INTRODUCTION..... | 3 |
| 2. UNBUNDLED LOOPS, INTEGRATED DIGITAL LOOP CARRIERS, NETWORK INTERFACES DEVICE, UNBUNDLED LOOP CONCENTRATION (ULC) SYSTEM, SUB LOOPS AND DARK FIBER..... | 4 |
| 3. HIGH FREQUENCY SPECTRUM NETWORK ELEMENT | 24 |
| 4. SWITCHING..... | 28 |
| 5. UNBUNDLED NETWORK ELEMENT COMBINATIONS..... | 37 |
| 6. TRANSPORT, CHANNELIZATION AND DARK FIBER | 44 |
| 7. BELLSOUTH SWA 8XX TOLL FREE DIALING TEN DIGIT SCREENING SERVICE..... | 51 |
| 8. LINE INFORMATION DATABASE (LIDB) | 52 |
| 9. SIGNALING..... | 55 |
| 10. OPERATOR CALL PROCESSING, INWARD OPERATOR SERVICES AND DIRECTORY ASSISTANCE SERVICES | 63 |
| 11. CALLING NAME (CNAM) DATABASE SERVICE | 70 |
| 12. BASIC 911 AND E911 | 71 |
| 13. TRUE-UP | 72 |
| LIDB Storage Agreement | Exhibit A |
| CNAM Database Service | Exhibit B |
| Rates | Exhibit C |

ACCESS TO NETWORK ELEMENTS AND OTHER SERVICES

1. Introduction

- 1.1 This Attachment sets forth the unbundled network elements and combinations of unbundled network elements that BellSouth agrees to offer to Actel in accordance with its obligations under Section 251(c)(3) of the Act. The specific terms and conditions that apply to the unbundled network elements are described below in this Attachment 2. The price for each unbundled network element and combination of unbundled Network Elements are set forth in Exhibit C of this Agreement.
- 1.2 For purposes of this Agreement, "Network Element" is defined to mean a facility or equipment provided by BellSouth on an unbundled basis as is used by the CLEC in the provision of a telecommunications service. These unbundled network elements are consistent with the requirements of the FCC 51.319 rule. For purposes of this Agreement, combinations of Network Elements shall be referred to as "Combinations."
- 1.2.1 Except as otherwise required by law, BellSouth shall not impose limitation restrictions or requirements or request for the use of the network elements or combinations that would impair the ability of Actel to offer telecommunications service in the manner Actel intends.
- 1.2.2 Except upon request by Actel, BellSouth shall not separate requested network elements that BellSouth currently combines.
- 1.2.2.1 Unless otherwise ordered by an appropriate state or federal regulatory agency, currently combined Network Elements are defined as elements that are already combined within BellSouth's network to a given location.
- 1.3 BellSouth shall, upon request of Actel, and to the extent technically feasible, provide to Actel access to its network elements for the provision of Actel's telecommunications service. If no rate is identified in the contract, the rate for the specific service or function will be as set forth in the applicable BellSouth tariff or as negotiated by the Parties upon request by either Party.
- 1.4 Actel may purchase network elements and other services from BellSouth for the purpose of combining such network elements in any manner Actel chooses to provide telecommunication services to its intended users, including recreating existing BellSouth services. With the exception of the sub-loop elements which are located outside of the central office, BellSouth shall deliver the network elements purchased by Actel for combining to the designated Actel collocation space. The network elements shall be provided as set forth in this Attachment.

- 1.5 BellSouth shall comply with the requirements as set forth in the technical references within Attachment 2 to the extent that they are consistent with the greater of BellSouth's actual performance or applicable industry standards.
- 1.6 In the event that any effective legislative, regulatory, judicial or other legal action modifies or redefines the "Network Elements" in a manner which materially affects the terms of this Attachment or the Network Elements and/or prices set forth herein, either Party may, on thirty (30) days written notice, require renegotiation of such terms, and the Parties shall renegotiate in good faith such new terms in accordance with such legislative, regulatory, judicial or other legal action. In the event such new terms are not renegotiated within ninety (90) days after the notice for renegotiation, either Party may petition the Commission for resolution of the dispute between the Parties. Each Party reserves the right to seek judicial review of any Commission ruling concerning this Attachment.
- 1.7 Actel will adopt and adhere to the standards contained in the applicable BellSouth Operational Understanding regarding maintenance of service.
- 1.8 Standards for Network Elements
- 1.8.1 BellSouth shall comply with the requirements set forth in the technical references, as well as any performance or other requirements identified in this Agreement, to the extent that they are consistent with the greater of BellSouth's actual performance or applicable industry standards.
- 1.8.2 If one or more of the requirements set forth in this Agreement are in conflict, the Parties shall mutually agree on which requirement shall apply. If the Parties cannot reach agreement, the dispute resolution process set forth in Section 12 of the General Terms and Conditions of this Agreement, incorporated herein by this reference, shall apply.
- 1.9 **Rates**
- The prices that Actel shall pay to BellSouth for Network Elements and Other Services are set forth in Exhibit C to this Attachment. If Actel purchases a service(s) from a tariff, all terms and conditions and rates as set forth in such tariff shall apply.
- 1.10 **Operational Support Systems (OSS)**
- The terms, conditions and rates for OSS are as set forth in Section 2.13 of this Attachment.
- 2.10.1.12.

2. Unbundled Loops, Network Interfaces Device, Unbundled Loop Concentration (ULC) System, Sub loops and Dark Fiber

All of the negotiated rates, terms and conditions set forth in this Section pertain to the provision of unbundled loops.

2.1 Unbundled Loops

2.1.1 Definition

2.1.2 The local loop network element ("Loop(s)") is defined as a transmission facility between a distribution frame (or its equivalent) in BellSouth's central office and the loop demarcation point at an end-user customer premises, including inside wire owned by BellSouth. The local loop network element includes all features, functions, and capabilities of the transmission facilities, including dark fiber and attached electronics (except those used for the provision of advanced services, such as Digital Subscriber Line Access Multiplexers) and line conditioning.

2.1.3 The provisioning of service to a CLEC's collocation space will require cross-office cabling and cross-connections within the central office to connect the loop to a local switch or to other transmission equipment. These cross-connects are a separate component, that are not considered a part of the loop, and thus, have a separate charge.

2.1.4 BellSouth Order Coordination referenced in Attachment 2 includes two types: "Order Coordination" (OC) and "Order Coordination - Time Specific" (OC-TS).

2.1.5 "Order Coordination" refers to standard BellSouth service order coordination involving the reuse of facilities where Actel is requesting that their loop order be provisioned over an existing circuit that is currently providing service to the end user. Order coordination for physical conversions will be scheduled at BellSouth's discretion during normal working hours on the committed due date and Actel will be advised. OC will be provided as a standard item on SL2 voice grade loops and all Unbundled Digital Loops (UDLs). OC will be provided as a chargeable option on SL1 voice grade loops, and all Unbundled Copper Loops.

2.1.6 "Order Coordination – Time Specific" refers to service order coordination in which Actel requests a specific time for a service order conversion to take place. BellSouth will make every effort to accommodate Actel's specific conversion time request. However, BellSouth reserves the right to negotiate with Actel a conversion time based on load and appointment control when necessary. Loops on a single service order of 14 or more loops will be provisioned on a project basis. This is a chargeable option for any coordinated order and is billed in addition to the OC charge. Actel may specify a time between 9:00 a.m. and 4:00 p.m. (location time) Monday through Friday (excluding holidays). If Actel specifies a

time outside this window, or selects a time or quantity of loops that requires BellSouth technicians to work outside normal work hours, overtime charges will apply in addition to the OC and OC-TS charges. Overtime charges will be applied according to actual costs based on type of force group required to perform the work, overtime hours worked and any special circumstances.

If Actel requests work to be done for any UNE loop that requires BellSouth technicians to work outside normal work hours, overtime charges will be applied according to actual costs based on type of force group required to perform the work, overtime hours worked and any special circumstances.

| | Order Coordination (OC) | Order Coordination – Time Specific (OC-TS) | Test Points | DLR | Charge for Dispatch and Testing if No Trouble Found |
|-------------------------------|--------------------------------|--|------------------------------|---|--|
| SL-1 | Chargeable option | Chargeable Option* | Not available | Chargeable Option – ordered as Engineering Information Document | Charged for Dispatch inside & outside Central Office |
| SL-2 | Included | Chargeable Option* | Included | Included | Charged for Dispatch outside Central Office |
| Unbundled Digital Loop | Included | Chargeable Option* (except on Universal Digital Channel) | Included (where appropriate) | Included | Charged for Dispatch outside Central Office |
| Unbundled Copper Loop | Chargeable Option | Not available | Included | Included | Charged for Dispatch outside Central Office |

*Order Coordination-Time Specific charge for orders due on same day at same location will be applied on a per LSR basis. For UVL-SL1, Actel must order OC when requesting OC-TS.

2.1.7 Where facilities are available, BellSouth will install loops in compliance with BellSouth's Interval Guide available at the website at <http://www.interconnection.bellsouth.com>. For orders of 14 or more loops, the installation will be handled on a project basis and the intervals will be set by the BellSouth project manager for that order. Some loops require a Service Inquiry (SI) to determine if facilities are available prior to issuing the order. The interval for the SI process is separate from the installation interval. For expedite requests by Actel, expedite charges will apply for intervals less than 5 days. The charges

outlined in BellSouth's FCC No. 1 Tariff, Section 5, will apply. If Actel cancels an order for network elements and other services, any costs incurred by BellSouth in conjunction with the provisioning of that order will be recovered in accordance with FCC No. 1 Tariff, Section 5.

- 2.1.8 If Actel modifies an order after being sent a Firm Order Confirmation (FOC) from BellSouth, any costs incurred by BellSouth to accommodate the modification will be paid by Actel.
- 2.1.9 BellSouth will offer Unbundled Voice Loops (UVL) in two different service levels - Service Level One (SL1) and Service Level Two (SL2).
- 2.1.10 SL1 loops are 2-wire loop start circuits, will be non-designed, and will not have remote access test points. OC will be offered as a chargeable option on SL1 loops when reuse of existing facilities has been requested by Actel. Actel may also order OC-TS when a specified conversion time is requested. OC-TS is a chargeable option for any coordinated order and is billed in addition to the OC charge. An Engineering Information (EI) document can be ordered as chargeable option. The EI document provides loop make up information which is similar to the information normally provided in a Design Layout Record. Upon issuance of a non-coordinated order in the service order system, SL1 loops will be activated on the due date in the same manner and time frames that BellSouth normally activates POTS-type loops for its customers.
- 2.1.11 SL2 loops may be 2-wire or 4-wire circuits, shall have remote access test points, and will be designed with a design layout record provided to Actel. SL2 circuits can be provisioned with loop start, ground start or reverse battery signaling. OC is provided as a standard feature on SL2 loops. The OC feature will allow Actel to coordinate the installation of the loop with the disconnect of an existing customer's service and/or number portability service. In these cases, BellSouth will perform the order conversion with standard order coordination at its discretion during normal work hours.
- 2.1.12 BellSouth will also offer Unbundled Digital Loops (UDL) to Actel.
- 2.1.12.1 UDLs are service specific and will be designed, will be provisioned with test points (where appropriate), and will come standard with OC and a DLR. The various UDLs are intended to support a specific digital transmission scheme or service. The UDL loops are as follows:
- 2.1.12.2 UDC/IDSL. Due to technical limitations associated with certain Digital Loop Carrier (DLC) systems, some ISDN-capable loops that are provisioned using DLC systems may not support Integrated Digital Subscriber Line (IDSL) service. BellSouth will not reconfigure its ISDN-capable loop to support IDSL service.

- 2.1.12.3 Instead, BellSouth agrees to offer the Universal Digital Channel (UDC), which may also be referred to as an IDSL-capable loop as part of its UDL offerings. The UDC loop is intended to be compatible with IDSL service and has the same physical characteristics and transmission specifications as BellSouth's ISDN-capable loop. These specifications are listed in BellSouth's TR73600.
- 2.1.12.4 Like the ISDN-capable loop, the UDC may be provisioned on copper or through a DLC system. However, when UDCs are provisioned using a DLC system, BellSouth will ensure that they are only provisioned on time slots that are compatible with data-only services such as IDSL.
- 2.1.12.5 HDSL-capable. This is a designed loop that is provisioned according to Carrier Serving Area (CSA) criteria and may be up to 12,000 feet long and may have up to 2,500 feet of bridged tap (inclusive of loop length). It may be a 2-wire or 4-wire circuit and will come standard with a test point, Order Coordination, and a DLR.
- 2.1.12.6 ADSL-capable. This is a designed loop that is provisioned according to Revised Resistance Design (RRD) criteria and may be up to 18kft long and may have up to 6kft of bridged tap (inclusive of loop length). It may be a 2-wire or 4-wire circuit and will come standard with a test point, Order Coordination, and a DLR.
- 2.1.12.7 DS1. This is a designed 4-wire loop that is provisioned according to industry standards for DS1 or Primary Rate ISDN services and will come standard with a test point, Order Coordination, and a DLR.
- 2.1.12.8 DS0. These are designed 4-wire loops that may be configured as 64kbps, 56kbps, 19kbps, and other sub-rate speeds associated with digital data services and will come standard with a test point, Order Coordination, and a DLR.
- 2.1.13 As a chargeable option on all loops except the Universal Digital Channel (UDC) and all Unbundled Copper Loops (UCL), BellSouth will offer OC-TS. This will allow Actel the ability to specify the time that the coordinated conversion takes place. The OC-TS charge for orders due on the same day at the same location will be applied on a per Local Service Request (LSR) basis.
- 2.1.14 In addition to the UVLs and UDLs, BellSouth shall make available Unbundled Copper Loops (UCLs). The UCL will be a copper twisted pair loop that is unencumbered by any intervening equipment (e.g., filters, load coils, range extenders, digital loop carrier, or repeaters). The UCL will be offered in two versions - Short and Long. A short UCL (18 kft or less) will be provisioned according to Resistance Design parameters, may have up to 6kft of bridged tap and will have up to 1300 ohms of resistance. The long UCL (beyond 18kft) will be any dry copper pair longer than 18kft and may have up to 12kft of bridged tap and up to 2800 ohms of resistance. Unbundled Loop Modifications (ULM) may

be used when a CLEC wants to condition copper loops by removing load coils and other intervening equipment. In almost every case, the UCL long will require ULM to remove load coils. BellSouth will only ensure electrical continuity and balance relative to tip and ring on UCLs.

- 2.1.15 The UCL is a designed circuit, is provisioned with a test point and comes standard with a DLR. OC will be offered as a chargeable option on all UCL loops. OC is required on UCLs where a reuse of existing facilities has been requested by Actel. Order Coordination – Time Specific (OC-TS) will not be offered on UCLs.
- 2.1.16 The UCL is a dry copper loop and is not intended to support any particular telecommunications service. Actel may use the UCL loop for a variety of services, including xDSL (e.g., ADSL and HDSL) services, by attaching appropriate terminal equipment of Actel's choosing. Actel will determine the type of service that will be provided over the loop.
- 2.1.17 Because the UCL loop shall be an unbundled loop offering that is separate and distinct from BellSouth's ADSL and HDSL capable loop offerings, Actel agrees that BellSouth's UCL loop will not be held to the service level and performance expectations that apply to its ADSL and HDSL unbundled loop offerings. BellSouth shall only be obligated to maintain copper continuity and provide balance relative to tip and ring on UCL loops.
- 2.1.18 All UNE loops offered by BellSouth shall be provided to Actel in accordance with BellSouth's Technical Reference 73600.
- 2.1.19 Actel will be responsible for testing and isolating troubles on the loops. Once Actel has isolated a trouble to the BellSouth provided loop, Actel will issue a trouble to BellSouth on the loop. BellSouth will take the actions necessary to repair the loop if a trouble actually exists. BellSouth will repair these loops in the same time frames that BellSouth repairs similarly situated loops to its customers.
- 2.1.20 If Actel reports a trouble on SL1 loops and no trouble actually exists, BellSouth will charge Actel for any dispatching and testing (both inside and outside the CO) required by BellSouth in order to confirm the loop's working status.
- 2.1.21 CLEC must test and isolate trouble to the BellSouth portion of the SL2 loop before reporting repair to UNE Center. At the time of the trouble report, Actel will be required to provide the results of the CLEC test which indicate a problem on the BellSouth provided loop. If Actel reports a trouble on SL2 loops and no trouble actually exists, BellSouth will charge Actel for any dispatching and testing, (outside the CO) required by BellSouth in order to confirm the loop's working status.
- 2.1.22 Technical Requirements

- 2.1.22.1 To the extent available within BellSouth's Network at a particular location, BellSouth will offer loops capable of supporting telecommunications services such as: POTS, Centrex, basic rate ISDN, analog PBX, voice grade private line, ADSL, HDSL, DS1 and digital data (up to 64 kb/s). If a requested loop type is not available, then the CLEC can use the Special Construction process to request that BellSouth place facilities or otherwise modify facilities in order to meet Actel's request.
- 2.1.22.2 Actel will be responsible for providing BellSouth with a Service Profile Identifier (SPID) associated with a particular ISDN-capable loop and end user. With the SPID, BellSouth will be able to adequately test the circuit and ensure that it properly supports ISDN service.
- 2.1.22.3 The loop will support the transmission, signaling, performance and interface requirements of the services described in 2.1.2 above. It is recognized that the requirements of different services are different, and that a number of types or grades of loops are required to support these services. Services provided over the loop by Actel will be consistent with industry standards and BellSouth's TR73600.
- 2.1.22.4 Actel may utilize the unbundled loops to provide any telecommunication service it wishes. However, BellSouth will only provision, maintain and repair the loops to the standards that are consistent with the type of loop ordered. For example, if Actel orders an ISDN-capable loop but wants to use the loop for a service other than ISDN, BellSouth will only support that the loop is capable of providing ISDN service. For non-service specific loops (e.g. UCL, loops modified by Actel using the Special Construction process), BellSouth will only support that the loop has copper continuity and balanced tip-and-ring.
- 2.1.22.5 In some instances, Actel will require access to a copper twisted pair loop unfettered by any intervening equipment (e.g., filters, load coils, range extenders, etc.), so that Actel can use the loop for a variety of services by attaching appropriate terminal equipment at the ends. Actel will determine the type of service that will be provided over the loop. In some cases, Actel may be required to pay additional charges for the removal of certain types of equipment. BellSouth's Unbundled Loop Modifications (ULM) process will be used to determine the costs and feasibility of these activities.
- 2.1.22.6 In those cases where Actel has requested that BellSouth modify a loop so that it no longer meets the technical parameters of the original loop type (e.g., voice grade, ISDN, ADSL, etc.) the resulting modified loop will be ordered and maintained as a UCL.
- 2.1.22.7 The loop shall be provided to Actel in accordance with BellSouth's TR73600 Unbundled Local Loop Technical Specification and applicable industry standard technical references.

- 2.2 **Unbundled Loop Modifications (Line Conditioning)**
- 2.2.1 Subject to applicable and effective FCC rules and orders, BellSouth shall condition loops, as requested by Actel, whether or not BellSouth offers advanced services to the End User on that loop.
- 2.2.2 Loop conditioning is defined as the removal from the loop of any devices that may diminish the capability of the loop to deliver high-speed switched wireline telecommunications capability, including xDSL service. Such devices include, but are not limited to, load coils, bridge taps, low pass filters, and range extenders.
- 2.2.3 The Unbundled Loop Modifications (ULM) offering provides the following elements: 1) removal of equipment on loops equal to or less than 18kft; 2) removal of equipment of loops longer than 18kft; and 3) removal of bridged-taps on loops of any length.
- 2.2.4 BellSouth shall recover the cost of line conditioning requested by Actel through a recurring charge and/or nonrecurring charge(s) in accordance with the FCC's forward-looking pricing principles promulgated pursuant to Section 252 (d) (1) of the Act and in compliance with FCC Rule 52.507 (e).
- 2.3 **Integrated Digital Loop Carriers**
- 2.3.1 Where BellSouth uses Integrated Digital Loop Carrier (IDLC) systems to provide the local loop and BellSouth has a suitable alternate facility available, BellSouth will make arrangements to permit Actel to order a contiguous local loop. To the extent it is technically feasible, these arrangements will provide Actel with the capability to serve end users at a level that is at parity with the level of service BellSouth provides its customers. If no alternate facility is available, BellSouth will utilize its Special Construction (SC) process to determine the additional costs required to provision the loop facilities. Actel will then have the option of paying the SC rates to place the loop facilities or Actel may chose some other method of providing service to the end-user (e.g., Resale, private facilities, etc.).
- 2.4 **Network Interface Device**
- 2.4.1 Definition
- The NID is defined as any means of interconnection of end-user customer inside wire to BellSouth's distribution plant, such as a cross-connect device used for that purpose. The NID is a single-line termination device or that portion of a multiple-line termination device required to terminate a single line or circuit at the premises. The NID features two independent chambers or divisions that separate the service provider's network from the End User's on-premises wiring. Each chamber or division contains the appropriate connection points or posts to which the service provider and the end user each make their connections. The NID

provides a protective ground connection and is capable of terminating cables such as twisted pair cable.

2.4.2 BellSouth shall permit Actel to connect Actel's loop facilities the end-user's inside wire through the BellSouth NID or at any other technically feasible point.

2.4.3 Access to Network Interface Device (NID)

2.4.3.1 Due to the wide variety of NIDs utilized by BellSouth (based on subscriber size and environmental considerations), Actel may access the end user's wire by any of the following means: 1) BellSouth shall allow Actel to connect its loops directly to BellSouth's multi-line residential NID enclosures that have additional space and are not used by BellSouth or any other telecommunications carriers to provide service to the premise. It is the responsibility of Actel to leave undisturbed the existing form of electrical protection and to maintain the physical integrity of the NID; 2) Where an adequate length of the end user's inside wire is present and environmental conditions permit, either Party may remove the inside wire from the other Party's NID and connect that wire to that Party's own NID; 3) Enter the subscriber access chamber or "side" of "dual chamber" NID enclosures for the purpose of extending a connecterized or spliced jumper wire from the inside wiring through a suitable "punch-out" hole of such NID enclosures; or 4) Request BellSouth to make other rearrangements to the inside wiring terminations or terminal enclosure on a time and materials cost basis to be charged to the requesting Party (i.e., Actel, its agent, the building owner or the subscriber). Such charges will be billed to the requesting Party.

2.4.3.2 In no case shall either Party remove or disconnect the other Party's loop facilities from either Party's NIDs, enclosures, or protectors unless the applicable Commission has expressly permitted the same and the disconnecting Party provides prior notice to the other Party. In such cases, it shall be the responsibility of the Party disconnecting loop facilities to leave undisturbed the existing form of electrical protection and to maintain the physical integrity of the NID. It will be the CLEC's responsibility to ensure there is no safety hazard and will hold BellSouth harmless for any liability associated with the removal of the BellSouth loop from the BellSouth NID. Furthermore, it shall be the responsibility of the disconnecting Party, once the other Party's loop has been disconnected from the NID, to reconnect the disconnected loop to a nationally- recognized-testing-laboratory-listed station protector, which has been grounded as per Article 800 of the National Electrical Code. If no spare station protector exists in the NID, the disconnected loop must be appropriately cleared, capped and stored. If CLEC does not wish to accept these responsibilities, other options exist in which BellSouth installs a NID for the CLEC as a chargeable option. 2.4.3.3 In no case shall either Party remove or disconnect ground wires from BellSouth's NIDs, enclosures, or protectors. 2.4.3.4 In no case shall either Party remove or disconnect NID modules, protectors, or terminals from BellSouth's NID enclosures.

Technical Requirements

2.4.3.3 The NID shall provide an accessible point of interconnection and shall maintain a connection to ground.

2.4.3.4 If an existing NID is accessed, it shall be capable of transferring electrical analog or digital signals between the subscriber's inside wiring and the Distribution Media and/or cross connect to Actel's NID

2.4.3.5 Where a BellSouth NID exists, it is provided in its "as is" condition. Actel may request BellSouth do additional work to the NID on a time and material basis.. When Actel deploys its own local loops with respect to multiple-line termination devices, Actel shall specify the quantity of NIDs connections that it requires within such device.

2.4.4 Interface Requirements

2.4.4.1 The NID shall be equal to or better than all of the requirements for NIDs set forth in the applicable industry standard technical references.

2.5 **Unbundled Loop Concentration (ULC) System**

2.5.1 BellSouth will provide to Actel Unbundled Loop Concentration (ULC). Loop concentration systems in the central office concentrate the signals transmitted over local loops onto a digital loop carrier system. The concentration device is placed inside a BellSouth central office. BellSouth will offer ULC with a TR008 interface or a TR303 interface.

2.5.2 ULC will be offered in two sizes. System A will allow up to 96 BellSouth loops to be concentrated onto multiple DS1s. The high-speed connection from the concentrator will be at the electrical DS1 level and will connect to Actel at Actel's collocation site. System B will allow up to 192 BellSouth loops to be concentrated onto multiple DS1s. System A may be upgraded to a System B. A minimum of two DS1s is required for each system (i.e., System A requires two DS1s and System B would require an additional two DS1s or four in total). All DS1 interfaces will terminate to the CLEC's collocation space. ULC service is offered with concentration (2 DS1s for 96 channels) or without concentration (4 DS1s for 96 channels) and with or without protection. A Line Interface element will be required for each loop that is terminated onto the ULC system. Rates for ULC are as set forth in this Attachment.

2.6 **Sub-loop Elements**

2.6.1 Where facilities permit and subject to applicable and effective FCC rules and orders, BellSouth shall offer access to its Unbundled Sub Loop (USL) and Unbundled Sub-loop Concentration (USLC) System. BellSouth shall provide non-discriminatory access, in accordance with FCC Rule 51.311 and Section 251(c) (3) of the Act, to the sub-loop on an unbundled basis and pursuant to the following terms and conditions and the rates approved by the Commission and set forth in this Attachment.

- 2.6.2 Sub-loop components include but are not limited to the following:
 - 2.6.2.1 Unbundled Sub-Loop Distribution;
 - 2.6.2.2 Unbundled Sub-Loop Concentration/Multiplexing Functionality; and
 - 2.6.2.3 Unbundled Sub-Loop Feeder.
- 2.7 **Unbundled Sub-Loop (distribution facilities)**
 - 2.7.1 **Definition**
 - 2.7.1.1 Subject to applicable and effective FCC rules and orders, the unbundled sub-loop distribution facility is dedicated transmission facility that BellSouth provides from a customer's point of demarcation to a BellSouth cross-connect device. The BellSouth cross-connect device may be located within a remote terminal (RT) or a stand-alone cross-box in the field or in the equipment room of a building. The unbundled sub-loop distribution media is a copper twisted pair that can be provisioned as a 2 Wire or 4 Wire facility. Following are the current sub-loop distribution offerings:
 - 2.7.1.1.1 Voice grade Unbundled Sub-Loop Distribution (USL-D) is a sub-loop facility from the cross-box in the field up to and including the point of demarcation, at the end user's premises.
 - 2.7.1.1.2 Unbundled Sub-Loop distribution facilities were originally built as part of the entire voice grade loop from the BellSouth central office to the customer network interface. Therefore, the voice grade Unbundled Sub-Loop may have load coils, which are necessary for transmission of voice grade services.
 - 2.7.1.1.3 Unbundled Copper Sub-Loop (UCSL) is a non-loaded copper facility of any length provided from the cross-box in the field up to and including the end-user's point of demarcation.
 - 2.7.1.1.3.1 If available, this facility will not have any intervening equipment such as load coils between the end-user and the cross-box.
 - 2.7.2 If Actel requests a UCSL and a non-loaded pair is not available, Actel may order Unbundled Sub-Loop Modification to remove load coils and/or bridge tap from an existing sub-loop facility. If load coils are removed from an existing sub-loop, that sub-loop will be classified as a UCSL. Actel may order Loop Make-up to determine what loop modifications will be required.
 - 2.7.3 Unbundled Sub-Loop distribution facilities shall support functions associated with provisioning, maintenance and testing of the Unbundled Sub-Loop. For access to Voice Grade USL-D and UCSL, Actel would be required to deliver a cable to the BellSouth remote terminal or cross-box in the field to provide continuity to

Actel's feeder facilities. This cable would be connected, by a BellSouth technician, within the BellSouth RT/cross-box during the set-up process. Actel's cable pairs can then be connected to BellSouth's USL within the BellSouth cross-box by the BellSouth technician.

- 2.7.4 Unbundled Sub-Loop – Intrabuilding Network Cable (USL-INC) (a.k.a. riser cable) is the distribution facility inside a subscriber's building or between buildings on one customer's same premises (continuous property not separated by a public street or road). USL-INC includes the facility from the cross-connect device in the building equipment room up to and including the point of demarcation, at the end user's premises.
- 2.7.4.1 In a scenario that requires connection in a building equipment room, BellSouth will install a cross connect panel for the purpose of accessing USL-INC pairs. The cross-connect panel will function as a single point of interconnection (SPOI) for USL-INC and will be accessible by multiple carriers as space permits. BellSouth will place cross-connect blocks in 25-pair increments for Actel's use on this cross-connect panel. Actel will be responsible for connecting its facilities to the 25-pair cross-connect block(s).
- 2.7.5 BellSouth will provide Unbundled Sub-Loops where possible. Through the firm order Service Inquiry (SI) process, BellSouth will determine if it is feasible to place the required facilities where Actel has requested access to Unbundled Sub-Loops. If existing capacity is sufficient to meet the CLEC demand, then BellSouth will perform the set-up work as described in Section 2.7.6. If any work must be done to modify existing BellSouth facilities or add new facilities (other than adding the cross-connect panel in a building equipment room as noted in Section 2.7) to accommodate Actel's request for Unbundled Sub-Loops, Actel may request BellSouth's Special Construction (SC) process to determine additional costs required to provision the Unbundled Sub-Loops. Actel will have the option of paying the SC charges to modify the BellSouth facilities.
- 2.7.6 Set-up work must be completed before Actel can order sub-loop pairs. During the set-up in a BellSouth cross-connect box in the field, the BellSouth technician will perform the necessary work to splice the CLEC's cable into the cross-connect box. For the set-up inside a building equipment room, BellSouth will perform the necessary work to install the cross-connect panel and the connecting block(s) that will be used to provide access to the requested USLs.
- 2.7.6.1 Once the set-up is complete, the CLEC will request sub-loop pairs through submission of a Local Service Request (LSR) form to the Local Carrier Service Center (LCSC). Order Coordination is required with USL pair provisioning when Actel requests reuse of an existing facility and is in addition to the USL pair rate. For expedite requests by Actel for sub-loop pairs, expedite charges will apply for intervals less than 5 days.

- 2.7.6.2 Unbundled Sub-Loop shall be equal to or better than each of the applicable requirements set forth in the applicable industry standard technical references.
- 2.7.6.3 Unbundled Sub-Loops will be provided in accordance with technical reference TR73600.
- 2.8 **Unbundled Network Terminating Wire (UNTW)**
- 2.8.1 BellSouth agrees to offer its Unbundled Network Terminating Wire (UNTW) to Actel pursuant to the following terms and conditions at rates as set forth in this Attachment.
- 2.8.2 **Definition**
- 2.8.2.1 Subject to applicable and effective FCC rules and orders, UNTW is a dedicated transmission facility that BellSouth provides from the Wiring Closet /Garden Terminal (or other type of cross-connect point) at the point of termination of BellSouth's loop distribution facilities to the end user's point of demarcation. UNTW is the final portion of the loop owned by BellSouth.
- 2.8.3 **Requirements**
- 2.8.3.1 On a multi-unit premises where Provisioning Party owns the network terminating wire, and by request of Requesting Party, Provisioning Party will provide access to UNTW pairs on an Access Terminal that is suitable for use by multiple carriers at each Garden Terminal or Wiring Closet.
- 2.8.3.2 In new construction where possible, both Parties may at their option and with the property owner's agreement install their own Network Terminating Wire (NTW). In existing construction, the Provisioning Party shall not be required to install new or additional NTW beyond existing NTW to provision the services of the Requesting Party.
- 2.8.3.3 Upon notice from the Requesting Party to the Provisioning Party that the Requesting Party desires access to the Provisioning Party's UNTW pairs in a multi-unit premises, representatives of both Parties will participate in a meeting at the site of the requested access. The purpose of the site visit will include discussion of the procedures for Access Terminal installation, location and addresses of the Access Terminals and to discuss an estimated completion date. Upon completion of site visit, the Requesting Party will submit a Service Inquiry (SI) to the person or organization designated by the Provisioning Party to receive the SI. The SI will initiate the work for the Provisioning Party to begin the Access Terminal installation. In multi-tenant unit (MTU) scenarios, Provisioning Party will provide access to UNTW pairs on an Access Terminal(s). By request of the Requesting Party, an Access Terminal will be installed either adjacent to each Provisioning Party's Garden Terminal or inside each Wiring Closet on the requested MTU. All the UNTW pairs served by a Garden Terminal/Wiring Closet

will be made available on the Access Terminals. Requesting Party will deliver and connect its central office facilities to the UNTW pairs within the Access Terminal. Requesting Party may access any available pair on an Access Terminal unless the Provisioning Party or another service provider is using the pair to concurrently provide service. Prior to connecting Requesting Party's service on a pair previously used by Provisioning Party, Requesting Party is responsible for ensuring the end-user is no longer using Provisioning Party's service or another CLEC's service before accessing UNTW pairs.

- 2.8.3.4 Access Terminal installation intervals will be established on an individual case basis.
- 2.8.3.5 Requesting Party is responsible for obtaining the property owner's permission for Provisioning Party to install an Access Terminal(s) on behalf of the Requesting Party. The submission of the SI by the Requesting Party will serve as certification by the Requesting Party that such permission has been obtained. If the property owner objects to Access Terminal installations that are in progress or subsequent to completion and demands removal of Access Terminals, Actel will be responsible for costs associated with removing Access Terminals and restoring property to original state prior to Access Terminals being installed.
- 2.8.3.6 Requesting Party will be billed for non-recurring and recurring charges for accessing UNTW pairs at the time the Requesting Party activates the pair(s). Actel will report use of the UNTW pairs on a Local Service Request (LSR) form submitted to BellSouth's Local Carrier Service Center (LCSC).
- 2.8.3.7 Requesting Party will isolate and report repair problems to the UNE center. Requesting Party must tag the UNTW pair that requires repair. If Provisioning Party dispatches a technician on a reported trouble call and no UNTW trouble is found, Provisioning Party will charge Requesting Party for time spent on the dispatch and testing the UNTW pair(s).
- 2.8.3.8 If Requesting Party initiates the Access Terminal installation and the Requesting Party has not activated at least one pair on the Access Terminal installed pursuant to Requesting Party's request for an Access Terminal within 6 months of installation of the Access Terminal, Provisioning Party will bill Requesting Party a non-recurring charge equal to the actual cost of provisioning the Access Terminal.
- 2.8.3.9 If Provisioning Party determines that Requesting Party is using the UNTW pairs without reporting such usage to BellSouth, the following charges shall apply in addition to any fines which may be established by state commissions and any other remedies at law or in equity available to the Provisioning Party:

- 2.8.3.10 If Requesting Party issued a LSR to disconnect an end-user from BellSouth in order to use a UNTW pair, Requesting Party will be billed for the use of the pair back to the disconnect order date.
- 2.8.3.11 If Requesting Party activated a UNTW pair on which Provisioning Party was not previously providing service, Requesting Party will be billed for the use of that pair back to the date the end-user began receiving service using that pair. Upon request, Requesting Party will provide copies of its billing record to substantiate such date. If Requesting Party fails to provide such records, then Provisioning Party will bill the Requesting Party back to the date of the Access Terminal installation.
- 2.9 **Unbundled Sub-Loop Concentration System (USLC)**
- 2.9.1 Where facilities permit and where necessary to comply with an effective Commission order, BellSouth will provide Actel with the ability to concentrate its sub-loops onto multiple DS1s back to the BellSouth Central Office. The DS1s will then be terminated into Actel's collocation space. TR-008 and TR303 interface standards are available.
- 2.9.2 USLC, using the Lucent Series 5 equipment, will be offered in two different systems. System A will allow up to 96 of Actel's sub-loops to be concentrated onto multiple DS1s. System B will allow an additional 96 of Actel's sub-loops to be concentrated onto multiple DS1s. One System A may be supplemented with one System B and they both must be physically located in a single Series 5 dual channel bank. A minimum of two DS1s is required for each system (i.e., System A requires two DS1s and System B would require an additional two DS1s or four in total). The DS1 level facility that connects the RT site with the serving wire center is known as a Feeder Interface. All DS1 Feeder Interfaces will terminate to the CLEC's collocation space within the SWC that serves the RT where the CLEC's sub-loops are connected. USLC service is offered with or without concentration and with or without a protection DS1.
- 2.9.3 In these scenarios Actel would be required to place a cross-box, remote terminal (RT), or other similar device and deliver a cable to the BellSouth RT. This cable would be connected, by a BellSouth technician, to a cross-connect panel within the BellSouth RT/cross-box and would allow Actel's sub-loops to then be placed on the ULSC and transported to their collocation space at a DS1 level.
- 2.10 **Unbundled Sub-Loop Feeder**
- 2.10.2 **Definition**
- 2.10.2.1 Unbundled Sub-Loop Feeder (USLF) provides connectivity between BellSouth's central office and its cross-box (or other access point) that serves an end user location.

- 2.10.3 USLF is intended to be utilized for voice traffic and can be configured as 2-wire voice (USLF-2W/V) or 4-wire voice (USLF-4W/V).
- 2.10.4 USLF can also be utilized for digital traffic and can be configured as 2-wire ISDN (USLF-2W/I); 2-wire Copper (USLF-2W/C); 4-wire Copper (USLF-4W/C) facilities: 4-wire DS0 level loop (USLF-4W/D0); or 4-wire DS1 and ISDN (USLF-4W/DI).
- 2.10.5 USLF will provide the facilities needed to provision a 2W or 4W communications pathway from the BellSouth central office to the BellSouth cross-box. This element will allow for the connection of Actel's loop distribution elements onto BellSouth's feeder system.
- 2.10.6 **Requirements**
 - 2.10.6.1 Actel will extend its compatible cable to BellSouth's cross-box. The cable will then be connected to a panel inside the BellSouth cross-box to the requested level of feeder element. In those cases when there is no room in the BellSouth cross-box to accommodate the additional cross-connect panels mentioned above, BellSouth will utilize its Special Construction process to determine the costs to provide the sub-loop feeder element to Actel. Actel will then have the option of paying the special construction charges or canceling the order.
 - 2.10.6.2 USLF will be a designed circuit and BellSouth will provide a Design Layout Record (DLR) for this element.
 - 2.10.6.3 BellSouth will provide USLF elements in accordance with applicable industry standards for these types of facilities. Where industry standards do not exist, BellSouth's TR73600 will be used to determine performance parameters.
- 2.11 **Dark Fiber**
 - 2.11.1 **Definition**
 - 2.11.1.1 Dark Fiber is optical transmission facilities without attached signal regeneration, multiplexing, aggregation or other electronics that connects two points within BellSouth's network. Dark Fiber is unused strands of optical fiber. It may be strands of optical fiber existing in aerial or underground structure. No line terminating elements terminated to such strands to operationalize its transmission capabilities will be available.
 - 2.11.2 **Requirements**
 - 2.11.2.1 BellSouth shall make available Dark Fiber where it exists in BellSouth's network and where, as a result of future building or deployment, it becomes available. In

the event BellSouth advises Actel that no facilities are available as a result of planned use within a two-year period, upon request of Actel, BellSouth shall make available for Actel's review such plans, which are subject to the confidentiality section of the General Terms and Conditions of this Agreement.

2.11.2.2 If the requested dark fiber has any lightwave repeater equipment interspliced to it, BellSouth will remove such equipment at Actel's request subject to time and materials charges.

2.11.2.3 Actel may test the quality of the Dark Fiber to confirm its usability and performance specifications.

2.11.2.4 BellSouth shall use its best efforts to provide to Actel information regarding the location, availability and performance of Dark Fiber within ten (10) business days for a records-based answer and twenty (20) business days for a field-based answer, after receiving a request from Actel ("Request"). Within such time period, BellSouth shall send written confirmation of availability of the Dark Fiber ("Confirmation"). From the time of the Request to one hundred and twenty (120) days after Confirmation, BellSouth shall hold such requested Dark Fiber for Actel's use and may not allow any other Party to use such media, including BellSouth. If a Dark Fiber firm order is not received within the one hundred and twenty day period, the fiber will revert to BellSouth's Dark Fiber inventory.

2.11.2.5 BellSouth shall use its best efforts to make Dark Fiber available to Actel within thirty (30) business days after it receives written confirmation from Actel that the Dark Fiber previously deemed available by BellSouth is wanted for use by Actel. This includes identification of appropriate connection points (e.g., Light Guide Interconnection (LGX) or splice points) to enable Actel to connect or splice Actel provided transmission media (e.g., optical fiber) or equipment to the Dark Fiber.

2.11.2.6 Dark Fiber shall meet the manufacturer's design specifications.

2.11.2.7 Actel may splice and test Dark Fiber obtained from BellSouth using Actel or Actel designated personnel. BellSouth shall provide appropriate interfaces to allow splicing and testing of Dark Fiber. BellSouth shall provide an excess cable length of 25 feet minimum (for fiber in underground conduit) to allow the uncoiled fiber to reach from the manhole to a splicing van.

2.12 **Rates**

The prices that Actel shall pay to BellSouth for Network Elements and Other Services are set forth in Exhibit C to this Attachment.

2.13 **Operational Support Systems (OSS)**

2.13.1 BellSouth has developed and made available the following electronic interfaces by which Actel may submit LSRs electronically.

LENS Local Exchange Navigation System
 EDI Electronic Data Interchange
 TAG Telecommunications Access Gateway

2.13.2 LSRs submitted by means of one of these electronic interfaces will incur an OSS electronic ordering charge as specified in the table below. An individual LSR will be identified for billing purposes by its Purchase Order Number (PON). LSRs submitted by means other than one of these interactive interfaces (mail, fax, courier, etc.) will incur a manual order charge as specified in the table below:

| OPERATIONAL SUPPORT SYSTEMS | AL, GA, LA, MS, NC, SC | FL, KY, TN |
|---|-----------------------------------|-------------------|
| OSS LSR charge, per LSR received from the CLEC by one of the OSS interactive interfaces | \$3.50 SOMECH | \$3.50 SOMECH |
| Incremental charge per LSR received from the CLEC by means other than one of the OSS interactive interfaces | See applicable rate element | \$19.99 SOMAN |

2.13.3 Denial/Restoral OSS Charge

2.13.3.1 In the event Actel provides a list of customers to be denied and restored, rather than an LSR, each location on the list will require a separate PON and, therefore will be billed as one LSR per location.

2.13.4 Cancellation OSS Charge

2.13.4.1 Actel will incur an OSS charge for an accepted LSR that is later canceled by Actel.

Note: Supplements or clarifications to a previously billed LSR will not incur another OSS charge.

2.13.5 Network Elements and Other Services Manual Additive

2.13.5.1 The Commissions in some states have ordered per-element manual additive non-recurring charges (NRC) for Network Elements and Other Services ordered by means other than one of the interactive interfaces. These ordered Network Elements and Other Services manual additive NRCs will apply in these states, rather than the charge per LSR. The per-element charges are listed on the Rate Tables in Exhibit C.

2.14 **Preordering Loop Makeup (LMU)**

2.14.1 **Description of Service**

2.14.1.1 BellSouth shall make available to Actel loop makeup (LMU) data for BellSouth's network facilities. This section addresses LMU as a *preordering* transaction, distinct from Actel ordering any other service(s). Loop Makeup Service Inquiries (LMUSI) for preordering loop makeup are likewise unique from other preordering functions with associated service inquiries (SI) as described in this Agreement.

2.14.1.2 BellSouth will provide Actel with loop makeup information consisting of the composition of the loop material (copper/fiber); the existence, location and type of equipment on the loop, including but not limited to digital loop carrier or other remote concentration devices, feeder/distribution interfaces, bridge taps, load coils, pair-gain devices; the loop length; and the wire gauge. The LMUSI may be utilized by Actel for the purpose of determining whether the loop requested is capable of supporting DSL service or other advanced data services. The determination shall be made solely by Actel and BellSouth shall not be liable in any way for the performance of the advanced data services provisioned over said loop.

2.14.1.3 BellSouth's LMU information is provided to Actel as it exists either in BellSouth's databases or in its hard copy facility records. BellSouth does not guarantee accuracy or reliability of the LMU information provided.

2.14.1.4 BellSouth offers LMU information for the sole purpose of allowing Actel to determine whether, in Actel's judgment, BellSouth's loops will support the specific services that Actel wishes to provide over those loops. Actel may choose to use equipment that it deems will enable it to provide a certain type and level of service over a particular BellSouth loop; however, such configurations may not match BellSouth's or the industry's standards and specifications for the intended type and level of service. Accordingly, Actel shall be responsible for insuring that the specific loop type (ADSL, HDSL, or otherwise) ordered on the LSR matches the LMU of the facility requested. Actel bears full responsibility for being knowledgeable of BellSouth's technical standards and the specifications of BellSouth's loops. Actel bears full responsibility for making the appropriate ordering decisions of matching BellSouth loops with Actel's equipment for accomplishing Actel's end goal for the intended service it wishes to provide its end-user(s). Actel is fully responsible for any of its service configurations that may differ from BellSouth's technical standard for the loop type ordered.

2.14.2 **Submitting Loop Makeup Service Inquiries**

2.14.2.1 Actel will be able to obtain LMU information by submitting a LMUSI mechanically or manually. **Mechanized** LMUSIs should be submitted through BellSouth's Operational Support Systems interfaces. After obtaining the resulting

loop data from the mechanized LMUSI process, if Actel determines that it needs further loop data information in order to make a determination of loop service capability, Actel may initiate a separate manual SI for a separate nonrecurring charge as set forth in Section 2.14.3. Mechanized LMU has been made available for limited deployment to those CLECs that have effective X-Digital Subscriber Line (xDSL) Beta Test Agreements in place with BellSouth. CLECs will be notified once a successful Beta Test has been completed, and mechanized LMU shall then be available to Actel.

- 2.14.2.2 **Manual LMUSIs shall be submitted on the preordering manual LMUSI form by means of fax or electronic-mail to BellSouth's Complex Resale Support Group (CRSG)/Account Team utilizing the Preordering Loop Makeup Service Inquiry form. The standard service interval for the return of a Loop Makeup Manual Service Inquiry is seven business days. This service interval is distinct from the interval applied to the subsequent service order. Manual LMUSIs are not subject to expedite requests.**
- 2.14.3 **LMUSI Types and Associated Charges**
- Actel may request LMU information by submitting LMUSIs in accordance with the rate elements in Exhibit C.
- 2.14.3.1 **Actel will be assessed a nonrecurring charge for each facility queried as specified in Exhibit C. Rates for all states are interim and subject to true-up pending approval of final rates by the respective State Commissions. True-ups will be retroactive to the effective date of this Agreement.**
- 2.14.3.2 **Actel may reserve facilities for up to four (4) days in connection with a LMUSI. Reserved facilities for which Actel does not plan to place a UNE local service request (LSR) should be cancelled by Actel. Should Actel wish to cancel a reservation on a spare facility, the cancellation will require a facility reservation number (RESID/FRN).**
- 2.14.3.3 **The reservation holding timeframe is a maximum of four days from the time that BellSouth's LMU data is returned to Actel for the facility queried. During this holding time and prior to Actel's placing an LSR, the reserved facilities are rendered unavailable to other customers, whether for CLEC(s) or for BellSouth. Notwithstanding the foregoing, BellSouth does not guarantee that a reservation will assure Actel's ability to order the exact facility reserved.**
- 2.14.3.4 **If Actel does not submit an LSR for a UNE service on a reserved facility within the four-day reservation timeframe, the reservation of that spare facility will become invalid and the facility will be released.**
- 2.14.3.5 **Charges for preordering LMUSI are separate from any charges associated with ordering other services from BellSouth.**

2.14.4 **Ordering of Other UNE Services**

2.14.4.1 Whenever Actel has reserved a facility through BellSouth's preordering LMU service, should Actel seek to place a subsequent UNE LSR on a reserved facility, Actel shall provide BellSouth the RESID/FRN of the single spare facility on the appropriate UNE LSR., Actel will be billed the appropriate rate element for the specific type UNE loop ordered by Actel as set forth in this Attachment. Actel will not be billed any additional Loop Makeup charges for the loop so ordered. Should Actel choose to place a UNE LSR having previously submitted a request for *preordering LMU without a reservation*, Actel will be billed the appropriate rate element for the specific UNE loop ordered as well as additional Loop Makeup charges as set forth in this Attachment. Rates are provided in Exhibit C in this Attachment.

2.14.4.2 Where Actel submits an LSR to order facilities reserved during the LMUSI process, BellSouth will use its best efforts to assign to Actel the facility reserved as indicated on the return of the LMU. Multi-facility reservations per single RESID/FRN as provided with the mechanized LMUSI process are less likely to result in the specific assignment requested by Actel. For those occasions when BellSouth cannot assign the specific facility reserved by Actel during the LMU pre-ordering transaction, due to incomplete or incorrect information provided by Actel during the ordering process, BellSouth will assign to Actel, subject to availability, a facility that meets the BellSouth technical standards of the BellSouth type loop as ordered by Actel. If the ordered loop type is not available, Actel may utilize the Unbundled Loop Modification process or the Special Construction process, as applicable, to obtain the loop type ordered.

2.15 **Rates**

The prices that Actel shall pay to BellSouth for Network Elements and Other Services are set forth in Exhibit C to this Attachment. If Actel purchases a service(s) from a tariff, all terms and conditions and rates as set forth in such tariff shall apply.

2.16 **Operational Support Systems (OSS)**

The terms, conditions and rates for OSS are as set forth in Section 2.13 of this Attachment.

3. **High Frequency Spectrum Network Element**

3.1 **General**

- 3.1.1 BellSouth shall provide Actel access to the high frequency portion of the local loop as an unbundled network element only where BellSouth is the voice service provider to the end user ("High Frequency Spectrum") at the rates set forth in Exhibit C. BellSouth shall provide Actel with the High Frequency Spectrum irrespective of whether BellSouth chooses to offer xDSL services on the loop.
- 3.1.2 The High Frequency Spectrum is defined as the frequency range above the voiceband on a copper loop facility carrying analog circuit-switched voiceband transmissions. Access to the High Frequency Spectrum is intended to allow Actel the ability to provide Digital Subscriber Line (xDSL) data services to the end user for which BellSouth provides voice services. The High Frequency Spectrum shall be available for any version of xDSL presumed acceptable for deployment pursuant to 47 CFR Section 51.230, including, but not limited to, ADSL, HDSL, and any other xDSL technology that is presumed to be acceptable for deployment pursuant to FCC rules. BellSouth will continue to have access to the low frequency portion of the loop spectrum (from 300 Hertz to at least 3000 Hertz, and potentially up to 3400 Hertz, depending on equipment and facilities) for the purposes of providing voice service. Actel shall only use xDSL technology that is within the PSD mask parameters set forth in T1.413 or other applicable industry standards. Actel shall provision xDSL service on the High Frequency Spectrum in accordance with the applicable Technical Specifications and Standards.
- 3.1.3 The following loop requirements are necessary for Actel to be able to access the High Frequency Spectrum: an unconditioned, 2-wire copper loop. An unconditioned loop is a copper loop with no load coils, low-pass filters, range extenders, DAMLs, or similar devices and minimal bridged taps consistent with ANSI T1.413 and T1.601. BellSouth will provide Actel access to the Unbundled Loop Modification (Line Conditioning), in accordance with Section 2.2 of this Agreement. BellSouth is not required to condition a loop for access to the high frequency spectrum if conditioning of that loop significantly degrades BellSouth's voice service. If Actel requests that BellSouth condition a loop longer than 18,000 ft. and such conditioning significantly degrades the voice services on the loop, Actel shall pay for the loop to be restored to its original state.
- 3.1.4 Actel's termination point is the point of termination for Actel on the toll main distributing frame in the central office ("Termination Point"). BellSouth will use jumpers to connect Actel's connecting block to the splitter. The splitter will route the High Frequency Spectrum on the circuit to Actel's xDSL equipment in Actel's collocation space.
- 3.1.5 Actel shall have access to the splitter for test purposes, irrespective of where the splitter is placed in the BellSouth premises.
- 3.2 Provisioning of High Frequency Spectrum and Splitter Space

- 3.2.1 BellSouth will provide Actel with access to the High Frequency Spectrum as follows:
- 3.2.1.1 BellSouth will install splitters within forty-two (42) calendar days of Actel's submission of such order to the BellSouth Complex Resale Support Group; provided, however, that in the event BellSouth did not have reasonable notice that a particular central office was to have a splitter installed therein, the forty-two (42) day interval shall not apply. Collocation itself or an application for collocation will serve as reasonable notice.
- 3.2.1.2 Once a splitter is installed on behalf of Actel in a central office, Actel shall be entitled to order the High Frequency Spectrum on lines served out of that central office.
- 3.2.1.2.1 BellSouth will bill and Actel shall pay the SOMAN and SOMEK charges as described in Section 2.13 of this Agreement when Actel orders High Frequency Spectrum for end-user service.
- 3.2.1.3 BellSouth will select, purchase, install, and maintain a central office POTS splitter and provide Actel access to data ports on the splitter. At least 30 days before making a change in splitter suppliers, BellSouth will provide Actel with a carrier notification letter, informing Actel of change. Actel shall purchase ports on the splitter as set forth more fully below.
- 3.2.1.4 BellSouth will install the splitter in (i) a common area close to the Actel collocation area, if possible; or (ii) in a BellSouth relay rack as close to the Actel DS0 termination point as possible. For purposes of this section, a common area is defined as an area in the central office in which both Parties have access to a common test access point. BellSouth will cross-connect the splitter data ports to a specified Actel DS0 at such time that a Actel end user's service is established.
- 3.2.1.5 The High Frequency Spectrum shall only be available on loops on which BellSouth is also providing, and continues to provide, analog voice service directly to the end user. In the event the end-user terminates its BellSouth provided voice service for any reason, and Actel desires to continue providing xDSL service on such loop, Actel shall be required to purchase a full stand-alone loop unbundled network element. In the event BellSouth disconnects the end-user's voice service pursuant to its tariffs or applicable law, and Actel desires to continue providing xDSL service on such loop, Actel shall be permitted to continue using the line by purchasing the full stand-alone loop unbundled network element. To the extent commercially practicable, BellSouth shall give Actel notice in a reasonable time prior to disconnect, which notice shall give Actel an adequate opportunity to notify BellSouth of its intent to purchase such loop. In those cases in which BellSouth no longer provides voice service to the end user and Actel purchases the full stand-alone loop, Actel may elect the type of loop it will purchase. Actel will pay the appropriate recurring and non-recurring rates for

such loop as set forth in Exhibit C to this Attachment. In the event Actel purchases a voice grade loop, Actel acknowledges that such loop may not remain xDSL compatible.

- 3.2.1.6 Only one competitive local exchange carrier shall be permitted access to the High Frequency Spectrum of any particular loop.
- 3.3 Ordering
 - 3.3.1 To order High Frequency Spectrum on a particular loop, Actel must have a DSLAM collocated in the central office that serves the end-user of such loop. Actel may order splitters in a central office once it has installed its Digital Subscriber Line Access Multiplexer ("DSLAM") in that central office. BellSouth will install these splitters within the interval provided in paragraph 3.2.1.1.
 - 3.3.2 BellSouth will devise a splitter order form that allows Actel to order splitter ports in increments of 24 ports.
 - 3.3.2.1 BellSouth will provide Actel the Local Service Request ("LSR") format to be used when ordering the High Frequency Spectrum.
 - 3.3.3 BellSouth will provide access to the High Frequency Spectrum within the following target intervals: BellSouth will return a manual Firm Order Confirmation ("FOC") in no more than two (2) business days after receipt of a valid, error free manual LSR. When Actel submits an electronic LSR for High Frequency Spectrum, BellSouth will return a FOC in four (4) hours ninety-five percent (95%) of the time, or, for orders that do not flow-through, in two (2) business days. BellSouth will provide Actel with access to the High Frequency Spectrum at the following target intervals:
 - 3.3.3.1 For 1-5 lines at the same address within three (3) business days from BellSouth's issuance of a FOC; 6-10 lines at same address within 5 business days from BellSouth's issuance of a FOC; and more than 10 lines at the same address is to be negotiated.
 - 3.3.4 BellSouth will provide to Actel BellSouth's Loop Qualification System that BellSouth uses to qualify loops for its own ADSL offering as described below.
 - 3.3.5 BellSouth will provide Actel access to the Preordering Loop Makeup (LMU), in accordance with Section 2.14 of this Agreement. BellSouth shall bill and Actel shall pay the rates for such services, as described in Exhibit C.
- 3.4 Maintenance and Repair
 - 3.4.1 Actel shall have access, for test, repair, and maintenance purposes, to any loop as to which it has access to the High Frequency Spectrum. Actel may access the

loop at the point where the combined voice and data signal exits the central office splitter.

- 3.4.2 BellSouth will be responsible for repairing voice services and the physical line between the network interface device at the customer's premises and the Termination Point of demarcation in the central office. Actel will be responsible for repairing data services. Each Party will be responsible for maintaining its own equipment.
- 3.4.3 Actel shall inform its end users to direct data problems to Actel, unless both voice and data services are impaired, in which event the end users should call BellSouth.
- 3.4.4 Once a Party has isolated a trouble to the other Party's portion of the loop, the Party isolating the trouble shall notify the end user that the trouble is on the other Party's portion of the loop.
- 3.4.5 In the event Actel's deployment of xDSL on the High Frequency Spectrum significantly degrades the performance of other advanced services or of BellSouth's voice service on the same loop, BellSouth shall notify Actel and allow twenty-four (24) hours to cure the trouble. If Actel fails to resolve the trouble, BellSouth may discontinue Actel's access to the High Frequency Spectrum on such loop.

3.5 **Rates**

The prices that Actel shall pay to BellSouth for Network Elements and Other Services are set forth in Exhibit C to this Attachment. If Actel purchases a service(s) from a tariff, all terms and conditions and rates as set forth in such tariff shall apply.

3.6 **Operational Support Systems (OSS)**

The terms, conditions and rates for OSS are as set forth in Section 2.13 of this Attachment.

4. **Switching**

All of the negotiated rates, terms and conditions set forth in this Section pertain to the provision of local and tandem switching.

4.1 **Local Switching**

- 4.1.1 BellSouth shall provide non-discriminatory access to local circuit switching capability, and local tandem switching capability, on an unbundled basis, except as set forth below in Section 4.1.3.3 to Actel for the provision of a

telecommunications service. BellSouth shall provide non-discriminatory access to packet switching capability on an unbundled basis to Actel for the provision of a telecommunications service only in the limited circumstance described below in Section 4.4.

4.1.2 Except as otherwise provided herein, BellSouth shall not impose any restrictions on Actel regarding the use of Switching Capabilities purchased from BellSouth provided such use does not result in demonstrable harm to either the BellSouth network or personnel or the use of the BellSouth network by BellSouth or any other telecommunication carrier.

4.1.3 **Local Circuit Switching Capability, including Tandem Switching Capability**

4.1.3.1 **Definition**

Local Circuit Switching Capability is defined as: (A) line-side facilities, which include, but are not limited to, the connection between a loop termination at a main distribution frame and a switch line card; (B) trunk-side facilities, which include, but are not limited to, the connection between trunk termination at a trunk-side cross-connect panel and a switch trunk card; and (C) all features, functions, and capabilities of the switch, which include, but are not limited to: (1) the basic switching function of connecting lines to lines, line to trunks, trunks to lines, and trunks to trunks, as well as the same basic capabilities made available to BellSouth's customers, such as a telephone number, white page listings, and dial tone; and (2) all other features that the switch is capable of providing, including but not limited to customer calling, customer local area signaling service features, and Centrex, as well as any technically feasible customized routing functions provided by the switch; (D) switching provided by remote switching modules.

4.1.3.2 Notwithstanding BellSouth's general duty to unbundle local circuit switching, BellSouth shall not be required to unbundle local circuit switching for Actel when Actel serves end-users with four (4) or more voice-grade (DS-0) equivalents or lines in locations served by BellSouth's local circuit switches, which are in the following MSAs: Atlanta, GA; Miami, FL; Orlando, FL; Ft. Lauderdale, FL; Charlotte-Gastonia-Rock Hill, NC; Greensboro-Winston Salem-High Point, NC; Nashville, TN; and New Orleans, LA, and BellSouth has provided non-discriminatory cost based access to the Enhanced Extended Link (EEL) throughout Density Zone 1 as determined by NECA Tariff No. 4 as in effect on January 1, 1999.

4.1.3.3 In the event that Actel orders local circuit switching for a single end user account name at a single physical end user location with four (4) or more 2-wire voice-grade loops from a BellSouth central office in an MSA listed above, BellSouth shall charge Actel the market based rate in Exhibit C for use of the local circuit switching functionality for the affected facilities.

- 4.1.3.4 A featureless port is one that has a line port, switching facilities, and an interoffice port. A featured port is a port that includes all features then capable or a number of then capable features specifically requested by Actel. Any features that are not currently then capable but are technically feasible through the switch can be requested through the NBR/BFR process.
- 4.1.3.5 BellSouth will provide to Actel customized routing of calls: (i) to a requested directory assistance services platform; (ii) to an operator services platform pursuant to Section 10 of Attachment 2; (iii) for Actel's PIC'ed toll traffic in a two (2) PIC environment to an alternative OS/DA platform designated by Actel. Actel customers may use the same dialing arrangements as BellSouth customers.
- 4.1.3.6 Remote Switching Module functionality is included in Switching Capability. The switching capabilities used will be based on the line side features they support.
- 4.1.3.7 Switching Capability will also be capable of routing local, intraLATA, interLATA, and calls to international customer's preferred carrier; call features (e.g. call forwarding) and Centrex capabilities.
- 4.1.3.8 Where required to do so in order to comply with an effective Commission order, BellSouth will provide to Actel purchasing local BellSouth switching and reselling BellSouth local exchange service under Attachment 1, selective routing of calls to a requested directory assistance services platform or operator services platform. Actel customers may use the same dialing arrangements as BellSouth customers, but obtain a Actel branded service.
- 4.1.4 **Technical Requirements**
- 4.1.4.1 The requirements set forth in this Section apply to Local Switching, but not to the Data Switching function of Local Switching.
- 4.1.4.2 Local Switching shall be equal to or better than the requirements for Local Switching set forth in the applicable industry standard technical references.
- 4.1.4.3 When applicable, BellSouth shall route calls to the appropriate trunk or lines for call origination or termination.
- 4.1.4.4 Subject to this section, BellSouth shall route calls on a per line or per screening class basis to (1) BellSouth platforms providing Network Elements or additional requirements (2) Operator Services platforms, (3) Directory Assistance platforms, and (4) Repair Centers. Any other routing requests by Actel will be made pursuant to the BFR/NBR Process as set forth in General Terms and Conditions.
- 4.1.4.5 BellSouth shall provide unbranded recorded announcements and call progress tones to alert callers of call progress and disposition.

- 4.1.4.6 BellSouth shall activate service for Actel customer or network interconnection on any of the Local Switching interfaces. This includes provisioning changes to change a customer from BellSouth's services to Actel's services without loss of switch feature functionality as defined in this Agreement.
- 4.1.4.7 BellSouth shall perform routine testing (e.g., Mechanized Loop Tests (MLT) and test calls such as 105, 107 and 108 type calls) and fault isolation on a mutually agreed upon schedule.
- 4.1.4.8 BellSouth shall repair and restore any equipment or any other maintainable component that may adversely impact Local Switching.
- 4.1.4.9 BellSouth shall control congestion points such as those caused by radio station call-ins, and network routing abnormalities. All traffic shall be restricted in a non-discriminatory manner.
- 4.1.4.10 BellSouth shall perform manual call trace and permit customer originated call trace.
- 4.1.4.11 Special Services provided by BellSouth will include the following:
 - 4.1.4.11.1 Telephone Service Prioritization;
 - 4.1.4.11.2 Related services for handicapped;
 - 4.1.4.11.3 Soft dial tone where required by law; and
 - 4.1.4.11.4 Any other service required by law.
- 4.1.4.12 BellSouth shall provide Switching Service Point (SSP) capabilities and signaling software to interconnect the signaling links destined to the Signaling Transfer Point Switch (STPS). These capabilities shall adhere to the technical specifications set forth in the applicable industry standard technical references.
- 4.1.4.13 BellSouth shall provide interfaces to adjuncts through Telcordia (formerly BellCore) standard interfaces. These adjuncts can include, but are not limited to, the Service Circuit Node and Automatic Call Distributors.
- 4.1.4.14 BellSouth shall provide performance data regarding a customer line, traffic characteristics or other measurable elements to Actel, upon a reasonable request from Actel. Actel will pay BellSouth for all costs incurred to provide such performance data through the Business Opportunity Request process.
- 4.1.4.15 BellSouth shall offer Local Switching that provides feature offerings at parity to those provided by BellSouth to itself or any other Party.

- 4.1.4.16 BellSouth shall offer to Actel all AIN triggers in connection with its SMS/SCE offering which are supported by BellSouth for offering AIN-based services
- 4.1.4.17 Where capacity exists, BellSouth shall assign each Actel customer line the class of service designated by Actel (e.g., using line class codes or other switch specific provisioning methods), and shall route directory assistance calls from Actel customers to Actel directory assistance operators at Actel's option.
- 4.1.4.18 Where capacity exists, BellSouth shall assign each Actel customer line the class of services designated by Actel (e.g., using line class codes or other switch specific provisioning methods) and shall route operator calls from Actel customers to Actel operators at Actel's option. For example, BellSouth may translate 0- and 0+ intraLATA traffic, and route the call through appropriate trunks to Actel Operator Services Position System (OSPS). Calls from Local Switching must pass the ANI-II digits unchanged.
- 4.1.4.19 Local Switching shall be offered in accordance with the technical specifications set forth in the applicable industry standard references.
- 4.1.5 **Interface Requirements.** BellSouth shall provide the following interfaces to loops:
 - 4.1.5.1 Standard Tip/Ring interface including loopstart or groundstart, on-hook signaling (e.g., for calling number, calling name and message waiting lamp);
 - 4.1.5.2 Coin phone signaling;
 - 4.1.5.3 Basic Rate Interface ISDN adhering to appropriate Telcordia (formerly BellCore) Technical Requirements;
 - 4.1.5.4 Two-wire analog interface to PBX;
 - 4.1.5.5 Four-wire analog interface to PBX;
 - 4.1.5.6 Four-wire DS1 interface to PBX or customer provided equipment (e.g. computers and voice response systems);
 - 4.1.5.7 Primary Rate ISDN to PBX adhering to ANSI standards Q.931, Q.932 and appropriate Telcordia (formerly BellCore) Technical Requirements;
 - 4.1.5.8 Switched Fractional DS1 with capabilities to configure Nx64 channels (where N = 1 to 24); and
 - 4.1.5.9 Loops adhering to Telcordia (formerly BellCore) TR-NWT-08 and TR-NWT-303 specifications to interconnect Digital Loop Carriers.
- 4.1.6 BellSouth shall provide access to the following but not limited to:
 - 4.1.6.1 SS7 Signaling Network or Multi-Frequency trunking if requested by Actel;

- 4.1.6.2 Interface to Actel operator services systems or Operator Services through appropriate trunk interconnections for the system; and
- 4.1.6.3 Interface to Actel Directory Assistance Services through the Actel switched network or to Directory Assistance Services through the appropriate trunk interconnections for the system; and 950 access or other Actel required access to interexchange carriers as requested through appropriate trunk interfaces.
- 4.2 **Tandem Switching**
 - 4.2.1 Definition

Tandem Switching is the function that establishes a communications path between two switching offices through a third switching office (the Tandem switch).
 - 4.2.2 Technical Requirements

Tandem Switching shall have the same capabilities or equivalent capabilities as those described in Bell Communications Research TR-TSY-000540 Issue 2R2, Tandem Supplement, 6/1/90. The requirements for Tandem Switching include, but are not limited to the following:

 - 4.2.2.1 Tandem Switching shall provide signaling to establish a tandem connection;
 - 4.2.2.2 Tandem Switching will provide screening as jointly agreed to by Actel and BellSouth;
 - 4.2.2.3 Tandem Switching shall provide Advanced Intelligent Network triggers supporting AIN features where such routing is not available from the originating end office switch, to the extent such Tandem switch has such capability;
 - 4.2.2.4 Tandem Switching shall provide access to Toll Free number portability database as designated by Actel;
 - 4.2.2.5 Tandem Switching shall provide all trunk interconnections discussed under the "Network Interconnection" section (e.g., SS7, MF, DTMF, DialPulse, PRI-ISDN, DID, and CAMA-ANI (if appropriate for 911));
 - 4.2.2.6 Tandem Switching shall provide connectivity to PSAPs where 911 solutions are deployed and the tandem is used for 911; and
 - 4.2.2.7 Where appropriate, Tandem Switching shall provide connectivity to transit traffic to and from other carriers.
 - 4.2.3 Tandem Switching shall accept connections (including the necessary signaling and trunking interconnections) between end offices, other tandems, IXCs, ICOs, CAPs and CLEC switches.

- 4.2.4 Tandem Switching shall provide local tandeming functionality between two end offices including two offices belonging to different CLECs (e.g., between a CLEC end office and the end office of another CLEC).
- 4.2.5 Tandem Switching shall preserve CLASS/LASS features and Caller ID as traffic is processed.
- 4.2.6 Tandem Switching shall record billable events and send them to the area billing centers designated by Actel. Tandem Switching will provide recording of all billable events as jointly agreed to by Actel and BellSouth.
- 4.2.7 Upon a reasonable request from Actel, BellSouth shall perform routine testing and fault isolation on the underlying switch that is providing Tandem Switching and all its interconnections. The results and reports of the testing shall be made immediately available to Actel.
- 4.2.8 BellSouth shall maintain Actel's trunks and interconnections associated with Tandem Switching at least at parity to its own trunks and interconnections.
- 4.2.9 BellSouth shall control congestion points and network abnormalities. All traffic will be restricted in a non-discriminatory manner.
- 4.2.10 Selective Call Routing through the use of line class codes is not available through the use of tandem switching. Selective Call Routing through the use of line class codes is an end office capability only. Detailed primary and overflow routing plans for all interfaces available within BellSouth's switching network shall be mutually agreed to by Actel and BellSouth.
- 4.2.11 Tandem Switching shall process originating toll-free traffic received from Actel's local switch.
- 4.2.12 In support of AIN triggers and features, Tandem Switching shall provide SSP capabilities when these capabilities are not available from the Local Switching Network Element, to the extent such Tandem Switch has such capability.
- 4.2.13 **Interface Requirements**
- 4.2.13.1 Tandem Switching shall provide interconnection to the E911 PSAP where the underlying Tandem is acting as the E911 Tandem.
- 4.2.13.2 Tandem Switching shall interconnect, with direct trunks, to all carriers with which BellSouth interconnects.
- 4.2.13.3 BellSouth shall provide all signaling necessary to provide Tandem Switching with no loss of feature functionality.

- 4.2.13.4 Tandem Switching shall interconnect with Actel's switch, using two-way trunks, for traffic that is transiting via BellSouth's network to interLATA or intraLATA carriers. At Actel's request, Tandem Switching shall record and keep records of traffic for billing.
- 4.2.13.5 Tandem Switching shall provide an alternate final routing pattern for Actel's traffic overflowing from direct end office high usage trunk groups.
- 4.2.13.6 Tandem Switching shall be equal to or better than the requirements for Tandem Switching set forth in the applicable technical references.
- 4.3 AIN Selective Carrier Routing for Operator Services, Directory Assistance and Repair Centers**
- 4.3.1 BellSouth will provide AIN Selective Carrier Routing at the request of Actel. AIN Selective Carrier Routing will provide Actel with the capability of routing operator calls, 0+ and 0- and 0+ NPA (LNPA) 555-1212 directory assistance, 1+411 directory assistance and 611 repair center calls to pre-selected destinations.
- 4.3.2 Actel shall order AIN Selective Carrier Routing through its Account Team. AIN Selective Carrier Routing must first be established regionally and then on a per central office, per state basis.
- 4.3.3 AIN Selective Carrier Routing is not available in DMS 10 switches.
- 4.3.4 Where AIN Selective Carrier Routing is utilized by Actel, the routing of Actel's end user calls shall be pursuant to information provided by Actel and stored in BellSouth's AIN Selective Carrier Routing Service Control Point database. AIN Selective Carrier Routing shall utilize a set of Line Class Codes (LCCs) unique to a basic class of service assigned on an 'as needed' basis. The same LCCs will be assigned in each central office where AIN Selective Carrier Routing is established.
- 4.3.5 Upon ordering of AIN Selective Carrier Routing Regional Service, Actel shall remit to BellSouth the Regional Service Order non-recurring charges set forth in Exhibit C of this Attachment. There shall be a non-recurring End Office Establishment Charge per office due at the addition of each central office where AIN Selective Carrier Routing will be utilized. Said non-recurring charge shall be as set forth in Exhibit C of this Attachment. For each Actel end user activated, there shall be a non-recurring End User Establishment charge as set forth in Exhibit C of this Attachment, payable to BellSouth pursuant to the terms of the General Terms and Conditions, incorporated herein by this reference. Actel shall pay the AIN Selective Carrier Routing Per Query Charge set forth in Exhibit C of this Attachment.
- 4.3.6 This Regional Service Order non-recurring charge will be non-refundable and will be paid with 1/2 due up-front with the submission of all fully completed required

forms, including: Regional Selective Carrier Routing (SCR) Order Request-Form A, Central Office AIN Selective Carrier Routing (SCR) Order Request - Form B, AIN_SCR Central Office Identification Form - Form C, AIN_SCR Routing Options Selection Form - Form D, and Routing Combinations Table - Form E. BellSouth has 30 days to respond to the client's fully completed firm order as a Regional Service Order. With the delivery of this firm order response to the client, BellSouth considers that the delivery schedule of this service commences. The remaining 1/2 of the Regional Service Order payment must be paid when at least 90% of the Central Offices listed on the original order have been turned up for the service.

- 4.3.7 The non-recurring End Office Establishment Charge will be billed to the client following BellSouth's normal monthly billing cycle for this type of order.
- 4.3.8 End-User Establishment Orders will not be turned-up until the second payment is received for the Regional Service Order. The non-recurring End-User Establishment Charges will be billed to the client following BellSouth's normal monthly billing cycle for this type of order.
- 4.3.9 Additionally, the AIN Selective Carrier Routing Per Query Charge will be billed to the client following the normal billing cycle for per query charges.
- 4.3.10 All other network components needed, for example, unbundled switching and unbundled local transport, etc, will be billed per contracted rates.

4.4 **Packet Switching Capability**

4.4.1 Definition

The packet switching capability network element is defined as the function of routing or forwarding packets, frames, cells or other data units based on address or other routing information contained in the packets, frames, cells or other data units.

- 4.4.2 BellSouth shall be required to provide non-discriminatory access to unbundled packet switching capability only where each of the following conditions are satisfied:

- 4.4.2.1 BellSouth has deployed digital loop carrier systems, including but not limited to, integrated digital loop carrier or universal digital loop carrier systems; or has deployed any other system in which fiber optic facilities replace copper facilities in the distribution section (e.g., end office to remote terminal, pedestal or environmentally controlled vault);

- 4.4.2.2 There are no spare copper loops capable of supporting the xDSL services Actel seeks to offer;

- 4.4.2.3 BellSouth has not permitted Actel to deploy a DSLAM at the remote terminal, pedestal or environmentally controlled vault or other interconnection point, nor has Actel obtained a virtual collocation arrangement at these sub-loop interconnection points as defined by 47 CFR § 51.319 (b); and
- 4.4.2.4 BellSouth has deployed packet switching capability for its own use.
- 4.4.3 If there is a dispute as to whether BellSouth must provide Packet Switching, such dispute will be resolved according to the dispute resolution process set forth in Section 12 of the General Terms and Conditions of this Agreement, incorporated herein by this reference.
- 4.5 **Interoffice Transmission Facilities**
- BellSouth shall provide nondiscriminatory access, in accordance with FCC Rule 51.311 and Section 251(c)(3) of the Act, to interoffice transmission facilities on an unbundled basis to Actel for the provision of a telecommunications service.
- 4.6 **Rates**
- The prices that Actel shall pay to BellSouth for Network Elements and Other Services are set forth in Exhibit C to this Attachment. If Actel purchases a service(s) from a tariff, all terms and conditions and rates as set forth in such tariff shall apply.
- 4.7 **Operational Support Systems (OSS)**
- The terms, conditions and rates for OSS are as set forth in Section 2.13 of this Attachment.
5. **Unbundled Network Element Combinations**
- 5.1. Unbundled Network Element Combinations shall include: 1) Enhanced Extended Links (EELs); 2) UNE Loops/Special Access Combinations; 3) Loop/Port Combinations; and 4) Transport Combinations.
- 5.2. For purposes of this Section, references to "Currently Combined" network elements shall mean that such network elements are in fact already combined by BellSouth in the BellSouth network to provide service to a particular end user at a particular location.
- 5.3. **Enhanced Extended Links (EELs)**
- 5.3.1 Where facilities permit and where necessary to comply with an effective FCC and/or State Commission order, or as otherwise mutually agreed by the Parties, BellSouth shall offer access to loop and transport combinations, also known as the Enhanced Extended Link ("EEL") as defined in Section 5.3.2 below.

- 5.3.2 Subject to Section 5.3.3 below, BellSouth will provide access to the EEL in the combinations set forth in Section 5.3.4 following. This offering is intended to provide connectivity from an end user's location through that end user's SWC to Actel's POP serving wire center. The circuit must be connected to Actel's switch for the purpose of provisioning telephone exchange service to Actel's end-user customers. The EEL will be connected to Actel's facilities in Actel's collocation space at the POP SWC, or Actel may purchase BellSouth's access facilities between Actel's POP and Actel's collocation space at the POP SWC.
- 5.3.3 BellSouth shall provide EEL combinations to Actel in Georgia regardless of whether or not such EELs are Currently Combined. In all other states, BellSouth shall make available to Actel those EEL combinations described in Section 5.3.4 below only to the extent such combinations are Currently Combined. Furthermore, BellSouth will make available EEL combinations to Actel in density Zone 1, as defined in 47 CFR 69.123 as of January 1, 1999, in the Atlanta, GA; Miami, FL; Orlando, FL; Ft. Lauderdale, FL; Charlotte-Gastonia-Rock Hill, NC; Greensboro-Winston Salem-High Point, NC; Nashville, TN; and New Orleans, LA, MSAs regardless of whether or not such EELs are Currently Combined. Except as stated above, EELs will be provided to Actel only to the extent such network elements are Currently Combined.
- 5.3.4 EEL Combinations
- 5.3.4.1 DS1 Interoffice Channel + DS1 Channelization + 2-wire VG Local Loop
 - 5.3.4.2 DS1 Interoffice Channel + DS1 Channelization + 4-wire VG Local Loop
 - 5.3.4.3 DS1 Interoffice Channel + DS1 Channelization + 2-wire ISDN Local Loop
 - 5.3.4.4 DS1 Interoffice Channel + DS1 Channelization + 4-wire 56 kbps Local Loop
 - 5.3.4.5 DS1 Interoffice Channel + DS1 Channelization + 4-wire 64 kbps Local Loop
 - 5.3.4.6 DS1 Interoffice Channel + DS1 Local Loop
 - 5.3.4.7 DS3 Interoffice Channel + DS3 Local Loop
 - 5.3.4.8 STS-1 Interoffice Channel + STS-1 Local Loop
 - 5.3.4.9 DS3 Interoffice Channel + DS3 Channelization + DS1 Local Loop
 - 5.3.4.10 STS-1 Interoffice Channel + DS3 Channelization + DS1 Local Loop
 - 5.3.4.11 2-wire VG Interoffice Channel + 2-wire VG Local Loop
 - 5.3.4.12 4wire VG Interoffice Channel + 4-wire VG Local Loop
 - 5.3.4.13 4-wire 56 kbps Interoffice Channel + 4-wire 56 kbps Local Loop

5.3.4.14 4-wire 64 kbps Interoffice Channel + 4-wire 64 kbps Local Loop

5.3.5

5.3.6 Special Access Service Conversions

5.3.6.1 Actel may not convert special access services to combinations of loop and transport network elements, whether or not Actel self-provides its entrance facilities (or obtains entrance facilities from a third party), unless Actel uses the combination to provide a significant amount of local exchange service, in addition to exchange access service, to a particular customer. To the extent Actel requests to convert any special access services to combinations of loop and transport network elements at UNE prices, Actel shall provide to BellSouth a letter certifying that Actel is providing a significant amount of local exchange service (as described in this Section) over such combinations. The certification letter shall also indicate under what local usage option Actel seeks to qualify for conversion of special access circuits. Actel shall be deemed to be providing a significant amount of local exchange service over such combinations if one of the following options is met:

5.3.7.1.1 Actel certifies that it is the exclusive provider of an end user's local exchange service. The loop-transport combinations must terminate at Actel's collocation arrangement in at least one BellSouth central office. This option does not allow loop-transport combinations to be connected to BellSouth's tariffed services. Under this option, Actel is the end user's only local service provider, and thus, is providing more than a significant amount of local exchange service. Actel can then use the loop-transport combinations that serve the end user to carry any type of traffic, including using them to carry 100 percent interstate access traffic; or

5.3.7.1.2 Actel certifies that it provides local exchange and exchange access service to the end user customer's premises and handles at least one third of the end user customer's local traffic measured as a percent of total end user customer local dialtone lines; and for DS1 circuits and above, at least 50 percent of the activated channels on the loop portion of the loop-transport combination have at least 5 percent local voice traffic individually, and the entire loop facility has at least 10 percent local voice traffic. When a loop-transport combination includes multiplexing, each of the individual DS1 circuits must meet this criteria. The loop-transport combination must terminate at Actel's collocation arrangement in at least one BellSouth central office. This option does not allow loop-transport combinations to be connected to BellSouth tariffed services; or

5.3.7.1.3 Actel certifies that at least 50 percent of the activated channels on a circuit are used to provide originating and terminating local dialtone service and at least 50 percent of the traffic on each of these local dialtone channels is local voice traffic, and that the entire loop facility has at least 33 percent local voice traffic. When a loop-transport combination includes multiplexing, each of the individual DS1

circuits must meet this criteria. This option does not allow loop-transport combinations to be connected to BellSouth's tariffed services. Under this option, collocation is not required. Actel does not need to provide a defined portion of the end user's local service, but the active channels on any loop-transport combination, and the entire facility, must carry the amount of local exchange traffic specified in this option.

- 5.3.7.2 In addition, there may be extraordinary circumstances where Actel is providing a significant amount of local exchange service, but does not qualify under any of the three options set forth in Section 5.3.7.1. In such case, Actel may petition the FCC for a waiver of the local usage options set forth in the June 2, 2000 Order. If a waiver is granted, then upon Actel's request the Parties shall amend this Agreement to the extent necessary to incorporate the terms of such waiver for such extraordinary circumstance.
- 5.3.7.3
- 5.3.7.4 BellSouth may, at its sole expense, and upon thirty (30) days notice to Actel, audit, Actel's records not more than once in any twelve month period, unless an audit finds non-compliance with the local usage options referenced in the June 2, 2000 Order, in order to verify the type of traffic transmitted over combinations of loop and transport network elements. If, based on audits, BellSouth concludes that Actel is not providing a significant amount of local exchange traffic over the combinations of loop and transport network elements, BellSouth may file a complaint with the appropriate Commission, pursuant to the dispute resolution process as set forth in this Agreement. In the event that BellSouth prevails, BellSouth may convert such combinations of loop and transport network elements to special access services and may see appropriate retroactive reimbursement from Actel.
- 5.3.7.5 Actel may convert special access circuits to combinations of loop and transport UNEs pursuant to the terms of this Section and subject to the termination provisions in the applicable special access tariffs, if any.
- 5.3.8 Rates
- 5.3.8.1 Georgia
- 5.3.8.2 The non-recurring and recurring rates for the EEL Combinations of network elements set forth in 5.3.4, whether Currently Combined or new, are as set forth in Exhibit C of this Attachment.
- 5.3.8.3 On an interim basis, for combinations of loop and transport network elements not set forth in Section 5.3.4, where the elements are not Currently Combined but are ordinarily combined in BellSouth's network, the non-recurring and recurring charges for such UNE combinations shall be the sum of the stand-alone non-

recurring and recurring charges of the network elements which make up the combination. These interim rates shall be subject to true-up based on the Commission's review of BellSouth's cost studies.

- 5.3.8.4 To the extent that Actel seeks to obtain other combinations of network elements that BellSouth ordinarily combines in its network which have not been specifically priced by the Commission when purchased in combined form, Actel, at its option, can request that such rates be determined pursuant to the BFR/NBR process set forth in this Agreement.
- 5.3.8.5 **All Other States**
- 5.3.8.5.1 Subject to Section 5.3.2 and 5.3.3 preceding, for all other states, the non-recurring and recurring rates for the Currently Combined EEL combinations set forth in Section 5.3.4 and other Currently Combined network elements will be the sum of the recurring rates for the individual network elements plus a non recurring charge set forth in Exhibit C of this Attachment.
- 5.3.8.6 **Multiplexing**
- 5.3.8.6.1 Where multiplexing functionality is required in connection with loop and transport combinations, such multiplexing will be provided at the rates and on the terms set forth in this Agreement.
- 5.4 **Other Network Element Combinations**
- 5.4.1.1 In the state of Georgia, BellSouth shall make available to Actel, in accordance with Section 5.4.2.1 below: (1) combinations of network elements other than EELs that are Currently Combined; and (2) combinations of network elements other than EELs that are not Currently Combined but that BellSouth ordinarily combines in its network. In all other states, BellSouth shall make available to Actel, in accordance with Section 5.4.2.2 below, combinations of network elements other than EELs only to the extent such combinations are Currently Combined.
- 5.4.2 **Rates**
- 5.4.2.1 **Georgia**
- 5.4.2.1.1 The non-recurring and recurring rates for Other Network Element combinations, whether Currently Combined or new, are as set forth in Exhibit C of this Attachment.
- 5.4.2.1.2 On an interim basis, for Other Network Element combinations where the elements are not Currently Combined but are ordinarily combined in BellSouth's network, the non-recurring and recurring charges for such UNE combinations shall be the sum of the stand-alone non-recurring and recurring charges of the network

elements which make up the combination. These interim rates shall be subject to true-up based on the Commission's review of BellSouth's cost studies.

- 5.4.2.1.3 To the extent that Actel seeks to obtain other combinations of network elements that BellSouth ordinarily combines in its network which have not been specifically priced by the Commission when purchased in combined form, Actel, at its option, can request that such rates be determined pursuant to the BFR/NBR process set forth in this Agreement.
- 5.4.2.2 All Other States
 - 5.4.2.2.1 For all other states, the non-recurring and recurring rates for the Other Network Element Combinations that are Currently Combined will be the sum of the recurring rates for the individual network elements plus a non recurring charge set forth in Exhibit C of this Attachment.
- 5.5 **UNE/Special Access Combinations**
 - 5.5.1 Additionally, BellSouth shall make available to Actel a combination of an unbundled loop and tariffed special access interoffice facilities. To the extent Actel will require multiplexing functionality in connection with such combination, BellSouth will provide access to multiplexing within the central office pursuant to the terms, conditions and rates set forth in its Access Services Tariffs. The tariffed special access interoffice facilities and any associated tariffed services, including but not limited to multiplexing, shall not be eligible for conversion to UNEs as described in Section 5.3.7.
 - 5.5.2 Rates
 - 5.5.2.1 The non-recurring and recurring rates for UNE/Special Access Combinations will be the sum of the unbundled loop rates as set forth in Exhibit C and the interoffice transport rates and multiplexing rates as set forth in the Access Services Tariff.
- 5.6 **Port/Loop Combinations**
 - 5.6.1 At Actel's request, BellSouth shall provide access to combinations of port and loop network elements, as set forth in Section 5.6.3 below, that are Currently Combined in BellSouth's network except as specified in Sections 5.6.1.1 and 5.6.1.2 below.
 - 5.6.1.1 BellSouth shall not provide combinations of port and loop network elements on an unbundled basis in locations where, pursuant to FCC rules, BellSouth is not required to provide circuit switching as an unbundled network element.
 - 5.6.1.2 In accordance with effective and applicable FCC rules, BellSouth shall not be required to provide circuit switching as an unbundled network element in density Zone 1, as defined in 47 CFR 69.123 as of January 1, 1999 of the Atlanta, GA;

Miami, FL; Orlando, FL; Ft. Lauderdale, FL; Charlotte-Gastonia-Rock Hill, NC; Greensboro-Winston Salem-High Point, NC; Nashville, TN; and New Orleans, LA, MSAs to Actel if Actel's customer has 4 or more DS0 equivalent lines.

- 5.6.2 Combinations of port and loop network elements provide local exchange service for the origination or termination of calls. BellSouth shall make available the following loop and port combinations at the terms and at the rates set forth below:
- 5.6.2.1 In Georgia, BellSouth shall provide to Actel combinations of port and loop network elements to Actel on an unbundled basis regardless of whether or not such combinations are Currently Combined except in those locations where BellSouth is not required to provide circuit switching, as set forth in Section 5.6.1.2 above. The rates for such combinations shall be the cost based rates set forth in Exhibit C of this Attachment.
- 5.6.2.2 In all other states, BellSouth shall provide to Actel combinations of port and loop network elements on an unbundled basis if such combinations are Currently Combined, except in those locations where BellSouth is not required to provide unbundled circuit switching, as set forth in Sections 5.6.1.1 and 5.6.1.2 above. The rates for such combinations shall be the cost based rates set forth in Exhibit C of this Attachment.
- 5.6.2.3 In all states other than Georgia, except in those locations where BellSouth is not required to provide unbundled circuit switching, as set forth in Sections 5.6.1.1 and 5.6.1.2, BellSouth shall provide to Actel combinations of port and loop network elements that are not Currently Combined. The rates for such combinations shall be negotiated by the Parties.
- 5.6.2.4 In those locations where BellSouth is not required to provide unbundled circuit switching, as set forth in Sections 5.6.1.1 and 5.6.1.2, BellSouth shall provide to Actel combinations of port and loop network elements whether or not such combinations are Currently Combined. The rates for Currently Combined combinations are the market based rates as set forth in Exhibit C. The rates for not Currently Combined combinations shall be negotiated by the Parties.
- 5.6.3 **Combination Offerings**
- 5.6.3.1 2-wire voice grade port, voice grade loop, unbundled end office switching, unbundled end office trunk port, common transport per mile per MOU, common transport facilities termination, tandem switching, and tandem trunk port.
- 5.6.3.2 2-wire voice grade DID port, voice grade loop, unbundled end office switching, unbundled end office trunk port, common transport per mile per MOU, common transport facilities termination, tandem switching, and tandem trunk port.

- 5.6.3.3 2-wire CENTREX port, voice grade loop, unbundled end office switching, unbundled end office trunk port, common transport per mile per MOU, common transport facilities termination, tandem switching, and tandem trunk port.
- 5.6.3.4 2-wire ISDN Basic Rate Interface, voice grade loop, unbundled end office switching, unbundled end office trunk port, common transport per mile per MOU, common transport facilities termination, tandem switching, and tandem trunk port.
- 5.6.3.5 2-wire ISDN Primary Rate Interface, DS1 loop, unbundled end office switching, unbundled end office trunk port, common transport per mile per MOU, common transport facilities termination, tandem switching, and tandem trunk port.
- 5.6.3.6 4-wire DS1 Trunk port, DS1 Loop, unbundled end office switching, unbundled end office trunk port, common transport per mile per MOU, common transport facilities termination, tandem switching, and tandem trunk port.

5.7 Rates

The prices that Actel shall pay to BellSouth for Network Elements and Other Services are set forth in Exhibit C to this Attachment. If Actel purchases a service(s) from a tariff, all terms and conditions and rates as set forth in such tariff shall apply.

5.8 Operational Support Systems (OSS)

The terms, conditions and rates for OSS are as set forth in Section 2.13 of this Attachment.

6. Transport, Channelization and Dark Fiber

All of the negotiated rates, terms and conditions set forth in this Section pertain to the provision of unbundled transport and dark fiber.

6.1 Transport

6.1.1 Interoffice transmission facility network elements include:

- 6.1.1.1 Dedicated transport, defined as BellSouth's transmission facilities, is dedicated to a particular customer or carrier that provides telecommunications between wire centers or switches owned by BellSouth, or between wire centers and switches owned by BellSouth and Actel.
- 6.1.1.2 Dark Fiber transport, defined as BellSouth's optical transmission facilities without attached signal regeneration, multiplexing, aggregation or other electronics;

- 6.1.1.3 Common (Shared) transport, defined as transmission facilities shared by more than one carrier, including BellSouth, between end office switches, between end office switches and tandem switches, and between tandem switches, in BellSouth's network.
- 6.2 BellSouth shall:
 - 6.2.1 Provide Actel exclusive use of interoffice transmission facilities dedicated to a particular customer or carrier, or shared use of the features, functions, and capabilities of interoffice transmission facilities shared by more than one customer or carrier;
 - 6.2.2 Provide all technically feasible transmission facilities, features, functions, and capabilities that Actel could use to provide telecommunications services;
 - 6.2.3 Permit, to the extent technically feasible, Actel to connect such interoffice facilities to equipment designated by Actel, including but not limited to, Actel's collocated facilities; and
 - 6.2.4 Permit, to the extent technically feasible, Actel to obtain the functionality provided by BellSouth's digital cross-connect systems in the same manner that BellSouth provides such functionality to interexchange carriers.
- 6.3 **Common (Shared) Transport**
 - 6.3.1 Definition of Common (Shared) Transport
 - 6.3.1.1 Common (Shared) Transport is an interoffice transmission path between two BellSouth end-offices, BellSouth end-office and a local tandem, or between two local tandems. Where BellSouth Network Elements are connected by intra-office wiring, such wiring is provided as a part of the Network Elements and is not Common (Shared) Transport.
 - 6.3.2 Technical Requirements of Common (Shared) Transport
 - 6.3.2.1 Common (Shared) Transport provided on DS1 or VT1.5 circuits, shall, at a minimum, meet the performance, availability, jitter, and delay requirements specified for Central Office to Central Office ("CO to CO") connections in the appropriate industry standards.
 - 6.3.2.2 Common (Shared) Transport provided on DS3 circuits, STS-1 circuits, and higher transmission bit rate circuits, shall, at a minimum, meet the performance, availability, jitter, and delay requirements specified for CO to CO connections in the appropriate industry standards.

- 6.3.2.3 BellSouth shall be responsible for the engineering, provisioning, and maintenance of the underlying equipment and facilities that are used to provide Common (Shared) Transport.
- 6.3.2.4 At a minimum, Common (Shared) Transport shall meet all of the requirements set forth in the applicable industry standard technical references.
- 6.4 **Dedicated Transport**
- 6.4.1 Definitions
- 6.4.2 Dedicated Transport is defined as BellSouth transmission facilities dedicated to a particular customer or carrier that provide telecommunications between wire centers owned by BellSouth or requesting telecommunications carriers, or between switches owned by BellSouth or requesting telecommunications carriers.
- 6.4.3 Unbundled Local Channel
- 6.4.4 Unbundled Local Channel is the dedicated transmission path between Actel's Point of Presence and the BellSouth Serving Wire Center's collocation.
- 6.4.5 Unbundled Interoffice Channel.
- 6.4.6 Unbundled Interoffice Channel is the dedicated transmission path that provides telecommunication between BellSouth's Serving Wire Centers' collocations.
- 6.4.7 BellSouth shall offer Dedicated Transport in each of the following ways:
- 6.4.7.1 As capacity on a shared UNE facility.
- 6.4.7.2 As a circuit (e.g., DS0, DS1, DS3) dedicated to Actel. This circuit shall consist of an Unbundled Local Channel or an Unbundled Interoffice Channel or both.
- 6.4.8 When Dedicated Transport is provided it shall include:
- 6.4.8.1 Transmission equipment such as, line terminating equipment, amplifiers, and regenerators;
- 6.4.8.2 Inter-office transmission facilities such as optical fiber, copper twisted pair, and coaxial cable.
- 6.4.9 Rates for Dedicated Transport are listed in this Attachment. For those states that do not contain rates in this Attachment the rates in the applicable State Access Tariff will apply as interim rates. When final rates are developed, these interim rates will be subject to true up, and the Parties will amend the Agreement to reflect the new rates.
- 6.4.10 Technical Requirements

- 6.4.10.1 This Section sets forth technical requirements for all Dedicated Transport.
- 6.4.10.2 When BellSouth provides Dedicated Transport, the entire designated transmission service (e.g., DS0, DS1, DS3) shall be dedicated to Actel designated traffic.
- 6.4.10.3 BellSouth shall offer Dedicated Transport in all technologies that become available including, but not limited to, (1) DS0, DS1 and DS3 transport services, and (2) SONET at available transmission bit rates.
- 6.4.10.4 For DS1 or VT1.5 circuits, Dedicated Transport shall, at a minimum, meet the performance, availability, jitter, and delay requirements specified for Customer Interface to Central Office ("CI to CO") connections in the appropriate industry standards.
- 6.4.10.5 Where applicable, for DS3, Dedicated Transport shall, at a minimum, meet the performance, availability, jitter, and delay requirements specified for CI to CO connections in the appropriate industry standards.
- 6.4.10.6 BellSouth shall offer the following interface transmission rates for Dedicated Transport:
 - 6.4.10.6.1 DS0 Equivalent;
 - 6.4.10.6.2 DS1;
 - 6.4.10.6.3 DS3;
 - 6.4.10.6.4 SDH (Synchronous Digital Hierarchy) Standard interface rates in accordance with International Telecommunications Union (ITU) Recommendation G.707 and Plesiochronous Digital Hierarchy (PDH) rates per ITU Recommendation G.704.
 - 6.4.10.6.5 When Dedicated Transport is provided, BellSouth shall design it according to BellSouth's network infrastructure to allow for the termination points specified by Actel.
- 6.4.11 At a minimum, Dedicated Transport shall meet each of the requirements set forth in the applicable industry technical references.
 - 6.4.11.1 BellSouth Technical References:
 - 6.4.11.2 TR-TSY-000191 Alarm Indication Signals Requirements and Objectives, Issue 1, May 1986.
 - 6.4.11.3 TR 73501 LightGate[®] Service Interface and Performance Specifications, Issue D, June 1995.

6.4.11.4 TR 73525 MegaLink[®] Service, MegaLink Channel Service and MegaLink Plus Service Interface and Performance Specifications, Issue C, May 1996.

6.4.12 Provided that the facility is used to transport a significant amount of local exchange services Actel shall be entitled to convert existing interoffice transmission facilities (i.e., special access) to the corresponding interoffice transport network element option.

6.5 **Unbundled Channelization**

6.5.1 BellSouth agrees to offer access to Unbundled Channelization when available pursuant to following terms and conditions and at the rates set forth in the Attachment. Channelization will be offered with both the high and the low speed sides to be connected to collocation.

6.5.2 Definition

6.5.2.1 Unbundled Channelization (UC) provides the multiplexing capability that will allow a DS1 (1.544 Mbps) or DS3 (44.736 Mbps) or STS-1 Unbundled Network Element (UNE) or collocation cross-connect to be multiplexed or channelized at a BellSouth central office. This can be accomplished through the use of a stand-alone multiplexer or a digital cross-connect system at the discretion of BellSouth. Once UC has been installed, Actel can have channels activated on an as-needed basis by having BellSouth connect lower level UNEs via Central Office Channel Interfaces (COCI).

6.5.3 Channelization capabilities will be as follows:

6.5.3.1 DS3 Channelization System: An element that channelizes a DS3 signal into 28 DS1s/STS-1s.

6.5.3.2 DS1 Channelization System: An element that channelizes a DS1 signal into 24 DS0s.

6.5.3.3 Central Office Channel Interfaces (COCI): Elements that can be activated on a channelization system.

6.5.4 DS1 Central Office Channel Interface elements can be activated on a DS3 Channelization System.

6.5.5 Voice Grade and Digital Data Central Office Channel Interfaces can be activated on a DS1 Channelization System.

6.5.6 AMI and B8ZS line coding with either Super Frame (SF) and Extended Super Frame (ESF) framing formats will be supported as options.

- 6.5.7 COCI will be billed on the lower level UNE order that is interfacing with the UC arrangement and will have to be compatible with those UNEs.
- 6.5.8 **Technical Requirements**
 - 6.5.8.1 In order to assure proper operation with BellSouth provided central office multiplexing functionality, the customer's channelization equipment must adhere strictly to form and protocol standards. Separate standards exist for the multiplex channel bank, for voice frequency encoding, for various signaling schemes, and for subrate digital access.
 - 6.5.8.2 **DS0 to DS1 Channelization**
 - 6.5.8.2.1 The DS1 signal must be framed utilizing the framing structure defined in ANSI T1.107, Digital Hierarchy Formats Specifications and ANSI T1.403.02, DS1 Robbed-bit Signaling State Definitions. DS0 to DS1 Channelization requirements are essential the same as defined in BellSouth Technical Reference 73525, MegaLink[®] Service, MegaLink[®] Channel Service, MegaLink[®] Plus Service, and MegaLink[®] Light Service Interface and Performance Specification.
 - 6.5.8.3 **DS1 to DS3 Channelization**
 - 6.5.8.3.1 The DS3 signal must be framed utilizing the framing structure define in ANSI T1.107, Digital Hierarchy Formats Specifications. DS1 to DS3 Channelization requirements are essentially the same as defined in BellSouth Technical Reference 73501, LightGate[®] Service Interface and Performance Specifications. The asynchronous M13 multiplex format (combination of M12 and M23 formats) is specified for terminal equipment that multiplexes 28 DS1s into a DS3.
 - 6.5.8.4 **DS1 to STS Channelization**
 - 6.5.8.4.1 The STS-1 signal must be framed utilizing the framing structure define in ANSI T1.105, Synchronous Optical Network (SONET) – Basic Description Including Multiplex Structure, Rates and Formats and T1.105.02, Synchronous Optical Network (SONET) – Payload Mappings. DS1 to STS Channelization requirements are essentially the same as defined in BellSouth Technical Reference TR 73501, LightGate[®] Service Interface and Performance Specifications.
- 6.6 **Dark Fiber**
 - 6.6.1 Definition
 - 6.6.2 Dark Fiber is optical transmission facilities without attached multiplexing, aggregation or other electronics that connects two points within BellSouth's network. Dark Fiber is unused strands of optical fiber. It may be strands of optical fiber existing in aerial or underground structure. No line terminating elements

terminated to such strands to operationalize its transmission capabilities will be available.

6.6.3 Requirements

6.6.3.1 BellSouth shall make available Dark Fiber where it exists in BellSouth's network and where, as a result of future building or deployment, it becomes available. In the event BellSouth advises Actel that no facilities are available as a result of planned use within a two period, upon request of Actel, BellSouth shall make available for Actel's review such plans, which are subject to the confidentiality section of the General Terms and Conditions of this Agreement.

6.6.3.2 If the requested dark fiber has any lightwave repeater equipment interspliced to it, BellSouth will remove such equipment at Actel's request subject to time and materials charges.

6.6.3.3 Actel may test the quality of the Dark Fiber to confirm its usability and performance specifications.

6.6.3.4 BellSouth shall use its best efforts to provide to Actel information regarding the location, availability and performance of Dark Fiber within ten (10) business days for a records based answer and twenty (20) business days for a field based answer, after receiving a request from Actel ("Request"). Within such time period, BellSouth shall send written confirmation of availability of the Dark Fiber ("Confirmation"). From the time of the Request to one hundred and twenty (120) days after Confirmation, BellSouth shall hold such requested Dark Fiber for Actel's use and may not allow any other Party to use such media, including BellSouth. If a Dark Fiber firm order is not received within the one hundred and twenty day period, the Dark Fiber will revert to BellSouth's Dark Fiber inventory.

6.6.3.5 BellSouth shall use its best efforts to make Dark Fiber available to Actel within thirty (30) business days after it receives written confirmation from Actel that the Dark Fiber previously deemed available by BellSouth is wanted for use by Actel. This includes identification of appropriate connection points (e.g., Light Guide Interconnection (LGX) or splice points) to enable Actel to connect or splice Actel provided transmission media (e.g., optical fiber) or equipment to the Dark Fiber.

6.6.3.6 Dark Fiber shall meet the manufacturer's design specifications.

6.6.3.7 Actel may splice and test Dark Fiber obtained from BellSouth using Actel or Actel designated personnel. BellSouth shall provide appropriate interfaces to allow splicing and testing of Dark Fiber. BellSouth shall provide an excess cable length of 25 feet minimum (for fiber in underground conduit) to allow the uncoiled fiber to reach from the manhole to a splicing van.

6.7 Rates

6.7.1 The prices that Actel shall pay to BellSouth for Network Elements and Other Services are set forth in Exhibit C to this Attachment. If Actel purchases a service(s) from a tariff, all terms and conditions and rates as set forth in such tariff shall apply.

6.8 **Operational Support Systems (OSS)**

The terms, conditions and rates for OSS are as set forth in Section 2.13 of this Attachment.

7. **BellSouth SWA 8XX Toll Free Dialing Ten Digit Screening Service**

All of the negotiated rates, terms and conditions set forth in this Section pertain to the provision of 8XX Access Ten Digit Screening Services.

7.1 **BellSouth SWA 8XX Toll Free Dialing Ten Digit Screening Service database**

7.1.1 The BellSouth SWA 8XX Toll Free Dialing Ten Digit Screening Service database (herein known as 8XX SCP) is a SCP that contains customer record information and functionality to provide call-handling instructions for 8XX calls. The 8XX SCP IN software stores data downloaded from the national SMS and provides the routing instructions in response to queries from the SSP or tandem. The BellSouth SWA 8XX Toll Free Dialing Ten Digit Screening Service (herein known as 8XX TFD), utilizes the 8XX SCP to provide identification and routing of the 8XX calls, based on the ten digits dialed. 8XX TFD is provided with or without POTS number delivery, dialing number delivery, and other optional complex features as selected by Actel. BellSouth shall provide 8XX TFD in accordance with the following:

7.1.2 **Technical Requirements**

7.1.2.1 BellSouth shall provide Actel with access to the 8XX record information located in the 8XX SCP. The 8XX SCP contains current records as received from the national SMS and will provide for routing 8XX originating calls based on the dialed ten digit 8XX number.

7.1.2.2 The 8XX SCP is designated to receive and respond to queries using the American National Standard Specification of Signaling System Seven (SS7) protocol. The 8XX SCP shall determine the carrier identification based on all ten digits of the dialed number and route calls to the carrier, POTS number, dialing number and/or other optional feature selected by Actel.

7.1.2.3 The SCP shall also provide, at Actel's option, such additional feature as described in SR-TSV-002275 (BOC Notes on BellSouth Networks, SR-TSV-002275, Issue 2, (Telcordia (formerly BellCore), April 1994)) as are available to BellSouth. These may include but are not limited to:

- 7.1.2.3.1 Network Management;
- 7.1.2.3.2 Customer Sample Collection; and
- 7.1.2.3.3 Service Maintenance.

7.2 Rates

The prices that Actel shall pay to BellSouth for Network Elements and Other Services are set forth in Exhibit C to this Attachment. . If Actel purchases a service(s) from a tariff, all terms and conditions and rates as set forth in such tariff shall apply.

7.3 Operational Support Systems (OSS)

The terms, conditions and rates for OSS are as set forth in Section 2.13 of this Attachment.

8 Line Information Database (LIDB)

8.1 All of the negotiated rates, terms and conditions set forth in this Section pertain to the provision of LIDB.

8.2 BellSouth will store in its LIDB only records relating to service in the BellSouth region. The LIDB Storage Agreement is included in this Attachment.

8.2.1 Definition

8.2.2 The Line Information Database (LIDB) is a transaction-oriented database accessible through Common Channel Signaling (CCS) networks. It contains records associated with end user Line Numbers and Special Billing Numbers. LIDB accepts queries from other Network Elements and provides appropriate responses. The query originator need not be the owner of LIDB data. LIDB queries include functions such as screening billed numbers that provides the ability to accept Collect or Third Number Billing calls and validation of Telephone Line Number based non-proprietary calling cards. The interface for the LIDB functionality is the interface between BellSouth's CCS network and other CCS networks. LIDB also interfaces to administrative systems.

8.2.3 Technical Requirements

8.2.4 BellSouth will offer to Actel any additional capabilities that are developed for LIDB during the life of this Agreement.

8.2.4.1 BellSouth shall process Actel's Customer records in LIDB at least at parity with BellSouth customer records, with respect to other LIDB functions. BellSouth

shall indicate to Actel what additional functions (if any) are performed by LIDB in the BellSouth network.

- 8.2.4.2 Within two (2) weeks after a request by Actel, BellSouth shall provide Actel with a list of the customer data items, which Actel would have to provide in order to support each required LIDB function. The list shall indicate which data items are essential to LIDB function, and which are required only to support certain services. For each data item, the list shall show the data formats, the acceptable values of the data item and the meaning of those values.
- 8.2.4.3 BellSouth shall provide LIDB systems for which operating deficiencies that would result in calls being blocked shall not exceed 30 minutes per year.
- 8.2.4.4 BellSouth shall provide LIDB systems for which operating deficiencies that would not result in calls being blocked shall not exceed 12 hours per year.
- 8.2.4.5 BellSouth shall provide LIDB systems for which the LIDB function shall be in overload no more than 12 hours per year.
- 8.2.4.6 All additions, updates and deletions of Actel data to the LIDB shall be solely at the direction of Actel. Such direction from Actel will not be required where the addition, update or deletion is necessary to perform standard fraud control measures (e.g., calling card auto-deactivation).
- 8.2.4.7 BellSouth shall provide priority updates to LIDB for Actel data upon Actel's request (e.g., to support fraud detection), via password-protected telephone card, facsimile, or electronic mail within one hour of notice from the established BellSouth contact.
- 8.2.4.8 BellSouth shall provide LIDB systems such that no more than 0.01% of Actel customer records will be missing from LIDB, as measured by Actel audits. BellSouth will audit Actel records in LIDB against DBAS to identify record mismatches and provide this data to a designated Actel contact person to resolve the status of the records and BellSouth will update system appropriately. BellSouth will refer record of mis-matches to Actel within one business day of audit. Once reconciled records are received back from Actel, BellSouth will update LIDB the same business day if less than 500 records are received before 1:00PM Central Time. If more than 500 records are received, BellSouth will contact Actel to negotiate a time frame for the updates, not to exceed three business days.
- 8.2.4.9 BellSouth shall perform backup and recovery of all of Actel's data in LIDB including sending to LIDB all changes made since the date of the most recent backup copy, in at least the same time frame BellSouth performs backup and recovery of BellSouth data in LIDB for itself. Currently, BellSouth performs

backups of the LIDB for itself on a weekly basis and when a new software release is scheduled, a backup is performed prior to loading the new release.

- 8.2.4.10 BellSouth shall provide Actel with LIDB reports of data, which are missing or contain errors, as well as any misrouted errors, within a reasonable time period as negotiated between Actel and BellSouth.
- 8.2.4.11 BellSouth shall prevent any access to or use of Actel data in LIDB by BellSouth personnel that are outside of established administrative and fraud control personnel, or by any other Party that is not authorized by Actel in writing.
- 8.2.4.12 BellSouth shall provide Actel performance of the LIDB Data Screening function, which allows a LIDB to completely or partially deny specific query originators access to LIDB data owned by specific data owners, for Customer Data that is part of an NPA-NXX or RAO-0/1XX wholly or partially owned by Actel at least at parity with BellSouth Customer Data. BellSouth shall obtain from Actel the screening information associated with LIDB Data Screening of Actel data in accordance with this requirement. BellSouth currently does not have LIDB Data Screening capabilities. When such capability is available, BellSouth shall offer it to Actel under the BFR/NBR as set forth in General Terms and Conditions.
- 8.2.4.13 BellSouth shall accept queries to LIDB associated with Actel customer records, and shall return responses in accordance with industry standards.
- 8.2.4.14 BellSouth shall provide mean processing time at the LIDB within 0.50 seconds under normal conditions as defined in industry standards.
- 8.2.4.15 BellSouth shall provide processing time at the LIDB within 1 second for 99% of all messages under normal conditions as defined in industry standards.

8.2.5 Interface Requirements

8.2.6 BellSouth shall offer LIDB in accordance with the requirements of this subsection.

8.2.6.1 The interface to LIDB shall be in accordance with the technical references contained within.

8.2.6.2 The CCS interface to LIDB shall be the standard interface described herein.

8.2.6.3 The LIDB Data Base interpretation of the ANSI-TCAP messages shall comply with the technical reference herein. Global Title Translation shall be maintained in the signaling network in order to support signaling network routing to the LIDB.

8.3 **Rates**

The prices that Actel shall pay to BellSouth for Network Elements and Other Services are set forth in Exhibit C to this Attachment. If Actel purchases a service(s) from a tariff, all terms and conditions and rates as set forth in such tariff shall apply.

8.4 Operational Support Systems (OSS)

The terms, conditions and rates for OSS are as set forth in Section 2.13 of this Attachment.

9. Signaling

9.1 All of the negotiated rates, terms and conditions set forth in this Section pertain to the provision of Signaling Transport Services.

9.2 BellSouth agrees to offer access to signaling and access to BellSouth's signaling databases subject to compatibility testing and at the rates set forth in this Attachment. BellSouth may provide mediated access to BellSouth signaling systems and databases. Available signaling elements include signaling links, signal transfer points and service control points. Signaling functionality will be available with both A-link and B-link connectivity.

9.3 Signaling Link Transport

9.3.1 Definition Signaling Link Transport is a set of two or four dedicated 56 Kbps. transmission paths between CLEC-designated Signaling Points of Interconnection (SPOI) that provides appropriate physical diversity.

9.3.2 Technical Requirements

9.3.2.1 Signaling Link Transport shall consist of full duplex mode 56 kbps transmission paths.

9.3.3 Of the various options available, Signaling Link Transport shall perform in the following two ways:

9.3.3.1 As an "A-link" which is a connection between a switch or SCP and a home Signaling Transfer Point Switch (STP) pair; and

9.3.3.2 As a "B-link" which is a connection between two STP pairs in different company networks (e.g., between two STP pairs for two Competitive Local Exchange Carriers (CLECs)).

9.3.4 Signaling Link Transport shall consist of two or more signaling link layers as follows:

9.3.4.1 An A-link layer shall consist of two links.

9.3.4.2 A B-link layer shall consist of four links.

- 9.3.5 A signaling link layer shall satisfy a performance objective such that:
 - 9.3.5.1 There shall be no more than two minutes down time per year for an A-link layer; and
 - 9.3.5.2 There shall be negligible (less than 2 seconds) down time per year for a B-link layer.
 - 9.3.5.3 A signaling link layer shall satisfy interoffice and intraoffice diversity of facilities and equipment, such that:
 - 9.3.5.3.1 No single failure of facilities or equipment causes the failure of both links in an A-link layer (i.e., the links should be provided on a minimum of two separate physical paths end-to-end); and
 - 9.3.5.3.2 No two concurrent failures of facilities or equipment shall cause the failure of all four links in a B-link layer (i.e., the links should be provided on a minimum of three separate physical paths end-to-end).
- 9.3.5.4 **Interface Requirements**
 - 9.3.5.4.1 There shall be a DS1 (1.544 Mbps) interface at the Actel designated SPOIs. Each 56 kbps transmission path shall appear as a DS0 channel within the DS1 interface.
- 9.4 **Signaling Transfer Points (STPs)**
 - 9.4.1 **Definition** - Signaling Transfer Points is a signaling network function that includes all of the capabilities provided by the signaling transfer point switches (STPs) and their associated signaling links which enable the exchange of SS7 messages among and between switching elements, database elements and signaling transfer point switches.
 - 9.4.2 **Technical Requirements**
 - 9.4.2.1 STPs shall provide access to Network Elements connected to BellSouth SS7 network. These include:
 - 9.4.2.1.1 BellSouth Local Switching or Tandem Switching;
 - 9.4.2.1.2 BellSouth Service Control Points/DataBases;
 - 9.4.2.1.3 Third-party local or tandem switching;
 - 9.4.2.1.4 Third-party-provided STPs.
 - 9.4.2.2 The connectivity provided by STPs shall fully support the functions of all other Network Elements connected to the BellSouth SS7 network. This explicitly includes the use of the BellSouth SS7 network to convey messages which neither

originate nor terminate at a signaling end point directly connected to the BellSouth SS7 network (i.e., transient messages). When the BellSouth SS7 network is used to convey transient messages, there shall be no alteration of the Integrated Services Digital Network User Part (ISDNUP) or Transaction Capabilities Application Part (TCAP) user data that constitutes the content of the message.

- 9.4.2.3 If a BellSouth tandem switch routes calling traffic, based on dialed or translated digits, on SS7 trunks between a Actel local switch and third party local switch, the BellSouth SS7 network shall convey the TCAP messages that are necessary to provide Call Management features (Automatic Callback, Automatic Recall, and Screening List Editing) between Actel local STPs and the STPs that provide connectivity with the third party local switch, even if the third party local switch is not directly connected to BellSouth STPs.
- 9.4.2.4 STPs shall provide all functions of the MTP as defined in the applicable industry standard technical references.
- 9.4.2.5 STPs shall provide all functions of the SCCP necessary for Class 0 (basic connectionless) service, as defined in Telcordia (formerly BellCore) ANSI Interconnection Requirements. In particular, this includes Global Title Translation (GTT) and SCCP Management procedures, as specified in T1.112.4. In cases where the destination signaling point is a Actel or third party local or tandem switching system directly connected to BellSouth SS7 network, BellSouth shall perform final GTT of messages to the destination and SCCP Subsystem Management of the destination. In all other cases, BellSouth shall perform intermediate GTT of messages to a gateway pair of STPs in an SS7 network connected with BellSouth SS7 network, and shall not perform SCCP Subsystem Management of the destination. If BellSouth performs final GTT to a Actel database, then Actel agrees to provide BellSouth with the Destination Point Code for the Actel database.
- 9.4.2.6 STPs shall provide on a non-discriminatory basis all functions of the OMAP commonly provided by STPs, as specified in the reference in Section 12 of this Attachment. All OMAP functions will be on a "where available" basis and can include:
- 9.4.2.6.1 MTP Routing Verification Test (MRVT); and
- 9.4.2.6.2 SCCP Routing Verification Test (SRVT).
- 9.4.2.7 In cases where the destination signaling point is a BellSouth local or tandem switching system or database, or is a Actel or third party local or tandem switching system directly connected to the BellSouth SS7 network, STPs shall perform MRVT and SRVT to the destination signaling point. In all other cases, STPs shall perform MRVT and SRVT to a gateway pair of STPs in an SS7

network connected with the BellSouth SS7 network. This requirement shall be superseded by the specifications for Internetwork MRVT and SRVT if and when these become approved ANSI standards and available capabilities of BellSouth STPs, and if mutually agreed upon by Actel and BellSouth.

9.4.2.8 STPs shall be on parity with BellSouth.

9.4.2.9 SS7 Advanced Intelligent Network (AIN) Access

9.4.2.9.1 When technically feasible and upon request by Actel, SS7 Access shall be made available in association with switching. SS7 AIN Access is the provisioning of AIN 0.1 triggers in an equipped BellSouth local switch and interconnection of the BellSouth SS7 network with the Actel SS7 network to exchange TCAP queries and responses with a Actel SCP.

9.4.2.9.2 SS7 AIN Access shall provide Actel SCP access to BellSouth local switch in association with switching via interconnection of BellSouth SS7 and Actel SS7 Networks. BellSouth shall offer SS7 access through its STPs. If BellSouth requires a mediation device on any part of its network specific to this form of access, BellSouth must route its messages in the same manner. The interconnection arrangement shall result in the BellSouth local switch recognizing the Actel SCP as at least at parity with BellSouth's SCP's in terms of interfaces, performance and capabilities.

9.4.3 Interface Requirements

9.4.3.1 BellSouth shall provide the following STPs options to connect Actel or Actel-designated local switching systems or STPs to the BellSouth SS7 network:

9.4.3.1.1 An A-link interface from Actel local switching systems; and,

9.4.3.1.2 A B-link interface from Actel local STPs.

9.4.3.2 Each type of interface shall be provided by one or more sets (layers) of signaling links.

9.4.3.3 The Signaling Point of Interconnection (SPOI) for each link shall be located at a cross-connect element, such as a DSX-1, in the Central Office (CO) where BellSouth STP is located. There shall be a DS1 or higher rate transport interface at each of the SPOIs. Each signaling link shall appear as a DS0 channel within the DS1 or higher rate interface. BellSouth shall offer higher rate DS1 signaling for interconnecting Actel local switching systems or STPs with BellSouth STPs as soon as these become approved ANSI standards and available capabilities of BellSouth STPs. BellSouth and Actel will work jointly to establish mutually acceptable SPOIs.

- 9.4.3.4 BellSouth CO shall provide intraoffice diversity between the SPOIs and BellSouth STPs, so that no single failure of intraoffice facilities or equipment shall cause the failure of both B-links in a layer connecting to a BellSouth STP. BellSouth and Actel will work jointly to establish mutually acceptable SPOIs.
- 9.4.3.5 STPs shall provide all functions of the MTP as defined in the applicable industry standard technical references.
- 9.4.3.6 **Message Screening**
- 9.4.3.6.1 BellSouth shall set message screening parameters so as to accept valid messages from Actel local or tandem switching systems destined to any signaling point within BellSouth's SS7 network where the Actel switching system has a legitimate signaling relation.
- 9.4.3.6.2 BellSouth shall set message screening parameters so as to pass valid messages from Actel local or tandem switching systems destined to any signaling point or network accessed through BellSouth's SS7 network where the Actel switching system has a legitimate signaling relation.
- 9.4.3.6.3 BellSouth shall set message screening parameters so as to accept and pass/send valid messages destined to and from Actel from any signaling point or network interconnected through BellSouth's SS7 network where the Actel SCP has a legitimate signaling relation.
- 9.4.4 STPs shall be equal to or better than all of the requirements for STPs set forth in the applicable industry standard technical references.
- 9.5 **Service Control Points/Databases**
- 9.5.1 **Definition**
- 9.5.1.1 Databases are the Network Elements that provide the functionality for storage of, access to, and manipulation of information required to offer a particular service and/or capability. Databases include, but are not limited to: Local Number Portability, LIDB, Toll Free Number Database, Automatic Location Identification/Data Management System, Calling Name Database, access to Service Creation Environment and Service Management System (SCE/SMS) application databases and Directory Assistance.
- 9.5.2 A Service Control Point (SCP) is a specific type of Database functionality deployed in a Signaling System 7 (SS7) network that executes service application logic in response to SS7 queries sent to it by a switching system also connected to the SS7 network. Service Management Systems provide operational interfaces to allow for provisioning, administration and maintenance of subscriber data and service application data stored in SCPs.

9.5.3 Technical Requirements for SCPs/Databases

9.5.3.1 Requirements for SCPs/Databases within this section address storage of information, access to information (e.g. signaling protocols, response times), and administration of information (e.g., provisioning, administration, and maintenance). All SCPs/Databases shall be provided to Actel in accordance with the following requirements.

9.5.3.2 BellSouth shall provide physical access to SCPs through the SS7 network and protocols with TCAP as the application layer protocol.

9.5.3.3 BellSouth shall provide physical interconnection to databases via industry standard interfaces and protocols (e.g. SS7, ISDN and X.25).

9.5.3.4 The reliability of interconnection options shall be consistent with requirements for diversity and survivability.

9.5.4 Database Availability

9.5.4.1 Call processing databases shall have a maximum unscheduled unavailability of 30 minutes per year. Unavailability due to software and hardware upgrades shall be scheduled during minimal usage periods and only be undertaken upon proper notification to providers, which might be impacted. Any downtime associated with the provision of call processing related databases will impact all service providers, including BellSouth, equally.

9.5.4.2 The operational interface provided by BellSouth shall complete Database transactions (i.e., add, modify, delete) for Actel customer records stored in BellSouth databases within 3 days, or sooner where BellSouth provisions its own customer records within a shorter interval.

9.6 **Local Number Portability Database**

9.6.1 Definition

9.6.2 The Permanent Number Portability (PNP) database supplies routing numbers for calls involving numbers that have been ported from one local service provider to another. PNP is currently being worked in industry forums. The results of these forums will dictate the industry direction of PNP. BellSouth agrees to provide access to the PNP database at rates, terms and conditions as set forth by BellSouth and in accordance with an effective FCC or Commission directive.

9.7 **SS7 Network Interconnection**

9.7.1 Definition.

- 9.7.2 SS7 Network Interconnection is the interconnection of Actel local Signaling Transfer Point Switches (STP) and Actel local or tandem switching systems with BellSouth STPs. This interconnection provides connectivity that enables the exchange of SS7 messages among BellSouth switching systems and databases (DBs), Actel local or tandem switching systems, and other third-party switching systems directly connected to the BellSouth SS7 network.
- 9.7.3 **Technical Requirements**
- 9.7.3.1 SS7 Network Interconnection shall provide connectivity to all components of the BellSouth SS7 network. These include:
- 9.7.3.1.1 BellSouth local or tandem switching systems;
 - 9.7.3.1.2 BellSouth DBs; and
 - 9.7.3.1.3 Other third-party local or tandem switching systems.
- 9.7.4 The connectivity provided by SS7 Network Interconnection shall fully support the functions of BellSouth switching systems and DBs and Actel or other third-party switching systems with A-link access to the BellSouth SS7 network.
- 9.7.5 If traffic is routed based on dialed or translated digits between a Actel local switching system and a BellSouth or other third-party local switching system, either directly or via a BellSouth tandem switching system, then it is a requirement that the BellSouth SS7 network convey via SS7 Network Interconnection the TCAP messages that are necessary to provide Call Management services (Automatic Callback, Automatic Recall, and Screening List Editing) between the Actel local STPs and BellSouth or other third-party local switch.
- 9.7.6 When the capability to route messages based on Intermediate Signaling Network Identifier (ISNI) is generally available on BellSouth STPs, the BellSouth SS7 Network shall also convey TCAP messages using SS7 Network Interconnection in similar circumstances where the BellSouth switch routes traffic based on a Carrier Identification Code (CIC).
- 9.7.7 SS7 Network Interconnection shall provide all functions of the MTP as specified in ANSI T1.111. This includes:
- 9.7.7.1 Signaling Data Link functions, as specified in ANSI T1.111.2;
 - 9.7.7.2 Signaling Link functions, as specified in ANSI T1.111.3; and
 - 9.7.7.3 Signaling Network Management functions, as specified in ANSI T1.111.4.

- 9.7.8 SS7 Network Interconnection shall provide all functions of the SCCP necessary for Class 0 (basic connectionless) service, as specified in ANSI T1.112. In particular, this includes Global Title Translation (GTT) and SCCP Management procedures, as specified in T1.112.4. Where the destination signaling point is a BellSouth switching system or DB, or is another third-party local or tandem switching system directly connected to the BellSouth SS7 network, SS7 Network Interconnection shall include final GTT of messages to the destination and SCCP Subsystem Management of the destination. Where the destination signaling point is a Actel local or tandem switching system, SS7 Network Interconnection shall include intermediate GTT of messages to a gateway pair of Actel local STPs, and shall not include SCCP Subsystem Management of the destination.
- 9.7.9 SS7 Network Interconnection shall provide all functions of the Integrated Services Digital Network User Part (ISDNUP), as specified in ANSI T1.113.
- 9.7.10 SS7 Network Interconnection shall provide all functions of the TCAP, as specified in ANSI T1.114.
- 9.7.11 If and when Internetwork MTP Routing Verification Test (MRVT) and SCCP Routing Verification Test (SRVT) become approved ANSI standards and available capabilities of BellSouth STPs, SS7 Network Interconnection shall provide these functions of the OMAP.
- 9.7.12 SS7 Network Interconnection shall be equal to or better than the following performance requirements:
- 9.7.12.1 MTP Performance, as specified in ANSI T1.111.6;
- 9.7.12.2 SCCP Performance, as specified in ANSI T1.112.5; and
- 9.7.12.3 ISDNUP Performance, as specified in ANSI T1.113.5.
- 9.7.13 Interface Requirements
- 9.7.13.1 BellSouth shall offer the following SS7 Network Interconnection options to connect Actel or Actel-designated local or tandem switching systems or STPs to the BellSouth SS7 network:
- 9.7.13.1.1 A-link interface from Actel local or tandem switching systems; and
- 9.7.13.1.2 B-link interface from Actel STPs.
- 9.7.13.2 The Signaling Point of Interconnection (SPOI) for each link shall be located at a cross-connect element, such as a DSX-1, in the Central Office (CO) where the BellSouth STP is located. There shall be a DS1 or higher rate transport interface at each of the SPOIs. Each signaling link shall appear as a DS0 channel within the DS1 or higher rate interface. BellSouth shall offer higher rate DS1 signaling

links for interconnecting Actel local switching systems or STPs with BellSouth STPs as soon as these become approved ANSI standards and available capabilities of BellSouth STPs. BellSouth and Actel will work jointly to establish mutually acceptable SPOI.

- 9.7.13.3 BellSouth CO shall provide intraoffice diversity between the SPOIs and the BellSouth STP, so that no single failure of intraoffice facilities or equipment shall cause the failure of both B-links in a layer connecting to a BellSouth STP. BellSouth and Actel will work jointly to establish mutually acceptable SPOI.
- 9.7.13.4 The protocol interface requirements for SS7 Network Interconnection include the MTP, ISDNUP, SCCP, and TCAP. These protocol interfaces shall conform to the applicable industry standard technical references.
- 9.7.13.5 BellSouth shall set message screening parameters to accept messages from Actel local or tandem switching systems destined to any signaling point in the BellSouth SS7 network with which the Actel switching system has a legitimate signaling relation.
- 9.7.13.6 SS7 Network Interconnection shall be equal to or better than all of the requirements for SS7 Network Interconnection set forth in the applicable industry standard technical references.

9.8 Rates

The prices that Actel shall pay to BellSouth for Network Elements and Other Services are set forth in Exhibit C to this Attachment. If Actel purchases a service(s) from a tariff, all terms and conditions and rates as set forth in such tariff shall apply.

9.9 Operational Support Systems (OSS)

The terms, conditions and rates for OSS are as set forth in Section 2.13 of this Attachment.

10. Operator Call Processing, Inward Operator Services and Directory Assistance Services

- 10.1 All of the negotiated rates, terms and conditions set forth in this Section pertain to the provision of Operator Call Processing, Inward Operator Services and Directory Assistance Services.

10.2 Operator Systems

- 10.2.1 Definition. Operator Systems is the Network Element that provides operator and automated call handling and billing, special services, end user telephone listings and optional call completion services. The Operator Systems, Network Element

provides two types of functions: Operator Service functions and Directory Assistance Service functions, each of which are described in detail below.

10.3 **Operator Service**

10.3.1 **Definition.** Operator Service provides: (1) operator handling for call completion (for example, collect, third number billing, and manual credit card calls), (2) operator or automated assistance for billing after the end user has dialed the called number (for example, credit card calls); and (3) special services including but not limited to Busy Line Verification and Emergency Line Interrupt (ELI), Emergency Agency Call, Operator-assisted Directory Assistance, and Rate Quotes.

10.3.2 **Requirements**

10.3.2.1 When Actel requests BellSouth to provide Operator Services, the following requirements apply:

10.3.2.1.1 BellSouth shall complete 0+ and 0- dialed local calls.

10.3.2.1.2 BellSouth shall complete 0+ intraLATA toll calls.

10.3.2.1.3 BellSouth shall process calls that are billed to Actel end user's calling card that can be validated by BellSouth.

10.3.2.1.4 BellSouth shall complete person-to-person calls.

10.3.2.1.5 BellSouth shall complete collect calls.

10.3.2.1.6 BellSouth shall provide the capability for callers to bill to a third party and complete such calls.

10.3.2.1.7 BellSouth shall complete station-to-station calls.

10.3.2.1.8 BellSouth shall process emergency calls.

10.3.2.1.9 BellSouth shall process Busy Line Verify and Emergency Line Interrupt requests.

10.3.2.1.10 BellSouth shall process emergency call trace, as it does for its own end users prior to the Effective Date. Call must originate from a 911 provider.

10.3.2.1.11 BellSouth shall process operator-assisted directory assistance calls.

10.3.2.1.12 BellSouth shall adhere to equal access requirements, providing Actel local end users the same IXC access as provided to BellSouth end users.

10.3.2.1.13 BellSouth shall exercise at least the same level of fraud control in providing Operator Service to Actel that BellSouth provides for its own operator service.

- 10.3.2.1.14 BellSouth shall perform Billed Number Screening when handling Collect, Person-to-Person, and Billed-to-Third-Party calls.
- 10.3.2.1.15 BellSouth shall direct customer account and other similar inquiries to the customer service center designated by Actel.
- 10.3.2.1.16 BellSouth shall provide a feed of customer call records in "EMI" format to Actel in accordance with CLEC ODUF standards specified in Attachment 7.

10.3.3 Interface Requirements

- 10.3.3.1 With respect to Operator Services for calls that originate on local switching capability provided by or on behalf of Actel, the interface requirements shall conform to the then current established system interface specifications for the platform used to provide Operator Service and the interface shall conform to industry standards.

10.4 **Directory Assistance Service**

- 10.4.1 Definition. Directory Assistance Service provides local end user telephone number listings with the option to complete the call at the caller's direction separate and distinct from local switching.

10.4.2 Requirements

- 10.4.3 Directory Assistance Service shall provide up to two listing requests per call. If available and if requested by Actel's end user, BellSouth shall provide caller-optional directory assistance call completion service at rates contained in this Attachment to one of the provided listings, equal to that which BellSouth provides its end users. If not available, Actel may request such requirement pursuant to the BFR/NBR Process as set forth in General Terms and Conditions.

10.4.4 Directory Assistance Service Updates

- 10.4.4.1 BellSouth shall update end user listings changes daily. These changes include:
 - 10.4.4.1.1 New end user connections: BellSouth will provide service to Actel that is equal to the service it provides to itself and its end users;
 - 10.4.4.1.2 End user disconnections: BellSouth will provide service to Actel that is equal to the service it provides to itself and its end users; and
 - 10.4.4.1.3 End user address changes: BellSouth will provide service to Actel that is equal to the service it provides to itself and its end users;
 - 10.4.4.1.4 These updates shall also be provided for non-listed and non-published numbers for use in emergencies.

- 10.4.5 **Branding for Operator Call Processing and Directory Assistance**
- 10.4.5.1 The BellSouth Operator Systems Branding Feature provides a definable announcement to Actel end users using Directory Assistance (DA)/Operator Call Processing (OCP) prior to placing them in queue or connecting them to an available operator or automated operator system. This feature allows Actel to have its calls custom branded with Actel's name on whose behalf BellSouth is providing Directory Assistance and/or Operator Call Processing. Rates for Custom Branding, Operator Call Process and Directory Assistance are set forth in this Attachment.
- 10.4.5.2 BellSouth offers four service levels of branding to Actel when ordering Directory Assistance and/or Operator Call Processing.
- 10.4.5.2.1 Service Level 1 - BellSouth Branding
- 10.4.5.2.2 Service Level 2 - Unbranded
- 10.4.5.2.3 Service Level 3 - Custom Branding
- 10.4.5.2.4 Service Level 4 - Self Branding (applicable only to Actel for Resale or use with an Unbundled Port when routing to an operator service provider other than BellSouth).
- 10.4.6 **For Resellers and Use with an Unbundled Port**
- 10.4.6.1 BellSouth Branding is the Default Service Level.
- 10.4.6.2 Unbranding, Custom Branding, and Self Branding require Actel to order selective routing for each originating BellSouth end office identified by Actel. Rates for Selective Routing are set forth in this Attachment.
- 10.4.6.3 Custom Branding and Self Branding require Actel to order dedicated trunking from each BellSouth end office identified by Actel, to either the BellSouth Traffic Operator Position System (TOPS) or Actel Operator Service Provider. Rates for trunks are set forth in applicable BellSouth tariffs.
- 10.4.6.4 Unbranding - Unbranded Directory Assistance and/or Operator Call Processing calls ride common trunk groups provisioned by BellSouth from those end offices identified by Actel to the BellSouth TOPS. These calls are routed to "No Announcement."
- 10.4.7 **For Facilities Based Carriers**
- 10.4.7.1 All Service Levels require Actel to order dedicated trunking from their end office(s) point of interface to the BellSouth TOPS Switches. Rates for trunks are set forth in applicable BellSouth tariffs.

- 10.4.7.2 Customized Branding includes charges for the recording of the branding announcement and the loading of the audio units in each TOPS Switch, Interactive Voice Subsystem (IVS) and Network Applications Vehicle (NAV) equipment for which Actel requires service.
- 10.4.8 Directory Assistance customized branding uses:
 - 10.4.8.1 the recording of the name;
 - 10.4.8.2 the front-end loading of the Digital Recorded Announcement Machine (DRAM) in each TOPS switch.
- 10.4.9 Operator Call Processing customized branding uses:
 - 10.4.9.1 the recording of the name;
 - 10.4.9.2 the front-end loading of the DRAM in the TOPS Switch;
 - 10.4.9.3 the back-end loading in the audio units in the Automated Alternate Billing System (AABS) in the Interactive Voice Subsystem (IVS);
 - 10.4.9.4 the 0- automation loading for the audio units in the Enhanced Billing and Access Service (EBAS) in the Network Applications Vehicle (NAV).
 - 10.4.9.5 BellSouth will provide to Actel purchasing local BellSouth switching and reselling BellSouth local exchange service, selective routing of calls to a requested directory assistance services platform or operator services platform. Actel end users may use the same dialing arrangements as BellSouth end users, but obtain a Actel branded service.
- 10.5 **Directory Assistance Database Service (DADS)**
 - 10.5.1 BellSouth shall make its Directory Assistance Database Service (DADS) available solely for the expressed purpose of providing Directory Assistance type services to Actel end users. The term "end user" denotes any entity which obtains Directory Assistance type services for its own use from a DADS customer. Directory Assistance type service is defined as Voice Directory Assistance (DA Operator assisted and Electronic Directory Assistance (Data System assisted)). Actel agrees that DADS will not be used for any purpose which violates federal or state laws, statutes, regulatory orders or tariffs. Except for the permitted users, Actel agrees not to disclose DADS to others and shall provide due care in providing for the security and confidentiality of DADS. Further, Actel authorizes the inclusion of Actel Directory Assistance listings in the BellSouth Directory Assistance products.
 - 10.5.2 BellSouth shall provide Actel initially with a base file of subscriber listings which reflect all listing change activity occurring since Actel's most recent update via

magnetic tape, and subsequently using electronic connectivity such as Network Data Mover to be developed mutually by Actel and BellSouth. Actel agrees to assume the costs associated with CONNECT: Direct™ connectivity, which will vary depending upon volume and mileage.

- 10.5.3 BellSouth will require approximately one month after receiving an order to prepare the Base File. BellSouth will provide daily updates which will reflect all listing change activity occurring since CLEC's most recent update. BellSouth shall provide updates to Actel on a Business, Residence, or combined Business and Residence basis. Actel agrees that the updates shall be used solely to keep the information current. Delivery of Daily Updates will commence the day after Actel receives the Base File.
- 10.5.4 BellSouth is authorized to include Actel Directory Assistance Listing Information in its DADS. Any other use by BellSouth of Actel Directory Assistance Listing Information is not authorized and with the exception of a request for DADS, BellSouth shall refer any request for such information to Actel.
- 10.5.5 Rates for DADS are as set forth in this Attachment.
- 10.6 **Direct Access to Directory Assistance Service**
- 10.6.1 Direct Access to Directory Assistance Service (DADAS) will provide Actel's directory assistance operators with the ability to search all available BellSouth subscriber listings using the Directory Assistance search format. Subscription to DADAS will allow Actel to utilize its own switch, operator workstations and optional audio subsystems.
- 10.6.2 Rates, terms and conditions for provisioning DADAS are as set forth in the FCC tariff No. 1.
- 10.7 **Automatic Location Identification/Data Management System (ALI/DMS)**
- 10.7.1 The ALI/DMS Database contains end user information (including name, address, telephone information, and sometimes special information from the local service provider or end user) used to determine to which Public Safety Answering Point (PSAP) to route the call. The ALI/DMS database is used to provide more routing flexibility for E911 calls than Basic 911. BellSouth shall provide the Emergency Services Database in accordance with the following:
- 10.7.2 **Technical Requirements**
- 10.7.2.1 BellSouth shall offer Actel a data link to the ALI/DMS database or permit Actel to provide its own data link to the ALI/DMS database. BellSouth shall provide error reports from the ALI/DMS database to Actel immediately after Actel inputs information into the ALI/DMS database. Alternately, Actel may utilize

BellSouth, to enter end user information into the database on a demand basis, and validate end user information on a demand basis.

10.7.2.2 The ALI/DMS database shall contain the following end user information:

10.7.2.2.1 Name;

10.7.2.2.2 Address;

10.7.2.2.3 Telephone number; and

10.7.2.2.4 Other information as appropriate (e.g., whether an end user is blind or deaf or has another disability).

10.7.2.3 When BellSouth is responsible for administering the ALI/DMS database in its entirety, ported number NXXs entries for the ported numbers should be maintained unless Actel requests otherwise and shall be updated if Actel requests, provided Actel supplies BellSouth with the updates.

10.7.2.4 When Remote Call Forwarding (RCF) is used to provide number portability to the local end user and a remark or other appropriate field information is available in the database, the shadow or "forwarded-to" number and an indication that the number is ported shall be added to the customer record.

10.7.2.5 If BellSouth is responsible for configuring PSAP features (for cases when the PSAP or BellSouth supports an ISDN interface) it shall ensure that CLASS Automatic Recall (Call Return) is not used to call back to the ported number. Although BellSouth currently does not have ISDN interface, BellSouth agrees to comply with this requirement once ISDN interfaces are in place.

10.7.3 Interface Requirements

The interface between the E911 Switch or Tandem and the ALI/DMS database for Actel end users shall meet industry standards.

10.8 Rates

The prices that Actel shall pay to BellSouth for Network Elements and Other Services are set forth in Exhibit C to this Attachment. If Actel purchases a service(s) from a tariff, all terms and conditions and rates as set forth in such tariff shall apply.

10.9 Operational Support Systems (OSS)

The terms, conditions and rates for OSS are as set forth in Section 2.13 of this Attachment.

- 11. **Calling Name (CNAM) Database Service**
- 11.1 All of the negotiated rates, terms and conditions set forth in this Section pertain to the provision of CNAM.
- 11.2 The Agreement for CNAM with standard pricing is included as Exhibit B to this Attachment. Actel must provide to its account manager a written request with a requested activation date to activate this service. If Actel is interested in requesting CNAM with volume and term pricing, Actel must contact its account manager to request a separate CNAM volume and term Agreement.
- 11.3 SCPs/Databases shall be equal to or better than all of the requirements for SCPs/Databases set forth in the applicable industry standard technical references.
- 11.4 **Service Creation Environment and Service Management System (SCE/SMS) Advanced Intelligent Network (AIN) Access**
- 11.4.1 BellSouth's Service Creation Environment and Service Management System (SCE/SMS) Advanced Intelligent Network (AIN) Access shall provide Actel the capability that will allow Actel and other third parties to create service applications in a BellSouth SCE and deploy those applications in a BellSouth SMS to a BellSouth SCP. The third party service applications interact with AIN triggers provisioned on a BellSouth SSP.
- 11.4.2 BellSouth's SCE/SMS AIN Access shall provide access to SCE hardware, software, testing and technical support (e.g., help desk, system administrator) resources available to Actel. Scheduling procedures shall provide Actel equivalent priority to these resources.
- 11.4.2 BellSouth SCP shall partition and protect Actel service logic and data from unauthorized access, execution or other types of compromise.
- 11.4.3 When Actel selects SCE/SMS AIN Access, BellSouth shall provide training, documentation, and technical support to enable Actel to use BellSouth's SCE/SMS AIN Access to create and administer applications. Training, documentation, and technical support will address use of SCE and SMS access and administrative functions, but will not include support for the creation of a specific service application.
- 11.4.4 When Actel selects SCE/SMS AIN Access, BellSouth shall provide for a secure, controlled access environment in association with its internal use of AIN components. Actel access will be provided via remote data connection (e.g., dial-in, ISDN).
- 11.4.5 When Actel selects SCE/SMS AIN Access, BellSouth shall allow Actel to download data forms and/or tables to BellSouth SCP via BellSouth SMS without

intervention from BellSouth (e.g., service customization and end user subscription).

11.5 **Rates**

The prices that Actel shall pay to BellSouth for Network Elements and Other Services are set forth in Exhibit C to this Attachment. If Actel purchases a service(s) from a tariff, all terms and conditions and rates as set forth in such tariff shall apply.

11.6 **Operational Support Systems (OSS)**

The terms, conditions and rates for OSS are as set forth in Section 2.13 of this Attachment.

12. **Basic 911 and E911**

12.1 All of the negotiated terms and conditions set forth in this Section pertain to the provision of Basic 911 and E911.

12.2 If Actel orders network elements and other services, then Actel is also responsible for providing E911 to its end users. BellSouth agrees to offer access to the 911/E911 network pursuant to the following terms and conditions set forth in this Attachment.

12.3 **Definition**

12.4 Basic 911 and E911 is an additional requirement that provides a caller access to the applicable emergency service bureau by dialing a 3-digit universal telephone number (911).

12.5 **Requirements**

12.5.1 **Basic 911 Service Provisioning.** For Basic 911 service, BellSouth will provide to Actel a list consisting of each municipality that subscribes to Basic 911 service. The list will also provide, if known, the E911 conversion date for each municipality and, for network routing purposes, a ten-digit directory number representing the appropriate emergency answering position for each municipality subscribing to 911. Actel will be required to arrange to accept 911 calls from its end users in municipalities that subscribe to Basic 911 service and translate the 911 call to the appropriate 10-digit directory number as stated on the list provided by BellSouth. Actel will be required to route that call to BellSouth at the appropriate tandem or end office. When a municipality converts to E911 service, Actel will be required to discontinue the Basic 911 procedures and being using E911 procedures.

- 12.5.2 **E911 Service Provisioning.** For E911 service, Actel will be required to install a minimum of two dedicated trunks originating from the Actel serving wire center and terminating to the appropriate E911 tandem. The dedicated trunks shall be, at a minimum, DS-0 level trunks configured either as a 2-wire analog interface or as part of a digital (1.544 Mb/s) interface. Either configuration shall use CAMA-type signaling with multifrequency ("MF") pulsing that will deliver automatic number identification ("ANI") with the voice portion of the call. If the user interface is digital, MF pulses, as well as other AC signals, shall be encoded per the u-255 Law convention. Actel will be required to provide BellSouth daily updates to the E911 database. Actel will be required to forward 911 calls to the appropriate E911 tandem, along with ANI, based upon the current E911 end office to tandem homing arrangement as provided by BellSouth. If the E911 tandem trunks are not available, Actel will be required to route the call to a designated 7-digit local number residing in the appropriate Public Service Answering Point ("PSAP"). This call will be transported over BellSouth's interoffice network and will not carry the ANI of the calling party. Actel shall be responsible for providing BellSouth with complete and accurate data for submission to the 911/E911 database for the purpose of providing 911/E911 to its end users.
- 12.5.3 **Rates.** Charges for 911/E911 service are borne by the municipality purchasing the service. BellSouth will impose no charge on Actel beyond applicable charges for BellSouth trunking arrangements.
- 12.5.4 Basic 911 and E911 functions provided to Actel shall be at least at parity with the support and services that BellSouth provides to its end users for such similar functionality.
- 12.5.5 **Detailed Practices and Procedures.** The detailed practices and procedures contained in the E911 Local Exchange Carrier Guide For Facility-Based Providers as amended from time to time during the term of this Agreement will determine the appropriate practices and procedures for BellSouth and Actel to follow in providing 911/E911 services.
13. **True-Up**
- This section applies only to Tennessee and other rates that are interim or expressly subject to true-up under this attachment.**
- 13.1 The interim prices for Network Elements and Other Services and Local Interconnection shall be subject to true-up according to the following procedures:
- 13.2 The interim prices shall be true-up, either up or down, based on final prices determined either by further agreement between the Parties, or by a final order (including any appeals) of the Commission which final order meets the criteria of (3) below. The Parties shall implement the true-up by comparing the actual

volumes and demand for each item, together with interim prices for each item, with the final prices determined for each item. Each Party shall keep its own records upon which the true-up can be based, and any final payment from one Party to the other shall be in an amount agreed upon by the Parties based on such records. In the event of any disagreement as between the records or the Parties regarding the amount of such true-up, the Parties agree that the body having jurisdiction over the matter shall be called upon to resolve such differences, or the Parties may mutually agree to submit the matter to the Dispute Resolution process in accordance with the provisions of Section 12 of the General Terms and Conditions and Attachment 1 of the Agreement.

13.3

The Parties may continue to negotiate toward final prices, but in the event that no such Agreement is reached within nine (9) months, either Party may petition the Commission to resolve such disputes and to determine final prices for each item. Alternatively, upon mutual agreement, the Parties may submit the matter to the Dispute Resolution Process set forth in Section 12 of the General Terms and Conditions and Attachment 1 of the Agreement, so long as they file the resulting Agreement with the Commission as a "negotiated Agreement" under Section 252(e) of the Act.

- (a) 13.4 An effective order of the Commission that forms the basis of a true-up shall be based upon cost studies submitted by either or both Parties to the Commission and shall be binding upon BellSouth and Actel specifically or upon all carriers generally, such as a generic cost proceeding.

EXHIBIT A

**LINE INFORMATION DATA BASE (LIDB)
STORAGE AGREEMENT**

I. SCOPE

- A. This Agreement sets forth the terms and conditions pursuant to which BellSouth agrees to store in its LIDB certain information at the request of Actel and pursuant to which BellSouth, its LIDB customers and Actel shall have access to such information. Actel understands that BellSouth provides access to information in its LIDB to various telecommunications service providers pursuant to applicable tariffs and agrees that information stored at the request of Actel, pursuant to this Agreement, shall be available to those telecommunications service providers. The terms and conditions contained herein shall hereby be made a part of this Interconnection Agreement upon notice to Actel's account team to activate this LIDB Storage Agreement. The General Terms and Conditions of the Interconnection/Resale Agreement shall govern this LIDB Storage Agreement. The terms and conditions contained in the attached Addendum is hereby made a part of this LIDB Storage Agreement as if fully incorporated herein.
- B. LIDB is accessed for the following purposes:
1. Billed Number Screening
 2. Calling Card Validation
 3. Fraud Control
- C. BellSouth will provide seven days per week, 24-hours per day, fraud monitoring on Calling Cards, bill-to-third and collect calls made to numbers in BellSouth's LIDB, provided that such information is included in the LIDB query. BellSouth will establish fraud alert thresholds and will notify Actel of fraud alerts so that Actel may take action it deems appropriate. Actel understands and agrees BellSouth will administer all data stored in the LIDB, including the data provided by Actel pursuant to this Agreement, in the same manner as BellSouth's data for BellSouth's end user customers. BellSouth shall not be responsible to Actel for any lost revenue which may result from BellSouth's administration of the LIDB pursuant to its established practices and procedures as they exist and as they may be changed by BellSouth in its sole discretion from time to time.

Actel understands that BellSouth currently has in effect numerous billing and collection agreements with various interexchange carriers and billing clearinghouses. Actel further understands that these billing and collection customers of BellSouth query BellSouth's LIDB to determine whether to accept various billing options from end users. Additionally, Actel understands that presently BellSouth has no method to differentiate between BellSouth's own billing and line data in the LIDB and such data which it includes in the LIDB on Actel's behalf pursuant to this Agreement. Therefore, until such time as BellSouth can and does implement in its LIDB and its supporting systems the means to differentiate Actel's data from BellSouth's data and the Parties to this Agreement execute appropriate amendments hereto, the following terms and conditions shall apply:

- (a) Actel agrees that it will accept responsibility for telecommunications services billed by BellSouth for its billing and collection customers for Actel's end user accounts which are resident in LIDB pursuant to this Agreement. Actel authorizes BellSouth to place such charges on Actel's bill from BellSouth and agrees that it shall pay all such charges. Charges for which Actel hereby takes responsibility include, but are not limited to, collect and third number calls.
- (b) Charges for such services shall appear on a separate BellSouth bill page identified with the name of the entity for which BellSouth is billing the charge.
- (c) Actel shall have the responsibility to render a billing statement to its end users for these charges, but Actel's obligation to pay BellSouth for the charges billed shall be independent of whether Actel is able or not to collect from Actel's end users.
- (d) BellSouth shall not become involved in any disputes between Actel and the entities for which BellSouth performs billing and collection. BellSouth will not issue adjustments for charges billed on behalf of an entity to Actel. It shall be the responsibility of Actel and the other entity to negotiate and arrange for any appropriate adjustments.

II. FEES FOR SERVICE AND TAXES

- A. Actel will not be charged a fee for storage services provided by BellSouth to Actel, as described in Section I of this Agreement.
- B. Sales, use and all other taxes (excluding taxes on BellSouth's income) determined by BellSouth or any taxing authority to be due to any federal, state or local taxing jurisdiction with respect to the provision of the service set forth herein will be paid by

Actel in accordance with the tax provisions set forth in the General Terms and Conditions of this Agreement.

III. MISCELLANEOUS

- A. It is understood and agreed to by the Parties that BellSouth may provide similar services to other companies.
- B. All terms, conditions and operations under this Agreement shall be performed in accordance with, and subject to, all applicable local, state or federal legal and regulatory tariffs, rulings, and other requirements of the federal courts, the U. S. Department of Justice and state and federal regulatory agencies. Nothing in this Agreement shall be construed to cause either Party to violate any such legal or regulatory requirement and either Party's obligation to perform shall be subject to all such requirements.
- C. This LIDB Storage Agreement constitutes the entire Agreement between Actel and BellSouth with respect to the subject matter hereof and supersedes all prior Agreements or contracts, oral or written representations, statements, negotiations, understandings, proposals and undertakings with respect to LIDB Storage.

**FACILITIES BASED ADDENDUM
TO LINE INFORMATION DATA BASE (LIDB)
STORAGE AGREEMENT**

This is a Facilities Based Addendum to the Line Information Data Base Storage Agreement dated _____, between BellSouth Telecommunications, Inc. ("BellSouth"), and _____ ("Actel"), effective the _____ day of _____.

I. GENERAL

This Addendum sets forth the terms and conditions for Actel's provision of billing number information to BellSouth for inclusion in BellSouth's LIDB. BellSouth will store in its LIDB the billing number information provided by Actel, and BellSouth will provide responses to on-line, call-by-call queries to this information for purposes specified in Section I.B. of the Agreement.

II. DEFINITIONS

- A. **Billing number** - a number that Actel creates for the purpose of identifying an account liable for charges. This number may be a line or a special billing number.
- B. **Line number** - a ten digit number that identifies a telephone line administered by Actel.
- C. **Special billing number** - a ten-digit number that identifies a billing account established by Actel.
- D. **Calling Card number** - a billing number plus PIN number.
- E. **PIN number** - a four-digit security code assigned by Actel which is added to a billing number to compose a fourteen-digit calling card number.
- F. **Toll billing exception indicator** - associated with a billing number to indicate that it is considered invalid for billing of collect calls or third number calls or both, by Actel.

- G. Billed Number Screening - refers to the activity of determining whether a toll billing exception indicator is present for a particular billing number.
- H. Calling Card Validation - refers to the activity of determining whether a particular calling card number exists as stated or otherwise provided by a caller.
- I. Billing number information - information about billing number, Calling Card number and toll billing exception indicator provided to BellSouth by Actel.

III. RESPONSIBILITIES OF PARTIES

- A. Actel will provide its billing number information to BellSouth's LIDB each business day by a method that has been mutually agreed upon by both Parties.
- B. BellSouth will store in its LIDB the billing number information provided by Actel. Under normal operating conditions, BellSouth shall include Actel's billing number information in its LIDB no later than two business days following BellSouth's receipt of such billing number information, provided that BellSouth shall not be held responsible for any delay or failure in performance to the extent such delay or failure is caused by circumstances or conditions beyond BellSouth's reasonable control. BellSouth will store in its LIDB an unlimited volume of Actel's working telephone numbers.
- C. BellSouth will provide responses to on-line, call-by-call queries to the stored information for the specific purposes listed in the next paragraph.
- D. BellSouth is authorized to use the billing number information provided by Actel to perform the following functions for authorized users on an on-line basis:
 - 1. Validate a 14 digit Calling Card number where the first 10 digits are a line number or special billing number assigned by Actel, and where the last four digits (PIN) are a security code assigned by Actel.
 - 2. Determine whether Actel or the subscriber has identified the billing number as one which should not be billed for collect or third number calls, or both.
- E. Actel will provide its own billing number information to BellSouth for storage and to be used for Billed Number Screening and Calling Card Validation. Actel will arrange and pay for transport of updates to BellSouth.

IV. COMPLIANCE

Unless expressly authorized in writing by Actel, all billing number information provided pursuant to this Addendum shall be used for no purposes other than those set forth in this Addendum.

EXHIBIT B

CALLING NAME DELIVERY (CNAM) DATABASE SERVICES

1. Definitions

For the purpose of this Attachment, the following terms shall be defined as:

CALLING NAME DELIVERY DATABASE SERVICE (CNAM) - The ability to associate a name with the calling party number, allowing the end user subscriber (to which a call is being terminated) to view the calling party's name before the call is answered. This service also provides Actel the opportunity to load and store its subscriber names in the BellSouth CNAM SCPs.

CALLING PARTY NUMBER (CPN) - The number of the calling party that is delivered to the terminating switch using common channel signaling system 7 (CCS7) technology, and that is contained in the Initial Address Message (IAM) portion of the CCS7 call setup.

COMMON CHANNEL SIGNALING SYSTEM 7 (CCS7) - A network signaling technology in which all signaling information between two or more nodes is transmitted over high-speed data links, rather than over voice circuits.

SERVICE CONTROL POINTs (SCPs) - The real-time data base systems that contain the names to be provided in response to queries received from CNAM SSPs.

SERVICE MANAGEMENT SYSTEM (SMS) - The main operations support system of CNAM DATABASE SERVICE. CNAM records are loaded into the SMS, which in turn downloads into the CNAM SCP.

SERVICE SWITCHING POINTs (SSPs) - Features of computerized switches in the telephone network that determine that a terminating line has subscribed to CNAM service, and then communicate with CNAM SCPs in order to provide the name associated with the calling party number.

SUBSYSTEM NUMBER (SSN) - The address used in the Signaling Connection Control Part (SCCP) layer of the SS7 protocol to designate an application at an end signaling point. A SSN for CNAM at the end office designates the CNAM application within the end office. BellSouth uses the CNAM SSN of 232.

2. Attachment

2.1 This Attachment contains the terms and conditions where BellSouth will provide to Actel access to the BellSouth CNAM SCP for query or record storage purposes.

2.2 Actel shall submit to BellSouth a notice of its intent to access and utilize BellSouth CNAM Database Services pursuant to the terms and conditions of this Attachment. Said notice shall be in writing, no less than 60 days prior to Actel's access to

BellSouth's CNAM Database Services and shall be addressed to Actel's Account Manager.

3. Physical Connection and Compensation

3.1 BellSouth's provision of CNAM Database Services to Actel requires interconnection from Actel to BellSouth CNAM Service Control Points (SCPs). Such interconnections shall be established pursuant to Attachment 3 of this Agreement. The appropriate charge for access to and use of the BellSouth CNAM Database service shall be as set forth in this Attachment.

3.2 In order to formulate a CNAM query to be sent to the BellSouth CNAM SCP, Actel shall provide its own CNAM SSP. Actel's CNAM SSPs must be compliant with TR-NWT-001188, "CLASS Calling Name Delivery Generic Requirements".

3.3 If Actel elects to access the BellSouth CNAM SCP via a third party CCS7 transport provider, the third party CCS7 provider shall interconnect with the BellSouth CCS7 network according to BellSouth's Common Channel Signaling Interconnection Guidelines and Telcordia (formerly BellCore)'s CCS Network Interface Specification document, TR-TSV-000905. In addition, the third party provider shall establish CCS7 interconnection at the BellSouth Local Signal Transfer Points (LSTPs) serving the BellSouth CNAM SCPs that Actel desires to query.

3.4 Out-Of-Region Customers

If the customer queries the BellSouth CNAM SCP via a third party national SS7 transport provider, the third party SS7 provider shall interconnect with the BellSouth CCS7 network according to BellSouth's Common Channel Signaling Interconnection Guidelines and Telcordia's (formerly BellCore's) CCS Network Interface Specification document, TR-TSV-000905. In addition, the third party provider shall establish SS7 interconnection at one or more of the BellSouth Gateway Signal Transfer Points (STPs). The payment of all costs associated with the transport of SS7 signals via a third party will be established by mutual agreement of the Parties in writing and shall, by this reference become an integral part of this Agreement.

4. CNAM Record Initial Load and Updates

4.1 The mechanism to be used by Actel for initial CNAM record load and/or updates shall be determined by mutual agreement. The initial load and all updates shall be provided by Actel in the BellSouth specified format and shall contain records for every working telephone number that can originate phone calls. It is the responsibility of Actel to provide accurate information to BellSouth on a current basis.

4.2 Updates to the SMS shall occur no less than once a week, reflect service order activity affecting either name or telephone number, and involve only record additions, deletions or changes.

- 4.3 Actel CNAM records provided for storage in the BellSouth CNAM SCP shall be available, on a SCP query basis only, to all Parties querying the BellSouth CNAM SCP. Further, CNAM service shall be provided by each Party consistent with state and/or federal regulation.

BELLSOUTH/Actual RATES
 NETWORK ELEMENTS
 AND OTHER SERVICES

| DESCRIPTION | USOC | FL | GA | TN |
|---|-------|----------|-----|-----|
| NIDs | | | | |
| NID to NID Cross Connect, 2-Wire or 4-Wire, NRC | UNDC2 | \$6.15 | NA | NA |
| NID to NID Cross Connect, 2-Wire or 4-Wire, NRC | UNDC4 | \$6.15 | NA | NA |
| NID, 1-2 lines, per month | UND12 | NA | NA | NA |
| NRC - 1st | UND12 | \$94.50 | TBD | TBD |
| NRC - Add'l | UND12 | \$57.22 | TBD | TBD |
| NRC - Disconnect Charge - 1st | UND12 | NA | TBD | TBD |
| NRC - Disconnect Charge - Add'l | UND12 | NA | TBD | TBD |
| NRC - Service Order submitted Electronically, per LSR | SOMEK | \$2.75 | NA | TBD |
| NRC - Service Order submitted Electronically, per LSR - Disconnect | SOMEK | \$0.42 | NA | TBD |
| NRC - Service Order submitted Manually, per LSR | SOMAN | \$21.56 | NA | TBD |
| NRC - Service Order submitted Manually, per LSR, Disconnect | SOMAN | \$3.84 | NA | TBD |
| NRC - Incremental Charge - Manual Service Order - 1st | SOMAN | NA | TBD | TBD |
| NRC - Incremental Charge - Manual Service Order - Add'l | SOMAN | NA | TBD | TBD |
| NRC - Incremental Charge - Manual Service Order - Disconnect | SOMAN | NA | TBD | TBD |
| NID, 1-6 lines, per month | UND16 | NA | NA | NA |
| NRC - 1st | UND16 | \$136.75 | TBD | TBD |
| NRC - Add'l | UND16 | \$99.47 | TBD | TBD |
| NRC - Disconnect Charge - 1st | UND16 | NA | TBD | TBD |
| NRC - Disconnect Charge - Add'l | UND16 | NA | TBD | TBD |
| NRC - Service Order submitted Electronically, per LSR | SOMEK | \$2.75 | NA | TBD |
| NRC - Service Order submitted Electronically, per LSR - Disconnect | SOMEK | \$0.42 | NA | TBD |
| NRC - Service Order submitted Manually, per LSR | SOMAN | \$21.56 | NA | TBD |
| NRC - Service Order submitted Manually, per LSR, Disconnect | SOMAN | \$3.84 | NA | TBD |
| NRC - Incremental Charge - Manual Service Order - 1st | SOMAN | \$21.56 | TBD | TBD |
| NRC - Incremental Charge - Manual Service Order - Add'l | SOMAN | NA | TBD | TBD |
| NRC - Incremental Charge - Manual Service Order - Disconnect | SOMAN | \$3.84 | TBD | TBD |
| Nonrecurring Charge - customer transfer, feature additions, changes (1) | | NA | NA | NA |
| LOOP, EXCLUDING NID | | | | |
| 2-Wire Analog VG Loop (Standard), per month | | NA | NA | NA |
| NRC - 1st | | NA | NA | NA |
| NRC - Add'l | | NA | NA | NA |
| 2-Wire Analog VG Loop (Customized), per month | | NA | NA | NA |
| NRC - 1st | | NA | NA | NA |
| NRC - Add'l | | NA | NA | NA |
| 4-Wire Analog VG Loop (Standard), per month | | NA | NA | NA |
| NRC - 1st | | NA | NA | NA |
| NRC - Add'l | | NA | NA | NA |
| 2-Wire ISDN Digital Grade Loop (Standard), per month | | NA | NA | NA |
| NRC - 1st | | NA | NA | NA |
| NRC - Add'l | | NA | NA | NA |
| 2-Wire ADSL Loop (Standard), per month | | NA | NA | NA |
| NRC - 1st | | NA | NA | NA |
| NRC - Add'l | | NA | NA | NA |
| 2-Wire HDSL Loop (Standard), per month | | NA | NA | NA |
| NRC - 1st | | NA | NA | NA |
| NRC - Add'l | | NA | NA | NA |
| 4-Wire HDSL Loop (Standard), per month | | NA | NA | NA |
| NRC - 1st | | NA | NA | NA |
| NRC - Add'l | | NA | NA | NA |
| LOOP, INCLUDING NID | | | | |
| 2-Wire Analog VG Loop-SL1 | | | | |

BELLSOUTH Actual RATES
NETWORK ELEMENTS
AND OTHER SERVICES

| | | | | | |
|--|--|--------|----------|----------|----------|
| | RC - Statewide, per month | UEAL2 | NA | NA | NA |
| | RC - Zone 1, per month (Note 2) | UEAL2 | \$13.75 | \$14.21 | \$15.92 |
| | RC - Zone 2, per month (Note 2) | UEAL2 | \$20.13 | \$16.41 | \$20.79 |
| | RC - Zone 3, per month (Note 2) | UEAL2 | \$44.40 | \$26.08 | \$27.18 |
| | RC - Zone 4, per month (Note 2) | UEAL2 | NA | NA | NA |
| | NRC - 1st | UEAL2 | \$83.20 | \$42.54 | \$78.93 |
| | NRC - Add'l | UEAL2 | \$35.12 | \$31.33 | \$50.98 |
| | NRC - Disconnect Charge - 1st | UEAL2 | \$55.97 | NA | NA |
| | NRC - Disconnect Charge - Add'l | UEAL2 | \$10.35 | NA | NA |
| | NRC - Service Order submitted Electronically, per LSR | SOME C | \$2.75 | \$3.50 | \$3.50 |
| | NRC - Service Order submitted Electronically, per LSR - Disconnect | SOME C | \$0.42 | NA | TBD |
| | NRC - Service Order submitted Manually, per LSR | SOMAN | \$21.56 | NA | \$19.99 |
| | NRC - Service Order submitted Manually, per LSR, Disconnect | SOMAN | \$3.84 | NA | TBD |
| | NRC - Incremental Charge - Manual Service Order - 1st | SOMAN | NA | \$18.94 | NA |
| | NRC - Incremental Charge - Manual Service Order - Add'l | SOMAN | NA | \$8.42 | NA |
| | NRC - Incremental Charge - Manual Service Order - Disconnect | SOMAN | NA | NA | NA |
| | NRC - Incremental Charge - Order Coordination for SL1 loops (per loop) | UEAMC | 16.31* | \$36.46 | 36.46* |
| | NRC - Incremental Charge - Order Coordination - Time Specific (per LSR) | OCOSL | 23.24* | \$34.22 | 34.22* |
| | NRC - Engineering Information (EI) - interim rates until cost study is prepared based on inputs that reflect the work required to extract the Engineering Information. | UEANM | \$40.00 | \$20.00 | \$40.00 |
| | 2-Wire Analog VG Loop-SL2 w/loop or ground start signaling | | | | |
| | RC - Statewide, per month | UEAL2 | NA | NA | NA |
| | RC - Zone 1, per month (Note 2) | UEAL2 | \$18.48 | \$16.84 | \$15.92 |
| | RC - Zone 2, per month (Note 2) | UEAL2 | \$22.43 | \$19.45 | \$20.79 |
| | RC - Zone 3, per month (Note 2) | UEAL2 | \$27.87 | \$30.92 | \$27.18 |
| | RC - Zone 4, per month (Note 2) | UEAL2 | NA | NA | NA |
| | NRC - 1st | UEAL2 | \$218.96 | \$104.17 | \$192.97 |
| | NRC - Add'l | UEAL2 | \$136.44 | \$78.10 | \$140.72 |
| | NRC - Disconnect Charge - 1st | UEAL2 | \$113.41 | NA | NA |
| | NRC - Disconnect Charge - Add'l | UEAL2 | \$20.58 | NA | NA |
| | NRC - Service Order submitted Electronically, per LSR | SOME C | \$2.75 | \$3.50 | \$3.50 |
| | NRC - Service Order submitted Electronically, per LSR - Disconnect | SOME C | \$0.42 | NA | TBD |
| | NRC - Service Order submitted Manually, per LSR | SOMAN | \$21.56 | NA | \$19.99 |
| | NRC - Service Order submitted Manually, per LSR, Disconnect | SOMAN | \$3.84 | NA | TBD |
| | NRC - Incremental Charge - Manual Service Order - 1st | SOMAN | NA | \$18.94 | NA |
| | NRC - Incremental Charge - Manual Service Order - Add'l | SOMAN | NA | \$8.42 | NA |
| | NRC - Incremental Charge - Manual Service Order - Disconnect | SOMAN | NA | NA | NA |
| | NRC - Incremental Charge - Order Coordination - Time Specific (per LSR) | OCOSL | \$36.18 | \$34.22 | \$55.00 |
| | 2-Wire Analog VG Loop-SL2 w/ reverse battery signaling | | | | |
| | RC - Statewide, per month | UEAR2 | NA | NA | NA |
| | RC - Zone 1, per month (Note 2) | UEAR2 | \$18.48 | \$18.84 | \$15.92 |
| | RC - Zone 2, per month (Note 2) | UEAR2 | \$22.43 | \$19.45 | \$20.79 |
| | RC - Zone 3, per month (Note 2) | UEAR2 | \$27.87 | \$30.92 | \$27.18 |
| | RC - Zone 4, per month (Note 2) | UEAR2 | NA | NA | NA |
| | NRC - 1st | UEAR2 | \$218.96 | \$104.17 | \$192.97 |
| | NRC - Add'l | UEAR2 | \$136.44 | \$78.10 | \$140.72 |
| | NRC - Disconnect Charge - 1st | UEAR2 | \$113.41 | NA | NA |
| | NRC - Disconnect Charge - Add'l | UEAR2 | \$20.58 | NA | NA |
| | NRC - Service Order submitted Electronically, per LSR | SOME C | \$2.75 | \$3.50 | \$3.50 |
| | NRC - Service Order submitted Electronically, per LSR - Disconnect | SOME C | \$0.42 | NA | TBD |
| | NRC - Service Order submitted Manually, per LSR | SOMAN | \$21.56 | NA | \$19.99 |
| | NRC - Service Order submitted Manually, per LSR, Disconnect | SOMAN | \$3.84 | NA | TBD |
| | NRC - Incremental Charge - Manual Service Order - 1st | SOMAN | NA | \$18.94 | NA |

BELLSOUTH/At&T RATES
 NETWORK ELEMENTS
 AND OTHER SERVICES

| | | | | | |
|--|---|--------|----------|----------|---------|
| | NRC - Incremental Charge - Manual Service Order - Add'l | SOMAN | NA | \$8.42 | NA |
| | NRC - Incremental Charge - Manual Service Order - Disconnect | SOMAN | NA | NA | NA |
| | NRC - Incremental Charge - Order Coordination - Time Specific (per LSR) | OCOCL | \$36.18 | \$34.22 | \$55.00 |
| | 4-Wire Analog VG Loop | | | | |
| | RC - Statewide, per month | UEAL4 | NA | NA | NA |
| | RC - Zone 1, per month (Note 2) | UEAL4 | \$24.26 | \$22.26 | \$15.92 |
| | RC - Zone 2, per month (Note 2) | UEAL4 | \$35.51 | \$25.70 | \$20.79 |
| | RC - Zone 3, per month (Note 2) | UEAL4 | \$78.35 | \$40.85 | \$27.18 |
| | RC - Zone 4, per month (Note 2) | UEAL4 | NA | NA | NA |
| | NRC - 1st | UEAL4 | \$141.00 | \$206.95 | \$58.50 |
| | NRC - Add'l | UEAL4 | \$43.00 | \$170.57 | \$31.00 |
| | NRC - Disconnect Charge - 1st | UEAL4 | \$122.15 | NA | NA |
| | NRC - Disconnect Charge - Add'l | UEAL4 | \$27.42 | NA | NA |
| | NRC - Service Order submitted Electronically, per LSR | SOMECS | \$2.75 | \$3.50 | \$3.50 |
| | NRC - Service Order submitted Electronically, per LSR - Disconnect | SOMECS | \$0.42 | NA | TBD |
| | NRC - Service Order submitted Manually, per LSR | SOMAN | \$21.56 | NA | \$19.99 |
| | NRC - Service Order submitted Manually, per LSR, Disconnect | SOMAN | \$3.84 | NA | TBD |
| | NRC - Incremental Charge - Manual Service Order - 1st | SOMAN | NA | \$18.94 | NA |
| | NRC - Incremental Charge - Manual Service Order - Add'l | SOMAN | NA | \$8.42 | NA |
| | NRC - Incremental Charge - Manual Service Order - Disconnect | SOMAN | NA | NA | NA |
| | NRC - Incremental Charge - Order Coordination - Time Specific (per LSR) | OCOCL | \$36.18 | \$34.22 | \$55.00 |
| | 2-Wire ISDN Digital Grade Loop | | | | |
| | RC - Statewide, per month | U1L2X | NA | NA | NA |
| | RC - Zone 1, per month (Note 2) | U1L2X | \$32.34 | \$21.89 | \$15.92 |
| | RC - Zone 2, per month (Note 2) | U1L2X | \$47.35 | \$25.27 | \$20.79 |
| | RC - Zone 3, per month (Note 2) | U1L2X | \$104.47 | \$40.17 | \$27.18 |
| | RC - Zone 4, per month (Note 2) | U1L2X | NA | NA | NA |
| | NRC - 1st | U1L2X | \$306.00 | \$233.38 | \$58.50 |
| | NRC - Add'l | U1L2X | \$283.00 | \$180.35 | \$31.00 |
| | NRC - Disconnect Charge - 1st | U1L2X | \$111.10 | NA | NA |
| | NRC - Disconnect Charge - Add'l | U1L2X | \$18.28 | NA | NA |
| | NRC - Service Order submitted Electronically, per LSR | SOMECS | \$2.75 | \$3.50 | \$3.50 |
| | NRC - Service Order submitted Electronically, per LSR - Disconnect | SOMECS | \$0.42 | NA | TBD |
| | NRC - Service Order submitted Manually, per LSR | SOMAN | \$21.56 | NA | \$19.99 |
| | NRC - Service Order submitted Manually, per LSR, Disconnect | SOMAN | \$3.84 | NA | TBD |
| | NRC - Incremental Charge - Manual Service Order - 1st | SOMAN | NA | \$18.94 | NA |
| | NRC - Incremental Charge - Manual Service Order - Add'l | SOMAN | NA | \$8.42 | NA |
| | NRC - Incremental Charge - Manual Service Order - Disconnect | SOMAN | NA | NA | NA |
| | NRC - Incremental Charge - Order Coordination - Time Specific (per LSR) | OCOCL | \$36.18 | \$34.22 | \$55.00 |
| | 2-Wire Universal Digital Carrier (UDC), statewide, per month | UDC2X | NA | NA | NA |
| | Zone 1, per month | UDC2X | \$32.34 | \$21.89 | \$15.92 |
| | Zone 2, per month | UDC2X | \$47.35 | \$25.27 | \$20.79 |
| | Zone 3, per month | UDC2X | \$104.47 | \$40.17 | \$27.18 |
| | Zone 4, per month | UDC2X | NA | NA | NA |
| | NRC - 1st | UDC2X | \$306.00 | \$233.38 | \$58.50 |
| | NRC - Add'l | UDC2X | \$283.00 | \$180.35 | \$31.00 |
| | NRC - Disconnect Charge - 1st | UDC2X | \$111.10 | NA | NA |
| | NRC - Disconnect Charge - Add'l | UDC2X | \$18.28 | NA | NA |
| | NRC - Service Order submitted Electronically, per LSR | SOMECS | \$2.75 | \$3.50 | \$3.50 |
| | NRC - Service Order submitted Electronically, per LSR - Disconnect | SOMECS | \$0.42 | NA | TBD |
| | NRC - Service Order submitted Manually, per LSR | SOMAN | \$21.56 | NA | \$19.99 |
| | NRC - Service Order submitted Manually, per LSR, Disconnect | SOMAN | \$3.84 | NA | TBD |
| | NRC - Incremental Charge - Manual Service Order - 1st | SOMAN | NA | \$18.94 | NA |
| | NRC - Incremental Charge - Manual Service Order - Add'l | SOMAN | NA | \$8.42 | NA |
| | NRC - Incremental Charge - Manual Service Order - Disconnect | SOMAN | NA | NA | NA |

BELLSOUTH/Actel RATES
 NETWORK ELEMENTS
 AND OTHER SERVICES

| | | | | | |
|--|---|--------|----------|----------|----------|
| | NRC - Incremental Charge - Order Coordination - Time Specific (per LSR) | OCOSL | \$36.18 | \$34.22 | \$55.00 |
| 2-Wire ADSL Compatible Loop Incl Man Svc Inquiry & Fac Reservation | | | | | |
| | RC - Statewide, per month | UAL2X | NA | NA | NA |
| | RC - Zone 1, per month (Note 2) | UAL2X | \$12.78 | \$11.23 | \$15.93 |
| | RC - Zone 2, per month (Note 2) | UAL2X | \$18.72 | \$12.97 | \$20.05 |
| | RC - Zone 3, per month (Note 2) | UAL2X | \$41.29 | \$20.62 | \$28.74 |
| | RC - Zone 4, per month (Note 2) | UAL2X | NA | NA | NA |
| | NRC - 1st | UAL2X | \$113.85 | \$359.73 | \$640.79 |
| | NRC - Add'l | UAL2X | \$99.61 | \$325.15 | \$541.94 |
| | NRC - Disconnect Charge - 1st | UAL2X | \$154.23 | NA | NA |
| | NRC - Disconnect Charge - Add'l | UAL2X | \$35.23 | NA | NA |
| | NRC - Service Order submitted Electronically, per LSR | SOMECS | \$2.75 | \$3.50 | \$3.50 |
| | NRC - Service Order submitted Manually, per LSR | SOMAN | \$21.56 | NA | \$19.99 |
| | NRC - Service Order submitted Manually, per LSR, Disconnect | SOMAN | \$3.84 | NA | TBD |
| | NRC - Incremental Charge - Manual Service Order - 1st | SOMAN | NA | \$18.94 | NA |
| | NRC - Incremental Charge - Manual Service Order - Add'l | SOMAN | NA | \$8.42 | NA |
| | NRC - Incremental Charge - Manual Service Order - Disconnect | SOMAN | NA | NA | NA |
| | NRC - Incremental Charge - Order Coordination - Time Specific (per LSR) | OCOSL | \$36.18 | \$34.22 | \$55.00 |
| 2-Wire ADSL Compatible Loop without Man Svc Inquiry & Fac Reservation | | | | | |
| | RC - Statewide, per month | UAL2W | NA | NA | NA |
| | Zone 1, per month | UAL2W | \$12.78 | \$11.23 | \$15.93 |
| | Zone 2, per month | UAL2W | \$18.72 | \$12.97 | \$20.05 |
| | Zone 3, per month | UAL2W | \$41.29 | \$20.62 | \$28.74 |
| | Zone 4, per month | UAL2W | NA | NA | NA |
| | NRC - 1st | UAL2W | \$258.86 | \$220.73 | \$501.79 |
| | NRC - Add'l | UAL2W | \$175.48 | \$188.15 | \$402.94 |
| | NRC - Disconnect Charge - 1st | UAL2W | \$108.29 | NA | NA |
| | NRC - Disconnect Charge - Add'l | UAL2W | \$15.48 | NA | NA |
| | NRC - Service Order submitted Electronically, per LSR | SOMECS | \$2.75 | \$3.50 | \$3.50 |
| | NRC - Service Order submitted Electronically, per LSR - Disconnect | SOMECS | \$0.42 | NA | TBD |
| | NRC - Service Order submitted Manually, per LSR | SOMAN | \$21.56 | NA | \$19.99 |
| | NRC - Service Order submitted Manually, per LSR, Disconnect | SOMAN | \$3.84 | NA | TBD |
| | NRC - Incremental Charge - Manual Service Order - 1st | SOMAN | NA | \$18.94 | NA |
| | NRC - Incremental Charge - Manual Service Order - Add'l | SOMAN | NA | \$8.42 | NA |
| | NRC - Incremental Charge - Manual Service Order - Disconnect | SOMAN | NA | NA | NA |
| | NRC - Incremental Charge - Order Coordination - Time Specific (per LSR) | OCOSL | \$36.18 | \$34.22 | \$55.00 |
| 2-Wire HDSL Compatible Loop, Incl Man Svc Inquiry & Fac Reserv | | | | | |
| | RC - Statewide, per month | UHL2X | NA | NA | NA |
| | RC - Zone 1, per month (Note 2) | UHL2X | \$9.80 | \$7.88 | \$11.62 |
| | RC - Zone 2, per month (Note 2) | UHL2X | \$14.35 | \$9.09 | \$14.62 |
| | RC - Zone 3, per month (Note 2) | UHL2X | \$31.65 | \$14.46 | \$20.96 |
| | RC - Zone 4, per month (Note 2) | UHL2X | NA | NA | NA |
| | NRC - 1st | UHL2X | \$113.85 | \$359.73 | \$640.79 |
| | NRC - Add'l | UHL2X | \$99.61 | \$325.15 | \$541.94 |
| | NRC - Disconnect Charge - 1st | UHL2X | \$154.23 | NA | NA |
| | NRC - Disconnect Charge - Add'l | UHL2X | \$35.23 | NA | NA |
| | NRC - Service Order submitted Electronically, per LSR | SOMECS | \$2.75 | \$3.50 | \$3.50 |
| | NRC - Service Order submitted Electronically, per LSR - Disconnect | SOMECS | \$0.42 | NA | TBD |
| | NRC - Service Order submitted Manually, per LSR | SOMAN | \$21.56 | NA | \$19.99 |
| | NRC - Service Order submitted Manually, per LSR, Disconnect | SOMAN | \$3.84 | NA | TBD |
| | NRC - Incremental Charge - Manual Service Order - 1st | SOMAN | NA | \$18.94 | NA |
| | NRC - Incremental Charge - Manual Service Order - Add'l | SOMAN | NA | \$8.42 | NA |
| | NRC - Incremental Charge - Manual Service Order - Disconnect | SOMAN | NA | NA | NA |
| | NRC - Incremental Charge - Order Coordination - Time Specific (per LSR) | OCOSL | \$36.18 | \$34.22 | \$55.00 |

BELLSOUTH/ACIAL RATES
 NETWORK ELEMENTS
 AND OTHER SERVICES

| | | | | | |
|--|--|--------|----------|----------|----------|
| 2-Wire HDSL Compatible Loop, without Man Svc Inquiry & Fac Reserv | | | | | |
| Statewide, per month | | UHL2W | NA | NA | NA |
| Zone 1, per month | | UHL2W | \$9.80 | \$7.88 | \$11.62 |
| Zone 2, per month | | UHL2W | \$14.35 | \$9.09 | \$14.62 |
| Zone 3, per month | | UHL2W | \$31.65 | \$14.48 | \$20.96 |
| Zone 4, per month | | UHL2W | NA | NA | NA |
| NRC - 1st | | UHL2W | \$276.19 | \$220.73 | \$501.79 |
| NRC - Add'l | | UHL2W | \$192.81 | \$186.15 | \$402.94 |
| NRC - Disconnect Charge - 1st | | UHL2W | \$108.29 | NA | NA |
| NRC - Disconnect Charge - Add'l | | UHL2W | \$15.46 | NA | NA |
| NRC - Service Order submitted Electronically, per LSR | | SOME C | \$2.75 | \$3.50 | \$3.50 |
| NRC - Service Order submitted Electronically, per LSR - Disconnect | | SOME C | \$0.42 | NA | TBD |
| NRC - Service Order submitted Manually, per LSR | | SOMAN | \$21.56 | NA | \$19.99 |
| NRC - Service Order submitted Manually, per LSR, Disconnect | | SOMAN | \$3.84 | NA | TBD |
| NRC - Incremental Charge - Manual Service Order - 1st | | SOMAN | NA | \$18.94 | NA |
| NRC - Incremental Charge - Manual Service Order - Add'l | | SOMAN | NA | \$8.42 | NA |
| NRC - Incremental Charge - Manual Service Order - Disconnect | | SOMAN | NA | NA | NA |
| NRC - Incremental Charge - Order Coordination - Time Specific (per LSR) | | OCOSL | \$36.18 | \$34.22 | \$55.00 |
| 4-Wire HDSL Compatible Loop, Incl Man Svc Inquiry & Fac Reserv | | | | | |
| RC - Statewide, per month | | UHL4X | NA | NA | \$17.91 |
| RC - Zone 1, per month (Note 2) | | UHL4X | \$14.75 | \$10.39 | \$15.46 |
| RC - Zone 2, per month (Note 2) | | UHL4X | \$21.59 | \$12.00 | \$19.46 |
| RC - Zone 3, per month (Note 2) | | UHL4X | \$47.64 | \$19.07 | \$27.88 |
| RC - Zone 4, per month (Note 2) | | UHL4X | NA | NA | NA |
| NRC - 1st | | UHL4X | \$116.91 | \$378.86 | \$666.70 |
| NRC - Add'l | | UHL4X | \$101.71 | \$344.28 | \$568.86 |
| NRC - Disconnect Charge - 1st | | UHL4X | \$161.19 | NA | NA |
| NRC - Disconnect Charge - Add'l | | UHL4X | \$26.10 | NA | NA |
| NRC - Service Order submitted Electronically, per LSR | | SOME C | \$2.75 | \$3.50 | \$3.50 |
| NRC - Service Order submitted Electronically, per LSR - Disconnect | | SOME C | \$0.42 | NA | TBD |
| NRC - Service Order submitted Manually, per LSR | | SOMAN | \$21.56 | NA | \$19.99 |
| NRC - Service Order submitted Manually, per LSR, Disconnect | | SOMAN | \$3.84 | NA | TBD |
| NRC - Incremental Charge - Manual Service Order - 1st | | SOMAN | NA | \$18.94 | NA |
| NRC - Incremental Charge - Manual Service Order - Add'l | | SOMAN | NA | \$8.42 | NA |
| NRC - Incremental Charge - Manual Service Order - Disconnect | | SOMAN | NA | NA | NA |
| NRC - Incremental Charge - Order Coordination - Time Specific (per LSR) | | OCOSL | \$36.18 | \$34.22 | \$55.00 |
| 4-Wire HDSL Compatible Loop, without Man Svc Inquiry & Fac Res | | | | | |
| Statewide, per month | | UHL4W | NA | NA | \$17.91 |
| Zone 1, per month | | UHL4W | \$14.75 | \$10.39 | \$15.46 |
| Zone 2, per month | | UHL4W | \$21.59 | \$12.00 | \$19.46 |
| Zone 3, per month | | UHL4W | \$47.64 | \$19.07 | \$27.88 |
| Zone 4, per month | | UHL4W | NA | NA | NA |
| NRC - 1st | | UHL4W | \$333.40 | \$239.86 | \$527.70 |
| NRC - Add'l | | UHL4W | \$250.01 | \$205.28 | \$429.86 |
| NRC - Disconnect Charge - 1st | | UHL4W | \$114.30 | NA | NA |
| NRC - Disconnect Charge - Add'l | | UHL4W | \$19.58 | NA | NA |
| NRC - Service Order submitted Electronically, per LSR | | SOME C | \$2.75 | \$3.50 | \$3.50 |
| NRC - Service Order submitted Electronically, per LSR - Disconnect | | SOME C | \$0.42 | NA | TBD |
| NRC - Service Order submitted Manually, per LSR | | SOMAN | \$21.56 | NA | \$19.99 |
| NRC - Service Order submitted Manually, per LSR, Disconnect | | SOMAN | \$3.84 | NA | TBD |

BELLSOUTH/Actual RATES
NETWORK ELEMENTS
AND OTHER SERVICES

| | | | | | | |
|--|---|--------|----------|----------|----------|--|
| | NRC - Incremental Charge - Manual Service Order - 1st | SOMAN | NA | \$18.94 | NA | |
| | NRC - Incremental Charge - Manual Service Order - Add'l | SOMAN | NA | \$8.42 | NA | |
| | NRC - Incremental Charge - Manual Service Order - Disconnect | SOMAN | NA | NA | NA | |
| | NRC - Incremental Charge - Order Coordination - Time Specific (per LSR) | OCOSL | \$36.18 | \$34.22 | \$55.00 | |
| | 4-Wire DS1 Digital Loop | | | | | |
| | RC - Statewide, per month | USLXX | NA | NA | NA | |
| | RC - Zone 1, per month (Note 2) | USLXX | \$64.69 | \$55.53 | \$57.73 | |
| | RC - Zone 2, per month (Note 2) | USLXX | \$94.71 | \$64.13 | \$75.40 | |
| | RC - Zone 3, per month (Note 2) | USLXX | \$208.93 | \$101.93 | \$98.59 | |
| | RC - Zone 4, per month (Note 2) | USLXX | NA | NA | NA | |
| | NRC - 1st | USLXX | \$540.00 | \$429.98 | \$313.08 | |
| | NRC - Add'l | USLXX | \$465.00 | \$268.18 | \$219.72 | |
| | NRC - Disconnect Charge - 1st | USLXX | \$82.85 | NA | \$96.86 | |
| | NRC - Disconnect Charge - Add'l | USLXX | \$21.69 | NA | \$40.45 | |
| | NRC - Service Order submitted Electronically, per LSR | SOMECD | \$2.75 | \$3.50 | \$3.50 | |
| | NRC - Service Order submitted Electronically, per LSR - Disconnect | SOMECD | \$0.42 | NA | TBD | |
| | NRC - Service Order submitted Manually, per LSR | SOMAN | \$21.58 | NA | \$19.99 | |
| | NRC - Service Order submitted Manually, per LSR, Disconnect | SOMAN | \$3.84 | NA | TBD | |
| | NRC - Incremental Charge - Manual Service Order - 1st | SOMAN | NA | \$18.94 | NA | |
| | NRC - Incremental Charge - Manual Service Order - Add'l | SOMAN | NA | \$8.42 | NA | |
| | NRC - Incremental Charge - Manual Service Order - Disconnect | SOMAN | NA | NA | NA | |
| | NRC - Incremental Charge - Order Coordination - Time Specific (per LSR) | OCOSL | \$36.18 | \$34.52 | \$55.00 | |
| | 4-Wire 56 Kbps Dig Grade Loop | | | | | |
| | RC - Statewide, per month | UDL56 | NA | NA | \$42.23 | |
| | RC - Zone 1, per month (Note 2) | UDL56 | \$39.08 | \$25.75 | \$36.45 | |
| | RC - Zone 2, per month (Note 2) | UDL56 | \$57.21 | \$29.74 | \$45.87 | |
| | RC - Zone 3, per month (Note 2) | UDL56 | \$126.22 | \$47.27 | \$65.75 | |
| | RC - Zone 4, per month (Note 2) | UDL56 | NA | NA | NA | |
| | NRC - 1st | UDL56 | \$654.72 | \$348.55 | \$643.00 | |
| | NRC - Add'l | UDL56 | \$428.45 | \$241.20 | \$421.26 | |
| | NRC - Disconnect Charge - 1st | UDL56 | \$122.15 | NA | NA | |
| | NRC - Disconnect Charge - Add'l | UDL56 | \$27.42 | NA | NA | |
| | NRC - Service Order submitted Electronically, per LSR | SOMECD | \$2.75 | \$3.50 | \$3.50 | |
| | NRC - Service Order submitted Electronically, per LSR - Disconnect | SOMECD | \$0.42 | NA | TBD | |
| | NRC - Service Order submitted Manually, per LSR | SOMAN | \$21.58 | NA | \$19.99 | |
| | NRC - Service Order submitted Manually, per LSR, Disconnect | SOMAN | \$3.84 | NA | TBD | |
| | NRC - Incremental Charge - Manual Service Order - 1st | SOMAN | NA | \$18.94 | NA | |
| | NRC - Incremental Charge - Manual Service Order - Add'l | SOMAN | NA | \$8.42 | NA | |
| | NRC - Incremental Charge - Manual Service Order - Disconnect | SOMAN | NA | NA | NA | |
| | NRC - Incremental Charge - Order Coordination - Time Specific (per LSR) | OCOSL | \$36.18 | \$34.22 | \$55.00 | |
| | 4-Wire 64 Kbps Dig Grade Loop | | | | | |
| | RC - Statewide, per month | UDL64 | NA | NA | \$42.23 | |
| | RC - Zone 1, per month (Note 2) | UDL64 | \$39.08 | \$25.75 | \$36.45 | |
| | RC - Zone 2, per month (Note 2) | UDL64 | \$57.21 | \$29.74 | \$45.87 | |
| | RC - Zone 3, per month (Note 2) | UDL64 | \$126.22 | \$47.27 | \$65.75 | |
| | RC - Zone 4, per month (Note 2) | UDL64 | NA | NA | NA | |
| | NRC - 1st | UDL64 | \$654.72 | \$348.55 | \$643.00 | |
| | NRC - Add'l | UDL64 | \$428.45 | \$241.20 | \$421.26 | |

BELLSOUTH/Actual RATES
 NETWORK ELEMENTS
 AND OTHER SERVICES

| | | | | | | |
|--|---|--------|----------|----------|----------|--|
| | NRC - Disconnect Charge - 1st | UDL64 | \$122.15 | NA | NA | |
| | NRC - Disconnect Charge - Add'l | UDL64 | \$27.42 | NA | NA | |
| | NRC - Service Order submitted Electronically, per LSR | SOMECD | \$2.75 | \$3.50 | \$3.50 | |
| | NRC - Service Order submitted Electronically, per LSR - Disconnect | SOMECD | \$0.42 | NA | NA | |
| | NRC - Service Order submitted Manually, per LSR | SOMAN | \$21.56 | NA | \$19.99 | |
| | NRC - Service Order submitted Manually, per LSR, Disconnect | SOMAN | \$3.84 | NA | NA | |
| | NRC - Incremental Charge - Manual Service Order - 1st | SOMAN | NA | \$18.94 | NA | |
| | NRC - Incremental Charge - Manual Service Order - Add'l | SOMAN | NA | \$8.42 | NA | |
| | NRC - Incremental Charge - Manual Service Order - Disconnect | SOMAN | NA | NA | NA | |
| | NRC - Incremental Charge - Order Coordination - Time Specific (per LSR) | OCOSL | \$36.18 | \$34.22 | \$55.00 | |
| | 2-Wire Unb Copper Loop/Short (< or = 18kft), Incl Man SI & Fac Res* | | | | | |
| | RC - Statewide, per month | UCLPB | NA | \$13.97 | NA | |
| | RC - Zone 1, per month (Note 2) | UCLPB | \$18.60 | \$19.80 | \$19.85 | |
| | RC - Zone 2, per month (Note 2) | UCLPB | \$27.23 | \$22.86 | \$24.98 | |
| | RC - Zone 3, per month (Note 2) | UCLPB | \$60.07 | \$36.34 | \$35.81 | |
| | RC - Zone 4, per month (Note 2) | UCLPB | NA | NA | NA | |
| | NRC - 1st | UCLPB | \$389.84 | \$395.16 | \$270.01 | |
| | NRC - Add'l | UCLPB | \$251.26 | \$217.39 | \$234.63 | |
| | NRC - Disconnect Charge - 1st | UCLPB | \$154.23 | \$142.27 | \$74.54 | |
| | NRC - Disconnect Charge - Add'l | UCLPB | \$35.23 | \$37.86 | \$39.14 | |
| | NRC - Service Order submitted Electronically, per LSR | SOMECD | \$2.75 | \$3.50 | \$3.50 | |
| | NRC - Service Order submitted Electronically, per LSR - Disconnect | SOMECD | \$0.42 | NA | NA | |
| | NRC - Service Order submitted Manually, per LSR | SOMAN | \$21.56 | NA | \$19.99 | |
| | NRC - Service Order submitted Manually, per LSR, Disconnect | SOMAN | \$3.84 | NA | NA | |
| | NRC - Incremental Charge - Manual Service Order - 1st | SOMAN | NA | \$18.94 | NA | |
| | NRC - Incremental Charge - Manual Service Order - Add'l | SOMAN | NA | \$8.42 | NA | |
| | NRC - Incremental Charge - Manual Service Order - Disconnect - 1st | SOMAN | NA | \$142.27 | NA | |
| | NRC - Incremental Charge - Manual Service Order - Disconnect - Add'l | SOMAN | NA | \$37.86 | NA | |
| | NRC - Incremental Charge - Manual Order Coordination - per loop | UCLMC | \$16.31 | \$36.46 | \$34.29 | |
| | 2-Wire Unb Copper Loop/Short (< or = 18kft), without Man SI & Fac Res | | | | | |
| | RC - Statewide, per month | UCLPW | NA | NA | NA | |
| | Zone 1, per month | UCLPW | \$18.60 | \$11.90 | \$19.85 | |
| | Zone 2, per month | UCLPW | \$27.23 | \$13.74 | \$24.98 | |
| | Zone 3, per month | UCLPW | \$60.07 | \$21.83 | \$35.81 | |
| | Zone 4, per month | UCLPW | NA | NA | NA | |
| | NRC - 1st | UCLPW | \$257.00 | \$154.13 | \$131.01 | |
| | NRC - Add'l | UCLPW | \$173.62 | \$139.75 | \$95.63 | |
| | NRC - Disconnect Charge - 1st | UCLPW | \$108.29 | \$140.73 | \$74.54 | |
| | NRC - Disconnect Charge - Add'l | UCLPW | \$15.46 | \$37.45 | \$39.14 | |
| | NRC - Service Order submitted Electronically, per LSR | SOMECD | \$2.75 | \$3.50 | \$3.50 | |
| | NRC - Service Order submitted Electronically, per LSR - Disconnect | SOMECD | \$0.42 | NA | NA | |
| | NRC - Service Order submitted Manually, per LSR | SOMAN | \$21.56 | NA | \$19.99 | |
| | NRC - Service Order submitted Manually, per LSR, Disconnect | SOMAN | \$3.84 | NA | NA | |
| | NRC - Incremental Charge - Manual Service Order - 1st | SOMAN | NA | NA | NA | |
| | NRC - Incremental Charge - Manual Service Order - Add'l | SOMAN | NA | NA | NA | |
| | NRC - Incremental Charge - Manual Service Order - Disconnect - 1st | SOMAN | NA | NA | NA | |
| | NRC - Incremental Charge - Manual Service Order - Disconnect - Add'l | SOMAN | NA | NA | NA | |
| | NRC - Incremental Charge - Manual Order Coordination - per loop | UCLMC | \$16.31 | \$36.46 | \$34.29 | |
| | 2-Wire Unb Copper Loop/Long (> 18kft), Incl Man SI & Fac Res | | | | | |
| | RC - Statewide, per month | UCL2L | NA | \$41.61 | NA | |
| | RC - Zone 1, per month (Note 2) | UCL2L | \$48.79 | \$19.80 | \$19.85 | |
| | RC - Zone 2, per month (Note 2) | UCL2L | \$58.13 | \$22.86 | \$24.98 | |

BELLSOUTH/Actual RATES
NETWORK ELEMENTS
AND OTHER SERVICES

| | | | | | | |
|--|--|--------|----------|----------|----------|--|
| | RC - Zone 3, per month (Note 2) | UCL2L | \$71.17 | \$36.34 | \$35.81 | |
| | RC - Zone 4, per month (Note 2) | UCL2L | NA | NA | NA | |
| | NRC - 1st | UCL2L | \$331.86 | \$395.16 | \$270.01 | |
| | NRC - Add'l | UCL2L | \$193.27 | \$217.39 | \$234.63 | |
| | NRC - Disconnect Charge - 1st | UCL2L | \$154.23 | \$142.27 | \$74.54 | |
| | NRC - Disconnect Charge - Add'l | UCL2L | NA | \$37.86 | \$39.14 | |
| | NRC - Service Order submitted Electronically, per LSR | SOME C | \$2.75 | \$3.50 | \$3.50 | |
| | NRC - Service Order submitted Electronically, per LSR - Disconnect | SOME C | \$0.42 | NA | TBD | |
| | NRC - Service Order submitted Manually, per LSR | SOMAN | \$21.56 | NA | \$19.99 | |
| | NRC - Service Order submitted Manually, per LSR, Disconnect | SOMAN | \$3.84 | NA | TBD | |
| | NRC - Incremental Charge - Manual Service Order - 1st | SOMAN | NA | \$18.94 | NA | |
| | NRC - Incremental Charge - Manual Service Order - Add'l | SOMAN | NA | \$8.42 | NA | |
| | NRC - Incremental Charge - Manual Service Order - Disconnect - 1st | SOMAN | NA | \$142.27 | NA | |
| | NRC - Incremental Charge - Manual Service Order - Disconnect - Add'l | SOMAN | NA | \$37.86 | NA | |
| | NRC - Incremental Charge - Manual Order Coordination - per loop | UCLMC | \$16.31 | \$36.46 | \$34.29 | |
| | 2-Wire Unb Copper Loop/Long (> 18kft), without Man SI & Fac Res | | | | | |
| | RC - Statewide, per month | UCL2W | NA | \$37.00 | NA | |
| | Zone 1, per month | UCL2W | \$48.79 | TBD | \$19.85 | |
| | Zone 2, per month | UCL2W | \$58.13 | TBD | \$24.98 | |
| | Zone 3, per month | UCL2W | \$71.17 | TBD | \$35.81 | |
| | Zone 4, per month | UCL2W | NA | NA | NA | |
| | NRC - 1st | UCL2W | \$199.01 | \$154.13 | \$131.01 | |
| | NRC - Add'l | UCL2W | \$115.83 | \$139.75 | \$95.63 | |
| | NRC - Disconnect Charge - 1st | UCL2W | \$108.29 | TBD | \$74.54 | |
| | NRC - Disconnect Charge - Add'l | UCL2W | \$15.46 | TBD | \$39.14 | |
| | NRC - Service Order submitted Electronically, per LSR | SOME C | \$2.75 | \$3.50 | \$3.50 | |
| | NRC - Service Order submitted Electronically, per LSR - Disconnect | SOME C | \$0.42 | NA | NA | |
| | NRC - Service Order submitted Manually, per LSR | SOMAN | \$21.56 | NA | \$19.99 | |
| | NRC - Service Order submitted Manually, per LSR, Disconnect | SOMAN | \$3.84 | NA | NA | |
| | NRC - Incremental Charge - Manual Service Order - 1st | SOMAN | NA | TBD | NA | |
| | NRC - Incremental Charge - Manual Service Order - Add'l | SOMAN | NA | TBD | NA | |
| | NRC - Incremental Charge - Manual Service Order - Disconnect - 1st | SOMAN | NA | TBD | NA | |
| | NRC - Incremental Charge - Manual Service Order - Disconnect - Add'l | SOMAN | NA | TBD | NA | |
| | NRC - Incremental Charge - Manual Order Coordination - per loop | UCLMC | \$16.31 | \$36.46 | \$34.29 | |
| | 4-Wire Unb Copper Loop/Short (< or = 18kft), Incl Man SI & Fac Res | | | | | |
| | Statewide, per month* | UCL4S | NA | \$19.34 | NA | |
| | Zone 1, per month | UCL4S | \$25.56 | \$16.65 | \$25.00 | |
| | Zone 2, per month | UCL4S | \$30.53 | \$19.22 | \$27.50 | |
| | Zone 3, per month | UCL4S | \$32.24 | \$30.55 | \$30.00 | |
| | Zone 4, per month | UCL4S | NA | NA | NA | |
| | NRC - 1st | UCL4S | \$438.27 | \$353.80 | \$400.00 | |
| | NRC - Add'l | UCL4S | \$299.68 | \$162.61 | \$300.00 | |
| | NRC - Disconnect Charge - 1st | UCL4S | \$161.19 | \$156.25 | \$150.00 | |
| | NRC - Disconnect Charge - Add'l | UCL4S | \$39.76 | \$41.96 | \$40.00 | |
| | NRC - Service Order submitted Electronically, per LSR | SOME C | \$2.75 | \$3.50 | \$3.50 | |
| | NRC - Service Order submitted Electronically, per LSR - Disconnect | SOME C | \$0.42 | NA | NA | |
| | NRC - Service Order submitted Manually, per LSR | SOMAN | \$21.56 | NA | \$19.99 | |
| | NRC - Service Order submitted Manually, per LSR, Disconnect | SOMAN | \$3.84 | NA | NA | |

BELLSOUTH/Actual RATES
NETWORK ELEMENTS
AND OTHER SERVICES

| | | | | | |
|--|---|-------|----------|----------|----------|
| | NRC - Incremental Charge - Manual Service Order - 1st | SOMAN | NA | NA | NA |
| | NRC - Incremental Charge - Manual Service Order - Add'l | SOMAN | NA | NA | NA |
| | NRC - Incremental Charge - Manual Service Order - Disconnect | SOMAN | NA | NA | NA |
| | NRC - Incremental Charge - Manual Service Order - Disconnect - Add'l | SOMAN | | | NA |
| | NRC - Incremental Charge - Manual Order Coordination - per loop | UCLMC | \$16.31 | \$36.46 | \$34.29 |
| | 4-Wire Unb Copper Loop/Short (< or = 18kft), without Man SI & Fac Res | | | | |
| | RC - Statewide, per month | UCL4W | NA | \$19.34 | NA |
| | Zone 1, per month | UCL4W | \$25.56 | \$18.65 | \$25.00 |
| | Zone 2, per month | UCL4W | \$30.53 | \$19.22 | \$27.50 |
| | Zone 3, per month | UCL4W | \$32.24 | \$30.55 | \$30.00 |
| | Zone 4, per month | UCL4W | NA | NA | NA |
| | NRC - 1st | UCL4W | \$305.43 | \$214.80 | \$261.00 |
| | NRC - Add'l | UCL4W | \$222.05 | \$162.61 | \$161.00 |
| | NRC - Disconnect Charge - 1st | UCL4W | \$114.30 | \$156.25 | \$150.00 |
| | NRC - Disconnect Charge - Add'l | UCL4W | \$19.58 | \$41.96 | \$40.00 |
| | NRC - Service Order submitted Electronically, per LSR | SOMEK | \$2.75 | \$3.50 | \$3.50 |
| | NRC - Service Order submitted Electronically, per LSR - Disconnect | SOMEK | \$0.42 | NA | NA |
| | NRC - Service Order submitted Manually, per LSR | SOMAN | \$21.56 | NA | \$19.99 |
| | NRC - Service Order submitted Manually, per LSR, Disconnect | SOMAN | \$3.84 | NA | NA |
| | NRC - Incremental Charge - Manual Service Order - 1st | SOMAN | NA | NA | NA |
| | NRC - Incremental Charge - Manual Service Order - Add'l | SOMAN | NA | NA | NA |
| | NRC - Incremental Charge - Manual Service Order - Disconnect | SOMAN | NA | NA | NA |
| | NRC - Incremental Charge - Manual Service Order - Disconnect - Add'l | SOMAN | NA | NA | NA |
| | NRC - Incremental Charge - Manual Order Coordination - per loop | UCLMC | \$16.31 | \$36.46 | \$34.29 |
| | 4-Wire Unb Copper Loop/Long (>18kft), Incl Man Svc Ing & Fac Res | | | | |
| | Statewide, Per month | UCL4L | NA | \$55.86 | NA |
| | Zone 1, per month | UCL4L | \$82.70 | \$47.56 | \$50.00 |
| | Zone 2, per month | UCL4L | \$119.02 | \$54.92 | \$60.00 |
| | Zone 3, per month | UCL4L | \$147.54 | \$87.30 | \$90.00 |
| | Zone 4, per month | UCL4L | NA | NA | NA |
| | NRC - 1st | UCL4L | \$380.29 | \$397.06 | \$400.00 |
| | NRC - Add'l | UCL4L | \$241.70 | \$227.88 | \$300.00 |
| | NRC - Disconnect Charge - 1st | UCL4L | \$161.19 | \$156.25 | \$150.00 |
| | NRC - Disconnect Charge - Add'l | UCL4L | \$39.76 | \$41.96 | \$40.00 |
| | NRC - Service Order submitted Electronically, per LSR | SOMEK | \$2.75 | \$3.50 | \$3.50 |
| | NRC - Service Order submitted Electronically, per LSR - Disconnect | SOMEK | \$0.42 | NA | NA |
| | NRC - Service Order submitted Manually, per LSR | SOMAN | \$21.56 | NA | \$19.99 |
| | NRC - Service Order submitted Manually, per LSR, Disconnect | SOMAN | \$3.84 | NA | NA |
| | NRC - Incremental Charge - Manual Service Order - 1st | SOMAN | NA | NA | NA |
| | NRC - Incremental Charge - Manual Service Order - Add'l | SOMAN | NA | NA | NA |
| | NRC - Incremental Charge - Manual Service Order - Disconnect | SOMAN | NA | NA | NA |
| | NRC - Incremental Charge - Manual Service Order - Disconnect - Add'l | SOMAN | NA | NA | NA |
| | NRC - Incremental Charge - Manual Order Coordination - per loop | UCLMC | \$16.31 | \$36.46 | \$34.29 |
| | 4-Wire Unb Copper Loop/Long (>18kft), without Man SI & Fac Res | | | | |
| | Statewide, Per month | UCL4O | NA | \$55.86 | NA |
| | Zone 1, per month | UCL4O | \$82.70 | \$47.56 | \$50.00 |
| | Zone 2, per month | UCL4O | \$119.02 | \$54.92 | \$60.00 |
| | Zone 3, per month | UCL4O | \$147.54 | \$87.30 | \$90.00 |

BELLSOUTH Actual RATES
 NETWORK ELEMENTS
 AND OTHER SERVICES

| | | | | | |
|--|---|-------|----------|----------|----------|
| | Zone 4, per month | UCL40 | NA | NA | NA |
| | NRC - 1st | UCL40 | \$247.44 | \$397.06 | \$261.00 |
| | NRC - Add'l | UCL40 | \$164.06 | \$227.68 | \$161.00 |
| | NRC - Disconnect Charge - 1st | UCL40 | \$114.30 | \$156.25 | \$150.00 |
| | NRC - Disconnect Charge - Add'l | UCL40 | \$19.58 | \$41.96 | \$40.00 |
| | NRC - Service Order submitted Electronically, per LSR | SOMEK | \$2.75 | \$3.50 | \$4.50 |
| | NRC - Service Order submitted Electronically, per LSR - Disconnect | SOMEK | \$0.42 | NA | NA |
| | NRC - Service Order submitted Manually, per LSR | SOMAN | \$21.56 | NA | \$19.99 |
| | NRC - Service Order submitted Manually, per LSR, Disconnect | SOMAN | \$3.84 | NA | NA |
| | NRC - Incremental Charge - Manual Service Order - 1st | SOMAN | NA | NA | NA |
| | NRC - Incremental Charge - Manual Service Order - Add'l | SOMAN | NA | NA | NA |
| | NRC - Incremental Charge - Manual Service Order - Disconnect | SOMAN | NA | NA | NA |
| | NRC - Incremental Charge - Manual Service Order - Disconnect - Add'l | SOMAN | NA | NA | NA |
| | NRC - Incremental Charge - Manual Order Coordination - per loop | UCLMC | \$16.31 | \$36.46 | \$34.29 |
| | DS3 Local Loop | | | | |
| | DS3 Unbundled Local Loop - per mile | 1L5ND | \$11.77 | \$8.90 | \$30.53 |
| | DS3 Unbundled Local Loop - per Facility Termination | UE3PX | \$404.58 | \$390.34 | \$400.21 |
| | NRC - Facility Termination - 1st | UE3PX | \$903.37 | \$639.50 | \$726.16 |
| | NRC - Facility Termination - Add'l | UE3PX | \$528.05 | \$426.40 | \$411.64 |
| | NRC - Facility Termination - Disconnect - 1st | UE3PX | \$221.46 | \$122.31 | \$103.36 |
| | NRC - Facility Termination - Disconnect - Add'l | UE3PX | \$154.90 | \$119.14 | \$100.59 |
| | NRC - Manual Svc Order, per LSR | SOMAN | \$21.56 | NA | \$19.99 |
| | NRC - Manual Svc Order, per LSR disconnect | SOMAN | \$3.84 | NA | NA |
| | NRC - Electronic Svc Order, per LSR | SOMEK | \$2.75 | \$3.50 | \$3.50 |
| | NRC - Electronic Svc Order, per LSR disconnect | SOMEK | \$0.42 | NA | NA |
| | NRC - Incremental Charge - Manual Svc Order - 1st | SOMAN | NA | \$37.55 | NA |
| | NRC - Incremental Charge - Manual Svc Order - Add'l | SOMAN | NA | \$37.55 | NA |
| | NRC - Incremental Cost - Manual Svc. Order vs. Elect-Disconnect-1st | SOMAN | NA | \$18.03 | NA |
| | NRC - Incremental Cost - Manual Svc. Order vs. Elect-Disconnect-Add'l | SOMAN | NA | \$18.03 | NA |
| | STS-1 Local Loop | | | | |
| | STS-1 Unbundled Local Loop - per mile | 1L5ND | \$11.77 | \$8.90 | \$30.53 |
| | STS-1 Unbundled Local Loop - per Facility Termination | UDLS1 | \$446.09 | \$421.59 | \$400.21 |
| | NRC - STS-1 - Facility Termination - 1st | UDLS1 | \$903.37 | \$639.50 | \$726.16 |
| | NRC - STS-1 - Facility Termination - Add'l | UDLS1 | \$528.05 | \$426.40 | \$411.64 |
| | NRC - STS-1 - Facility Termination - Disconnect - 1st | UDLS1 | \$221.46 | \$122.31 | \$103.36 |
| | NRC - STS-1 - Facility Termination - Disconnect - Add'l | UDLS1 | \$154.90 | \$119.14 | \$100.59 |
| | NRC - Manual Svc Order, per LSR | SOMAN | \$21.56 | NA | \$19.99 |
| | NRC - Manual Svc Order, per LSR disconnect | SOMAN | \$3.84 | NA | NA |
| | NRC - Electronic Svc Order, per LSR | SOMEK | \$2.75 | \$3.50 | \$3.50 |
| | NRC - Electronic Svc Order, per LSR disconnect | SOMEK | \$0.42 | NA | NA |
| | NRC - STS-1 - Incremental Charge - Manual Svc Order - 1st | SOMAN | NA | \$37.55 | NA |
| | NRC - STS-1 - Incremental Charge - Manual Svc Order - Add'l | SOMAN | NA | \$37.55 | NA |
| | NRC - STS-1 - Incremental Cost - Manual Svc. Order vs. Elect-Disconnect-1st | SOMAN | NA | \$18.03 | NA |
| | NRC - STS-1 - Incremental Cost - Manual Svc. Order vs. Elect-Disconnect-Add'l | SOMAN | NA | \$18.03 | NA |
| | OC3- Local Loop | | | | |
| | Local Loop - OC3 - per Mile | 1L5ND | \$8.93 | \$6.75 | \$23.16 |
| | Local Loop - OC3 - per Facility Termination | | \$648.60 | \$630.21 | \$620.20 |
| | NRC - OC3 - Facility Termination - 1st | | \$966.45 | \$947.69 | \$1,050 |
| | NRC - OC3 - Facility Termination - Add'l | | \$408.85 | \$413.00 | \$411.64 |
| | NRC - OC3 - Facility Termination - Disconnect - 1st | | \$11.56 | \$122.31 | \$103.36 |
| | NRC - OC3 - Facility Termination - Disconnect - Add'l | | \$108.34 | \$119.14 | \$100.59 |
| | NRC - Manual Svc Order, per LSR | SOMAN | \$21.56 | NA | \$19.99 |
| | NRC - Manual Svc Order, per LSR disconnect | SOMAN | \$3.84 | NA | NA |

BELLSOUTH/At&T RATES
 NETWORK ELEMENTS
 AND OTHER SERVICES

| | | | | | |
|--|---|--------|------------|------------|----------|
| | NRC - Electronic Svc Order, per LSR | SOME C | \$2.75 | \$3.50 | \$3.50 |
| | NRC - Electronic Svc Order, per LSR disconnect | SOME C | \$0.42 | NA | NA |
| | NRC - OC3 - Incremental Charge - Manual Svc Order - 1st | SOMAN | NA | \$37.55 | NA |
| | NRC - OC3 - Incremental Charge - Manual Svc Order - Add'l | SOMAN | NA | \$37.55 | NA |
| | NRC - OC3 - Incremental Cost - Manual Svc. Order vs. Elect-Disconnect-1st | SOMAN | NA | \$18.03 | NA |
| | NRC - OC3 - Incremental Cost - Manual Svc. Order vs. Elect-Disconnect-Add'l | SOMAN | NA | \$18.03 | NA |
| | OC - 12 Local Loop | | | | |
| | Local Loop - OC12 - per Mile | 1L5ND | \$10.99 | \$8.31 | \$28.51 |
| | Local Loop - OC12 - per Facility Termination | | \$2,053.06 | \$2,109.00 | \$2,079 |
| | NRC - OC12 - Facility Termination - 1st | | \$1,183.46 | \$1,162.00 | \$1,276 |
| | NRC - OC12 - Facility Termination - Add'l | | \$408.85 | \$413.00 | \$411.64 |
| | NRC - OC12 - Facility Termination - Disconnect - 1st | | \$111.56 | \$122.31 | \$103.36 |
| | NRC - OC12 - Facility Termination - Disconnect - Add'l | | \$108.34 | \$119.14 | \$100.59 |
| | NRC - Manual Svc Order, per LSR | SOMAN | \$21.56 | NA | \$19.99 |
| | NRC - Manual Svc Order, per LSR disconnect | SOMAN | \$3.84 | NA | NA |
| | NRC - Electronic Svc Order, per LSR | SOME C | \$2.75 | \$3.50 | \$3.50 |
| | NRC - Electronic Svc Order, per LSR disconnect | SOME C | \$0.42 | NA | NA |
| | NRC - OC12 - Incremental Charge - Manual Svc Order - 1st | SOMAN | NA | \$37.55 | NA |
| | NRC - OC12 - Incremental Charge - Manual Svc Order - Add'l | SOMAN | NA | \$37.55 | NA |
| | NRC - OC12 - Incremental Cost - Manual Svc. Order vs. Elect-Disconnect-1st | SOMAN | NA | \$18.03 | NA |
| | NRC - OC12 - Incremental Cost - Manual Svc. Order vs. Elect-Disconnect-Add'l | SOMAN | NA | \$18.03 | NA |
| | OC - 48 Local Loop | | | | |
| | Local Loop - OC48 - per Mile | 1L5ND | \$36.04 | \$27.25 | \$93.50 |
| | Local Loop - OC48 - per Facility Termination | | \$1,685.97 | \$1,598.00 | \$1,832 |
| | Local Loop - OC12 interface on OC48 Facility | | \$587.71 | \$594.80 | \$570.54 |
| | NRC - OC48 - Facility Termination - 1st | | \$1,183.46 | \$1,162.00 | \$1,276 |
| | NRC - OC48 - Facility Termination - Add'l | | \$408.85 | \$413.00 | \$411.64 |
| | NRC - OC48 - Interface OC12 on OC48 - 1st | | \$543.72 | \$539.36 | \$544.55 |
| | NRC - OC48 - Interface OC12 on OC48 - Add'l | | \$312.05 | \$317.38 | \$311.39 |
| | NRC - OC48 - Facility Termination - Disconnect - 1st | | \$111.56 | \$122.31 | \$103.36 |
| | NRC - OC48 - Facility Termination - Disconnect - Add'l | | \$108.34 | \$119.14 | \$100.59 |
| | NRC - OC48 - Interface OC12 on OC48 - Disconnect - 1st | | \$111.56 | \$122.31 | \$103.36 |
| | NRC - OC48 - Interface OC12 on OC48 - Disconnect - Add'l | | \$108.34 | \$119.14 | \$100.59 |
| | NRC - Manual Svc Order, per LSR | SOMAN | \$21.56 | NA | \$19.99 |
| | NRC - Manual Svc Order, per LSR disconnect | SOMAN | \$3.84 | NA | NA |
| | NRC - Electronic Svc Order, per LSR | SOME C | \$2.75 | \$3.50 | \$3.50 |
| | NRC - Electronic Svc Order, per LSR disconnect | SOME C | \$0.42 | NA | NA |
| | NRC - OC48 - Facility Termination - Manual Svc Order vs Electronic-Disconnect-1st | SOMAN | NA | \$18.03 | NA |
| | NRC - OC48 - Facility Termination - Manual Svc Order vs Electronic-Disconnect-Add'l | SOMAN | NA | \$18.03 | NA |
| | NRC - OC48 - Interface - Manual Svc Order vs Electronic-Disconnect-1st | SOMAN | NA | \$18.03 | NA |
| | NRC - OC48 - Interface - Manual Svc Order vs Electronic-Disconnect-Add'l | SOMAN | NA | \$18.03 | NA |
| | NRC - OC48 - Incremental Charge - Manual Svc Order - 1st | SOMAN | NA | \$37.55 | NA |
| | NRC - OC48 - Incremental Charge - Manual Svc Order - Add'l | SOMAN | NA | \$37.55 | NA |
| | NRC - OC48 - Interface OC12 on OC48 - Incremental Charge - Manual Svc Order | SOMAN | NA | \$37.55 | NA |
| | NRC - OC48 - Interface OC12 on OC48 - Incremental Charge - Manual Svc Order | SOMAN | NA | \$37.55 | NA |
| | Unbundled Loop Modification/Conditioning | | | | |
| | NRC - Load Coil/Equipment Removal per 2 Wire pair - Loops less than or equal to 18kt ** | ULM2L | \$65.40 | \$69.28 | \$65.40 |
| | NRC - Load Coil/Equipment Removal per 2 Wire pair - Loops greater than 18kt - 1st ** | ULM2G | \$710.71 | \$757.04 | \$710.71 |
| | NRC - Load Coil/Equipment Removal per 2 Wire pair - Loops greater than 18kt - Add'l ** | ULM2G | \$23.77 | \$23.49 | \$23.77 |
| | NRC - Load Coil/Equipment Removal per 4 Wire pair - Loops less than or equal to 18kt ** | ULM4L | \$65.40 | \$69.28 | \$65.40 |

BELLSOUTH/Actel RATES
NETWORK ELEMENTS
AND OTHER SERVICES

| | | | | | |
|--|--|-------|----------|----------|----------|
| | NRC - Load Coil/Equipment Removal per 4 Wire pair - Loops greater than 18kt - 1st ** | ULM4G | \$710.71 | \$757.04 | \$710.71 |
| | NRC - Load Coil/Equipment Removal per 4 Wire pair - Loops greater than 18kt - Add'l ** | ULM4G | \$23.77 | \$23.49 | \$23.77 |
| | NRC - Bridge Tap Removal per pair unloaded ** | ULMBT | \$65.44 | \$79.99 | \$65.44 |
| | UNBUNDLED SUB-LOOPS | | | | |
| | SUB-LOOP DISTRIBUTION | | | | |
| | Cross-Box Set-Up | | | | |
| | NRC - Set-Up per Cross Box location in the field - CLEC Feeder Facility set-up | USBSA | \$711.78 | \$421.08 | TBD |
| | NRC - Set-Up per Cross Box location in the field - per 25 pair panel set-up | USBSB | \$45.28 | \$67.10 | TBD |
| | NRC - Set-Up per Building Equipment Room - CLEC Feeder Facility set-up | USBSC | \$333.44 | \$384.74 | \$314.09 |
| | NRC - Set-Up per Building Equipment Room - per 25 pair panel set-up | USBSD | \$109.85 | \$154.57 | \$119.07 |
| | Loop Distribution per 3-Wire Analog VG Sub-Loop, per month | USBN2 | NA | \$9.12 | TBD |
| | Zone 1, per month | USBN2 | \$9.36 | TBD | TBD |
| | Zone 2, per month | USBN2 | \$12.49 | TBD | TBD |
| | Zone 3, per month | USBN2 | \$16.13 | TBD | TBD |
| | Zone 4, per month | USBN2 | NA | NA | NA |
| | NRC - 1st | USBN2 | \$139.20 | \$207.01 | TBD |
| | NRC - Add'l | USBN2 | \$61.94 | \$171.32 | TBD |
| | NRC - Disconnect Charge - 1st | USBN2 | \$98.49 | TBD | TBD |
| | NRC - Disconnect Charge - Add'l | USBN2 | \$13.08 | TBD | TBD |
| | NRC - Service Order submitted Electronically, per LSR | SOMEc | \$2.75 | \$3.50 | TBD |
| | NRC - Service Order submitted Electronically, per LSR - Disconnect | SOMEc | \$0.42 | NA | TBD |
| | NRC - Service Order submitted Manually, per LSR | SOMAN | \$21.56 | NA | TBD |
| | NRC - Service Order submitted Manually, per LSR, Disconnect | SOMAN | \$3.84 | NA | TBD |
| | NRC - Incremental Charge - Manual Service Order - 1st | SOMAN | NA | \$18.94 | TBD |
| | NRC - Incremental Charge - Manual Service Order - Add'l | SOMAN | NA | \$8.42 | TBD |
| | NRC - Incremental Charge - Manual Service Order - Disconnect | SOMAN | NA | TBD | TBD |
| | NRC - Incremental Charge - Manual Order Coordination - per loop | USBMC | \$16.31 | \$34.22 | TBD |
| | Loop Distribution per 4-Wire Analog VG Sub-Loop, per month | USBN4 | NA | \$8.32 | NA |
| | Zone 1, per month | USBN4 | \$10.12 | TBD | TBD |
| | Zone 2, per month | USBN4 | \$18.29 | TBD | TBD |
| | Zone 3, per month | USBN4 | \$26.09 | TBD | TBD |
| | Zone 4, per month | USBN4 | NA | NA | TBD |
| | NRC - 1st | USBN4 | \$165.68 | \$219.35 | TBD |
| | NRC - Add'l | USBN4 | \$68.42 | \$72.99 | TBD |
| | NRC - Disconnect Charge - 1st | USBN4 | \$104.31 | \$123.72 | TBD |
| | NRC - Disconnect Charge - Add'l | USBN4 | \$17.15 | \$28.77 | TBD |
| | NRC - Service Order submitted Electronically, per LSR | SOMEc | \$2.75 | \$3.50 | |
| | NRC - Service Order submitted Electronically, per LSR - Disconnect | SOMEc | \$0.42 | NA | |
| | NRC - Service Order submitted Manually, per LSR | SOMAN | \$21.56 | NA | |
| | NRC - Service Order submitted Manually, per LSR, Disconnect | SOMAN | \$3.84 | NA | |
| | NRC - Incremental Charge - Manual Service Order - 1st | SOMAN | NA | NA | TBD |
| | NRC - Incremental Charge - Manual Service Order - Add'l | SOMAN | NA | NA | TBD |
| | NRC - Incremental Charge - Manual Service Order - Disconnect | SOMAN | NA | NA | TBD |
| | NRC - Incremental Charge - Manual Order Coordination - per loop | USBMC | \$16.31 | \$34.22 | TBD |
| | Loop Distribution per 2-Wire Unbundled Copper Sub-Loop, per month | UCS2X | NA | TBD | NA |
| | Zone 1, per month | UCS2X | \$7.91 | TBD | TBD |
| | Zone 2, per month | UCS2X | \$10.37 | TBD | TBD |
| | Zone 3, per month | UCS2X | \$12.76 | TBD | TBD |
| | Zone 4, per month | UCS2X | NA | NA | TBD |
| | NRC - 1st | UCS2X | \$139.20 | TBD | TBD |
| | NRC - Add'l | UCS2X | \$61.94 | TBD | TBD |

BELLSOUTH/Actual RATES
NETWORK ELEMENTS
AND OTHER SERVICES

| | | | | | |
|--|--|--------|----------|----------|----------|
| | NRC - Disconnect Charge - 1st | UCS2X | \$98.49 | TBD | TBD |
| | NRC - Disconnect Charge - Add'l | UCS2X | \$13.08 | TBD | TBD |
| | NRC - Service Order submitted Electronically, per LSR | SOMECS | \$2.75 | \$3.50 | TBD |
| | NRC - Service Order submitted Electronically, per LSR - Disconnect | SOMECS | \$0.42 | NA | TBD |
| | NRC - Service Order submitted Manually, per LSR | SOMAN | \$21.56 | NA | TBD |
| | NRC - Service Order submitted Manually, per LSR, Disconnect | SOMAN | \$3.84 | NA | TBD |
| | NRC - Incremental Charge - Manual Service Order - 1st | SOMAN | NA | TBD | TBD |
| | NRC - Incremental Charge - Manual Service Order - Add'l | SOMAN | NA | TBD | TBD |
| | NRC - Incremental Charge - Manual Service Order - Disconnect | SOMAN | NA | TBD | TBD |
| | NRC - Incremental Charge - Manual Order Coordination - per loop | USBMC | \$16.31 | TBD | TBD |
| | Loop Distribution per 4 Wire Unbundled Copper Sub-Loop, per month | UCS4X | NA | TBD | NA |
| | Zone 1, per month | UCS4X | \$7.11 | TBD | TBD |
| | Zone 2, per month | UCS4X | \$11.26 | TBD | TBD |
| | Zone 3, per month | UCS4X | \$16.92 | TBD | TBD |
| | Zone 4, per month | UCS4X | NA | NA | TBD |
| | NRC - 1st | UCS4X | \$185.68 | TBD | TBD |
| | NRC - Add'l | UCS4X | \$88.42 | TBD | TBD |
| | NRC - Disconnect Charge - 1st | UCS4X | \$104.31 | TBD | TBD |
| | NRC - Disconnect Charge - Add'l | UCS4X | \$17.15 | TBD | TBD |
| | NRC - Service Order submitted Electronically, per LSR | SOMECS | \$2.75 | \$3.50 | TBD |
| | NRC - Service Order submitted Electronically, per LSR - Disconnect | SOMECS | \$0.42 | NA | TBD |
| | NRC - Service Order submitted Manually, per LSR | SOMAN | \$21.56 | NA | TBD |
| | NRC - Service Order submitted Manually, per LSR, Disconnect | SOMAN | \$3.84 | NA | TBD |
| | NRC - Incremental Charge - Manual Service Order - 1st | SOMAN | NA | TBD | TBD |
| | NRC - Incremental Charge - Manual Service Order - Add'l | SOMAN | NA | TBD | TBD |
| | NRC - Incremental Charge - Manual Service Order - Disconnect | SOMAN | NA | TBD | TBD |
| | NRC - Incremental Charge - Manual Order Coordination - per loop | USBMC | \$16.31 | TBD | TBD |
| | Sub-Loop-Intrabldg Ntwk Cable (aka riser cable), 2W analog, per mo | USBR2 | \$3.87 | \$1.61 | \$1.47 |
| | NRC - 1st | USBR2 | \$113.62 | \$137.03 | \$150.35 |
| | NRC - Add'l | USBR2 | \$36.36 | \$41.59 | \$45.63 |
| | NRC - Disconnect Charge - 1st | USBR2 | \$98.49 | \$115.85 | \$128.85 |
| | NRC - Disconnect Charge - Add'l | USBR2 | \$13.08 | \$19.17 | \$21.32 |
| | NRC - Service Order submitted Electronically, per LSR | SOMECS | \$2.75 | \$3.50 | \$3.50 |
| | NRC - Service Order submitted Electronically, per LSR - Disconnect | SOMECS | \$0.42 | NA | TBD |
| | NRC - Service Order submitted Manually, per LSR | SOMAN | \$21.56 | NA | \$19.99 |
| | NRC - Service Order submitted Manually, per LSR, Disconnect | SOMAN | \$3.84 | NA | TBD |
| | NRC - Incremental Charge - Manual Service Order - 1st | SOMAN | NA | NA | NA |
| | NRC - Incremental Charge - Manual Service Order - Add'l | SOMAN | NA | NA | NA |
| | NRC - Incremental Charge - Manual Service Order - Disconnect | SOMAN | NA | NA | NA |
| | NRC - Incremental Charge - Manual Order Coordination - per loop | USBMC | \$16.31 | \$34.22 | \$55.00 |
| | Sub-Loop-Intrabldg Ntwk Cable (aka riser cable), 4W analog, per mo | USBR4 | \$7.20 | \$2.96 | \$2.55 |
| | NRC - 1st | USBR4 | \$126.10 | \$178.46 | \$193.62 |
| | NRC - Add'l | USBR4 | \$48.84 | \$55.11 | \$60.47 |
| | NRC - Disconnect Charge - 1st | USBR4 | \$104.31 | \$122.17 | \$135.88 |
| | NRC - Disconnect Charge - Add'l | USBR4 | \$17.15 | \$19.57 | \$21.78 |
| | NRC - Service Order submitted Electronically, per LSR | SOMECS | \$2.75 | \$3.50 | \$3.50 |
| | NRC - Service Order submitted Electronically, per LSR - Disconnect | SOMECS | \$0.42 | NA | TBD |
| | NRC - Service Order submitted Manually, per LSR | SOMAN | \$21.56 | NA | \$19.99 |
| | NRC - Service Order submitted Manually, per LSR, Disconnect | SOMAN | \$3.84 | NA | TBD |
| | NRC - Incremental Charge - Manual Service Order - 1st | SOMAN | NA | NA | NA |
| | NRC - Incremental Charge - Manual Service Order - Add'l | SOMAN | NA | NA | NA |
| | NRC - Incremental Charge - Manual Service Order - Disconnect | SOMAN | NA | NA | NA |
| | NRC - Incremental Charge - Manual Order Coordination - per loop | USBMC | \$16.31 | \$34.22 | \$55.00 |
| | SUB-LOOP FEEDER | | | | |

BELLSOUTH Actual RATES
 NETWORK ELEMENTS
 AND OTHER SERVICES

| | | | | | |
|--|---|--------|----------|----------|-----|
| | Cross-Box Set-Up | | | | |
| | NRC - DS0 Set-Up per Cross Box location - CLEC Distribution Facility set-up | USBFW | 711.70 | \$421.08 | TBD |
| | NRC - DS0 Set-Up per Cross Box location - per 26 pair panel set-up | USBFX | 45.28 | \$67.10 | TBD |
| | NRC - DS1 Set-Up per Cross Box location - CLEC Distribution Facility set-up | USBFY | 711.78 | \$421.08 | TBD |
| | NRC - DS1 Set-Up per Cross Box location - per pair panel set-up | USBFZ | 45.28 | \$67.10 | TBD |
| | 2-Wire Analog VG Ground-Start Unbundled Sub-Loop Feeder, per month | USBFA | NA | \$8.58 | NA |
| | Zone 1, per month | USBFA | \$10.75 | TBD | TBD |
| | Zone 2, per month | USBFA | \$11.57 | TBD | TBD |
| | Zone 3, per month | USBFA | \$13.51 | TBD | TBD |
| | Zone 4, per month | USBFA | NA | NA | TBD |
| | NRC - 1st | USBFA | \$193.82 | \$206.44 | TBD |
| | NRC - Add'l | USBFA | \$113.00 | \$170.05 | TBD |
| | NRC - Disconnect Charge - 1st | USBFA | \$116.59 | TBD | TBD |
| | NRC - Disconnect Charge - Add'l | USBFA | \$26.70 | TBD | TBD |
| | NRC - Service Order submitted Electronically, per LSR | SOME C | \$2.75 | \$3.50 | TBD |
| | NRC - Service Order submitted Electronically, per LSR - Disconnect | SOME C | \$0.42 | NA | TBD |
| | NRC - Service Order submitted Manually, per LSR | SOMAN | \$21.56 | NA | TBD |
| | NRC - Service Order submitted Manually, per LSR, Disconnect | SOMAN | \$3.84 | NA | TBD |
| | NRC - Incremental Charge - Manual Service Order - 1st | SOMAN | NA | \$18.94 | TBD |
| | NRC - Incremental Charge - Manual Service Order - Add'l | SOMAN | NA | \$8.42 | TBD |
| | NRC - Incremental Charge - Manual Service Order - Disconnect | SOMAN | NA | TBD | TBD |
| | 2-Wire Analog VG Loop-Start Unbundled Sub-Loop Feeder, per month | USBFB | NA | \$8.58 | NA |
| | Zone 1, per month | USBFB | \$10.75 | TBD | TBD |
| | Zone 2, per month | USBFB | \$11.57 | TBD | TBD |
| | Zone 3, per month | USBFB | \$13.51 | TBD | TBD |
| | Zone 4, per month | USBFB | NA | NA | TBD |
| | NRC - 1st | USBFB | \$193.82 | \$206.44 | TBD |
| | NRC - Add'l | USBFB | \$113.00 | \$170.05 | TBD |
| | NRC - Disconnect Charge - 1st | USBFB | \$116.59 | TBD | TBD |
| | NRC - Disconnect Charge - Add'l | USBFB | \$26.70 | TBD | TBD |
| | NRC - Service Order submitted Electronically, per LSR | SOME C | \$2.75 | \$3.50 | TBD |
| | NRC - Service Order submitted Electronically, per LSR - Disconnect | SOME C | \$0.42 | NA | TBD |
| | NRC - Service Order submitted Manually, per LSR | SOMAN | \$21.56 | NA | TBD |
| | NRC - Service Order submitted Manually, per LSR, Disconnect | SOMAN | \$3.84 | NA | TBD |
| | NRC - Incremental Charge - Manual Service Order - 1st | SOMAN | NA | \$18.94 | TBD |
| | NRC - Incremental Charge - Manual Service Order - Add'l | SOMAN | NA | \$8.42 | TBD |
| | NRC - Incremental Charge - Manual Service Order - Disconnect | SOMAN | NA | TBD | TBD |
| | 2-Wire Analog VG Reverse Battery Unb Sub-Loop Feeder, per mo | USBFC | NA | \$8.58 | NA |
| | Zone 1, per month | USBFC | \$10.75 | TBD | TBD |
| | Zone 2, per month | USBFC | \$11.57 | TBD | TBD |
| | Zone 3, per month | USBFC | \$13.51 | TBD | TBD |
| | Zone 4, per month | USBFC | NA | NA | NA |
| | NRC - 1st | USBFC | \$193.82 | \$206.44 | TBD |
| | NRC - Add'l | USBFC | \$113.00 | \$170.05 | TBD |
| | NRC - Disconnect Charge - 1st | USBFC | \$116.59 | TBD | TBD |
| | NRC - Disconnect Charge - Add'l | USBFC | \$26.70 | TBD | TBD |
| | NRC - Service Order submitted Electronically, per LSR | SOME C | \$2.75 | \$3.50 | TBD |
| | NRC - Service Order submitted Electronically, per LSR - Disconnect | SOME C | \$0.42 | NA | TBD |
| | NRC - Service Order submitted Manually, per LSR | SOMAN | \$21.56 | NA | TBD |
| | NRC - Service Order submitted Manually, per LSR, Disconnect | SOMAN | \$3.84 | NA | TBD |

BELLSOUTH/Actel RATES
NETWORK ELEMENTS
AND OTHER SERVICES

| | | | | | |
|--|---|-------|----------|----------|-----|
| | NRC - Incremental Charge - Manual Service Order - 1st | SOMAN | NA | \$18.94 | TBD |
| | NRC - Incremental Charge - Manual Service Order - Add'l | SOMAN | NA | \$8.42 | TBD |
| | NRC - Incremental Charge - Manual Service Order - Disconnect | SOMAN | NA | TBD | TBD |
| | 4-Wire Analog VG Ground-Start Unbundled Sub-Loop Feeder, per month | USBFD | NA | \$19.91 | NA |
| | Zone 1, per month | USBFD | \$23.35 | TBD | TBD |
| | Zone 2, per month | USBFD | \$27.94 | TBD | TBD |
| | Zone 3, per month | USBFD | \$40.51 | TBD | TBD |
| | Zone 4, per month | USBFD | NA | NA | NA |
| | NRC - 1st | USBFD | \$222.74 | \$243.41 | TBD |
| | NRC - Add'l | USBFD | \$140.22 | \$81.32 | TBD |
| | NRC - Disconnect Charge - 1st | USBFD | \$127.64 | \$134.77 | TBD |
| | NRC - Disconnect Charge - Add'l | USBFD | \$32.91 | \$33.93 | TBD |
| | NRC - Service Order submitted Electronically, per LSR | SOMEK | \$2.75 | \$3.50 | TBD |
| | NRC - Service Order submitted Electronically, per LSR - Disconnect | SOMEK | \$0.42 | NA | TBD |
| | NRC - Service Order submitted Manually, per LSR | SOMAN | \$21.56 | NA | TBD |
| | NRC - Service Order submitted Manually, per LSR, Disconnect | SOMAN | \$3.84 | NA | TBD |
| | NRC - Incremental Charge - Manual Service Order - 1st | SOMAN | NA | NA | TBD |
| | NRC - Incremental Charge - Manual Service Order - Add'l | SOMAN | NA | NA | TBD |
| | NRC - Incremental Charge - Manual Service Order - Disconnect | SOMAN | NA | NA | TBD |
| | 4-Wire Analog VG Loop-Start Unbundled Sub-Loop Feeder, per month | USBFE | NA | \$19.91 | NA |
| | Zone 1, per month | USBFE | \$23.35 | TBD | TBD |
| | Zone 2, per month | USBFE | \$27.94 | TBD | TBD |
| | Zone 3, per month | USBFE | \$40.51 | TBD | TBD |
| | Zone 4, per month | USBFE | NA | NA | NA |
| | NRC - 1st | USBFE | \$222.74 | \$243.41 | TBD |
| | NRC - Add'l | USBFE | \$140.22 | \$81.32 | TBD |
| | NRC - Disconnect Charge - 1st | USBFE | \$127.64 | \$134.77 | TBD |
| | NRC - Disconnect Charge - Add'l | USBFE | \$32.91 | \$33.93 | TBD |
| | NRC - Service Order submitted Electronically, per LSR | SOMEK | \$2.75 | \$3.50 | TBD |
| | NRC - Service Order submitted Electronically, per LSR - Disconnect | SOMEK | \$0.42 | NA | TBD |
| | NRC - Service Order submitted Manually, per LSR | SOMAN | \$21.56 | NA | TBD |
| | NRC - Service Order submitted Manually, per LSR, Disconnect | SOMAN | \$3.84 | NA | TBD |
| | NRC - Incremental Charge - Manual Service Order - 1st | SOMAN | NA | NA | TBD |
| | NRC - Incremental Charge - Manual Service Order - Add'l | SOMAN | NA | NA | TBD |
| | NRC - Incremental Charge - Manual Service Order - Disconnect | SOMAN | NA | NA | TBD |
| | 2-Wire ISDN Unbundled Sub-Loop Feeder, per month | USBFF | NA | \$17.73 | NA |
| | Zone 1, per month | USBFF | \$22.39 | TBD | TBD |
| | Zone 2, per month | USBFF | \$25.85 | TBD | TBD |
| | Zone 3, per month | USBFF | \$26.12 | TBD | TBD |
| | Zone 4, per month | USBFF | NA | NA | NA |
| | NRC - 1st | USBFF | \$222.74 | \$208.50 | TBD |
| | NRC - Add'l | USBFF | \$140.22 | \$62.31 | TBD |
| | NRC - Disconnect Charge - 1st | USBFF | \$127.64 | \$119.68 | TBD |
| | NRC - Disconnect Charge - Add'l | USBFF | \$32.91 | \$29.58 | TBD |
| | NRC - Service Order submitted Electronically, per LSR | SOMEK | \$2.75 | \$3.50 | TBD |
| | NRC - Service Order submitted Electronically, per LSR - Disconnect | SOMEK | \$0.42 | NA | TBD |
| | NRC - Service Order submitted Manually, per LSR | SOMAN | \$21.56 | NA | TBD |
| | NRC - Service Order submitted Manually, per LSR, Disconnect | SOMAN | \$3.84 | NA | TBD |
| | NRC - Incremental Charge - Manual Service Order - 1st | SOMAN | NA | NA | TBD |
| | NRC - Incremental Charge - Manual Service Order - Add'l | SOMAN | NA | NA | TBD |
| | NRC - Incremental Charge - Manual Service Order - Disconnect | SOMAN | NA | NA | TBD |

BELLSOUTH/Actual RATES
NETWORK ELEMENTS
AND OTHER SERVICES

| | | | | | |
|---|--|--------|----------|--------|-----|
| 4-Wire DSI Unbundled Sub-Loop Feeder, per month | | USBFG | NA | TBD | NA |
| | Zone 1, per month | USBFG | \$56.00 | TBD | TBD |
| | Zone 2, per month | USBFG | \$80.13 | TBD | TBD |
| | Zone 3, per month | USBFG | \$156.12 | TBD | TBD |
| | Zone 4, per month | USBFG | NA | NA | NA |
| | NRC - 1st | USBFG | \$211.55 | TBD | TBD |
| | NRC - Add'l | USBFG | \$129.04 | TBD | TBD |
| | NRC - Disconnect Charge - 1st | USBFG | \$127.78 | TBD | TBD |
| | NRC - Disconnect Charge - Add'l | USBFG | \$33.06 | TBD | TBD |
| | NRC - Service Order submitted Electronically, per LSR | SOME C | \$2.75 | \$3.50 | TBD |
| | NRC - Service Order submitted Electronically, per LSR - Disconnect | SOME C | \$0.42 | NA | TBD |
| | NRC - Service Order submitted Manually, per LSR | SOMAN | \$21.56 | NA | TBD |
| | NRC - Service Order submitted Manually, per LSR, Disconnect | SOMAN | \$3.84 | NA | TBD |
| | NRC - Incremental Charge - Manual Service Order - 1st | SOMAN | NA | TBD | TBD |
| | NRC - Incremental Charge - Manual Service Order - Add'l | SOMAN | NA | TBD | TBD |
| | NRC - Incremental Charge - Manual Service Order - Disconnect | SOMAN | NA | TBD | TBD |
| 2-Wire Copper Unbundled Sub-Loop Feeder, per month | | USBFH | NA | NA | NA |
| | Zone 1, per month | USBFH | \$11.01 | TBD | TBD |
| | Zone 2, per month | USBFH | \$9.78 | TBD | TBD |
| | Zone 3, per month | USBFH | \$7.83 | TBD | TBD |
| | Zone 4, per month | USBFH | NA | NA | NA |
| | NRC - 1st | USBFH | \$175.18 | TBD | TBD |
| | NRC - Add'l | USBFH | \$92.66 | TBD | TBD |
| | NRC - Disconnect Charge - 1st | USBFH | \$113.67 | TBD | TBD |
| | NRC - Disconnect Charge - Add'l | USBFH | \$20.84 | TBD | TBD |
| | NRC - Service Order submitted Electronically, per LSR | SOME C | \$2.75 | \$3.50 | TBD |
| | NRC - Service Order submitted Electronically, per LSR - Disconnect | SOME C | \$0.42 | NA | TBD |
| | NRC - Service Order submitted Manually, per LSR | SOMAN | \$21.56 | NA | TBD |
| | NRC - Service Order submitted Manually, per LSR, Disconnect | SOMAN | \$3.84 | NA | TBD |
| | NRC - Incremental Charge - Manual Service Order - 1st | SOMAN | NA | TBD | TBD |
| | NRC - Incremental Charge - Manual Service Order - Add'l | SOMAN | NA | TBD | TBD |
| | NRC - Incremental Charge - Manual Service Order - Disconnect | SOMAN | NA | TBD | TBD |
| | NRC - Incremental Charge - Manual Order Coordination - per loop | USBMC | \$16.31 | TBD | TBD |
| 4-Wire Copper Unbundled Sub-Loop Feeder, per month | | USBFJ | NA | NA | NA |
| | Zone 1, per month | USBFJ | \$20.59 | TBD | TBD |
| | Zone 2, per month | USBFJ | \$21.48 | TBD | TBD |
| | Zone 3, per month | USBFJ | \$17.70 | TBD | TBD |
| | Zone 4, per month | USBFJ | NA | NA | NA |
| | NRC - 1st | USBFJ | \$209.61 | TBD | TBD |
| | NRC - Add'l | USBFJ | \$127.09 | TBD | TBD |
| | NRC - Disconnect Charge - 1st | USBFJ | \$119.80 | TBD | TBD |
| | NRC - Disconnect Charge - Add'l | USBFJ | \$25.07 | TBD | TBD |
| | NRC - Service Order submitted Electronically, per LSR | SOME C | \$2.75 | \$3.50 | TBD |
| | NRC - Service Order submitted Electronically, per LSR - Disconnect | SOME C | \$0.42 | NA | TBD |
| | NRC - Service Order submitted Manually, per LSR | SOMAN | \$21.56 | NA | TBD |
| | NRC - Service Order submitted Manually, per LSR, Disconnect | SOMAN | \$3.84 | NA | TBD |
| | NRC - Incremental Charge - Manual Service Order - 1st | SOMAN | NA | TBD | TBD |
| | NRC - Incremental Charge - Manual Service Order - Add'l | SOMAN | NA | TBD | TBD |
| | NRC - Incremental Charge - Manual Service Order - Disconnect | SOMAN | NA | TBD | TBD |
| | NRC - Incremental Charge - Manual Order Coordination - per loop | USBMC | \$16.31 | TBD | TBD |
| 4-Wire 2.4 Kbps Digital Unbundled Sub-Loop Feeder, per month | | USBFK | NA | NA | NA |
| | Zone 1, per month | USBFK | \$24.89 | TBD | TBD |

BELLSOUTH/Walsh RATES
NETWORK ELEMENTS
AND OTHER SERVICES

| | | | | | |
|--|--|-------|----------|--------|-----|
| | Zone 2, per month | USBFK | \$28.83 | TBD | TBD |
| | Zone 3, per month | USBFK | \$29.16 | TBD | TBD |
| | Zone 4, per month | USBFK | NA | NA | NA |
| | NRC - 1st | USBFK | \$211.32 | TBD | TBD |
| | NRC - Add'l | USBFK | \$128.81 | TBD | TBD |
| | NRC - Disconnect Charge - 1st | USBFK | \$127.64 | TBD | TBD |
| | NRC - Disconnect Charge - Add'l | USBFK | \$32.91 | TBD | TBD |
| | NRC - Service Order submitted Electronically, per LSR | SOMEK | \$2.75 | \$3.50 | TBD |
| | NRC - Service Order submitted Electronically, per LSR - Disconnect | SOMEK | \$0.42 | NA | TBD |
| | NRC - Service Order submitted Manually, per LSR | SOMAN | \$21.56 | NA | TBD |
| | NRC - Service Order submitted Manually, per LSR, Disconnect | SOMAN | \$3.84 | NA | TBD |
| | NRC - Incremental Charge - Manual Service Order - 1st | SOMAN | NA | TBD | TBD |
| | NRC - Incremental Charge - Manual Service Order - Add'l | SOMAN | NA | TBD | TBD |
| | NRC - Incremental Charge - Manual Service Order - Disconnect | SOMAN | NA | TBD | TBD |
| | | | | | |
| | 4-Wire 4.8 KBPS Digital Unbundled Sub-Loop Feeder, per month | USBFL | NA | NA | NA |
| | Zone 1, per month | USBFL | \$24.89 | TBD | TBD |
| | Zone 2, per month | USBFL | \$28.83 | TBD | TBD |
| | Zone 3, per month | USBFL | \$29.16 | TBD | TBD |
| | Zone 4, per month | USBFL | NA | NA | NA |
| | NRC - 1st | USBFL | \$211.32 | TBD | TBD |
| | NRC - Add'l | USBFL | \$128.81 | TBD | TBD |
| | NRC - Disconnect Charge - 1st | USBFL | \$127.64 | TBD | TBD |
| | NRC - Disconnect Charge - Add'l | USBFL | \$32.91 | TBD | TBD |
| | NRC - Service Order submitted Electronically, per LSR | SOMEK | \$2.75 | \$3.50 | TBD |
| | NRC - Service Order submitted Electronically, per LSR - Disconnect | SOMEK | \$0.42 | NA | TBD |
| | NRC - Service Order submitted Manually, per LSR | SOMAN | \$21.56 | NA | TBD |
| | NRC - Service Order submitted Manually, per LSR, Disconnect | SOMAN | \$3.84 | NA | TBD |
| | NRC - Incremental Charge - Manual Service Order - 1st | SOMAN | NA | TBD | TBD |
| | NRC - Incremental Charge - Manual Service Order - Add'l | SOMAN | NA | TBD | TBD |
| | NRC - Incremental Charge - Manual Service Order - Disconnect | SOMAN | NA | TBD | TBD |
| | | | | | |
| | 4-Wire 9.6 KBPS Digital Unbundled Sub-Loop Feeder, per month | USBFM | NA | NA | NA |
| | Zone 1, per month | USBFM | \$24.89 | TBD | TBD |
| | Zone 2, per month | USBFM | \$28.83 | TBD | TBD |
| | Zone 3, per month | USBFM | \$29.16 | TBD | TBD |
| | Zone 4, per month | USBFM | NA | NA | NA |
| | NRC - 1st | USBFM | \$211.32 | TBD | TBD |
| | NRC - Add'l | USBFM | \$128.81 | TBD | TBD |
| | NRC - Disconnect Charge - 1st | USBFM | \$127.64 | TBD | TBD |
| | NRC - Disconnect Charge - Add'l | USBFM | \$32.91 | TBD | TBD |
| | NRC - Service Order submitted Electronically, per LSR | SOMEK | \$2.75 | \$3.60 | TBD |
| | NRC - Service Order submitted Electronically, per LSR - Disconnect | SOMEK | \$0.42 | NA | TBD |
| | NRC - Service Order submitted Manually, per LSR | SOMAN | \$21.56 | NA | TBD |
| | NRC - Service Order submitted Manually, per LSR, Disconnect | SOMAN | \$3.84 | NA | TBD |
| | NRC - Incremental Charge - Manual Service Order - 1st | SOMAN | NA | TBD | TBD |
| | NRC - Incremental Charge - Manual Service Order - Add'l | SOMAN | NA | TBD | TBD |
| | NRC - Incremental Charge - Manual Service Order - Disconnect | SOMAN | NA | TBD | TBD |
| | | | | | |
| | 4-Wire 19.2 KBPS Digital Unbundled Sub-Loop Feeder, per month | USBFN | NA | NA | NA |
| | Zone 1, per month | USBFN | \$24.89 | TBD | TBD |
| | Zone 2, per month | USBFN | \$28.83 | TBD | TBD |
| | Zone 3, per month | USBFN | \$29.16 | TBD | TBD |
| | Zone 4, per month | USBFN | NA | NA | NA |
| | NRC - 1st | USBFN | \$211.32 | TBD | TBD |

BELLSOUTH/Actual RATES
 NETWORK ELEMENTS
 AND OTHER SERVICES

| | | | | | |
|--|--|-------|----------|-----|-----|
| | NRC - Add'l | USBFN | \$128.81 | TBD | TBD |
| | NRC - Disconnect Charge - 1st | USBFN | \$127.64 | TBD | TBD |
| | NRC - Disconnect Charge - Add'l | USBFN | \$32.91 | TBD | TBD |
| | NRC - Service Order submitted Electronically, per LSR | SOMEK | \$2.75 | NA | TBD |
| | NRC - Service Order submitted Electronically, per LSR - Disconnect | SOMEK | \$0.42 | NA | TBD |
| | NRC - Service Order submitted Manually, per LSR | SOMAN | \$21.56 | NA | TBD |
| | NRC - Service Order submitted Manually, per LSR, Disconnect | SOMAN | \$3.84 | NA | TBD |
| | NRC - Incremental Charge - Manual Service Order - 1st | SOMAN | NA | TBD | TBD |
| | NRC - Incremental Charge - Manual Service Order - Add'l | SOMAN | NA | TBD | TBD |
| | NRC - Incremental Charge - Manual Service Order - Disconnect | SOMAN | NA | TBD | TBD |
| | | | | | |
| | 4-Wire 68 KBPS Digital Unbundled Sub-Loop Feeder, per month | USBFO | NA | NA | NA |
| | Zone 1, per month | USBFO | \$24.89 | TBD | TBD |
| | Zone 2, per month | USBFO | \$28.83 | TBD | TBD |
| | Zone 3, per month | USBFO | \$29.16 | TBD | TBD |
| | Zone 4, per month | USBFO | NA | NA | NA |
| | NRC - 1st | USBFO | \$211.32 | TBD | TBD |
| | NRC - Add'l | USBFO | \$128.81 | TBD | TBD |
| | NRC - Disconnect Charge - 1st | USBFO | \$127.64 | TBD | TBD |
| | NRC - Disconnect Charge - Add'l | USBFO | \$32.91 | TBD | TBD |
| | NRC - Service Order submitted Electronically, per LSR | SOMEK | \$2.75 | NA | TBD |
| | NRC - Service Order submitted Electronically, per LSR - Disconnect | SOMEK | \$0.42 | NA | TBD |
| | NRC - Service Order submitted Manually, per LSR | SOMAN | \$21.56 | NA | TBD |
| | NRC - Service Order submitted Manually, per LSR, Disconnect | SOMAN | \$3.84 | NA | TBD |
| | NRC - Incremental Charge - Manual Service Order - 1st | SOMAN | NA | TBD | TBD |
| | NRC - Incremental Charge - Manual Service Order - Add'l | SOMAN | NA | TBD | TBD |
| | NRC - Incremental Charge - Manual Service Order - Disconnect | SOMAN | NA | TBD | TBD |
| | | | | | |
| | 4-Wire 64 KBPS Digital Unbundled Sub-Loop Feeder, per month | USBFP | NA | NA | NA |
| | Zone 1, per month | USBFP | \$24.89 | TBD | TBD |
| | Zone 2, per month | USBFP | \$28.83 | TBD | TBD |
| | Zone 3, per month | USBFP | \$29.16 | TBD | TBD |
| | Zone 4, per month | USBFP | NA | NA | NA |
| | NRC - 1st | USBFP | \$211.32 | TBD | TBD |
| | NRC - Add'l | USBFP | \$128.81 | TBD | TBD |
| | NRC - Disconnect Charge - 1st | USBFP | \$127.64 | TBD | TBD |
| | NRC - Disconnect Charge - Add'l | USBFP | \$32.91 | TBD | TBD |
| | NRC - Service Order submitted Electronically, per LSR | SOMEK | \$2.75 | NA | TBD |
| | NRC - Service Order submitted Electronically, per LSR - Disconnect | SOMEK | \$0.42 | NA | TBD |
| | NRC - Service Order submitted Manually, per LSR | SOMAN | \$21.56 | NA | TBD |
| | NRC - Service Order submitted Manually, per LSR, Disconnect | SOMAN | \$3.84 | NA | TBD |
| | NRC - Incremental Charge - Manual Service Order - 1st | SOMAN | NA | TBD | TBD |
| | NRC - Incremental Charge - Manual Service Order - Add'l | SOMAN | NA | TBD | TBD |
| | NRC - Incremental Charge - Manual Service Order - Disconnect | SOMAN | NA | TBD | TBD |
| | | | | | |
| | Unbundled Sub-Loop Modification | | | | |
| | NRC - Load Coil/Equipment Removal per 2 Wire pair - 1st | ULM2X | \$357.81 | TBD | TBD |
| | NRC - Load Coil/Equipment Removal per 2 Wire pair - Add'l | ULM2X | \$8.15 | TBD | TBD |
| | NRC - Load Coil/Equipment Removal per 4 Wire pair - 1st | ULM4X | \$357.81 | TBD | TBD |
| | NRC - Load Coil/Equipment Removal per 4 Wire pair - Add'l | ULM4X | \$8.15 | TBD | TBD |
| | NRC - Bridge Tap Removal per pair unloaded - 1st | ULMBT | \$562.71 | TBD | TBD |
| | NRC - Bridge Tap Removal per pair unloaded - Add'l | ULMBT | \$10.19 | TBD | TBD |
| | | | | | |
| | Loop Make Up | | | | |

BELLSOUTH/Actual RATES
 NETWORK ELEMENTS
 AND OTHER SERVICES

| | | | | | |
|--|---|--------|----------|----------|----------|
| | NRC - Loop Makeup - Preordering Without Reservation, per working facility queried (Manual) ** | UMKLW | \$134.00 | \$134.00 | \$100.00 |
| | Loop Makeup - Preordering Without Reservation, per spare facility queried (Manual) Maximum number of spare facilities per manual LMUSI is 3. ** | UMKLW | \$134.00 | \$134.00 | \$100.00 |
| | NRC-Loop Makeup - Preordering With Reservation, per spare facility queried (Manual) Max number of spare facilities per manual LMUSI is 3. ** | UMKLP | \$140.00 | \$140.00 | \$100.00 |
| | NRC - Loop Makeup - Preordering Without Reservation, per working facility queried (Mechanized) ** | | \$1.08 | \$1.08 | \$0.6888 |
| | Loop Makeup - Preordering Without Reservation, per spare facility queried (Mechanized) Max number of spare facilities per mechanized LMUSI is 10.** | | \$1.08 | \$1.08 | \$0.6888 |
| | Loop Makeup - Preordering With Reservation, per spare facility queried (Mechanized) Max number of spare facilities per mechanized LMUSI is 10.** | | \$1.08 | \$1.08 | \$0.6888 |
| | Unbundled Network Terminating Wire, per pair, per month | UENPP | \$0.46 | \$1.37 | TBD |
| | NRC - UNTW Pair, per pair | UENPP | \$65.35 | \$2.48 | TBD |
| | NRC - Disconnect Charge, per pair | UENPP | NA | \$1.74 | TBD |
| | NRC - Service Order submitted Electronically, per LSR | SOME C | \$2.75 | \$3.50 | TBD |
| | NRC - Service Order submitted Electronically, per LSR - Disconnect | SOME C | \$0.42 | NA | TBD |
| | NRC - Service Order submitted Manually, per LSR | SOMAN | \$21.56 | NA | TBD |
| | NRC - Service Order submitted Manually, per LSR, Disconnect | SOMAN | \$3.84 | NA | TBD |
| | Sub-Loop Concentration - Channelization Sys (Outside CO) | | | | |
| | NRC - Service Order submitted Electronically, per LSR | SOME C | \$2.75 | \$3.50 | \$3.50 |
| | NRC - Service Order submitted Electronically, per LSR - Disconnect | SOME C | \$0.42 | NA | NA |
| | NRC - Service Order submitted Manually, per LSR | SOMAN | \$21.56 | NA | \$19.99 |
| | NRC - Service Order submitted Manually, per LSR, Disconnect | SOMAN | \$3.84 | NA | NA |
| | NRC - Incremental Charge - Manual Service Order - 1st | SOMAN | NA | \$18.94 | NA |
| | NRC - Incremental Charge - Manual Service Order - Add'l | SOMAN | NA | \$8.42 | NA |
| | TR006 - System A (86 channel capacity - channels 1-86), per month | UCT8A | \$477.76 | \$724.79 | \$683.78 |
| | NRC - 1st | UCT8A | \$408.22 | \$632.36 | \$634.31 |
| | NRC - Add'l | UCT8A | \$222.37 | \$310.82 | \$311.78 |
| | NRC-Disconnect, 1st | UCT8A | \$236.02 | NA | NA |
| | NRC-Disconnect, Add'l | UCT8A | \$74.84 | NA | NA |
| | TR006 - System B (86 channel capacity - channels 87-182), per month | UCT8B | \$85.12 | \$92.91 | \$102.12 |
| | NRC - 1st | UCT8B | \$408.22 | \$632.36 | \$634.31 |
| | NRC - Add'l | UCT8B | \$222.37 | \$310.82 | \$311.78 |
| | NRC-Disconnect, 1st | UCT8B | \$236.02 | NA | NA |
| | NRC-Disconnect, Add'l | UCT8B | \$74.84 | NA | NA |
| | TR303 - System A (86 channel capacity - channels 1-86), per month | UCT3A | \$512.86 | \$764.42 | \$728.87 |
| | NRC - 1st | UCT3A | \$408.22 | \$632.36 | \$634.31 |
| | NRC - Add'l | UCT3A | \$222.37 | \$310.82 | \$311.78 |
| | NRC-Disconnect, 1st | UCT3A | \$236.02 | NA | NA |
| | NRC-Disconnect, Add'l | UCT3A | \$74.84 | NA | NA |
| | TR303 - System B (86 channel capacity - channels 87-182), per month | UCT3B | \$120.21 | \$132.54 | \$145.21 |
| | NRC - 1st | UCT3B | \$408.22 | \$632.36 | \$634.31 |
| | NRC - Add'l | UCT3B | \$222.37 | \$310.82 | \$311.78 |
| | NRC-Disconnect, 1st | UCT3B | \$236.02 | NA | NA |
| | NRC-Disconnect, Add'l | UCT3B | \$74.84 | NA | NA |
| | DS1 Feeder Interface, per month | UCTFS | NA | \$72.12 | \$76.73 |
| | Zone 1, per month | UCTFS | \$56.65 | TBD | TBD |
| | Zone 2, per month | UCTFS | \$65.86 | TBD | TBD |
| | Zone 3, per month | UCTFS | \$107.08 | TBD | TBD |
| | Zone 4, per month | UCTFS | NA | NA | NA |
| | NRC 1st | UCTFS | \$211.55 | \$425.74 | \$418.37 |

BELLSOUTH/Actel RATES
 NETWORK ELEMENTS
 AND OTHER SERVICES

| | | | | | |
|--|--|-------|----------|------------|------------|
| | NRC Add'l | UCTFS | \$129.04 | \$198.06 | \$198.67 |
| | NRC-Disconnect, 1st | UCTFS | \$127.78 | NA | NA |
| | NRC-Disconnect, Add'l | UCTFS | \$33.06 | NA | NA |
| | Channel Interface-2 Wire Voice-Loop Start or Ground Start, per mo | ULCC2 | \$2.12 | \$2.38 | \$2.61 |
| | NRC 1st | ULCC2 | \$21.07 | \$41.82 | \$41.95 |
| | NRC Add'l | ULCC2 | \$20.96 | \$41.58 | \$41.71 |
| | NRC-Disconnect, 1st | ULCC2 | \$9.99 | NA | NA |
| | NRC-Disconnect, Add'l | ULCC2 | \$9.93 | NA | NA |
| | Channel Interface - 2 Wire ISDN, per month | ULCC1 | \$8.48 | \$9.53 | \$10.43 |
| | NRC 1st | ULCC1 | \$21.07 | \$41.82 | \$41.95 |
| | NRC Add'l | ULCC1 | \$20.96 | \$41.58 | \$41.71 |
| | NRC-Disconnect, 1st | ULCC1 | \$9.99 | NA | NA |
| | NRC-Disconnect, Add'l | ULCC1 | \$9.93 | NA | NA |
| | Channel Interface - 2 Wire Voice - Reverse Battery, per month | ULCCR | \$12.61 | \$14.17 | \$15.51 |
| | NRC 1st | ULCCR | \$21.07 | \$41.82 | \$41.95 |
| | NRC Add'l | ULCCR | \$20.96 | \$41.58 | \$41.71 |
| | NRC-Disconnect, 1st | ULCCR | \$9.99 | NA | NA |
| | NRC-Disconnect, Add'l | ULCCR | \$9.93 | NA | NA |
| | Channel Interface - 4 Wire Voice (Specials Card), per month | ULCC4 | \$7.52 | \$8.45 | \$9.26 |
| | NRC 1st | ULCC4 | \$21.07 | \$41.82 | \$41.95 |
| | NRC Add'l | ULCC4 | \$20.96 | \$41.58 | \$41.71 |
| | NRC-Disconnect, 1st | ULCC4 | \$9.99 | NA | NA |
| | NRC-Disconnect, Add'l | ULCC4 | \$9.93 | NA | NA |
| | Test Circuit, per month | UCTTC | \$36.76 | \$41.30 | \$45.22 |
| | NRC 1st | UCTTC | \$21.07 | \$41.82 | \$41.95 |
| | NRC Add'l | UCTTC | \$20.96 | \$41.58 | \$41.71 |
| | NRC-Disconnect, 1st | UCTTC | \$9.99 | NA | NA |
| | NRC-Disconnect, Add'l | UCTTC | \$9.93 | NA | NA |
| | Channel Interface - Digital 56Kbps, per month | ULCC5 | \$11.14 | \$12.51 | \$13.71 |
| | NRC 1st | ULCC5 | \$21.07 | \$41.82 | \$41.95 |
| | NRC Add'l | ULCC5 | \$20.96 | \$41.58 | \$41.71 |
| | NRC-Disconnect, 1st | ULCC5 | \$9.99 | NA | NA |
| | NRC-Disconnect, Add'l | ULCC5 | \$9.93 | NA | NA |
| | Channel Interface - Digital 64Kbps, per month | ULCC8 | \$11.14 | \$12.51 | \$13.71 |
| | NRC 1st | ULCC8 | \$21.07 | \$41.82 | \$41.95 |
| | NRC Add'l | ULCC8 | \$20.96 | \$41.58 | \$41.71 |
| | NRC-Disconnect, 1st | ULCC8 | \$9.99 | NA | NA |
| | NRC-Disconnect, Add'l | ULCC8 | \$9.93 | NA | NA |
| | Loop Concentration System (Inside C.O.) | | | | |
| | NRC - Service Order submitted Electronically, per LSR | SOMEK | \$2.75 | \$3.50 | \$3.50 |
| | NRC - Service Order submitted Electronically, per LSR - Disconnect | SOMEK | \$0.42 | NA | NA |
| | NRC - Service Order submitted Manually, per LSR | SOMAN | \$21.58 | NA | \$19.99 |
| | NRC - Service Order submitted Manually, per LSR, Disconnect | SOMAN | \$3.84 | NA | NA |
| | NRC - Incremental Charge - Manual Service Order - 1st | SOMAN | NA | \$18.94 | TBD |
| | NRC - Incremental Charge - Manual Service Order - Add'l | SOMAN | NA | \$8.42 | TBD |
| | TR008 -System A (96 channel capacity - channels 1-96), per month | UCT8A | \$470.73 | \$316.63 | \$380.06 |
| | NRC - 1st | UCT8A | \$651.05 | \$1,111.95 | \$1,114.05 |
| | NRC - Add'l | UCT8A | NA | NA | NA |
| | NRC-Disconnect, 1st | UCT8A | NA | NA | NA |
| | NRC-Disconnect, Add'l | UCT8A | NA | NA | NA |
| | TR008 -System B (96 channel capacity - channels 97-192), per month | UCT8B | \$55.96 | \$65.27 | \$68.71 |
| | NRC - 1st | UCT8B | \$271.27 | \$463.37 | \$464.21 |
| | NRC - Add'l | UCT8B | NA | NA | NA |
| | NRC-Disconnect, 1st | UCT8B | NA | NA | NA |
| | NRC-Disconnect, Add'l | UCT8B | NA | NA | NA |

BELLSOUTH/Actel RATES
NETWORK ELEMENTS
AND OTHER SERVICES

| | | | | | |
|--|---|-------|----------|------------|------------|
| | TR303 - System A (96 channel capacity - channels 1-96), per month | UCT3A | \$510.37 | \$362.87 | \$428.73 |
| | NRC - 1st | UCT3A | \$651.05 | \$1,111.95 | \$1,114.06 |
| | NRC - Add'l | UCT3A | NA | NA | NA |
| | NRC-Disconnect, 1st | UCT3A | NA | NA | NA |
| | NRC-Disconnect, Add'l | UCT3A | NA | NA | NA |
| | TR303 - System B (96 channel capacity - channels 97-192), per month | UCT3B | \$94.30 | \$110.02 | \$115.79 |
| | NRC - 1st | UCT3B | \$271.27 | \$463.37 | \$484.21 |
| | NRC - Add'l | UCT3B | NA | NA | NA |
| | NRC-Disconnect, 1st | UCT3B | NA | NA | NA |
| | NRC-Disconnect, Add'l | UCT3B | NA | NA | NA |
| | DS1 Interface, per month | UCTCO | \$5.28 | \$6.15 | \$6.49 |
| | NRC 1st | UCTCO | \$126.81 | \$366.72 | \$387.41 |
| | NRC Add'l | UCTCO | \$92.17 | \$130.63 | \$131.92 |
| | NRC-Disconnect, 1st | UCTCO | \$31.11 | NA | NA |
| | NRC-Disconnect, Add'l | UCTCO | \$8.71 | NA | NA |
| | Channel Interface-2 Wire Voice-Loop Start or Ground Start, per month | ULCC2 | \$2.10 | \$2.44 | \$2.58 |
| | NRC 1st | ULCC2 | \$21.07 | \$35.68 | \$35.74 |
| | NRC Add'l | ULCC2 | \$20.96 | \$35.48 | \$35.54 |
| | NRC-Disconnect, 1st | ULCC2 | \$9.99 | NA | NA |
| | NRC-Disconnect, Add'l | ULCC2 | \$9.93 | NA | NA |
| | Channel Interface - 2 Wire ISDN, per month | ULCC1 | \$8.38 | \$9.76 | \$10.30 |
| | NRC 1st | ULCC1 | \$21.07 | \$35.68 | \$35.74 |
| | NRC Add'l | ULCC1 | \$20.96 | \$35.48 | \$35.54 |
| | NRC-Disconnect, 1st | ULCC1 | \$9.99 | NA | NA |
| | NRC-Disconnect, Add'l | ULCC1 | \$9.93 | NA | NA |
| | Channel Interface - 2 Wire Voice - Reverse Battery, per month | ULCCR | \$12.46 | \$14.51 | \$15.32 |
| | NRC 1st | ULCCR | \$21.07 | \$35.68 | \$35.74 |
| | NRC Add'l | ULCCR | \$20.96 | \$35.48 | \$35.54 |
| | NRC-Disconnect, 1st | ULCCR | \$9.99 | NA | NA |
| | NRC-Disconnect, Add'l | ULCCR | \$9.93 | NA | NA |
| | Channel Interface - 4 Wire Voice, per month | ULCC4 | \$7.43 | \$8.65 | \$9.13 |
| | NRC 1st | ULCC4 | \$21.07 | \$35.68 | \$35.74 |
| | NRC Add'l | ULCC4 | \$20.96 | \$35.48 | \$35.54 |
| | NRC-Disconnect, 1st | ULCC4 | \$9.99 | NA | NA |
| | NRC-Disconnect, Add'l | ULCC4 | \$9.93 | NA | NA |
| | Test Circuit, per month | UCTTC | 36.31 | \$42.30 | \$44.65 |
| | NRC 1st | UCTTC | \$21.07 | \$35.68 | \$35.74 |
| | NRC Add'l | UCTTC | \$20.96 | \$35.48 | \$35.54 |
| | NRC-Disconnect, 1st | UCTTC | \$9.99 | NA | NA |
| | NRC-Disconnect, Add'l | UCTTC | \$9.93 | NA | NA |
| | Channel Interface - Digital 56Kbps, per month | ULCC5 | \$11.01 | TBD | TBD |
| | NRC 1st | ULCC5 | \$21.07 | TBD | TBD |
| | NRC Add'l | ULCC5 | \$20.96 | TBD | TBD |
| | NRC-Disconnect, 1st | ULCC5 | \$9.99 | NA | TBD |
| | NRC-Disconnect, Add'l | ULCC5 | \$9.93 | NA | TBD |
| | Channel Interface - Digital 64Kbps, per month | ULCC6 | \$11.01 | TBD | TBD |
| | NRC 1st | ULCC6 | \$21.07 | TBD | TBD |
| | NRC Add'l | ULCC6 | \$20.96 | TBD | TBD |
| | NRC-Disconnect, 1st | ULCC6 | \$9.99 | NA | TBD |
| | NRC-Disconnect, Add'l | ULCC6 | \$9.93 | NA | TBD |
| | LINE SHARING | | | | |
| | 2-Wire analog VG (SL1) for Line Sharing | | | | |
| | RC - per month (Note 3) ** | | TBD | TBD | \$12.16 |
| | NRC - 1st (Note 3) ** | | TBD | TBD | \$31.99 |

BELLSOUTH/Amcni RATES
 NETWORK ELEMENTS
 AND OTHER SERVICES

| | | | | | |
|---|---|-------|----------|----------|----------|
| | NRC - Addl (Note 3) ** | | TBD | TBD | \$20.02 |
| | System Splitter - 96 Line Capacity | | | | |
| | RC - Per month ** | ULSDA | \$100.00 | \$100.00 | \$100.00 |
| | NRC - 1st ** | ULSDA | \$150.00 | \$150.00 | \$150.00 |
| | NRC - Addl ** | ULSDA | \$0.00 | \$0.00 | \$0.00 |
| | NRC - Disconnect 1st ** | ULSDA | \$150.00 | \$150.00 | \$150.00 |
| | NRC - Disconnect Addl ** | ULSDA | \$0.00 | \$0.00 | \$0.00 |
| | System Splitter - 24 Line Capacity | | | | |
| | RC - Per month ** | ULSDB | \$25.00 | \$25.00 | \$25.00 |
| | NRC - 1st ** | ULSDB | \$150.00 | \$150.00 | \$150.00 |
| | NRC - Addl ** | ULSDB | \$0.00 | \$0.00 | \$0.00 |
| | NRC - Disconnect 1st ** | ULSDB | \$150.00 | \$150.00 | \$150.00 |
| | NRC - Disconnect Addl ** | ULSDB | \$0.00 | \$0.00 | \$0.00 |
| | Loop Capacity, Line Activation Per Occurrence | | | | |
| | RC - Per Month ** | ULSDC | \$6.00 | \$6.00 | \$3.48 |
| | NRC - 1st ** | ULSDC | \$40.00 | \$40.00 | \$40.00 |
| | NRC - Addl ** | ULSDC | \$22.00 | \$22.00 | \$21.39 |
| | NRC - Service Order submitted Electronically, per LSR | SOMEc | \$2.75 | \$3.50 | \$3.50 |
| | NRC - Service Order submitted Electronically, per LSR - Disconnect | SOMEc | \$0.42 | NA | TBD |
| | NRC - Service Order submitted Manually, per LSR | SOMAN | \$21.56 | NA | \$19.99 |
| | NRC - Service Order submitted Manually, per LSR, Disconnect | SOMAN | \$3.84 | NA | TBD |
| | NRC - Incremental Charge - Manual Service Order - 1st | SOMAN | NA | \$18.94 | NA |
| | NRC - Incremental Charge - Manual Service Order - Addl | SOMAN | NA | \$8.42 | NA |
| | NRC - Incremental Charge - Manual Service Order - Disconnect | SOMAN | NA | NA | NA |
| | Subsequent Activity - Per Occurrence | | | | |
| | NRC - 1st ** | ULSDS | \$30.00 | \$30.00 | \$30.00 |
| | NRC - Addl ** | ULSDS | \$15.00 | \$15.00 | \$15.00 |
| | * Interim Rates subject to true-up | | | | |
| | ** TN rates are interim and subject to true-up. | | | | |
| | NOTES: | | | | |
| 1 | In states where a specific NRC for customer transfer, feature additions and changes is not stated, the applicable NRC from the appropriate tariff applies. | | | | |
| 2 | Geographically Deaveraged UNE Zones and applicable rates have been established for certain services, as shown in this Agreement. Where Geographically Deaveraged UNE Zones and applicable rates are established, Statewide rates are obsolete. Further, BellSouth is in the process of enhancing its billing systems in order to accommodate this Geographically Deaveraged UNE Zone Rate Structure. Until these enhancements are accomplished, estimated to be mid 2001, the UNE Zone 1 rate will be billed for all services residing in Zones 1, 2, 3 or 4, i.e., Rates for services residing in UNE Zones 2, 3 and UNE Zone 4, where applicable, will not be billed. Once billing enhancements are complete, all applicable UNE Zone rates reflected in this Agreement will be billed. Reference Internet Website http://www.interconnection.bellsouth.com/become_clec/docs/interconnection/deavuzns.pdf to view Geographically Deaveraged UNE Zone Designations by Central Office. | | | | |

BELLSOUTH/Actel RATES
 NETWORK ELEMENTS
 AND OTHER SERVICES

| | | | | | | | |
|--|---|--|--|--|--|--|--|
| | 3 | The recurring interim and nonrecurring interim rates in TN for 2-Wire analog VG (SL1) for Line Sharing is for a stand-alone loop purchased by CLEC-1 to provide both analog voice service and xDSL services or in the event CLEC-1 wishes to continue providing xDSL services to an end-user who terminates its BellSouth-provided voice service. These rates apply when CLEC-1 purchases the splitter from BellSouth. | | | | | |
| | | * Subject to change pending cost study filings and/or state ordered rates | | | | | |

BELLSOUTH/ACHM RATES NETWORK ELEMENTS
AND OTHER SERVICES
PORTS

Attachment 2
Exhibit C
Rates - Page 24
Exhibit A

| DESCRIPTION | USOC | FL | GA | TN |
|---|-------|--------|---------------|-----------------|
| 2-Wire Analog Line Port (Res., Bus.), per month | | | | |
| 2-Wire Voice Grade Line Port (Residence), per month | | | | |
| 2-wire voice unbundled port - residence | UEPRL | \$1.62 | \$1.85 - Note | \$4.73 - Note 1 |
| 2-wire voice unbundled port with caller ID - residence | UEPRC | \$1.62 | \$1.85 | \$4.73 |
| 2-wire voice unbundled port outgoing only - residence | UEPRO | \$1.62 | \$1.85 | \$4.73 |
| 2-wire voice grade unbundled Alabama extended local dialing parity port with caller ID | UEPAR | NA | NA | NA |
| 2-wire voice grade unbundled Kentucky extended local dialing parity port with caller ID | UEPRM | NA | NA | NA |
| 2-wire voice grade unbundled Louisiana extended local dialing parity port with caller ID | UEPAS | NA | NA | NA |
| 2-wire voice grade unbundled Mississippi extended local dialing parity port with caller ID | UEPAT | NA | NA | NA |
| 2-wire voice grade unbundled South Carolina extended local dialing parity port with caller ID | UEPAU | NA | NA | NA |
| 2-wire voice grade unbundled Tennessee extended local dialing parity port with caller ID | UEPAQ | NA | NA | \$4.73 |
| 2-wire voice unbundled Florida area calling with caller ID - residence | UEPAF | \$1.62 | NA | NA |
| 2-wire voice unbundled Louisiana Area Plus with caller ID - residence (RUL) | UEPAG | NA | NA | NA |
| 2-wire voice unbundled Louisiana Area Plus with caller ID - residence (AC7) | UEPAH | NA | NA | NA |
| 2-wire voice unbundled South Carolina Area Calling port with Caller ID - residence (LW8) | UEPAJ | NA | NA | NA |
| 2-wire voice unbundled Tennessee Area Calling port with Caller ID - residence (F2R) | UEPAK | NA | NA | \$4.73 |
| 2-wire voice unbundled Tennessee Area Calling port with Caller ID - residence (TACER) | UEPAL | NA | NA | \$4.73 |
| 2-wire voice unbundled Tennessee Area Calling port with Caller ID - residence (TACSR) | UEPAM | NA | NA | \$4.73 |
| 2-wire voice unbundled Tennessee Area Calling port with Caller ID - residence (1MF2X) | UEPAN | NA | NA | \$4.73 |
| 2-wire voice unbundled Tennessee Area Calling port with Caller ID - residence (2MR) | UEPAO | NA | NA | \$4.73 |
| 2-wire voice unbundled res. low usage line port with Caller ID (LUM) | UEPAP | \$1.62 | \$1.85 | \$4.73 |
| LOCAL NUMBER PORTABILITY (REQUIRES ONE PER PORT) | LNPCX | | | |
| 2-Wire Voice Grade Line Port(Business), per month | | | | |
| 2-wire voice unbundled port without Caller ID | UEPBL | \$1.62 | \$1.85 | \$4.73 |
| 2-wire voice unbundled port with unbundled port with Caller+E484 ID | UEPBC | \$1.62 | \$1.85 | \$4.73 |
| 2-wire voice unbundled outgoing only port | UEPBO | \$1.62 | \$1.85 | \$4.73 |
| 2-wire voice grade unbundled Alabama extended local dialing parity port with caller ID | UEPAW | NA | NA | NA |
| 2-wire voice grade unbundled Kentucky extended local dialing parity port with caller ID | UEPBM | NA | NA | NA |
| 2-wire voice grade unbundled Louisiana extended local dialing parity port with caller ID | UEPAX | NA | NA | NA |
| 2-wire voice grade unbundled Mississippi extended local dialing parity port with caller ID | UEPAY | NA | NA | NA |
| 2-wire voice grade unbundled South Carolina extended local dialing parity port with caller ID | UEPAZ | NA | NA | NA |
| 2-wire voice grade unbundled Tennessee extended local dialing parity port with caller ID | UEPAV | NA | NA | \$4.73 |
| 2-wire voice unbundled incoming only port with Caller ID | UEPB1 | \$1.62 | \$1.85 | \$4.73 |

BELLSOUTH/Actel RATES NETWORK ELEMENTS
AND OTHER SERVICES
PORTS

Attachment 2
Exhibit C
Rates - Page 25
Exhibit A

| DESCRIPTION | USOC | FL | GA | TN |
|---|-------|--------|---------|--------|
| 2-wire voice unbundled LA Bus Area Calling Port with Caller ID (BUC) | UEPAA | NA | NA | NA |
| 2-wire voice unbundled SC Bus Area Calling Port with Caller ID (LMB) | UEPAB | NA | NA | NA |
| 2-wire voice unbundled TN Bus 2-Way Area Calling Port Economy Option (TACC1) | UEPAC | NA | NA | \$4.73 |
| 2-wire voice unbundled TN Bus 2-Way Area Calling Port Standard Option (TACC2) | UEPAD | NA | NA | \$4.73 |
| 2-wire voice unbundled TN Bus 2-WAY Collierville and Memphis Local Calling Port (B2F) | UEPAE | NA | NA | \$4.73 |
| LOCAL NUMBER PORTABILITY (REQUIRES ONE PER PORT) | LNPCX | | | |
| Non-Recurring Charges (NRC) - 1st (Residence) | | | | |
| 2-wire voice unbundled port - residence | UEPRL | \$4.76 | \$17.16 | \$9.93 |
| 2-wire voice unbundled port with caller ID - residence | UEPRC | \$4.76 | \$17.16 | \$9.93 |
| 2-wire voice unbundled port outgoing only - residence | UEPRO | \$4.76 | \$17.16 | \$9.93 |
| 2-wire voice grade unbundled Alabama extended local dialing parity port with caller ID | UEPAR | NA | NA | NA |
| 2-wire voice grade unbundled Kentucky extended local dialing parity port with caller ID | UEPRM | NA | NA | NA |
| 2-wire voice grade unbundled Louisiana extended local dialing parity port with caller ID | UEPAS | NA | NA | NA |
| 2-wire voice grade unbundled Mississippi extended local dialing parity port with caller ID | UEPAT | NA | NA | NA |
| 2-wire voice grade unbundled South Carolina extended local dialing parity port with caller ID | UEPAU | NA | NA | NA |
| 2-wire voice grade unbundled Tennessee extended local dialing parity port with caller ID | UEPAQ | NA | NA | \$9.93 |
| 2-wire voice unbundled Florida area calling with caller ID - residence | UEPAF | \$4.76 | NA | NA |
| 2-wire voice unbundled Louisiana Area Plus with caller ID - residence (RUL) | UEPAG | NA | NA | NA |
| 2-wire voice unbundled Louisiana Area Plus with caller ID - residence (AC7) | UEPAH | NA | NA | NA |
| 2-wire voice unbundled South Carolina Area Calling port with Caller ID - residence (LW8) | UEPAJ | NA | NA | NA |
| 2-wire voice unbundled Tennessee Area Calling port with Caller ID - residence (F2R) | UEPAK | NA | NA | NA |
| 2-wire voice unbundled Tennessee Area Calling port with Caller ID - residence (TACER) | UEPAL | NA | NA | \$9.93 |
| 2-wire voice unbundled Tennessee Area Calling port with Caller ID - residence (TACSR) | UEPAM | NA | NA | \$9.93 |
| 2-wire voice unbundled Tennessee Area Calling port with Caller ID - residence (1MF2X) | UEPAN | NA | NA | \$9.93 |
| 2-wire voice unbundled Tennessee Area Calling port with Caller ID - residence (2MR) | UEPAO | NA | NA | \$9.93 |
| 2-wire voice unbundled Res Low Usage Line Port with Caller+E563 ID (LUM) | UEPAP | NA | NA | \$9.93 |
| NRC - Add'l (Residence) | | | | |
| 2-wire voice unbundled port - residence | UEPRL | \$4.54 | \$17.16 | \$9.19 |
| 2-wire voice unbundled port with caller ID - residence | UEPRC | \$4.54 | \$17.16 | \$9.19 |
| 2-wire voice unbundled port outgoing only - residence | UEPRO | \$4.54 | \$17.16 | \$9.19 |
| 2-wire voice grade unbundled Alabama extended local dialing parity port with caller ID | UEPAR | NA | NA | NA |
| 2-wire voice grade unbundled Kentucky extended local dialing parity port with caller ID | UEPRM | NA | NA | NA |
| 2-wire voice grade unbundled Louisiana extended local dialing parity port with caller ID | UEPAS | NA | NA | NA |

BELLSOUTH/Actel RATES NETWORK ELEMENTS
AND OTHER SERVICES
PORTS

Attachment 2
Exhibit C
Rates - Page 26
Exhibit A

| DESCRIPTION | USOC | FL | GA | TN |
|---|---------|---------|---------|---------|
| 2-wire voice grade unbundled Mississippi extended local dialing parity port with caller ID | UEPAT | NA | NA | NA |
| 2-wire voice grade unbundled South Carolina extended local dialing parity port with caller ID | UEPAU | NA | NA | NA |
| 2-wire voice grade unbundled Tennessee extended local dialing parity port with caller ID | UEPAQ | NA | NA | \$9.19 |
| 2-wire voice unbundled Florida area calling with caller ID - residence | UEPAF | \$4.54 | NA | NA |
| 2-wire voice unbundled Louisiana Area Plus with caller ID - residence (RUL) | UEPAG | NA | NA | NA |
| 2-wire voice unbundled Louisiana Area Plus with caller ID - residence (AC7) | UEPAH | NA | NA | NA |
| 2-wire voice unbundled South Carolina Area Calling port with Caller ID - residence (LW8) | UEPAJ | NA | NA | NA |
| 2-wire voice unbundled Tennessee Area Calling port with Caller ID - residence (F2R) | UEPAK | NA | NA | \$9.19 |
| 2-wire voice unbundled Tennessee Area Calling port with Caller ID - residence (TACER) | UEPAL | NA | NA | \$9.19 |
| 2-wire voice unbundled Tennessee Area Calling port with Caller ID - residence (TACSR) | UEPAM | NA | NA | \$9.19 |
| 2-wire voice unbundled Tennessee Area Calling port with Caller ID - residence (1MF2X) | UEPAN | NA | NA | \$9.19 |
| 2-wire voice unbundled Tennessee Area Calling port with Caller ID - residence (2MR) | UEPAO | NA | NA | \$9.19 |
| 2-wire voice unbundled Res Low Usage Line Port with Caller ID (LUM) | UEPAP | \$4.54 | \$17.16 | \$9.19 |
| NRC - Subsequent Activity | USASC | \$10.00 | \$10.00 | \$10.00 |
| NRC - 1st (Business) | | | | |
| 2-wire Voice Unbundled Port without Caller ID | UEPBL | \$4.76 | \$17.16 | \$9.93 |
| 2-wire voice unbundled port with Caller ID | UEPBC | \$4.76 | \$17.16 | \$9.93 |
| 2-wire voice unbundled outgoing only port | UEPBO | \$4.76 | \$17.16 | \$9.93 |
| 2-wire voice grade unbundled Alabama extended local dialing parity port with caller ID | UEPAW | NA | NA | NA |
| 2-wire voice grade unbundled Kentucky extended local dialing parity port with caller ID | UEPBM | NA | NA | NA |
| 2-wire voice grade unbundled Louisiana extended local dialing parity port with caller ID | UEPAX | NA | NA | NA |
| 2-wire voice grade unbundled Mississippi extended local dialing parity port with caller ID | UEPAY | NA | NA | NA |
| 2-wire voice grade unbundled South Carolina extended local dialing parity port with caller ID | UEPAZ | NA | NA | NA |
| 2-wire voice grade unbundled Tennessee extended local dialing parity port with caller ID | UEPAV | NA | NA | \$9.93 |
| 2-wire voice unbundled Incoming only Port with Caller ID | UEPB1 | \$4.76 | \$17.16 | \$9.93 |
| 2-wire voice unbundled LA Bus Area Calling Port with Caller ID (BUC) | UEPAA | NA | NA | NA |
| 2-wire voice unbundled SC Bus Area Calling Port with Caller ID+E587 (LMB) | UEPAB | NA | NA | NA |
| 2-wire voice unbundled TN Bus 2-way Area Calling Port Economy Option (TACC1) | UEPAC | NA | NA | \$9.93 |
| 2-wire voice unbundled TN Bus 2-way Area Calling Port Standard Option (TACC2) | UEPAD | NA | NA | \$9.93 |
| 2-wire voice unbundled TN Bus 2-way Collierville and Memphis Local Calling Port (B2F) | UEPAE | NA | NA | \$9.93 |
| NRC - Add'l (Business) | | | | |
| 2-wire voice unbundled port without Caller ID | * UEPBL | \$4.54 | \$17.16 | \$9.19 |
| 2-wire voice unbundled port with Caller ID | UEPBC | \$4.54 | \$17.16 | \$9.19 |

BELLSOUTH/Actual RATES NETWORK ELEMENTS
AND OTHER SERVICES
PORTS

Attachment 2
Exhibit C
Rates - Page 27
Exhibit A

| DESCRIPTION | USOC | FL | GA | TN |
|---|-------|---------|---------|---------|
| 2-wire voice unbundled outgoing only port | UEPBO | \$4.54 | \$17.16 | \$9.19 |
| 2-wire voice grade unbundled Alabama extended local dialing parity port with caller ID | UEPAW | NA | NA | NA |
| 2-wire voice grade unbundled Kentucky extended local dialing parity port with caller ID | UEPBM | NA | NA | NA |
| 2-wire voice grade unbundled Louisiana extended local dialing parity port with caller ID | UEPAX | NA | NA | NA |
| 2-wire voice grade unbundled Mississippi extended local dialing parity port with caller ID | UEPAY | NA | NA | NA |
| 2-wire voice grade unbundled South Carolina extended local dialing parity port with caller ID | UEPAZ | NA | NA | NA |
| 2-wire voice grade unbundled Tennessee extended local dialing parity port with caller ID | UEPAV | NA | NA | \$9.19 |
| 2-wire voice unbundled incoming only port with Caller ID | UEPB1 | \$4.54 | \$17.16 | \$9.19 |
| 2-wire voice unbundled LA Bus Area Calling Port with Caller ID (BUC) | UEPAA | NA | NA | NA |
| 2-wire voice unbundled SC Bus Area Calling Port with Caller ID (LMB) | UEPAB | NA | NA | NA |
| 2-wire voice unbundled TN Bus 2-way Area Calling Port Economy Option (TACC1) | UEPAC | NA | NA | \$9.19 |
| 2-wire voice unbundled TN Bus 2-way Area Calling Port Standard Option (TACC2) | UEPAD | NA | NA | \$9.19 |
| 2-wire voice unbundled TN Bus 2-way Collierville and Memphis Local Calling Port (B2F) | UEPAE | NA | NA | \$9.19 |
| NRC - Subsequent Activity | USASC | \$10.00 | \$10.00 | \$10.00 |
| NRC - Disconnect Charge - 1st | | | | |
| 2-wire voice unbundled port - residence | UEPRL | \$2.76 | NA | \$3.66 |
| 2-wire voice unbundled port with caller ID - residence | UEPRC | \$2.76 | NA | \$3.66 |
| 2-wire voice unbundled port outgoing only - residence | UEPRO | \$2.76 | NA | \$3.66 |
| 2-wire voice grade unbundled Alabama extended local dialing parity port with caller ID | UEPAR | NA | NA | NA |
| 2-wire voice grade unbundled Kentucky extended local dialing parity port with caller ID | UEPRM | NA | NA | NA |
| 2-wire voice grade unbundled Louisiana extended local dialing parity port with caller ID | UEPAS | NA | NA | NA |
| 2-wire voice grade unbundled Mississippi extended local dialing parity port with caller ID | UEPAT | NA | NA | NA |
| 2-wire voice grade unbundled South Carolina extended local dialing parity port with caller ID | UEPAU | NA | NA | NA |
| 2-wire voice grade unbundled Tennessee extended local dialing parity port with caller ID | UEPAQ | NA | NA | \$3.66 |
| 2-wire voice unbundled Florida area calling with caller ID - residence | UEPAF | \$2.76 | NA | NA |
| 2-wire voice unbundled Louisiana Area Plus with caller ID - residence (RUL) | UEPAG | NA | NA | NA |
| 2-wire voice unbundled Louisiana Area Plus with caller ID - residence (AC7) | UEPAH | NA | NA | NA |
| 2-wire voice unbundled South Carolina Area Calling port with Caller ID - residence (LW8) | UEPAJ | NA | NA | NA |
| 2-wire voice unbundled Tennessee Area Calling port with Caller ID - residence (F2R) | UEPAK | NA | NA | \$3.66 |
| 2-wire voice unbundled Tennessee Area Calling port with Caller ID - residence (TACER) | UEPAL | NA | NA | \$3.66 |
| 2-wire voice unbundled Tennessee Area Calling port with Caller ID - residence (TACSR) | UEPAM | NA | NA | \$3.66 |
| 2-wire voice unbundled Tennessee Area Calling port with Caller ID - residence (1MF2X) | UEPAN | NA | NA | \$3.66 |

BELLSOUTH RATES NETWORK ELEMENTS
AND OTHER SERVICES
PORTS

Attachment 2
Exhibit C
Rates - Page 28
Exhibit A

| DESCRIPTION | USOC | FL | GA | TN |
|---|-------|--------|----|--------|
| 2-wire voice unbundled Tennessee Area Calling port with Caller ID - residence (2MR) | UEPAO | NA | NA | \$3.66 |
| 2-wire voice unbundled Res Low Usage Line Port with Caller ID (LUM) | UEPAP | \$2.76 | NA | \$3.66 |
| 2-wire voice unbundled port without Caller ID | UEPBL | \$2.76 | NA | \$3.66 |
| 2-wire voice unbundled port with Caller ID | UEPBC | \$2.76 | NA | \$3.66 |
| 2-wire voice unbundled outgoing only Port | UEPBO | \$2.76 | NA | \$3.66 |
| 2-wire voice grade unbundled Alabama extended local dialing parity port with caller ID | UEPAW | NA | NA | NA |
| 2-wire voice grade unbundled Kentucky extended local dialing parity port with caller ID | UEPBM | NA | NA | NA |
| 2-wire voice grade unbundled Louisiana extended local dialing parity port with caller ID | UEPAX | NA | NA | NA |
| 2-wire voice grade unbundled Mississippi extended local dialing parity port with caller ID | UEPAY | NA | NA | NA |
| 2-wire voice grade unbundled South Carolina extended local dialing parity port with caller ID | UEPAZ | NA | NA | NA |
| 2-wire voice grade unbundled Tennessee extended local dialing parity port with caller ID | UEPAV | NA | NA | \$3.66 |
| 2-wire voice unbundled Incoming only Port with Caller ID | UEPB1 | \$2.76 | NA | \$3.66 |
| 2-wire voice unbundled LA Bus Area Calling Port with Caller ID (BUC) | UEPAA | NA | NA | NA |
| 2-wire voice unbundled SC Bus Area Calling Port with Caller ID (LMB) | UEPAB | NA | NA | NA |
| 2-wire voice unbundled TN Bus 2-way Area Calling Port Economy Option (TACC1) | UEPAC | NA | NA | \$3.66 |
| 2-wire voice unbundled TN Bus 2-way Area Calling Port Standard Option (TACC2) | UEPAD | NA | NA | \$3.66 |
| 2-wire voice unbundled TN Bus 2-Way Collierville and Memphis Local Calling Port (B2F) | UEPAE | NA | NA | \$3.66 |
| NRC - Disconnect Charge - Add'l | | | | |
| 2-wire voice unbundled port - residence | UEPRL | \$2.59 | NA | \$2.92 |
| 2-wire voice unbundled port with caller ID - residence | UEPRC | \$2.59 | NA | \$2.92 |
| 2-wire voice unbundled port outgoing only - residence | UEPRO | \$2.59 | NA | \$2.92 |
| 2-wire voice grade unbundled Alabama extended local dialing parity port with caller ID | UEPAR | NA | NA | NA |
| 2-wire voice grade unbundled Kentucky extended local dialing parity port with caller ID | UEPRM | NA | NA | NA |
| 2-wire voice grade unbundled Louisiana extended local dialing parity port with caller ID | UEPAS | NA | NA | NA |
| 2-wire voice grade unbundled Mississippi extended local dialing parity port with caller ID | UEPAT | NA | NA | NA |
| 2-wire voice grade unbundled South Carolina extended local dialing parity port with caller ID | UEPAU | NA | NA | NA |
| 2-wire voice grade unbundled Tennessee extended local dialing parity port with caller ID | UEPAQ | NA | NA | \$2.92 |
| 2-wire voice unbundled Florida area calling with caller ID - residence | UEPAF | \$2.59 | NA | NA |
| 2-wire voice unbundled Louisiana Area Plus with caller ID - residence (RUL) | UEPAG | NA | NA | NA |
| 2-wire voice unbundled Louisiana Area Plus with caller ID - residence (AC7) | UEPAH | NA | NA | NA |
| 2-wire voice unbundled South Carolina Area Calling port with Caller ID - residence (LW8) | UEPAJ | NA | NA | NA |
| 2-wire voice unbundled Tennessee Area Calling port with Caller ID - residence (F2R) | UEPAK | NA | NA | \$2.92 |
| 2-wire voice unbundled Tennessee Area Calling port with Caller ID - residence (TACER) | UEPAL | NA | NA | \$2.92 |

BELLSOUTH Actual RATES NETWORK ELEMENTS
AND OTHER SERVICES
PORTS

Attachment 2
Exhibit C
Rates - Page 29
Exhibit A

| DESCRIPTION | USOC | FL | GA | TN |
|---|-------|--------|---------|---------|
| 2-wire voice unbundled Tennessee Area Calling port with Caller ID - residence (TACSR) | UEPAM | NA | NA | \$2.92 |
| 2-wire voice unbundled Tennessee Area Calling port with Caller ID - residence (1MF2X) | UEPAN | NA | NA | \$2.92 |
| 2-wire voice unbundled Tennessee Area Calling port with Caller ID - residence (2MR) | UEPAD | NA | NA | \$2.92 |
| 2-wire voice unbundled Res Low Usage Line Port with Caller ID (LUM) | UEPAP | \$2.59 | NA | \$2.92 |
| 2-wire voice unbundled port without Caller ID | UEPBL | \$2.59 | NA | \$2.92 |
| 2-wire voice unbundled port with Caller ID | UEPBC | \$2.59 | NA | \$2.92 |
| 2-wire voice unbundled outgoing only port | UEPBO | \$2.59 | NA | \$2.92 |
| 2-wire voice grade unbundled Alabama extended local dialing parity port with caller ID | UEPAW | NA | NA | NA |
| 2-wire voice grade unbundled Kentucky extended local dialing parity port with caller ID | UEPBM | NA | NA | NA |
| 2-wire voice grade unbundled Louisiana extended local dialing parity port with caller ID | UEPAX | NA | NA | NA |
| 2-wire voice grade unbundled Mississippi extended local dialing parity port with caller ID | UEPAY | NA | NA | NA |
| 2-wire voice grade unbundled South Carolina extended local dialing parity port with caller ID | UEPAZ | NA | NA | NA |
| 2-wire voice grade unbundled Tennessee extended local dialing parity port with caller ID | UEPAV | NA | NA | \$2.92 |
| 2-wire voice unbundled incoming only port with Caller ID | UEPB1 | \$2.59 | NA | \$2.92 |
| 2-wire voice unbundled LA Bus Area Calling Port with Caller ID (BUC) | UEPAA | NA | NA | NA |
| 2-wire voice unbundled SC Bus Area Calling Port with Caller ID (LMB) | UEPAB | NA | NA | NA |
| 2-wire voice unbundled TN Bus 2-way Area Calling Port Economy Option (TACC1) | UEPAC | NA | NA | \$2.92 |
| 2-wire voice unbundled TN Bus 2-way Area Calling Port Standard Option (TACC2) | UEPAD | NA | NA | \$2.92 |
| 2-wire voice unbundled TN Bus 2-way Collierville and Memphis Local Calling Port (B2F) | UEPAE | NA | NA | \$2.92 |
| NRC - OSS | | | | |
| NRC - OSS LSR Charge, Electronic, per LSR received from the CLEC by one of the OSS interactive interfaces | SOMEK | \$3.50 | \$3.50 | \$3.50 |
| NRC - Incremental Charge - Manual Service Order - 1st | SOMAN | NA | \$18.94 | \$20.35 |
| NRC - Incremental Charge - Manual Service Order - Add'l | SOMAN | NA | \$8.42 | \$10.54 |
| NRC - Incremental Charge - Manual Service Order - Disconnect - 1st | SOMAN | NA | NA | \$13.32 |
| NRC - Incremental Charge - Manual Service Order - Disconnect - Add'l | SOMAN | NA | NA | \$1.40 |
| All available features, per month | UEPVF | \$3.40 | NA | NA |
| NRC - 1st (all types) | | NA | NA | NA |
| NRC - Add'l (all types) | | NA | NA | NA |
| NRC - Disconnect Charge - 1st | | NA | NA | NA |
| NRC - Disconnect Charge - Add'l | | NA | NA | NA |
| NRC - Incremental Charge - Manual Service Order - 1st | SOMAN | NA | NA | NA |
| NRC - Incremental Charge - Manual Service Order - Add'l | SOMAN | NA | NA | NA |
| NRC - Incremental Charge - Manual Service Order - Disconnect - 1st | SOMAN | NA | NA | NA |
| NRC - Incremental Charge - Manual Service Order - Disconnect - Add'l | SOMAN | NA | NA | NA |
| Three available features, per month | UEPVF | NA | NA | NA |
| NRC - 1st (all types) | | NA | NA | NA |
| NRC - Add'l (all types) | | NA | NA | NA |

BELLSOUTH/Actel RATES NETWORK ELEMENTS
AND OTHER SERVICES
PORTS

Attachment 2
Exhibit C
Rates - Page 30
Exhibit A

| DESCRIPTION | USOC | FL | GA | TN |
|--|-------|----------|----------|------------------|
| NRC - Disconnect Charge - 1st | | NA | NA | NA |
| NRC - Disconnect Charge - Add'l | | NA | NA | NA |
| NRC - Incremental Charge - Manual Service Order - 1st | SOMAN | NA | NA | NA |
| NRC - Incremental Charge - Manual Service Order - Add'l | SOMAN | NA | NA | NA |
| NRC - Incremental Charge - Manual Service Order - Disconnect - 1st | SOMAN | NA | NA | NA |
| NRC - Incremental Charge - Manual Service Order - Disconnect - Add'l | SOMAN | NA | NA | NA |
| 4-Wire Analog VG Port, per month | UEP4A | \$8.74 | \$8.47 | \$11.11 |
| NRC - 1st | UEP4A | \$4.76 | \$17.16 | \$9.93 |
| NRC - Add'l | UEP4A | \$4.54 | \$17.16 | \$9.19 |
| NRC - Disconnect Charge - 1st | BFR | \$2.82 | NA | \$3.66 |
| NRC - Disconnect Charge - Add'l | BFR | \$2.64 | NA | \$2.92 |
| NRC - Incremental Charge - Manual Service Order - 1st | SOMAN | \$21.56 | \$18.94 | \$20.35 |
| NRC - Incremental Charge - Manual Service Order - Add'l | SOMAN | \$21.56 | \$8.42 | \$10.54 |
| NRC - Incremental Charge - Manual Service Order - Disconnect - 1st | SOMAN | \$3.84 | NA | \$13.32 |
| NRC - Incremental Charge - Manual Service Order - Disconnect - Add'l | SOMAN | \$3.84 | NA | \$1.40 |
| 2-Wire DND Port, per month | UEPP2 | \$9.38 | \$11.35 | \$8.97 |
| NRC - 1st | UEPP2 | \$248.44 | \$61.91 | \$47.75 |
| NRC - Add'l | UEPP2 | \$37.49 | \$61.91 | \$47.01 |
| NRC - Disconnect Charge - 1st | UEPP2 | \$113.28 | NA | \$9.21 |
| NRC - Disconnect Charge - Add'l | UEPP2 | \$7.12 | NA | \$8.47 |
| NRC - Incremental Charge - Manual Service Order - 1st | SOMAN | \$21.56 | \$18.94 | \$20.35 |
| NRC - Incremental Charge - Manual Service Order - Add'l | SOMAN | \$21.56 | \$8.42 | \$10.54 |
| NRC - Incremental Charge - Manual Service Order - Disconnect - 1st | SOMAN | \$3.84 | NA | \$13.32 |
| NRC - Incremental Charge - Manual Service Order - Disconnect - Add'l | SOMAN | \$3.84 | NA | \$1.40 |
| 4-Wire DS1 Port w/DID capability, per month | UEPDD | \$63.31 | \$120.80 | \$120.00 |
| NRC - 1st | UEPDD | \$413.55 | \$89.44 | To be negotiated |
| NRC - Add'l | UEPDD | \$191.44 | \$52.46 | To be negotiated |
| NRC - Disconnect Charge - 1st | UEPDD | \$137.29 | NA | NA |
| NRC - Disconnect Charge - Add'l | UEPDD | \$4.65 | NA | NA |
| NRC - Incremental Charge - Manual Service Order - 1st | SOMAN | \$21.56 | \$18.94 | NA |
| NRC - Incremental Charge - Manual Service Order - Add'l | SOMAN | \$21.56 | \$8.42 | NA |
| NRC - Incremental Charge - Manual Service Order - Disconnect - 1st | SOMAN | \$3.84 | NA | NA |
| NRC - Incremental Charge - Manual Service Order - Disconnect - Add'l | SOMAN | \$3.84 | NA | NA |
| 2-Wire ISDN Port(2) (3), per month | U1PMA | \$10.20 | \$13.47 | NA |
| NRC - 1st | U1PMA | \$155.34 | \$47.37 | NA |
| NRC - Add'l | U1PMA | \$106.00 | \$47.37 | NA |
| NRC - Disconnect Charge - 1st | U1PMA | \$93.37 | NA | NA |
| NRC - Disconnect Charge - Add'l | U1PMA | \$20.98 | NA | NA |
| NRC - Incremental Charge - Manual Service Order - 1st | SOMAN | \$21.56 | \$39.98 | NA |
| NRC - Incremental Charge - Manual Service Order - Add'l | SOMAN | \$21.56 | \$39.98 | NA |
| NRC - Incremental Charge - Manual Service Order - Disconnect - 1st | SOMAN | \$3.84 | NA | NA |
| NRC - Incremental Charge - Manual Service Order - Disconnect - Add'l | SOMAN | \$3.84 | NA | NA |
| NRC - User Profile per B Channel (4) | U1UMA | NA | NA | NA |
| 2-Wire ISDN Port(2) (3) including all available features, per month | U1PMA | NA | NA | \$18.40 |
| NRC - 1st | U1PMA | NA | NA | \$30.23 |
| NRC - Add'l | U1PMA | NA | NA | \$29.49 |
| NRC - Disconnect Charge - 1st | U1PMA | NA | NA | \$4.10 |

BELLSOUTH/Actel RATES NETWORK ELEMENTS
AND OTHER SERVICES
PORTS

Attachment 2
Exhibit C
Rates - Page 31
Exhibit A

| DESCRIPTION | USOC | FL | GA | TN |
|--|---------|----------|----------|----------|
| NRC - Disconnect Charge - Add'l | U1PMA | NA | NA | \$4.10 |
| NRC - Incremental Charge - Manual Service Order - 1st | SOMAN | NA | NA | \$41.43 |
| NRC - Incremental Charge - Manual Service Order - Add'l | SOMAN | NA | NA | \$42.17 |
| NRC - Incremental Charge - Manual Service Order - Disconnect - 1st | SOMAN | NA | NA | \$9.80 |
| NRC - Incremental Charge - Manual Service Order - Disconnect - Add'l | SOMAN | NA | NA | \$9.80 |
| 2-Wire ISDN Port(2) (3) Including three available features, per month | | | | |
| NRC - 1st | U1PMA | NA | NA | NA |
| NRC - Add'l | U1PMA | NA | NA | NA |
| NRC - Incremental Charge - Manual Service Order - 1st | SOMAN | NA | NA | NA |
| NRC - Incremental Charge - Manual Service Order - Add'l | SOMAN | NA | NA | NA |
| 4-Wire ISDN DS1 Port, per month | | | | |
| NRC - 1st | UEPEX | \$95.39 | \$163.16 | \$308.00 |
| NRC - Add'l | UEPEX | \$417.51 | \$186.80 | \$148.66 |
| NRC - Disconnect Charge - 1st | UEPEX | \$203.18 | \$186.80 | \$147.18 |
| NRC - Disconnect Charge - Add'l | UEPEX | \$149.75 | NA | \$38.46 |
| NRC - Incremental Charge - Manual Service Order - 1st | UEPEX | \$37.93 | NA | \$36.98 |
| NRC - Incremental Charge - Manual Service Order - Add'l | SOMAN | \$21.56 | \$37.88 | \$40.69 |
| NRC - Incremental Charge - Manual Service Order - Disconnect - 1st | SOMAN | \$21.56 | \$37.88 | \$42.17 |
| NRC - Incremental Charge - Manual Service Order - Disconnect - Add'l | SOMAN | \$3.84 | NA | \$9.07 |
| NRC - Incremental Charge - Manual Service Order - Disconnect - Add'l | SOMAN | \$3.84 | NA | \$10.54 |
| 4-Wire ISDN DS1 Port including all available features, per month | | | | |
| NRC - 1st | UEPEX | NA | NA | NA |
| NRC - Add'l | UEPEX | NA | NA | NA |
| NRC - Incremental Charge - Manual Service Order - 1st | SOMAN | NA | NA | NA |
| NRC - Incremental Charge - Manual Service Order - Add'l | SOMAN | NA | NA | NA |
| 2-Wire Analog Line Port (PBX), per month | | | | |
| 2 WIRE VOICE UNBUNDLED COMBINATION 2-WAY PBX TRUNK - Residence | UEPRD | \$1.62 | \$1.85 | \$4.63 |
| LINE SIDE UNBUNDLED COMBINATION 2-WAY PBX TRUNK - BUSINESS | UEPPC | \$1.62 | \$1.85 | \$4.63 |
| LINE SIDE UNBUNDLED OUTWARD PBX TRUNK - BUSINESS | UEPPO | \$1.62 | \$1.85 | \$4.63 |
| LINE SIDE UNBUNDLED INCOMING PBX TRUNK - BUSINESS | UEPP1 | \$1.62 | \$1.85 | \$4.63 |
| LONG DISTANCE TERMINAL PBX TRUNK-BUSINESS | UEPLD | \$1.62 | \$1.85 | \$4.63 |
| TN 2-WAY CALLING PLAN PBX TRUNK - BUSINESS | UEPT2 | \$1.62 | \$1.85 | \$4.63 |
| TN OUTWARD CALLING PLAN PBX TRUNK - BUSINESS | UEPT0 | \$1.62 | \$1.85 | \$4.63 |
| 2-WIRE VOICE UNBUNDLED 2-WAY COMBINATION PBX ALABAMA CALLING PORT | UEPA2 | NA | NA | NA |
| 2-WIRE VOICE UNBUNDLED 2-WAY COMBINATION PBX LOUISIANA CALLING PORT | UEPL2 | NA | NA | NA |
| 2-WIRE VOICE UNBUNDLED PBX LD TERMINAL PORTS | UEPLD | \$1.62 | \$1.85 | \$4.63 |
| 2-WIRE VOICE UNBUNDLED 2-WAY COMBINATION PBX TENNESSEE CALLING PORT | UEPT2 | NA | NA | \$4.63 |
| 2-WIRE VOICE UNBUNDLED 1-WAY OUTGOING PBX TENNESSEE CALLING PORT | UEPT0 | NA | NA | \$4.63 |
| 2-WIRE VOICE UNBUNDLED 2-WAY COMBINATION PBX USAGE PORT | UEPXA | \$1.62 | \$1.85 | \$4.63 |
| 2-WIRE VOICE UNBUNDLED PBX TOLL TERMINAL HOTEL PORTS | UEPXB | \$1.62 | \$1.85 | \$4.63 |
| 2-WIRE VOICE UNBUNDLED PBX LD DDD TERMINALS PORT | UEPXC | \$1.62 | \$1.85 | \$4.63 |
| 2-WIRE VOICE UNBUNDLED PBX LD TERMINAL SWITCHBOARD PORT | UEPXD | \$1.62 | \$1.85 | \$4.63 |
| 2-WIRE VOICE UNBUNDLED PBX LD TERMINAL SWITCHBOARD IDD CAPABLE PORT | UEPXE | \$1.62 | \$1.85 | \$4.63 |
| 2-WIRE VOICE UNBUNDLED 2-WAY PBX KENTUCKY ROOM AREA CALLING PORT WITHOUT LUD | * UEPXF | NA | NA | NA |
| 2-WIRE VOICE UNBUNDLED PBX KENTUCKY LUD AREA CALLING PORT | UEPXG | NA | NA | NA |

BELLSOUTH/Actel RATES NETWORK ELEMENTS
AND OTHER SERVICES
PORTS

Attachment 2
Exhibit C
Rates - Page 32
Exhibit A

| DESCRIPTION | USOC | FL | GA | TN |
|--|-------|---------|---------|--------|
| 2-WIRE VOICE UNBUNDLED PBX KENTUCKY PREMIUM CALLING PORT | UEPXH | NA | NA | NA |
| 2-WIRE VOICE UNBUNDLED 2-WAY KENTUCKY AREA CALLING PORT WITHOUT LUD | UEPXJ | NA | NA | NA |
| 2-WIRE VOICE UNBUNDLED 2-WAY PBX LOUISIANA LOCAL OPTIONAL CALLING PORT | UEPXK | NA | NA | NA |
| 2-WIRE VOICE UNBUNDLED 2-WAY PBX HOTEL/HOSPITAL ECONOMY ADMINISTRATIVE CALLING PORT | UEPXL | \$1.62 | \$1.85 | \$4.63 |
| 2-WIRE VOICE UNBUNDLED 2-WAY PBX HOTEL/HOSPITAL ECONOMY ROOM CALLING PORT | UEPXM | \$1.62 | \$1.85 | \$4.63 |
| 2-WIRE VOICE UNBUNDLED 1-WAY OUTGOING PBX HOTEL/HOSPITAL ECONOMY ADMINIATRATIVE CALLING PORTTENNESSEE CALLING PORT | UEPXN | NA | NA | \$4.63 |
| 2-WIRE VOICE UNBUNDLED 1-WAY OUTGOING PBX HOTEL/HOSPITAL DISCOUNT ROOM CALLING PORT | UEPXO | \$1.62 | \$1.85 | \$4.63 |
| 2-WIRE VOICE UNBUNDLED 1-WAY OUTGOING PBX LOUISIANA LOCAL DISCOUNT CALLING PORT | UEPXP | NA | NA | NA |
| 2-WIRE VOICE UNBUNDLED 2-WAY PBX MISSISSIPPI LOCAL ECONOMY CALLING PORT | UEPXQ | NA | NA | NA |
| 2-WIRE VOICE UNBUNDLED 2-WAY PBX MISSISSIPPI LOCAL OPTIONAL CALLING PORT | UEPXR | NA | NA | NA |
| 2-WIRE VOICE UNBUNDLED 1-WAY OUTGOING PBXMEASURED PORT | UEPXS | \$1.62 | \$1.85 | \$4.63 |
| 2-WIRE VOICE UNBUNDLED 2-WAY PBX SOUTH CAROLINA AREA PLUS CALLING PORT | UEPXT | NA | NA | NA |
| 2-WIRE VOICE UNBUNDLED PBX COLLIERVILLE & MEMPHIS CALLING PORT | UEPXU | NA | NA | \$4.63 |
| 2-WIRE VOICE UNBUNDLED 2-WAY PBX TENNESSEE REGIONSERV CALLING PORT | UEPXV | NA | NA | \$4.63 |
| UNBUNDLED LOOP BILLING USOC (REQUIRES ONE PER PORT) | UEPLX | | | |
| LOCAL NUMBER PORTABILITY (REQUIRES ONE PER PORT) | LNPCP | | | |
| NPC - 1st | UEPPC | \$62.56 | \$17.16 | \$9.93 |
| 2 WIRE VOICE UNBUNDLED COMBINATION 2-WAY PBX TRUNK - Residence | UEPRD | \$62.56 | \$17.16 | \$9.93 |
| LINE SIDE UNBUNDLED COMBINATION 2-WAY PBX TRUNK - BUSINESS | UEPPC | \$62.56 | \$17.16 | \$9.93 |
| LINE SIDE UNBUNDLED OUTWARD PBX TRUNK - BUSINESS | UEPPO | \$62.56 | \$17.16 | \$9.93 |
| LINE SIDE UNBUNDLED INCOMING PBX TRUNK - BUSINESS | UEPP1 | \$62.56 | \$17.16 | \$9.93 |
| LONG DISTANCE TERMINAL PBX TRUNK-BUSINESS | UEPLD | \$62.56 | \$17.16 | \$9.93 |
| TN 2-WAY CALLING PLAN PBX TRUNK - BUSINESS | UEPT2 | \$62.56 | \$17.16 | \$9.93 |
| TN OUTWARD CALLING PLAN PBX TRUNK - BUSINESS | UEPTO | \$62.56 | \$17.16 | \$9.93 |
| 2-WIRE VOICE UNBUNDLED 2-WAY COMBINATION PBX ALABAMA CALLING PORT | UEPA2 | NA | NA | NA |
| 2-WIRE VOICE UNBUNDLED 2-WAY COMBINATION PBX LOUISIANA CALLING PORT | UEPL2 | NA | NA | NA |
| 2-WIRE VOICE UNBUNDLED PBX LD TERMINAL PORTS | UEPLD | \$62.56 | \$17.16 | NA |
| 2-WIRE VOICE UNBUNDLED 2-WAY COMBINATION PBX TENNESSEE CALLING PORT | UEPT2 | NA | NA | \$9.93 |
| 2-WIRE VOICE UNBUNDLED 1-WAY OUTGOING PBX TENNESSEE CALLING PORT | UEPTO | NA | NA | \$9.93 |
| 2-WIRE VOICE UNBUNDLED 2-WAY COMBINATION PBX USAGE PORT | UEPXA | \$62.56 | \$17.16 | \$9.93 |
| 2-WIRE VOICE UNBUNDLED PBX TOLL TERMINAL HOTEL PORTS | UEPXB | \$62.56 | \$17.16 | \$9.93 |
| 2-WIRE VOICE UNBUNDLED PBX LD DDD TERMINALS PORT | UEPXC | \$62.56 | \$17.16 | \$9.93 |
| 2-WIRE VOICE UNBUNDLED PBX LD TERMINAL SWITCHBOARD PORT | UEPXD | \$62.56 | \$17.16 | \$9.93 |

BELLSOUTH Actual RATES NETWORK ELEMENTS
AND OTHER SERVICES
PORTS

Attachment 2
Exhibit C
Rates Page 33
Exhibit A

| DESCRIPTION | USOC | FL | GA | TN |
|---|--------|---------|---------|---------|
| 2-WIRE VOICE UNBUNDLED PBX LD TERMINAL SWITCHBOARD IDD CAPABLE PORT | UEPXE | \$62.56 | \$17.16 | \$9.93 |
| 2-WIRE VOICE UNBUNDLED 2-WAY PBX KENTUCKY ROOM AREA CALLING PORT WITHOUT LUD | UEPXF | NA | NA | NA |
| 2-WIRE VOICE UNBUNDLED PBX KENTUCKY LUD AREA CALLING PORT | UEPXG | NA | NA | NA |
| 2-WIRE VOICE UNBUNDLED PBX KENTUCKY PREMIUM CALLING PORT | UEPXH | NA | NA | NA |
| WITHOUT LUD | UEPXJ | NA | NA | NA |
| 2-WIRE VOICE UNBUNDLED 2-WAY PBX LOUISIANA LOCAL OPTIONAL CALLING PORT | UEP XK | NA | NA | NA |
| 2-WIRE VOICE UNBUNDLED 2-WAY PBX HOTEL/HOSPITAL ECONOMY ADMINISTRATIVE CALLING PORT | UEPXL | \$62.56 | \$17.16 | \$9.93 |
| 2-WIRE VOICE UNBUNDLED 2-WAY PBX HOTEL/HOSPITAL ECONOMY ROOM CALLING PORT | UEPXM | \$62.56 | \$17.16 | \$9.93 |
| 2-WIRE VOICE UNBUNDLED 1-WAY OUTGOING PBX HOTEL/HOSPITAL ECONOMY ADMINISTRATIVE CALLING PORT TENNESSEE CALLING PORT | UEP XN | NA | NA | \$9.93 |
| 2-WIRE VOICE UNBUNDLED 1-WAY OUTGOING PBX HOTEL/HOSPITAL DISCOUNT ROOM CALLING PORT | UEP XO | \$62.56 | \$17.16 | \$9.93 |
| 2-WIRE VOICE UNBUNDLED 1-WAY OUTGOING PBX LOUISIANA LOCAL DISCOUNT CALLING PORT | UEP XP | NA | NA | NA |
| 2-WIRE VOICE UNBUNDLED 2-WAY PBX MISSISSIPPI LOCAL ECONOMY CALLING PORT | UEP XQ | NA | NA | NA |
| 2-WIRE VOICE UNBUNDLED 2-WAY PBX MISSISSIPPI LOCAL OPTIONAL CALLING PORT | UEP XR | NA | NA | NA |
| 2-WIRE VOICE UNBUNDLED 1-WAY OUTGOING PBX MEASURED PORT | UEP XS | \$62.56 | \$17.16 | \$9.93 |
| 2-WIRE VOICE UNBUNDLED 2-WAY PBX SOUTH CAROLINA AREA PLUS CALLING PORT | UEP XT | NA | NA | NA |
| 2-WIRE VOICE UNBUNDLED PBX COLLIERVILLE & MEMPHIS CALLING PORT | UEP XU | NA | NA | \$9.93 |
| 2-WIRE VOICE UNBUNDLED 2-WAY PBX TENNESSEE REGIONSERV CALLING PORT | UEP XV | NA | NA | \$9.93 |
| Subsequent Activity | USASC | \$10.00 | \$10.00 | \$10.00 |
| NRC - Add'l | | | | |
| 2 WIRE VOICE UNBUNDLED COMBINATION 2-WAY PBX TRUNK - Residence | UEPRD | \$29.70 | \$17.16 | \$9.19 |
| LINE SIDE UNBUNDLED COMBINATION 2-WAY PBX TRUNK - BUSINESS | UEPPC | \$29.70 | \$17.16 | \$9.19 |
| LINE SIDE UNBUNDLED OUTWARD PBX TRUNK - BUSINESS | UEPPO | \$29.70 | \$17.16 | \$9.19 |
| LINE SIDE UNBUNDLED INCOMING PBX TRUNK - BUSINESS | UEPP1 | \$29.70 | \$17.16 | \$9.19 |
| LONG DISTANCE TERMINAL PBX TRUNK-BUSINESS | UEPLD | \$29.70 | \$17.16 | \$9.19 |
| TN 2-WAY CALLING PLAN PBX TRUNK - BUSINESS | UEPT2 | \$29.70 | \$17.16 | \$9.19 |
| TN OUTWARD CALLING PLAN PBX TRUNK - BUSINESS | UEPTO | \$29.70 | \$17.16 | \$9.19 |
| 2-WIRE VOICE UNBUNDLED 2-WAY COMBINATION PBX ALABAMA CALLING PORT | UEPA2 | NA | NA | NA |
| 2-WIRE VOICE UNBUNDLED 2-WAY COMBINATION PBX LOUISIANA CALLING PORT | UEPL2 | NA | NA | NA |
| 2-WIRE VOICE UNBUNDLED PBX LD TERMINAL PORTS | UEPLD | \$29.70 | \$17.16 | \$9.19 |
| 2-WIRE VOICE UNBUNDLED 2-WAY COMBINATION PBX TENNESSEE CALLING PORT | UEPT2 | NA | NA | \$9.19 |
| 2-WIRE VOICE UNBUNDLED 1-WAY OUTGOING PBX TENNESSEE CALLING PORT | UEPTO | NA | NA | \$9.19 |
| 2-WIRE VOICE UNBUNDLED 2-WAY COMBINATION PBX USAGE PORT | UEPXA | \$29.70 | \$17.16 | \$9.19 |
| 2-WIRE VOICE UNBUNDLED PBX TOLL TERMINAL HOTEL PORTS | UEPXB | \$29.70 | \$17.16 | \$9.19 |

BELLSOUTH Actual RATES NETWORK ELEMENTS
AND OTHER SERVICES
PORTS

Attachment 2
Exhibit C
Rates - Page 34
Exhibit A

| DESCRIPTION | USOC | FL | GA | TN |
|---|-------|---------|---------|--------|
| 2-WIRE VOICE UNBUNDLED PBX LD DDD TERMINALS PORT | UEPXC | \$29.70 | \$17.16 | \$9.19 |
| 2-WIRE VOICE UNBUNDLED PBX LD TERMINAL SWITCHBOARD PORT | UEPXD | \$29.70 | \$17.16 | \$9.19 |
| 2-WIRE VOICE UNBUNDLED PBX LD TERMINAL SWITCHBOARD IDD CAPABLE PORT | UEPXE | \$29.70 | \$17.16 | \$9.19 |
| 2-WIRE VOICE UNBUNDLED 2-WAY PBX KENTUCKY ROOM AREA CALLING PORT WITHOUT LUD | UEPXF | NA | NA | NA |
| 2-WIRE VOICE UNBUNDLED PBX KENTUCKY LUD AREA CALLING PORT | UEPXG | NA | NA | NA |
| 2-WIRE VOICE UNBUNDLED PBX KENTUCKY PREMIUM CALLING PORT | UEPXH | NA | NA | NA |
| 2-WIRE VOICE UNBUNDLED 2-WAY KENTUCKY AREA CALLING PORT WITHOUT LUD | UEPXJ | NA | NA | NA |
| 2-WIRE VOICE UNBUNDLED 2-WAY PBX LOUISIANA LOCAL OPTIONAL CALLING PORT | UEPXK | NA | NA | NA |
| 2-WIRE VOICE UNBUNDLED 2-WAY PBX HOTEL/HOSPITAL ECONOMY ADMINISTRATIVE CALLING PORT | UEPXL | \$29.70 | \$17.16 | \$9.19 |
| 2-WIRE VOICE UNBUNDLED 2-WAY PBX HOTEL/HOSPITAL ECONOMY ROOM CALLING PORT | UEPXM | \$29.70 | \$17.16 | \$9.19 |
| 2-WIRE VOICE UNBUNDLED 1-WAY OUTGOING PBX HOTEL/HOSPITAL ECONOMY ADMINISTRATIVE CALLING PORT TENNESSEE CALLING PORT | UEPXN | NA | NA | \$9.19 |
| 2-WIRE VOICE UNBUNDLED 1-WAY OUTGOING PBX HOTEL/HOSPITAL DISCOUNT ROOM CALLING PORT | UEPXO | \$29.70 | \$17.16 | \$9.19 |
| 2-WIRE VOICE UNBUNDLED 1-WAY OUTGOING PBX LOUISIANA LOCAL DISCOUNT CALLING PORT | UEPXP | NA | NA | NA |
| 2-WIRE VOICE UNBUNDLED 2-WAY PBX MISSISSIPPI LOCAL ECONOMY CALLING PORT | UEPXQ | NA | NA | NA |
| 2-WIRE VOICE UNBUNDLED 2-WAY PBX MISSISSIPPI LOCAL OPTIONAL CALLING PORT | UEPXR | NA | NA | NA |
| 2-WIRE VOICE UNBUNDLED 1-WAY OUTGOING PBX MEASURED PORT | UEPXS | \$29.70 | \$17.16 | \$9.19 |
| 2-WIRE VOICE UNBUNDLED 2-WAY PBX SOUTH CAROLINA AREA PLUS CALLING PORT | UEPXT | NA | NA | NA |
| 2-WIRE VOICE UNBUNDLED PBX COLLIERSVILLE & MEMPHIS CALLING PORT | UEPXU | NA | NA | \$9.19 |
| 2-WIRE VOICE UNBUNDLED 2-WAY PBX TENNESSEE REGIONSERV CALLING PORT | UEPXV | NA | NA | \$9.19 |
| NRC - Disconnect Charge - 1st | | | | |
| 2 WIRE VOICE UNBUNDLED COMBINATION 2-WAY PBX TRUNK - Residence | UEPRD | \$26.37 | NA | \$3.66 |
| LINE SIDE UNBUNDLED COMBINATION 2-WAY PBX TRUNK - BUSINESS | UEPPC | \$26.37 | NA | \$3.66 |
| LINE SIDE UNBUNDLED OUTWARD PBX TRUNK - BUSINESS | UEPPO | \$26.37 | NA | \$3.66 |
| LINE SIDE UNBUNDLED INCOMING PBX TRUNK - BUSINESS | UEPP1 | \$26.37 | NA | \$3.66 |
| LONG DISTANCE TERMINAL PBX TRUNK-BUSINESS | UEPLD | \$26.37 | NA | \$3.66 |
| TN 2-WAY CALLING PLAN PBX TRUNK - BUSINESS | UEPT2 | \$26.37 | NA | \$3.66 |
| TN OUTWARD CALLING PLAN PBX TRUNK - BUSINESS | UEPTO | \$26.37 | NA | \$3.66 |
| 2-WIRE VOICE UNBUNDLED 2-WAY COMBINATION PBX ALABAMA CALLING PORT | UEPA2 | NA | NA | NA |
| 2-WIRE VOICE UNBUNDLED 2-WAY COMBINATION PBX LOUISIANA CALLING PORT | UEPL2 | NA | NA | NA |
| 2-WIRE VOICE UNBUNDLED PBX LD TERMINAL PORTS | UEPLD | \$26.37 | NA | \$3.66 |
| 2-WIRE VOICE UNBUNDLED 2-WAY COMBINATION PBX TENNESSEE CALLING PORT | UEPT2 | NA | NA | \$3.66 |
| 2-WIRE VOICE UNBUNDLED 1-WAY OUTGOING PBX TENNESSEE CALLING PORT | UEPTO | NA | NA | \$3.66 |
| 2-WIRE VOICE UNBUNDLED 2-WAY COMBINATION PBX USAGE PORT | UEPXA | \$26.37 | NA | \$3.66 |
| 2-WIRE VOICE UNBUNDLED PBX TOLL TERMINAL HOTEL PORTS | UEPXB | \$26.37 | NA | \$3.66 |

BELLSOUTH/Actual RATES NETWORK ELEMENTS
AND OTHER SERVICES
PORTS

Attachment 2
Exhibit C
Rates - Page 36
Exhibit A

| DESCRIPTION | USOC | FL | GA | TN |
|---|--------|---------|---------|---------|
| 2-WIRE VOICE UNBUNDLED PBX LD DDD TERMINALS PORT | UEPXC | \$1.69 | NA | \$2.92 |
| 2-WIRE VOICE UNBUNDLED PBX LD TERMINAL SWITCHBOARD PORT | UEPXD | \$1.69 | NA | \$2.92 |
| 2-WIRE VOICE UNBUNDLED PBX LD TERMINAL SWITCHBOARD IDD CAPABLE PORT | UEPXE | \$1.69 | NA | \$2.92 |
| 2-WIRE VOICE UNBUNDLED 2-WAY PBX KENTUCKY ROOM AREA CALLING PORT WITHOUT LUD | UEPXF | NA | NA | NA |
| 2-WIRE VOICE UNBUNDLED PBX KENTUCKY LUD AREA CALLING PORT | UEPXG | NA | NA | NA |
| 2-WIRE VOICE UNBUNDLED PBX KENTUCKY PREMIUM CALLING PORT | UEPXH | NA | NA | NA |
| 2-WIRE VOICE UNBUNDLED 2-WAY KENTUCKY AREA CALLING PORT WITHOUT LUD | UEPXJ | NA | NA | NA |
| 2-WIRE VOICE UNBUNDLED 2-WAY PBX LOUISIANA LOCAL OPTIONAL CALLING PORT | UEPXK | NA | NA | NA |
| 2-WIRE VOICE UNBUNDLED 2-WAY PBX HOTEL/HOSPITAL ECONOMY ADMINISTRATIVE CALLING PORT | UEPXL | \$1.69 | NA | \$2.92 |
| 2-WIRE VOICE UNBUNDLED 2-WAY PBX HOTEL/HOSPITAL ECONOMY ROOM CALLING PORT | UEPXM | \$1.69 | NA | \$2.92 |
| 2-WIRE VOICE UNBUNDLED 1-WAY OUTGOING PBX HOTEL/HOSPITAL ECONOMY ADMINISTRATIVE CALLING PORT TENNESSEE CALLING PORT | UEPXN | NA | NA | \$2.92 |
| 2-WIRE VOICE UNBUNDLED 1-WAY OUTGOING PBX HOTEL/HOSPITAL DISCOUNT ROOM CALLING PORT | UEPXO | \$1.69 | NA | \$2.92 |
| 2-WIRE VOICE UNBUNDLED 1-WAY OUTGOING PBX LOUISIANA LOCAL DISCOUNT CALLING PORT | UEPXP | NA | NA | NA |
| 2-WIRE VOICE UNBUNDLED 2-WAY PBX MISSISSIPPI LOCAL ECONOMY CALLING PORT | UEPXQ | NA | NA | NA |
| 2-WIRE VOICE UNBUNDLED 2-WAY PBX MISSISSIPPI LOCAL OPTIONAL CALLING PORT | UEPXR | NA | NA | NA |
| 2-WIRE VOICE UNBUNDLED 1-WAY OUTGOING PBX MEASURED PORT | UEPXS | \$1.69 | NA | \$2.92 |
| 2-WIRE VOICE UNBUNDLED 2-WAY PBX SOUTH CAROLINA AREA PLUS CALLING PORT | UEPXT | NA | NA | NA |
| 2-WIRE VOICE UNBUNDLED PBX COLLIERVILLE & MEMPHIS CALLING PORT | UEPXU | NA | NA | \$2.92 |
| 2-WIRE VOICE UNBUNDLED 2-WAY PBX TENNESSEE REGION SERV CALLING PORT | UEPXV | NA | NA | \$2.92 |
| NRC - OSS | | | | |
| NRC - OSS LSR Charge, Electronic, per LSR received from the CLEC by one of the OSS interactive interfaces | SOME C | \$2.75 | \$3.50 | \$3.50 |
| NRC - Incremental Charge - Manual Service Order - 1st | SOMAN | \$21.56 | \$18.94 | \$20.35 |
| NRC - Incremental Charge - Manual Service Order - Add'l | SOMAN | \$21.56 | \$8.42 | \$10.54 |
| NRC - Incremental Charge - Manual Service Order - Disconnect - 1st | SOMAN | \$3.84 | NA | \$13.32 |
| NRC - Incremental Charge - Manual Service Order - Disconnect - Add'l | SOMAN | \$3.84 | NA | \$1.40 |
| 2-Wire Analog Hunting, per line per month | HTGUX | NA | NA | NA |
| NRC - 1st | HTGUX | NA | NA | NA |
| NRC - Add'l | HTGUX | NA | NA | NA |
| Coin Port, per month | | \$1.62 | \$2.05 | \$2.16 |
| NRC - 1st | | \$4.76 | \$17.16 | \$9.93 |
| NRC - Add'l | | \$4.54 | \$17.16 | \$9.19 |
| NRC - Disconnect Charge - 1st | | \$2.76 | NA | \$3.66 |
| NRC - Disconnect Charge - Add'l | | \$2.59 | NA | \$2.92 |
| NRC - Incremental Charge - Manual Service Order - 1st | SOMAN | \$21.56 | \$18.94 | \$20.35 |
| NRC - Incremental Charge - Manual Service Order - Add'l | SOMAN | \$21.56 | \$8.42 | \$10.54 |

BELLSOUTH/ACM RATES NETWORK ELEMENTS
AND OTHER SERVICES
PORTS

Attachment 2
Exhibit C
Rates - Page 37
Exhibit A

| DESCRIPTION | USOC | FL | GA | TN |
|--|-------|-----------------|----|---------|
| NRC - Incremental Charge - Manual Service Order - Disconnect - 1st | SOMAN | \$3.84 | NA | \$13.32 |
| NRC - Incremental Charge - Manual Service Order - Disconnect - Add'l | SOMAN | \$3.84 | NA | \$1.40 |
| VERTICAL FEATURES | | | | |
| Local Switching Features offered with Port, Per month | N/A | No add'l charge | NA | NA |
| Three-Way Calling, per month | | NA | NA | NA |
| NRC | | NA | NA | NA |
| NRC - Disconnect | | NA | NA | NA |
| Customer Changeable Speed Calling, per month | | NA | NA | NA |
| NRC | | NA | NA | NA |
| NRC - Disconnect | | NA | NA | NA |
| Call Waiting | | NA | NA | NA |
| NRC | | NA | NA | NA |
| NRC - Disconnect | | NA | NA | NA |
| Remote Activation of Call Forwarding, per month | | NA | NA | NA |
| NRC | | NA | NA | NA |
| NRC - Disconnect | | NA | NA | NA |
| Cancel Call Waiting, per month | | NA | NA | NA |
| NRC | | NA | NA | NA |
| NRC - Disconnect | | NA | NA | NA |
| Automatic Callback, per month | | NA | NA | NA |
| NRC | | NA | NA | NA |
| NRC - Disconnect | | NA | NA | NA |
| Automatic Recall, per month | | NA | NA | NA |
| NRC | | NA | NA | NA |
| NRC - Disconnect | | NA | NA | NA |
| Calling Number Delivery, per month | | NA | NA | NA |
| NRC | | NA | NA | NA |
| NRC - Disconnect | | NA | NA | NA |
| Calling Number Delivery Blocking, per month | | NA | NA | NA |
| NRC | | NA | NA | NA |
| NRC - Disconnect | | NA | NA | NA |
| Customer Originated Trace, per month | | NA | NA | NA |
| NRC | | NA | NA | NA |
| NRC - Disconnect | | NA | NA | NA |
| Selective Call Rejection, per month | | NA | NA | NA |
| NRC | | NA | NA | NA |
| NRC - Disconnect | | NA | NA | NA |
| Selective Call Forwarding, per month | | NA | NA | NA |
| NRC | | NA | NA | NA |
| NRC - Disconnect | | NA | NA | NA |
| Selective Call Acceptance, per month | | NA | NA | NA |
| NRC | | NA | NA | NA |
| NRC - Disconnect | | NA | NA | NA |
| Multiline Hunt Service (Rotary) | | | | |
| Service per line, (in addition to port), per month | | NA | NA | NA |
| NRC | | NA | NA | NA |
| NRC - Disconnect | | NA | NA | NA |
| Call Forwarding Variable, per month | | NA | NA | NA |
| NRC | | NA | NA | NA |
| NRC - Disconnect | | NA | NA | NA |
| Call Forwarding Busy Line, per month | | NA | NA | NA |
| NRC | | NA | NA | NA |

BELLSOUTH/Adel RATES NETWORK ELEMENTS
AND OTHER SERVICES
PORTS

Attachment 2
Exhibit C
Rates - Page 38
Exhibit A

| DESCRIPTION | USOC | FL | GA | TN |
|--|------|----|----|----|
| NRC - Disconnect | | NA | NA | NA |
| Call Forwarding Don't Answer All Calls, per month | | NA | NA | NA |
| NRC | | NA | NA | NA |
| NRC - Disconnect | | NA | NA | NA |
| Remote Call Forwarding, per month | | NA | NA | NA |
| NRC | | NA | NA | NA |
| NRC - Disconnect | | NA | NA | NA |
| Call Transfer, per month | | NA | NA | NA |
| NRC | | NA | NA | NA |
| NRC - Disconnect | | NA | NA | NA |
| Call Hold, per month | | NA | NA | NA |
| NRC | | NA | NA | NA |
| NRC - Disconnect | | NA | NA | NA |
| Toll Restricted Service, per month | | NA | NA | NA |
| NRC | | NA | NA | NA |
| NRC - Disconnect | | NA | NA | NA |
| Message Waiting Indicator - Stutter Dial Tone, per month | | NA | NA | NA |
| NRC | | NA | NA | NA |
| NRC - Disconnect | | NA | NA | NA |
| Anonymous Call Rejection, per month | | NA | NA | NA |
| NRC | | NA | NA | NA |
| NRC - Disconnect | | NA | NA | NA |
| Shared Call Appearances of a DN, per month | | NA | NA | NA |
| NRC | | NA | NA | NA |
| NRC - Disconnect | | NA | NA | NA |
| Multiple Call Appearances, per month | | NA | NA | NA |
| NRC | | NA | NA | NA |
| NRC - Disconnect | | NA | NA | NA |
| ISDN Bridged Call Exclusion, per month | | NA | NA | NA |
| NRC | | NA | NA | NA |
| NRC - Disconnect | | NA | NA | NA |
| Call by Call Access, per month | | NA | NA | NA |
| NRC | | NA | NA | NA |
| NRC - Disconnect | | NA | NA | NA |
| Privacy Release, per month | | NA | NA | NA |
| NRC | | NA | NA | NA |
| NRC - Disconnect | | NA | NA | NA |
| Multi Appearance Directory Number Calls, per month | | NA | NA | NA |
| NRC | | NA | NA | NA |
| NRC - Disconnect | | NA | NA | NA |
| Make Set Busy, per month | | NA | NA | NA |
| NRC | | NA | NA | NA |
| NRC - Disconnect | | NA | NA | NA |
| Teen Service (Res. Dist. Alerting Service), per month | | NA | NA | NA |
| NRC | | NA | NA | NA |
| NRC - Disconnect | | NA | NA | NA |
| Code Restriction and Diversion, per month | | NA | NA | NA |
| NRC | | NA | NA | NA |
| NRC - Disconnect | | NA | NA | NA |
| Call Park, per month | | NA | NA | NA |
| NRC | | NA | NA | NA |
| NRC - Disconnect | | NA | NA | NA |
| Automatic Line, per month | | NA | NA | NA |
| NRC | | NA | NA | NA |

BELLSOUTH/AT&T RATES NETWORK ELEMENTS
AND OTHER SERVICES
PORTS

Attachment 2
Exhibit C
Rates - Page 39
Exhibit A

| DESCRIPTION | USOC | FL | GA | TN |
|---|-------|-----|-----|-----|
| NRC - Disconnect | | NA | NA | NA |
| 2-WIRE ISDN BRI FEATURES | | | | |
| Shared Primary Number-First Appr On Each Add'l Terminal | DS1FJ | TBD | TBD | TBD |
| Secondary Only Dn (Shared/Non-Shared) First Appearance | LLDSF | TBD | TBD | TBD |
| Shared Secondary Only Dn-First Appr On Each Add'l Term | DS1F1 | TBD | TBD | TBD |
| Shared Non-ISDN DN | DOE | TBD | TBD | TBD |
| Privacy Release | DS1FU | TBD | TBD | TBD |
| Manual Exclusion | DS1FM | TBD | TBD | TBD |
| Call Forwarding Variable-Voice Or Voice/Data | LLNCV | TBD | TBD | TBD |
| Call Forwarding Variable - Data | LLOCD | TBD | TBD | TBD |
| Call Forwarding Variable - Feature Button - Voice | GJXCF | TBD | TBD | TBD |
| Call Forwarding Variable - Feature Button - Data | LLPCD | TBD | TBD | TBD |
| Call Forwarding Busy Line - Voice Or Voice/Data | LLQCV | TBD | TBD | TBD |
| Call Forwarding Busy Line - Data | LLRCD | TBD | TBD | TBD |
| Call Fwdng Busy Line-Prgrmmbl-Voice Or Voice/Data | M6AVA | TBD | TBD | TBD |
| Call Forwarding Busy Line - Programmable - Data | M6ADF | TBD | TBD | TBD |
| Call Forwarding Don't Answer - Voice Or Voice/Data | LLSCV | TBD | TBD | TBD |
| Call Forwarding Don't Answer - Data | LLUCD | TBD | TBD | TBD |
| Call Fwdng Don't Answer-Prgrmmble Voice Or Voice/Data | M6BVA | TBD | TBD | TBD |
| Call Forwarding Don't Answer - Programmable - Data | M6BDF | TBD | TBD | TBD |
| Call Fwdng Multiple Simultaneous - Voice Or Voice/Data | M6CV5 | TBD | TBD | TBD |
| Call Forwarding Multiple Simultaneous - Data | M6CD5 | TBD | TBD | TBD |
| Conference, Drop, Hold And Transfer | DS1FN | TBD | TBD | TBD |
| Six-Way Conference, Drop, Hold And Transfer | LLY6P | TBD | TBD | TBD |
| Multi-Line Hunt Group - Voice Or Voice/Data | HTG | TBD | TBD | TBD |
| Multi-Line Hunt Group - Data | HTGSD | TBD | TBD | TBD |
| Speed Calling | LLZSU | TBD | TBD | TBD |
| Visual Message Waiting Indicator | LLAVP | TBD | TBD | TBD |
| Audible Message Waiting Indicator | MWW | TBD | TBD | TBD |
| Additional Call Appearance, PDN Or DN | DS1FG | TBD | TBD | TBD |
| Call Tracing | NST | TBD | TBD | TBD |
| Call Return | NSS | TBD | TBD | TBD |
| Preferred Call Forwarding | NCE | TBD | TBD | TBD |
| Call Block | NSY | TBD | TBD | TBD |
| Repeat Dialing | NSQ | TBD | TBD | TBD |
| Per Line Blocking For Agencies/Law Enforcement | NOB | TBD | TBD | TBD |
| Per Line Blocking For Non-Pub Customers | NOBNN | TBD | TBD | TBD |
| Per Line Blocking For General Public | NOBPC | TBD | TBD | TBD |
| Per Line Blocking For Non-Pub, And Non-Listed Customer | NOBPP | TBD | TBD | TBD |
| Per Line Blocking For Non-Pub Customers | NOBNP | TBD | TBD | TBD |
| Per Line Blocking For Non-Pub Customers | NOBNR | TBD | TBD | TBD |
| Call Return Denial Of, Per Activation | BCR | TBD | TBD | TBD |
| Repeat Dialing, Denial Of, Per Activation | BRD | TBD | TBD | TBD |
| Automatic Line/Direct Connect | M6GN9 | TBD | TBD | TBD |
| Make Set Busy | M6MPD | TBD | TBD | TBD |
| Selective Call Acceptance | M6K16 | TBD | TBD | TBD |
| Call Park/Call Retrieve | M6HP6 | TBD | TBD | TBD |
| Call Transfer System Exception | M6QTD | TBD | TBD | TBD |
| Make Set Busy - Intragroup | M6MGD | TBD | TBD | TBD |
| All Customized Code Restrictions | CREX+ | TBD | TBD | TBD |
| Additional Listings | CLT | TBD | TBD | TBD |
| Additional Listing No Rate | FLT | TBD | TBD | TBD |
| Cross Reference Listing | LLT | TBD | TBD | TBD |
| Non-Pub Listing No Rate | NP3 | TBD | TBD | TBD |
| Non-List Listing | NLT | TBD | TBD | TBD |

BELLSOUTH/Atciel RATES NETWORK ELEMENTS
AND OTHER SERVICES
PORTS

Attachment 2
Exhibit C
Rates - Page 40
Exhibit A

| DESCRIPTION | USOC | FL | GA | TN |
|--|-------|-------------|-------------|-------------|
| Non-List Listing No Rate | NLE | TBD | TBD | TBD |
| Alternate Call Listing | FNA | TBD | TBD | TBD |
| Manual Service Order Charge | SOMAN | TBD | TBD | TBD |
| All Selective Class Of Call Screening | SRG++ | TBD | TBD | TBD |
| ISDN Message Waiting Indication-Lamp, per month | | NA | NA | NA |
| NRC | | NA | NA | NA |
| NRC - Disconnect | | NA | NA | NA |
| ISDN Feature Function Buttons | | NA | NA | NA |
| NRC | | NA | NA | NA |
| NRC - Disconnect | | NA | NA | NA |
| Subsequent Ordering Charge - (per order, per line) | | NA | NA | |
| NRC - Electronic - 1st | | NA | NA | NA |
| NRC - Electronic - Add'l | | NA | NA | NA |
| NRC - Manual - 1st | | NA | NA | NA |
| NRC - Manual - Add'l | | NA | NA | NA |
| NRC - Disconnect | | NA | NA | NA |
| Unbundled Port Usage Charges | | | | |
| End Office Switching (Port Usage) | | | | |
| End Office Switching Function, per mou | N/A | \$0.0008846 | \$0.0016333 | \$0.0008 |
| End Office Interoffice Trunk Port—Shared, per mou | N/A | \$0.0001893 | \$0.0001564 | NA |
| Tandem Switching (Port Usage) (Local or Access Tandem) | | | | |
| Tandem Switching Function per mou | N/A | \$0.0001522 | \$0.0006757 | \$0.000978 |
| Tandem Interoffice Trunk Port - Shared per mou | | \$0.0002713 | \$0.0002126 | NA |
| Common (Shared) Transport | | | | |
| Common (Shared) Transport per mile per mou | N/A | \$0.0000039 | \$0.000008 | \$0.0000064 |
| Common (Shared) Transport Facilities Termination per mou | N/A | \$0.0004579 | \$0.0004152 | \$0.0003871 |
| NOTES: | | | | |
| Interim rates subject to true-up. | | | | |
| 1 Port rate includes all available features. | | | | |
| 2 Transmission/usage charges associated with POTS circuit switched usage will also apply to circuit switched voice and/or circuit switched data transmission by B-Channels associated with 2-wire ISDN ports. | | | | |
| 3 Access to B Channel or D Channel Packet capabilities will be available only through BFR/New Business Request Process. Rates for the packet capabilities will be determined via the Bona Fide Request/New Business Request Process. | | | | |
| 4 This rate element is for those states which have a specific rate for User Profile per B Channel. | | | | |
| 5 This rate element is for use in those states with a different rate for additional minutes of use. | | | | |
| 6 Rates in TN and FL are interim and shall be true-up when final rates are ordered. | | | | |

BELLSOUTH/CLEC-1 RATES
NETWORK ELEMENTS
AND OTHER SERVICES
TRANSPORT

| | USOC | FL | GA | TN |
|---|--------|------------|----------|----------|
| UNBUNDLED DEDICATED TRANSPORT - Local Channel | | | | |
| Local Channel - Dedicated - 2-Wire VG | | | | |
| 2-wire VG per mile | 1L5NC | \$0.00 | \$0.00 | \$0.00 |
| 2-wire VG Monthly Recurring per month | ULDV2 | \$29.33 | \$13.91 | \$19.02 |
| NRC - 2-wire VG - 1st | ULDV2 | \$386.34 | \$382.95 | \$199.33 |
| NRC - 2-wire VG - Add'l | ULDV2 | \$66.36 | \$62.40 | \$24.16 |
| NRC - 2-Wire VG - Disconnect Chg - 1st | ULDV2 | \$67.91 | NA | \$54.81 |
| NRC - 2-Wire VG - Disconnect Chg - Add'l | ULDV2 | \$5.92 | NA | \$4.80 |
| NRC - Manual Svc Order, per LSR | SOMAN | \$21.56 | NA | \$19.99 |
| NRC - Manual Svc Order, per LSR disconnect | SOMAN | \$3.84 | NA | NA |
| NRC - Electronic Svc Order, per LSR | SOMECE | \$2.75 | \$3.50 | \$3.50 |
| NRC - Electronic Svc Order, per LSR disconnect | SOMECE | \$0.42 | NA | NA |
| NRC - 2-Wire VG - Incremental Charge--Manual Svc Order - 1st | SOMAN | NA | \$18.94 | NA |
| NRC - 2-Wire VG - Incremental Charge--Manual Svc Order - Add'l | SOMAN | NA | \$8.42 | NA |
| NRC - 2-Wire VG - Incremental Charge--Manual Svc Order-Disconnect | SOMAN | NA | NA | NA |
| Local Channel - Dedicated - 2-Wire VG Rev. Bat. | | | | |
| 2-wire VG per mile | 1L5NC | \$0.00 | \$0.00 | \$0.00 |
| 2-wire VG Monthly Recurring per month | ULDR2 | \$29.33 | \$13.91 | \$19.02 |
| NRC - 2-wire VG - 1st | ULDR2 | \$3,865.34 | \$382.95 | \$199.33 |
| NRC - 2-wire VG - Add'l | ULDR2 | \$66.36 | \$62.40 | \$24.16 |
| NRC - 2-Wire VG - Disconnect Chg - 1st | ULDR2 | \$67.91 | NA | \$54.81 |
| NRC - 2-Wire VG - Disconnect Chg - Add'l | ULDR2 | \$5.92 | NA | \$4.80 |
| NRC - Manual Svc Order, per LSR | SOMAN | \$21.56 | NA | \$19.99 |
| NRC - Manual Svc Order, per LSR disconnect | SOMAN | \$3.84 | NA | NA |
| NRC - Electronic Svc Order, per LSR | SOMECE | \$2.75 | \$3.50 | \$3.50 |
| NRC - Electronic Svc Order, per LSR disconnect | SOMECE | \$0.42 | NA | NA |
| NRC - 2-Wire VG - Incremental Charge--Manual Svc Order - 1st | SOMAN | NA | \$18.94 | NA |
| NRC - 2-Wire VG - Incremental Charge--Manual Svc Order - Add'l | SOMAN | NA | \$8.42 | NA |
| NRC - 2-Wire VG - Incremental Charge--Manual Svc Order-Disconnect | SOMAN | NA | NA | NA |
| Local Channel - Dedicated - 4-Wire VG | | | | |
| 4-wire VG per mile | 1L5NC | \$0.00 | \$0.00 | \$0.00 |
| 4-wire VG Monthly Recurring per month | ULDV4 | \$30.50 | \$14.99 | \$20.14 |
| NRC - 4-Wire VG - 1st | ULDV4 | \$387.21 | \$368.44 | \$201.53 |
| NRC - 4-Wire VG - Add'l | ULDV4 | \$67.22 | NA | \$24.83 |
| NRC - 4-Wire VG - Disconnect Chg - 1st | ULDV4 | \$68.78 | NA | \$55.52 |
| NRC - 4-Wire VG - Disconnect Chg - Add'l | ULDV4 | \$6.79 | NA | \$5.51 |
| NRC - Manual Svc Order, per LSR | SOMAN | \$21.56 | NA | \$19.99 |
| NRC - Manual Svc Order, per LSR disconnect | SOMAN | \$3.84 | NA | NA |
| NRC - Electronic Svc Order, per LSR | SOMECE | \$2.75 | \$3.50 | \$3.50 |
| NRC - Electronic Svc Order, per LSR disconnect | SOMECE | \$0.42 | NA | NA |
| NRC - 4-Wire VG - Incremental Charge--Manual Svc Order - 1st | SOMAN | NA | \$18.94 | NA |
| NRC - 4-Wire VG - Incremental Charge--Manual Svc Order - Add'l | SOMAN | NA | \$8.42 | NA |
| NRC - 4-Wire VG - Incremental Charge--Manual Svc Order-Disconnect | SOMAN | NA | NA | NA |
| Local Channel - Dedicated - DS1 | | | | |
| DS1 per mile | 1L5NC | \$0.00 | \$0.00 | \$0.00 |
| DS1 per month | ULDF1 | \$43.53 | \$38.36 | \$40.27 |
| NRC - DS1 - 1st | ULDF1 | \$242.45 | \$356.15 | \$277.35 |
| NRC - DS1 - Add'l | ULDF1 | \$226.44 | \$312.89 | \$233.26 |
| NRC - DS1 - Disconnect Chg - 1st | ULDF1 | \$41.13 | \$122.31 | \$33.18 |
| NRC - DS1 - Disconnect Chg - Add'l | ULDF1 | \$28.28 | \$119.14 | \$22.30 |
| NRC - Manual Svc Order, per LSR | SOMAN | \$21.56 | NA | \$19.99 |
| NRC - Manual Svc Order, per LSR disconnect | SOMAN | \$3.84 | NA | NA |
| NRC - Electronic Svc Order, per LSR | SOMECE | \$2.75 | \$3.50 | \$3.50 |

BELLSOUTH/CLEC-1 RATES
NETWORK ELEMENTS
AND OTHER SERVICES
TRANSPORT

| | | | | | |
|--|--|-------|------------|------------|------------|
| | NRC - Electronic Svc Order, per LSR disconnect | SOMEK | \$0.42 | NA | NA |
| | NRC - DS1 - Incremental Charge - Manual Svc Order - 1st | SOMAN | NA | \$44.22 | NA |
| | NRC - DS1 - Incremental Charge - Manual Svc Order - Add'l | SOMAN | NA | NA | NA |
| | NRC - DS1 - Incremental Charge - Manual Svc Order - Disconnect | SOMAN | NA | \$18.03 | NA |
| | Local Channel - Dedicated - DS3 | | | | |
| | DS3 - per mile per month | 1LSNC | \$9.16 | \$6.92 | \$23.76 |
| | DS3 - Facility Termination per month | ULDF3 | \$558.27 | \$515.91 | \$607.28 |
| | NRC - DS3 - Facility Termination - 1st | ULDF3 | \$903.37 | \$639.50 | \$726.16 |
| | NRC - DS3 - Facility Termination - Add'l | ULDF3 | \$528.05 | \$426.31 | \$411.64 |
| | NRC - DS3 - Facility Termination - Disconnect - 1st | ULDF3 | \$221.46 | \$122.31 | \$103.36 |
| | NRC - DS3 - Facility Termination - Disconnect - Add'l | ULDF3 | \$154.90 | \$119.14 | \$100.59 |
| | NRC - Manual Svc Order, per LSR | SOMAN | \$21.58 | NA | \$19.99 |
| | NRC - Manual Svc Order, per LSR disconnect | SOMAN | \$3.84 | NA | NA |
| | NRC - Electronic Svc Order, per LSR | SOMEK | \$2.75 | \$3.50 | \$3.50 |
| | NRC - Electronic Svc Order, per LSR disconnect | SOMEK | \$0.42 | NA | NA |
| | NRC - DS3 - Incremental Charge - Manual Svc Order - 1st | SOMAN | NA | \$37.55 | NA |
| | NRC - DS3 - Incremental Charge - Manual Svc Order - Add'l | SOMAN | NA | \$37.55 | NA |
| | NRC - DS3 - Incremental Charge - Manual Svc Order - Disconnect - 1st | SOMAN | NA | \$18.03 | NA |
| | NRC - DS3 - Incremental Charge - Manual Svc Order - Disconnect - Add'l | SOMAN | NA | \$18.03 | NA |
| | Local Channel - Dedicated - STS-1 | | | | |
| | STS-1 - per mile per month | 1LSNC | \$9.16 | \$6.92 | \$25.11 |
| | STS-1 - Facility Termination per month | ULDFS | \$565.48 | \$517.56 | \$615.65 |
| | NRC - STS-1 - Facility Termination - 1st | ULDFS | \$903.37 | \$639.50 | \$1,085.73 |
| | NRC - STS-1 - Facility Termination - Add'l | ULDFS | \$528.05 | \$426.40 | \$683.01 |
| | NRC - STS-1 - Facility Termination - Disconnect - 1st | ULDFS | \$221.46 | \$122.31 | \$103.36 |
| | NRC - STS-1 - Facility Termination - Disconnect - Add'l | ULDFS | \$154.90 | \$119.14 | \$100.59 |
| | NRC - Manual Svc Order, per LSR | SOMAN | \$21.58 | NA | \$19.99 |
| | NRC - Manual Svc Order, per LSR disconnect | SOMAN | \$3.84 | NA | NA |
| | NRC - Electronic Svc Order, per LSR | SOMEK | \$2.75 | \$3.50 | \$3.50 |
| | NRC - Electronic Svc Order, per LSR disconnect | SOMEK | \$0.42 | NA | NA |
| | NRC - STS-1 - Incremental Charge - Manual Svc Order - 1st | SOMAN | NA | \$37.55 | NA |
| | NRC - STS-1 - Incremental Charge - Manual Svc Order - Add'l | SOMAN | NA | \$37.55 | NA |
| | NRC - STS-1 - Incremental Charge - Manual Svc Order - Disconnect - 1st | SOMAN | NA | \$18.03 | NA |
| | NRC - STS-1 - Incremental Charge - Manual Svc Order - Disconnect - Add'l | SOMAN | NA | \$18.03 | NA |
| | Local Channel - Dedicated - OC3 | | | | |
| | OC3 per mile per month | 1LSNC | \$8.93 | \$5.82 | \$19.95 |
| | OC3 Facility Termination per month | | \$648.80 | \$914.22 | \$1,263 |
| | NRC - OC3 - Facility Termination - 1st | | \$986.45 | \$947.69 | \$1,050 |
| | NRC - OC3 - Facility Termination - Add'l | | \$408.85 | \$413.00 | \$411.64 |
| | NRC - OC3 - Facility Termination - Disconnect Chg - 1st | | \$11.58 | \$122.31 | \$103.36 |
| | NRC - OC3 - Facility Termination - Disconnect Chg - Add'l | | \$108.34 | \$119.14 | \$100.59 |
| | NRC - Manual Svc Order, per LSR | SOMAN | \$21.58 | NA | \$19.99 |
| | NRC - Manual Svc Order, per LSR disconnect | SOMAN | \$3.84 | NA | NA |
| | NRC - Electronic Svc Order, per LSR | SOMEK | \$2.75 | \$3.50 | \$3.50 |
| | NRC - Electronic Svc Order, per LSR disconnect | SOMEK | \$0.42 | NA | NA |
| | NRC - OC3 - Incremental Charge - Manual Svc Order - 1st | SOMAN | NA | \$37.55 | NA |
| | NRC - OC3 - Incremental Charge - Manual Svc Order - Add'l | SOMAN | NA | \$37.55 | NA |
| | NRC - OC3 - Incremental Charge - Manual Svc Order - Disconnect - 1st | SOMAN | NA | \$18.03 | NA |
| | NRC - OC3 - Incremental Charge - Manual Svc Order - Disconnect - Add'l | SOMAN | NA | \$18.03 | NA |
| | Local Channel - Dedicated - OC12 | | | | |
| | OC12 per mile per month | 1LSNC | \$2,053.06 | \$8.31 | \$28.51 |
| | OC12 Facility Termination per month | | \$1,183.46 | \$3,185.00 | \$7,158 |

BELLSOUTH/CLEC-1 RATES
NETWORK ELEMENTS
AND OTHER SERVICES
TRANSPORT

| | | | | | |
|--|--|-------|------------|------------|----------|
| | | | | | |
| | NRC - OC12 - Facility Termination - 1st | | \$408.85 | \$1,162.00 | \$1,276 |
| | NRC - OC12 - Facility Termination - Add'l | | \$111.56 | \$413.00 | \$411.64 |
| | NRC - OC12 - Facility Termination - Disconnect Chg - 1st | | \$108.34 | \$122.31 | \$103.36 |
| | NRC - OC12 - Facility Termination - Disconnect Chg - Add'l | | \$21.56 | \$119.14 | \$100.59 |
| | NRC - Manual Svc Order, per LSR | SOMAN | \$3.84 | NA | \$19.99 |
| | NRC - Manual Svc Order, per LSR disconnect | SOMAN | \$2.75 | NA | NA |
| | NRC - Electronic Svc Order, per LSR | SOMEK | \$0.42 | \$3.50 | \$3.50 |
| | NRC - Electronic Svc Order, per LSR disconnect | SOMEK | \$0.43 | NA | NA |
| | NRC - OC12 - Incremental Charge-Manual Svc Order - 1st | SOMAN | NA | \$37.55 | NA |
| | NRC - OC12 - Incremental Charge-Manual Svc Order - Add'l | SOMAN | NA | \$37.55 | NA |
| | NRC - OC12 - Incremental Charge-Manual Svc Order-Disconnect-1st | SOMAN | NA | \$18.03 | NA |
| | NRC - OC12 - Incremental Charge-Manual Svc Order-Disconnect-Add'l | SOMAN | NA | \$18.03 | NA |
| | | | | | |
| | Local Channel - Dedicated - OC48 | | | | |
| | OC48 per mile per month | 1LSNC | \$36.04 | \$27.25 | \$93.50 |
| | OC48 Facility Termination per month | | \$1,685.97 | \$1,671 | \$1,853 |
| | OC48 - Interface OC12 on OC48 per month | | \$587.71 | \$558.07 | \$572.61 |
| | NRC - OC48 - Facility Termination - 1st | | \$1,183.46 | \$1,162.00 | \$1,276 |
| | NRC - OC48 - Facility Termination - Add'l | | \$408.85 | \$413.00 | \$411.64 |
| | NRC - OC48 - Interface OC12 on OC48 - 1st | | \$543.72 | \$539.36 | \$544.55 |
| | NRC - OC48 - Interface OC12 on OC48 - Add'l | | \$312.05 | \$317.38 | \$311.39 |
| | NRC - OC48 - Facility Termination - Disconnect Chg - 1st | | \$111.56 | \$122.31 | \$103.36 |
| | NRC - OC48 - Facility Termination - Disconnect Chg - Add'l | | \$108.34 | \$119.14 | \$100.59 |
| | NRC - OC48 - Interface OC12 on OC48 - Disconnect Chg - 1st | | \$111.56 | \$122.31 | \$103.36 |
| | NRC - OC48 - Interface OC12 on OC48 - Disconnect Chg - Add'l | | \$108.34 | \$119.14 | \$100.59 |
| | NRC - Manual Svc Order, per LSR | SOMAN | \$21.56 | NA | \$19.99 |
| | NRC - Manual Svc Order, per LSR disconnect | SOMAN | \$3.84 | NA | NA |
| | NRC - Electronic Svc Order, per LSR | SOMEK | \$2.75 | \$3.50 | \$3.50 |
| | NRC - Electronic Svc Order, per LSR disconnect | SOMEK | \$0.42 | NA | NA |
| | NRC - OC48 - Incremental Charge-Manual Svc Order - 1st | SOMAN | NA | \$37.55 | NA |
| | NRC - OC48 - Incremental Charge-Manual Svc Order - Add'l | SOMAN | NA | \$37.55 | NA |
| | NRC - OC48 - Interface-Incremental Cost-Manual Svc. Order vs. Electronic-1 | SOMAN | NA | \$37.55 | NA |
| | NRC - OC48 - Interface-Incremental Cost-Manual Svc. Order vs. Electronic-A | SOMAN | NA | \$37.55 | NA |
| | NRC - OC48 - Incremental Charge-Manual Svc Order-Disconnect-1st | SOMAN | NA | \$18.03 | NA |
| | NRC - OC48 - Incremental Charge-Manual Svc Order-Disconnect-Add'l | SOMAN | NA | \$18.03 | NA |
| | NRC - OC48 - Interface-Incremental Cost-Manual Svc. Order vs. Electronic-D | SOMAN | NA | \$18.03 | NA |
| | NRC - OC48 - Interface-Incremental Cost-Manual Svc. Order vs. Electronic-0 | SOMAN | NA | \$18.03 | NA |
| | | | | | |
| | UNBUNDLED DEDICATED TRANSPORT - Interoffice Channel | | | | |
| | Interoffice Transport - Dedicated - 2-wire VG | | | | |
| | 2-Wire VG - per mile per month | 1LSXX | \$0.0098 | \$0.0222 | \$0.0173 |
| | 2-Wire VG - Facility Termination per month | U1TV2 | \$26.52 | \$17.07 | \$18.33 |
| | NRC - 2-wire VG - Facility Termination -1st | U1TV2 | \$81.09 | \$79.61 | \$55.39 |
| | NRC - 2-wire VG - Facility Termination - Add'l | U1TV2 | \$54.83 | \$36.08 | \$17.37 |
| | NRC - 2-wire VG - Facility Termination - Disconnect Charge - 1st | U1TV2 | \$31.01 | NA | \$27.98 |
| | NRC - 2-wire VG - Facility Termination - Disconnect Charge - Add'l | U1TV2 | \$12.78 | NA | \$3.51 |
| | NRC - Manual Svc Order, per LSR | SOMAN | \$21.56 | NA | \$19.99 |
| | NRC - Manual Svc Order, per LSR disconnect | SOMAN | \$3.84 | NA | NA |
| | NRC - Electronic Svc Order, per LSR | SOMEK | \$2.75 | \$3.50 | \$3.50 |
| | NRC - Electronic Svc Order, per LSR disconnect | SOMEK | \$0.42 | NA | NA |
| | NRC - 2-wire VG - Incremental Charge-Manual Svc Order - 1st | SOMAN | NA | \$18.94 | NA |
| | NRC - 2-wire VG - Incremental Charge-Manual Svc Order - Add'l | SOMAN | NA | \$18.94 | NA |
| | NRC - 2-wire VG - Incremental Charge-Manual Svc Order-Disconnect--1st | SOMAN | NA | NA | NA |
| | NRC - 2-wire VG - Incremental Charge-Manual Svc Order-Disconnect-Add'l | SOMAN | NA | NA | NA |
| | | | | | |
| | Interoffice Transport - Dedicated - 2-wire VG - Flew Bat | | | | |

BELLSOUTH/CLEC-1 RATES
NETWORK ELEMENTS
AND OTHER SERVICES
TRANSPORT

| | | | | |
|--|-------|------------|-------------|-----------|
| 2-Wire VG - per mile per month | 1L5XX | \$0.0098 | \$0.0222 | \$0.0173 |
| 2-Wire VG - Facility Termination per month | U1TR2 | \$26.52 | \$17.07 | \$18.33 |
| NRC - 2-wire VG - Facility Termination - 1st | U1TR2 | \$81.09 | \$79.61 | \$55.39 |
| NRC - 2-wire VG - Facility Termination - Add'l | U1TR2 | \$54.83 | \$36.08 | \$17.37 |
| NRC - 2-wire VG - Facility Termination - Disconnect Charge - 1st | U1TR2 | \$31.01 | NA | \$27.96 |
| NRC - 2-wire VG - Facility Termination - Disconnect Charge - Add'l | U1TR2 | \$12.78 | NA | \$3.51 |
| NRC - Manual Svc Order, per LSR | SOMAN | \$21.56 | NA | \$19.99 |
| NRC - Manual Svc Order, per LSR disconnect | SOMAN | \$3.84 | NA | NA |
| NRC - Electronic Svc Order, per LSR | SOMEK | \$2.75 | \$3.50 | \$3.50 |
| NRC - Electronic Svc Order, per LSR disconnect | SOMEK | \$0.42 | NA | NA |
| NRC - 2-wire VG - Incremental Charge - Manual Svc Order - 1st | SOMAN | NA | \$18.94 | NA |
| NRC - 2-wire VG - Incremental Charge - Manual Svc Order - Add'l | SOMAN | NA | \$18.94 | NA |
| NRC - 2-wire VG - Incremental Charge - Manual Svc Order - Disconnect - 1st | SOMAN | NA | NA | NA |
| NRC - 2-wire VG - Incremental Charge - Manual Svc Order - Disconnect - Add'l | SOMAN | NA | NA | NA |
| Common (Shared) Transport per mile per mou | NA | \$0.000012 | \$0.000008 | \$0.00004 |
| Common (Shared) Transport Facilities Termination per mou | NA | \$0.0005 | \$0.0004152 | \$0.00036 |
| Interoffice Transport - Dedicated - 4-wire VG | | | | |
| 4-Wire VG - per mile per month | 1L5XX | \$0.0098 | NA | NA |
| 4-Wire VG - Facility Termination per month | U1TV4 | \$23.64 | NA | NA |
| NRC - 4-wire VG - Facility Termination - 1st | U1TV4 | \$81.09 | NA | NA |
| NRC - 4-wire VG - Facility Termination - Add'l | U1TV4 | \$54.83 | NA | NA |
| NRC - 4-wire VG - Facility Termination - Disconnect Charge - 1st | U1TV4 | \$31.01 | NA | NA |
| NRC - 4-wire VG - Facility Termination - Disconnect Charge - Add'l | U1TV4 | \$12.78 | NA | NA |
| NRC - Manual Svc Order, per LSR | SOMAN | \$21.56 | NA | NA |
| NRC - Manual Svc Order, per LSR disconnect | SOMAN | \$3.84 | NA | NA |
| NRC - Electronic Svc Order, per LSR | SOMEK | \$2.77 | NA | NA |
| NRC - Electronic Svc Order, per LSR disconnect | SOMEK | \$0.42 | NA | NA |
| NRC - 4-wire VG - Incremental Charge - Manual Svc Order - 1st | SOMAN | NA | NA | NA |
| NRC - 4-wire VG - Incremental Charge - Manual Svc Order - Add'l | SOMAN | NA | NA | NA |
| NRC - 4-wire VG - Incremental Charge - Manual Svc Order - Disconnect - 1st | SOMAN | NA | NA | NA |
| NRC - 4-wire VG - Incremental Charge - Manual Svc Order - Disconnect - Add'l | SOMAN | NA | NA | NA |
| Interoffice Transport - Dedicated - DS0 - 56kbps | | | | |
| DS0 - per mile per month | 1L5XX | \$0.0098 | \$0.0222 | \$0.1730 |
| DS0 - Facility Termination per month | U1TD5 | \$19.31 | \$16.45 | \$17.74 |
| NRC - DS0 - Facility Termination - 1st | U1TD5 | \$81.11 | \$79.61 | \$55.39 |
| NRC - DS0 - Facility Termination - Add'l | U1TD5 | \$54.83 | \$36.08 | \$17.37 |
| NRC - DS0 - Facility Termination - Disconnect Charge - 1st | U1TD5 | \$31.01 | NA | \$27.96 |
| NRC - DS0 - Facility Termination - Disconnect Charge - Add'l | U1TD5 | \$12.78 | NA | \$3.51 |
| NRC - Manual Svc Order, per LSR | SOMAN | \$21.56 | NA | \$19.99 |
| NRC - Manual Svc Order, per LSR disconnect | SOMAN | \$3.84 | NA | NA |
| NRC - Electronic Svc Order, per LSR | SOMEK | \$2.77 | \$3.50 | \$3.50 |
| NRC - Electronic Svc Order, per LSR disconnect | SOMEK | \$0.42 | NA | NA |
| NRC - DS0 - Incremental Charge - Manual Svc Order - 1st | SOMAN | NA | \$18.94 | NA |
| NRC - DS0 - Incremental Charge - Manual Svc Order - Add'l | SOMAN | NA | \$18.94 | NA |
| NRC - DS0 - Incremental Charge - Manual Svc Order - Disconnect - 1st | SOMAN | NA | NA | NA |
| NRC - DS0 - Incremental Charge - Manual Svc Order - Disconnect - Add'l | SOMAN | NA | NA | NA |
| Interoffice Transport - Dedicated - DS0 - 64 kbps | | | | |
| DS0 - per mile per month | 1L5XX | \$0.0098 | \$0.0222 | \$0.1730 |
| DS0 - Facility Termination per month | U1TD6 | \$19.31 | \$16.45 | \$17.74 |
| NRC - DS0 - Facility Termination - 1st | U1TD6 | \$81.11 | \$79.61 | \$55.39 |
| NRC - DS0 - Facility Termination - Add'l | U1TD6 | \$54.83 | \$36.08 | \$17.37 |

BELLSOUTHCLEC-1 RATES
NETWORK ELEMENTS
AND OTHER SERVICES
TRANSPORT

Attachment 2
Exhibit C
Rates - Page 45

| | | | | | | |
|--|--|-------|------------|----------|----------|--|
| | NRC - DS0 - Facility Termination - Disconnect Charge - 1st | U1TD6 | \$31.01 | NA | \$27.96 | |
| | NRC - DS0 - Facility Termination - Disconnect Charge - Add'l | U1TD6 | \$12.78 | NA | \$3.51 | |
| | NRC - Manual Svc Order, per LSR | SOMAN | \$21.56 | NA | \$19.99 | |
| | NRC - Manual Svc Order, per LSR disconnect | SOMAN | \$3.84 | NA | NA | |
| | NRC - Electronic Svc Order, per LSR | SOMEK | \$2.77 | \$3.50 | \$3.50 | |
| | NRC - Electronic Svc Order, per LSR disconnect | SOMEK | \$0.42 | NA | NA | |
| | NRC - DS0 - Incremental Charge - Manual Svc Order - 1st | SOMAN | NA | \$18.94 | NA | |
| | NRC - DS0 - Incremental Charge - Manual Svc Order - Add'l | SOMAN | NA | \$18.94 | NA | |
| | NRC - DS0 - Incremental Charge - Manual Svc Order - Disconnect - 1st | SOMAN | NA | NA | NA | |
| | NRC - DS0 - Incremental Charge - Manual Svc Order - Disconnect - Add'l | SOMAN | NA | NA | NA | |
| | Interoffice Transport - Dedicated - DS1 | | | | | |
| | DS1 - per mile per month | 1L5XX | \$0.6013 | \$0.4523 | \$0.3525 | |
| | DS1 - Facility Termination per month | U1TF1 | \$69.79 | \$78.47 | \$75.83 | |
| | NRC - DS1 - Facility Termination - 1st | U1TF1 | \$45.91 | \$147.07 | \$145.98 | |
| | NRC - DS1 - Facility Termination - Add'l | U1TF1 | \$44.18 | \$111.75 | \$109.85 | |
| | NRC - DS1 - Facility Termination - Disconnect Charge - 1st | U1TF1 | \$30.30 | NA | \$19.55 | |
| | NRC - DS1 - Facility Termination - Disconnect Charge - Add'l | U1TF1 | \$28.76 | NA | \$14.99 | |
| | NRC - Manual Svc Order, per LSR | SOMAN | \$21.56 | NA | \$19.99 | |
| | NRC - Manual Svc Order, per LSR disconnect | SOMAN | \$3.84 | NA | NA | |
| | NRC - Electronic Svc Order, per LSR | SOMEK | \$2.77 | \$3.50 | \$3.50 | |
| | NRC - Electronic Svc Order, per LSR disconnect | SOMEK | \$0.42 | NA | NA | |
| | NRC - DS1 - Incremental Charge - Manual Svc Order - 1st | SOMAN | NA | \$18.94 | NA | |
| | NRC - DS1 - Incremental Charge - Manual Svc Order - Add'l | SOMAN | NA | \$18.94 | NA | |
| | NRC - DS1 - Incremental Charge - Manual Svc Order - Disconnect - 1st | SOMAN | NA | NA | NA | |
| | NRC - DS1 - Incremental Charge - Manual Svc Order - Disconnect - Add'l | SOMAN | NA | NA | NA | |
| | Interoffice Transport - Dedicated - DS3 | | | | | |
| | DS3 - per mile per month | 1L5XX | \$4.17 | \$2.75 | \$5.89 | |
| | DS3 - Facility Termination per month | U1TF3 | \$1,121.93 | \$789.00 | \$760.20 | |
| | NRC - DS3 - Facility Termination - 1st | U1TF3 | \$557.69 | \$511.10 | \$625.91 | |
| | NRC - DS3 - Facility Termination - Add'l | U1TF3 | \$325.61 | \$330.77 | \$311.39 | |
| | NRC - DS3 - Facility Termination - Disconnect Charge - 1st | U1TF3 | \$111.56 | \$122.31 | \$103.36 | |
| | NRC - DS3 - Facility Termination - Disconnect Charge - Add'l | U1TF3 | \$108.34 | \$119.14 | \$100.59 | |
| | NRC - Manual Svc Order, per LSR | SOMAN | \$21.56 | NA | \$19.99 | |
| | NRC - Manual Svc Order, per LSR disconnect | SOMAN | \$3.84 | NA | NA | |
| | NRC - Electronic Svc Order, per LSR | SOMEK | \$2.77 | \$3.50 | \$3.50 | |
| | NRC - Electronic Svc Order, per LSR disconnect | SOMEK | \$0.42 | NA | NA | |
| | NRC - DS3 - Incremental Charge - Manual Svc Order - 1st | SOMAN | NA | \$37.96 | NA | |
| | NRC - DS3 - Incremental Charge - Manual Svc Order - Add'l | SOMAN | NA | \$37.96 | NA | |
| | NRC - DS3 - Incremental Charge - Manual Svc Order - Disconnect - 1st | SOMAN | NA | \$18.23 | NA | |
| | NRC - DS3 - Incremental Charge - Manual Svc Order - Disconnect - Add'l | SOMAN | NA | \$18.23 | NA | |
| | Interoffice Transport - Dedicated - STS-1 | | | | | |
| | STS-1 - per mile per month | 1L5XX | \$4.17 | \$2.72 | \$6.88 | |
| | STS-1 - Facility Termination per month | U1TFS | \$1,105.98 | \$783.63 | \$838.65 | |
| | NRC - STS-1 - Facility Termination - 1st | U1TFS | \$557.69 | \$449.91 | \$658.26 | |
| | NRC - STS-1 - Facility Termination - Add'l | U1TFS | \$325.61 | \$119.14 | \$525.25 | |
| | NRC - STS-1 - Facility Termination - Disconnect Charge - 1st | U1TFS | \$111.56 | \$137.17 | \$103.36 | |
| | NRC - STS-1 - Facility Termination - Disconnect Charge - Add'l | U1TFS | \$108.34 | \$119.14 | \$100.59 | |
| | NRC - Manual Svc Order, per LSR | SOMAN | \$21.56 | NA | \$19.99 | |
| | NRC - Manual Svc Order, per LSR disconnect | SOMAN | \$3.84 | NA | NA | |
| | NRC - Electronic Svc Order, per LSR | SOMEK | \$2.77 | \$3.50 | \$3.50 | |
| | NRC - Electronic Svc Order, per LSR disconnect | SOMEK | \$0.43 | NA | NA | |
| | NRC - STS-1 - Incremental Charge - Manual Svc Order - 1st | SOMAN | NA | \$61.19 | NA | |
| | NRC - STS-1 - Incremental Charge - Manual Svc Order - Add'l | SOMAN | NA | \$61.19 | NA | |

BELLSOUTH/CLEC-1 RATES
 NETWORK ELEMENTS
 AND OTHER SERVICES
 TRANSPORT

| | | | | | |
|--|--|-------|-------------|-------------|----------|
| | NRC - DS3 - Incremental Charge--Manual Svc Order-Disconnect--1st | SOMAN | NA | \$3.17 | NA |
| | NRC - DS3 - Incremental Charge--Manual Svc Order-Disconnect--Add'l | SOMAN | NA | \$3.17 | NA |
| | Interoffice Transport - Dedicated - OC3 | | | | |
| | OC3 -per mile per month | 1L5XX | \$8.24 | \$4.37 | \$13.45 |
| | OC3 -Facility Termination per month | | \$3,020.08 | \$2,187.00 | \$2,124 |
| | NRC - OC-3 -Facility Termination - 1st | | \$889.65 | \$819.29 | \$950.10 |
| | NRC - OC-3 -Facility Termination - Add'l | | \$312.05 | \$317.38 | \$311.39 |
| | NRC - OC-3 -Facility Termination - Disconnect Charge - 1st | | \$111.56 | \$122.31 | \$103.36 |
| | NRC - OC-3 -Facility Termination - Disconnect Charge - Add'l | | \$108.34 | \$119.14 | \$100.59 |
| | NRC - Manual Svc Order, per LSR | SOMAN | \$21.56 | NA | \$19.99 |
| | NRC - Manual Svc Order, per LSR disconnect | SOMAN | \$3.84 | NA | NA |
| | NRC - Electronic Svc Order, per LSR | SOMEK | \$2.77 | \$3.50 | \$3.50 |
| | NRC - Electronic Svc Order, per LSR disconnect | SOMEK | \$0.43 | NA | NA |
| | NRC - OC3 - Incremental Cost - Manual Svc Order vs. Electronic-1st | SOMAN | NA | \$37.55 | NA |
| | NRC - OC3 - Incremental Cost - Manual Svc Order vs. Electronic-Add'l | SOMAN | NA | \$37.55 | NA |
| | NRC - OC3 - Incremental Cost - Manual Svc Order vs. Electronic-Disconnect-1st | SOMAN | NA | \$18.03 | NA |
| | NRC - OC3 - Incremental Cost - Manual Svc Order vs. Electronic-Disconnect-Add'l | SOMAN | NA | \$18.03 | NA |
| | Interoffice Transport - Dedicated - OC12 | | | | |
| | OC12 -per mile per month | 1L5XX | \$26.45 | \$15.05 | \$49.80 |
| | OC12 -Facility Termination | | \$11,589.14 | \$8,202.00 | \$8,015 |
| | NRC - OC12 -Facility Termination - 1st | | \$1,088.66 | \$1,034.00 | \$1,178 |
| | NRC - OC12 -Facility Termination - Add'l | | \$312.05 | \$317.38 | \$311.39 |
| | NRC - OC12 -Facility Termination - Disconnect Chg - 1st | | \$111.56 | \$122.31 | \$103.36 |
| | NRC - OC12 -Facility Termination - Disconnect Chg - Add'l | | \$108.34 | \$119.14 | \$100.59 |
| | NRC - Manual Svc Order, per LSR | SOMAN | \$21.56 | NA | \$19.99 |
| | NRC - Manual Svc Order, per LSR disconnect | SOMAN | \$3.84 | NA | NA |
| | NRC - Electronic Svc Order, per LSR | SOMEK | \$2.77 | \$3.50 | \$3.50 |
| | NRC - Electronic Svc Order, per LSR disconnect | SOMEK | \$0.43 | NA | NA |
| | NRC - OC12 - Incremental Cost - Manual Svc Order vs. Electronic-1st | SOMAN | NA | \$37.55 | NA |
| | NRC - OC12 - Incremental Cost - Manual Svc Order vs. Electronic-Add'l | SOMAN | NA | \$37.55 | NA |
| | NRC - OC12 - Incremental Cost - Manual Svc Order vs. Elect-Disconnect-1st | SOMAN | NA | \$18.03 | NA |
| | NRC - OC12 - Incremental Cost - Manual Svc Order vs. Elect-Disconnect-Add'l | SOMAN | NA | \$18.03 | NA |
| | Interoffice Transport - Dedicated - OC48 | | | | |
| | OC48 -per mile per month | 1L5XX | \$34.07 | \$25.70 | \$106.55 |
| | OC48 -Facility Termination per month | | \$12,480.76 | \$11,134.00 | \$11,632 |
| | OC48 -per Interface OC12 on OC48 per month | | \$1,199.42 | \$1,137.00 | \$1,170 |
| | NRC - OC48 -Facility Termination - 1st | | \$1,086.66 | \$1,034.00 | \$1,178 |
| | NRC - OC48 -Facility Termination - Add'l | | \$312.05 | \$317.38 | \$311.39 |
| | NRC - OC48 -Interface OC12 on OC48 - 1st | | \$543.72 | \$539.36 | \$544.55 |
| | NRC - OC48 -Interface OC12 on OC48 - Add'l | | \$312.05 | \$317.38 | \$311.39 |
| | NRC - OC48 -Facility Termination - Disconnect Chg - 1st | | \$111.56 | \$122.31 | \$103.36 |
| | NRC - OC48 -Facility Termination - Disconnect Chg - Add'l | | \$108.34 | \$119.14 | \$100.59 |
| | NRC - OC48 -Interface OC12 on OC48 - Disconnect - 1st | | \$111.56 | \$122.31 | \$103.36 |
| | NRC - OC48 -Interface OC12 on OC48 - Disconnect - Add'l | | \$108.34 | \$119.14 | \$100.59 |
| | NRC - Manual Svc Order, per LSR | SOMAN | \$21.56 | NA | \$19.99 |
| | NRC - Manual Svc Order, per LSR disconnect | SOMAN | \$3.84 | NA | NA |
| | NRC - Electronic Svc Order, per LSR | SOMEK | \$2.77 | \$3.50 | \$3.50 |
| | NRC - Electronic Svc Order, per LSR disconnect | SOMEK | \$0.43 | NA | NA |
| | NRC - OC48 - Incremental Cost - Manual Svc Order vs. Electronic-1st | SOMAN | NA | \$37.55 | NA |
| | NRC - OC48 - Incremental Cost - Manual Svc Order vs. Electronic-Add'l | SOMAN | NA | \$37.55 | NA |
| | NRC - OC48 -Interface - Incremental Cost - Manual Svc Order vs. Electronic-1st | SOMAN | NA | \$37.55 | NA |
| | NRC - OC48 -Interface - Incremental Cost - Manual Svc Order vs. Electronic-Add'l | SOMAN | NA | \$37.55 | NA |
| | NRC - OC48 -Interface - Incremental Cost - Manual Svc Order vs. Elect-Disconnect-1st | SOMAN | NA | \$18.03 | NA |

BELLSOUTH/CLEC-1 RATES
NETWORK ELEMENTS
AND OTHER SERVICES
TRANSPORT

| | | | | | |
|--|--|-------|------------|------------|------------|
| | NRC - OC48 - Incremental Cost - Manual Svc. Order vs. Elect-Disconnect-Addl | SOMAN | NA | \$18.03 | NA |
| | NRC - OC48-Interface-Incremental Cost-Manual Svc. Order vs. Elec-Disconne | SOMAN | NA | \$18.03 | NA |
| | NRC - OC48-Interface-Incremental Cost-Manual Svc. Order vs. Elec-Disconne | SOMAN | NA | \$18.03 | NA |
| UNBUNDLED CHANNELIZATION | | | | | |
| DS3 Channelization (DS3 to DS1) | | | | | |
| | per Channelized System (28 DS1) per month | MQ3 | \$220.97 | \$182.04 | \$222.98 |
| | NRC - 1st | MQ3 | \$356.40 | \$265.91 | \$265.08 |
| | NRC - Add'l | MQ3 | \$188.00 | \$188.78 | \$185.94 |
| | NRC -1st - Disconnect | MQ3 | \$61.64 | \$72.50 | \$61.09 |
| | NRC -Add'l - Disconnect | MQ3 | \$58.98 | \$59.98 | \$50.31 |
| | per interface per month (COCI) | UC1D1 | \$14.40 | \$11.02 | \$3.91 |
| | NRC - 1st | UC1D1 | \$13.18 | \$12.02 | \$12.61 |
| | NRC - Add'l | UC1D1 | \$9.43 | \$8.66 | \$9.03 |
| | NRC - Manual Svc Order, per LSR | SOMAN | \$21.56 | NA | \$19.99 |
| | NRC - Manual Svc Order, per LSR disconnect | SOMAN | \$3.84 | NA | NA |
| | NRC - Electronic Svc Order, per LSR | SOMEK | \$2.77 | \$3.50 | \$3.50 |
| | NRC - Electronic Svc Order, per LSR disconnect | SOMEK | \$0.43 | NA | NA |
| | Channel System - Incremental Cost - Manual Svc. Order vs. Electronic -1st | SOMAN | NA | \$14.75 | \$21.71 |
| | Channel System - Incremental Cost - Manual Svc. Order vs. Electronic -Add'l | SOMAN | NA | \$6.55 | \$10.46 |
| | Incremental Cost-Manual Svc. Order vs. Elect -Disconnect - 1st | SOMAN | NA | \$10.60 | \$14.21 |
| | Incremental Cost-Manual Svc. Order vs. Elect -Disconnect - Add'l | SOMAN | NA | NA | \$1.48 |
| DS1 Channelization (DS1 to DS0) | | | | | |
| | per Channelized System (24 DS0) per month | MQ1 | \$153.60 | \$126.22 | \$165.21 |
| | NRC - 1st | MQ1 | \$182.14 | \$198.22 | \$197.21 |
| | NRC - Add'l | MQ1 | \$125.18 | \$123.59 | \$119.99 |
| | NRC -1st - Disconnect | MQ1 | \$19.52 | \$31.03 | \$25.66 |
| | NRC -Add'l - Disconnect | MQ1 | \$18.14 | \$19.75 | \$15.81 |
| | - Interface (COCI) | | | | |
| | per OCU-OP(data) card per month (2.4-64kbs) | 1D1DD | \$2.20 | \$1.86 | \$2.46 |
| | NRC - 1st | 1D1DD | \$13.18 | \$12.02 | \$12.61 |
| | NRC - Add'l | 1D1DD | \$9.43 | \$8.66 | \$9.03 |
| | per BRITE card per month | UC1CA | \$3.83 | \$3.71 | \$3.33 |
| | NRC - 1st | UC1CA | \$13.18 | \$12.02 | \$12.61 |
| | NRC - Add'l | UC1CA | \$9.43 | \$8.66 | \$9.03 |
| | per VG card per month (DS0) | 1D1VG | \$1.45 | \$1.17 | \$1.25 |
| | NRC - 1st | 1D1VG | \$13.18 | \$12.02 | \$12.61 |
| | NRC - Add'l | 1D1VG | \$9.43 | \$8.66 | \$9.03 |
| | NRC - Manual Svc Order, per LSR | SOMAN | \$21.56 | NA | \$19.99 |
| | NRC - Manual Svc Order, per LSR disconnect | SOMAN | \$3.84 | NA | NA |
| | NRC - Electronic Svc Order, per LSR | SOMEK | \$2.77 | \$3.50 | \$3.50 |
| | NRC - Electronic Svc Order, per LSR disconnect | SOMAN | \$0.43 | NA | NA |
| | Channel System - Incremental Cost - Manual Svc. Order vs. Electronic -1st | SOMAN | NA | \$14.75 | \$25.66 |
| | Channel System - Incremental Cost - Manual Svc. Order vs. Electronic -Add'l | SOMAN | NA | \$6.55 | \$15.81 |
| | Incremental Cost-Manual Svc. Order vs. Elect -Disconnect - 1st | SOMAN | NA | \$10.70 | \$14.21 |
| | Incremental Cost-Manual Svc. Order vs. Elect -Disconnect - Add'l | SOMAN | NA | \$0.00 | \$1.48 |
| UNBUNDLED DARK FIBER | | | | | |
| | Dark Fiber - Interoffice (four fiber strands) per route mile or fraction thereof, per mo | 1L5DF | \$28.82 | \$24.96 | \$28.60 |
| | NRC - Per each four-fiber dark fiber arrangement - 1st | UDF14 | \$1,278.62 | \$1,737.00 | \$1,742.00 |
| | NRC - Per each four-fiber dark fiber arrangement - Add'l | UDF14 | \$275.82 | \$562.39 | \$564.08 |
| | NRC -Disconnect--1st | UDF14 | \$587.64 | NA | NA |
| | NRC -Disconnect--Add'l | UDF14 | \$366.34 | NA | NA |
| | Dark Fiber - Local Channel(four fiber strands) per route mile or fraction thereof, per | 1L5DC | \$58.35 | \$54.63 | \$60.08 |

BELLSOUTHCLEC-1 RATES
 NETWORK ELEMENTS
 AND OTHER SERVICES
 TRANSPORT

| | | | | | | |
|--|--|--|-------|------------|------------|------------|
| | | | | | | |
| | | NRC - Per each four-fiber dark fiber arrangement - 1st | UDFC4 | \$1,278.62 | \$1,737.00 | \$1,742.00 |
| | | NRC - Per each four-fiber dark fiber arrangement - Add'l | UDFC4 | \$275.82 | \$562.39 | \$564.08 |
| | | NRC -Disconnect--1st | UDFC4 | \$587.64 | NA | NA |
| | | NRC -Disconnect--Add'l | UDFC4 | \$366.34 | NA | NA |
| | | | | | | |
| | | Dark Fiber - Local Loop (four fiber strands) per route mile or fraction thereof, per m | 1L5DL | \$58.96 | \$54.63 | \$60.06 |
| | | NRC - Per each four-fiber dark fiber arrangement - 1st | UDFL4 | \$1,278.62 | \$1,737.00 | \$1,742.00 |
| | | NRC - Per each four-fiber dark fiber arrangement - Add'l | UDFL4 | \$275.82 | \$562.39 | \$564.08 |
| | | NRC -Disconnect--1st | UDFL4 | \$587.64 | NA | NA |
| | | NRC -Disconnect--Add'l | UDFL4 | \$366.34 | NA | NA |
| | | | | | | |
| | | | | | | |
| | | NOTES: | | | | |
| | | Interim rates subject to true-up. | | | | |
| | | | | | | |

BELLSOUTH/Actual RATES
NETWORK ELEMENTS
AND OTHER SERVICES
LOOP/PORT COMBINATIONS

Attachment 2
Exhibit C
Rates Page 49
Exhibit A

| DESCRIPTION | USOC | FL | GA | TN |
|--|-------|--------------------------------------|---------|-----------|
| | | | | |
| | | | | |
| | | Oriando, Fl. Lauderdale, Miami | Atlanta | Nashville |
| Customers with 4 or more D60 Equivalent | | | | |
| Currently Combined (Notes) | | | | |
| 2-Wire Voice Grade Loop with 2-Wire Line Port (Res. and Bus.) | | | | |
| 2-Wire Voice Grade Line Port (Res.), per month | | | | |
| 2-wire voice unbundled port - residence | UEPRL | \$14.00 | \$14.00 | \$14.00 |
| 2-wire voice unbundled port with caller ID - residence | UEPRC | \$14.00 | \$14.00 | \$14.00 |
| 2-wire voice unbundled port outgoing only - residence | UEPRO | \$14.00 | \$14.00 | \$14.00 |
| 2-wire voice grade unbundled Alabama extended local dialing party port with caller ID | UEPAR | NA | NA | NA |
| 2-wire voice grade unbundled Kentucky extended local dialing party port with caller ID | UEPRM | NA | NA | NA |
| 2-wire voice grade unbundled Louisiana extended local dialing party port with caller ID | UEPAS | NA | NA | NA |
| 2-wire voice grade unbundled Mississippi extended local dialing party port with caller ID | UEPAT | NA | NA | NA |
| 2-wire voice grade unbundled South Carolina extended local dialing party port with caller ID | UEPAU | NA | NA | NA |
| 2-wire voice grade unbundled Tennessee extended local dialing party port with caller ID | UEPAQ | NA | NA | \$14.00 |
| 2-wire voice unbundled Florida area calling with caller ID - residence | UEPAF | \$14.00 | NA | NA |
| 2-wire voice unbundled Louisiana Area Plus with caller ID - residence (RUL) | UEPAG | NA | NA | NA |
| 2-wire voice unbundled Louisiana Area Plus with caller ID - residence (ACT) | UEPAH | NA | NA | NA |
| 2-wire voice unbundled South Carolina Area Calling port with Caller ID - residence (LW6) | UEPAJ | NA | NA | NA |
| 2-wire voice unbundled Tennessee Area Calling port with Caller ID - residence (F2R) | UEPAK | NA | NA | \$14.00 |
| 2-wire voice unbundled Tennessee Area Calling port with Caller ID - residence (TACER) | UEPAL | NA | NA | \$14.00 |
| 2-wire voice unbundled Tennessee Area Calling port with Caller ID - residence (TACSR) | UEPAM | NA | NA | \$14.00 |
| 2-wire voice unbundled Tennessee Area Calling port with Caller ID - residence (1MF2X) | UEPAN | NA | NA | \$14.00 |
| 2-wire voice unbundled Tennessee Area Calling port with Caller ID - residence (2MR) | UEPAO | NA | NA | \$14.00 |
| 2-wire voice unbundled res. low usage line port with Caller ID (LJM) | UEPAP | \$14.00 | \$14.00 | \$14.00 |
| 2-Wire Voice Grade Line Port (Bus.), per month | | | | |
| 2-wire voice unbundled port without Caller ID | UEPBL | \$14.00 | \$14.00 | \$14.00 |
| 2-wire voice unbundled port with unbundled port with Caller+E484 ID | UEPBC | \$14.00 | \$14.00 | \$14.00 |
| 2-wire voice unbundled outgoing only port | UEPBO | \$14.00 | \$14.00 | \$14.00 |
| 2-wire voice grade unbundled Alabama extended local dialing party port with caller ID | UEPAW | NA | NA | NA |
| 2-wire voice grade unbundled Kentucky extended local dialing party port with caller ID | UEPBM | NA | NA | NA |
| 2-wire voice grade unbundled Louisiana extended local dialing party port with caller ID | UEPAX | NA | NA | NA |
| 2-wire voice grade unbundled Mississippi extended local dialing party port with caller ID | UEPAY | NA | NA | NA |
| 2-wire voice grade unbundled South Carolina extended local dialing party port with caller ID | UEPAZ | NA | NA | NA |
| 2-wire voice grade unbundled Tennessee extended local dialing party port with caller ID | UEPAV | NA | NA | \$14.00 |
| 2-wire voice unbundled incoming only port with Caller ID | UEPB1 | \$14.00 | \$14.00 | \$14.00 |

BELLSOUTH/Actual RATES
NETWORK ELEMENTS
AND OTHER SERVICES
LOOP/PORT COMBINATIONS

| DESCRIPTION | USOC | FL | GA | TN |
|---|--------|---------|---------|---------|
| 2-wire voice unbundled LA Bus Area Calling Port with Caller ID (BUC) | UEPAA | NA | NA | NA |
| 2-wire voice unbundled SC Bus Area Calling Port with Caller ID (LMB) | UEPAB | NA | NA | NA |
| 2-wire voice unbundled TN Bus 2-Way Area Calling Port Economy Option (TACC1) | UEPAC | NA | NA | \$14 00 |
| 2-wire voice unbundled TN Bus 2-Way Area Calling Port Standard Option (TACC2) | UEPAD | NA | NA | \$14 00 |
| 2-wire voice unbundled TN Bus 2-WAY Collierville and Memphis Local Calling Port (B2F) | UEPAE | NA | NA | \$14 00 |
| 2-Wire Voice Grade Loop (SL1) (Res. and Bus.) | | | | |
| RC - 2-Wire Voice Grade Loop - Statewide | UEPLX | NA | NA | NA |
| RC - 2-Wire Voice Grade Loop Zone 1 | UEPLX | \$14 90 | \$10 80 | \$15 92 |
| RC - 2-Wire Voice Grade Loop Zone 2 | UEPLX | \$18 51 | \$12 47 | \$20 79 |
| RC - 2-Wire Voice Grade Loop Zone 3 | UEPLX | \$24 25 | \$19 83 | \$27 18 |
| Combination Rates | | | | |
| RC - 2-Wire Voice Grade Loop with 2-Wire Line Port, Statewide | Note 6 | NA | NA | NA |
| RC - 2-Wire Voice Grade Loop with 2-Wire Line Port, Zone 1 (Note 6) | Note 6 | \$28 90 | \$24 80 | \$29 92 |
| RC - 2-Wire Voice Grade Loop with 2-Wire Line Port, Zone 2 (Note 6) | Note 6 | \$32 51 | \$26 47 | \$34 79 |
| RC - 2-Wire Voice Grade Loop with 2-Wire Line Port, Zone 3 (Note 6) | Note 6 | \$38 25 | \$33 83 | \$41 18 |
| Nonrecurring Charges | | | | |
| 2-Wire Voice Grade Line Port (Res. And Bus.) | | | | |
| NRC - 2-wire voice grade unbundled port/loop combination - 1st, with change | | \$41 50 | \$41 50 | \$41 50 |
| NRC - 2-wire voice grade unbundled port/loop combination - Add'l, with change | | \$41 50 | \$41 50 | \$41 50 |
| NRC - 2-wire voice grade unbundled port/loop combination - 1st, no change | | \$41 50 | \$41 50 | \$41 50 |
| NRC - 2-wire voice grade unbundled port/loop combination - Add'l, no change | | \$41 50 | \$41 50 | \$41 50 |
| NRC - 2-Wire Voice Grade Loop/Line Port Combination - Subsequent | | \$10 00 | \$10 00 | \$10 00 |
| NRC - 2-Wire Voice Grade Loop/Line Port Combination - OSS LSR Charge, Electronic, per LSR received from the CLEC by one of the OSS interactive interfaces | SOMEK | \$2 75 | \$3 50 | \$3 50 |
| NRC - 2-Wire Voice Grade Loop/Line Port Combination - Incremental Cost - Manual Svc Order vs. Electronic - 1st | SOMAN | \$21 56 | \$33 76 | \$30 89 |
| NRC - 2-Wire Voice Grade Loop/Line Port Combination - Incremental Cost - Manual Svc Order vs. Electronic - Add'l | SOMAN | \$21 56 | \$7 86 | \$7 03 |
| NRC - 2 Wire Voice Grade Loop/Line Port Combination - Subsequent Database Update Electronic | | TBD | TBD | TBD |
| NRC - 2 Wire Voice Grade Loop/Line Port Combination - Subsequent Database Update Manual Service Order | | TBD | TBD | TBD |
| NRC - Electronic Service Order Disconnect | | \$0 42 | NA | NA |
| NRC - Incremental Manual Service Order Disconnect | | \$3 84 | \$20 00 | \$20 00 |
| | | | | |
| 2-Wire Voice Grade Loop with 2-Wire Line Port PBX | | | | |
| 2-Wire Analog Line Port (PBX), per month | | | | |
| 2 WIRE VOICE UNBUNDLED COMBINATION 2-WAY PBX TRUNK - Residence | UEPRD | \$14 00 | \$14 00 | \$14 00 |
| LINE SIDE UNBUNDLED COMBINATION 2-WAY PBX TRUNK - BUSINESS | UEPPC | \$14 00 | \$14 00 | \$14 00 |
| LINE SIDE UNBUNDLED OUTWARD PBX TRUNK - BUSINESS | UEPPO | \$14 00 | \$14 00 | \$14 00 |
| LINE SIDE UNBUNDLED INCOMING PBX TRUNK - BUSINESS | UEPP1 | \$14 00 | \$14 00 | \$14 00 |
| 2-WIRE VOICE UNBUNDLED 2-WAY COMBINATION PBX ALABAMA CALLING PORT | UEPA2 | NA | NA | NA |
| 2-WIRE VOICE UNBUNDLED 2-WAY COMBINATION PBX LOUISIANA CALLING PORT | UEPL2 | NA | NA | NA |
| 2-WIRE VOICE UNBUNDLED PBX LD TERMINAL PORTS | UEPLD | \$14 00 | \$14 00 | \$14 00 |
| 2-WIRE VOICE UNBUNDLED 2-WAY COMBINATION PBX TENNESSEE CALLING PORT | UEPT2 | NA | NA | \$14 00 |

BELLSOUTH/ACTIV RATES
NETWORK ELEMENTS
AND OTHER SERVICES
LOOP/PORT COMBINATIONS

Attachment 2
Exhibit C
Rates Page 51
Exhibit A

| DESCRIPTION | USOC | FL | GA | TN |
|---|--------|---------|---------|---------|
| 2-WIRE VOICE UNBUNDLED 1-WAY OUTGOING PBX TENNESSEE CALLING PORT | UEPTO | NA | NA | \$14.00 |
| 2-WIRE VOICE UNBUNDLED 2-WAY COMBINATION PBX USAGE PORT | UEPXA | \$14.00 | \$14.00 | \$14.00 |
| 2-WIRE VOICE UNBUNDLED PBX TOLL TERMINAL HOTEL PORTS | UEPXB | \$14.00 | \$14.00 | \$14.00 |
| 2-WIRE VOICE UNBUNDLED PBX LD DDD TERMINALS PORT | UEPXC | \$14.00 | \$14.00 | \$14.00 |
| 2-WIRE VOICE UNBUNDLED PBX LD TERMINAL SWITCHBOARD PORT | UEPXD | \$14.00 | \$14.00 | \$14.00 |
| 2-WIRE VOICE UNBUNDLED PBX LD TERMINAL SWITCHBOARD IDO CAPABLE PORT | UEPXE | \$14.00 | \$14.00 | \$14.00 |
| 2-WIRE VOICE UNBUNDLED 2-WAY PBX KENTUCKY ROOM AREA CALLING PORT WITHOUT LUD | UEPXF | NA | NA | NA |
| 2-WIRE VOICE UNBUNDLED PBX KENTUCKY LUD AREA CALLING PORT | UEPXG | NA | NA | NA |
| 2-WIRE VOICE UNBUNDLED PBX KENTUCKY PREMIUM CALLING PORT | UEPXH | NA | NA | NA |
| 2-WIRE VOICE UNBUNDLED 2-WAY KENTUCKY AREA CALLING PORT WITHOUT LUD | UEPXJ | NA | NA | NA |
| 2-WIRE VOICE UNBUNDLED 2-WAY PBX LOUISIANA LOCAL OPTIONAL CALLING PORT | UEPKK | NA | NA | NA |
| 2-WIRE VOICE UNBUNDLED 2-WAY PBX HOTEL/HOSPITAL ECONOMY ADMINISTRATIVE CALLING PORT | UEPXL | \$14.00 | \$14.00 | \$14.00 |
| 2-WIRE VOICE UNBUNDLED 2-WAY PBX HOTEL/HOSPITAL ECONOMY ROOM CALLING PORT | UEPXM | \$14.00 | \$14.00 | \$14.00 |
| 2-WIRE VOICE UNBUNDLED 1-WAY OUTGOING PBX HOTEL/HOSPITAL ECONOMY ADMINISTRATIVE CALLING PORT TENNESSEE CALLING PORT | UEPXN | NA | NA | \$14.00 |
| 2-WIRE VOICE UNBUNDLED 1-WAY OUTGOING PBX HOTEL/HOSPITAL DISCOUNT ROOM CALLING PORT | UEPXO | \$14.00 | \$14.00 | \$14.00 |
| 2-WIRE VOICE UNBUNDLED 1-WAY OUTGOING PBX LOUISIANA LOCAL DISCOUNT CALLING PORT | UEPXP | NA | NA | NA |
| 2-WIRE VOICE UNBUNDLED 2-WAY PBX MISSISSIPPI LOCAL ECONOMY CALLING PORT | UEPXQ | NA | NA | NA |
| 2-WIRE VOICE UNBUNDLED 2-WAY PBX MISSISSIPPI LOCAL OPTIONAL CALLING PORT | UEPXR | NA | NA | NA |
| 2-WIRE VOICE UNBUNDLED 1-WAY OUTGOING PBX MEASURED PORT | UEPXS | \$14.00 | \$14.00 | \$14.00 |
| 2-WIRE VOICE UNBUNDLED 2-WAY PBX SOUTH CAROLINA AREA PLUS CALLING PORT | UEPXT | NA | NA | NA |
| 2-WIRE VOICE UNBUNDLED PBX COLLIERVILLE & MEMPHIS CALLING PORT | UEPXU | NA | NA | \$14.00 |
| 2-WIRE VOICE UNBUNDLED 2-WAY PBX TENNESSEE REGIONSERV CALLING PORT | UEPXV | NA | NA | \$14.00 |
| LOCAL NUMBER PORTABILITY (REQUIRES ONE PER PORT) | LNPCP | | | |
| 2-Wire Voice Grade Loop (BL1) | | | | |
| RC - 2 - Wire Voice Grade Loop - Statewide | UEPLX | NA | NA | NA |
| RC - 2 - Wire Voice Grade Loop - Zone 1 | UEPLX | \$14.90 | \$10.80 | \$15.92 |
| RC - 2 - Wire Voice Grade Loop - Zone 2 | UEPLX | \$18.51 | \$12.47 | \$20.79 |
| RC - 2 - Wire Voice Grade Loop - Zone 3 | UEPLX | \$24.25 | \$19.83 | \$27.18 |
| RC - 2 - Wire Voice Grade Loop - Zone 4 | UEPLX | NA | NA | NA |
| Combination Rates | | | | |
| RC - 2 - Wire Voice Grade Loop with 2-Wire Line Port, Statewide | Note 8 | NA | NA | NA |
| RC - 2 - Wire Voice Grade Loop with 2-Wire Line Port, Zone 1 (Note 6) | Note 8 | \$28.90 | \$24.80 | \$29.92 |
| RC - 2 - Wire Voice Grade Loop with 2-Wire Line Port, Zone 2 (Note 6) | Note 8 | \$32.51 | \$26.47 | \$34.79 |
| RC - 2 - Wire Voice Grade Loop with 2-Wire Line Port, Zone 3 (Note 6) | Note 8 | \$38.25 | \$33.63 | \$41.18 |
| Nonrecurring Charges | | | | |
| NRC - 2 - wire voice grade unbundled port/loop combination - 1st, with change | | \$41.50 | \$41.50 | \$41.50 |
| NRC - 2 - wire voice grade unbundled port/loop combination - Add'l, with change | | \$41.50 | \$41.50 | \$41.50 |
| NRC - 2 - wire voice grade unbundled port/loop combination - 1st, no change | | \$41.50 | \$41.50 | \$41.50 |
| NRC - 2 - wire voice grade unbundled port/loop combination - Add'l, no change | * | \$41.50 | \$41.50 | \$41.50 |

BELLSOUTH/Actel RATES
 NETWORK ELEMENTS
 AND OTHER SERVICES
 LOOP/PORT COMBINATIONS

Attachment 2
 Exhibit C
 Rates Page 52
 Exhibit A

| DESCRIPTION | USOC | FL | GA | TN |
|--|-------|---------|---------|---------|
| NRC - 2-Wire Voice Grade Loop/Line Port Combination - Subsequent | | \$10 00 | \$10 00 | \$10 00 |
| NRC - 2-Wire Voice Grade Loop/Line Port Combination - OSS LSR Charge, Electronic, per LSR received from the CLEC by one of the OSS interactive interfaces (Note 7) | SOMEK | \$2 75 | \$3 50 | \$3 50 |
| NRC - 2-Wire Voice Grade Loop/Line Port Combination - Incremental Cost - Manual Svc.Order vs. Electronic - 1st | SOMAN | \$21 56 | \$33 67 | \$30 89 |
| NRC - 2-Wire Voice Grade Loop/Line Port Combination - Incremental Cost - Manual Svc.Order vs. Electronic - Addtl | SOMAN | \$21 56 | \$7 88 | \$7 03 |
| NRC- 2 Wire Voice Grade Loop/Line Port Combination - Subsequent Database Update Electronic | | TBD | TBD | TBD |
| NRC- 2 Wire Voice Grade Loop/Line Port Combination - Subsequent Database Update Manual Service Order | | TBD | TBD | TBD |
| NRC - Electronic Service Order Disconnect | | \$0.42 | NA | NA |
| NRC - Incremental Manual Service Order Disconnect | | \$3.84 | \$20.00 | \$20 00 |
| Currently Combined | | | | |
| 2-Wire Voice Grade Loop with 2-Wire Line Port | | | | |
| 2-Wire Voice Grade Line Port (Res.), per month | | | | |
| 2-wire voice unbundled port - residence | UEPRL | \$1.35 | \$1 79 | \$4 54 |
| 2-wire voice unbundled port with caller ID - residence | UEPRC | \$1.35 | \$1 79 | \$4 54 |
| 2-wire voice unbundled port outgoing only - residence | UEPRO | \$1.35 | \$1 79 | \$4 54 |
| 2-wire voice grade unbundled Alabama extended local dialing parity port with caller ID | UEPAR | NA | NA | NA |
| 2-wire voice grade unbundled Kentucky extended local dialing parity port with caller ID | UEPRM | NA | NA | NA |
| 2-wire voice grade unbundled Louisiana extended local dialing parity port with caller ID | UEPAS | NA | NA | NA |
| 2-wire voice grade unbundled Mississippi extended local dialing parity port with caller ID | UEPAT | NA | NA | NA |
| 2-wire voice grade unbundled South Carolina extended local dialing parity port with caller ID | UEPAU | NA | NA | NA |
| 2-wire voice grade unbundled Tennessee extended local dialing parity port with caller ID | UEPAQ | NA | NA | \$4 54 |
| 2-wire voice unbundled Florida area calling with caller ID - residence | UEPAF | \$1.35 | NA | NA |
| 2-wire voice unbundled Louisiana Area Plus with caller ID - residence (RUL) | UEPAG | NA | NA | NA |
| 2-wire voice unbundled Louisiana Area Plus with caller ID - residence (AC7) | UEPAH | NA | NA | NA |
| 2-wire voice unbundled South Carolina Area Calling port with Caller ID - residence (LWB) | UEPAJ | NA | NA | NA |
| 2-wire voice unbundled Tennessee Area Calling port with Caller ID - residence (F2R) | UEPAK | NA | NA | \$4 54 |
| 2-wire voice unbundled Tennessee Area Calling port with Caller ID - residence (TACER) | UEPAL | NA | NA | \$4 54 |
| 2-wire voice unbundled Tennessee Area Calling port with Caller ID - residence (TACSR) | UEPAM | NA | NA | \$4 54 |
| 2-wire voice unbundled Tennessee Area Calling port with Caller ID - residence (1MF2X) | UEPAN | NA | NA | \$4 54 |
| 2-wire voice unbundled Tennessee Area Calling port with Caller ID - residence (2MR) | UEPAO | NA | NA | \$4 54 |
| 2-wire voice unbundled res, low usage line port with Caller ID (LUM) | UEPAP | \$1 35 | \$1 79 | \$4 54 |
| 2-Wire Voice Grade Line Port (Bus.), per month | | | | |
| 2-wire voice unbundled port without Caller ID | UEPBL | \$1 35 | \$1 79 | \$4 54 |
| 2-wire voice unbundled port with unbundled port with Caller+E484 ID | UEPBC | \$1 35 | \$1 79 | \$4 54 |

BELLSOUTH/ACSL RATES
NETWORK ELEMENTS
AND OTHER SERVICES
LOOP/PORT COMBINATIONS

Attachment 2
Exhibit C
Rates - Page 53
Exhibit A

| DESCRIPTION | USOC | FL | GA | TN |
|--|--------|----------|----------|----------|
| 2-wire voice unbundled outgoing only port | UEPBO | \$1.35 | \$1.79 | \$4.54 |
| 2-wire voice grade unbundled Alabama extended local dialing parity port with caller ID | UEPAW | NA | NA | NA |
| 2-wire voice grade unbundled Kentucky extended local dialing parity port with caller ID | UEPBM | NA | NA | NA |
| 2-wire voice grade unbundled Louisiana extended local dialing parity port with caller ID | UEPAX | NA | NA | NA |
| 2-wire voice grade unbundled Mississippi extended local dialing parity port with caller ID | UEPAY | NA | NA | NA |
| 2-wire voice grade unbundled South Carolina extended local dialing parity port with caller ID | UEPAZ | NA | NA | NA |
| 2-wire voice grade unbundled Tennessee extended local dialing parity port with caller ID | UEPAV | NA | NA | \$4.54 |
| 2-wire voice unbundled incoming only port with Caller ID | UEPB1 | \$1.35 | \$1.79 | \$4.54 |
| 2-wire voice unbundled LA Bus Area Calling Port with Caller ID (BUC) | UEPAA | NA | NA | NA |
| 2-wire voice unbundled SC Bus Area Calling Port with Caller ID (LMB) | UEPAB | NA | NA | NA |
| 2-wire voice unbundled TN Bus 2-Way Area Calling Port Economy Option (TACC1) | UEPAC | NA | NA | \$4.54 |
| 2-wire voice unbundled TN Bus 2-Way Area Calling Port Standard Option (TACC2) | UEPAD | NA | NA | \$4.54 |
| 2-wire voice unbundled TN Bus 2-WAY Collierville and Memphis Local Calling Port (B2F) | UEPAE | NA | NA | \$4.54 |
| 2-Wire Voice Grade Loop (S1.1) | | | | |
| RC - 2-Wire Voice Grade Loop - Statewide | UEPLX | NA | NA | NA |
| RC - 2-Wire Voice Grade Loop - Zone 1 | UEPLX | \$14.90 | \$10.80 | \$12.48 |
| RC - 2-Wire Voice Grade Loop - Zone 2 | UEPLX | \$18.51 | \$12.47 | \$14.42 |
| RC - 2-Wire Voice Grade Loop - Zone 3 | UEPLX | \$24.26 | \$19.83 | \$21.77 |
| RC - 2-Wire Voice Grade Loop - Zone 4 | UEPLX | NA | NA | NA |
| Combination Rates | | | | |
| RC - 2-Wire Voice Grade Loop with 2-Wire Line Port, Statewide | Note 8 | NA | NA | NA |
| RC - 2-Wire Voice Grade Loop with 2-Wire Line Port, Zone 1 (Note 8) | Note 8 | \$16.25 | \$12.59 | \$17.02 |
| RC - 2-Wire Voice Grade Loop with 2-Wire Line Port, Zone 2 (Note 8) | Note 8 | \$19.66 | \$14.26 | \$18.96 |
| RC - 2-Wire Voice Grade Loop with 2-Wire Line Port, Zone 3 (Note 8) | Note 8 | \$25.60 | \$21.62 | \$26.31 |
| RC - 2-Wire Voice Grade Loop with 2-Wire Line Port, Zone 4 (Note 8) | Note 8 | NA | NA | NA |
| Nonrecurring Charges | | | | |
| NRC - 2-Wire Voice Grade Loop/Line Port Combination - 1st, Switch as is | USAC2 | \$0.1964 | \$2.01 | \$1.03 |
| NRC - 2-Wire Voice Grade Loop/Line Port Combination - Add'l, Switch as is | USAC2 | \$0.1964 | \$0.3108 | \$0.2686 |
| NRC - 2-Wire Voice Grade Loop/Line Port Combination - 1st, Switch with change | USACC | \$0.1964 | \$2.01 | \$1.03 |
| NRC - 2-Wire Voice Grade Loop/Line Port Combination - Add'l, Switch with change | USACC | \$0.1964 | \$0.3108 | \$0.2686 |
| NRC - 2-Wire Voice Grade Loop/Line Port Combination - Subsequent | USAS2 | \$10.00 | \$10.00 | \$10.00 |
| NRC - 2-Wire Voice Grade Loop/Line Port Combination - OSS LSR Charge, Electronic, per LSR received from the CLEC by one of the OSS interactive interfaces (Note 7) | SOMECC | \$2.75 | \$3.50 | \$3.50 |
| NRC - 2-Wire Voice Grade Loop/Line Port Combination - Incremental Cost - Manual Svc Order vs Electronic - 1st | SOMAN | \$21.56 | \$33.67 | \$30.89 |
| NRC - 2-Wire Voice Grade Loop/Line Port Combination - Incremental Cost - Manual Svc Order vs Electronic - Add'l | SOMAN | \$21.56 | \$7.66 | \$7.03 |
| NRC - 2-Wire Voice Grade Loop/Line Port Combination - Subsequent Database Update Electronic | | TBD | TBD | \$0.76 |
| NRC - 2-Wire Voice Grade Loop/Line Port Combination - Subsequent Database Update Manual Service Order | | TBD | TBD | \$7.97 |
| NRC - Electronic Service Order Disconnect | | \$0.42 | NA | NA |
| NRC - Incremental Manual Service Order Disconnect | | \$3.84 | \$20.00 | \$20.00 |
| NRCs for New (not currently combined) as ordered in Georgia: | | | | |
| NRC - 2-Wire Voice Grade Loop with 2-Wire Line Port - New - 1st | UEPRL | NA | \$22.14 | NA |
| NRC - 2-Wire Voice Grade Loop with 2-Wire Line Port - New - Add'l | UEPRL | NA | \$15.25 | NA |
| NRC - 2-Wire Voice Grade Loop with 2-Wire Line Port - New - 1st | UEPRC | NA | \$22.14 | NA |
| NRC - 2-Wire Voice Grade Loop with 2-Wire Line Port - New - Add'l | UEPRC | NA | \$15.25 | NA |

BELLSOUTH/ACSL RATES
NETWORK ELEMENTS
AND OTHER SERVICES
LOOP/PORT COMBINATIONS

Attachment 2
Exhibit C
Rates - Page 54
Exhibit A

| DESCRIPTION | USOC | FL | GA | TN |
|--|--------|---------|----------|---------|
| NRC - 2-Wire Voice Grade Loop with 2-Wire Line Port - New - 1st | UEPRO | NA | \$22.14 | NA |
| NRC - 2-Wire Voice Grade Loop with 2-Wire Line Port - New - Add'l | UEPRO | NA | \$15.25 | NA |
| NRC - 2-Wire Voice Grade Loop with 2-Wire Line Port - New - 1st | UEPAP | NA | \$22.14 | NA |
| NRC - 2-Wire Voice Grade Loop with 2-Wire Line Port - New - Add'l | UEPAP | NA | \$15.25 | NA |
| NRC - 2-Wire Voice Grade Loop with 2-Wire Line Port - New - 1st | UEPBL | NA | \$22.14 | NA |
| NRC - 2-Wire Voice Grade Loop with 2-Wire Line Port - New - Add'l | UEPBL | NA | \$15.25 | NA |
| NRC - 2-Wire Voice Grade Loop with 2-Wire Line Port - New - 1st | UEPBC | NA | \$22.14 | NA |
| NRC - 2-Wire Voice Grade Loop with 2-Wire Line Port - New - Add'l | UEPBC | NA | \$15.25 | NA |
| NRC - 2-Wire Voice Grade Loop with 2-Wire Line Port - New - 1st | UEPBO | NA | \$22.14 | NA |
| NRC - 2-Wire Voice Grade Loop with 2-Wire Line Port - New - Add'l | UEPBO | NA | \$15.25 | NA |
| NRC - 2-Wire Voice Grade Loop with 2-Wire Line Port - New - 1st | UEPB1 | NA | \$22.14 | NA |
| NRC - 2-Wire Voice Grade Loop with 2-Wire Line Port - New - Add'l | UEPB1 | NA | \$15.25 | NA |
| NRC - 2-Wire Voice Grade Loop/Line Port Combination - Subsequent | USAS2 | NA | \$10.00 | NA |
| NRC - 2-Wire Voice Grade Loop with 2-Wire Line Port - New - Disconnect - 1st | | NA | \$8.45 | NA |
| NRC - 2-Wire Voice Grade Loop with 2-Wire Line Port - New - Disconnect - Add'l | | NA | \$3.91 | NA |
| NRC - 2-Wire Voice Grade Loop/Line Port Combination - OSS LSR Charge, Electronic, per LSR received from the CLEC by one of the OSS interactive interfaces (Note 7) | SOMECS | NA | \$3.50 | NA |
| NRC - 2-Wire Voice Grade Loop with 2-Wire Line Port - Incremental Cost Manual vs. Electronic - New - 1st | | NA | \$37.06 | NA |
| NRC - 2-Wire Voice Grade Loop with 2-Wire Line Port - Incremental Cost Manual vs. Electronic - New - Add'l | | NA | \$8.19 | NA |
| NRC - 2 Wire Voice Grade Loop/Line Port Combination - Subsequent Database Update Electronic | | NA | TBD | NA |
| NRC - 2 Wire Voice Grade Loop/Line Port Combination - Subsequent Database Update Manual Service Order | | NA | TBD | NA |
| NRC - 2-Wire Voice Grade Loop with 2-Wire Line Port - Incremental Cost Manual vs. Electronic - New - Disconnect | | NA | \$11.17 | NA |
| 2-Wire Voice Grade Loop - Bus Only with 2-Wire DID Trunk Port | | | | |
| 2-Wire Line Port - DID Trunk Port, per month | UEPD1 | \$9.36 | \$11.35 | \$6.78 |
| 2-Wire Voice Grade Loop (SL2) | | | | |
| RC - 2-Wire Voice Grade Loop - Statewide | UECD1 | NA | NA | NA |
| RC - 2-Wire Voice Grade Loop - Zone 1 | UECD1 | \$18.48 | \$16.84 | \$9.60 |
| RC - 2-Wire Voice Grade Loop - Zone 2 | UECD1 | \$22.43 | \$19.45 | \$11.09 |
| RC - 2-Wire Voice Grade Loop - Zone 3 | UECD1 | \$27.87 | \$30.92 | \$16.74 |
| RC - 2-Wire Voice Grade Loop - Zone 4 | UECD1 | NA | NA | NA |
| Combination Rates | | | | |
| RC - 2-Wire Voice Grade Loop with 2-Wire DID Port, Statewide | Note 8 | NA | NA | NA |
| RC - 2-Wire Voice Grade Loop with 2-Wire DID Port, Zone 1 (Note 8) | Note 8 | \$27.84 | \$28.19 | \$18.38 |
| RC - 2-Wire Voice Grade Loop with 2-Wire DID Port, Zone 2 (Note 8) | Note 8 | \$31.79 | \$30.80 | \$19.87 |
| RC - 2-Wire Voice Grade Loop with 2-Wire DID Port, Zone 3 (Note 8) | Note 8 | \$37.23 | \$42.27 | \$25.52 |
| RC - 2-Wire Voice Grade Loop with 2-Wire DID Port, Zone 4 (Note 8) | Note 8 | NA | NA | NA |
| NRC - 2-Wire Voice Grade Loop with 2-Wire DID Port - Conversion - Switch As Is - 1st port | USAC1 | \$14.62 | \$166.06 | \$8.76 |
| NRC - 2-Wire Voice Grade Loop with 2-Wire DID Port - Conversion - Switch As Is Each Add'l Port | USAC1 | \$3.73 | \$140.01 | \$5.75 |
| NRC - 2-Wire Voice Grade Loop with 2-Wire DID Port - Conversion with changes - 1st port | USA1C | \$14.62 | \$166.06 | \$8.76 |
| NRC - 2-Wire Voice Grade Loop with 2-Wire DID Port - Conversion with changes - Each Add'l port | USA1C | \$3.73 | \$140.01 | \$5.75 |
| NRC - 2-Wire DID Subsequent Activity - Per Svc Order - Add Trunks, Per Trunk | USAS1 | \$53.57 | NA | NA |

BELLSOUTH/ACTW RATES
NETWORK ELEMENTS
AND OTHER SERVICES
LOOP/PORT COMBINATIONS

Attachment 2
Exhibit C
Rates - Page 55
Exhibit A

| DESCRIPTION | USOC | FL | GA | TN |
|--|--------|----------|----------|----------|
| NRC - 2-Wire Voice Grade Loop/Line Port Combination - OSS LSR Charge, Electronic, per LSR received from the CLEC by one of the OSS interactive interfaces (Note 7) | SOME C | \$2.75 | \$3.50 | \$3.50 |
| NRC - 2-Wire Voice Grade Loop with 2-Wire DID Port - Incremental Cost- Manual Service Order - 1st | SOMAN | \$21.56 | \$37.88 | \$41.43 |
| NRC - 2-Wire Voice Grade Loop with 2-Wire DID Port - Incremental Cost- Manual Service Order - Addl | SOMAN | \$21.56 | \$16.84 | \$9.80 |
| NRC - Electronic Service Order Disconnect | | \$0.42 | \$0.42 | \$0.42 |
| NRC - Incremental Manual Service Order Disconnect | | \$3.84 | \$20.00 | \$20.00 |
| Telephone Number/Trunk Group Establishment | | | | |
| DID Trunk Termination (one required per port) | NDT | \$0.00 | \$0.00 | \$0.00 |
| DID Numbers, Establish Trunk Group and Provide First Group of 20 DID Numbers (FL, GA, NC, & SC only) | NDZ | \$0.00 | \$0.00 | \$0.00 |
| DID Numbers, Establish Trunk Group and Provide First Group of 20 DID Numbers (AL, KY, LA, MS, & TN). In addition, Provides Additional DID Numbers for each Group of 20 DID Numbers (Valid in All States) | ND4 | \$0.00 | \$0.00 | \$0.00 |
| DID Numbers, non-consecutive | ND6 | \$0.00 | \$0.00 | \$0.00 |
| 2-Wire ISDN Digital Grade Loop with 2-wire ISDN Digital Port | | | | |
| 2-wire ISDN Digital Port per month | UEPPB | \$8.51 | \$13.47 | \$18.21 |
| 2-Wire ISDN Digital Grade Loop | | | | |
| RC - 2-Wire ISDN Digital Grade Loop - Statewide | USL2X | NA | NA | NA |
| RC - 2-Wire ISDN Digital Grade Loop - Zone 1 | USL2X | \$22.48 | \$21.89 | \$16.20 |
| RC - 2-Wire ISDN Digital Grade Loop - Zone 2 | USL2X | \$27.90 | \$25.27 | \$18.71 |
| RC - 2-Wire ISDN Digital Grade Loop - Zone 3 | USL2X | \$30.78 | \$40.17 | \$28.25 |
| RC - 2-Wire ISDN Digital Grade Loop - Zone 4 | USL2X | NA | NA | NA |
| Combination Rates | | | | |
| RC - 2-Wire ISDN Digital Grade Loop with 2-wire ISDN Digital Port - Statewide | Note 8 | NA | NA | NA |
| RC - 2-Wire ISDN Digital Grade Loop with 2-wire ISDN Digital Port - Zone 1 | Note 8 | \$30.99 | \$35.36 | \$34.41 |
| RC - 2-Wire ISDN Digital Grade Loop with 2-wire ISDN Digital Port - Zone 2 | Note 8 | \$36.41 | \$36.74 | \$36.92 |
| RC - 2-Wire ISDN Digital Grade Loop with 2-wire ISDN Digital Port - Zone 3 | Note 8 | \$39.30 | \$63.64 | \$46.46 |
| RC - 2-Wire ISDN Digital Grade Loop with 2-wire ISDN Digital Port - Zone 4 | Note 8 | NA | NA | NA |
| NRC - 2-Wire ISDN Digital Grade Loop/2-wire ISDN Digital Port - 1st conversion | USACB | \$86.79 | \$239.95 | \$117.23 |
| NRC - 2-Wire ISDN Digital Grade Loop/2-wire ISDN Digital Port - Addl conversion | USACB | \$54.04 | \$156.92 | \$117.23 |
| NRC - 2-Wire ISDN Digital Grade Loop/2-wire ISDN Digital Port - Non Feature Subsequent Activity | USASB | \$63.50 | \$63.50 | \$212.88 |
| NRC - 2-Wire Voice Grade Loop/Line Port Combination - OSS LSR Charge, Electronic, per LSR received from the CLEC by one of the OSS interactive interfaces (Note 7) | SOME C | \$2.75 | \$3.50 | \$3.50 |
| NRC - 2-Wire ISDN Digital Grade Loop/2-wire ISDN Digital Port - Incremental Cost- Manual Service Order - 1st | SOMAN | \$21.56 | \$19.99 | \$19.99 |
| NRC - 2-Wire ISDN Digital Grade Loop/2-wire ISDN Digital Port - Incremental Cost- Manual Service Order - Addl | SOMAN | \$21.56 | \$19.99 | \$19.99 |
| NRC - Electronic Service Order Disconnect | | \$0.42 | \$0.42 | \$0.42 |
| NRC - Incremental Manual Service Order Disconnect | | \$3.84 | \$20.00 | \$20.00 |
| 4 - Wire DS1 Digital Loop with 4 - Wire ISDN DS1 Digital Trunk Port | | | | |
| 4 - Wire ISDN DS1 Digital Trunk Port | UEPPP | \$95.39 | \$163.16 | \$78.40 |
| 4 - Wire DS1 Digital Loop | | | | |
| RC - 4 - Wire DS1 Digital Loop- Statewide | USL4P | NA | NA | NA |
| RC - 4 - Wire DS1 Digital Loop- Zone 1 | USL4P | \$92.48 | \$55.53 | \$57.73 |
| RC - 4 - Wire DS1 Digital Loop- Zone 2 | USL4P | \$119.68 | \$3.21 | \$75.40 |
| RC - 4 - Wire DS1 Digital Loop- Zone 3 | USL4P | \$194.70 | \$101.93 | \$98.59 |

BELLSOUTH Actel RATES
NETWORK ELEMENTS
AND OTHER SERVICES
LOOP/PORT COMBINATIONS

Attachment 2
Exhibit C
Rates Page 56
Exhibit A

| DESCRIPTION | USOC | FL | GA | TM |
|--|--------|----------|----------|----------|
| RC - 4-Wire DS1 Digital Loop - Zone 4 | USL4P | NA | NA | NA |
| Combination Rates | | | | |
| RC - 4-Wire DS1 Digital Loop with 4-wire ISDN DS1 Digital Port - Statewide | Note 8 | NA | NA | NA |
| RC - 4-Wire DS1 Digital Loop with 4-wire ISDN DS1 Digital Port - Zone 1 | Note 8 | \$187.87 | \$218.69 | \$136.13 |
| RC - 4-Wire DS1 Digital Loop with 4-wire ISDN DS1 Digital Port - Zone 2 | Note 8 | \$215.07 | \$227.29 | \$153.80 |
| RC - 4-Wire DS1 Digital Loop with 4-wire ISDN DS1 Digital Port - Zone 3 | Note 8 | \$290.08 | \$285.09 | \$178.99 |
| RC - 4-Wire DS1 Digital Loop with 4-wire ISDN DS1 Digital Port - Zone 4 | Note 8 | NA | NA | NA |
| Local Number Portability | | | | |
| Local Number Portability (1 per port) | LNPCN | \$1.75 | \$1.75 | \$1.75 |
| Interface (Provisioning Only) | | | | |
| Voice/Data | PR71V | \$0.00 | \$0.00 | \$0.00 |
| Digital Data | PR71D | \$0.00 | \$0.00 | \$0.00 |
| Inward Data | PR71E | \$0.00 | \$0.00 | \$0.00 |
| Non-Recurring Charges | | | | |
| NRC - 4-Wire DS1 Digital Loop with 4-wire ISDN DS1 Digital Port Combination - 1st conversion | USACP | \$247.97 | \$269.96 | \$328.53 |
| NRC - 4-Wire DS1 Digital Loop with 4-wire ISDN DS1 Digital Port Combination - Add'l conversion | USACP | \$157.17 | \$269.96 | \$328.53 |
| NRC - 4 - Wire DS1 Digital Loop with 4 - Wire ISDN DS1 Digital Trunk Port - Subsequent Channel Activation - Per Channel | USASP | \$29.06 | \$28.71 | \$28.36 |
| NRC - 4-Wire DS1 Digital Loop with 4-wire ISDN DS1 Digital Port Combination - Subsequent Inward/2-way Telephone Numbers | PR7TG | \$0.9804 | \$0.9686 | \$0.9353 |
| NRC - 4-Wire DS1 Digital Loop with 4-wire ISDN DS1 Digital Port Combination - Subsequent Outward Telephone numbers | PR7TP | \$23.02 | \$22.75 | \$22.36 |
| NRC - 4-Wire DS1 Digital Loop with 4-wire ISDN DS1 Digital Port Combination - Subsequent Inward Telephone Numbers | PR7ZT | \$46.06 | \$45.49 | \$44.71 |
| NRC - 4-Wire DS1 Digital Loop with 4-wire ISDN DS1 Digital Port Combination - Subsequent Service Order Per Order | USASP | \$147.47 | \$147.47 | \$189.76 |
| NRC - 2-Wire Voice Grade Loop/Line Port Combination - OSS LSR Charge, Electronic, per LSR received from the CLEC by one of the OSS interactive interfaces (Note 7) | SOMEK | \$2.75 | \$3.50 | \$3.50 |
| NRC - 4-Wire DS1 Digital Loop with 4-wire ISDN Digital Port - Incremental Cost-Manual Service Order - 1st | SOMAN | \$21.56 | \$19.99 | \$19.99 |
| NRC - 4-Wire ISDN Digital Loop with 4-wire ISDN Digital Port - Incremental Cost-Manual Service Order - Add'l | SOMAN | \$21.56 | \$19.99 | \$19.99 |
| NRC - Electronic Service Order Disconnect | | \$0.42 | \$0.42 | \$0.42 |
| NRC - Incremental Manual Service Order Disconnect | | \$3.84 | \$20.00 | \$20.00 |
| 4 - Wire DS1 Digital Loop with 4 - Wire DDITS Trunk Port | | | | |
| 4 - Wire DDITS Digital Trunk Port (Formerly DID Trunk Port) | UDD1T | \$63.31 | \$120.80 | \$120.00 |
| 4 - Wire DS1 Digital Loop | USLDC | | | |
| 4 - Wire DS1 Digital Loop - Statewide | USLDC | NA | | NA |
| 4 - Wire DS1 Digital Loop - Zone 1 | USLDC | \$64.69 | \$55.53 | \$57.73 |
| 4 - Wire DS1 Digital Loop - Zone 2 | USLDC | \$94.71 | \$84.13 | \$75.40 |
| 4 - Wire DS1 Digital Loop - Zone 3 | USLDC | \$208.93 | \$101.93 | \$98.59 |
| 4 - Wire DS1 Digital Loop - Zone 4 | USLDC | NA | NA | NA |
| Combination Rates | | | | |
| 4 - Wire DS1 Digital Loop with 4 - Wire DDITS Trunk Port - Statewide | Note 8 | NA | NA | NA |
| 4 - Wire DS1 Digital Loop with 4 - Wire DDITS Trunk Port - Zone 1 | Note 8 | \$128.00 | \$178.33 | \$93.28 |
| 4 - Wire DS1 Digital Loop with 4 - Wire DDITS Trunk Port - Zone 2 | Note 8 | \$158.02 | \$184.93 | \$110.95 |
| 4 - Wire DS1 Digital Loop with 4 - Wire DDITS Trunk Port - Zone 3 | Note 8 | \$272.24 | \$222.73 | \$134.14 |
| 4 - Wire DS1 Digital Loop with 4 - Wire DDITS Trunk Port - Zone 4 | Note 8 | NA | NA | NA |
| Local number Portability per DSO Activated | LNPCP | \$3.15 | \$3.15 | \$3.15 |
| Central Office Terminating Point | CTG | \$0.00 | \$0.00 | \$0.00 |
| Telephone Number / Trunk Group establishment | | | | |
| Telephone Number for 2-Way Trunk Group | UDTGX | \$0.00 | \$0.00 | \$0.00 |

BELLSOUTH/ACTEL RATES
NETWORK ELEMENTS
AND OTHER SERVICES
LOOP/PORT COMBINATIONS

| DESCRIPTION | USOC | FL | GA | TN |
|--|-------|----------|----------|----------|
| Telephone Number for 1-Way Outward Trunk Group | UDTGY | \$0.00 | \$0.00 | \$0.00 |
| Telephone Number for 1-Way Inward Trunk Group Without DID | UDTGZ | \$0.00 | \$0.00 | \$0.00 |
| DID Numbers, Establish Trunk Group and Provide First Group of 20 DID Numbers (FL, GA, NC, & SC only) | NDZ | \$0.00 | \$0.00 | \$0.00 |
| DID Numbers, Establish Trunk Group and Provide First Group of 20 DID Numbers (AL, KY, LA, MS, & TN). In addition, Provides Additional DID Numbers for each Group of 20 DID Numbers (Valid in All States) | ND4 | \$0.00 | \$0.00 | \$0.00 |
| DID Numbers, Non-consecutive DID Numbers, Per Number | ND5 | \$0.00 | \$0.00 | \$0.00 |
| Interoffice Channel Mileage - (Dedicated DS1) FX/FCO for 4 - Wire DS1 Digital Loop with 4 - Wire DDITS Trunk Port | | | | |
| Fixed cost 0-8 miles (Facilities Termination) | 1LNO1 | \$82.62 | \$83.39 | \$75.83 |
| Additional costs per mile 0-8 miles | 1LNOA | \$0.2000 | \$0.3068 | \$0.3525 |
| Fixed cost 9-25 miles (Facilities Termination) | 1LNO2 | \$0.00 | \$0.00 | \$0.00 |
| Additional costs per mile 9-25 miles | 1LNOB | \$0.2000 | \$0.3068 | \$0.3525 |
| Fixed cost 25 + miles (Facilities Termination) | 1LNO3 | \$0.00 | \$0.00 | \$0.00 |
| Additional costs 25 + miles | 1LNOC | \$0.2000 | \$0.3068 | \$0.3525 |
| Enhanced Performance Charges | | | | |
| Enhanced Performance Charges - as negotiated in contract | UDTPC | TBN | TBN | TBN |
| Non-recurring Charges | | | | |
| NRC - 4-Wire DS1 Digital Loop with 4-Wire DDITS Trunk Port Combination - OSS LSR Charge, Electronic, per LSR received from the CLEC by one of the OSS interactive interfaces (Note 7) | SOMEK | \$2.75 | \$3.50 | \$3.50 |
| NRC - 4-Wire DS1 Digital Loop with 4-Wire DDITS Trunk Port - Incremental Cost-Manual Service Order - 1st | SOMAN | \$21.56 | \$37.68 | \$19.99 |
| NRC - 4-Wire DS1 Digital Loop with 4-Wire DDITS Trunk Port - Incremental Cost-Manual Service Order - Add'l | SOMAN | \$21.56 | \$16.84 | \$19.99 |
| NRC - Electronic Service Order Disconnect | | \$0.42 | TBD | TBD |
| NRC - Incremental Manual Service Order Disconnect | | \$3.84 | \$20.00 | \$20.00 |
| NRC - 4 - Wire DS1 Digital Loop with 4 - Wire DDITS Trunk Port - Conversion - Switch as is - 1st | USAC4 | \$268.82 | \$269.96 | \$312.91 |
| NRC - 4 - Wire DS1 Digital Loop with 4 - Wire DDITS Trunk Port - Conversion - Switch as is - Additional | USAC4 | \$134.07 | \$269.96 | \$312.91 |
| NRC - 4 - Wire DS1 Digital Loop with 4 - Wire DDITS Trunk Port - Conversion with DS1 changes - 1st | USAWA | \$268.82 | \$269.96 | \$312.91 |
| NRC - 4 - Wire DS1 Digital Loop with 4 - Wire DDITS Trunk Port - Conversion with DS1 Changes - Additional | USAWA | \$134.07 | \$269.96 | \$312.91 |
| NRC - 4 - Wire DS1 Digital Loop with 4 - Wire DDITS Trunk Port - Conversion with Change - Trunks - 1st | USAWB | \$268.82 | \$269.96 | \$312.91 |
| NRC - 4 - Wire DS1 Digital Loop with 4 - Wire DDITS Trunk Port - Conversion with Change - Trunks - Additional | USAWB | \$134.07 | \$269.96 | \$312.91 |
| NRC - 4 - Wire DS1 Digital Loop with 4 - Wire DDITS Digital Trunk Port - Subsequent Service Activity Per Service Order | USAS4 | \$54.00 | \$147.47 | \$94.88 |
| NRC - 4 - Wire DS1 Digital Loop with 4 - Wire DDITS Trunk Port - New - 1st | UDDIT | NA | \$658.30 | NA |
| NRC - 4 - Wire DS1 Digital Loop with 4 - Wire DDITS Trunk Port - New - Additional | UDDIT | NA | \$514.02 | NA |
| NRC - 4 - Wire DS1 Digital Loop with 4 - Wire DDITS Trunk Port - New - 1st - Disconnect | UDDIT | NA | TBD | NA |
| NRC - 4 - Wire DS1 Digital Loop with 4 - Wire DDITS Trunk Port - New - Additional Disconnect | UDDIT | NA | TBD | \$15.29 |
| NRC - 4 - Wire DS1 Digital Loop with 4 - Wire DDITS Trunk Port - Subsequent Channel Activation - Per Channel - 2-Way Trunk | UDTTA | \$28.96 | \$28.71 | \$108.67 |
| NRC - 4 - Wire DS1 Digital Loop with 4 - Wire DDITS Trunk Port - Subsequent Channel Activation - Per Channel - 1-Way Outward Trunk | UDTTB | \$28.96 | \$28.71 | \$108.67 |
| NRC - 4 - Wire DS1 Digital Loop with 4 - Wire DDITS Trunk Port - Subsequent Channel Activation - Per Channel - 1-Way Inward Trunk Without DID | UDTTC | \$28.96 | \$28.71 | \$108.67 |

BELLSOUTH/ACSL RATES
NETWORK ELEMENTS
AND OTHER SERVICES
LOOP/PORT COMBINATIONS

Attachment 2
Exhibit C
Rates Page 56
Exhibit A

| DESCRIPTION | USOC | FL | | |
|--|-------|----------|----------|----------|
| NRC - 4 - Wire DS1 Digital Loop with 4 - Wire DDITS Trunk Port - Subsequent Channel Activation - Per Channel - 1-Way Inward Trunk With DID | UDTTD | \$28.96 | \$28.71 | \$108.67 |
| NRC - 4 - Wire DS1 Digital Loop with 4 - Wire DDITS Trunk Port - Subsequent Channel Activation - Per Channel - 2-Way DID with User Transfer | UDTTE | \$28.96 | \$28.71 | \$108.67 |
| NRC - 4 - Wire DS1 Digital Loop with 4 - Wire DDITS Digital Trunk Port - Subsequent Signaling Changes | | TBD | TBD | \$22.92 |
| NRC - 4 - Wire DS1 Digital Loop with 4 - Wire DDITS Digital Trunk Port - Subsequent Telephone Numbers | | TBD | TBD | \$88.68 |
| NRC - Interoffice Channel Mileage - (Dedicated DS1) FX/FCO for 4 - Wire DS1 Digital Loop with 4 - Wire DDITS Trunk Port Fixed cost 0-8 miles (Facilities Termination) - 1st - New Only | 1LNO1 | NA | \$147.07 | NA |
| NRC - Interoffice Channel Mileage - (Dedicated DS1) FX/FCO for 4 - Wire DS1 Digital Loop with 4 - Wire DDITS Trunk Port Fixed cost 0-8 miles (Facilities Termination) - Additional - New Only | 1LNO2 | NA | \$111.75 | NA |
| NRC - Interoffice Channel Mileage - (Dedicated DS1) FX/FCO for 4 - Wire DS1 Digital Loop with 4 - Wire DDITS Trunk Port Fixed cost 0-8 miles (Facilities Termination) - Disconnect - 1st - New Only | 1LNO3 | NA | NA | NA |
| NRC - Interoffice Channel Mileage - (Dedicated DS1) FX/FCO for 4 - Wire DS1 Digital Loop with 4 - Wire DDITS Trunk Port Fixed cost 0-8 miles (Facilities Termination) - Disconnect Additional - New Only | 1LNO4 | NA | NA | NA |
| BIPOLAR 0 ZERO SUBSTITUTION | | | | |
| NRC - Superframe Format - Conversion or new Install 1st | CCOSF | \$0.00 | \$0.00 | \$0.00 |
| NRC - Superframe Format - Conversion or new Install Additional | CCOSF | \$0.00 | \$0.00 | \$0.00 |
| NRC - Extended Superframe Format - Change or Subsequent Activity - 1st | CCOSF | \$0.00 | \$0.00 | \$0.00 |
| NRC - Extended Superframe Format - Change or Subsequent Activity - Additional | CCOSF | \$655.00 | \$600.00 | \$590.00 |
| NRC - Extended Superframe Format - Conversion or New Install 1st | CCOEF | \$0.00 | \$0.00 | \$0.00 |
| NRC - Extended Superframe Format - Conversion or New Install - Additional | CCOEF | \$0.00 | \$0.00 | \$0.00 |
| NRC - Extended Superframe Format - Change or Subsequent Activity - 1st | CCOEF | \$0.00 | \$0.00 | \$0.00 |
| NRC - Extended Superframe Format - Change or Subsequent Activity - Additional | CCOEF | \$655.00 | \$600.00 | \$590.00 |
| Alternate Mark Inversion (AMI) | | | | |
| NRC - Superframe Format - 1st | MCOSF | \$0.00 | \$0.00 | \$0.00 |
| NRC - Superframe Format - Additional | MCOSF | \$0.00 | \$0.00 | \$0.00 |
| NRC - Extended Superframe Format - 1st | MCOPO | \$0.00 | \$0.00 | \$0.00 |
| NRC - Extended Superframe Format - Additional | MCOPO | \$0.00 | \$0.00 | \$0.00 |
| 2-Wire Voice Grade Loop with 2-Wire Line Port PBX | | | | |
| 2-Wire Analog Line Port (PBX), per month | | | | |
| 2 WIRE VOICE UNBUNDLED COMBINATION 2-WAY PBX TRUNK - RESIDENCE | UEPRD | \$1.35 | \$1.79 | \$4.54 |
| LINE SIDE UNBUNDLED COMBINATION 2-WAY PBX TRUNK - BUSINESS | UEPPC | \$1.35 | \$1.79 | \$4.54 |
| LINE SIDE UNBUNDLED OUTWARD PBX TRUNK - BUSINESS | UEPPO | \$1.35 | \$1.79 | \$4.54 |
| LINE SIDE UNBUNDLED INCOMING PBX TRUNK - BUSINESS | UEPP1 | \$1.35 | \$1.79 | \$4.54 |
| 2-WIRE VOICE UNBUNDLED 2-WAY COMBINATION PBX ALABAMA CALLING PORT | UEPA2 | NA | NA | NA |
| 2-WIRE VOICE UNBUNDLED 2-WAY COMBINATION PBX LOUISIANA CALLING PORT | UEPL2 | NA | NA | NA |
| 2-WIRE VOICE UNBUNDLED PBX LD TERMINAL PORTS | UEPLD | \$1.35 | \$1.79 | \$4.54 |
| 2-WIRE VOICE UNBUNDLED 2-WAY COMBINATION PBX TENNESSEE CALLING PORT | UEPT2 | NA | NA | \$4.54 |
| 2-WIRE VOICE UNBUNDLED 1-WAY OUTGOING PBX TENNESSEE CALLING PORT | UEPTO | NA | NA | \$4.54 |
| 2-WIRE VOICE UNBUNDLED 2-WAY COMBINATION PBX USAGE PORT | UEPXA | \$1.35 | \$1.79 | \$4.54 |
| 2-WIRE VOICE UNBUNDLED PBX TOLL TERMINAL HOTEL PORTS | UEPXB | \$1.35 | \$1.79 | \$4.54 |
| 2-WIRE VOICE UNBUNDLED PBX LD DDD TERMINALS PORT | UEPXC | \$1.35 | \$1.79 | \$4.54 |

BELLSOUTH/Actual RATES
NETWORK ELEMENTS
AND OTHER SERVICES
LOOP/PORT COMBINATIONS

Attachment 2
Exhibit C
Rates - Page 59
Exhibit A

| DESCRIPTION | USOC | FL | GA | TN |
|--|--------|---------|----------|----------|
| 2-WIRE VOICE UNBUNDLED PBX LD TERMINAL SWITCHBOARD PORT | UEPXD | \$1.35 | \$1.79 | \$4.54 |
| 2-WIRE VOICE UNBUNDLED PBX LD TERMINAL SWITCHBOARD IDD CAPABLE PORT | UEPXE | \$1.35 | \$1.79 | \$4.54 |
| 2-WIRE VOICE UNBUNDLED 2-WAY PBX KENTUCKY ROOM AREA CALLING PORT WITHOUT LUD | UEPXF | NA | NA | NA |
| 2-WIRE VOICE UNBUNDLED PBX KENTUCKY LUD AREA CALLING PORT | UEPXG | NA | NA | NA |
| 2-WIRE VOICE UNBUNDLED PBX KENTUCKY PREMIUM CALLING PORT | UEPXH | NA | NA | NA |
| 2-WIRE VOICE UNBUNDLED 2-WAY KENTUCKY AREA CALLING PORT WITHOUT LUD | UEPXJ | NA | NA | NA |
| 2-WIRE VOICE UNBUNDLED 2-WAY PBX LOUISIANA LOCAL OPTIONAL CALLING PORT | UEPXK | NA | NA | NA |
| 2-WIRE VOICE UNBUNDLED 2-WAY PBX HOTEL/HOSPITAL ECONOMY ADMINISTRATIVE CALLING PORT | UEPXL | \$1.35 | \$1.79 | \$4.54 |
| 2-WIRE VOICE UNBUNDLED 2-WAY PBX HOTEL/HOSPITAL ECONOMY ROOM CALLING PORT | UEPXM | \$1.35 | \$1.79 | \$4.54 |
| 2-WIRE VOICE UNBUNDLED 1-WAY OUTGOING PBX HOTEL/HOSPITAL ECONOMY ADMINISTRATIVE CALLING PORT TENNESSEE CALLING PORT | UEPXN | NA | NA | \$4.54 |
| 2-WIRE VOICE UNBUNDLED 1-WAY OUTGOING PBX HOTEL/HOSPITAL DISCOUNT ROOM CALLING PORT | UEPXO | \$1.35 | \$1.79 | \$4.54 |
| 2-WIRE VOICE UNBUNDLED 1-WAY OUTGOING PBX LOUISIANA LOCAL DISCOUNT CALLING PORT | UEPXP | NA | NA | NA |
| 2-WIRE VOICE UNBUNDLED 2-WAY PBX MISSISSIPPI LOCAL ECONOMY CALLING PORT | UEPXQ | NA | NA | NA |
| 2-WIRE VOICE UNBUNDLED 2-WAY PBX MISSISSIPPI LOCAL OPTIONAL CALLING PORT | UEPXR | NA | NA | NA |
| 2-WIRE VOICE UNBUNDLED 1-WAY OUTGOING PBX MEASURED PORT | UEPXS | \$1.35 | \$1.79 | \$4.54 |
| 2-WIRE VOICE UNBUNDLED 2-WAY PBX SOUTH CAROLINA AREA PLUS CALLING PORT | UEPXT | NA | NA | NA |
| 2-WIRE VOICE UNBUNDLED PBX COLLIERVILLE & MEMPHIS CALLING PORT | UEPXU | NA | NA | \$4.54 |
| 2-WIRE VOICE UNBUNDLED 2-WAY PBX TENNESSEE REGIONSERV CALLING PORT | UEPXV | NA | NA | \$4.54 |
| LOCAL NUMBER PORTABILITY (REQUIRES ONE PER PORT) | LNPCP | | | |
| 2-Wire Voice Grade Loop (SL1) | | | | |
| RC - 2-Wire Voice Grade Loop - Statewide | UEPLX | NA | NA | NA |
| RC - 2-Wire Voice Grade Loop - Zone 1 | UEPLX | \$14.90 | \$10.80 | \$12.48 |
| RC - 2-Wire Voice Grade Loop - Zone 2 | UEPLX | \$18.51 | \$12.47 | \$14.42 |
| RC - 2-Wire Voice Grade Loop - Zone 3 | UEPLX | \$24.25 | \$19.83 | \$21.77 |
| RC - 2-Wire Voice Grade Loop - Zone 4 | UEPLX | NA | NA | NA |
| Combination Rates | | | | |
| RC - 2-Wire Voice Grade Loop with 2-Wire Line Port, Statewide | Note 8 | NA | NA | NA |
| RC - 2-Wire Voice Grade Loop with 2-Wire Line Port, Zone 1 (Note 6) | Note 8 | \$16.25 | \$12.59 | \$17.02 |
| RC - 2-Wire Voice Grade Loop with 2-Wire Line Port, Zone 2 (Note 6) | Note 8 | \$19.86 | \$14.26 | \$18.96 |
| RC - 2-Wire Voice Grade Loop with 2-Wire Line Port, Zone 3 (Note 6) | Note 8 | \$25.60 | \$21.62 | \$26.31 |
| RC - 2-Wire Voice Grade Loop with 2-Wire Line Port, Zone 4 (Note 6) | Note 8 | NA | NA | NA |
| Nonrecurring Charges | | | | |
| NRC - 2-Wire Voice Grade Loop/Line Port Combination - 1st, Switch as is | USAC2 | \$15.82 | \$2.01 | \$1.03 |
| NRC - 2-Wire Voice Grade Loop/Line Port Combination - Add'l, Switch as is | USAC2 | \$3.80 | \$0.3108 | \$0.2886 |
| NRC - 2-Wire Voice Grade Loop/Line Port Combination - 1st, Switch with change | USACC | \$15.82 | \$2.01 | \$1.03 |
| NRC - 2-Wire Voice Grade Loop/Line Port Combination - Add'l, Switch with change | USACC | \$3.80 | \$0.3108 | \$0.2886 |
| NRC - 2-Wire Voice Grade Loop/Line Port Combination - Subsequent | USAS2 | \$10.00 | \$10.00 | \$10.00 |
| NRC - 2-Wire Voice Grade Loop/Line Port Combination - OSS LSR Charge, Electronic, per LSR received from the CLEC by one of the OSS interactive interfaces (Note 7) | SOMEC | \$2.75 | \$3.60 | \$3.50 |

BELLSOUTH/Actel RATES
 NETWORK ELEMENTS
 AND OTHER SERVICES
 LOOP/PORT COMBINATIONS

Attachment 2
 Exhibit C
 Rates - Page 60
 Exhibit A

| DESCRIPTION | USOC | FL | GA | TN |
|--|-------|---------|---------|---------|
| NRC - 2-Wire Voice Grade Loop/Line Port Combination - Incremental Cost - Manual Svc Order vs. Electronic - 1st | SOMAN | \$21.56 | \$33.67 | \$30.89 |
| NRC - 2-Wire Voice Grade Loop/Line Port Combination - Incremental Cost - Manual Svc Order vs. Electronic - Add'l | SOMAN | \$21.56 | \$7.88 | \$7.03 |
| NRC - 2-Wire Voice Grade Loop/Line Port Combination - Subsequent Database Update Electronic | | TBD | TBD | \$0.76 |
| NRC - 2-Wire Voice Grade Loop/Line Port Combination - Subsequent Database Update Manual Service Order | | TBD | TBD | \$7.97 |
| NRC - Electronic Service Order Disconnect | | \$0.42 | TBD | TBD |
| NRC - Incremental Manual Service Order Disconnect | | \$3.84 | \$20.00 | \$20.00 |
| NRCs for New (not currently combined) as ordered in Georgia: | | | | |
| NRC - 2-Wire Voice Grade Loop with 2-Wire Line Port - New - 1st | UEPRD | NA | \$22.14 | NA |
| NRC - 2-Wire Voice Grade Loop with 2-Wire Line Port - New - Add'l | UEPRD | NA | \$15.25 | NA |
| NRC - 2-Wire Voice Grade Loop with 2-Wire Line Port - New - 1st | UEPPC | NA | \$22.14 | NA |
| NRC - 2-Wire Voice Grade Loop with 2-Wire Line Port - New - Add'l | UEPPC | NA | \$16.25 | NA |
| NRC - 2-Wire Voice Grade Loop with 2-Wire Line Port - New - 1st | UEPPO | NA | \$22.14 | NA |
| NRC - 2-Wire Voice Grade Loop with 2-Wire Line Port - New - Add'l | UEPPO | NA | \$15.25 | NA |
| NRC - 2-Wire Voice Grade Loop with 2-Wire Line Port - New - 1st | UEPP1 | NA | \$22.14 | NA |
| NRC - 2-Wire Voice Grade Loop with 2-Wire Line Port - New - Add'l | UEPP1 | NA | \$15.25 | NA |
| NRC - 2-Wire Voice Grade Loop with 2-Wire Line Port - New - 1st | UEPLD | NA | \$22.14 | NA |
| NRC - 2-Wire Voice Grade Loop with 2-Wire Line Port - New - Add'l | UEPLD | NA | \$15.25 | NA |
| NRC - 2-Wire Voice Grade Loop with 2-Wire Line Port - New - 1st | UEPXA | NA | \$22.14 | NA |
| NRC - 2-Wire Voice Grade Loop with 2-Wire Line Port - New - Add'l | UEPXA | NA | \$15.25 | NA |
| NRC - 2-Wire Voice Grade Loop with 2-Wire Line Port - New - 1st | UEPXB | NA | \$22.14 | NA |
| NRC - 2-Wire Voice Grade Loop with 2-Wire Line Port - New - Add'l | UEPXB | NA | \$16.25 | NA |
| NRC - 2-Wire Voice Grade Loop with 2-Wire Line Port - New - 1st | UEPXC | NA | \$22.14 | NA |
| NRC - 2-Wire Voice Grade Loop with 2-Wire Line Port - New - Add'l | UEPXC | NA | \$15.25 | NA |
| NRC - 2-Wire Voice Grade Loop with 2-Wire Line Port - New - 1st | UEPXD | NA | \$22.14 | NA |
| NRC - 2-Wire Voice Grade Loop with 2-Wire Line Port - New - Add'l | UEPXD | NA | \$15.25 | NA |
| NRC - 2-Wire Voice Grade Loop with 2-Wire Line Port - New - 1st | UEPXE | NA | \$22.14 | NA |
| NRC - 2-Wire Voice Grade Loop with 2-Wire Line Port - New - Add'l | UEPXE | NA | \$15.25 | NA |
| NRC - 2-Wire Voice Grade Loop with 2-Wire Line Port - New - 1st | UEPXL | NA | \$22.14 | NA |
| NRC - 2-Wire Voice Grade Loop with 2-Wire Line Port - New - Add'l | UEPXL | NA | \$15.25 | NA |
| NRC - 2-Wire Voice Grade Loop with 2-Wire Line Port - New - 1st | UEPYM | NA | \$22.14 | NA |
| NRC - 2-Wire Voice Grade Loop with 2-Wire Line Port - New - Add'l | UEPYM | NA | \$16.25 | NA |
| NRC - 2-Wire Voice Grade Loop with 2-Wire Line Port - New - 1st | UEPXO | NA | \$22.14 | NA |
| NRC - 2-Wire Voice Grade Loop with 2-Wire Line Port - New - Add'l | UEPXO | NA | \$15.25 | NA |
| NRC - 2-Wire Voice Grade Loop with 2-Wire Line Port - New - 1st | UEPXS | NA | \$22.14 | NA |
| NRC - 2-Wire Voice Grade Loop with 2-Wire Line Port - New - Add'l | UEPXS | NA | \$15.25 | NA |
| NRC - 2-Wire Voice Grade Loop/Line Port Combination - Subsequent | USAS2 | NA | \$10.00 | NA |
| NRC - 2-Wire Voice Grade Loop with 2-Wire Line Port - New - Disconnect - 1st | | NA | \$8.45 | NA |
| NRC - 2-Wire Voice Grade Loop with 2-Wire Line Port - New - Disconnect - Add'l | | NA | \$3.91 | NA |
| NRC - 2-Wire Voice Grade Loop/Line Port Combination - OSS LSR Charge, Electronic, per LSR received from the GLEC by one of the OSS interactive interfaces (Note 7) | SOMEK | NA | \$3.50 | NA |
| NRC - 2-Wire Voice Grade Loop with 2-Wire Line Port - Incremental Cost Manual vs. Electronic - New - 1st | | NA | \$37.06 | NA |
| NRC - 2-Wire Voice Grade Loop with 2-Wire Line Port - Incremental Cost Manual vs. Electronic - New - Add'l | | NA | \$8.19 | NA |
| NRC - 2-Wire Voice Grade Loop/Line Port Combination - Subsequent Database Update Electronic | | NA | TBD | NA |

BELLSOUTH/ACM RATES
 NETWORK ELEMENTS
 AND OTHER SERVICES
 LOOP/PORT COMBINATIONS

| DESCRIPTION | USOC | FL | GA | TN |
|---|---|-----|---------|-----|
| NFC - 2 Wire Voice Grade Loop/Line Port Combination - Subsequent Database Update Manual Service Order | | NA | TBD | NA |
| NFC - 2-Wire Voice Grade Loop with 2-Wire Line Port - Incremental Cost Manual vs. Electronic - New - Disconnect | | NA | \$11.17 | NA |
| All Other Loop/Port Combinations | | TBD | Note 2 | TBD |
| LOCAL NUMBER PORTABILITY (REQUIRES ONE PER PORT) | LNPCX | | | |
| NOTES: | | | | |
| 1 | Interim rates subject to true-up. | | | |
| 1 | Market Rates will apply in those areas where BellSouth is not required to provide circuit switching pursuant to FCC rules. | | | |
| 2 | In Georgia, rates will apply for Currently Combined as well as not Currently Combined loop/port combinations unless otherwise identified. | | | |
| 3 | In the absence of ordered rates by a State Commission, the recurring rates for Currently Combined combinations of loop/port/network elements will be the sum of the recurring rates for the UNEs which make up the combinations, and the nonrecurring rates shall be as set forth in this section. | | | |
| 4 | End Office and Tandem Switching Usage and Common Transport Usage rates in the Port section of this rate exhibit shall apply to all combinations of loop/port network elements. | | | |
| 5 | Deleted | | | |
| 6 | Geographically Deaveraged UNE Zones and applicable rates have been established for certain services, as shown in this Agreement. Where Geographically Deaveraged UNE Zones and applicable rates are established, Statewide rates are obsolete. Further, BellSouth is in the process of enhancing its billing systems in order to accommodate this Geographically Deaveraged UNE Zone Rate Structure. Until these enhancements are accomplished, estimated to be mid 2001, the UNE Zone 1 rate will be billed for all services residing in Zones 1, 2, 3 or 4, i.e., Rates for services residing in UNE Zones 2, 3 and UNE Zone 4, where applicable, will not be billed. Once billing enhancements are complete, all applicable UNE Zone rates reflected in this Agreement will be billed. Reference Internet Website http://www.interconnection.bellsouth.com/become_clec/docs/interconnection/deavuzns.pdf to view Geographically Deaveraged UNE Zone Designations by Central Office. | | | |
| 7 | In the absence of ordered OSS rates by a state commission, BellSouth will offer regionwide rates | | | |
| 8 | There is not a unique combination USOC. CLEC should submit the loop and port USOCs | | | |
| 9 | Rates in TN and FL are interim and shall be true-up when final rates are ordered. | | | |

BELLSOUTH Actel RATES
 NETWORK ELEMENTS
 AND OTHER SERVICES
 ENHANCED EXTENDED LINKS

Attachment 2
 Exhibit C
 Rates - Page 62
 Exhibit A

| ENHANCED EXTENDED LINKS (EELs) | | | | |
|---|-------|----------|----------|----------|
| New EEL rates are the sum of the individual UNE network elements (interoffice transport and loop [channelization if applicable]). | | | | |
| DS1 Interoffice Channel and 2-wire VG Local Loop EEL: | | | | |
| Recurring Charges | | | | |
| 2-wire VG Loop per month, statewide | UEAL2 | NA | NA | NA |
| 2-wire VG Loop per month, Zone 1 (Note 1) | UEAL2 | \$20.52 | \$15.40 | \$15.54 |
| 2-wire VG Loop per month, Zone 2 (Note 1) | UEAL2 | TBD | \$17.78 | \$19.56 |
| 2-wire VG Loop per month, Zone 3 (Note 1) | UEAL2 | TBD | \$28.26 | \$28.02 |
| 2-wire VG Loop per month, Zone 4 (Note 1) | NA | NA | NA | NA |
| Interoffice Channel - Dedicated - DS1 - per mile per month | 1L5XX | \$0.6013 | \$0.4523 | \$0.3525 |
| Interoffice Channel - Dedicated - DS1 - Facility Termination per month | U1TF1 | \$99.79 | \$78.47 | \$75.83 |
| DS1 Channelized System per month | MQ1 | \$153.60 | \$18.23 | \$165.21 |
| VG (COC) Interface card per month | 1D1VG | \$1.45 | \$2.20 | \$1.25 |
| Non-Recurring Charges - New EEL (Note 2)(Note 3) | | | | |
| NRC- DS1 Interoffice Facility Termination - 1st | U1TF1 | \$171.01 | \$142.64 | \$165.53 |
| NRC-DS1 Interoffice Facility Termination - Add'l | U1TF1 | \$101.84 | \$94.87 | \$124.84 |
| NRC-2-wire VG Local Loop - 1st | UEAL2 | \$38.02 | \$77.54 | \$103.76 |
| NRC-2-wire VG Local Loop - Add'l | UEAL2 | \$35.15 | \$51.57 | \$65.84 |
| NRC-DS1 Channelization System -1st | MQ1 | \$275.18 | \$206.09 | \$222.87 |
| NRC-DS1 Channelization System - Add'l | MQ1 | \$137.77 | \$137.06 | \$135.80 |
| NRC-VG(COC)Interface card -1st | 1D1VG | \$12.16 | \$12.02 | \$12.61 |
| NRC-VG(COC)Interface card - Add'l | 1D1VG | \$8.77 | \$8.66 | \$9.03 |
| NRC- 2-wire VG Local Loop and Channelized DS1 Interoffice Combination - Electronic Svc | SOMEK | \$3.17 | \$3.50 | \$3.50 |
| NRC- 2-wire VG Local Loop and Channelized DS1 Interoffice Combination - Manual Svc | SOMAN | \$25.40 | NA | \$19.99 |
| NRC- 2-wire VG Local Loop and Channelized DS1 Interoffice Combination - Manual Svc O | SOMAN | NA | \$33.63 | NA |
| NRC- 2-wire VG Local Loop and Channelized DS1 Interoffice Combination - Manual Svc O | SOMAN | NA | \$27.49 | NA |
| NRC- 2-wire VG Local Loop and Channelized DS1 Interoffice Combination - Manual Svc O | SOMAN | NA | \$19.88 | NA |
| NRC- 2-wire VG Local Loop and Channelized DS1 Interoffice Combination - Manual Svc O | SOMAN | NA | \$11.85 | NA |
| DS1 Interoffice Channel and 4-wire VG Local Loop EEL: | | | | |
| Recurring Charges | | | | |
| 4-wire VG Loop per month | UEAL4 | NA | NA | NA |
| 4-wire VG Loop per month, Zone 1 (Note 1) | UEAL4 | \$24.26 | \$22.88 | \$15.92 |
| 4-wire VG Loop per month, Zone 2 (Note 1) | UEAL4 | \$35.51 | \$26.42 | \$20.79 |
| 4-wire VG Loop per month, Zone 3 (Note 1) | UEAL4 | \$78.35 | \$41.99 | \$27.18 |
| 4-wire VG Loop per month, Zone 4 (Note 1) | NA | NA | NA | NA |
| Interoffice Channel - Dedicated - DS1 - per mile per month | 1L5XX | \$0.6013 | \$0.4523 | \$0.3525 |
| Interoffice Channel - Dedicated - DS1 - Facility Termination per month | U1TF1 | \$99.79 | \$78.47 | \$75.83 |
| DS1 Channelized System per month | MQ1 | \$153.60 | \$18.23 | \$165.21 |
| VG (COC) Interface card per month | 1D1VG | \$1.45 | \$2.67 | \$1.25 |
| Non-Recurring Charges - New EEL (Note 2)(Note 3) | | | | |
| NRC- DS1 Interoffice Facility Termination - 1st | U1TF1 | \$171.01 | \$142.64 | \$165.53 |
| NRC-DS1 Interoffice Facility Termination - Add'l | U1TF1 | \$101.84 | \$94.87 | \$124.84 |
| NRC-4-wire VG Local Loop - 1st | UEAL4 | \$329.76 | \$228.99 | \$103.76 |
| NRC-4-wire VG Local Loop - Add'l | UEAL4 | \$178.91 | \$203.26 | \$65.84 |
| NRC-DS1 Channelization System -1st | MQ1 | \$275.18 | \$206.09 | \$222.87 |
| NRC-DS1 Channelization System - Add'l | MQ1 | \$137.77 | \$137.06 | \$135.80 |
| NRC-VG(COC)Interface card -1st | 1D1VG | \$12.16 | \$12.02 | \$12.61 |
| NRC-VG(COC)Interface card - Add'l | 1D1VG | \$8.77 | \$8.66 | \$9.03 |
| NRC-DS1 interoffice channel and 4-wire VG Local Loop Combination - Electronic Svc | SOMEK | \$3.17 | \$3.50 | \$3.50 |
| NRC-DS1 interoffice channel and 4-wire VG Local Loop Combination - Manual Svc O | SOMAN | \$25.40 | NA | \$19.99 |
| NRC-DS1 interoffice channel and 4-wire VG Local Loop Combination - Manual Svc O | SOMAN | NA | \$33.63 | NA |
| NRC-DS1 interoffice channel and 4-wire VG Local Loop Combination - Manual Svc O | SOMAN | NA | \$27.49 | NA |
| NRC-DS1 interoffice channel and 4-wire VG Local Loop Combination - Manual Svc O | SOMAN | NA | \$19.88 | NA |
| NRC-DS1 interoffice channel and 4-wire VG Local Loop Combination - Manual Svc O | SOMAN | NA | \$11.85 | NA |

BELLSOUTH/Actel RATES
 NETWORK ELEMENTS
 AND OTHER SERVICES
 ENHANCED EXTENDED LINKS

| | | | | | |
|---|-------|----------|----------|----------|--|
| New EEL rates are the sum of the individual UNE network elements (interoffice transport and loop [channelization if applicable]). | | | | | |
| DS1 Interoffice Channel and 2-wire ISDN Local Loop: | | | | | |
| Recurring Charges | | | | | |
| 2-wire ISDN Loop per month | U1L2X | NA | NA | NA | |
| 2-wire ISDN Loop per month, Zone 1 (Note 1) | U1L2X | \$32.34 | \$21.89 | \$15.54 | |
| 2-wire ISDN Loop per month, Zone 2 (Note 1) | U1L2X | \$47.35 | \$25.27 | \$19.55 | |
| 2-wire ISDN Loop per month, Zone 3 (Note 1) | U1L2X | \$104.47 | \$40.17 | \$28.02 | |
| 2-wire ISDN Loop per month, Zone 4 (Note 1) | NA | NA | NA | NA | |
| Interoffice Channel - Dedicated - DS1 - per mile per month | 1L5XX | \$0.6013 | \$0.4523 | \$0.3525 | |
| Interoffice Channel - Dedicated - DS1 - Facility Termination per month | U1TF1 | \$99.79 | \$78.47 | \$75.83 | |
| DS1 Channelized System per month | MQ1 | \$153.60 | \$18.23 | \$165.21 | |
| 2-wire ISDN(BRITE COC) per month | UC1CA | \$3.83 | \$3.71 | \$3.33 | |
| Non-Recurring Charges - New EEL (Note 2)(Note 3) | | | | | |
| NRC- DS1 interoffice Facility Termination - 1st | U1TF1 | \$171.01 | \$142.64 | \$165.53 | |
| NRC-DS1 interoffice Facility Termination - Add'l | U1TF1 | \$101.84 | \$94.87 | \$124.84 | |
| NRC- 2-wire ISDN Local Loop - 1st | U1L2X | \$329.76 | \$77.54 | \$58.50 | |
| NRC- 2-wire ISDN Local Loop - Add'l | U1L2X | \$148.55 | \$51.57 | \$31.00 | |
| NRC-DS1 Channelization System - 1st | MQ1 | \$275.18 | \$206.09 | \$222.87 | |
| NRC-DS1 Channelization System - Add'l | MQ1 | \$137.77 | \$137.06 | \$135.80 | |
| NRC-2-wire BRITE(COC)interface card -1st | UC1CA | \$12.16 | \$12.02 | \$12.61 | |
| NRC-2-wire BRITE(COC)interface card -Add'l | UC1CA | \$8.77 | \$8.66 | \$9.03 | |
| NRC-DS1 interoffice channel and 2-wire ISDN Local Loop Combination - Electronic Sv | SOMEc | \$3.17 | \$3.50 | \$3.50 | |
| NRC-DS1 interoffice channel and 2-wire ISDN Local Loop Combination - Manual Svc | SOMAN | \$25.40 | NA | \$19.99 | |
| NRC-DS1 interoffice channel and 2-wire ISDN Local Loop Combination - Manual Svc | SOMAN | NA | \$33.63 | NA | |
| NRC-DS1 interoffice channel and 2-wire ISDN Local Loop Combination - Manual Svc | SOMAN | NA | \$27.49 | NA | |
| NRC-DS1 interoffice channel and 2-wire ISDN Local Loop Combination - Manual Svc | SOMAN | NA | \$19.88 | NA | |
| NRC-DS1 interoffice channel and 2-wire ISDN Local Loop Combination - Manual Svc | SOMAN | NA | \$11.85 | NA | |
| DS1 Interoffice Channel and 4-wire 56 kbps Local Loop: | | | | | |
| Recurring Charges | | | | | |
| 4-wire 56kbps Loop per month | UDL56 | NA | NA | NA | |
| 4-wire 56kbps Loop per month, Zone 1 (Note 1) | UDL56 | \$39.08 | \$26.44 | \$36.45 | |
| 4-wire 56kbps Loop per month, Zone 2 (Note 1) | UDL56 | \$57.21 | \$26.42 | \$45.87 | |
| 4-wire 56kbps Loop per month, Zone 3 (Note 1) | UDL56 | \$126.22 | \$46.53 | \$65.75 | |
| 4-wire 56kbps Loop per month, Zone 4 (Note 1) | NA | NA | NA | NA | |
| Interoffice Channel - Dedicated - DS1 - per mile per month | 1L5XX | \$0.6013 | \$0.4523 | \$0.3525 | |
| Interoffice Channel - Dedicated - DS1 - Facility Termination per month | U1TF1 | \$99.79 | \$78.47 | \$75.83 | |
| DS1 Channelized System per month | MQ1 | \$153.60 | \$18.23 | \$165.21 | |
| 4-wire 56kbps card COC) per month | 1D1DD | \$2.20 | \$1.06 | \$2.46 | |
| Non-Recurring Charges - New EEL (Note 2) (Note 3) | | | | | |
| NRC- DS1 interoffice Facility Termination - 1st | U1TF1 | \$171.01 | \$142.64 | \$165.53 | |
| NRC-DS1 interoffice Facility Termination - Add'l | U1TF1 | \$101.84 | \$94.87 | \$124.84 | |
| NRC-4-wire 56kbps Local Loop - 1st | UDL56 | \$329.76 | \$395.14 | \$643.00 | |
| NRC-4-wire 56kbps Local Loop - Add'l | UDL56 | \$148.55 | \$206.98 | \$421.26 | |
| NRC-DS1 Channelization System - 1st | MQ1 | \$275.18 | \$206.09 | \$222.87 | |
| NRC-DS1 Channelization System - Add'l | MQ1 | \$137.77 | \$137.06 | \$135.80 | |
| NRC-4-wire 56kbps(COC)interface card -1st | 1D1DD | \$12.16 | \$12.02 | \$12.61 | |
| NRC-4-wire 56kbps(COC)interface card -Add'l | 1D1DD | \$8.77 | \$8.66 | \$9.03 | |
| NRC-DS1 interoffice channel and 4-wire 56kbps Local Loop Combination - Electronic | SOMEc | \$3.17 | \$3.50 | \$3.50 | |
| NRC-DS1 interoffice channel and 4-wire 56kbps Local Loop Combination - Manual Sv | SOMAN | \$25.40 | NA | \$19.99 | |
| NRC-DS1 interoffice channel and 4-wire 56kbps Local Loop Combination - Manual Sv | SOMAN | NA | \$33.63 | NA | |
| NRC-DS1 interoffice channel and 4-wire 56kbps Local Loop Combination - Manual Sv | SOMAN | NA | \$27.49 | NA | |
| NRC-DS1 interoffice channel and 4-wire 56kbps Local Loop Combination - Manual Sv | SOMAN | NA | \$19.88 | NA | |
| NRC-DS1 interoffice channel and 4-wire 56kbps Local Loop Combination - Manual Sv | SOMAN | NA | \$11.85 | NA | |

BELLSOUTH/Actel RATES
 NETWORK ELEMENTS
 AND OTHER SERVICES
 ENHANCED EXTENDED LINKS

| | | | | | |
|--|---|-------|------------|----------|----------|
| | New EEL rates are the sum of the individual UNE network elements (interoffice transport and loop (channelization if applicable)). | | | | |
| | DS1 Interoffice Channel and 4-wire 64 kbps Local Loop: | | | | |
| | Recurring Charges | | | | |
| | 4-wire 64kbps Loop per month | UDL64 | NA | NA | NA |
| | 4-wire 64kbps Loop per month, Zone 1 (Note 1) | UDL64 | \$39.08 | \$26.44 | \$36.45 |
| | 4-wire 64kbps Loop per month, Zone 2 (Note 1) | UDL64 | \$57.21 | \$30.53 | \$45.87 |
| | 4-wire 64kbps Loop per month, Zone 3 (Note 1) | UDL64 | \$126.22 | \$46.53 | \$65.75 |
| | 4-wire 64kbps Loop per month, Zone 4 (Note 1) | NA | NA | NA | NA |
| | Interoffice Channel - Dedicated - DS1 - per mile per month | 1L5XX | \$0.6013 | \$0.4523 | \$0.3525 |
| | Interoffice Channel - Dedicated - DS1 - Facility Termination per month | U1TF1 | \$99.79 | \$78.47 | \$75.83 |
| | DS1 Channelized System per month | MQ1 | \$153.60 | \$18.23 | \$165.21 |
| | 4-wire 64kbps card COCI per month | 1D1DD | \$1.06 | \$1.06 | \$2.46 |
| | Non-Recurring Charges - New EEL (Note 2) (Note 3) | | | | |
| | NRC- DS1 interoffice - 1st | U1TF1 | \$171.01 | \$142.64 | \$165.53 |
| | NRC- DS1 interoffice - Add'l | U1TF1 | \$101.84 | \$94.87 | \$124.84 |
| | NRC-4-wire 64kbps Local Loop - 1st | UDL64 | \$329.76 | \$395.14 | \$103.76 |
| | NRC-4-wire 64kbps Local Loop - Add'l | UDL64 | \$148.55 | \$206.98 | \$65.84 |
| | NRC-DS1 Channelization System - 1st | MQ1 | \$275.18 | \$206.09 | \$222.87 |
| | NRC-DS1 Channelization System - Add'l | MQ1 | \$137.77 | \$137.06 | \$135.80 |
| | NRC-4-wire 64kbps(COCI)interface card - 1st | 1D1DD | \$12.16 | \$12.02 | \$12.61 |
| | NRC-4-wire 64kbps(COCI)interface card - Add'l | 1D1DD | \$8.77 | \$8.66 | \$9.03 |
| | NRC-DS1 interoffice channel and 4-wire 64kbps Local Loop Combination - Electronic Svc Order | SOMEK | \$3.17 | \$3.50 | \$3.50 |
| | NRC-DS1 interoffice channel and 4-wire 64kbps Local Loop Combination - Manual Svc Order | SOMAN | \$25.40 | NA | \$19.99 |
| | NRC-DS1 interoffice channel and 4-wire 64kbps Local Loop Combination - Manual Svc Order - Add'l | SOMAN | NA | \$33.63 | NA |
| | NRC-DS1 interoffice channel and 4-wire 64kbps Local Loop Combination - Manual Svc Order - Add'l | SOMAN | NA | \$27.49 | NA |
| | NRC-DS1 interoffice channel and 4-wire 64kbps Local Loop Combination - Manual Svc Order - Add'l | SOMAN | NA | \$19.88 | NA |
| | NRC-DS1 interoffice channel and 4-wire 64kbps Local Loop Combination - Manual Svc Order - Add'l | SOMAN | NA | \$11.85 | NA |
| | DS1 Interoffice Channel and DS1 Interoffice Local Loop: | | | | |
| | Recurring Charges | | | | |
| | DS1 Loop per month | USLXX | NA | NA | NA |
| | DS1 Loop per month, Zone 1 (Note 1) | USLXX | \$64.69 | \$52.40 | NA |
| | DS1 Loop per month, Zone 2 (Note 1) | USLXX | \$94.71 | \$60.51 | NA |
| | DS1 Loop per month, Zone 3 (Note 1) | USLXX | \$208.93 | \$96.18 | NA |
| | DS1 Loop per month, Zone 4 (Note 1) | NA | NA | NA | NA |
| | Interoffice Channel - Dedicated - DS1 - per mile per month | 1L5XX | \$0.6013 | \$0.4523 | NA |
| | Interoffice Channel - Dedicated - DS1 - Facility Termination per month | U1TF1 | \$99.79 | \$78.47 | NA |
| | Non-Recurring Charges - New EEL (Note 2) (Note 3) | | | | |
| | NRC- DS1 interoffice - 1st | U1TF1 | \$171.01 | \$142.64 | NA |
| | NRC- DS1 interoffice - Add'l | U1TF1 | \$101.84 | \$94.87 | NA |
| | NRC-DS1 Local Loop - 1st | USLXX | \$627.78 | \$627.44 | NA |
| | NRC-DS1 Local Loop - Add'l | USLXX | \$377.43 | \$231.49 | NA |
| | NRC-DS1 interoffice channel and DS1 Local Loop Combination - Electronic Svc Order | SOMEK | \$3.17 | \$3.50 | \$3.50 |
| | NRC-DS1 interoffice channel and DS1 Local Loop Combination - Manual Svc Order | SOMAN | \$25.40 | NA | \$19.99 |
| | NRC-DS1 interoffice channel and DS1 Local Loop Combination - Manual Svc Order - Add'l | SOMAN | NA | \$33.63 | NA |
| | NRC-DS1 interoffice channel and DS1 Local Loop Combination - Manual Svc Order - Add'l | SOMAN | NA | \$27.49 | NA |
| | NRC-DS1 interoffice channel and DS1 Local Loop Combination - Manual Svc Order - Add'l | SOMAN | NA | \$19.88 | NA |
| | NRC-DS1 interoffice channel and DS1 Local Loop Combination - Manual Svc Order - Add'l | SOMAN | NA | \$11.85 | NA |
| | DS3 Interoffice Channel and DS3 Local Loop: | | | | |
| | Recurring Charges | | | | |
| | DS3 Loop per Facility Termination per month | UE3PX | \$404.58 | \$390.34 | \$607.28 |
| | DS3 Loop per mile | 1L5ND | \$11.77 | \$8.90 | \$23.76 |
| | Interoffice Channel - Dedicated - DS3 - Facility Termination per month | U1TF3 | \$1,121.93 | \$717.60 | \$760.20 |
| | Interoffice Channel - Dedicated - DS3 - per mile per month | 1L5XX | \$4.17 | \$6.46 | \$5.89 |
| | Non-Recurring Charges - New EEL (Note 2)(Note 3) | | | | |

BELLSOUTH/Actel RATES
 NETWORK ELEMENTS
 AND OTHER SERVICES
 ENHANCED EXTENDED LINKS

Attachment 2
 Exhibit C
 Rates Page 65
 Exhibit A

| | | | | | | |
|--|--|---|-------|------------|----------|----------|
| | | New EEL rates are the sum of the individual UNE network elements (interoffice transport and loop [channelization if applicable]). | | | | |
| | | NRC- DS3 interoffice - 1st | U1TF3 | \$154.30 | \$633.41 | \$729.27 |
| | | NRC- DS3 interoffice - Addl | U1TF3 | \$77.50 | \$449.91 | \$411.98 |
| | | NRC-DS3 Local Loop - 1st | UE3PX | \$1,020.45 | \$761.81 | \$829.52 |

BELLSOUTH/Actel RATES
 NETWORK ELEMENTS
 AND OTHER SERVICES
 ENHANCED EXTENDED LINKS

| | | | | | |
|--|--|-------|------------|----------|----------|
| | New EEL rates are the sum of the individual UNE network elements (interoffice transport and loop (channelization if applicable)). | | | | |
| | NRC-DS3 Local Loop - Add'l | UE3PX | \$513.74 | \$545.54 | \$512.23 |
| | NRC-DS3 interoffice channel and DS3 Local Loop Combination - Electronic Svc Order | SOMEK | \$3.17 | \$3.50 | \$3.50 |
| | NRC-DS3 interoffice channel and DS3 Local Loop Combination - Manual Svc Order | SOMAN | \$25.40 | NA | \$19.99 |
| | NRC-DS3 interoffice channel and DS3 Local Loop Combination - Manual Svc Order - | SOMAN | NA | \$37.55 | NA |
| | NRC-DS3 interoffice channel and DS3 Local Loop Combination - Manual Svc Order - | SOMAN | NA | \$37.55 | NA |
| | NRC-DS3 interoffice channel and DS3 Local Loop Combination - Manual Svc Order - | SOMAN | NA | \$18.03 | NA |
| | NRC-DS3 interoffice channel and DS3 Local Loop Combination - Manual Svc Order - | SOMAN | NA | \$18.03 | NA |
| | STS-1 Interoffice Channel and STS-1 Local Loop: | | | | |
| | Recurring Charges | | | | |
| | STS-1 Loop per Facility Termination per month | UDLS1 | \$446.09 | \$421.59 | \$400.21 |
| | STS-1 Loop per mile | 1L5ND | \$11.77 | \$8.90 | \$30.53 |
| | Interoffice Channel - Dedicated - STS-1 - Facility Termination per month | U1TFS | \$1,105.98 | \$788.00 | \$838.65 |
| | Interoffice Channel - Dedicated - STS-1 - per mile per month | 1L5XX | \$4.17 | \$2.72 | \$6.88 |
| | Non-Recurring Charges - New EEL (Note 2)(Note 3) | | | | |
| | NRC- STS-1 interoffice - 1st | U1TFS | \$154.30 | \$633.41 | \$961.62 |
| | NRC- STS-1 interoffice - Add'l | U1TFS | \$77.50 | \$449.91 | \$625.84 |
| | NRC-STS-1 Local Loop - 1st | UDLS1 | \$1,020.45 | \$761.81 | \$829.52 |
| | NRC-STS-1 Local Loop - Add'l | UDLS1 | \$513.74 | \$545.54 | \$512.23 |
| | NRC-STS-1 interoffice channel and STS-1 Local Loop Combination - Electronic Svc Order | SOMEK | \$3.17 | \$3.50 | \$3.50 |
| | NRC-STS-1 interoffice channel and STS-1 Local Loop Combination - Manual Svc Order | SOMAN | \$25.40 | NA | \$19.99 |
| | NRC-STS-1 interoffice channel and STS-1 Local Loop Combination - Manual Svc Order | SOMAN | NA | \$37.96 | NA |
| | NRC-STS-1 interoffice channel and STS-1 Local Loop Combination - Manual Svc Order | SOMAN | NA | \$37.96 | NA |
| | NRC-STS-1 interoffice channel and STS-1 Local Loop Combination - Manual Svc Order | SOMAN | NA | \$18.23 | NA |
| | NRC-STS-1 interoffice channel and STS-1 Local Loop Combination - Manual Svc Order | SOMAN | NA | \$18.23 | NA |
| | DS3 Interoffice Channel and DS1 Local Loop: | | | | |
| | Recurring Charges | | | | |
| | DS1 Loop per month | USLXX | NA | NA | NA |

BELLSOUTH/Actel RATES
NETWORK ELEMENTS
AND OTHER SERVICES
ENHANCED EXTENDED LINKS

Attachment 2
Exhibit C
Rates - Page 67
Exhibit A

| | | | | | |
|--|---|-------|------------|----------|---------|
| | New EEL rates are the sum of the individual UNE network elements (interoffice transport and loop (channelization if applicable). | | | | |
| | DS1 Loop per month, Zone 1 (Note 1) | USLXX | \$64.69 | \$52.40 | NA |
| | DS1 Loop per month, Zone 2 (Note 1) | USLXX | \$94.71 | \$60.51 | NA |
| | DS1 Loop per month, Zone 3 (Note 1) | USLXX | \$206.93 | \$96.18 | NA |
| | DS1 Loop per month, Zone 4 (Note 1) | NA | NA | NA | NA |
| | Interoffice Channel - Dedicated - DS3 - Facility Termination per month | U1TF3 | \$1,121.93 | \$717.60 | NA |
| | Interoffice Channel - Dedicated - DS3 - per mile per month | 1L5XX | \$4.17 | \$6.46 | NA |
| | DS3 Channelized System per month | MQ3 | \$220.97 | \$202.91 | NA |
| | DS3 Interface per month (DS1 COCI) | UC1D1 | \$14.40 | \$0.67 | NA |
| | Non-Recurring Charges - New EEL (Note 2)(Note 3) | | | | |
| | NRC- DS3 Interoffice - 1st | U1TF3 | \$627.78 | \$520.09 | NA |
| | NRC- DS3 Interoffice - Add'l | U1TF3 | \$377.43 | \$282.38 | NA |
| | NRC-DS1 Local Loop - 1st | USLXX | \$338.52 | \$142.64 | NA |
| | NRC-DS1 Local Loop - Add'l | USLXX | \$124.84 | \$94.87 | NA |
| | NRC-DS3 Channelization System - 1st | MQ3 | \$404.85 | \$316.28 | NA |
| | NRC-DS3 Channelization System - Add'l | MQ3 | \$168.26 | \$171.72 | NA |
| | NRC-DS1(COCI)interface card - 1st | UC1D1 | \$12.16 | \$12.02 | NA |
| | NRC-DS1(COCI)interface card -Add'l | UC1D1 | \$8.77 | \$8.66 | NA |
| | NRC-DS3 Interoffice channel and DS1 Local Loop Combination - Electronic Svc Order | SOMEK | \$3.17 | \$3.50 | NA |
| | NRC-DS3 Interoffice channel and DS1 Local Loop Combination - Manual Svc Order | SOMAN | \$25.40 | \$33.63 | NA |
| | NRC-DS3 Interoffice channel and DS1 Local Loop Combination - Manual Svc Order - | SOMAN | NA | NA | NA |
| | NRC-DS3 Interoffice channel and DS1 Local Loop Combination - Manual Svc Order - | SOMAN | NA | \$27.49 | NA |
| | NRC-DS3 Interoffice channel and DS1 Local Loop Combination - Manual Svc Order - | SOMAN | NA | \$19.88 | NA |
| | NRC-DS3 Interoffice channel and DS1 Local Loop Combination - Manual Svc Order - | SOMAN | NA | \$11.85 | NA |
| | | | | | |
| | STS-1 Interoffice Channel and DS1 Local Loop: | | | | |
| | Recurring Charges | | | | |
| | DS1 Loop per month, Zone 1 (Note 1) | USLXX | \$64.69 | \$52.40 | NA |
| | DS1 Loop per month, Zone 2 (Note 1) | USLXX | \$94.71 | \$60.51 | NA |
| | DS1 Loop per month, Zone 3 (Note 1) | USLXX | \$206.93 | \$96.18 | NA |
| | DS1 Loop per month, Zone 4 (Note 1) | NA | NA | NA | NA |
| | Interoffice Channel - Dedicated - STS-1 - Facility Termination per month | U1TFS | \$1,105.98 | \$717.60 | NA |
| | Interoffice Channel - Dedicated - STS-1 - per mile per month | 1L5XX | \$4.17 | \$6.46 | NA |
| | DS3 Channelized System per month | MQ3 | \$220.97 | \$202.91 | NA |
| | DS3 Interface per month (DS1 COCI) | UC1D1 | \$14.40 | \$0.67 | NA |
| | Non-Recurring Charges - New EEL (Note 2)(Note 3) | | | | |
| | NRC-DS1 Local Loop - 1st | USLXX | \$627.78 | \$520.09 | NA |
| | NRC-DS1 Local Loop - Add'l | USLXX | \$377.43 | \$282.38 | NA |
| | NRC- STS-1 Interoffice - 1st | U1TFS | \$154.30 | \$142.64 | NA |
| | NRC- STS-1 Interoffice - Add'l | U1TFS | \$77.50 | \$94.87 | NA |
| | NRC-DS3 Channelization System - 1st | MQ3 | \$404.85 | \$316.28 | NA |
| | NRC-DS3 Channelization System - Add'l | MQ3 | \$168.26 | \$171.72 | NA |
| | NRC-DS1(COCI)interface card - 1st | UC1D1 | \$12.16 | \$12.02 | NA |
| | NRC-DS1(COCI)interface card -Add'l | UC1D1 | \$8.77 | \$8.66 | NA |
| | NRC-STS-1 Interoffice channel and DS1 Local Loop Combination - Electronic Svc Order | SOMEK | \$3.17 | \$3.50 | NA |
| | NRC-STS-1 Interoffice channel and DS1 Local Loop Combination - Manual Svc Order | SOMAN | \$25.40 | NA | NA |
| | NRC-STS-1 Interoffice channel and DS1 Local Loop Combination - Manual Svc Order | SOMAN | NA | \$33.63 | NA |
| | NRC-STS-1 Interoffice channel and DS1 Local Loop Combination - Manual Svc Order | SOMAN | NA | \$27.49 | NA |
| | NRC-STS-1 Interoffice channel and DS1 Local Loop Combination - Manual Svc Order | SOMAN | NA | \$19.88 | NA |
| | NRC-STS-1 Interoffice channel and DS1 Local Loop Combination - Manual Svc Order | SOMAN | NA | \$11.85 | NA |
| | | | | | |
| | 2-wire VG Interoffice Channel and 2-wire VG Local Loop: | | | | |
| | Recurring Charges | | | | |
| | 2-wire VG Loop per month, statewide | JEAL2 | \$20.52 | \$16.51 | \$18.00 |
| | 2-wire VG Loop per month, Zone 1 (Note 1) | UEAL2 | TBD | \$15.40 | \$15.54 |
| | 2-wire VG Loop per month, Zone 2 (Note 1) | UEAL2 | TBD | \$17.78 | \$19.55 |

BELLSOUTH/ACTEL RATES
NETWORK ELEMENTS
AND OTHER SERVICES
ENHANCED EXTENDED LINKS

| | | | | | |
|--|--|-------|----------|----------|----------|
| | New EEL rates are the sum of the individual UNE network elements (interoffice transport and loop [channelization if applicable]). | | | | |
| | 2-wire VG Loop per month, Zone 3 (Note 1) | UEAL2 | TBD | \$28.26 | \$28.02 |
| | 2-wire VG Loop per month, Zone 4 (Note 1) | NA | NA | NA | NA |
| | Interoffice Channel - Dedicated - 2-wire VG - Facility Termination per month | U1TV2 | \$26.52 | \$17.07 | \$18.33 |
| | Interoffice Channel - Dedicated - 2-wire VG - per mile per month | 1L5XX | \$0.01 | \$0.0222 | \$0.0173 |
| | Non-Recurring Charges - New EEL (Note 2)(Note 3) | | | | |
| | NRC- 2-wire VG interoffice - 1st | U1TV2 | \$112.10 | \$79.61 | \$83.35 |
| | NRC- 2-wire VG interoffice - Add'l | U1TV2 | \$67.61 | \$36.08 | \$20.88 |
| | NRC-2-wire VG Local Loop - 1st | UEAL2 | \$38.02 | \$104.17 | \$192.97 |
| | NRC-2-wire VG Local Loop - Add'l | UEAL2 | \$35.15 | \$78.10 | \$140.72 |
| | NRC-2-wire VG interoffice channel and 2-wire VG Local Loop Combination - Electronic | SOMEK | \$3.17 | \$3.50 | \$3.50 |
| | NRC-2-wire VG interoffice channel and 2-wire VG Local Loop Combination - Manual | SOMAN | \$25.40 | NA | \$19.99 |
| | NRC-2-wire VG interoffice channel and 2-wire VG Local Loop Combination - Manual | SOMAN | NA | \$37.88 | NA |
| | NRC-2-wire VG interoffice channel and 2-wire VG Local Loop Combination - Manual | SOMAN | NA | \$27.36 | NA |
| | NRC-2-wire VG interoffice channel and 2-wire VG Local Loop Combination - Manual | SOMAN | NA | NA | NA |
| | NRC-2-wire VG interoffice channel and 2-wire VG Local Loop Combination - Manual | SOMAN | NA | NA | NA |
| | 4-wire VG Interoffice Channel and 4-wire VG Local Loop: | | | | |
| | Recurring Charges | | | | |
| | 4-wire VG Loop per month, Zone 1 (Note 1) | UEAL4 | \$24.26 | NA | NA |
| | 4-wire VG Loop per month, Zone 2 (Note 1) | UEAL4 | \$35.51 | NA | NA |
| | 4-wire VG Loop per month, Zone 3 (Note 1) | UEAL4 | \$78.35 | NA | NA |
| | 4-wire VG Loop per month, Zone 4 (Note 1) | NA | NA | NA | NA |
| | Interoffice Channel - Dedicated - 4-wire VG - Facility Termination per month | U1TV4 | \$23.64 | NA | NA |
| | Interoffice Channel - Dedicated - 4-wire VG - per mile per month | 1L5XX | \$0.0098 | NA | NA |
| | Non-Recurring Charges - New EEL (Note 2)(Note 3) | | | | |
| | NRC- 4-wire VG interoffice - 1st | U1TV4 | \$160.33 | NA | NA |
| | NRC- 4-wire VG interoffice - Add'l | U1TV4 | \$73.44 | NA | NA |
| | NRC-4-wire VG Local Loop - 1st | UEAL4 | \$329.76 | NA | NA |
| | NRC-4-wire VG Local Loop - Add'l | UEAL4 | \$148.55 | NA | NA |
| | NRC-4-wire VG interoffice channel and 4-wire VG Local Loop Combination - Electronic | SOMEK | \$3.17 | NA | NA |
| | NRC-4-wire VG interoffice channel and 4-wire VG Local Loop Combination - Manual | SOMAN | \$25.40 | NA | NA |
| | NRC-4-wire VG interoffice channel and 4-wire VG Local Loop Combination - Manual | SOMAN | NA | NA | NA |
| | NRC-4-wire VG interoffice channel and 4-wire VG Local Loop Combination - Manual | SOMAN | NA | NA | NA |
| | NRC-4-wire VG interoffice channel and 4-wire VG Local Loop Combination - Manual | SOMAN | NA | NA | NA |
| | NRC-4-wire VG interoffice channel and 4-wire VG Local Loop Combination - Manual | SOMAN | NA | NA | NA |
| | 4-wire 56 kbps Interoffice Channel and 4-wire 56kbps Local Loop: | | | | |
| | Recurring Charges | | | | |
| | 4-wire 56kbps Loop per month, Zone 1 (Note 1) | UDL56 | \$39.08 | \$26.44 | \$15.92 |
| | 4-wire 56kbps Loop per month, Zone 2 (Note 1) | UDL56 | \$57.21 | \$26.42 | \$20.79 |
| | 4-wire 56kbps Loop per month, Zone 3 (Note 1) | UDL56 | \$126.22 | \$46.53 | \$27.18 |
| | 4-wire 56kbps Loop per month, Zone 4 (Note 1) | NA | NA | NA | NA |
| | Interoffice Channel - Dedicated - 4-wire 56kbps - Facility Termination per month | U1TD5 | \$23.64 | \$16.45 | \$17.74 |
| | Interoffice Channel - Dedicated - 4-wire 56kbps - per mile per month | 1L5XX | \$0.0098 | \$0.0222 | \$0.1730 |
| | Non-Recurring Charges - New EEL (Note 2)(Note 3) | | | | |
| | NRC- 4-wire 56kbps interoffice - 1st | U1TD5 | \$160.33 | \$79.61 | \$83.35 |
| | NRC- 4-wire 56kbps interoffice - Add'l | U1TD5 | \$73.44 | \$36.08 | \$20.88 |
| | NRC-4-wire 56kbps Local Loop - 1st | UDL56 | \$329.76 | \$348.55 | \$643.00 |
| | NRC-4-wire 56kbps Local Loop - Add'l | UDL56 | \$148.55 | \$241.20 | \$421.28 |
| | NRC-4-wire 56kbps interoffice channel and 4-wire 56kbps Local Loop Combination - | SOMEK | \$3.17 | \$3.50 | \$3.50 |
| | NRC-4-wire 56kbps interoffice channel and 4-wire 56kbps Local Loop Combination - | SOMAN | \$25.40 | NA | \$19.99 |
| | NRC-4-wire 56kbps interoffice channel and 4-wire 56kbps Local Loop Combination - | SOMAN | NA | \$37.88 | NA |
| | NRC-4-wire 56kbps interoffice channel and 4-wire 56kbps Local Loop Combination - | SOMAN | NA | \$27.36 | NA |
| | NRC-4-wire 56kbps interoffice channel and 4-wire 56kbps Local Loop Combination - | SOMAN | NA | NA | NA |
| | NRC-4-wire 56kbps interoffice channel and 4-wire 56kbps Local Loop Combination - | SOMAN | NA | NA | NA |

BELLSOUTH Actual RATES
 NETWORK ELEMENTS
 AND OTHER SERVICES
 ENHANCED EXTENDED LINKS

| | | | | |
|---|-------|----------|----------|----------|
| New EEL rates are the sum of the individual UNE network elements (interoffice transport and loop [channelization if applicable]). | | | | |
| 4-wire 64 kbps Interoffice Channel and 4-wire 64 kbps Local Loop: | | | | |
| Recurring Charges | | | | |
| 4-wire 64kbps Loop per month, Zone 1 (Note 1) | UDL64 | \$39.08 | \$26.44 | \$36.45 |
| 4-wire 64kbps Loop per month, Zone 2 (Note 1) | UDL64 | \$57.21 | \$30.53 | \$45.87 |
| 4-wire 64kbps Loop per month, Zone 3 (Note 1) | UDL64 | \$126.22 | \$46.53 | \$65.75 |
| 4-wire 64kbps Loop per month, Zone 4 (Note 1) | NA | NA | NA | NA |
| Interoffice Channel - Dedicated - 4-wire 64kbps - Facility Termination per month | U1TD6 | \$19.31 | \$16.45 | \$17.74 |
| Interoffice Channel - Dedicated - 4-wire 64kbps - per mile per month | 1L5XX | \$0.0098 | \$0.0222 | \$0.1730 |
| Non-Recurring Charges - New EEL (Note 2)(Note 3) | | | | |
| NRC- 4-wire 64kbps interoffice - 1st | U1TD6 | \$160.33 | \$79.61 | \$729.27 |
| NRC- 4-wire 64kbps interoffice - Add'l | U1TD6 | \$73.44 | \$38.08 | \$411.98 |
| NRC-4-wire 64kbps Local Loop - 1st | UDL64 | \$329.76 | \$348.55 | \$829.52 |
| NRC-4-wire 64kbps Local Loop - Add'l | UDL64 | \$148.55 | \$241.20 | \$512.23 |
| NRC-4-wire 64kbps interoffice channel and 4-wire 64kbps Local Loop Combination - 1st | SOMEK | \$3.17 | \$3.50 | \$3.50 |
| NRC-4-wire 64kbps interoffice channel and 4-wire 64kbps Local Loop Combination - Add'l | SOMAN | \$25.40 | NA | \$19.99 |
| NRC-4-wire 64kbps interoffice channel and 4-wire 64kbps Local Loop Combination - 1st | SOMAN | NA | \$37.55 | NA |
| NRC-4-wire 64kbps interoffice channel and 4-wire 64kbps Local Loop Combination - Add'l | SOMAN | NA | \$37.55 | NA |
| NRC-4-wire 64kbps interoffice channel and 4-wire 64kbps Local Loop Combination - 1st | SOMAN | NA | \$18.03 | NA |
| NRC-4-wire 64kbps interoffice channel and 4-wire 64kbps Local Loop Combination - Add'l | SOMAN | NA | \$18.03 | NA |
| Network Elements used in Bundling Combinations at UNE Rates (Note 4) | | | | |
| Local Loop: | | | | |
| 2-Wire Analog Voice Grade Loop - Service Level 2 | | | | |
| 2-Wire Analog Voice Grade Loop - per mile per month | UNCVX | \$0.00 | \$0.00 | \$0.00 |
| 2-Wire Analog Voice Grade Loop - per month | UEAL2 | NA | NA | NA |
| Zone 1 | UEAL2 | \$20.52 | \$15.40 | \$15.54 |
| Zone 2 | UEAL2 | TBD | \$17.78 | \$19.55 |
| Zone 3 | UEAL2 | TBD | \$28.26 | \$28.02 |
| Zone 4 | UEAL2 | NA | NA | NA |
| NRC - Ordinarly Combined in GA (Note 5) | | | | |
| NRC - 1st | UEAL2 | NA | \$104.17 | NA |
| NRC - Add'l | UEAL2 | NA | \$78.10 | NA |
| NRC - Disconnect Charge - 1st | UEAL2 | NA | NA | NA |
| NRC - Disconnect Charge - Add'l | UEAL2 | NA | NA | NA |
| NRC - Electronic Svc Order, per LSR | SOMEK | NA | \$3.50 | NA |
| NRC - Incremental Charge - Manual Service Order - 1st | SOMAN | NA | \$18.94 | NA |
| NRC - Incremental Charge - Manual Service Order - Add'l | SOMAN | NA | \$6.42 | NA |
| NRC - Incremental Charge - Manual Service Order - Disconnect | SOMAN | NA | NA | NA |
| NRC-All Existing Combination "Switch As Is" Conversion Charge (Note 5) | | | | |
| NRC-2/4-WIRE COMBINATION - "Switch As Is" Conversion Charge - 1st | UNCCC | \$32.75 | \$58.43 | \$54.13 |
| NRC-2/4-WIRE COMBINATION - "Switch As Is" Conversion Charge - Add'l | UNCCC | \$32.75 | \$26.99 | \$32.17 |
| NRC- 2/4-WIRE COMBINATION - "Switch As Is" Conversion Charge - Disconnect - 1st | UNCCC | \$16.77 | \$12.61 | \$0.00 |
| NRC- 2/4-WIRE COMBINATION - "Switch As Is" Conversion Charge - Disconnect - Add'l | UNCCC | \$16.77 | \$12.61 | \$0.00 |
| 2-Wire Analog Voice Grade Loop - Service Level 2 - (reverse battery) | | | | |
| 2-Wire Analog Voice Grade Loop - Loop Start - per mile per month | 1L5ND | \$0.00 | \$0.00 | \$0.00 |
| 2-Wire Analog Voice Grade Loop - Rev Bat - per month | UEAR2 | \$20.52 | NA | NA |
| Zone 1 | UEAR2 | \$23.23 | \$16.84 | \$15.54 |
| Zone 2 | UEAR2 | \$22.43 | \$19.45 | \$19.55 |
| Zone 3 | UEAR2 | \$27.87 | \$30.92 | \$28.02 |
| Zone 4 | UEAR2 | NA | NA | NA |
| NRC - Ordinarly Combined in GA (Note 5) | | | | |
| NRC - 1st | UEAR2 | NA | \$104.17 | NA |
| NRC - Add'l | UEAR2 | NA | \$78.10 | NA |

BELLSOUTH Actel RATES
NETWORK ELEMENTS
AND OTHER SERVICES
ENHANCED EXTENDED LINKS

| | | | | | |
|--|---|--------|----------|----------|---------|
| | New EEL rates are the sum of the individual UNE network elements (interoffice transport and loop [channelization if applicable]). | | | | |
| | NRC - Disconnect Charge - 1st | UEAR2 | NA | NA | NA |
| | NRC - Disconnect Charge - Add'l | UEAR2 | NA | NA | NA |
| | NRC - Electronic Svc Order, per LSR | SOMECC | NA | \$3.50 | NA |
| | NRC - Incremental Charge - Manual Service Order - 1st | SOMAN | NA | \$18.94 | NA |
| | NRC - Incremental Charge - Manual Service Order - Add'l | SOMAN | NA | \$8.42 | NA |
| | NRC - Incremental Charge - Manual Service Order - Disconnect | SOMAN | NA | NA | NA |
| | NRC-All Existing Combination "Switch As Is" Conversion Charge (Note 5) | | | | |
| | NRC-2/4-WIRE COMBINATION - "Switch As Is" Conversion Charge - 1st | UNCCC | \$32.75 | \$58.43 | \$54.13 |
| | NRC-2/4-WIRE COMBINATION - "Switch As Is" Conversion Charge - Add'l | UNCCC | \$32.75 | \$26.99 | \$32.17 |
| | NRC-2/4-WIRE COMBINATION - "Switch As Is" Conversion Charge - Disconnect - 1st | UNCCC | \$16.77 | \$12.61 | \$0.00 |
| | NRC-2/4-WIRE COMBINATION - "Switch As Is" Conversion Charge - Disconnect - Add'l | UNCCC | \$16.77 | \$12.61 | \$0.00 |
| | 4-Wire Analog Voice Grade Loop | | | | |
| | 4-Wire Analog Voice Grade Loop per mile per month | | | | |
| | Zone 1 | 1L5ND | \$0.00 | \$0.00 | \$0.00 |
| | Zone 2 | UEAL4 | \$24.26 | \$22.88 | \$15.54 |
| | Zone 3 | UEAL4 | \$35.51 | \$26.42 | \$19.55 |
| | Zone 4 | UEAL4 | \$78.35 | \$41.99 | \$28.02 |
| | NRC - Ordinarily Combined in GA (Note 5) | | | | |
| | NRC - 1st | UEAL4 | NA | \$206.95 | NA |
| | NRC - Add'l | UEAL4 | NA | \$170.57 | NA |
| | NRC - Disconnect Charge - 1st | UEAL4 | NA | NA | NA |
| | NRC - Disconnect Charge - Add'l | UEAL4 | NA | NA | NA |
| | NRC - Electronic Svc Order, per LSR | SOMECC | NA | \$3.50 | NA |
| | NRC - Incremental Charge - Manual Service Order - 1st | SOMAN | NA | NA | NA |
| | NRC - Incremental Charge - Manual Service Order - Add'l | SOMAN | NA | \$8.42 | NA |
| | NRC - Incremental Charge - Manual Service Order - Disconnect | SOMAN | NA | NA | NA |
| | NRC-All Existing Combination "Switch As Is" Conversion Charge (Note 5) | | | | |
| | NRC-2/4-WIRE COMBINATION - "Switch As Is" Conversion Charge - 1st | UNCCC | \$32.75 | \$58.43 | \$54.13 |
| | NRC-2/4-WIRE COMBINATION - "Switch As Is" Conversion Charge - Add'l | UNCCC | \$32.75 | \$26.99 | \$32.17 |
| | NRC-2/4-WIRE COMBINATION - "Switch As Is" Conversion Charge - Disconnect - 1st | UNCCC | \$16.77 | \$12.61 | \$0.00 |
| | NRC-2/4-WIRE COMBINATION - "Switch As Is" Conversion Charge - Disconnect - Add'l | UNCCC | \$16.77 | \$12.61 | \$0.00 |
| | 2-Wire ISDN Digital Grade Loop | | | | |
| | 2-Wire ISDN Loop per mile per month | | | | |
| | Zone 1 | U1L2X | NA | NA | NA |
| | Zone 2 | U1L2X | \$32.34 | \$21.89 | \$15.54 |
| | Zone 3 | U1L2X | \$47.35 | \$25.27 | \$19.55 |
| | Zone 4 | U1L2X | \$104.47 | \$40.17 | \$28.02 |
| | NRC - Ordinarily Combined in GA (Note 5) | | | | |
| | NRC - 1st | U1L2X | NA | \$233.38 | NA |
| | NRC - Add'l | U1L2X | NA | \$180.35 | NA |
| | NRC - Disconnect Charge - 1st | U1L2X | NA | NA | NA |
| | NRC - Disconnect Charge - Add'l | U1L2X | NA | NA | NA |
| | NRC - Electronic Svc Order, per LSR | SOMECC | NA | \$3.50 | NA |
| | NRC - Incremental Charge - Manual Service Order - 1st | SOMAN | NA | \$18.94 | NA |
| | NRC - Incremental Charge - Manual Service Order - Add'l | SOMAN | NA | \$8.42 | NA |
| | NRC - Incremental Charge - Manual Service Order - Disconnect | SOMAN | NA | NA | NA |
| | NRC-All Existing Combination "Switch As Is" Conversion Charge (Note 5) | | | | |
| | NRC-2/4-WIRE COMBINATION - "Switch As Is" Conversion Charge - 1st | UNCCC | \$32.75 | \$58.43 | \$54.13 |
| | NRC-2/4-WIRE COMBINATION - "Switch As Is" Conversion Charge - Add'l | UNCCC | \$32.75 | \$26.99 | \$32.17 |
| | NRC-2/4-WIRE COMBINATION - "Switch As Is" Conversion Charge - Disconnect - 1st | UNCCC | \$16.77 | \$12.61 | \$0.00 |
| | NRC-2/4-WIRE COMBINATION - "Switch As Is" Conversion Charge - Disconnect - Add'l | UNCCC | \$16.77 | \$12.61 | \$0.00 |

BELLSOUTH/ACTEL RATES
 NETWORK ELEMENTS
 AND OTHER SERVICES
 ENHANCED EXTENDED LINKS

Attachment 2
 Exhibit C
 Rates - Page 71
 Exhibit A

| | | | | | |
|--|---|--------|----------|----------|---------|
| | New EEL rates are the sum of the individual UNE network elements (interoffice transport and loop [channelization if applicable]). | | | | |
| | 4-Wire 56 kbps Digital Grade Loop | | | | |
| | 4-Wire 56 kbps Digital Grade Loop per mile per month | 1L5ND | \$0.00 | \$0.00 | \$0.00 |
| | 4-Wire 56 kbps Digital Grade Loop per month | UDL56 | NA | NA | NA |
| | Zone 1 | UDL56 | \$33.90 | \$26.44 | \$36.45 |
| | Zone 2 | UDL56 | \$44.72 | \$30.53 | \$45.87 |
| | Zone 3 | UDL56 | \$50.85 | \$46.53 | \$65.75 |
| | Zone 4 | UDL56 | NA | NA | NA |
| | NRC - Ordinarily Combined in GA (Note 6) | | | | |
| | NRC - 1st | UDL56 | NA | \$348.55 | NA |
| | NRC - Add'l | UDL56 | NA | \$241.20 | NA |
| | NRC - Disconnect Charge - 1st | UDL56 | NA | NA | NA |
| | NRC - Disconnect Charge - Add'l | UDL56 | NA | NA | NA |
| | NRC - Electronic Svc Order, per LSR | SOMECD | NA | \$3.50 | NA |
| | NRC - Incremental Charge - Manual Service Order - 1st | SOMAN | NA | \$18.94 | NA |
| | NRC - Incremental Charge - Manual Service Order - Add'l | SOMAN | NA | \$8.42 | NA |
| | NRC - Incremental Charge - Manual Service Order - Disconnect | SOMAN | NA | NA | NA |
| | NRC-All Existing Combination "Switch As Is" Conversion Charge (Note 6) | | | | |
| | NRC-2/4-WIRE COMBINATION - "Switch As Is" Conversion Charge - 1st | UNCCC | \$32.75 | \$58.43 | \$54.13 |
| | NRC-2/4-WIRE COMBINATION - "Switch As Is" Conversion Charge - Add'l | UNCCC | \$32.75 | \$26.99 | \$32.17 |
| | NRC-2/4-WIRE COMBINATION - "Switch As Is" Conversion Charge - Disconnect - 1st | UNCCC | \$16.77 | \$12.61 | \$0.00 |
| | NRC-2/4-WIRE COMBINATION - "Switch As Is" Conversion Charge - Disconnect - Add'l | UNCCC | \$16.77 | \$12.61 | \$0.00 |
| | 4-Wire 64 kbps Digital Grade Loop | | | | |
| | 4-Wire 64 kbps Digital Grade Loop per mile per month | 1L5ND | \$0.00 | \$0.00 | \$0.00 |
| | 4-Wire 64 kbps Digital Grade Loop per month | UDL64 | NA | NA | NA |
| | Zone 1 | UDL64 | \$33.90 | \$26.44 | \$36.45 |
| | Zone 2 | UDL64 | \$44.72 | \$30.53 | \$45.87 |
| | Zone 3 | UDL64 | \$50.85 | \$46.53 | \$65.75 |
| | Zone 4 | UDL64 | NA | NA | NA |
| | NRC - Ordinarily Combined in GA (Note 6) | | | | |
| | NRC - 1st | UDL64 | NA | \$348.55 | NA |
| | NRC - Add'l | UDL64 | NA | \$241.20 | NA |
| | NRC - Disconnect Charge - 1st | UDL64 | NA | NA | NA |
| | NRC - Disconnect Charge - Add'l | UDL64 | NA | NA | NA |
| | NRC - Electronic Svc Order, per LSR | SOMECD | NA | \$3.50 | NA |
| | NRC - Incremental Charge - Manual Service Order - 1st | SOMAN | NA | \$18.94 | NA |
| | NRC - Incremental Charge - Manual Service Order - Add'l | SOMAN | NA | \$8.42 | NA |
| | NRC - Incremental Charge - Manual Service Order - Disconnect | SOMAN | NA | NA | NA |
| | NRC-All Existing Combination "Switch As Is" Conversion Charge (Note 6) | | | | |
| | NRC-2/4-WIRE COMBINATION - "Switch As Is" Conversion Charge - 1st | UNCCC | \$32.75 | \$58.43 | \$54.13 |
| | NRC-2/4-WIRE COMBINATION - "Switch As Is" Conversion Charge - Add'l | UNCCC | \$32.75 | \$26.99 | \$32.17 |
| | NRC-2/4-WIRE COMBINATION - "Switch As Is" Conversion Charge - Disconnect - 1st | UNCCC | \$16.77 | \$12.61 | \$0.00 |
| | NRC-2/4-WIRE COMBINATION - "Switch As Is" Conversion Charge - Disconnect - Add'l | UNCCC | \$16.77 | \$12.61 | \$0.00 |
| | 4-Wire DS1 Digital Loop | | | | |
| | 4-Wire DS1 Digital Loop per mile per month | 1L5ND | \$0.00 | \$0.00 | \$0.00 |
| | 4-Wire DS1 Digital Loop per month | USLXX | NA | NA | NA |
| | Zone 1 | USLXX | \$64.69 | \$52.40 | NA |
| | Zone 2 | USLXX | \$94.71 | \$60.51 | NA |
| | Zone 3 | USLXX | \$208.93 | \$96.18 | NA |
| | Zone 4 | USLXX | NA | NA | NA |
| | NRC - Ordinarily Combined in GA (Note 6) | | | | |
| | NRC - 1st | USLXX | NA | \$429.98 | NA |
| | NRC - Add'l | USLXX | NA | \$268.18 | NA |
| | NRC - Disconnect Charge - 1st | USLXX | NA | NA | NA |

BELLSOUTH Actual RATES
NETWORK ELEMENTS
AND OTHER SERVICES
ENHANCED EXTENDED LINKS

| | | | | | |
|--|---|-------|----------|----------|----------|
| | New EEL rates are the sum of the individual UNE network elements (interoffice transport and loop [channelization if applicable]). | | | | |
| | NRC - Disconnect Charge - Add'l | USLXX | NA | NA | NA |
| | NRC - Electronic Svc Order, per LSR | SOMEK | NA | \$3.50 | NA |
| | NRC - Incremental Charge - Manual Service Order - 1st | SOMAN | NA | \$18.94 | NA |
| | NRC - Incremental Charge - Manual Service Order - Add'l | SOMAN | NA | \$8.42 | NA |
| | NRC - Incremental Charge - Manual Service Order - Disconnect | SOMAN | NA | NA | NA |
| | NRC-All Existing Combination "Switch As Is" Conversion Charge (Note 6) | | | | |
| | NRC-DS1 COMBINATION - "Switch As Is" Conversion Charge - 1st | UNCCC | \$32.75 | \$58.43 | \$54.13 |
| | NRC-DS1 COMBINATION - "Switch As Is" Conversion Charge - Add'l | UNCCC | \$32.75 | \$26.99 | \$32.17 |
| | NRC-DS1 COMBINATION - "Switch As Is" Conversion Charge - Disconnect - 1st | UNCCC | \$16.77 | \$12.61 | \$0.00 |
| | NRC-DS1 COMBINATION - "Switch As Is" Conversion Charge - Disconnect - Add'l | UNCCC | \$16.77 | \$12.61 | \$0.00 |
| | DS3 Local Loop | | | | |
| | per mile per month | 1L5ND | \$11.77 | \$8.90 | \$30.53 |
| | facility termination per month | UE3PX | \$404.58 | \$390.34 | \$400.21 |
| | NRC - Ordinarily Combined in GA (Note 5) | | | | |
| | NRC - Facility Termination - 1st | UE3PX | NA | \$639.50 | NA |
| | NRC - Facility Termination - Add'l | UE3PX | NA | \$426.40 | NA |
| | NRC - Facility Termination - Disconnect - 1st | UE3PX | NA | \$122.31 | NA |
| | NRC - Facility Termination - Disconnect - Add'l | UE3PX | NA | \$119.14 | NA |
| | NRC - Manual Svc Order, per LSR | SOMAN | NA | NA | NA |
| | NRC - Manual Svc Order, per LSR disconnect | SOMAN | NA | NA | NA |
| | NRC - Electronic Svc Order, per LSR | SOMEK | NA | \$3.50 | NA |
| | NRC - Electronic Svc Order, per LSR disconnect | SOMEK | NA | NA | NA |
| | NRC - Incremental Charge - Manual Svc Order - 1st | SOMAN | NA | \$37.55 | NA |
| | NRC - Incremental Charge - Manual Svc Order - Add'l | SOMAN | NA | \$37.55 | NA |
| | NRC - Incremental Cost - Manual Svc. Order vs. Elect-Disconnect-1st | SOMAN | NA | \$18.03 | NA |
| | NRC - Incremental Cost - Manual Svc. Order vs. Elect-Disconnect-Add'l | SOMAN | NA | \$18.03 | NA |
| | NRC-All Existing Combination "Switch As Is" Conversion Charge (Note 6) | | | | |
| | NRC-DS3 COMBINATION - "Switch As Is" Conversion Charge - 1st | UNCCC | \$32.75 | \$58.43 | \$54.13 |
| | NRC-DS3 COMBINATION - "Switch As Is" Conversion Charge - Add'l | UNCCC | \$32.75 | \$26.99 | \$32.17 |
| | NRC-DS3 COMBINATION - "Switch As Is" Conversion Charge - Disconnect - 1st | UNCCC | \$16.77 | \$12.61 | \$0.00 |
| | NRC-DS3 COMBINATION - "Switch As Is" Conversion Charge - Disconnect - Add'l | UNCCC | \$16.77 | \$12.61 | \$0.00 |
| | STS-1 Local Loop | | | | |
| | per mile per month | 1L5ND | \$11.77 | \$8.90 | \$30.53 |
| | facility termination per month | UDLS1 | \$446.09 | \$421.59 | \$400.21 |
| | NRC - Ordinarily Combined in GA (Note 6) | | | | |
| | NRC - STS-1 - Facility Termination - 1st | UDLS1 | NA | \$639.50 | NA |
| | NRC - STS-1 - Facility Termination - Add'l | UDLS1 | NA | \$426.40 | NA |
| | NRC - STS-1 - Facility Termination - Disconnect - 1st | UDLS1 | NA | \$122.31 | NA |
| | NRC - STS-1 - Facility Termination - Disconnect - Add'l | UDLS1 | NA | \$119.14 | NA |
| | NRC - Manual Svc Order, per LSR | SOMAN | NA | NA | NA |
| | NRC - Manual Svc Order, per LSR disconnect | SOMAN | NA | NA | NA |
| | NRC - Electronic Svc Order, per LSR | SOMEK | NA | \$3.50 | NA |
| | NRC - Electronic Svc Order, per LSR disconnect | SOMEK | NA | NA | NA |
| | NRC - STS-1 - Incremental Charge - Manual Svc Order - 1st | SOMAN | NA | \$37.55 | NA |
| | NRC - STS-1 - Incremental Charge - Manual Svc Order - Add'l | SOMAN | NA | \$37.55 | NA |
| | NRC - STS-1 - Incremental Cost - Manual Svc. Order vs. Elect-Disconnect-1st | SOMAN | NA | \$18.03 | NA |
| | NRC - STS-1 - Incremental Cost - Manual Svc. Order vs. Elect-Disconnect-Add'l | SOMAN | NA | \$18.03 | NA |
| | NRC-All Existing Combination "Switch As Is" Conversion Charge (Note 6) | | | | |
| | NRC-STB-1 COMBINATION - "Switch As Is" Conversion Charge - 1st | UNCCC | \$32.75 | \$58.43 | \$54.13 |
| | NRC-STB-1 COMBINATION - "Switch As Is" Conversion Charge - Add'l | UNCCC | \$32.75 | \$26.99 | \$32.17 |
| | NRC - STS-1 COMBINATION - "Switch As Is" Conversion Charge - Disconnect - 1st | UNCCC | \$16.77 | \$12.61 | \$0.00 |
| | NRC - STS-1 COMBINATION - "Switch As Is" Conversion Charge - Disconnect - Add'l | UNCCC | \$16.77 | \$12.61 | \$0.00 |

BELLSOUTH/Actel RATES
 NETWORK ELEMENTS
 AND OTHER SERVICES
 ENHANCED EXTENDED LINKS

| | | | | |
|--|---|--------|----------|------------|
| | New EEL rates are the sum of the individual UNE network elements (interoffice transport and loop [channelization if applicable]). | | | |
| | OC-3 Local Loop | | | |
| | per mile per month | 1L5ND | \$8.93 | \$6.75 |
| | facility termination per month | | \$648.80 | \$630.21 |
| | NRC - Ordinarily Combined In GA (Note 5) | | | |
| | NRC - OC3 - Facility Termination - 1st | | NA | \$947.69 |
| | NRC - OC3 - Facility Termination - Add'l | | NA | \$413.00 |
| | NRC - OC3 - Facility Termination - Disconnect - 1st | | NA | \$122.31 |
| | NRC - OC3 - Facility Termination - Disconnect - Add'l | | NA | \$119.14 |
| | NRC - Electronic Svc Order, per LSR | SOMECS | NA | \$3.50 |
| | NRC - OC3 - Incremental Charge - Manual Svc Order - 1st | SOMAN | NA | \$37.55 |
| | NRC - OC3 - Incremental Charge - Manual Svc Order - Add'l | SOMAN | NA | \$37.55 |
| | NRC - OC3 - Incremental Cost - Manual Svc. Order vs. Elect-Disconnect-1st | SOMAN | NA | \$18.03 |
| | NRC - OC3 - Incremental Cost - Manual Svc. Order vs. Elect-Disconnect-Add'l | SOMAN | NA | \$18.03 |
| | NRC-All Existing Combination "Switch As Is" Conversion Charge (Note 6) | | | |
| | NRC-OC-3 COMBINATION - "Switch As Is" Conversion Charge - 1st | UNCCC | \$32.75 | \$58.43 |
| | NRC-OC-3 COMBINATION - "Switch As Is" Conversion Charge - Add'l | UNCCC | \$32.75 | \$26.99 |
| | NRC - OC-3 COMBINATION - "Switch As Is" Conversion Charge - Disconnect - 1st | UNCCC | \$16.77 | \$12.61 |
| | NRC - OC-3 COMBINATION - "Switch As Is" Conversion Charge - Disconnect - Add'l | UNCCC | \$16.77 | \$12.61 |
| | OC-12 Local Loop | | | |
| | per mile per month | 1L5ND | \$11.18 | \$8.31 |
| | facility termination per month | | \$2,068 | \$2,109.00 |
| | NRC - Ordinarily Combined In GA (Note 5) | | | |
| | NRC - OC12 - Facility Termination - 1st | | NA | \$1,162.00 |
| | NRC - OC12 - Facility Termination - Add'l | | NA | \$413.00 |
| | NRC - OC12 - Facility Termination - Disconnect - 1st | | NA | \$122.31 |
| | NRC - OC12 - Facility Termination - Disconnect - Add'l | | NA | \$119.14 |
| | NRC - Electronic Svc Order, per LSR | SOMECS | NA | \$3.50 |
| | NRC - OC12 - Incremental Charge - Manual Svc Order - 1st | SOMAN | NA | \$37.55 |
| | NRC - OC12 - Incremental Charge - Manual Svc Order - Add'l | SOMAN | NA | \$37.55 |
| | NRC - OC12 - Incremental Cost - Manual Svc. Order vs. Elect-Disconnect-1st | SOMAN | NA | \$18.03 |
| | NRC - OC12 - Incremental Cost - Manual Svc. Order vs. Elect-Disconnect-Add'l | SOMAN | NA | \$18.03 |
| | NRC-All Existing Combination "Switch As Is" Conversion Charge (Note 6) | | | |
| | NRC-OC-12 COMBINATION - "Switch As Is" Conversion Charge - 1st | UNCCC | \$32.75 | \$58.43 |
| | NRC-OC-12 COMBINATION - "Switch As Is" Conversion Charge - Add'l | UNCCC | \$32.75 | \$26.99 |
| | NRC - OC-12 COMBINATION - "Switch As Is" Conversion Charge - Disconnect - 1st | UNCCC | \$16.77 | \$12.61 |
| | NRC - OC-12 COMBINATION - "Switch As Is" Conversion Charge - Disconnect - Add'l | UNCCC | \$16.77 | \$12.61 |
| | OC-48 Local Loop | | | |
| | per mile per month | 1L5ND | \$36.67 | \$27.25 |
| | facility termination per month | | \$1,699 | \$1,598.00 |
| | OC-12 Interface on OC-48 Loop per month | | \$592.09 | \$594.80 |
| | NRC - Ordinarily Combined In GA (Note 5) | | | |
| | NRC - OC48 - Facility Termination - 1st | | NA | \$1,162.00 |
| | NRC - OC48 - Facility Termination - Add'l | | NA | \$413.00 |
| | NRC - OC48 - Interface OC12 on OC48 - 1st | | NA | \$539.36 |
| | NRC - OC48 - Interface OC12 on OC48 - Add'l | | NA | \$317.38 |
| | NRC - OC48 - Facility Termination - Disconnect - 1st | | NA | \$122.31 |
| | NRC - OC48 - Facility Termination - Disconnect - Add'l | | NA | \$119.14 |
| | NRC - OC48 - Interface OC12 on OC48 - Disconnect - 1st | | NA | \$122.31 |
| | NRC - OC48 - Interface OC12 on OC48 - Disconnect - Add'l | | NA | \$119.14 |
| | NRC - Electronic Svc Order, per LSR | SOMECS | NA | \$3.50 |
| | NRC - OC48 - Facility Termination - Manual Svc Order vs Electronic-Disconnect | SOMAN | NA | \$37.55 |
| | NRC - OC48 - Facility Termination - Manual Svc Order vs Electronic-Disconnect | SOMAN | NA | \$37.55 |
| | NRC - OC48 - Interface - Manual Svc Order vs Electronic-Disconnect-1st | SOMAN | NA | \$37.55 |

BELLSOUTH/Actual RATES
 NETWORK ELEMENTS
 AND OTHER SERVICES
 ENHANCED EXTENDED LINKS

| | | | | | |
|--|--|-------|---------|----------|---------|
| | New EEL rates are the sum of the individual UNE network elements (interoffice transport and loop [channelization if applicable]). | | | | |
| | NRC - OC48 - Interface - Manual Svc Order vs Electronic-Disconnect-Add'l | SOMAN | NA | \$37.55 | NA |
| | NRC - OC48 - Incremental Charge--Manual Svc Order-1st | SOMAN | NA | \$18.03 | NA |
| | NRC - OC48 - Incremental Charge--Manual Svc Order-Add'l | SOMAN | NA | \$18.03 | NA |
| | NRC - OC48 - Interface OC12 on OC48 - Incremental Charge--Manual Svc Ord | SOMAN | NA | \$18.03 | NA |
| | NRC - OC48 - Interface OC12 on OC48 - Incremental Charge--Manual Svc Ord | SOMAN | NA | \$18.03 | NA |
| | NRC-All Existing Combination "Switch As Is" Conversion Charge (Note 6) | | | | |
| | NRC-OC48 COMBINATION - "Switch As Is" Conversion Charge - 1st | UNCCC | \$32.75 | \$58.43 | \$54.13 |
| | NRC-OC48 COMBINATION - "Switch As Is" Conversion Charge - Add'l | UNCCC | \$32.75 | \$26.99 | \$32.17 |
| | NRC-OC48 COMBINATION - "Switch As Is" Conversion Charge - Disconnect - 1st | UNCCC | \$16.77 | \$12.61 | \$0.00 |
| | NRC-OC48 COMBINATION - "Switch As Is" Conversion Charge - Disconnect - Add'l | UNCCC | \$16.77 | \$12.61 | \$0.00 |
| | | | | | |
| | Local Channels: | | | | |
| | Local Channel - Dedicated - 2-Wire VG | | | | |
| | Monthly Recurring per month | ULDV2 | \$29.33 | \$13.91 | \$19.02 |
| | Monthly Recurring per mile per month | 1L5NC | \$0.00 | \$0.00 | \$0.00 |
| | NRC - Ordinarily Combined in GA (Note 6) | | | | |
| | NRC - 2-wire VG Local Channel - 1st | ULDV2 | NA | \$245.43 | NA |
| | NRC - 2-wire VG Local Channel - Add'l | ULDV2 | NA | \$33.90 | NA |
| | NRC - Electronic Svc Order, per LSR | SOMEK | NA | \$3.50 | NA |
| | NRC - 2-Wire VG - Incremental Charge--Manual Svc Order - 1st | SOMAN | NA | \$33.63 | NA |
| | NRC - 2-Wire VG - Incremental Charge--Manual Svc Order - Add'l | SOMAN | NA | \$27.49 | NA |
| | NRC - 2-Wire VG - Incremental Charge--Manual Svc Order - Disconnect - 1st | SOMAN | NA | \$22.24 | NA |
| | NRC - 2-Wire VG - Incremental Charge--Manual Svc Order - Disconnect - Add'l | SOMAN | NA | \$8.08 | NA |
| | NRC-All Existing Combination "Switch As Is" Conversion Charge (Note 6) | | | | |
| | NRC-2/4-WIRE COMBINATION - "Switch As Is" Conversion Charge - 1st | UNCCC | \$32.75 | \$58.43 | \$54.13 |
| | NRC-2/4-WIRE COMBINATION - "Switch As Is" Conversion Charge - Add'l | UNCCC | \$32.75 | \$26.99 | \$32.17 |
| | NRC-2/4-WIRE COMBINATION - "Switch As Is" Conversion Charge - Disconnect - 1st | UNCCC | \$16.77 | \$12.61 | \$0.00 |
| | NRC-2/4-WIRE COMBINATION - "Switch As Is" Conversion Charge - Disconnect - Add'l | UNCCC | \$16.77 | \$12.61 | \$0.00 |
| | | | | | |
| | Local Channel - Dedicated - 2-Wire VG - Rev Bat. | | | | |
| | Monthly Recurring per month | ULDR2 | \$26.31 | \$13.91 | \$19.02 |
| | Monthly Recurring per mile per month | 1L5NC | \$0.00 | \$0.00 | \$0.00 |
| | NRC - Ordinarily Combined in GA (Note 6) | | | | |
| | NRC - 2-wire VG Local Channel - 1st | ULDR2 | NA | \$245.43 | NA |
| | NRC - 2-wire VG Local Channel - Add'l | ULDR2 | NA | \$33.90 | NA |
| | NRC - Electronic Svc Order, per LSR | SOMEK | NA | \$3.50 | NA |
| | NRC - 2-Wire VG - Incremental Charge--Manual Svc Order - 1st | SOMAN | NA | \$33.63 | NA |
| | NRC - 2-Wire VG - Incremental Charge--Manual Svc Order - Add'l | SOMAN | NA | \$27.49 | NA |
| | NRC - 2-Wire VG - Incremental Charge--Manual Svc Order - Disconnect - 1st | SOMAN | NA | \$22.24 | NA |
| | NRC - 2-Wire VG - Incremental Charge--Manual Svc Order - Disconnect - Add'l | SOMAN | NA | \$8.08 | NA |
| | NRC-All Existing Combination "Switch As Is" Conversion Charge (Note 6) | | | | |
| | NRC-2/4-WIRE COMBINATION - "Switch As Is" Conversion Charge - 1st | UNCCC | \$32.75 | \$58.43 | \$54.13 |
| | NRC-2/4-WIRE COMBINATION - "Switch As Is" Conversion Charge - Add'l | UNCCC | \$32.75 | \$26.99 | \$32.17 |
| | NRC-2/4-WIRE COMBINATION - "Switch As Is" Conversion Charge - Disconnect - 1st | UNCCC | \$16.77 | \$12.61 | \$0.00 |
| | NRC-2/4-WIRE COMBINATION - "Switch As Is" Conversion Charge - Disconnect - Add'l | UNCCC | \$16.77 | \$12.61 | \$0.00 |
| | | | | | |
| | Local Channel - Dedicated - 4-Wire VG | | | | |
| | Monthly Recurring per month | ULDV4 | \$30.50 | \$14.99 | \$20.14 |
| | Monthly Recurring per mile per month | 1L5NC | \$0.00 | \$0.00 | \$0.00 |
| | NRC - Ordinarily Combined in GA (Note 6) | | | | |
| | NRC-4-wire VG Local Channel - 1st | ULDV4 | NA | \$245.43 | NA |
| | NRC-4-wire VG Local Channel - Add'l | ULDV4 | NA | \$33.90 | NA |
| | NRC - Electronic Svc Order, per LSR | SOMEK | NA | \$3.50 | NA |
| | NRC - 4-Wire VG Local Channel - Incremental Charge--Manual Svc Order - 1st | SOMAN | NA | \$33.63 | NA |
| | NRC - 4-Wire VG Local Channel - Incremental Charge--Manual Svc Order - Add'l | SOMAN | NA | \$27.49 | NA |

BELLSOUTH/ACMI RATES
 NETWORK ELEMENTS
 AND OTHER SERVICES
 ENHANCED EXTENDED LINKS

| | | | | | |
|--|---|-------|----------|----------|----------|
| | New EEL rates are the sum of the individual UNE network elements (Interoffice transport and loop (channelization if applicable)). | | | | |
| | NRC - 4-Wire VG Local Channel - Incremental Charge-Manual Svc Order - Disconnect | SOMAN | NA | \$22.24 | NA |
| | NRC - 4-Wire VG Local Channel - Incremental Charge-Manual Svc Order - Disconnect | SOMAN | NA | \$8.08 | NA |
| | NRC-All Existing Combination "Switch As Is" Conversion Charge (Note 6) | | | | |
| | NRC-2/4-WIRE COMBINATION - "Switch As Is" Conversion Charge - 1st | UNCCC | \$32.75 | \$58.43 | \$54.13 |
| | NRC-2/4-WIRE COMBINATION - "Switch As Is" Conversion Charge - Add'l | UNCCC | \$32.75 | \$26.99 | \$32.17 |
| | NRC-2/4-WIRE COMBINATION - "Switch As Is" Conversion Charge - Disconnect - 1st | UNCCC | \$16.77 | \$12.61 | \$0.00 |
| | NRC-2/4-WIRE COMBINATION - "Switch As Is" Conversion Charge - Disconnect - Add'l | UNCCC | \$16.77 | \$12.61 | \$0.00 |
| | Local Channel - Dedicated - DS1 | | | | |
| | DS1 Monthly Recurring per month | ULDF1 | \$43.53 | \$38.36 | \$40.27 |
| | Monthly Recurring per mile per month | 1L5NC | \$0.00 | \$0.00 | \$0.00 |
| | NRC - Ordinarily Combined in GA (Note 5) | | | | |
| | NRC - DS1 Local Channel - 1st | ULDF1 | NA | \$166.88 | NA |
| | NRC - DS1 Local Channel - Add'l | ULDF1 | NA | \$84.14 | NA |
| | NRC - Electronic Svc Order, per LSR | SOMEK | NA | \$3.50 | NA |
| | NRC - DS1 Local Channel - Incremental Charge-Manual Svc Order - 1st | SOMAN | NA | \$65.60 | NA |
| | NRC - DS1 Local Channel - Incremental Charge-Manual Svc Order - Add'l | SOMAN | NA | \$33.53 | NA |
| | NRC - DS1 Local Channel - Incremental Charge-Manual Svc Order - Disconnect - 1st | SOMAN | NA | \$35.76 | NA |
| | NRC - DS1 Local Channel - Incremental Charge-Manual Svc Order - Disconnect - Add'l | SOMAN | NA | \$14.05 | NA |
| | NRC-All Existing Combination "Switch As Is" Conversion Charge (Note 6) | | | | |
| | NRC-DS1 COMBINATION - "Switch As Is" Conversion Charge - 1st | UNCCC | \$32.75 | \$58.43 | \$54.13 |
| | NRC-DS1 COMBINATION - "Switch As Is" Conversion Charge - Add'l | UNCCC | \$32.75 | \$26.99 | \$32.17 |
| | NRC - DS1 COMBINATION - "Switch As Is" Conversion Charge - Disconnect - 1st | UNCCC | \$16.77 | \$12.61 | \$0.00 |
| | NRC - DS1 COMBINATION - "Switch As Is" Conversion Charge - Disconnect - Add'l | UNCCC | \$16.77 | \$12.61 | \$0.00 |
| | Local Channel - Dedicated - DS3 | USOC | FL | GA | TN |
| | DS3 Local Channel - per mile per month | 1L5NC | \$9.32 | \$6.92 | \$23.76 |
| | DS3 Local Channel - Facility Termination per month | ULDF3 | \$556.27 | \$515.91 | \$607.28 |
| | NRC - Ordinarily Combined in GA (Note 5) | | | | |
| | NRC - DS3 Local Channel Facility Termination - 1st | ULDF3 | NA | \$639.50 | NA |
| | NRC - DS3 Local Channel - Facility Termination - Add'l | ULDF3 | NA | \$426.40 | NA |
| | NRC - Electronic Svc Order, per LSR | SOMEK | NA | \$3.50 | NA |
| | NRC - DS3 Local Channel - Incremental Charge-Manual Svc Order - 1st | SOMAN | NA | \$37.55 | NA |
| | NRC - DS3 Local Channel - Incremental Charge-Manual Svc Order - Add'l | SOMAN | NA | \$37.55 | NA |
| | NRC - DS3 Local Channel - Incremental Charge-Manual Svc Order - Disconnect - 1st | SOMAN | NA | \$18.03 | NA |
| | NRC - DS3 Local Channel - Incremental Charge-Manual Svc Order - Disconnect - Add'l | SOMAN | NA | \$18.03 | NA |
| | NRC-All Existing Combination "Switch As Is" Conversion Charge (Note 6) | | | | |
| | NRC-DS3 COMBINATION - "Switch As Is" Conversion Charge - 1st | UNCCC | \$32.75 | \$71.04 | \$54.13 |
| | NRC-DS3 COMBINATION - "Switch As Is" Conversion Charge - Add'l | UNCCC | \$32.75 | \$39.60 | \$32.17 |
| | NRC - DS3 COMBINATION - "Switch As Is" Conversion Charge - Disconnect - 1st | UNCCC | \$16.77 | \$0.00 | \$0.00 |
| | NRC - DS3 COMBINATION - "Switch As Is" Conversion Charge - Disconnect - Add'l | UNCCC | \$16.77 | \$0.00 | \$0.00 |
| | Local Channel - Dedicated - STS-1 | | | | |
| | STS-1 Local Channel - per mile per month | 1L5NC | \$9.32 | \$6.92 | \$25.11 |
| | STS-1 Local Channel - Facility Termination per month | ULDFS | \$569.67 | \$517.56 | \$615.65 |
| | NRC - Ordinarily Combined in GA (Note 5) | | | | |
| | NRC - STS-1 Local Channel Facility Termination - 1st | ULDFS | NA | \$761.81 | NA |
| | NRC - STS-1 Local Channel - Facility Termination - Add'l | ULDFS | NA | \$545.54 | NA |
| | NRC - Electronic Svc Order, per LSR | SOMEK | NA | \$3.50 | NA |
| | NRC - STS-1 Local Channel - Incremental Charge-Manual Svc Order - 1st | SOMAN | NA | \$37.55 | NA |
| | NRC - STS-1 Local Channel - Incremental Charge-Manual Svc Order - Add'l | SOMAN | NA | \$37.55 | NA |
| | NRC - STS-1 Local Channel - Incremental Charge-Manual Svc Order - Disconnect - 1st | SOMAN | NA | \$18.03 | NA |
| | NRC - STS-1 Local Channel - Incremental Charge-Manual Svc Order - Disconnect - Add'l | SOMAN | NA | \$18.03 | NA |
| | NRC-All Existing Combination "Switch As Is" Conversion Charge (Note 6) | | | | |
| | NRC-ST-1 COMBINATION - "Switch As Is" Conversion Charge - 1st | UNCCC | \$32.75 | \$58.43 | \$54.13 |

BELLSOUTH/Actel RATES
NETWORK ELEMENTS
AND OTHER SERVICES
ENHANCED EXTENDED LINKS

Attachment 2
Exhibit C
Rates - Page 76
Exhibit A

| | | | | | |
|--|---|-------|----------|------------|----------|
| | New EEL rates are the sum of the individual UNE network elements (interoffice transport and loop [channelization if applicable]). | | | | |
| | NRC-STS-1 COMBINATION - "Switch As Is" Conversion Charge - Add'l | UNCCC | \$32.75 | \$26.99 | \$32.17 |
| | NRC-STS-1 COMBINATION - "Switch As Is" Conversion Charge - Disconnect - 1st | UNCCC | \$16.77 | \$12.61 | \$0.00 |
| | NRC-STS-1 COMBINATION - "Switch As Is" Conversion Charge - Disconnect - Add'l | UNCCC | \$16.77 | \$12.61 | \$0.00 |
| | Local Channel - OC3 | | | | |
| | Local Channel - OC3 - per Mile | 1L5NC | \$7.83 | \$6.75 | \$23.16 |
| | Local Channel - OC3 - per Facility Termination | TBA | \$940.35 | \$630.21 | \$620.20 |
| | NRC - Ordinarily Combined in GA (Note 5) | | | | |
| | NRC - OC3 - Facility Termination - 1st | TBA | NA | \$947.69 | NA |
| | NRC - OC3 - Facility Termination - Add'l | TBA | NA | \$413.00 | NA |
| | NRC - OC3 - Facility Termination - Disconnect - 1st | TBA | NA | \$122.31 | NA |
| | NRC - OC3 - Facility Termination - Disconnect - Add'l | TBA | NA | \$119.14 | NA |
| | NRC - Electronic Svc Order, per LSR | SOMEK | NA | \$3.50 | NA |
| | NRC - OC3 - Incremental Charge - Manual Svc Order - 1st | SOMAN | NA | \$37.55 | NA |
| | NRC - OC3 - Incremental Charge - Manual Svc Order - Add'l | SOMAN | NA | \$37.55 | NA |
| | NRC - OC3 - Incremental Cost - Manual Svc Order vs. Elect-Disconnect-1st | SOMAN | NA | \$18.03 | NA |
| | NRC - OC3 - Incremental Cost - Manual Svc. Order vs. Elect-Disconnect-Add'l | SOMAN | NA | \$18.03 | NA |
| | NRC-All Existing Combination "Switch As Is" Conversion Charge (Note 6) | | | | |
| | NRC-OC-3 COMBINATION - "Switch As Is" Conversion Charge - 1st | UNCCC | \$32.75 | \$58.43 | \$54.13 |
| | NRC-OC-3 COMBINATION - "Switch As Is" Conversion Charge - Add'l | UNCCC | \$32.75 | \$26.99 | \$32.17 |
| | NRC-OC-3 COMBINATION - "Switch As Is" Conversion Charge - Disconnect - 1st | UNCCC | \$16.77 | \$12.61 | \$0.00 |
| | NRC-OC-3 COMBINATION - "Switch As Is" Conversion Charge - Disconnect - Add'l | UNCCC | \$16.77 | \$12.61 | \$0.00 |
| | Local Channel - OC12 | | | | |
| | Local Channel - OC12 - per Mile | 1L5NC | \$11.18 | \$8.31 | \$28.51 |
| | Local Channel - OC12 - per Facility Termination | TBA | \$2,753 | \$2,109.00 | \$2,079 |
| | NRC - Ordinarily Combined in GA (Note 5) | | | | |
| | NRC - OC12 - Facility Termination - 1st | TBA | NA | \$1,162.00 | NA |
| | NRC - OC12 - Facility Termination - Add'l | TBA | NA | \$413.00 | NA |
| | NRC - OC12 - Facility Termination - Disconnect - 1st | TBA | NA | \$122.31 | NA |
| | NRC - OC12 - Facility Termination - Disconnect - Add'l | TBA | NA | \$119.14 | NA |
| | NRC - Electronic Svc Order, per LSR | SOMEK | NA | \$3.50 | NA |
| | NRC - OC12 - Incremental Charge - Manual Svc Order - 1st | SOMAN | NA | \$37.55 | NA |
| | NRC - OC12 - Incremental Charge - Manual Svc Order - Add'l | SOMAN | NA | \$37.55 | NA |
| | NRC - OC12 - Incremental Cost - Manual Svc. Order vs. Elect-Disconnect-1st | SOMAN | NA | \$18.03 | NA |
| | NRC - OC12 - Incremental Cost - Manual Svc. Order vs. Elect-Disconnect-Add'l | SOMAN | NA | \$18.03 | NA |
| | NRC-All Existing Combination "Switch As Is" Conversion Charge (Note 6) | | | | |
| | NRC-OC-12 COMBINATION - "Switch As Is" Conversion Charge - 1st | UNCCC | \$32.75 | \$58.43 | \$54.13 |
| | NRC-OC-12 COMBINATION - "Switch As Is" Conversion Charge - Add'l | UNCCC | \$32.75 | \$26.99 | \$32.17 |
| | NRC-OC-12 COMBINATION - "Switch As Is" Conversion Charge - Disconnect - 1st | UNCCC | \$16.77 | \$12.61 | \$0.00 |
| | NRC-OC-12 COMBINATION - "Switch As Is" Conversion Charge - Disconnect - Add'l | UNCCC | \$16.77 | \$12.61 | \$0.00 |
| | Local Channel - OC48 | | | | |
| | Local Channel - OC48 - per Mile | 1L5NC | \$36.67 | \$27.25 | \$93.50 |
| | Local Channel - OC48 - per Facility Termination | TBA | \$1,944 | \$1,596.00 | \$1,832 |
| | Local Channel - OC12 interface on OC48 Facility | TBA | \$586.28 | \$594.80 | \$570.54 |
| | NRC - Ordinarily Combined in GA (Note 5) | | | | |
| | NRC - OC48 - Facility Termination - 1st | TBA | NA | \$1,162.00 | NA |
| | NRC - OC48 - Facility Termination - Add'l | TBA | NA | \$413.00 | NA |
| | NRC - OC48 - Interface OC12 on OC48 - 1st | TBA | NA | \$539.36 | NA |
| | NRC - OC48 - Interface OC12 on OC48 - Add'l | TBA | NA | \$317.38 | NA |
| | NRC - OC48 - Facility Termination - Disconnect - 1st | TBA | NA | \$122.31 | NA |
| | NRC - OC48 - Facility Termination - Disconnect - Add'l | TBA | NA | \$119.14 | NA |
| | NRC - OC48 - Interface OC12 on OC48 - Disconnect - 1st | TBA | NA | \$122.31 | NA |
| | NRC - OC48 - Interface OC12 on OC48 - Disconnect - Add'l | TBA | NA | \$119.14 | NA |

BELLSOUTH Actual RATES
 NETWORK ELEMENTS
 AND OTHER SERVICES
 ENHANCED EXTENDED LINKS

Attachment 2
 Exhibit C
 Rates - Page 77
 Exhibit A

| | | | | | |
|--|---|--------|----------|----------|----------|
| | New EEL rates are the sum of the individual UNE network elements (interoffice transport and loop [channelization if applicable]). | | | | |
| | NRC - Electronic Svc Order, per LSR | SOME C | NA | \$3.50 | NA |
| | NRC - OC48 - Facility Termination-Manual Svc Order vs Electronic-Disconnect-1st | SOMAN | NA | \$18.03 | NA |
| | NRC - OC48 - Facility Termination-Manual Svc Order vs Electronic-Disconnect-Add'l | SOMAN | NA | \$18.03 | NA |
| | NRC - OC48 - Interface - Manual Svc Order vs Electronic-Disconnect-1st | SOMAN | NA | \$18.03 | NA |
| | NRC - OC48 - Interface - Manual Svc Order vs Electronic-Disconnect-Add'l | SOMAN | NA | \$18.03 | NA |
| | NRC - OC48 - Incremental Charge-Manual Svc Order-1st | SOMAN | NA | \$37.55 | NA |
| | NRC - OC48 - Incremental Charge-Manual Svc Order-Add'l | SOMAN | NA | \$37.55 | NA |
| | NRC - OC48 - Interface OC12 on OC48 - Incremental Charge-Manual Svc Order-1st | SOMAN | NA | \$37.55 | NA |
| | NRC - OC48 - Interface OC12 on OC48 - Incremental Charge-Manual Svc Order-Add'l | SOMAN | NA | \$37.55 | NA |
| | NRC-All Existing Combination "Switch As Is" Conversion Charge (Note 6) | | | | |
| | NRC-OC48 COMBINATION - "Switch As Is" Conversion Charge - 1st | UNCCC | \$32.75 | \$58.43 | \$54.13 |
| | NRC-OC48 COMBINATION - "Switch As Is" Conversion Charge - Add'l | UNCCC | \$32.75 | \$26.99 | \$32.17 |
| | NRC - OC48 COMBINATION - "Switch As Is" Conversion Charge - Disconnect - 1st | UNCCC | \$16.77 | \$12.61 | \$0.00 |
| | NRC - OC48 COMBINATION - "Switch As Is" Conversion Charge - Disconnect - Add'l | UNCCC | \$16.77 | \$12.61 | \$0.00 |
| | Interoffice Channels: | | | | |
| | Interoffice Channel - Dedicated - 2-wire VG | | | | |
| | Interoffice Channel - Dedicated 2-wire VG - per mile per month | 1L5XX | \$0.0100 | \$0.0222 | \$0.0173 |
| | Interoffice Channel - Dedicated 2-wire VG - Facility Termination per month | U1TV2 | \$26.72 | \$17.07 | \$18.33 |
| | NRC - Ordinarily Combined In GA (Note 6) | | | | |
| | NRC - 2-wire VG Interoffice Channel - Facility Termination - 1st | U1TV2 | NA | \$79.61 | NA |
| | NRC - 2-wire VG Interoffice Channel - Facility Termination - Add'l | U1TV2 | NA | \$36.08 | NA |
| | NRC - Electronic Svc Order, per LSR | SOME C | NA | \$3.50 | NA |
| | NRC - 2-wire VG Interoffice Channel - Incremental Charge-Manual Svc Order - 1st | SOMAN | NA | \$18.94 | NA |
| | NRC - 2-wire VG Interoffice Channel - Incremental Charge-Manual Svc Order - Add'l | SOMAN | NA | \$18.94 | NA |
| | NRC - 2-wire VG Interoffice Channel - Incremental Charge-Manual Svc Order - Disc | SOMAN | NA | NA | NA |
| | NRC - 2-wire VG Interoffice Channel - Incremental Charge-Manual Svc Order - Disc | SOMAN | NA | NA | NA |
| | NRC-All Existing Combination "Switch As Is" Conversion Charge (Note 6) | | | | |
| | NRC-2/4-WIRE COMBINATION - "Switch As Is" Conversion Charge - 1st | UNCCC | \$32.75 | \$58.43 | \$54.13 |
| | NRC-2/4-WIRE COMBINATION - "Switch As Is" Conversion Charge - Add'l | UNCCC | \$32.75 | \$26.99 | \$32.17 |
| | NRC - 2/4-WIRE COMBINATION - "Switch As Is" Conversion Charge - Disconnect - 1st | UNCCC | \$16.77 | \$12.61 | \$0.00 |
| | NRC - 2/4-WIRE COMBINATION - "Switch As Is" Conversion Charge - Disconnect - Add'l | UNCCC | \$16.77 | \$12.61 | \$0.00 |
| | Interoffice Channel - Dedicated - 4-wire VG | | | | |
| | Interoffice Channel - Dedicated 4-wire VG - per mile per month | 1L5XX | \$0.0100 | NA | NA |
| | Interoffice Channel - Dedicated 4-wire VG - Facility Termination per month | U1TV4 | \$23.82 | NA | NA |
| | NRC - Ordinarily Combined In GA (Note 6) | | | | |
| | NRC - 4-wire VG Interoffice Channel - Facility Termination - 1st | U1TV4 | NA | NA | NA |
| | NRC - 4-wire VG Interoffice Channel - Facility Termination - Add'l | U1TV4 | NA | NA | NA |
| | NRC - Electronic Svc Order, per LSR | SOME C | NA | NA | NA |
| | NRC - 4-wire VG Interoffice Channel - Incremental Charge-Manual Svc Order - 1st | SOMAN | NA | NA | NA |
| | NRC - 4-wire VG Interoffice Channel - Incremental Charge-Manual Svc Order - Add'l | SOMAN | NA | NA | NA |
| | NRC - 4-wire VG Interoffice Channel - Incremental Charge-Manual Svc Order - Disc | SOMAN | NA | NA | NA |
| | NRC - 4-wire VG Interoffice Channel - Incremental Charge-Manual Svc Order - Disc | SOMAN | NA | NA | NA |
| | NRC-All Existing Combination "Switch As Is" Conversion Charge (Note 6) | | | | |
| | NRC-2/4-WIRE COMBINATION - "Switch As Is" Conversion Charge - 1st | UNCCC | \$32.75 | \$58.43 | \$54.13 |
| | NRC-2/4-WIRE COMBINATION - "Switch As Is" Conversion Charge - Add'l | UNCCC | \$32.75 | \$26.99 | \$32.17 |
| | NRC - 2/4-WIRE COMBINATION - "Switch As Is" Conversion Charge - Disconnect - 1st | UNCCC | \$16.77 | \$12.61 | \$0.00 |
| | NRC - 2/4-WIRE COMBINATION - "Switch As Is" Conversion Charge - Disconnect - Add'l | UNCCC | \$16.77 | \$12.61 | \$0.00 |
| | Interoffice Channel - Dedicated - DS0 - 56kbps | | | | |
| | Interoffice Channel - Dedicated - DS0 - 56kbps - per mile per month | 1L5XX | \$0.0100 | \$0.0222 | \$0.1730 |
| | Interoffice Channel - Dedicated - DS0 - 56 kbps - Facility Termination per month | U1TD5 | \$19.46 | \$16.45 | \$17.74 |
| | NRC - Ordinarily Combined In GA (Note 6) | | | | |
| | NRC - 4-wire 56kbps Interoffice Channel - Facility Termination - 1st | U1TD5 | NA | \$79.61 | NA |

BELLSOUTH/Actel RATES
 NETWORK ELEMENTS
 AND OTHER SERVICES
 ENHANCED EXTENDED LINKS

Attachment 2
 Exhibit C
 Rates - Page 78
 Exhibit A

| | | | | | |
|--|---|--------|----------|----------|----------|
| | New EEL rates are the sum of the individual UNE network elements (interoffice transport and loop [channelization if applicable]). | | | | |
| | NRC - 4-wire 56 kbps Interoffice Channel - Facility Termination - Add'l | U1TD5 | NA | \$36.08 | NA |
| | NRC - Electronic Svc Order, per LSR | SOME C | NA | \$3.50 | NA |
| | NRC - 4-wire 56 kbps Interoffice Channel - Incremental Charge--Manual Svc Order - | SOMAN | NA | \$18.94 | NA |
| | NRC - 4-wire 56 kbps Interoffice Channel - Incremental Charge--Manual Svc Order - | SOMAN | NA | \$18.94 | NA |
| | NRC - 4-wire 56 kbps Interoffice Channel - Incremental Charge--Manual Svc Order - | SOMAN | NA | NA | NA |
| | NRC - 4-wire 56 kbps Interoffice Channel - Incremental Charge--Manual Svc Order - | SOMAN | NA | NA | NA |
| | NRC-All Existing Combination "Switch As Is" Conversion Charge (Note 6) | | | | |
| | NRC-2/4-WIRE COMBINATION - "Switch As Is" Conversion Charge - 1st | UNCCC | \$32.75 | \$58.43 | \$54.13 |
| | NRC-2/4-WIRE COMBINATION - "Switch As Is" Conversion Charge - Add'l | UNCCC | \$32.75 | \$26.99 | \$32.17 |
| | NRC-2/4-WIRE COMBINATION - "Switch As Is" Conversion Charge - Disconnect - 1st | UNCCC | \$16.77 | \$12.61 | \$0.00 |
| | NRC-2/4-WIRE COMBINATION - "Switch As Is" Conversion Charge - Disconnect - Add'l | UNCCC | \$16.77 | \$12.61 | \$0.00 |
| | Interoffice Channel - Dedicated - DS0 - 64kbps | | | | |
| | Interoffice Channel - Dedicated - DS0 - 64kbps - per mile per month | 1L5XX | \$0.0100 | \$0.0222 | \$0.1730 |
| | Interoffice Channel - Dedicated - DS0 - 64 kbps - Facility Termination per month | U1TD6 | \$19.46 | \$16.45 | \$17.74 |
| | NRC - Ordinarily Combined in GA (Note 5) | | | | |
| | NRC - 4-wire 64 kbps Interoffice Channel - Facility Termination - 1st | U1TD6 | NA | \$79.61 | NA |
| | NRC - 4-wire 64 kbps Interoffice Channel - Facility Termination - Add'l | U1TD6 | NA | \$36.08 | NA |
| | NRC - Electronic Svc Order, per LSR | SOME C | NA | \$3.50 | NA |
| | NRC - 4-wire 64 kbps Interoffice Channel - Incremental Charge--Manual Svc Order - | SOMAN | NA | \$18.94 | NA |
| | NRC - 4-wire 64 kbps Interoffice Channel - Incremental Charge--Manual Svc Order - | SOMAN | NA | \$18.94 | NA |
| | NRC - 4-wire 64 kbps Interoffice Channel - Incremental Charge--Manual Svc Order - | SOMAN | NA | NA | NA |
| | NRC - 4-wire 64 kbps Interoffice Channel - Incremental Charge--Manual Svc Order - | SOMAN | NA | NA | NA |
| | NRC-All Existing Combination "Switch As Is" Conversion Charge (Note 6) | | | | |
| | NRC-2/4-WIRE COMBINATION - "Switch As Is" Conversion Charge - 1st | UNCCC | \$32.75 | \$58.43 | \$54.13 |
| | NRC-2/4-WIRE COMBINATION - "Switch As Is" Conversion Charge - Add'l | UNCCC | \$32.75 | \$26.99 | \$32.17 |
| | NRC-2/4-WIRE COMBINATION - "Switch As Is" Conversion Charge - Disconnect - 1st | UNCCC | \$16.77 | \$12.61 | \$0.00 |
| | NRC-2/4-WIRE COMBINATION - "Switch As Is" Conversion Charge - Disconnect - Add'l | UNCCC | \$16.77 | \$12.61 | \$0.00 |
| | Interoffice Channel - Dedicated - DS1 | | | | |
| | Interoffice Channel - Dedicated - DS1 - per mile per month | 1L5XX | \$0.6013 | \$0.4523 | \$0.3525 |
| | Interoffice Channel - Dedicated - DS1 - Facility Termination per month | U1TF1 | \$99.79 | \$78.47 | \$75.83 |
| | NRC - Ordinarily Combined in GA (Note 5) | | | | |
| | NRC - DS1 Interoffice Channel - Facility Termination - 1st | U1TF1 | NA | \$169.57 | NA |
| | NRC - DS1 Interoffice Channel - Facility Termination - Add'l | U1TF1 | NA | \$112.77 | NA |
| | NRC - Electronic Svc Order, per LSR | SOME C | NA | \$3.50 | NA |
| | NRC - DS1 Interoffice Channel - Incremental Charge--Manual Svc Order - 1st | SOMAN | NA | \$23.98 | NA |
| | NRC - DS1 Interoffice Channel - Incremental Charge--Manual Svc Order - Add'l | SOMAN | NA | \$17.77 | NA |
| | NRC - DS1 Interoffice Channel - Incremental Charge--Manual Svc Order - Disconnect | SOMAN | NA | \$15.13 | NA |
| | NRC - DS1 Interoffice Channel - Incremental Charge--Manual Svc Order - Disconnect | SOMAN | NA | \$7.02 | NA |
| | NRC-All Existing Combination "Switch As Is" Conversion Charge (Note 6) | | | | |
| | NRC-DS1 COMBINATION - "Switch As Is" Conversion Charge - 1st | UNCCC | \$32.75 | \$58.43 | \$54.13 |
| | NRC-DS1 COMBINATION - "Switch As Is" Conversion Charge - Add'l | UNCCC | \$32.75 | \$26.99 | \$32.17 |
| | NRC-DS1 COMBINATION - "Switch As Is" Conversion Charge - Disconnect - 1st | UNCCC | \$16.77 | \$12.61 | \$0.00 |
| | NRC-DS1 COMBINATION - "Switch As Is" Conversion Charge - Disconnect - Add'l | UNCCC | \$16.77 | \$12.61 | \$0.00 |
| | Interoffice Channel - Dedicated - DS3 - per mile per month | | | | |
| | Interoffice Channel - Dedicated - DS3 - per mile per month | 1L5XX | \$4.25 | \$6.46 | \$6.88 |
| | Interoffice Channel - Dedicated - DS3 - Facility Termination per month | U1TF3 | \$1,130 | \$717.60 | \$840.61 |
| | NRC - Ordinarily Combined in GA (Note 5) | | | | |
| | NRC - DS3 Interoffice Channel - Facility Termination - 1st | U1TF3 | NA | \$578.97 | NA |
| | NRC - DS3 Interoffice Channel - Facility Termination - Add'l | U1TF3 | NA | \$312.17 | NA |
| | NRC - Electronic Svc Order, per LSR | SOME C | NA | \$3.50 | NA |
| | NRC - DS3 Interoffice Channel - Incremental Charge--Manual Svc Order - 1st | SOMAN | NA | \$51.27 | NA |
| | NRC - DS3 Interoffice Channel - Incremental Charge--Manual Svc Order - Add'l | SOMAN | NA | \$38.87 | NA |

BELLSOUTH/ACSL RATES
NETWORK ELEMENTS
AND OTHER SERVICES
ENHANCED EXTENDED LINKS

Attachment 2
Exhibit C
Rates Page 79
Exhibit A

| | | | | | |
|--|---|-------|----------|------------|----------|
| | New EEL rates are the sum of the individual UNE network elements (interoffice transport and loop [channelization if applicable]). | | | | |
| | NRC - DS3 Interoffice Channel - Incremental Charge--Manual Svc Order - Disconnect | SOMAN | NA | \$30.42 | NA |
| | NRC - DS3 Interoffice Channel - Incremental Charge--Manual Svc Order - Disconnect | SOMAN | NA | \$18.76 | NA |
| | NRC-All Existing Combination "Switch As Is" Conversion Charge (Note 6) | | | | |
| | NRC-DS3 COMBINATION - "Switch As Is" Conversion Charge - 1st | UNCCC | \$32.75 | \$58.43 | \$54.13 |
| | NRC-DS3 COMBINATION - "Switch As Is" Conversion Charge - Add'l | UNCCC | \$32.75 | \$26.99 | \$32.17 |
| | NRC- DS3 COMBINATION - "Switch As Is" Conversion Charge - Disconnect - 1st | UNCCC | \$16.77 | \$12.61 | \$0.00 |
| | NRC- DS3 COMBINATION - "Switch As Is" Conversion Charge - Disconnect - Add'l | UNCCC | \$16.77 | \$12.61 | \$0.00 |
| | Interoffice Channel - Dedicated - STS-1 | | | | |
| | Interoffice Channel - Dedicated - STS-1 - per mile per month | 1L5XX | \$9.32 | \$2.72 | \$5.89 |
| | Interoffice Channel - Dedicated - STS-1 - Facility Termination per month | U1TFS | \$569.67 | \$788.00 | \$760.20 |
| | NRC - Ordinarily Combined In GA (Note 5) | | | | |
| | NRC - STS-1 Interoffice Channel - Facility Termination - 1st | U1TFS | NA | \$587.08 | NA |
| | NRC - STS-1 Interoffice Channel - Facility Termination - Add'l | U1TFS | NA | \$238.28 | NA |
| | NRC - Electronic Svc Order, per LSR | SOMEK | NA | \$3.50 | NA |
| | NRC - STS-1 Interoffice Channel - Incremental Charge--Manual Svc Order - 1st | SOMAN | NA | \$61.19 | NA |
| | NRC - STS-1 Interoffice Channel - Incremental Charge--Manual Svc Order - Add'l | SOMAN | NA | \$61.19 | NA |
| | NRC - STS-1 Interoffice Channel - Incremental Charge--Manual Svc Order - Disconnect | SOMAN | NA | \$3.17 | NA |
| | NRC - STS-1 Interoffice Channel - Incremental Charge--Manual Svc Order - Disconnect | SOMAN | NA | \$3.17 | NA |
| | NRC-All Existing Combination "Switch As Is" Conversion Charge (Note 6) | | | | |
| | NRC-STS-1 COMBINATION - "Switch As Is" Conversion Charge - 1st | UNCCC | \$32.75 | \$58.43 | \$54.13 |
| | NRC-STS-1 COMBINATION - "Switch As Is" Conversion Charge - Add'l | UNCCC | \$32.75 | \$26.99 | \$32.17 |
| | NRC - STS-1 COMBINATION - "Switch As Is" Conversion Charge - Disconnect - 1st | UNCCC | \$16.77 | \$12.61 | \$0.00 |
| | NRC - STS-1 COMBINATION - "Switch As Is" Conversion Charge - Disconnect - Add'l | UNCCC | \$16.77 | \$12.61 | \$0.00 |
| | Interoffice Channel - OC3 | | | | |
| | Interoffice Channel - OC3 - per Mile | 1L5XX | \$8.38 | \$4.37 | \$13.45 |
| | Interoffice Channel - OC3 - per Facility Termination | TBA | \$3,043 | \$2,187.00 | \$2,124 |
| | NRC - Ordinarily Combined In GA (Note 5) | | | | |
| | NRC - OC3 - Facility Termination - 1st | TBA | NA | \$947.89 | NA |
| | NRC - OC3 - Facility Termination - Add'l | TBA | NA | \$413.00 | NA |
| | NRC - OC3 - Facility Termination - Disconnect - 1st | TBA | NA | \$122.31 | NA |
| | NRC - OC3 - Facility Termination - Disconnect - Add'l | TBA | NA | \$119.14 | NA |
| | NRC - Electronic Svc Order, per LSR | SOMEK | NA | \$3.50 | NA |
| | NRC - OC3 - Incremental Charge--Manual Svc Order - 1st | SOMAN | NA | \$37.55 | NA |
| | NRC - OC3 - Incremental Charge--Manual Svc Order - Add'l | SOMAN | NA | \$37.55 | NA |
| | NRC - OC3 - Incremental Cost - Manual Svc. Order vs. Elect-Disconnect-1st | SOMAN | NA | \$18.03 | NA |
| | NRC - OC3 - Incremental Cost - Manual Svc. Order vs. Elect-Disconnect-Add'l | SOMAN | NA | \$18.03 | NA |
| | NRC-All Existing Combination "Switch As Is" Conversion Charge (Note 6) | | | | |
| | NRC-OC-3 COMBINATION - "Switch As Is" Conversion Charge - 1st | UNCCC | \$32.75 | \$58.43 | \$54.13 |
| | NRC-OC-3 COMBINATION - "Switch As Is" Conversion Charge - Add'l | UNCCC | \$32.75 | \$26.99 | \$32.17 |
| | NRC- OC-3 COMBINATION - "Switch As Is" Conversion Charge - Disconnect - 1st | UNCCC | \$16.77 | \$12.61 | \$0.00 |
| | NRC- OC-3 COMBINATION - "Switch As Is" Conversion Charge - Disconnect - Add'l | UNCCC | \$16.77 | \$12.61 | \$0.00 |
| | Interoffice Channel - OC12 | | | | |
| | Interoffice Channel - OC12 - per Mile | 1L5XX | \$26.91 | \$15.05 | \$49.80 |
| | Interoffice Channel - OC12 - per Facility Termination | TBA | \$11,685 | \$8,202.00 | \$8,015 |
| | NRC - Ordinarily Combined In GA (Note 5) | | | | |
| | NRC - OC12 - Facility Termination - 1st | TBA | NA | \$1,034.00 | NA |
| | NRC - OC12 - Facility Termination - Add'l | TBA | NA | \$317.38 | NA |
| | NRC - OC12 - Facility Termination - Disconnect - 1st | TBA | NA | \$122.31 | NA |
| | NRC - OC12 - Facility Termination - Disconnect - Add'l | TBA | NA | \$119.14 | NA |
| | NRC - Electronic Svc Order, per LSR | SOMEK | NA | \$3.50 | NA |
| | NRC - OC12 - Incremental Charge - Manual Svc Order - 1st | SOMAN | NA | \$37.55 | NA |
| | NRC - OC12 - Incremental Charge - Manual Svc Order - Add'l | SOMAN | NA | \$37.55 | NA |

BELLSOUTH/Actel RATES
 NETWORK ELEMENTS
 AND OTHER SERVICES
 ENHANCED EXTENDED LINKS

| | | | | | |
|--|---|-------|----------|-------------|----------|
| | New EEL rates are the sum of the individual UNE network elements (interoffice transport and loop (channelization if applicable)). | | | | |
| | NRC - OC12 - Incremental Cost-Manual Svc. Order vs. Elect-Disconnect-1st | SOMAN | NA | \$18.03 | NA |
| | NRC - OC12 - Incremental Cost-Manual Svc. Order vs. Elect-Disconnect-Add'l | SOMAN | NA | \$18.03 | NA |
| | NRC-All Existing Combination "Switch As Is" Conversion Charge (Note 6) | | | | |
| | NRC-OC-12 COMBINATION - "Switch As Is" Conversion Charge - 1st | UNCCC | \$32.75 | \$58.43 | \$54.13 |
| | NRC-OC-12 COMBINATION - "Switch As Is" Conversion Charge - Add'l | UNCCC | \$32.75 | \$26.99 | \$32.17 |
| | NRC - OC-12 COMBINATION - "Switch As Is" Conversion Charge - Disconnect - 1st | UNCCC | \$16.77 | \$12.61 | \$0.00 |
| | NRC - OC-12 COMBINATION - "Switch As Is" Conversion Charge - Disconnect - Add'l | UNCCC | \$16.77 | \$12.61 | \$0.00 |
| | Interoffice Channel - OC48 | | | | |
| | Interoffice Channel - OC48 - per Mile | 1L5XX | \$34.66 | \$25.70 | \$106.55 |
| | Interoffice Channel - OC48 - per Facility Termination | TBA | \$12,554 | \$11,134.00 | \$11,632 |
| | Interoffice Channel - OC12 Interface on OC48 Facility | TBA | \$1,208 | \$1,137.00 | \$1,170 |
| | NRC - Ordinarily Combined in GA (Note 6) | | | | |
| | NRC - OC48 - Facility Termination - 1st | TBA | NA | \$1,034.00 | NA |
| | NRC - OC48 - Facility Termination - Add'l | TBA | NA | \$317.38 | NA |
| | NRC - OC48 - Interface OC12 on OC48 - 1st | TBA | NA | \$539.36 | NA |
| | NRC - OC48 - Interface OC12 on OC48 - Add'l | TBA | NA | \$317.38 | NA |
| | NRC - OC48 - Facility Termination - Disconnect - 1st | TBA | NA | \$122.31 | NA |
| | NRC - OC48 - Facility Termination - Disconnect - Add'l | TBA | NA | \$119.14 | NA |
| | NRC - OC48 - Interface OC12 on OC48 - Disconnect - 1st | TBA | NA | \$122.31 | NA |
| | NRC - OC48 - Interface OC12 on OC48 - Disconnect - Add'l | TBA | NA | \$37.55 | NA |
| | NRC - Electronic Svc Order, per LSR | SOMEK | NA | \$3.50 | NA |
| | NRC - OC48 - Facility Termination-Manual Svc Order vs Electronic-Disconnect-1st | SOMAN | NA | \$37.55 | NA |
| | NRC - OC48 - Facility Termination-Manual Svc Order vs Electronic-Disconnect-Add'l | SOMAN | NA | \$37.55 | NA |
| | NRC - OC48 - Interface - Manual Svc Order vs Electronic-Disconnect-1st | SOMAN | NA | \$37.55 | NA |
| | NRC - OC48 - Interface - Manual Svc Order vs Electronic-Disconnect-Add'l | SOMAN | NA | \$18.03 | NA |
| | NRC - OC-48 - Incremental Charge-Manual Svc Order-1st | SOMAN | NA | \$18.03 | NA |
| | NRC - OC-48 - Incremental Charge-Manual Svc Order-Add'l | SOMAN | NA | \$18.03 | NA |
| | NRC - OC48 - Interface OC12 on OC48 - Incremental Charge-Manual Svc Order-1st | SOMAN | NA | \$18.03 | NA |
| | NRC - OC48 - Interface OC12 on OC48 - Incremental Charge-Manual Svc Order-Add'l | SOMAN | NA | \$18.03 | NA |
| | NRC-All Existing Combination "Switch As Is" Conversion Charge (Note 6) | | | | |
| | NRC-OC-48 COMBINATION - "Switch As Is" Conversion Charge - 1st | UNCCC | \$32.75 | \$58.43 | \$54.13 |
| | NRC-OC-48 COMBINATION - "Switch As Is" Conversion Charge - Add'l | UNCCC | \$32.75 | \$26.99 | \$32.17 |
| | NRC - OC-48 COMBINATION - "Switch As Is" Conversion Charge - Disconnect - 1st | UNCCC | \$16.77 | \$12.61 | \$0.00 |
| | NRC - OC-48 COMBINATION - "Switch As Is" Conversion Charge - Disconnect - Add'l | UNCCC | \$16.77 | \$12.61 | \$0.00 |
| | Channelization: | | | | |
| | DS3 Channelization | | | | |
| | DS3 Channelized System per month | MO3 | \$222.61 | \$182.04 | \$222.98 |
| | DS3 Interface per month (DS1 COC) | UC1D1 | \$14.51 | \$11.02 | \$3.91 |
| | NRC - Ordinarily Combined in GA (Note 6) | | | | |
| | NRC - DS3 Channelization - 1st | MO3 | NA | \$316.28 | NA |
| | NRC - DS3 Channelization - Add'l | MO3 | NA | \$171.72 | NA |
| | NRC - Channel Activation - 1st | UC1D1 | NA | \$12.02 | NA |
| | NRC - Channel Activation - Add'l | UC1D1 | NA | \$8.66 | NA |
| | NRC - Electronic Svc Order, per LSR | SOMEK | NA | \$3.50 | NA |
| | NRC - DS3 Channelization - Incremental Charge-Manual Svc Order - 1st | SOMAN | NA | \$50.72 | NA |
| | NRC - DS3 Channelization - Incremental Charge-Manual Svc Order - Add'l | SOMAN | NA | \$38.45 | NA |
| | NRC - DS3 Channelization - Incremental Charge-Manual Svc Order - Disconnect - 1st | SOMAN | NA | \$30.09 | NA |
| | NRC - DS3 Channelization - Incremental Charge-Manual Svc Order - Disconnect - Add'l | SOMAN | NA | \$18.56 | NA |
| | NRC-All Existing Combination "Switch As Is" Conversion Charge (Note 6) | | | | |
| | NRC-DS3/STS-1 COMBINATION - "Switch As Is" Conversion Charge - 1st | UNCCC | \$32.75 | \$58.43 | \$54.13 |
| | NRC-DS3/STS-1 COMBINATION - "Switch As Is" Conversion Charge - Add'l | UNCCC | \$32.75 | \$26.99 | \$32.17 |
| | NRC - DS3/STS-1 COMBINATION - "Switch As Is" Conversion Charge - Disconnect - 1st | UNCCC | \$16.77 | \$12.61 | \$0.00 |
| | NRC - DS3/STS-1 COMBINATION - "Switch As Is" Conversion Charge - Disconnect - Add'l | UNCCC | \$16.77 | \$12.61 | \$0.00 |

BELLSOUTH Actel RATES
 NETWORK ELEMENTS
 AND OTHER SERVICES
 ENHANCED EXTENDED LINKS

Attachment 2
 Exhibit C
 Rates - Page 81
 Exhibit A

| | | | | | |
|--|---|--------|----------|----------|----------|
| | New EEL rates are the sum of the individual UNE network elements (interoffice transport and loop (channelization if applicable)). | | | | |
| | DS1 Channelization | | | | |
| | DS1 Channelized System per month | MQ1 | \$154.74 | \$126.22 | \$165.21 |
| | OCU-DP(data) interface card per month (2.4-64kbs) | 1D1DD | \$2.22 | \$1.86 | \$2.46 |
| | VG interface card per month | 1D1VG | \$1.46 | \$1.17 | \$1.25 |
| | 2-wire ISDN(BRITE card) per month | UC1CA | \$3.86 | \$3.71 | \$3.33 |
| | NRC - Ordinarily Combined in GA (Note 6) | | | | |
| | NRC - DS1 Channelization - 1st | MQ1 | NA | \$206.09 | NA |
| | NRC - DS1 Channelization - Add'l | MQ1 | NA | \$137.06 | NA |
| | NRC - Channel Activation VG - 1st | 1D1VG | NA | \$12.02 | NA |
| | NRC - Channel Activation VG - Add'l | 1D1VG | NA | \$8.66 | NA |
| | NRC - Channel Activation OCU-DP- 1st | 1D1DD | NA | \$12.02 | NA |
| | NRC - Channel Activation OCU-DP- Add'l | 1D1DD | NA | \$8.66 | NA |
| | NRC - Channel Activation BRITE - 1st | UC1CA | NA | \$12.02 | NA |
| | NRC - Channel Activation BRITE - Add'l | UC1CA | NA | \$8.66 | NA |
| | NRC - Electronic Svc Order, per LSR | SOMECC | NA | \$3.50 | NA |
| | NRC - DS1 Channelization - Incremental Charge - Manual Svc Order - 1st | SOMAN | NA | \$14.75 | NA |
| | NRC - DS1 Channelization - Incremental Charge - Manual Svc Order - Add'l | SOMAN | NA | \$6.55 | NA |
| | NRC - DS1 Channelization - Incremental Charge - Manual Svc Order - Disconnect - 1st | SOMAN | NA | \$10.70 | NA |
| | NRC - DS1 Channelization - Incremental Charge - Manual Svc Order - Disconnect - Add'l | SOMAN | NA | \$0.00 | NA |
| | NRC-All Existing Combination "Switch As Is" Conversion Charge (Note 6) | | | | |
| | NRC-DS1 COMBINATION - "Switch As Is" Conversion Charge - 1st | UNCCC | \$32.75 | \$58.43 | \$54.13 |
| | NRC-DS1 COMBINATION - "Switch As Is" Conversion Charge - Add'l | UNCCC | \$32.75 | \$26.99 | \$32.17 |
| | NRC-DS1 COMBINATION - "Switch As Is" Conversion Charge - Disconnect - 1st | UNCCC | \$16.77 | \$12.61 | \$0.00 |
| | NRC-DS1 COMBINATION - "Switch As Is" Conversion Charge - Disconnect - Add'l | UNCCC | \$16.77 | \$12.61 | \$0.00 |
| | Access to DCS - Customer Reconfiguration (FlexServ) | | | | |
| | DS1 DSC Termination with DS0 Switching | | \$28.72 | \$22.86 | TBD |
| | DS1 DSC Termination with DS1 Switching | | \$12.23 | \$8.64 | TBD |
| | DS3 DSC Termination with DS1 Switching | | \$154.31 | \$151.85 | TBD |
| | NRC - Ordinarily Combined in GA: | | | | |
| | NRC - Customer Configuration Establishment | | \$2.97 | \$2.91 | TBD |
| | NRC - Customer Configuration Establishment - Disconnect | | \$3.44 | \$3.36 | TBD |
| | NRC-DS1 DSC Termination with DS0 Switching - 1st | | \$51.50 | \$32.07 | TBD |
| | NRC-DS1 DSC Termination with DS0 Switching - Add'l | | \$39.64 | \$31.49 | TBD |
| | NRC-DS1 DSC Termination with DS0 Switching - Disconnect - 1st | | \$31.06 | \$20.16 | TBD |
| | NRC-DS1 DSC Termination with DS0 Switching - Disconnect - Add'l | | \$24.96 | \$20.16 | TBD |
| | NRC-DS1 DSC Termination with NRC-DS1 Switching - 1st | | \$37.23 | \$18.07 | TBD |
| | NRC-DS1 DSC Termination with NRC-DS1 Switching - Add'l | | \$25.36 | \$17.49 | TBD |
| | NRC-DS1 DSC Termination with NRC-DS1 Switching - Disconnect - 1st | | \$22.81 | \$12.10 | TBD |
| | NRC-DS1 DSC Termination with NRC-DS1 Switching - Disconnect - Add'l | | \$18.73 | \$12.10 | TBD |
| | NRC-DS3 DSC Termination with DS1 Switching - 1st | | \$51.50 | \$32.07 | TBD |
| | NRC-DS3 DSC Termination with DS1 Switching - Add'l | | \$39.64 | \$31.49 | TBD |
| | NRC-DS3 DSC Termination with DS1 Switching - Disconnect - 1st | | \$31.06 | \$20.16 | TBD |
| | NRC-DS3 DSC Termination with DS1 Switching - Disconnect - Add'l | | \$24.96 | \$20.16 | TBD |
| | NRC-All Existing Combination "Switch As Is" Conversion Charge (Note 6) | | | | |
| | NRC-DCS COMBINATION - "Switch As Is" Conversion Charge - 1st | UNCCC | \$32.75 | \$58.43 | \$54.13 |
| | NRC-DCS COMBINATION - "Switch As Is" Conversion Charge - Add'l | UNCCC | \$32.75 | \$26.99 | \$32.17 |
| | NRC-DCS COMBINATION - "Switch As Is" Conversion Charge - Disconnect - 1st | UNCCC | \$16.77 | \$12.61 | \$0.00 |
| | NRC-DCS COMBINATION - "Switch As Is" Conversion Charge - Disconnect - Add'l | UNCCC | \$16.77 | \$12.61 | \$0.00 |
| | Node (Synchronet) | | | | |
| | Node per month | UNCNT | \$16.35 | \$13.98 | \$17.11 |
| | NRC - Ordinarily Combined in GA: | | | | |
| | NRC - Node - 1st | UNCNT | NA | \$47.19 | NA |

BELLSOUTH/Atel RATES
 NETWORK ELEMENTS
 AND OTHER SERVICES
 ENHANCED EXTENDED LINKS

| | | | | | |
|--|---|-------|----------|----------|----------|
| | New EEL rates are the sum of the individual UNE network elements (interoffice transport and loop [channelization if applicable]). | | | | |
| | NRC - Node - Add'l | UNCNT | NA | \$4.47 | NA |
| | NRC - Node - Disconnect - 1st | UNCNT | NA | \$13.81 | NA |
| | NRC - Node - Disconnect - Add'l | UNCNT | NA | \$3.95 | NA |
| | NRC - Node - Incremental Charge - Manual Service Order - 1st | SOMAN | NA | \$21.73 | NA |
| | NRC - Node - Incremental Charge - Manual Service Order - Add'l | SOMAN | NA | NA | NA |
| | NRC - Node - Incremental Charge - Manual Service Order - Disconnect - 1st | SOMAN | NA | \$3.87 | NA |
| | NRC - Node - Incremental Charge - Manual Service Order - Disconnect - Add'l | SOMAN | NA | NA | NA |
| | NRC-All Existing Combination "Switch As Is" Conversion Charge (Note 6) | | | | |
| | NRC-Node - "Switch As Is" Conversion Charge - 1st | UNCCC | \$32.75 | \$58.43 | \$54.13 |
| | NRC-Node - "Switch As Is" Conversion Charge - Add'l | UNCCC | \$32.75 | \$26.99 | \$32.17 |
| | NRC-Node - "Switch As Is" Conversion Charge - Disconnect - 1st | UNCCC | \$16.77 | \$12.61 | \$0.00 |
| | NRC-Node - "Switch As Is" Conversion Charge - Disconnect - Add'l | UNCCC | \$16.77 | \$12.61 | \$0.00 |
| | Optional Features & Functions: | | | | |
| | NRC - Clear Channel Capability (B8ZS/ESF) Option - Subsequent - per DS1 Channel | CCOEF | \$184.92 | \$184.62 | \$185.16 |
| | NRC - Clear Channel Capability (B8ZS/ESF) Option - Subsequent - per DS1 Channel | CCOEF | \$23.82 | \$23.78 | \$23.85 |
| | NRC - Clear Channel Capability (B8ZS/ESF) Option - Subsequent - per DS1 Channel | CCOEF | \$2.07 | \$2.03 | \$2.03 |
| | NRC - Clear Channel Capability (B8ZS/ESF) Option - Subsequent - per DS1 Channel | CCOEF | \$0.80 | \$0.79 | \$0.79 |
| | NRC - Clear Channel Capability (B8ZS/ESF) Option - Subsequent - Manual Service C | SOMAN | \$21.73 | \$29.33 | \$29.33 |
| | NRC - Clear Channel Capability (B8ZS/ESF) Option - Subsequent - Manual Service C | SOMAN | \$3.87 | \$3.93 | \$3.93 |
| | NRC - Clear Channel Capability (B8ZS/SF) Option - Subsequent - per DS1 Channel | CCOSF | \$184.92 | \$184.62 | \$185.16 |
| | NRC - Clear Channel Capability (B8ZS/SF) Option - Subsequent - per DS1 Channel | CCOSF | \$23.82 | \$23.78 | \$23.85 |
| | NRC - Clear Channel Capability (B8ZS/SF) Option - Subsequent - per DS1 Channel | CCOSF | \$2.07 | \$2.03 | \$2.03 |
| | NRC - Clear Channel Capability (B8ZS/SF) Option - Subsequent - per DS1 Channel | CCOSF | \$0.80 | \$0.79 | \$0.79 |
| | NRC - Clear Channel Capability (B8ZS/SF) Option - Subsequent - Manual Service Or | SOMAN | \$21.73 | \$29.33 | \$29.33 |
| | NRC - Clear Channel Capability (B8ZS/SF) Option - Subsequent - Manual Service C | SOMAN | \$3.87 | \$3.93 | \$3.93 |
| | Notes : | | | | |
| | Interim rates subject to true-up. | | | | |
| | 1 Geographically Deaveraged UNE Zones and applicable rates have been established for certain services, as shown in this Agreement. Where Geographically Deaveraged UNE Zones and applicable rates are established, Statewide rates are obsolete. Further, BellSouth is in the process of enhancing its billing systems in order to accommodate this Geographically Deaveraged UNE Zone Rate Structure. Until these enhancements are accomplished, estimated to be mid 2001, the UNE Zone 1 rate will be billed for all services residing in Zones 1, 2, 3 or 4, i.e., Rates for services residing in UNE Zones 2, 3 and UNE Zone 4, where applicable, will not be billed. Once billing enhancements are complete, all applicable UNE Zone rates reflected in this Agreement will be billed. Reference Internet Website http://www.interconnection.bellsouth.com/become_clec/docs/interconnection/deavuzns.pdf to view Geographically Deaveraged UNE Zone Designations by Central Office. | | | | |
| | 2 New EELs will only be available in the State of Georgia and in density Zone 1 of the following MSAs in the BellSouth Region: | | | | |
| | Florida - Miami, Orlando, Ft. Lauderdale | | | | |
| | Louisiana - New Orleans | | | | |
| | N. Carolina - Greensboro, Charlotte | | | | |
| | Tennessee - Nashville | | | | |
| | 3 Unapproved rates are subject to true up. | | | | |
| | 4 Add together the recurring rates of all the applicable network elements in order to obtain total monthly recurring rate | | | | |
| | * Examples: | | | | |
| | - 2-wire VG Loop + Voice Grade Interface Card + DS1 Channelization System + DS1 Interoffice Channel | | | | |
| | - DS1 Loop + DS1 Interface Card + DS3 Channelization System + DS3 Interoffice Channel | | | | |

BELLSOUTH/Actel RATES
 NETWORK ELEMENTS
 AND OTHER SERVICES
 ENHANCED EXTENDED LINKS

Attachment 2
 Exhibit C
 Rates - Page 63
 Exhibit A

| | | | | | | |
|--|--|--|--|--|--|--|
| | | New EEL rates are the sum of the individual UNE network elements (interoffice transport and loop [channelization if applicable]. | | | | |
| | | - DS3 Local Channel + DS3 Interoffice Channel + DS3 Channelization System + DS1 Interface Card | | | | |
| | | 5 The Ordinary Combined in GA NRC applies to new combinations within the State of Georgia. | | | | |
| | | 6 The "Switch As Is" NRC is a conversion charge. One SAI charge is applicable per circuit. | | | | |

BELLSOUTH/Actix RATES
NETWORK ELEMENTS
AND OTHER SERVICES
OSS/SWA 8XX/DATABASES

Attachment 2
Exhibit C
Rates - Page 84
Exhibit A

| DESCRIPTION | USOC | FL | GA | TN |
|---|-------|-------------|-------------|-------------|
| Recovery of incremental OSS costs, per CLP, per month | | NA | NA | NA |
| RC - OSS OLEC Daily Usage File: Recording, Per Message | | \$0.008 | \$0.0001275 | \$0.008 |
| RC - OSS OLEC Daily Usage File: Message Processing, Per Message | | \$0.004 | \$0.0082548 | \$0.004 |
| RC - OSS OLEC Daily Usage File: Message Distribution, Per Magnetic Tape | | \$54.95 | \$28.85 | \$54.95 |
| RC - OSS OLEC Daily Usage File: Data Transmission (CONNECT:DIRECT), Per | | \$0.001 | \$0.0000434 | \$0.001 |
| Access Daily Usage File (ADUF) | | | | |
| RC - ADUF, Message Processing, per message | | \$0.004 | \$0.0136327 | \$0.004 |
| RC - ADUF, Message Distribution, per Magnetic Tape provisioned | | NA | NA | NA |
| RC - ADUF, Data Transmission (CONNECT:DIRECT), per message | | \$0.001 | \$0.0000434 | \$0.001 |
| Enhanced Optional Daily Usage File (EODUF) | | | | |
| Enhanced Optional Daily Usage File: Message Processing, Per Message | | \$0.004 | \$0.0034555 | \$0.004 |
| Enhanced Optional Daily Usage File: Message Processing, per magnetic tape | | NA | NA | NA |
| Enhanced Optional Daily Usage File: Data Transmission (CONNECT:DIRECT), per | | NA | NA | NA |
| 8XX Access Ten Digit Screening (all types), per call (Note 2) | N/A | \$0.0006531 | \$0.0004868 | \$0.0006192 |
| 8XX Access Ten Digit Screening Svc. W/8XX No. Delivery | | | | |
| per query | N/A | NA | NA | NA |
| for 8XX Numbers, with Optional Complex Features, per query | N/A | NA | NA | NA |
| 8XX Access Ten Digit Screening Svc. W/POTS No. Delivery | | | | |
| per query | N/A | NA | NA | NA |
| with Optional Complex Features, per query | N/A | NA | NA | NA |
| 8XX Access Ten Digit Screening Svc. W/800 No. Delivery | | | | |
| per message | N/A | NA | NA | NA |
| for 8XX Numbers, w/Optional Complex Features, per message | N/A | NA | NA | NA |
| 8XX Access Ten Digit Screening Svc. W/POTS No. Delivery | | | | |
| per message | N/A | NA | NA | NA |
| with Optional Complex Features, per message | N/A | NA | NA | NA |
| Reservation Charge per 8XX number reserved | | | | |
| NRC - 1st | N8R1X | NA | \$6.57 | \$30.00 |
| NRC - Add'l | N8R1X | NA | \$0.76 | \$0.50 |
| NRC - Incremental Charge - Manual Service Order - 1st | SOMAN | NA | \$18.94 | NA |
| NRC - Incremental Charge - Manual Service Order - Add'l | SOMAN | NA | NA | NA |
| Per 8XX # Established w/o POTS (w/8XX No.) Translations | | | | |
| NRC - 1st | N/A | NA | \$12.81 | \$67.50 |
| NRC - Add'l | N/A | NA | \$1.45 | \$1.50 |
| NRC - Disconnect Charge - 1st | N/A | NA | NA | NA |
| NRC - Disconnect Charge - Add'l | N/A | NA | NA | NA |
| NRC - Incremental Charge - Manual Service Order - 1st | SOMAN | NA | \$18.94 | NA |
| NRC - Incremental Charge - Manual Service Order - Add'l | SOMAN | NA | NA | NA |
| NRC - Incremental Charge - Manual Service Order - Disconnect | SOMAN | NA | NA | NA |
| Per 8XX # Established with POTS Translations | | | | |
| NRC - 1st | N8FTX | NA | \$12.81 | \$67.50 |
| NRC - Add'l | N8FTX | NA | \$1.45 | \$1.50 |
| NRC - Disconnect Charge - 1st | N8FTX | NA | NA | NA |
| NRC - Disconnect Charge - Add'l | N8FTX | NA | NA | NA |
| NRC - Incremental Charge - Manual Service Order - 1st | SOMAN | NA | \$18.94 | NA |
| NRC - Incremental Charge - Manual Service Order - Add'l | SOMAN | NA | NA | NA |
| NRC - Incremental Charge - Manual Service Order - Disconnect | SOMAN | NA | NA | NA |
| Customized Area of Service per 8XX Number | | | | |
| NRC - 1st | N8FCX | NA | \$4.46 | \$3.00 |
| NRC - Add'l | N8FCX | NA | \$2.23 | \$1.50 |
| NRC - Incremental Charge - Manual Service Order - 1st | SOMAN | NA | NA | NA |
| NRC - Incremental Charge - Manual Service Order - Add'l | SOMAN | NA | NA | NA |

BELLSOUTH/Actual RATES
 NETWORK ELEMENTS
 AND OTHER SERVICES
 OSS/SWA 8XX/DATABASES

Attachment 2
 Exhibit C
 Rates - Page 85
 Exhibit A

| DESCRIPTION | USOC | FL | GA | TN |
|--|-------|------------|-------------|---------------|
| Multiple Intra LATA Carrier Routing per Carrier Requested per 8XX # | | | | |
| NRC - 1st | N8FMX | NA | \$5.22 | \$3.50 |
| NRC - Add'l | N8FMX | NA | \$2.99 | \$2.00 |
| NRC - Incremental Charge - Manual Service Order - 1st | SOMAN | NA | NA | NA |
| NRC - Incremental Charge - Manual Service Order - Add'l | SOMAN | NA | NA | NA |
| Change Charge per request | | | | |
| NRC - 1st | N8FAX | NA | \$7.33 | \$48.50 |
| NRC - Add'l | N8FAX | NA | \$0.78 | \$0.50 |
| NRC - Incremental Charge - Manual Service Order - 1st | SOMAN | NA | \$18.94 | NA |
| NRC - Incremental Charge - Manual Service Order - Add'l | SOMAN | NA | NA | NA |
| Call Handling and Destination Features | | | | |
| NRC - 1st | N8FDX | NA | \$4.72 | \$3.00 |
| NRC - Add'l | N8FDX | NA | \$4.46 | \$3.00 |
| LIDB Common Transport per query | | | | |
| | OQT | \$0.0003 | \$0.0000338 | \$0.0003 |
| LIDB Validation per query | | | | |
| | OQU | \$0.041003 | \$0.0105974 | \$0.041003 |
| LIDB Originating Point Code Establishment or Change - NRC | | | | |
| | N/A | NA | \$50.30 | NA |
| NRC - Incremental Charge - Electronic Service Order | | NA | NA | NA |
| NRC - Incremental Charge - Manual Service Order - 1st | SOMAN | NA | \$18.94 | \$91.00 |
| NRC - Incremental Charge - Manual Service Order - Add'l | SOMAN | NA | NA | NA |
| CCS7 Signaling Connection, per link (A link) per month | | | | |
| | | \$5.00 | \$17.05 | \$155.00 |
| NRC | | \$400.00 | \$131.96 | \$510.00 |
| NRC - Disconnect | | NA | NA | NA |
| NRC - Incremental Charge - Manual Service Order | SOMAN | NA | \$18.94 | NA |
| NRC - Incremental Charge - Manual Service Order - Disconnect | SOMAN | NA | NA | NA |
| CCS7 Signaling Connection, per link (B link) (also known as D link) per month | | | | |
| | | \$5.00 | \$17.05 | Not available |
| NRC | | \$400.00 | \$131.96 | \$510.00 |
| NRC - Disconnect | | NA | NA | NA |
| NRC - Incremental Charge - Manual Service Order | SOMAN | NA | \$18.94 | NA |
| NRC - Incremental Charge - Manual Service Order - Disconnect | SOMAN | NA | NA | NA |
| CCS7 Signaling Termination, per STP port per month | | | | |
| | | \$113.00 | \$133.99 | \$355.00 |
| CCS7 Signaling Usage, per ISUP message | | | | |
| | | \$0.00001 | \$0.0000354 | \$0.000023 |
| (applicable when measurement and billing capability exists.) | | | | |
| CCS7 Signaling Usage, per TCAP message | | | | |
| | | \$0.00004 | \$0.0000670 | \$0.00005 |
| (applicable when measurement and billing capability exists.) | | | | |
| CCS7 Signaling Usage Surrogate, per link per LATA per mo (9) | | | | |
| | | \$64.00 | \$340.67 | \$395.00 |
| CCS7 Signaling Point Code, Establishment or Change, per STP affected | | | | |
| NRC | | \$62.00 | \$62.00 | \$62.00 |
| Operator Provided Call Handling per min - Using BST LIDB | | | | |
| | N/A | \$1.00 | \$0.9880296 | NA |
| Call Completion Access Termination Charge per call attempt | | | | |
| | N/A | NA | NA | NA |
| Operator Provided Call Handling per min - Using Foreign LIDB | | | | |
| | N/A | \$1.00 | \$1.02 | NA |
| Call Completion Access Termination Charge per call attempt | | | | |
| | N/A | NA | NA | NA |
| Operator Provided Call Handling, per call | | | | |
| | N/A | NA | NA | \$0.30 |
| Fully Automated Call Handling per call - Using BST LIDB | | | | |
| | N/A | \$0.10 | \$0.0776409 | \$0.15 |
| Fully Automated Call Handling per call - Using Foreign LIDB | | | | |
| | N/A | \$0.10 | \$0.0976984 | \$0.15 |
| Professional recording of name (OCP alone) | | | | |
| | US001 | \$7,000.00 | \$7,000.00 | \$7,000.00 |
| Professional recording of name (DA and OCP alone) | | | | |
| | US001 | \$7,000.00 | \$7,000.00 | \$7,000.00 |
| DRAM or front-end loading, per TOPS switch | | | | |
| | US002 | \$250.00 | \$250.00 | \$250.00 |
| AABS or back-end loading, per IVS | | | | |
| | US002 | \$225.00 | \$225.00 | \$225.00 |
| EBAS or 0- automation loading, per NAV shelf | | | | |
| | US002 | \$270.00 | \$270.00 | \$270.00 |
| Recording Charge per Branded Announcement - Disconnect - Initial | | | | |
| | N/A | NA | NA | NA |

BELLSOUTH/Actual RATES
NETWORK ELEMENTS
AND OTHER SERVICES
OSS/SWA BXX/DATABASES

Attachment 2
Exhibit C
Rates Page 86
Exhibit A

| DESCRIPTION | USOC | FL | GA | TN |
|---|-------|------------|-------------|------------|
| Recording Charge per Branded Announcement - Disconnect - Subsequent | N/A | NA | NA | NA |
| Verification, per minute | N/A | NA | \$0.921083 | NA |
| Verification and Emergency Interrupt, per minute | N/A | NA | \$0.921083 | NA |
| Verification, per call | VIL | \$0.80 | NA | \$0.90 |
| Verification and Emergency Interrupt, per call | N/A | \$1.00 | NA | \$1.95 |
| DIRECTORY ASSISTANCE SERVICES | | | | |
| Directory Assist Call Completion Access Svc (DACC), per call attempt | N/A | \$0.10 | \$0.10 | \$0.10 |
| Call Completion Access Term charge per completed call | N/A | NA | NA | NA |
| Number Services Intercept per query | N/A | \$0.01 | \$0.0097497 | \$0.15 |
| Number Services Intercept per Intercept Query Update | N/A | NA | NA | NA |
| Directory Assistance Access Service Calls, per call | N/A | \$0.275 | \$0.275 | \$0.275 |
| Professional recording of name (DA alone) | N/A | \$3,000.00 | \$3,000.00 | \$3,000.00 |
| Professional recording of name (DA and OCP alone) | N/A | \$7,000.00 | \$7,000.00 | \$7,000.00 |
| DRAM or front-end loading, per TOPS switch | N/A | \$250.00 | \$250.00 | \$250.00 |
| AABS or back-end loading, per NS | N/A | \$225.00 | \$225.00 | \$225.00 |
| EBAS or 0- automation loading, per NAV shelf | N/A | \$270.00 | \$270.00 | \$270.00 |
| Recording Charge per Branded Announcement - Disconnect - Initial | N/A | NA | NA | NA |
| Recording Charge per Branded Announcement - Disconnect - Subsequent | N/A | NA | NA | NA |
| Directory Transport - Local Channel DS1, per month | N/A | \$43.64 | \$38.36 | \$133.81 |
| NRC - 1st | N/A | \$242.45 | \$356.15 | \$868.97 |
| NRC - Add'l | N/A | \$226.44 | \$312.89 | \$486.83 |
| NRC - Disconnect Charge - 1st | N/A | NA | NA | NA |
| NRC - Disconnect Charge - Add'l | N/A | NA | NA | NA |
| NRC - Incremental Charge-Manual Svc Order - NRC - 1st | SOMAN | NA | \$44.22 | NA |
| NRC - Incremental Charge-Manual Svc Order - NRC -add'l | | NA | NA | NA |
| NRC - Incremental Charge-Manual Svc Order - NRC-Disconnect | SOMAN | NA | NA | NA |
| Directory Transport - Dedicated DS1 Level Interoffice per mile per mo | N/A | \$0.6013 | \$0.4523 | \$23.00 |
| Directory Transport - Dedicated DS1 Level Interoffice per facility termination per mo | N/A | \$99.79 | \$78.47 | \$90.00 |
| NRC - 1st | N/A | \$45.91 | \$147.07 | \$100.49 |
| NRC - Add'l | N/A | \$44.18 | \$111.75 | \$100.49 |
| NRC - Disconnect Charge - 1st | N/A | NA | NA | NA |
| NRC - Disconnect Charge - Add'l | N/A | NA | NA | NA |
| NRC - Incremental Charge - Manual Service Order - 1st | SOMAN | NA | \$18.94 | NA |
| NRC - Incremental Charge - Manual Service Order - Add'l | SOMAN | NA | NA | NA |
| NRC - Incremental Charge - Manual Service Order - Disconnect - 1st | SOMAN | NA | NA | NA |
| NRC - Incremental Charge - Manual Service Order - Disconnect - Add'l | SOMAN | NA | NA | NA |
| Switched Common Transport per DA Access Service per call | N/A | \$0.0003 | \$0.0002906 | NA |
| Switched Common Transport per DA Access Service per call per mile | N/A | \$0.00001 | \$0.0000188 | NA |
| Access Tandem Switching per DA Access Service per call | N/A | \$0.00055 | \$0.0019152 | NA |
| DA Interconnection, per DA Access Service Call | N/A | NA | \$0.00269 | NA |
| Directory Transport-Installation NRC, per trunk or signaling connection | N/A | | | |
| NRC - 1st | N/A | \$208.08 | \$204.23 | NA |
| NRC - Add'l | N/A | \$4.71 | \$4.42 | NA |
| NRC - Disconnect Charge - 1st | N/A | NA | NA | NA |
| NRC - Disconnect Charge - Add'l | N/A | NA | NA | NA |
| NRC - Incremental Charge - Manual Service Order - 1st | SOMAN | NA | \$44.22 | NA |
| NRC - Incremental Charge - Manual Service Order - Add'l | SOMAN | NA | NA | NA |
| NRC - Manual Service Order - 1st | | NA | NA | NA |
| NRC - Manual Service Order - Add'l | | NA | NA | NA |
| Directory Assistance Database Service charge per listing | N/A | \$0.001 | \$0.0445 | NA |

BELLSOUTH/Actel RATES
NETWORK ELEMENTS
AND OTHER SERVICES
OSS/SWA &XUDATABASES

Attachment 2
Exhibit C
Rates - Page 87
Exhibit A

| DESCRIPTION | USOC | FL | GA | TN |
|---|-------|-----------|-------------|-----|
| Directory Assistance Database Service, per month | DBSOF | \$100.00 | \$95.50 | NA |
| | | | | TBD |
| AIN, per message | CAM | \$0.00004 | NA | NA |
| AIN - BellSouth AIN SMS Access Service | CAM | | | NA |
| Service Establishment Charge, per state, initial set-up | | | | |
| NRC | CAMSE | NA | \$90.25 | NA |
| NRC - Disconnect | CAMSE | NA | NA | NA |
| Port Connection - Dial/Shared Access | | | | |
| NRC | CAMDP | NA | \$29.66 | NA |
| NRC - Disconnect | CAMDP | NA | NA | NA |
| Port Connection - ISDN Access | | | | |
| NRC | CAM1P | NA | \$29.66 | NA |
| NRC - Disconnect | CAM1P | NA | NA | NA |
| User ID Codes - per User ID Code | | | | |
| NRC | CAMAU | NA | \$84.43 | NA |
| NRC - Disconnect | CAMAU | NA | NA | NA |
| Security Card per User ID Code, initial or replacement | | | | |
| NRC | CAMRC | NA | \$35.44 | NA |
| NRC - Disconnect | CAMRC | NA | NA | NA |
| Storage, per unit (100Kb) | N/A | NA | \$0.0023 | NA |
| Session per minute | N/A | NA | \$0.0795804 | NA |
| CO Performed Session, per minute | | | | NA |
| AIN - BellSouth AIN Toolkit Service | | | | |
| AIN, Service Creation Tools | CAMPB | TBD | NA | NA |
| Service Establishment Charge, per state, initial set-up | | | | |
| NRC | BAPSC | NA | \$86.74 | NA |
| NRC - Disconnect | BAPSC | NA | NA | NA |
| Training Session, per customer | | | | |
| NRC | BAPVX | NA | \$8,348.00 | NA |
| NRC - Disconnect | BAPVX | NA | NA | NA |
| Trigger Access Charge, per trigger, per DN, Term. Attempt | | | | |
| NRC | BAPTT | NA | \$19.13 | NA |
| NRC - Disconnect | BAPTT | NA | NA | NA |
| Trigger Access Charge, per trigger per DN, Off-Hook Delay | | | | |
| NRC | BAPTD | NA | \$114.80 | NA |
| NRC - Disconnect | BAPTD | NA | NA | NA |
| Trigger Access Charge, per trigger, per DN, Off-Hook Immediate | | | | |
| NRC | BAPTM | NA | \$19.13 | NA |
| NRC - Disconnect | BAPTM | NA | NA | NA |
| Trigger Access Charge, per trigger, per DN, 10-Digit POOP | | | | |
| NRC | BAPTO | NA | \$70.06 | NA |
| NRC - Disconnect | BAPTO | NA | NA | NA |
| Trigger Access Charge, per trigger, per DN, COP | | | | |
| NRC | BAPTC | NA | \$70.06 | NA |
| NRC - Disconnect | BAPTC | NA | NA | NA |
| Trigger Access Charge, per trigger, per DN, Feature Code | | | | |
| NRC | BAPTF | NA | \$70.06 | NA |
| NRC - Disconnect | BAPTF | NA | NA | NA |
| Query Charge, per query | | | | |
| Type 1 Node Charge, per AIN Toolkit Subscription, per node, per query | | | | |
| | | | \$0.0209223 | NA |
| | | | \$0.0053137 | NA |
| | N/A | NA | \$1.46 | NA |
| Monthly Report - per AIN Toolkit Service Subscription | BAPMS | NA | \$15.96 | NA |
| NRC | BAPMS | NA | \$22.64 | NA |

BELLSOUTH/Actel RATES
NETWORK ELEMENTS
AND OTHER SERVICES
OSS/SWA BOX/DATABASES

Attachment 2
Exhibit C
Rates - Page 88
Exhibit A

| DESCRIPTION | USOC | FL | GA | TN |
|---|-------|----------|-------------|----------|
| NRC - Disconnect | BAPMS | NA | NA | NA |
| Special Study - per AIN Toolkit Service Subscription | BAPLS | NA | \$0.0661109 | NA |
| NRC | BAPLS | NA | \$22.64 | NA |
| NRC - Disconnect | BAPLS | NA | NA | NA |
| Call Event Report - per AIN Toolkit Service Subscription | BAPDS | NA | \$15.87 | NA |
| NRC | BAPDS | NA | \$22.64 | NA |
| NRC - Disconnect | BAPDS | NA | NA | NA |
| Call Event special Study - per AIN Toolkit Service Subscription | BAPES | NA | \$0.0028704 | NA |
| NRC | BAPES | NA | \$22.64 | NA |
| NRC - Disconnect | BAPES | NA | NA | NA |
| CNAM (Database Owner), Per Query | | | | |
| | N/A | \$0.016 | \$0.016 | \$0.016 |
| CNAM (Non-Database Owner), Per Query * | | | | |
| | N/A | \$0.01 | \$0.01 | \$0.01 |
| NRC, applicable when CLEC-1 uses the Character Based User Interface (CHUI) | | | | |
| | N/A | \$595.00 | \$595.00 | \$595.00 |
| * Volume and term arrangements are also available. | | | | |
| Per Line or PBX Trunk, each | | | | |
| NRC | | NA | NA | TBD |
| NRC | | NA | NA | TBD |
| Customized routing per unique line class code, per request, per switch | | | | |
| NRC | USRCR | \$229.65 | \$180.62 | \$229.65 |
| NRC - Incremental Charge - Manual Service Order | | NA | \$18.94 | NA |
| 2-wire Cross-Connect (Loop) | | | | |
| RC | UEAC2 | \$0.0502 | \$0.30 | \$0.30 |
| NRC - 1st | UEAC2 | \$11.57 | \$12.60 | \$19.20 |
| NRC - Add'l | UEAC2 | \$11.57 | \$12.60 | \$19.20 |
| NRC - 1st - Manual Service Order | | NA | NA | NA |
| NRC - Add'l - Manual Service Order | | NA | NA | NA |
| NRC - Disconnect - 1st | UEAC2 | NA | NA | NA |
| NRC - Disconnect - Add'l | UEAC2 | NA | NA | NA |
| 2-wire Cross-Connect (Port) | | | | |
| RC | VE1R2 | \$0.0502 | \$0.30 | \$0.30 |
| NRC - 1st | VE1R2 | \$11.57 | \$12.60 | \$19.20 |
| NRC - Add'l | VE1R2 | \$11.57 | \$12.60 | \$19.20 |
| NRC - 1st - Manual Service Order | | NA | NA | NA |
| NRC - Add'l - Manual Service Order | | NA | NA | NA |
| NRC - Disconnect - 1st | VE1R2 | NA | NA | NA |
| NRC - Disconnect - Add'l | VE1R2 | NA | NA | NA |
| 4-wire Cross-Connect (Loop) | | | | |
| RC | UEAC4 | \$0.0502 | \$0.50 | \$0.50 |
| NRC - 1st | UEAC4 | \$11.57 | \$12.60 | \$19.20 |
| NRC - Add'l | UEAC4 | \$11.57 | \$12.60 | \$19.20 |
| NRC - 1st - Manual Service Order | | NA | NA | NA |
| NRC - Add'l - Manual Service Order | | NA | NA | NA |
| NRC - Disconnect - 1st | UEAC4 | NA | NA | NA |
| NRC - Disconnect - Add'l | UEAC4 | NA | NA | NA |
| 4-wire Cross-Connect (Port) | | | | |
| RC | VE1R4 | \$0.0502 | \$0.50 | \$0.50 |
| NRC - 1st | VE1R4 | \$11.57 | \$12.60 | \$19.20 |
| NRC - Add'l | VE1R4 | \$11.57 | \$12.60 | \$19.20 |
| NRC - 1st - Manual Service Order | | NA | NA | NA |
| NRC - Add'l - Manual Service Order | | NA | NA | NA |
| NRC - Disconnect - 1st | VE1R4 | NA | NA | NA |

BELLSOUTH/Actel RATES
 NETWORK ELEMENTS
 AND OTHER SERVICES
 OSS/SWA &XX/DATABASES

| DESCRIPTION | USOC | FL | GA | TN |
|--|--|----|---------|---------|
| NRC - Disconnect - Add'l | VE1R4 | NA | NA | NA |
| 2-fiber Cross-Connect | | | | |
| RC | CNC2F | NA | \$15.64 | \$15.64 |
| NRC - 1st | CNC2F | NA | \$41.56 | \$41.56 |
| NRC - Add'l | CNC2F | NA | \$29.82 | \$29.82 |
| NRC - Disconnect - 1st | CNC2F | NA | NA | NA |
| NRC - Disconnect - Add'l | CNC2F | NA | NA | NA |
| 4-fiber Cross-Connect | | | | |
| RC | CNC4F | NA | \$28.11 | \$28.11 |
| NRC - 1st | CNC4F | NA | \$50.53 | \$50.53 |
| NRC - Add'l | CNC4F | NA | \$38.78 | \$38.78 |
| NRC - Disconnect - 1st | CNC4F | NA | NA | NA |
| NRC - Disconnect - Add'l | CNC4F | NA | NA | NA |
| D51 Cross-Connects | | | | |
| RC | | NA | NA | NA |
| NRC - 1st | | NA | NA | NA |
| NRC - Add'l | | NA | NA | NA |
| NRC - Manual Service Order - 1st | | NA | NA | NA |
| NRC - Manual Service Order - Add'l | | NA | NA | NA |
| D53 Cross-Connects | | | | |
| RC | | NA | NA | NA |
| NRC - 1st | | NA | NA | NA |
| NRC - Add'l | | NA | NA | NA |
| NRC - Manual Service Order - 1st | | NA | NA | NA |
| NRC - Manual Service Order - Add'l | | NA | NA | NA |
| If no rate is identified in the contract, the rate for the specific service or function will be as set forth in applicable BellSouth tariff or as negotiated by the parties. | | | | |
| transit rates subject to true-up. | | | | |
| 1 | BellSouth and CLEC shall negotiate rates for this offering. If agreement is not reached within sixty (60) days of the Effective Date, either party may petition the Florida PSC to settle the disputed charge or charges. (FL) | | | |
| 2 | This rate element is for those states w/o separate rates for 800 calls with 800 No. Delivery vs. POTS No. Delivery and calls with Optional Complex Features vs. w/o Optional Complex Features. | | | |
| 3 | This charge is only applicable where signaling usage measurement or billing capability does not exist. | | | |
| 4 | Prices for AIN to be determined upon development of mediation device. (TN) | | | |
| 5 | Price for Line Class Codes for Selective Routing shall be determined by the TRA. (TN) | | | |

Attachment 3
Network Interconnection

TABLE OF CONTENTS

| | |
|--|------------------|
| 1. Network Interconnection | 3 |
| 2. Interconnection Trunking Architectures | 7 |
| 3. Network Design And Management For Interconnection..... | 13 |
| 4. Local Dialing Parity..... | 15 |
| 5. Interconnection Compensation | 15 |
| 6. Frame Relay Service..... | 23 |
| 7. Parity..... | 27 |
| 8. Operational Support Systems (OSS) Rates | 26 |
| Rates..... | Exhibit A |
| Basic Architecture..... | Exhibit B |
| One-Way Trunking Architecture..... | Exhibit C |
| Two-Way Trunking Architecture..... | Exhibit D |
| Supergroup Architecture..... | Exhibit E |

The Parties shall provide interconnection with each other's networks for the transmission and routing of telephone exchange service (local) and exchange access (intraLATA toll and switched access) on the following terms:

1. Network Interconnection

All negotiated rates, terms and conditions set forth in this Attachment pertain to the provision of network interconnection.

- 1.1 Interconnection is available to both Parties through: (1) delivery of a Party's facilities to a collocation arrangement or Fiber Meet arrangement as defined in this Agreement; or (2) interconnection via purchase of facilities from the other Party. Interconnection may be provided by the Parties at any other technically feasible point. Requests to BellSouth for interconnection at other points may be made through the Bona Fide Request/New Business Request process set out in General Terms and Conditions.
- 1.2 Actel must establish, at a minimum, a single Point of Presence, Interface, and Interconnection with BellSouth within the LATA for the delivery of Actel's originated local and intraLATA toll traffic and for the receipt and delivery of transit traffic. If Actel chooses to interconnect at a single Point of Interconnection within a LATA, the interconnection must be at a BellSouth Access Tandem. Furthermore, Actel must establish Points of Interconnection at all BellSouth access and local tandems where Actel NXXs are "homed." A "Homing" arrangement is defined by a "Final" Trunk Group between the BellSouth Tandem and Actel End Office switch. A "Final" Trunk Group is the last choice telecommunications path between the Tandem and End Office switch. It is Actel's responsibility to enter its own NPA/NXX access and/or local tandem "homing" arrangements into the national Local Exchange Routing Guide (LERG).
- 1.2.1 In order for Actel to home its NPA/NXX(s) on a BellSouth Tandem, Actel's NPA/NXX(s) must be assigned to an Exchange Rate Center Area served by that BellSouth Tandem and as specified by BellSouth. The specified association between BellSouth Tandems and Exchange Rate Center Areas is defined in the Local Exchange Routing Guide (LERG) as it is revised from time to time.
- 1.3 A **Point of Presence (POP)** is the physical location (a structure where the environmental, power, air conditioning, etc. specifications for a Party's terminating equipment can be met) at which a Party establishes itself for obtaining access to the other Party's network. The POP is the physical location within which the Point of Interfaces occur.

- 1.4 **A Point of Interface** is the physical telecommunications interface between BellSouth and Actel's interconnection functions. It establishes the technical interface and point of operational responsibility. The primary function of the Point of Interface is to serve as the terminus for the interconnection service. The Point of Interface has the following main characteristics:
1. It is a cross-connect point to allow connection, disconnection, transfer or restoration of service.
 2. It is a point where BellSouth and Actel can verify and maintain specific performance objectives.
 3. It is specified according to the interface offered in the tariff or local interconnection agreement (for example: for DS1 service the FCC # 1 tariff specifies that the interface meets the technical specifications detailed in Generic Requirements GR-342-CORE, Issue 1, December 1995.)
 4. The Parties provide their own equipment (CPE) to interface with the DS0, DS1, DS3, STS1 and/or OCn circuits on the customer premises.
- 1.5 **The Point of Interconnection** is the point at which the originating Party delivers its originated traffic to the terminating Party's first point of switching on the terminating Party's common (shared) network for call transport and termination. Points of Interconnection are available at either Access Tandems, Local Tandems, or End Offices as described in this Agreement. Actel's requested Point of Interconnection will also be used for the receipt and delivery of transit traffic at BellSouth Access and Local Tandems. Points of Interconnection established at the BellSouth Local Tandem apply only to Actel-originated local and local originating and terminating transit traffic.
- 1.6 Actel, at its option, shall establish Points of Presence and Points of Interface for the delivery of its originated local and intraLATA toll traffic to BellSouth. The Point of Interface may not necessarily be established at the Point of Interconnection.
- 1.7 BellSouth, at its option, shall designate the Points of Presence and Points of Interface for the delivery of its originated local and intraLATA toll traffic to Actel for call transport and termination by Actel. The Point of Interface may not necessarily be established at the Point of Interconnection.
- 1.8 Interconnection via Leased Dedicated Transport Facilities
- 1.8.1 The originating Party may purchase Local Channel facilities from the terminating Party from the originating Party's specified Point of Interface to its serving wire center. The Parties agree that charges for such Local Channel facilities are as set forth in Exhibit A to this Attachment. If a nonrecurring or recurring rate is not

identified in Exhibit A for a Local Channel, the rate shall be as set forth in the appropriate BellSouth intrastate or interstate tariff for switched access services.

- 1.8.2 Additionally, either Party may purchase Dedicated Interoffice Transport facilities from its designated serving wire center to the other Party's first point of switching. The Parties agree that charges for such Dedicated Transport facilities are as set forth in Exhibit A to this Attachment. If a nonrecurring or recurring rate is not identified in Exhibit A for Dedicated Transport, the rate shall be as set forth in the appropriate BellSouth intrastate or interstate tariff for switched access services.
- 1.8.3 For the purposes of this Attachment, **Local Channel** is defined as a switch transport facility between a Party's Point of Presence and its designated serving wire center.
- 1.8.4 For the purposes of this Attachment, **Serving Wire Center** is defined as the wire center owned by one Party from which the other Party would normally obtain dial tone for its Point of Presence.
- 1.8.5 For the purposes of this Attachment, **Dedicated Interoffice Transport** is defined as a switch transport facility between a Party's designated serving wire center and the first point of switching on the other Party's common (shared) network.
- 1.9 **Fiber Meet**
- 1.9.1 **Fiber Meet** is an interconnection arrangement whereby the Parties physically interconnect their networks via an optical fiber interface (as opposed to an electrical interface) at which one Party's facilities, provisioning, and maintenance responsibility begins and the other Party's responsibility ends (i.e. Point of Interface).
- 1.9.2 If Actel elects to interconnect with BellSouth pursuant to a Fiber Meet, Actel and BellSouth shall jointly engineer and operate a Synchronous Optical Network ("SONET") transmission system by which they shall interconnect their transmission and routing of local traffic via a Local Channel facility at either the DS0, DS1, or DS3 level. The Parties shall work jointly to determine the specific transmission system. However, Actel's SONET transmission must be compatible with BellSouth's equipment in the BellSouth Interconnection Wire Center. The same vendor's equipment and software version must be used, and the Data Communications Channel (DCC) must be turned off.
- 1.9.3 BellSouth shall, wholly at its own expense, procure, install and maintain the agreed upon SONET equipment in the BellSouth Interconnection Wire Center ("BIWC").

- 1.9.4 Actel shall, wholly at its own expense, procure, install and maintain the agreed upon SONET equipment in the Actel Interconnection Wire Center ("Actel Wire Center").
- 1.9.5 BellSouth shall designate a Point of Interface outside the BIWC as a Fiber Meet point, and shall make all necessary preparations to receive, and to allow and enable Actel to deliver, fiber optic facilities into the Point of Interface with sufficient spare length to reach the fusion splice point at the Point of Interface. BellSouth shall, wholly at its own expense, procure, install, and maintain the fusion splicing point in the Point of Interface. A Common Language Location Identification ("CLLI") code will be established for each Point of Interface. The code established must be a building type code. All orders shall originate from the Point of Interface (i.e., Point of Interface to Actel, Point of Interface to BellSouth).
- 1.9.6 Actel shall deliver and maintain such strands wholly at its own expense. Upon verbal request by Actel, BellSouth shall allow Actel access to the Fiber Meet entry point for maintenance purposes as promptly as possible.
- 1.9.7 The Parties shall jointly coordinate and undertake maintenance of the SONET transmission system. Each Party shall be responsible for maintaining the components of their own SONET transmission system.
- 1.9.8 Each Party will be responsible for (i) providing its own transport facilities to the Fiber Meet, and (ii) the cost to build-out its facilities to such Fiber Meet.
- 1.9.9 Neither Party shall charge the other for its portion of the Fiber Meet facility used exclusively for non-transit local traffic (i.e. the Local Channel). Charges incurred for other services including dedicated transport facilities to the Point of Interconnection if applicable will apply. Charges for Switched and Special Access Services shall be billed in accordance with the applicable Access Service tariff (i.e. the BellSouth Interstate or Intrastate Access Services Tariff).

2. Interconnection Trunking Architectures

- 2.1 BellSouth and Actel shall establish interconnecting trunk groups and trunking configurations between networks including the establishment of one-way or two-way trunks in accordance with the following provisions set forth in this Agreement.
- 2.2 Any Actel interconnection request that deviates from the standard trunking architectures as described in this Agreement that affects traffic delivered to Actel from a BellSouth switch that requires special BellSouth switch translations and other network modifications will require Actel to submit a Bona Fide Request/New Business Request via the Bona Fide Request/New Business Request Process set forth in General Terms and Conditions.
- 2.3 All terms and conditions, as well as charges, both non-recurring and recurring, associated with interconnecting trunk groups between BellSouth and Actel not addressed in Exhibit A shall be as set forth in the appropriate BellSouth intrastate or interstate tariff for switched access services. For two-way trunking that carries the Parties' local and intraLATA toll traffic only, excluding trunking that carries Transit Traffic, the Parties shall be compensated for the nonrecurring and recurring charges for trunks and DS1 facilities at 50% of the applicable contractual or tariff rates for the services provided by each Party. Actel shall be responsible for ordering and paying for any two-way trunks carrying transit traffic. Furthermore, Actel shall be responsible for the compensation for two-way trunking that it orders for its local and intraLATA toll but utilizes unidirectionally.
- 2.4 Switched Access traffic will be delivered to and by IXCs based on Actel's NXX Access Tandem homing arrangement as specified by Actel in the national Local Exchange Routing Guide (LERG).
- 2.5 All trunk groups will be provisioned as Signaling System 7 (SS7) capable where technically feasible. If SS7 is not technically feasible multi-frequency (MF) protocol signaling shall be used.
- 2.6 In cases where Actel is also an IXC, the IXC's Feature Group D (FG D) trunking must remain separate from the local interconnection trunking.
- 2.7 **Two-Way Trunking Requirements:**
- The following requirements apply to two-way trunking that carries the Parties local and intraLATA toll.
1. Actel will initiate two-way trunk request. The use of and quantity of two way trunking shall be mutually agreed upon and shall be jointly provisioned.

2. The Point of Interface will be located at a mutually agreed location or point designated by BellSouth. If an agreement cannot be reached on the location of the Point of Interface, each company will establish its own Point of Interface and order one-way trunks.
3. BellSouth and Actel will jointly review the trunk forecast, as needed, on a periodic basis, or at least every six (6) months.
4. Actel will order trunks using access service request (ASR) process in place for Local Interconnection after the joint planning meeting takes place between BellSouth and Actel.
5. BellSouth and Actel must agree on traffic engineering parameters that will be used in the engineering of the trunk groups.
6. BellSouth and Actel must agree to meet and resolve service-affecting situations in a timely manner. This contact will normally be made through the Account Team.
7. Establishing a two-way trunk group does not preclude BellSouth or Actel from adding one-way trunk groups within the same Local Calling Area.
8. For technical reasons, two-way trunk groups may not be ordered to a BellSouth DMS100 Local Tandem or DMS100 End Office.
9. BellSouth will be responsible for the installation and maintenance of its trunks and facilities to the mutually agreed Point of Interface, and Actel will be responsible for the installation and maintenance of its trunks and facilities to the mutually agreed to Point of Interface.

2.8 BellSouth Access Tandem Interconnection Architectures

2.8.1 BellSouth Access Tandem Interconnection provides intratandem access to subtending end offices. BellSouth Multiple Tandem Access (MTA), described later in this Agreement, may be ordered using any of the following access tandem architectures.

2.8.2 Basic Architecture

2.8.2.1 In this architecture, Actel's originating Local and IntraLATA Toll and originating and terminating Transit Traffic is transported on a single two-way trunk group between Actel and BellSouth access tandem(s) within a LATA. This group carries intratandem Transit Traffic between Actel and Independent Companies, Interexchange Carriers, other CLECs and other network providers with which Actel desires interconnection and has the proper contractual arrangements. This group also carries Actel originated intertandem traffic transiting a single

BellSouth access tandem destined to third party tandems such as an Independent Company tandem or other CLEC tandem. BellSouth originated Local and IntraLATA Toll traffic is transported on a single one-way trunk group terminating to Actel. The Two-way Trunking Requirements described in this Attachment do not apply to this architecture. Other trunk groups for operator services, directory assistance, emergency services and intercept may be established if required. The LERG should be referenced for current routing and tandem serving arrangements. The Basic Architecture is illustrated in Exhibit B.

2.8.3 One-Way Trunking Architecture

2.8.3.1 In this architecture, the Parties interconnect using two one-way trunk groups. One one-way trunk group carries Actel-originated local and intraLATA toll traffic destined for BellSouth end-users. The other one-way trunk group carries BellSouth-originated local and intraLATA toll traffic destined for Actel end-users. A third two-way trunk group is established for Actel's originating and terminating Transit Traffic. This group carries intratandem Transit Traffic between Actel and Independent Companies, Interexchange Carriers, other CLECs and other network providers with which Actel desires interconnection and has the proper contractual arrangements. This group also carries Actel originated intertandem traffic transiting a single BellSouth access tandem destined to third party tandems such as an Independent Company tandem or other CLEC tandem. Other trunk groups for operator services, directory assistance, emergency services and intercept may be established if required. The LERG should be referenced for current routing and tandem serving arrangements. The One-Way Trunking Architecture is illustrated in Exhibit C.

2.8.4 Two-Way Trunking Architecture

2.8.4.1 The Two-Way Trunking Architecture establishes one two-way trunk group to carry local and intraLATA toll traffic between Actel and BellSouth. To establish this architecture, Actel and BellSouth must meet the Two-way Trunking Requirements described in this Attachment. In addition, a two-way transit trunk group must be established for Actel's originating and terminating Transit Traffic. This group carries intratandem Transit Traffic between Actel and Independent Companies, Interexchange Carriers, other CLECs and other network providers with which Actel desires interconnection and has the proper contractual arrangements. This group also carries Actel originated intertandem traffic transiting a single BellSouth access tandem destined to third party tandems such as an Independent Company tandem or other CLEC tandem. Other trunk groups for operator services, directory assistance, emergency services and intercept may be established if required. The LERG should be referenced for current routing and tandem serving arrangements. The Two-Way Trunking Architecture is illustrated in Exhibit D.

2.8.5 Supergroup Architecture

- 2.8.5.1 In the Supergroup Architecture, the Parties Local and IntraLATA Toll and Actel's Transit Traffic is exchanged on a single two-way trunk group between Actel and BellSouth. To establish this architecture, Actel and BellSouth must meet the Two-way Trunking Requirements described in this Attachment. This group carries intratandem Transit Traffic between Actel and Independent Companies, Interexchange Carriers, other CLECs and other network providers with which Actel desires interconnection and has the proper contractual arrangements. This group also carries Actel originated intertandem traffic transiting a single BellSouth access tandem destined to third party tandems such as an Independent Company tandem or other CLEC tandem. Other trunk groups for operator services, directory assistance, emergency services and intercept may be established if required. The LERG should be referenced for current routing and tandem serving arrangements. The Supergroup Architecture is illustrated in Exhibit E.
- 2.9 **BellSouth Multiple Tandem Access (MTA)** provides for LATA wide BellSouth transport and termination of Actel-originated intraLATA toll and local traffic, that is transported by BellSouth, by establishing a Point of Interconnection at a BellSouth access tandem with routing through multiple BellSouth access tandems as required. However, Actel must still establish Points of Interconnection at all BellSouth access tandems where Actel NXXs are "homed". If Actel does not have NXXs homed at a BellSouth access tandem within a LATA and elects not to establish Points of Interconnection at such BellSouth access tandem, Actel can order MTA in each BellSouth access tandem within the LATA where it does have a Point of Interconnection and BellSouth will terminate traffic to end-users served through those BellSouth access tandems where Actel does not have a Point of Interconnection. MTA shall be provisioned in accordance with BellSouth's Ordering Guidelines.
- 2.10 MTA does not include switched access traffic that transits the BellSouth network to an Interexchange Carrier (IXC). Switched Access traffic will be delivered to and by IXCs based on Actel's NXX Access Tandem homing arrangement as specified by Actel in the national Local Exchange Routing Guide (LERG).
- 2.11 For Actel-originated local and intraLATA toll traffic that BellSouth transports but is destined for termination by a third Party network (transit traffic), BellSouth MTA is required if multiple BellSouth access tandems are necessary to deliver the call to the third Party network.
- 2.12 The Parties agree that compensation for the BellSouth transport and/or termination of Actel's local and intraLATA toll traffic will be billed on a statewide basis at the applicable rates specified in Exhibit A to this Attachment

for local traffic and at the BellSouth intrastate switched access tariff rates for intraLATA toll traffic.

- 2.13 To the extent Actel does not purchase MTA in a calling area that has multiple access tandems serving the calling area as defined by BellSouth, Actel must establish Points of Interconnection to every access tandem in the calling area in order to serve the entire calling area. To the extent Actel does not purchase MTA and provides intraLATA toll service to its customers, it may be necessary for it to establish a Point of Interconnection to additional BellSouth access tandems that serve end offices outside the local calling area. To the extent Actel routes its traffic in such a way that utilizes BellSouth's MTA service without properly ordering MTA service, Actel agrees to pay BellSouth the associated transport and termination charges.
- 2.14 BellSouth End Office Interconnection
- 2.14.1 Actel may establish interconnection at BellSouth end offices for the delivery of Actel originated local and intralata toll traffic destined for BellSouth end-users served by that end-office.
- 2.14.2 When end office trunking is ordered by BellSouth to deliver BellSouth originated traffic to Actel, BellSouth will provide overflow routing through BellSouth tandems consistent with how BellSouth overflows its traffic. The overflow will be based on the homing arrangements Actel displays in the LERG. Likewise, if Actel interconnects to a BellSouth end office for delivery of Actel originated traffic, Actel will overflow the traffic through the BellSouth tandems based on the BellSouth homing arrangements shown in the LERG.
- 2.14.3 The Parties shall utilize direct end office trunking under the following conditions:
- (1) Tandem Exhaust - If a tandem through which the Parties are interconnected is unable to, or is forecasted to be unable to support additional traffic loads for any period of time, the Parties will mutually agree on an end office trunking plan that will alleviate the tandem capacity shortage and ensure completion of traffic between Actel and BellSouth's subscribers.
 - (2) Traffic Volume - To the extent either Party has the capability to measure the amount of traffic between a Actel switching center and a BellSouth end office, either Party shall install and retain direct end office trunking sufficient to handle actual or reasonably forecasted traffic volumes, whichever is greater, between a Actel switching center and a BellSouth end office where the traffic exceeds or is forecasted to exceed a single DS1 of local traffic per month. Either Party will install additional capacity between such points when overflow traffic between Actel's switching center and BellSouth's end office exceeds or is forecasted to exceed a single DS1 of local traffic per month. In

the case of one way trunking, additional trunking shall only be required by the Party whose trunking has achieved the preceding usage threshold.

- (3) Mutual Agreement - The Parties may install direct end office trunking upon mutual agreement in the absence of conditions (1) or (2) above and agreement will not unreasonably be withheld.

2.15 **Local Tandem Interconnection.**

2.15.1 This interconnection arrangement allows Actel to establish a Point of Interconnection at BellSouth local tandems for: (1) the delivery of Actel-originated local traffic transported and terminated by BellSouth to BellSouth end offices within the local calling area as defined in BellSouth's General Subscriber Services Tariff (GSST), section A3 served by those BellSouth local tandems, and (2) for local transit traffic transported by BellSouth for third party network providers who have also established Points of Interconnection at those BellSouth local tandems.

2.15.2 When a specified local calling area is served by more than one BellSouth local tandem, Actel must designate a "home" local tandem for each of its assigned NPA/NXXs and establish trunk connections to such local tandems. Additionally, Actel may choose to establish a Point of Interconnection at the BellSouth local tandems where it has no codes homing but is not required to do so. Actel may deliver local traffic to a "home" BellSouth local tandem that is destined for other BellSouth or third party network provider end offices subtending other BellSouth local tandems in the same local calling area where Actel does not choose to establish a Point of Interconnection. It is Actel's responsibility to enter its own NPA/NXX local tandem homing arrangements into the Local Exchange Routing Guide (LERG) either directly or via a vendor in order for other third party network providers to determine appropriate traffic routing to Actel's codes. Likewise, Actel shall obtain its routing information from the LERG.

2.15.3 Notwithstanding establishing Points of Interconnection to BellSouth's local tandems, Actel must also establish Points of Interconnection to BellSouth access tandems within the LATA on which Actel has NPA/NXXs homed for the delivery of Interexchange Carrier Switched Access (SWA) and toll traffic, and traffic to Type 2A CMRS connections located at the access tandems. BellSouth shall not switch SWA traffic through more than one BellSouth access tandem. SWA, Type 2A CMRS or toll traffic routed to the local tandem in error will not be backhauled to the BellSouth access tandem for completion. (Type 2A CMRS interconnection is defined in BellSouth's A35 General Subscriber Services Tariff.)

2.15.4 BellSouth's provisioning of local tandem interconnection assumes that Actel has executed the necessary local interconnection agreements with the other third party network providers subtending those local tandems as required by the Act.

3. Network Design And Management For Interconnection

- 3.1 **Network Management and Changes.** Both Parties will work cooperatively with each other to install and maintain the most effective and reliable interconnected telecommunications networks, including but not limited to, the exchange of toll-free maintenance contact numbers and escalation procedures. Both Parties agree to provide public notice of changes in the information necessary for the transmission and routing of services using its local exchange facilities or networks, as well as of any other changes that would affect the interoperability of those facilities and networks.
- 3.2 **Interconnection Technical Standards.** The interconnection of all networks will be based upon accepted industry/national guidelines for transmission standards and traffic blocking criteria. Interconnecting facilities shall conform, at a minimum, to the telecommunications industry standard of DS-1 pursuant to Bellcore Standard No. TR-NWT-00499. Signal transfer point, Signaling System 7 ("SS7") connectivity is required at each interconnection point. BellSouth will provide out-of-band signaling using Common Channel Signaling Access Capability where technically and economically feasible, in accordance with the technical specifications set forth in the BellSouth Guidelines to Technical Publication, TR-TSV-000905. Facilities of each Party shall provide the necessary on-hook, off-hook answer and disconnect supervision and shall hand off calling number ID (Calling Party Number) when technically feasible.
- 3.3 **Quality of Interconnection.** The local interconnection for the transmission and routing of telephone exchange service and exchange access that each Party provides to each other will be at least equal in quality to what it provides to itself and any subsidiary or affiliate, where technically feasible, or to any other Party to which each Party provides local interconnection.
- 3.4 **Network Management Controls.** Both Parties will work cooperatively with each other to apply sound network management principles by invoking appropriate network management controls (e.g., call gapping) to alleviate or prevent network congestion.
- 3.5 **Common Channel Signaling.** Both Parties will provide LEC-to-LEC Common Channel Signaling ("CCS") to each other, where available, in conjunction with all traffic in order to enable full interoperability of CLASS features and functions except for call return. All CCS signaling parameters will be provided, including automatic number identification ("ANI"), originating line information ("OLI") calling company category, charge number, etc. All privacy indicators will be honored, and each Party will cooperate with each other on the exchange of Transactional Capabilities Application Part ("TCAP") messages to facilitate full

interoperability of CCS-based features between the respective networks. Neither Party shall alter the CCS parameters, or be a party to altering such parameters, or knowingly pass CCS parameters that have been altered in order to circumvent appropriate interconnection charges.

- 3.6 **Signaling Call Information.** BellSouth and Actel will send and receive 10 digits for local traffic. Additionally, BellSouth and Actel will exchange the proper call information, i.e. originated call company number and destination call company number, CIC, and OZZ, including all proper translations for routing between networks and any information necessary for billing.
- 3.7 **Forecasting Requirements.** The Parties shall exchange technical descriptions and forecasts of their interconnection and traffic requirements in sufficient detail necessary to establish the interconnections required to assure traffic completion to and from all customers in their respective designated service areas. In order for the Parties to provide as accurate reciprocal trunking forecasts as possible to each other, each Party must timely inform the other Party of any known or anticipated events that may affect reciprocal trunking requirements. If either Party is unable to provide such information, The Parties shall provide reciprocal trunking forecasts based only on existing trunk group growth and annual estimated percentage of subscriber line growth.
- 3.7.1 Both Parties shall meet every six months or at otherwise mutually agreeable intervals for the purpose of exchanging non-binding forecasts of its traffic and volume requirements for the interconnection and network elements provided under this Agreement, in the form and in such detail as agreed by the Parties. The Parties agree that each forecast provided under this Section shall be deemed "Confidential Information" in the General Terms and Conditions – Part A of this Agreement.
- 3.7.2 The trunk forecast should include trunk requirements for all of the interconnecting trunk groups for the current year plus the next two future years. The forecast meeting between the two companies may be a face-to-face meeting, video conference or audio conference. It may be held regionally or geographically. Ideally, these forecast meetings should be held at least semi-annually, or more often if the forecast is no longer usable. Updates to a forecast or portions thereof should be made whenever the Party providing the forecast deems that the latest trunk requirements exceed the original quantities by 24 trunks or 10%, whichever is greater. Either Party should notify the other Party if they have measurements indicating that a trunk group is exceeding its designed call carrying capacity and is impacting other trunk groups in the network. Also, either Party should notify the other Party if they know of situations in which the traffic load is expected to increase significantly and thus affect the interconnecting trunk requirements as

well as the trunk requirements within the other Party's network. The Parties agree that the forecast information provided under this Section shall be deemed "Confidential Information" as set forth in the General Terms and Conditions of this Agreement.

- 3.7.3 For a non-binding trunk forecast, agreement between the two Parties on the trunk quantities and the timeframe of those trunks does not imply any liability for failure to perform if the trunks are not available for use at the required time.

4. Local Dialing Parity

- 4.1 BellSouth and Actel shall provide local and toll dialing parity to each other with no unreasonable dialing delays. Dialing parity shall be provided for all originating telecommunications services that require dialing to route a call. BellSouth and Actel shall permit similarly situated telephone exchange service end users to dial the same number of digits to make a local telephone call notwithstanding the identity of the end user's or the called party's telecommunications service provider.

5. Interconnection Compensation

5.1 Compensation for Call Transportation and Termination for Local Traffic

- 5.1.1 For purposes of this agreement, Local Traffic is defined as any telephone call that originates in one exchange and terminates in either the same exchange, or other local calling area associated with the originating exchange as defined and specified in Section A3 of BellSouth's General Subscriber Service Tariff. As clarification of this definition and for reciprocal transport and termination compensation, Local Traffic does not include traffic that originates from or is directed to or through an enhanced service provider or information service provider. Notwithstanding the foregoing, Enhanced Service Provider ("ESP") or Information Service Provider ("ISP") traffic shall be handled in accordance with Section 5.10 of this Attachment. As further clarification, Local Traffic does not include calls that do not transmit information of the user's choosing. In any event, neither Party will pay reciprocal compensation to the other if the "traffic" to which such reciprocal compensation would otherwise apply was generated, in whole or in part, for the purpose of creating an obligation on the part of the originating carrier to pay reciprocal compensation for such traffic.

- 5.1.2 The Parties shall provide for the mutual and reciprocal recovery of the costs for the elemental functions performed in transporting and terminating local traffic on each other's network. The Parties agree that charges for transport and termination of calls on its respective networks are as set forth in Exhibit A to this Attachment.

- 5.1.3 For the purposes of this Attachment, **Common (Shared) Transport** is defined as the transport of the originating Party's traffic by the terminating Party over the terminating Party's common (shared) facilities between the terminating Party's tandem switch and end office switch and/or between the terminating Party's tandem switches.
- 5.1.4 For the purposes of this Attachment, **Tandem Switching** is defined as the function that establishes a communications path between two switching offices through a third switching office (the Tandem switch).
- 5.1.5 For the purposes of this Attachment, **End Office Switching** is defined as the function that establishes a communications path between the trunk side and line side of the End Office switch.
- 5.1.6 If Actel utilizes a switch outside the LATA and BellSouth chooses to purchase dedicated or common (shared) transport from Actel for transport and termination of BellSouth originated traffic, BellSouth will pay Actel no more than the airline miles between the V & H coordinates of the Point of Interface within the LATA where Actel receives the BellSouth-originated traffic and the V & H coordinates of the BellSouth Exchange Rate Center Area that the Actel terminating NPA/NXX is associated in the same LATA. For these situations, BellSouth will compensate Actel at either dedicated or common (shared) transport rates specified in Exhibit A and based upon the functions provided by Actel as defined in this Attachment.
- 5.1.7 Neither Party shall represent access services traffic (e.g. Internet Protocol (IP) Telephony, FGA, FGB, etc.) as Local Traffic for purposes of payment of reciprocal compensation.
- 5.1.8 The Parties agree that the jurisdiction of a call is determined by its originating and terminating (end-to-end) points. For the purpose of delivery of BellSouth originating traffic to Actel, BellSouth will pay to Actel reciprocal compensation for Local Traffic terminating to Actel end users physically located in the BellSouth rate center to which the Actel end user's NPA/NXX is assigned. If Actel assigns NPA/NXXs to specific BellSouth rate centers and assigns numbers from those NPA/NXXs to Actel end users physically located outside of the rate center to which the NPA/NXX is assigned, BellSouth traffic originating from within the BellSouth rate center where the NPA/NXX is assigned and terminating to a Actel customer physically located outside of such rate center, and at a location toll to the BellSouth originating rate center, shall not be deemed Local Traffic, and no compensation from BellSouth to Actel shall be due therefor. Further, Actel agrees to identify such traffic to BellSouth and to compensate BellSouth for originating and transporting such traffic to Actel at BellSouth's tariffed intrastate switched access rates. In addition, Actel should not use NPA/NXXs to collect BellSouth originated local or intraLATA toll traffic and for

delivery to a point outside the LATA from where the originating NPA/NXX rate center resides.

- 5.1.9 If Actel does not identify such traffic to BellSouth, to the best of BellSouth's ability BellSouth will determine which whole Actel NPA/NXXs on which to charge the applicable rates for originating intrastate network access service as reflected in BellSouth's Intrastate Access Service Tariff. BellSouth shall make appropriate billing adjustments if Actel can provide sufficient information for BellSouth to determine whether said traffic is local or toll.
- 5.2 Percent Local Use. Each Party will report to the other a Percentage Local Usage ("PLU"). The application of the PLU will determine the amount of local minutes to be billed to the other Party. For purposes of developing the PLU, each Party shall consider every local call and every long distance call, excluding intermediary traffic. By the first of January, April, July and October of each year, each Party shall provide a positive report updating the PLU. Requirements associated with PLU calculation and reporting shall be as set forth in BellSouth's Percent Local Use Reporting Guidebook, as it is amended from time to time. Notwithstanding the foregoing, where the terminating Party has message recording technology that identifies the jurisdiction of traffic terminated as defined in this Agreement, such information, in lieu of the PLU factor, shall at the terminating Party's option be utilized to determine the appropriate local usage compensation to be paid.
- 5.3 Percentage Interstate Usage. In the case where Actel desires to terminate its local traffic over or co-mingled on its switched access Feature Group D trunks, Actel will be required to provide a projected Percentage Interstate Usage ("PIU") to BellSouth. All jurisdictional report requirements, rules and regulations for Interexchange Carriers specified in BellSouth's Intrastate Access Services Tariff will apply to Actel. After interstate and intrastate traffic percentages have been determined by use of PIU procedures, the PLU factor will be used for application and billing of local interconnection. Notwithstanding the foregoing, where the terminating Party has message recording technology that identifies the jurisdiction of traffic terminated as defined in this Agreement, such information, in lieu of the PIU and PLU factor, shall at the terminating Party's option be utilized to determine the appropriate local usage compensation to be paid.
- 5.4 Audits. On thirty (30) days written notice, each Party must provide the other the ability and opportunity to conduct an annual audit to ensure the proper billing of traffic. BellSouth and Actel shall retain records of call detail for a minimum of nine months from which a PLU and/or PIU can be ascertained. The audit shall be accomplished during normal business hours at an office designated by the Party being audited. Audit requests shall not be submitted more frequently than one (1) time per calendar year. Audits shall be performed by a mutually acceptable independent auditory paid for by the Party requesting the audit. The PLU and/or PIU shall be adjusted based upon the audit results and shall apply to the usage for

the quarter the audit was completed, to the usage for the quarter prior to the completion of the audit, and to the usage for the two quarters following the completion of the audit. If, as a result of an audit, either Party is found to have overstated the PLU and/or PIU by twenty percentage points (20%) or more, that Party shall reimburse the auditing Party for the cost of the audit.

5.5 Rate True-up

This section applies only to North Carolina and Tennessee and other rates that are interim or expressly subject to true-up under this attachment.

- 5.5.1 The interim prices for Unbundled Network Elements and Other Services and Local Interconnection shall be subject to true-up according to the following procedures:
- 5.5.2 The interim prices shall be true-up, either up or down, based on final prices determined either by further agreement between the Parties, or by a final order (including any appeals) of the Commission which final order meets the criteria of (3) below. The Parties shall implement the true-up by comparing the actual volumes and demand for each item, together with interim prices for each item, with the final prices determined for each item. Each Party shall keep its own records upon which the true-up can be based, and any final payment from one Party to the other shall be in an amount agreed upon by the Parties based on such records. In the event of any disagreement as between the records or the Parties regarding the amount of such true-up, the Parties agree that the body having jurisdiction over the matter shall be called upon to resolve such differences, or the Parties may mutually agree to submit the matter to the Dispute Resolution process in accordance with the provisions of Section 12 of the General Terms and Conditions and Attachment 1 of the Agreement.
- 5.5.3 The Parties may continue to negotiate toward final prices, but in the event that no such agreement is reached within nine (9) months, either Party may petition the Commission to resolve such disputes and to determine final prices for each item. Alternatively, upon mutual agreement, the Parties may submit the matter to the Dispute Resolution Process set forth in the General Terms and Conditions of the Agreement, so long as they file the resulting Agreement with the Commission as a "negotiated agreement" under Section 252(e) of the Act.
- 5.5.4 A final order of this Commission that forms the basis of a true-up shall be the final order as to prices based on appropriate cost studies, or potentially may be a final order in any other Commission proceeding which meets the following criteria:
- (a) BellSouth and CLEC is entitled to be a full Party to the proceeding;

- (b) It shall apply the provisions of the federal Telecommunications Act of 1996, including but not limited to Section 252(d)(1) (which contains pricing standards) and all then-effective implementing rules and regulations; and,
- (c) It shall include as an issue the geographic deaveraging of unbundled element prices, which deaveraged prices, if any are required by said final order, shall form the basis of any true-up.

5.6 Compensation for IntraLATA Toll Traffic

5.6.1 IntraLATA Toll Traffic. IntraLATA Toll Traffic is defined as any telephone call that is not local or switched access per this Agreement.

5.6.2 Compensation for intraLATA toll traffic. For terminating its intraLATA toll traffic on the other company's network, the originating Party will pay the terminating Party BellSouth's current intrastate or interstate, whichever is appropriate, terminating switched access tariff rates as set forth in BellSouth's Intrastate or Interstate Access Services Tariff. The appropriate charges will be determined by the routing of the call. If Actel is the BellSouth end user's presubscribed interexchange carrier or if the BellSouth end user uses Actel as an interexchange carrier on a 101XXXX basis, BellSouth will charge Actel the appropriate BellSouth tariff charges for originating switched access services.

5.6.3 Compensation for 8XX Traffic. Each Party shall compensate the other pursuant to the appropriate switched access charges, including the database query charge as set forth in the BellSouth intrastate or interstate switched access tariffs.

5.6.4 Records for 8XX Billing. Each Party will provide to the other the appropriate records necessary for billing intraLATA 8XX customers. The records provided will be in a standard EMI format for a fee of \$0.013 per record.

5.6.5 8XX Access Screening. BellSouth's provision of 8XX TFD to Actel requires interconnection from Actel to BellSouth 8XX SCP. Such interconnections shall be established pursuant to BellSouth's Common Channel Signaling Interconnection Guidelines and Bellcore's CCS Network Interface Specification document, TR-TSV-000905. Actel shall establish CCS7 interconnection at the BellSouth Local Signal Transfer Points serving the BellSouth 8XX SCPs that Actel desires to query. The terms and conditions for 8XX TFD are set out in BellSouth's Intrastate Access Services Tariff as amended.

5.7 Mutual Provision of Switched Access Service

5.7.1 Switched Access Traffic. Switched Access Traffic is as defined in the BellSouth Access Tariff.

- 5.7.1.1 The Parties have been unable to agree as to whether Voice-Over-Internet Protocol transmissions (“VOIP”) which cross LATA boundaries constitute Switched Access traffic. Notwithstanding the foregoing, and without prejudice to or waiving any right with respect to either Party’s position as to the jurisdictional nature of VOIP, the Parties agree to abide by any effective and applicable FCC Rules and Orders regarding the nature of such traffic and the compensation payable by the Parties for such traffic, if any. Until such time as there is an effective and applicable FCC Rule or Order, such traffic will be considered switched access traffic.
- 5.7.2 When Actel’s end office switch, subtending the BellSouth Access Tandem switch for receipt or delivery of switched access traffic, provides an access service connection to or from an interexchange carrier (“IXC”) by either a direct trunk group to the IXC utilizing BellSouth facilities, or via BellSouth’s tandem switch, each Party will provide its own access services to the IXC on a multi-bill, multi-tariff meet-point basis. Each Party will bill its own access services rates to the IXC with the exception of the interconnection charge. The interconnection charge will be billed by the Party providing the end office function. Each party will use the Multiple Exchange Carrier Access Billing (MECAB) system to establish meet point billing for all applicable traffic. Thirty (30)-day billing periods will be employed for these arrangements. The recording Party agrees to provide to the initial billing Party, at no charge, the switched access detailed usage data within no more than sixty (60) days after the recording date. The initial billing Party will provide the switched access summary usage data to all subsequent billing Parties within 10 days of rendering the initial bill to the IXC. Each Party will notify the other when it is not feasible to meet these requirements so that the customers may be notified for any necessary revenue accrual associated with the significantly delayed recording or billing. As business requirements change data reporting requirements may be modified as necessary.
- 5.7.3 Where either Party has been notified that the other Party has a Billing Guarantee Practice, each Party so notified (the Initial Billing Party or the recording Party) will be held liable for any access revenues which it has caused to be determined unbillable under the guidelines of such Billing Guarantee Practice of the other Party. Each Party will provide complete documentation to the other to substantiate any claim of unbillable access revenues. A negotiated settlement will be agreed upon between the Parties.
- 5.7.4 Each Party will retain for a minimum period of sixty (60) days, access message detail sufficient to recreate any data which is lost or damaged by their company or any third party involved in processing or transporting data.
- 5.7.5 Each Party agrees to recreate the lost or damaged data within forty-eight (48) hours of notification by the other or by an authorized third party handling the data.

- 5.7.6 Each Party also agrees to process the recreated data within forty-eight (48) hours of receipt at its data processing center.
- 5.7.7 All claims should be filed with the other Party within 120 days of the receipt of the date of the unbillable usage.
- 5.7.8 The Initial Billing Party shall keep records of its billing activities relating to jointly-provided Intrastate and Interstate access services in sufficient detail to permit the Subsequent Billing Party to, by formal or informal review or audit, to verify the accuracy and reasonableness of the jointly-provided access billing data provided by the Initial billing Party. Each Party agrees to cooperate in such formal or informal reviews or audits and further agrees to jointly review the findings of such reviews or audits in order to resolve any differences concerning the findings thereof.
- 5.7.9 Actel agrees not to deliver switched access traffic to BellSouth for termination except over Actel ordered switched access trunks and facilities.
- 5.8 Transit Traffic Service. BellSouth shall provide tandem switching and transport services for Actel's transit traffic. Transit traffic is traffic originating on Actel's network that is switched and/or transported by BellSouth and delivered to a third party's network, or traffic originating on a third Party's network that is switched and/or transported by BellSouth and delivered to Actel's network. Rates for local transit traffic shall be the applicable call transport and termination charges as set forth in Exhibit A to this Attachment. Rates for intraLATA toll and Switched Access transit traffic shall be the applicable call transport and termination charges as set forth in BellSouth Interstate or Intrastate Switched Access tariffs. Switched Access transit traffic presumes that Actel's end office is subtending the BellSouth Access Tandem for switched access traffic to and from Actel's end users utilizing BellSouth facilities, either by direct trunks with the IXC, or via the BellSouth Access Tandem. Billing associated with all transit traffic shall be pursuant to Multiple Exchange Carrier Access Billing (MECAB) procedures. Wireless Type 1 traffic shall not be treated as transit traffic from a routing or billing perspective. Wireless Type 2A traffic shall not be treated as transit traffic from a routing or billing perspective until BellSouth and the Wireless carrier have the capability to properly meet-point-bill in accordance with MECAB guidelines.
- 5.8.1 The delivery of traffic which transits the BellSouth network and is transported to another carrier's network is excluded from any BellSouth billing guarantees and will be delivered at the rates stipulated in this Agreement to a terminating carrier. BellSouth agrees to deliver this traffic to the terminating carrier; provided, however, that Actel is solely responsible for negotiating and executing any appropriate contractual agreements with the terminating carrier for the receipt of this traffic through the BellSouth network. BellSouth will not be liable for any compensation to the terminating carrier or to Actel. Actel agrees to compensate

BellSouth for any charges or costs for the delivery of transit traffic to a connecting carrier on behalf of Actel. Additionally, the Parties agree that any billing to a third party or other telecommunications carrier under this section shall be pursuant to MECAB procedures.

- 5.9 Interconnection with Enhanced Service Providers (ESPs)/Information Service Providers (ISPs). ESP/ISP traffic shall not be included in the interconnection compensation arrangements of this Agreement, except as set forth in Section 5.10 below.
- 5.10 **ESP/ISP Traffic.** The Parties have been unable to agree upon whether or, if so, how the Parties should compensate each other under this Agreement for traffic directed to ESPs and ISPs, and they have been unable to agree upon which governmental body or tribunal ultimately has jurisdiction to decide that issue. Therefore, the Parties have agreed to defer resolution of such issues in accordance with this Section 5.10. Only for purposes of this Agreement and for traffic between the Parties originating from and directed to the exchanges subject to this Agreement, and without prejudice to either Party's position regarding compensation for ESP and ISP traffic or regarding the jurisdictional authority of any Commission over such issue, the Parties agree as follows:
- 5.10.1 The Parties agree to act in accordance with Section 5.10.2 if either of the following occurs: (i) the FCC's issuance of an order subsequent to its Notice of Proposed Rulemaking in CC Docket 96-98 adopted February 25, 1999, governing compensation for traffic directed to an ESP or ISP on a prospective basis ("Order"), or (ii) a state Commission's issuance of a ruling ("State Order") in a generic proceeding governing compensation for ISP and ESP traffic unrelated to any specific contract(s) or contractual interpretation and made applicable to all carriers or to the Parties specifically, including any ruling based upon the FCC's issuance of rules establishing a process for negotiation and arbitration of issues related to compensation for traffic directed to ESPs and ISPs. [The Declaratory Ruling has been vacated.]
- 5.10.2 If either of the events described in 5.10.1 occurs, then upon such FCC Order or State Order becoming effective, the Parties will pay such ordered compensation, if any, retroactively from the effective date of this Agreement to the date of expiration of this Agreement, regardless of the length of any appeals thereof, and regardless of whether this Agreement has expired as of the time that the Order or State Order is issued or becomes effective. The Parties acknowledge that the terms of any State Order shall apply solely to the state for which the same is issued unless the Parties expressly agree otherwise in writing.
- 5.10.3 The Parties shall use best efforts to segregate for billing purposes ESP and ISP traffic from Local Traffic as otherwise defined herein. Throughout the term of this Agreement, the Parties will maintain billing records identifying all ESP and

ISP traffic as stated in the General Terms and Conditions of this Agreement, and will act in good faith, utilizing their best efforts to track ISP or ESP traffic accurately. Any information exchanged by the Parties will be treated by the Parties as proprietary and confidential pursuant to Section 9 of the General Terms and Conditions of this Agreement.

6. Frame Relay Service

- 6.1 In addition to the Local Interconnection services set forth above, BellSouth will offer a network to network Interconnection arrangement between BellSouth's and Actel's frame relay switches as set forth below. The following provisions will apply only to Frame Relay Service and Exchange Access Frame Relay Service in those states in which Actel is certified and providing Frame Relay Service as a Local Exchange Carrier and where traffic is being exchanged between Actel and BellSouth Frame Relay Switches in the same LATA.
- 6.2 The Parties agree to establish two-way Frame Relay facilities between their respective Frame Relay Switches to the mutually agreed upon Frame Relay Service point(s) of interconnection ("POI(s)") within the LATA. All POIs shall be within the same Frame Relay Network Serving Areas as defined in Section A40 of BellSouth's General Subscriber Service Tariff except as set forth in this Attachment.
- 6.3 Upon the request of either Party, such interconnection will be established where BellSouth and Actel have Frame Relay Switches in the same LATA. Where there are multiple Frame Relay switches in one central office, an interconnection with any one of the switches will be considered an interconnection with all of the switches at that central office for purposes of routing packet traffic.
- 6.4 The Parties agree to provision local and IntraLATA Frame Relay Service and Exchange Access Frame Relay Service (both intrastate and interstate) over Frame Relay interconnection facilities between the respective Frame Relay switches and the POIs.
- 6.5 The Parties agree to assess each other reciprocal charges for the facilities that each provides to the other according to the Percent Local Circuit Use Factor (PLCU), determined as follows:
- 6.5.1 If the data packets originate and terminate in locations in the same LATA, and consistent with the local definitions of the Agreement, the traffic is considered local. Frame Relay framed packet data is transported within Virtual Circuits (VC). For the purposes of this Agreement, if all the data packets transported within a VC remain within the LATA, then consistent with the local definitions in this Agreement, the traffic on that VC is local ("Local VC").

- 6.5.2 If the originating and terminating locations of the two way packet data traffic are not in the same LATA, the traffic on that VC is interLATA ("InterLATA VC").
- 6.5.3 The PLCU is determined by dividing the total number of Local VCs, by the total number of VCs on each Frame Relay facility. To facilitate implementation, Actel may determine its PLCU in aggregate, by dividing the total number of Local VCs in a given LATA by the total number VCs in that LATA. The Parties agree to renegotiate the method for determining PLCU, at BellSouth's request, and within 90 days, if BellSouth notifies Actel that it has found that this method does not adequately represent the PLCU.
- 6.5.4 If there are no VCs on a facility when it is billed, the PLCU will be zero.
- 6.5.5 BellSouth will provide the circuit between the Parties' respective Frame Relay Switches. The Parties will be compensated as follows: BellSouth will invoice, and Actel will pay, the total non-recurring and recurring charges for the circuit based upon the rates set forth in BellSouth's Interstate Access Tariff, FCC No. 1. Actel will then invoice, and BellSouth will pay, an amount calculated by multiplying the BellSouth billed charges for the circuit by one-half of Actel's PLCU.
- 6.6 The Parties agree to compensate each other for Frame Relay network-to-network interface (NNI) ports based upon the NNI rates set forth in BellSouth's Interstate Access Tariff, FCC No. 1. Compensation for each pair of NNI ports will be calculated as follows: BellSouth will invoice, and Actel will pay, the total non-recurring and recurring charges for the NNI port. Actel will then invoice, and BellSouth will pay, an amount calculated by multiplying the BellSouth billed non-recurring and recurring charges for the NNI port by Actel's PLCU.
- 6.7 Each Party agrees that there will be no charges to the other Party for its own subscriber's Permanent Virtual Circuit (PVC) rate elements for the local PVC segment from its Frame Relay switch to its own subscriber's premises. PVC rate elements include the Data Link Connection Identifier (DLCI) and Committed Information Rate (CIR).
- 6.8 For the PVC segment between the Actel and BellSouth Frame Relay switches, compensation for the PVC charges is based upon the rates in BellSouth's Interstate Access Tariff, FCC No. 1.
- 6.9 Compensation for PVC rate elements will be calculated as follows:
- 6.9.1 If Actel orders a VC connection between a BellSouth subscriber's PVC segment and a PVC segment from the BellSouth Frame Relay switch to the Actel Frame Relay switch, BellSouth will invoice, and Actel will pay, the total non-recurring

and recurring PVC charges for the PVC segment between the BellSouth and Actel Frame Relay switches. If the VC is a Local VC, Actel will then invoice and BellSouth will pay, the total nonrecurring and recurring PVC charges billed for that segment. If the VC is not local, no compensation will be paid to Actel for the PVC segment.

- 6.9.2 If BellSouth orders a Local VC connection between a Actel subscriber's PVC segment and a PVC segment from the Actel Frame Relay switch to the BellSouth Frame Relay switch, BellSouth will invoice, and Actel will pay, the total non-recurring and recurring PVC and CIR charges for the PVC segment between the BellSouth and Actel Frame Relay switches. If the VC is a Local VC, Actel will then invoice and BellSouth will pay the total non-recurring and recurring PVC and CIR charges billed for that segment. If the VC is not local, no compensation will be paid to Actel for the PVC segment.
- 6.9.3 The Parties agree to compensate each other for requests to change a PVC segment or PVC service order record, according to the Feature Change charge as set forth in the BellSouth access tariff BellSouth Tariff FCC No, 1.
- 6.9.4 If Actel requests a change, BellSouth will invoice and Actel will pay a Feature Change charge for each affected PVC segment.
- 6.9.4.1 If BellSouth requests a change to a Local VC, Actel will invoice and BellSouth will pay a Feature Change charge for each affected PVC segment.
- 6.9.5 The Parties agree to limit the sum of the CIR for the VCs on a DS1 NNI port to not more than three times the port speed, or not more than six times the port speed on a DS3 NNI port.
- 6.9.6 Except as expressly provided herein, this Agreement does not address or alter in any way either Party's provision of Exchange Access Frame Relay Service or interLATA Frame Relay Service. All charges by each Party to the other for carriage of Exchange Access Frame Relay Service or interLATA Frame Relay Service are included in the BellSouth access tariff BellSouth Tariff FCC No, 1.
- 6.10 Actel will identify and report quarterly to BellSouth the PLCU of the Frame Relay facilities it uses, per section 8.5.3 above.
- 6.11 Either Party may request a review or audit of the various service components, consistent with the provisions of section E2 of the BellSouth State Access Services tariffs or Section 2 of the BellSouth FCC No.1 Tariff.
- 6.12 If during the term of this Agreement, BellSouth obtains authority to provide interLATA Frame Relay in any State, the Parties agree to renegotiate this arrangement for the exchange of Frame Relay Service Traffic within one hundred

eighty (180) days of the date BellSouth receives interLATA authority. In the event the Parties fail to renegotiate this Section 8 within the one hundred eighty day period, they will submit this matter to the appropriate State commission(s) for resolution.

7. Parity in Ordering and Provisioning

Each Party shall provide interconnection ordering and provisioning services to the other Party that are Equal in Quality to the ordering and provisioning services the Parties provide themselves. "Equal in Quality" shall have the meaning accorded in Section 51.305(a)(3) of the FCC's Rules, 47 C.F.R. § 51.305(a)(3). Reasonable and nondiscriminatory procedures for ordering and provisioning BellSouth interconnection services are set forth in the *BellSouth Call Transport & Termination Service For Facility Based CLECs section of the Facility Based CLEC Activation Requirements Customer Guide*.

8. Operational Support Systems (OSS) Rates

8.1 BellSouth has developed and made available the following mechanized systems by which Actel may submit LSRs electronically.

LENS Local Exchange Navigation System
EDI Electronic Data Interface
TAG Telecommunications Access Gateway

8.2 LSRs submitted by means of one of these interactive interfaces will incur an OSS electronic ordering charge as specified in the table below. An individual LSR will be identified for billing purposes by its Purchase Order Number (PON). LSRs submitted by means other than one of these interactive interfaces (mail, fax, courier, etc.) will incur a manual order charge as specified in the table below:

| OPERATIONAL SUPPORT SYSTEMS | AL, GA, LA, MS, SC | FL, KY, NC, TN |
|--|------------------------------------|-----------------------|
| OSS LSR charge, per LSR received from the CLEC by one of the OSS interactive interfaces | \$3.50 | \$3.50 |
| | SOMECH | SOMECH |
| Incremental charge per LSR received from the CLEC by means other than one of the OSS interactive interfaces | See applicable rate element | \$19.99 |
| | | SOMAN |

Note: In addition to the OSS charges, applicable discounted service order and related discounted charges apply per the tariff.

8.3 Denial/Restoral OSS Charge

In the event Actel provides a list of customers to be denied and restored, rather than an LSR, each location on the list will require a separate PON and, therefore will be billed as one LSR per location.

8.4 Cancellation OSS Charge

Actel will incur an OSS charge for an accepted LSR that is later canceled by Actel.

Note: Supplements or clarifications to a previously billed LSR will not incur another OSS charge.

8.5 Network Elements and Other Services Manual Additive

The Commissions in Alabama, Georgia, Louisiana, Mississippi and South Carolina have ordered incremental manual non-recurring charges (NRC) for Network Elements and Other Services ordered by means other than one of the interactive interfaces. These ordered Network Elements and Other Services manual additive NRCs will apply in these states, rather than the charge per LSR.

8.6 Threshold Billing Plan

8.6.1 The Parties agree that Actel will incur the mechanized rate for all LSRs, both mechanized and manual, if the percentage of mechanized LSRs to total LSRs meets or exceeds the threshold percentages shown below:

| Year | Ratio: Mechanized/Total LSRs |
|------|------------------------------|
| 2000 | 80% |
| 2001 | 90% |

The threshold plan will be discontinued in 2002.

8.6.2 BellSouth will track the total LSR volume for each CLEC for each quarter. At the end of that time period, a Percent Electronic LSR calculation will be made for that quarter based on the LSR data tracked in the LCSC. If this percentage exceeds the threshold volume, all of that CLECs' future manual LSRs will be billed at the mechanized LSR rate. To allow time for obtaining and analyzing the data and updating the billing system, this billing change will take place on the first day of the second month following the end of the quarter (e.g. May 1 for 1Q, Aug 1 for 2Q, etc.). There will be no adjustments to the amount billed for previously billed LSRs.

Basic Architecture

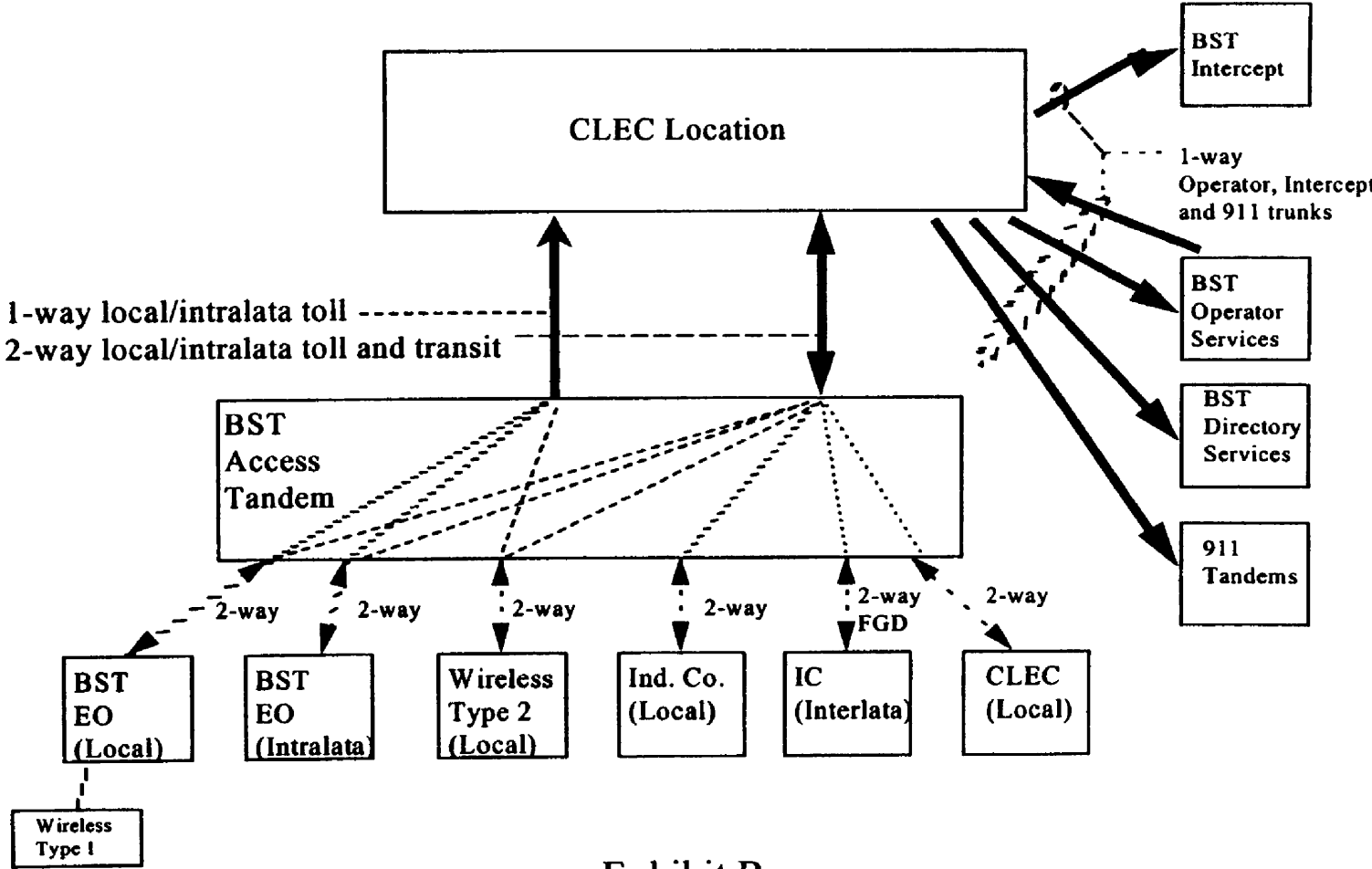


Exhibit B

One-Way Trunking Architecture

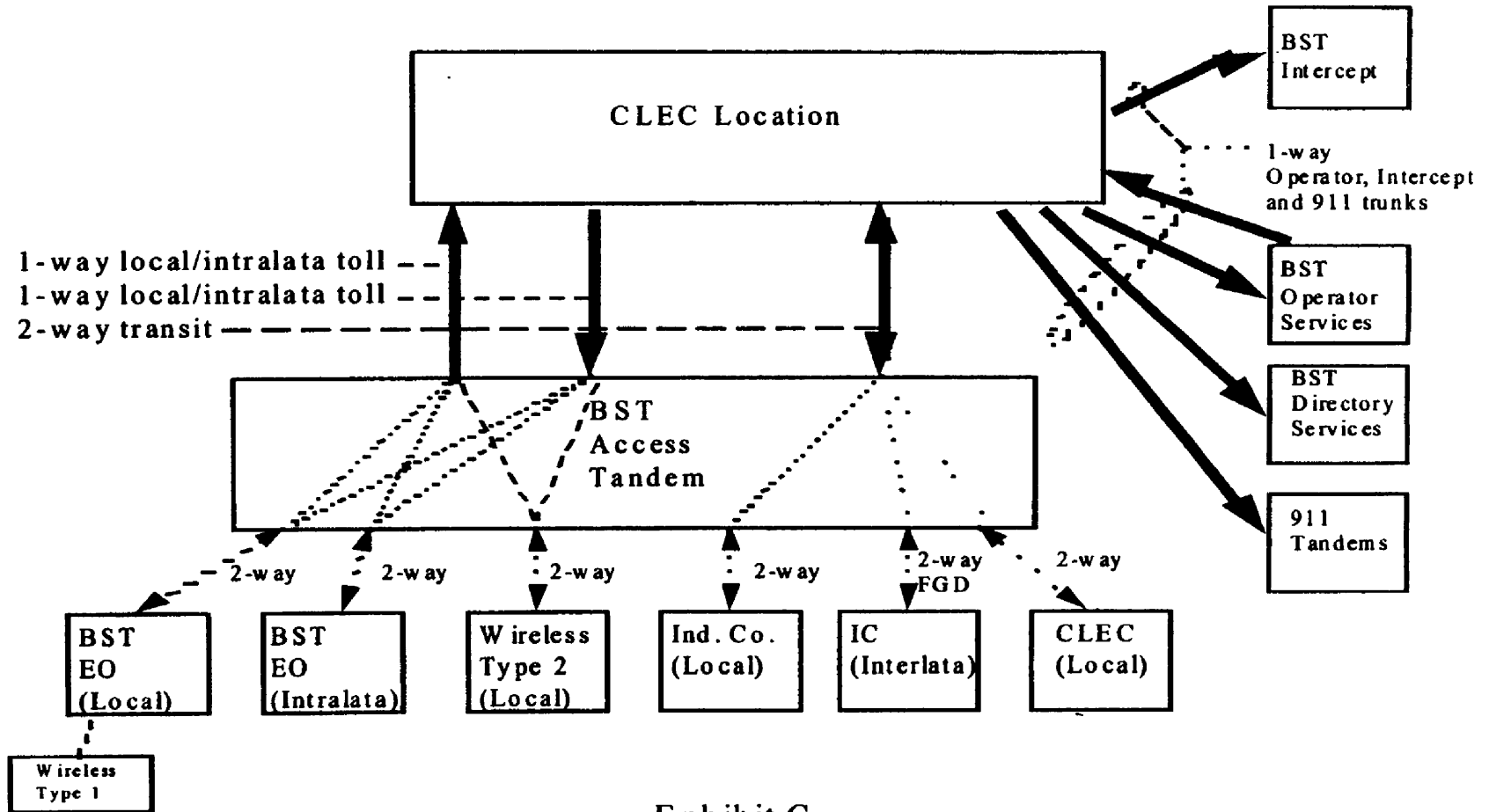


Exhibit C

Two-Way Trunking Architecture

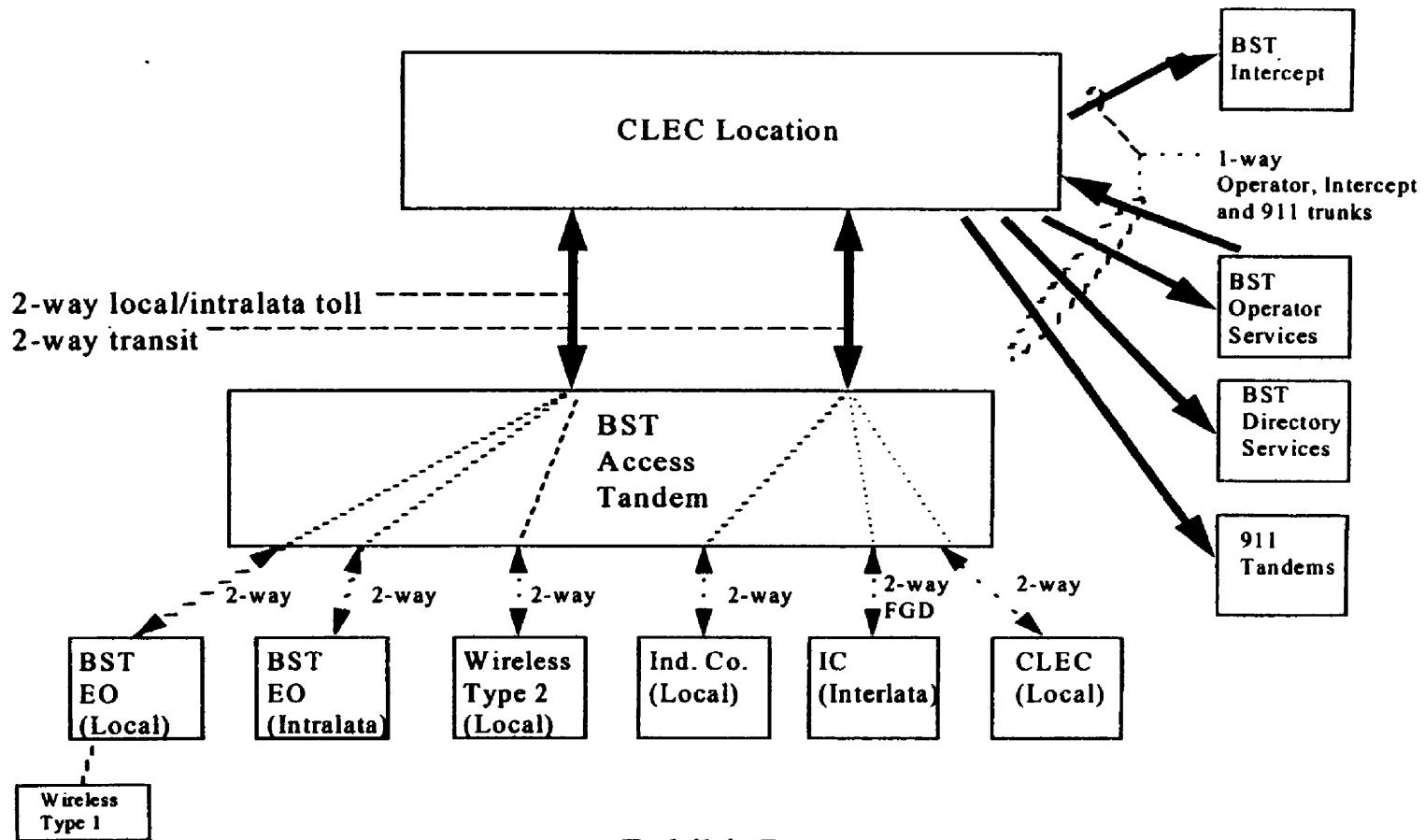
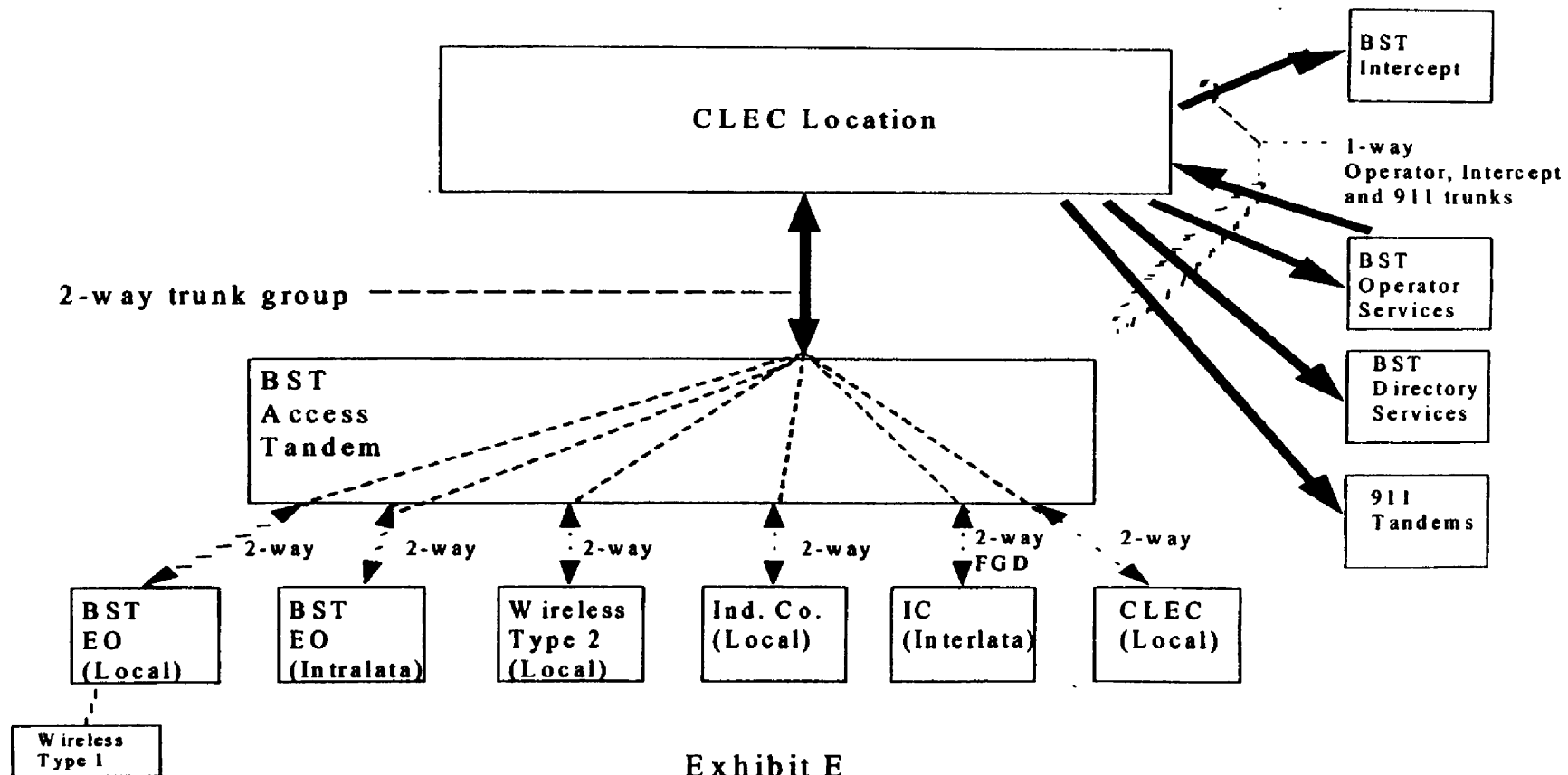


Exhibit D

SuperGroup Architecture



BELLSOUTH Actual RATES
LOCAL INTERCONNECTION

| DESCRIPTION | USOC | FL | GA | TN |
|--|-------|------------|-------------|------------|
| LOCAL INTERCONNECTION (CALL TRANSPORT AND TERMINATION) | | | | |
| End Office Switching, per mou | N/A | NA | \$0.0016333 | \$0.0019 |
| Direct Local Interconnection, per mou (same as End Office Switching in FL) | | \$0.002 | NA | NA |
| Tandem Switching, per mou | N/A | \$0.00029 | \$0.0006757 | \$0.000676 |
| Tandem Local Interconnection, per mou (includes end office switching element) | N/A | \$0.00325 | NA | NA |
| Multiple Tandem Switching, per mou (applies to initial tandem only), effective 10/99 | N/A | \$0.00125 | NA | NA |
| Local Intermediary, per mou (applies to transit traffic only) | N/A | \$0.00125 | NA | NA |
| Tandem Intermediary Charge, per mou* | N/A | NA | NA | NA |
| *(This charge is applicable only to transit traffic and is applied in addition to applicable switching and/or interconnection charges.) | | | | |
| TRUNK CHARGE | | | | |
| Interim charges, both non-recurring and recurring, associated with interconnecting trunk groups between BellSouth and CLEC-1 shall be as set forth in this Exhibit. At such time as BellSouth develops a final cost based rate for such interconnecting trunk groups, the Parties shall amend this agreement to include such final cost based rates and shall true up such charges in accordance with this Attachment. | | | | |
| Installation Trunk Side Service - per D90 | | | | |
| NRC - 1st | TPP++ | \$336.43 | \$333.28 | \$334.29 |
| NRC - Add'l | TPP++ | \$57.38 | \$56.84 | \$57.01 |
| INTEROFFICE TRANSPORT | | | | |
| Common (Shared) Transport | | | | |
| Common (Shared) Transport per mile per mou | N/A | \$0.000012 | \$0.000008 | \$0.00004 |
| Common (Shared) Transport Facilities Termination per mou | N/A | \$0.0005 | \$0.0004152 | \$0.00036 |
| Interoffice Channel Transport - Dedicated - VG | | | | |
| Interoffice Transport - Dedicated - 2-wire VG | | | | |
| 2-Wire VG - per mile per month | 1L5XF | \$0.0088 | \$0.0222 | \$0.0173 |
| 2-Wire VG - Facility Termination per month | 1L5XF | \$26.52 | \$17.07 | \$18.33 |
| NRC - 2-wire VG - Facility Termination - 1st | 1L5XF | \$81.09 | \$79.61 | \$55.39 |
| NRC - 2-wire VG - Facility Termination - Add'l | 1L5XF | \$54.83 | \$36.08 | \$17.37 |
| NRC - 2-wire VG - Facility Termination - Disconnect Charge - 1st | 1L5XF | \$31.01 | NA | \$27.96 |
| NRC - 2-wire VG - Facility Termination - Disconnect Charge - Add'l | 1L5XF | \$12.78 | NA | \$3.51 |
| NRC - Manual Svc Order, per LSR | SOMAN | \$21.56 | NA | \$19.99 |
| NRC - Manual Svc Order, per LSR disconnect | SOMAN | \$3.84 | NA | NA |
| NRC - Electronic Svc Order, per LSR | SOMEK | \$2.75 | \$3.50 | \$3.50 |
| NRC - Electronic Svc Order, per LSR disconnect | SOMEK | \$0.42 | NA | NA |
| NRC - 2-wire VG - Incremental Charge - Manual Svc Order - 1st | SOMAN | NA | \$18.94 | NA |
| NRC - 2-wire VG - Incremental Charge - Manual Svc Order - Add'l | SOMAN | NA | \$18.94 | NA |
| NRC - 2-wire VG - Incremental Charge - Manual Svc Order - Disconnect - 1st | SOMAN | NA | NA | NA |
| NRC - 2-wire VG - Incremental Charge - Manual Svc Order - Disconnect - Add'l | SOMAN | NA | NA | NA |
| Interoffice Transport - Dedicated - 2 Wire VG - Kentucky & Mississippi | | | | |
| 2-Wire VG - per mile per month | 1L5NF | NA | NA | NA |
| 2-Wire VG - Facility Termination per month | 1L5NF | NA | NA | NA |
| NRC - 2-wire VG - Facility Termination - 1st | 1L5NF | NA | NA | NA |
| NRC - 2-wire VG - Facility Termination - Add'l | 1L5NF | NA | NA | NA |
| NRC - 2-wire VG - Facility Termination - Disconnect Charge - 1st | 1L5NF | NA | NA | NA |

BELLSOUTH/Actel RATES
LOCAL INTERCONNECTION

| DESCRIPTION | USOC | FL | GA | TN |
|--|-------|----------|----------|----------|
| NRC - 2-wire VG - Facility Termination - Disconnect Charge - Add'l | 1L5NF | NA | NA | NA |
| NRC - Manual Svc Order, per LSR | SOMAN | NA | NA | NA |
| NRC - Manual Svc Order, per LSR disconnect | SOMAN | NA | NA | NA |
| NRC - Electronic Svc Order, per LSR | SOMEK | NA | NA | NA |
| NRC - Electronic Svc Order, per LSR disconnect | SOMEK | NA | NA | NA |
| NRC - 2-wire VG - Incremental Charge - Manual Svc Order - 1st | SOMAN | NA | NA | NA |
| NRC - 2-wire VG - Incremental Charge - Manual Svc Order - Add'l | SOMAN | NA | NA | NA |
| NRC - 2-wire VG - Incremental Charge - Manual Svc Order - Disconnect - 1st | SOMAN | NA | NA | NA |
| NRC - 2-wire VG - Incremental Charge - Manual Svc Order - Disconnect - Add'l | SOMAN | NA | NA | NA |
| Interoffice Transport - Dedicated - DS0 - 56/64 Kbps | | | | |
| DS0 - per mile per month | 1L5XK | \$0.0098 | \$0.0222 | \$0.1730 |
| DS0 - Facility Termination per month | 1L5XK | \$19.31 | \$16.45 | \$17.74 |
| NRC - DS0 - Facility Termination - 1st | 1L5XK | \$81.11 | \$79.61 | \$55.39 |
| NRC - DS0 - Facility Termination - Add'l | 1L5XK | \$54.83 | \$36.08 | \$17.37 |
| NRC - DS0 - Facility Termination - Disconnect Charge - 1st | 1L5XK | \$31.01 | NA | \$27.96 |
| NRC - DS0 - Facility Termination - Disconnect Charge - Add'l | 1L5XK | \$12.78 | NA | \$3.51 |
| NRC - Manual Svc Order, per LSR | SOMAN | \$21.56 | NA | \$19.99 |
| NRC - Manual Svc Order, per LSR disconnect | SOMAN | \$3.84 | NA | NA |
| NRC - Electronic Svc Order, per LSR | SOMEK | \$2.77 | \$3.50 | \$3.50 |
| NRC - Electronic Svc Order, per LSR disconnect | SOMEK | \$0.42 | NA | NA |
| NRC - DS0 - Incremental Charge - Manual Svc Order - 1st | SOMAN | NA | \$18.94 | NA |
| NRC - DS0 - Incremental Charge - Manual Svc Order - Add'l | SOMAN | NA | \$18.94 | NA |
| NRC - DS0 - Incremental Charge - Manual Svc Order - Disconnect - 1st | SOMAN | NA | NA | NA |
| NRC - DS0 - Incremental Charge - Manual Svc Order - Disconnect - Add'l | SOMAN | NA | NA | NA |
| Interoffice Transport - Dedicated - DS0 - 56/64 Kbps - Kentucky & Mississippi | | | | |
| DS0 - per mile per month | 1L5NK | NA | NA | NA |
| DS0 - Facility Termination per month | 1L5NK | NA | NA | NA |
| NRC - DS0 - Facility Termination - 1st | 1L5NK | NA | NA | NA |
| NRC - DS0 - Facility Termination - Add'l | 1L5NK | NA | NA | NA |
| NRC - DS0 - Facility Termination - Disconnect Charge - 1st | 1L5NK | NA | NA | NA |
| NRC - DS0 - Facility Termination - Disconnect Charge - Add'l | 1L5NK | NA | NA | NA |
| NRC - Manual Svc Order, per LSR | SOMAN | NA | NA | NA |
| NRC - Manual Svc Order, per LSR disconnect | SOMAN | NA | NA | NA |
| NRC - Electronic Svc Order, per LSR | SOMEK | NA | NA | NA |
| NRC - Electronic Svc Order, per LSR disconnect | SOMEK | NA | NA | NA |
| NRC - DS0 - Incremental Charge - Manual Svc Order - 1st | SOMAN | NA | NA | NA |
| NRC - DS0 - Incremental Charge - Manual Svc Order - Add'l | SOMAN | NA | NA | NA |
| NRC - DS0 - Incremental Charge - Manual Svc Order - Disconnect - 1st | SOMAN | NA | NA | NA |
| NRC - DS0 - Incremental Charge - Manual Svc Order - Disconnect - Add'l | SOMAN | NA | NA | NA |
| Interoffice Transport - Dedicated - DS1 | | | | |
| DS1 - per mile per month | 1L5XL | \$0.6013 | \$0.4523 | \$0.3525 |
| DS1 - Facility Termination per month | 1L5XL | \$99.79 | \$78.47 | \$75.83 |
| NRC - DS1 - Facility Termination - 1st | 1L5XL | \$45.91 | \$147.07 | \$145.98 |

BELLSOUTH/Actual RATES
LOCAL INTERCONNECTION

| DESCRIPTION | USOC | FL | GA | TN |
|---|--------|------------|----------|----------|
| NRC - DS1 - Facility Termination - Add'l | 1L5XL | \$44.18 | \$111.75 | \$109.85 |
| NRC - DS1 - Facility Termination - Disconnect Charge - 1st | 1L5XL | \$30.30 | NA | \$19.55 |
| NRC - DS1 - Facility Termination - Disconnect Charge - Add'l | 1L5XL | \$26.76 | NA | \$14.99 |
| NRC - Manual Svc Order, per LSR | SOMAN | \$21.56 | NA | \$19.99 |
| NRC - Manual Svc Order, per LSR disconnect | SOMAN | \$3.84 | NA | NA |
| NRC - Electronic Svc Order, per LSR | SOMECE | \$2.77 | \$3.50 | \$3.50 |
| NRC - Electronic Svc Order, per LSR disconnect | SOMECE | \$0.42 | NA | NA |
| NRC - DS1 - Incremental Charge--Manual Svc Order - 1st | SOMAN | NA | \$18.94 | NA |
| NRC - DS1 - Incremental Charge--Manual Svc Order - Add'l | SOMAN | NA | \$18.94 | NA |
| NRC - DS1 - Incremental Charge--Manual Svc Order-Disconnect--1st | SOMAN | NA | NA | NA |
| NRC - DS1 - Incremental Charge--Manual Svc Order-Disconnect--Add'l | SOMAN | NA | NA | NA |
| Interoffice Transport - Dedicated - DS1 - Kentucky & Mississippi | | | | |
| DS1 - per mile per month | 1L5NL | NA | NA | NA |
| DS1 - Facility Termination per month | 1L5NL | NA | NA | NA |
| NRC - DS1-Facility Termination - 1st | 1L5NL | NA | NA | NA |
| NRC - DS1 - Facility Termination - Add'l | 1L5NL | NA | NA | NA |
| NRC - DS1 - Facility Termination - Disconnect Charge - 1st | 1L5NL | NA | NA | NA |
| NRC - DS1 - Facility Termination - Disconnect Charge - Add'l | 1L5NL | NA | NA | NA |
| NRC - Manual Svc Order, per LSR | SOMAN | NA | NA | NA |
| NRC - Manual Svc Order, per LSR disconnect | SOMAN | NA | NA | NA |
| NRC - Electronic Svc Order, per LSR | SOMECE | NA | NA | NA |
| NRC - Electronic Svc Order, per LSR disconnect | SOMECE | NA | NA | NA |
| NRC - DS1 - Incremental Charge--Manual Svc Order - 1st | SOMAN | NA | NA | NA |
| NRC - DS1 - Incremental Charge--Manual Svc Order - Add'l | SOMAN | NA | NA | NA |
| NRC - DS1 - Incremental Charge--Manual Svc Order-Disconnect--1st | SOMAN | NA | NA | NA |
| NRC - DS1 - Incremental Charge--Manual Svc Order-Disconnect--Add'l | SOMAN | NA | NA | NA |
| Interoffice Transport - Dedicated - DS3 | | | | |
| DS3 - per mile per month | 1L5XM | \$4.17 | \$2.72 | \$5.89 |
| DS3 - Facility Termination per month | 1L5XM | \$1,121.93 | \$788.00 | \$760.20 |
| NRC - DS3 - Facility Termination - 1st | 1L5XM | \$557.69 | \$511.10 | \$625.91 |
| NRC - DS3 - Facility Termination - Add'l | 1L5XM | \$325.61 | \$330.77 | \$311.39 |
| NRC - DS3 - Facility Termination - Disconnect Charge - 1st | 1L5XM | \$111.56 | \$122.31 | \$103.36 |
| NRC - DS3 - Facility Termination - Disconnect Charge - Add'l | 1L5XM | \$108.34 | \$119.14 | \$100.59 |
| NRC - Manual Svc Order, per LSR | SOMAN | \$21.56 | NA | \$19.99 |
| NRC - Manual Svc Order, per LSR disconnect | SOMAN | \$3.84 | NA | NA |
| NRC - Electronic Svc Order, per LSR | SOMECE | \$2.77 | \$3.50 | \$3.50 |
| NRC - Electronic Svc Order, per LSR disconnect | SOMECE | \$0.42 | NA | NA |
| NRC - DS3 - Incremental Charge--Manual Svc Order - 1st | SOMAN | NA | \$37.55 | NA |
| NRC - DS3 - Incremental Charge--Manual Svc Order - Add'l | SOMAN | NA | \$37.55 | NA |
| NRC - DS3 - Incremental Charge--Manual Svc Order-Disconnect--1st | SOMAN | NA | \$18.03 | NA |
| NRC - DS3 - Incremental Charge--Manual Svc Order-Disconnect--Add'l | SOMAN | NA | \$18.03 | NA |
| Interoffice Transport - Dedicated - DS3 - Kentucky & Mississippi | | | | |
| DS3 - per mile per month | 1L5NM | NA | NA | NA |
| DS3 - Facility Termination per month | 1L5NM | NA | NA | NA |

BELLSOUTH/Actual RATES
LOCAL INTERCONNECTION

| DESCRIPTION | USOC | FL | GA | TN |
|---|--------|----------|----------|----------|
| NRC - DS3 - Facility Termination - 1st | 1L5NM | NA | NA | NA |
| NRC - DS3 - Facility Termination - Add'l | 1L5NM | NA | NA | NA |
| NRC - DS3 - Facility Termination - Disconnect Charge - 1st | 1L5NM | NA | NA | NA |
| NRC - DS3 - Facility Termination - Disconnect Charge - Add'l | 1L5NM | NA | NA | NA |
| NRC - Manual Svc Order, per LSR | SOMAN | NA | NA | NA |
| NRC - Manual Svc Order, per LSR disconnect | SOMAN | NA | NA | NA |
| NRC - Electronic Svc Order, per LSR | SOMECH | NA | NA | NA |
| NRC - Electronic Svc Order, per LSR disconnect | SOMECH | NA | NA | NA |
| NRC - DS3 - Incremental Charge--Manual Svc Order - 1st | SOMAN | NA | NA | NA |
| NRC - DS3 - Incremental Charge--Manual Svc Order - Add'l | SOMAN | NA | NA | NA |
| NRC - DS3 - Incremental Charge--Manual Svc Order-Disconnect--1st | SOMAN | NA | NA | NA |
| NRC - DS3 - Incremental Charge--Manual Svc Order-Disconnect--Add'l | SOMAN | NA | NA | NA |
| Local Channel - Dedicated | | | | |
| Local Channel - Dedicated - 2-Wire VG | | | | |
| Monthly Recurring per month | TEFV2 | \$29.33 | \$13.91 | \$19.02 |
| NRC - 2-wire VG - Facility Termination - 1st | TEFV2 | \$386.34 | \$382.95 | \$199.33 |
| NRC - 2-wire VG - Facility Termination - Add'l | TEFV2 | \$66.36 | \$62.40 | \$24.16 |
| NRC - 2-wire VG - Facility Termination - Disconnect - 1st | TEFV2 | \$67.91 | NA | \$54.81 |
| NRC - 2-wire VG - Facility Termination - Disconnect - Add'l | TEFV2 | \$5.92 | NA | \$4.80 |
| NRC - Manual Svc Order, per LSR | SOMAN | \$21.56 | NA | \$19.99 |
| NRC - Manual Svc Order, per LSR disconnect | SOMAN | \$3.84 | NA | NA |
| NRC - Electronic Svc Order, per LSR | SOMECH | \$2.75 | \$3.50 | \$3.50 |
| NRC - Electronic Svc Order, per LSR disconnect | SOMECH | \$0.42 | NA | NA |
| NRC - 2-wire VG - Incremental Charge--Manual Svc Order - 1st | SOMAN | NA | \$18.94 | NA |
| NRC - 2-wire VG - Incremental Charge--Manual Svc Order - Add'l | SOMAN | NA | \$8.42 | NA |
| NRC - 2-wire VG - Incremental Cost - Manual Svc. Order vs. Elect-Disconnect-1st | SOMAN | NA | NA | NA |
| Local Channel - Dedicated - 4-Wire VG | | | | |
| Monthly Recurring per month | TEFV4 | \$30.50 | \$14.99 | \$20.14 |
| NRC - 4-Wire VG - 1st | TEFV4 | \$387.21 | \$368.44 | \$201.53 |
| NRC - 4-Wire VG - Add'l | TEFV4 | \$67.22 | \$64.05 | \$24.83 |
| NRC - 4-Wire VG - Disconnect Chg - 1st | TEFV4 | \$68.78 | NA | \$55.52 |
| NRC - 4-Wire VG - Disconnect Chg - Add'l | TEFV4 | \$6.79 | NA | \$5.51 |
| NRC - Manual Svc Order, per LSR | SOMAN | \$21.56 | NA | \$19.99 |
| NRC - Manual Svc Order, per LSR disconnect | SOMAN | \$3.84 | NA | NA |
| NRC - Electronic Svc Order, per LSR | SOMECH | \$2.75 | \$3.50 | \$3.50 |
| NRC - Electronic Svc Order, per LSR disconnect | SOMECH | \$0.42 | NA | NA |
| NRC - 4-Wire VG - Incremental Charge--Manual Svc Order - 1st | SOMAN | NA | \$18.94 | NA |
| NRC - 4-Wire VG - Incremental Charge--Manual Svc Order - Add'l | SOMAN | NA | \$8.42 | NA |
| Local Channel - Dedicated - DS1 | | | | |
| DS1 Monthly Recurring per month | TEFHG | \$43.53 | \$38.36 | \$40.27 |
| NRC - DS1 - 1st | TEFHG | \$242.45 | \$356.15 | \$277.35 |
| NRC - DS1 - Add'l | TEFHG | \$226.44 | \$312.89 | \$233.26 |
| NRC - DS1 - Disconnect Chg - 1st | *TEFHG | \$41.13 | NA | \$33.18 |
| NRC - DS1 - Disconnect Chg - Add'l | TEFHG | \$28.28 | NA | \$22.30 |

BELLSOUTH/Actel RATES
LOCAL INTERCONNECTION

| DESCRIPTION | USOC | FL | GA | TN |
|--|-------|----------|----------|----------|
| NRC - Manual Svc Order, per LSR | SOMAN | \$21.56 | NA | \$19.99 |
| NRC - Manual Svc Order, per LSR disconnect | SOMAN | \$3.84 | NA | NA |
| NRC - Electronic Svc Order, per LSR | SOMEK | \$2.75 | \$3.50 | \$3.50 |
| NRC - Electronic Svc Order, per LSR disconnect | SOMEK | \$0.42 | NA | NA |
| NRC - DS1 - Incremental Charge - Manual Svc Order - 1st | SOMAN | NA | \$44.22 | NA |
| NRC - DS1 - Incremental Charge - Manual Svc Order - Add'l | SOMAN | NA | NA | NA |
| Local Channel - Dedicated - DS3 | | | | |
| DS3 - Facility Termination per month | TEFHJ | \$570.06 | \$550.01 | \$633.15 |
| NRC - DS3 - Facility Termination - 1st | TEFHJ | \$903.37 | \$639.50 | \$726.16 |
| NRC - DS3 - Facility Termination - Add'l | TEFHJ | \$528.05 | \$426.40 | \$411.64 |
| NRC - DS3 - Facility Termination - Disconnect - 1st | TEFHJ | \$221.46 | \$122.31 | \$103.36 |
| NRC - DS3 - Facility Termination - Disconnect - Add'l | TEFHJ | \$154.90 | \$119.14 | \$100.59 |
| NRC - Manual Svc Order, per LSR | SOMAN | \$21.56 | NA | \$19.99 |
| NRC - Manual Svc Order, per LSR disconnect | SOMAN | \$3.84 | NA | NA |
| NRC - Electronic Svc Order, per LSR | SOMEK | \$2.75 | \$3.50 | \$3.50 |
| NRC - Electronic Svc Order, per LSR disconnect | SOMEK | \$0.42 | NA | NA |
| NRC - DS3 - Incremental Charge - Manual Svc Order - 1st | SOMAN | NA | \$37.55 | NA |
| NRC - DS3 - Incremental Charge - Manual Svc Order - Add'l | SOMAN | NA | \$37.55 | NA |
| NRC - DS3 - Incremental Charge - Manual Svc Order - Disconnect - 1st | SOMAN | NA | \$18.03 | NA |
| NRC - DS3 - Incremental Charge - Manual Svc Order - Disconnect - Add'l | SOMAN | NA | \$18.03 | NA |
| CHANNELIZATION | | | | |
| DS3 Channelization (DS3 to DS1) | | | | |
| per Channelized System (28 DS1) per month | SATCS | \$220.97 | \$188.78 | \$185.94 |
| NRC - 1st | SATCS | \$356.40 | \$72.50 | \$61.09 |
| NRC - Add'l | SATCS | \$188.00 | \$59.96 | \$50.31 |
| NRC - 1st - Disconnect | SATCS | \$61.64 | \$11.02 | \$3.91 |
| NRC - Add'l - Disconnect | SATCS | \$58.98 | \$12.02 | \$12.61 |
| per Interface per month (COC) | SATCO | \$14.40 | \$9.66 | \$9.03 |
| NRC - 1st | SATCO | \$13.16 | NA | \$19.99 |
| NRC - Add'l | SATCO | \$9.43 | NA | NA |
| NRC - Manual Svc Order, per LSR | SOMEK | \$21.56 | \$3.50 | \$3.50 |
| NRC - Manual Svc Order, per LSR disconnect | SOMAN | \$3.84 | NA | NA |
| NRC - Electronic Svc Order, per LSR | SOMAN | NA | \$14.91 | \$21.71 |
| NRC - Electronic Svc Order, per LSR disconnect | SOMAN | NA | \$6.63 | \$10.46 |
| Channel System - Incremental Cost - Manual Svc. Order vs. Electronic - 1st | SOMAN | NA | \$10.82 | \$14.21 |
| Channel System - Incremental Cost - Manual Svc. Order vs. Electronic - Add'l | SOMAN | NA | NA | \$1.46 |
| DS3 Channelization (DS3 to DS1) - Kentucky & Mississippi | | | | |
| per Channelized System (28 DS1) per month | SATNS | NA | NA | NA |
| NRC - 1st | SATNS | NA | NA | NA |
| NRC - Add'l | SATNS | NA | NA | NA |
| NRC - 1st - Disconnect | SATNS | NA | NA | NA |
| NRC - Add'l - Disconnect | SATNS | NA | NA | NA |
| per Interface per month (COC) | SATCO | NA | NA | NA |

BELLSOUTH/Local RATES
LOCAL INTERCONNECTION

| DESCRIPTION | USOC | FL | GA | TN |
|---|--------|----------|----------|----------|
| NRC - 1st | SATCO | NA | NA | NA |
| NRC - Add'l | SATCO | NA | NA | NA |
| NRC - Manual Svc Order, per LSR | SOMAN | NA | NA | NA |
| NRC - Manual Svc Order, per LSR disconnect | SOMAN | NA | NA | NA |
| NRC - Electronic Svc Order, per LSR | SOMEK | NA | NA | NA |
| NRC - Electronic Svc Order, per LSR disconnect | SOMEK | NA | NA | NA |
| Channel System - Incremental Cost - Manual Svc. Order vs. Electronic -1st | SOMAN | NA | NA | NA |
| Channel System - Incremental Cost - Manual Svc. Order vs. Electronic -Add'l | SOMAN | NA | NA | NA |
| D81 Channelization (D81 to D80) | | | | |
| per Channelized System (24 DS0) per month | SATC1 | \$153.60 | \$126.22 | \$165.21 |
| NRC - 1st | SATC1 | \$182.14 | \$196.22 | \$197.21 |
| NRC - Add'l | SATC1 | \$125.18 | \$123.59 | \$119.99 |
| NRC -1sr - Disconnect | SATC1 | \$19.62 | \$31.03 | \$25.66 |
| NRC -Add'l - Disconnect | SATC1 | \$18.14 | \$19.75 | \$15.81 |
| - Interface (COCI) | | | | |
| per OCU-DP(data) card per month (2.4-64kbs) | SATSA | \$2.20 | \$1.66 | \$2.46 |
| NRC - 1st | SATSA | \$13.16 | \$12.02 | \$12.61 |
| NRC - Add'l | SATSA | \$9.43 | \$8.66 | \$9.03 |
| per BRITE card per month | SATSA | \$3.63 | \$3.71 | \$3.33 |
| NRC - 1st | SATSA | \$13.16 | \$12.02 | \$12.61 |
| NRC - Add'l | SATSA | \$9.43 | \$8.66 | \$9.03 |
| per VG card per month (DS0) | SATSA | \$1.45 | \$1.17 | \$1.25 |
| NRC - 1st | SATSA | \$13.16 | \$12.02 | \$12.61 |
| NRC - Add'l | SATSA | \$9.43 | \$8.66 | \$9.03 |
| NRC - Manual Svc Order, per LSR | SOMAN | \$21.56 | NA | \$19.99 |
| NRC - Manual Svc Order, per LSR disconnect | SOMAN | \$3.84 | NA | NA |
| NRC - Electronic Svc Order, per LSR | SOMEK | \$2.77 | \$3.50 | \$3.50 |
| NRC - Electronic Svc Order, per LSR disconnect | SOMEK | \$0.43 | NA | NA |
| Channel System - Incremental Cost - Manual Svc. Order vs. Electronic -1st | SOMAN | NA | \$14.75 | \$25.66 |
| Channel System - Incremental Cost - Manual Svc. Order vs. Electronic -Add'l | SOMAN | NA | \$6.55 | \$15.81 |
| Incremental Cost-Manual Svc. Order vs. Elect -Disconnect - 1st | SOMAN | NA | \$10.70 | \$14.21 |
| Incremental Cost-Manual Svc. Order vs. Elect -Disconnect - Add'l | SOMAN | NA | \$0.00 | \$1.46 |
| D81 Channelization (D81 to D80) - Kentucky & Mississippi | | | | |
| per Channelized System (24 DS0) per month | SASTN1 | NA | NA | NA |
| NRC - 1st | SASTN1 | NA | NA | NA |
| NRC - Add'l | SASTN1 | NA | NA | NA |
| NRC -1sr - Disconnect | SASTN1 | NA | NA | NA |
| NRC -Add'l - Disconnect | SASTN1 | NA | NA | NA |
| - Interface (COCI) | | | | |
| per OCU-DP(data) card per month (2.4-64kbs) | SATSA | NA | NA | NA |
| NRC - 1st | SATSA | NA | NA | NA |
| NRC - Add'l | SATSA | NA | NA | NA |
| per BRITE card per month | SATSA | NA | NA | NA |
| NRC - 1st | SATSA | NA | NA | NA |
| NRC - Add'l | SATSA | NA | NA | NA |
| per VG card per month (DS0) | SATSA | NA | NA | NA |
| NRC - 1st | SATSA | NA | NA | NA |
| NRC - Add'l | SATSA | NA | NA | NA |

BELLSOUTH/Actel RATES
LOCAL INTERCONNECTION .

Attachment 3
Exhibit A
Rates - Page 7
Exhibit B

| DESCRIPTION | USOC | FL | GA | TN |
|--|-------|------------|------------|------------|
| NRC - Manual Svc Order, per LSR | SOMAN | NA | NA | NA |
| NRC - Manual Svc Order, per LSR disconnect | SOMAN | NA | NA | NA |
| NRC - Electronic Svc Order, per LSR | SOMEK | NA | NA | NA |
| NRC - Electronic Svc Order, per LSR disconnect | SOMEK | NA | NA | NA |
| Channel System - Incremental Cost - Manual Svc. Order vs. Electronic -1st | SOMAN | NA | NA | NA |
| Channel System - Incremental Cost - Manual Svc. Order vs. Electronic -Add'l | SOMAN | NA | NA | NA |
| Incremental Cost-Manual Svc. Order vs. Elect -Disconnect - 1st | SOMAN | NA | NA | NA |
| Incremental Cost-Manual Svc. Order vs. Elect -Disconnect - Add'l | SOMAN | NA | NA | NA |
| Local Interconnection Mid-Span Meet | | | | |
| Local Channel - Dedicated - DS1 | | | | |
| DS1 Monthly Recurring per month | TEFHG | \$17.27 | \$15.95 | \$17.90 |
| NRC - DS1 - 1st | TEFHG | \$553.19 | \$545.80 | \$547.48 |
| NRC - DS1 - Add'l | TEFHG | \$477.22 | \$470.84 | \$472.29 |
| NRC - DS1 - Disconnect Chg - 1st | TEFHG | TBD | TBD | TBD |
| NRC - DS1 - Disconnect Chg - Add'l | TEFHG | TBD | TBD | TBD |
| NRC - DS1 - Incremental Charge-Manual Svc Order - 1st | SOMAN | 90.0705 | \$88.67 | \$89.14 |
| NRC - DS1 - Incremental Charge-Manual Svc Order - Add'l | SOMAN | 90.0705 | 88.8666 | \$89.14 |
| NRC - DS1 - Incremental Charge-Manual Svc Order-Disconnect | SOMAN | TBD | TBD | TBD |
| Local Channel - Dedicated - DS3 | | | | |
| DS3 - Facility Termination per month | TEFHJ | \$245.65 | \$231.61 | \$285.50 |
| NRC - DS3 - Facility Termination - 1st | TEFHJ | \$1,079.15 | \$1,064.72 | \$1,068.00 |
| NRC - DS3 - Facility Termination - Add'l | TEFHJ | 678.85.98 | \$669.79 | \$671.85 |
| NRC - DS1 - Disconnect Chg - 1st | TEFHJ | TBD | TBD | TBD |
| NRC - DS1 - Disconnect Chg - Add'l | TEFHJ | TBD | TBD | TBD |
| NRC - DS3 -Incremental Charge-Manual Svc Order - 1st | SOMAN | \$95.61 | \$94.34 | \$94.63 |
| NRC - DS3 - Incremental Charge-Manual Svc Order - Add'l | SOMAN | \$95.61 | \$94.34 | \$94.63 |
| NRC - DS1 - Incremental Charge-Manual Svc Order-Disconnect | SOMAN | TBD | TBD | TBD |
| NOTES: | | | | |
| If no rate is identified in the contract, the rate for the specific service or function will be as set forth in applicable BellSouth tariff or as negotiated by the P. | | | | |