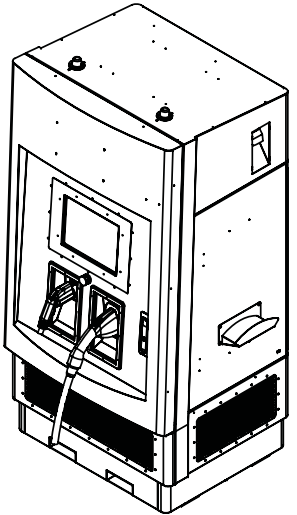
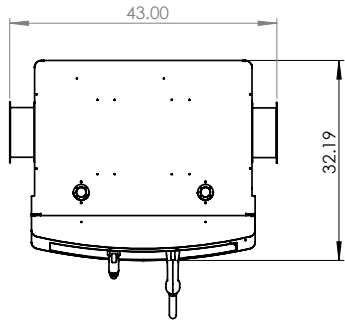
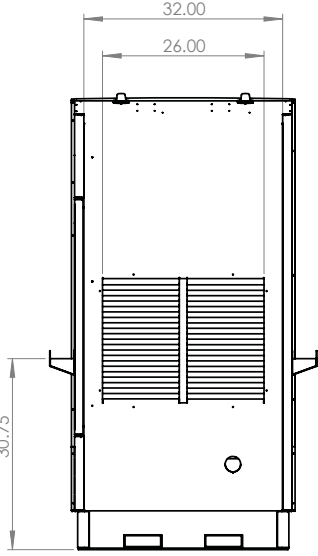
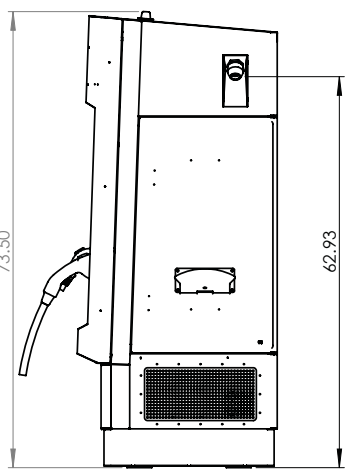
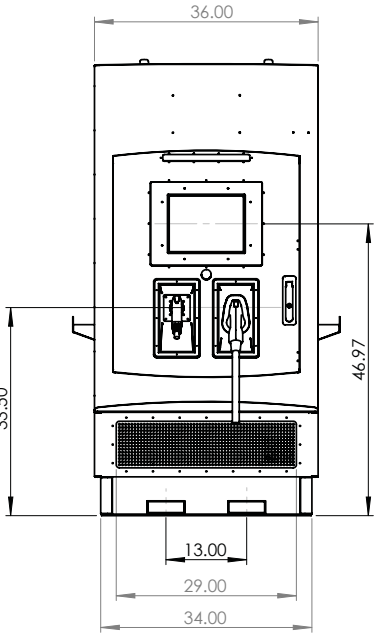
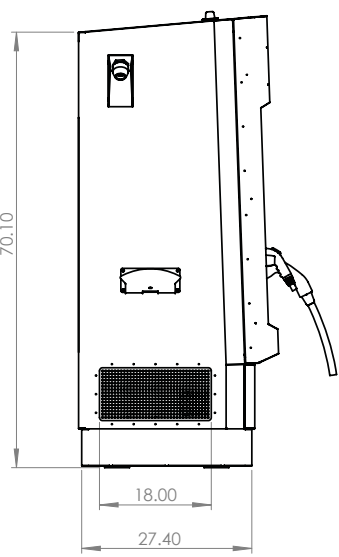


8 7 6 5 4 3 2 1

REVISIONS			
REV	DESCRIPTION	DATE	APPR
A	RELEASE FOR PRODUCTION	07/12/13	CC



ISOMETRIC VIEW



- NOTES: UNLESS OTHERWISE SPECIFIED
- ALL DIMENSIONS SHOWN ARE FOR FABRICATIONS AND INSPECTIONS PURPOSES. GEOMETRY IS CONTROLLED AND MAINTAINED BY CAD FILE.
 - REMOVE ALL BURRS AND SHARP EDGES.
 - MATERIAL: 14 GA CRS (0.074 THK)
 - FINISH: NONE
 - WELD ALL UNIONS AND SMOOTH

PROPRIETARY AND CONFIDENTIAL
 THE INFORMATION CONTAINED IN THIS DRAWING IS THE SOLE PROPERTY OF "BTC Power Inc." ANY REPRODUCTION IN PART OR AS A WHOLE WITHOUT THE WRITTEN PERMISSION IS PROHIBITED.

NEXT ASSY	USED ON
APPLICATION	

UNLESS OTHERWISE SPECIFIED: DIMENSIONS ARE IN INCHES TOLERANCES: FRACTIONAL ± ANGULAR: MACH ± BEND ± TWO PLACE DECIMAL ± THREE PLACE DECIMAL ±	NAME ANDRES	DATE 07/12/13
	DRAWN	07/12/13
	CHECKED	
	ENG APPR.	CC 07/12/13
MATERIAL SEE NOTE #3	COMMENTS:	
FINISH SEE NOTE #4		

BTC Power Inc.		
TITLE: EVP II FAST CHARGER		
SIZE B	DWG. NO. EVP-212-50-00	REV A
SCALE: 1:50 WEIGHT:		SHEET 1 OF 1

8 7 6 5 4 3 2 1