

FOR 39' W X 80' L SOLAR PANEL SYSTEM

DNM ENGINEERING & ASSOCIATES, INC.
 P.O. BOX 42
 (352) 624-2068
 Ocala, Florida 34478
 FAX (352) 622-6643
 CAN: 9724

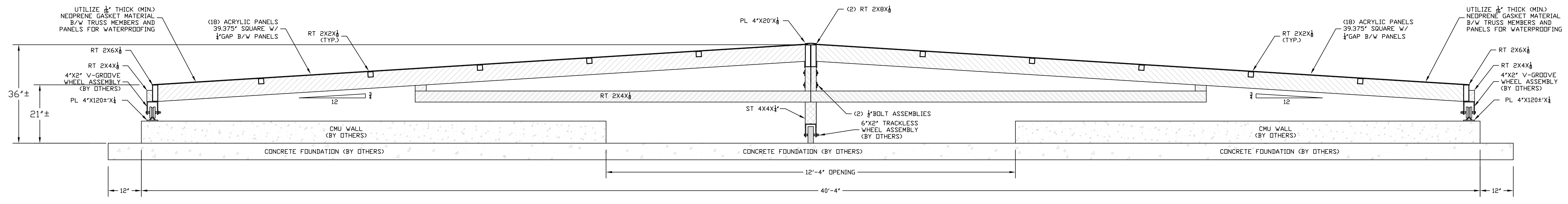
SOLAR SYSTEM FRAMING PLAN
 ECO SCIENCES
 39829 COUNTY ROAD 452
 LEESBURG, LAKE COUNTY, FLORIDA

DRN	CHK	DATE	DESCRIPTION
DAV	DAV	28 OCT 15	PRELIMINARY ISSUE
DAV	DAV	09 NOV 15	REVISED PER CLIENT
DAV	DAV	20 NOV 15	REVISED PER 39X60 CONC.
DAV	DAV	15 DEC 15	REVISED PER 39X80 SYSTEM

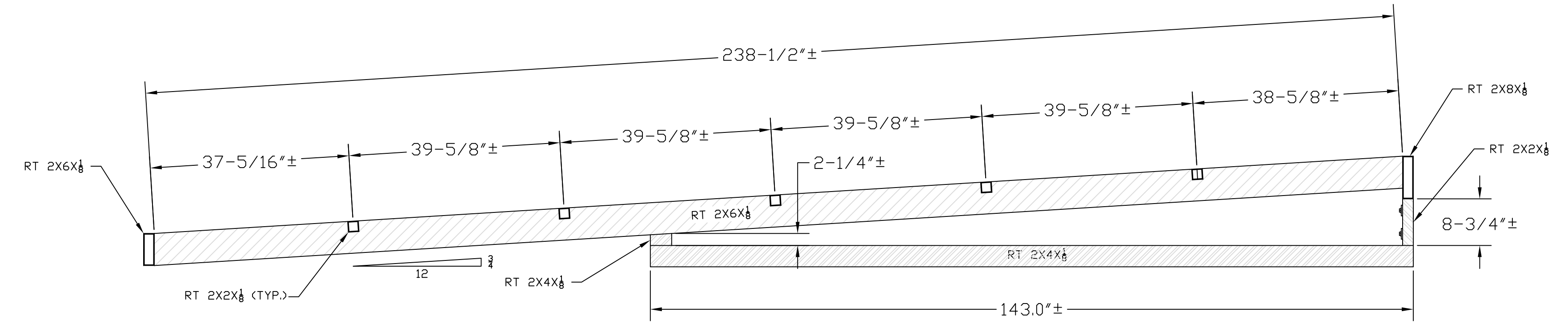
Project No. 15-078

FP1

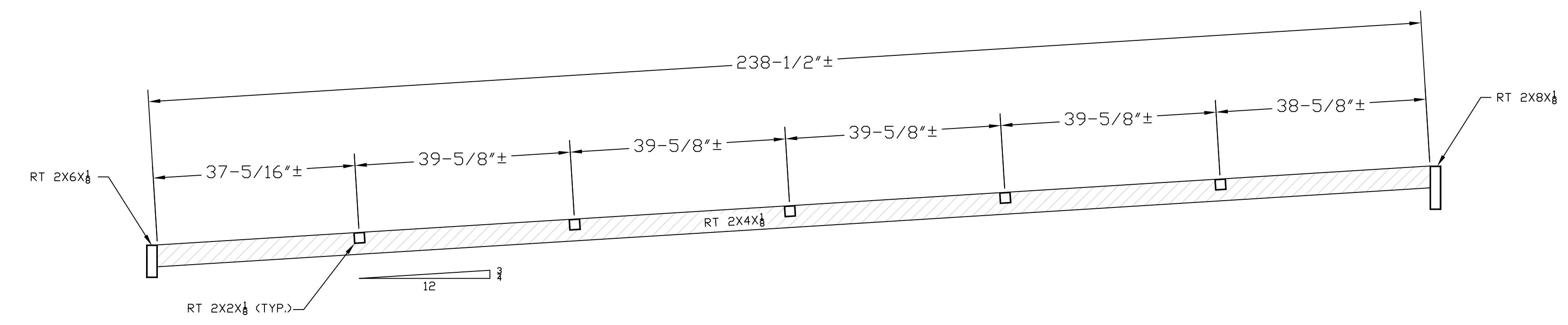
Sheet 1 Of 2



CROSS SECTION (TYPICAL)
(SCALE: 5/8" = 1')



TRUSS SECTION "T-1" (TYPICAL)
(SCALE: 3/4" = 1')



TRUSS SECTION "T-2" (TYPICAL)
(SCALE: 3/4" = 1')

DNM ENGINEERING & ASSOCIATES, INC.
 OCALA, FLORIDA 34478
 P.O. BOX 42
 (352) 624-2068
 (352) 622-6643
 CAN: 9724

SOLAR SYSTEM FRAMING PLAN
 ECO SCIENCES
 39829 COUNTY ROAD 452
 LEESBURG, LAKE COUNTY, FLORIDA

DRN	CHK	DATE	DESCRIPTION
DAV	DAV	28 OCT 15	PRELIMINARY ISSUE
DAV	DAV	09 NOV 15	REVISED PER CLIENT
DAV	DAV	20 NOV 15	REVISED PER 39X60 CONC.
DAV	DAV	15 DEC 15	REVISED PER 39X80 SYSTEM

Project No. 15-078