



March 30, 2016

Florida Public Service Commission
Attn: Ms. Carlotta Stauffer
Office of Commission Clerk
2540 Shumard Oak Boulevard
Tallahassee, Florida 32399-0850

Dear Ms. Stauffer:

In accordance with Section 186.801, Florida Statutes and Rule 25-22.071(1), Florida Administrative Code, Gainesville Regional Utilities hereby submits its electronic version of the 2016 Ten-Year Site Plan through your web-based filing system for your review.

We are also submitting five hardcopies of this document via overnight mail to arrive no later than April 1st.

Please let me know if you have any questions regarding our Ten-Year Site Plan.

Sincerely,

/s/Eric Walters
Administrative & Fuels Operations Director
Business, Fuels & Power System Operations
Gainesville Regional Utilities (GRU)
Administration Bldg
301 SE 4th Avenue
Gainesville, FL 32601
WALTERSEA@gru.com

GAINESVILLE REGIONAL UTILITIES

2016 TEN-YEAR SITE PLAN



Submitted to:

The Florida Public Service Commission

April 1, 2016

Table of Contents

INTRODUCTION	1
1. DESCRIPTION OF EXISTING FACILITIES	2
1.1 GENERATION	2
1.1.1 Generating Units	3
1.1.2 Generating Plant Sites	4
1.1.3 Other Generation Entitlements.....	5
1.2 TRANSMISSION.....	5
1.2.1 The Transmission Network.....	5
1.2.2 Transmission Lines	6
1.2.3 State Interconnections.....	6
1.3 DISTRIBUTION.....	7
1.4 WHOLESALE ENERGY.....	8
1.5 DISTRIBUTED GENERATION.....	8
Figure 1.1 GRU Electric Facilities.....	10
Figure 1.2 GRU Electric System One-Line Diagram	11
Schedule 1 Existing Generating Facilities	12
Table 1.1 Transmission Line Ratings Summer Power Flow Limits.....	13
Table 1.2 Substation Transformation and Circuits	14
2. FORECAST OF ELECTRIC ENERGY AND DEMAND REQUIREMENTS	15
2.1 FORECAST ASSUMPTIONS AND DATA SOURCES.....	15
2.2 FORECASTS OF NUMBER OF CUSTOMERS, ENERGY SALES AND SEASONAL PEAK DEMANDS	17
2.2.1 Residential Sector	17
2.2.2 General Service Non-Demand Sector	19
2.2.3 General Service Demand Sector.....	21
2.2.4 Large Power Sector.....	22
2.2.5 Outdoor Lighting Sector.....	23
2.2.6 Wholesale Energy Sales	23
2.2.7 Total System Sales, Net Energy for Load, Seasonal Peak Demands and Conservation Impacts.....	25
2.3 ENERGY SOURCES AND FUEL REQUIREMENTS.....	25
2.3.1 Fuels Used by System.....	25
2.3.2 Purchased Power Agreements.....	26
2.4 DEMAND-SIDE MANAGEMENT	27
2.4.1 Demand-Side Management Programs	27
2.4.2 Demand-Side Management Methodology and Results	28
2.4.3 Supply Side Programs.....	28
2.5 FUEL PRICE FORECAST ASSUMPTIONS.....	29
2.5.1 Coal.....	29
2.5.2 Natural Gas	30

History and Forecast of Energy Consumption and Number of Customers by Customer Class	
Schedule 2.1	32
Schedule 2.2	33
Schedule 2.3	34
History and Forecast of Peak Demand - MW	
Schedule 3.1 Summer.....	35
Schedule 3.2 Winter.....	36
History and Forecast of Net Energy for Load - GWH	
Schedule 3.3	37
Previous Year and 2-Year Forecast of Peak Demand and Net Energy for Load	
Schedule 4	38
Fuel Requirements	
Schedule 5	39
Energy Sources (GWH)	
Schedule 6.1	40
Energy Sources (%)	
Schedule 6.2	41
3. FORECAST OF FACILITIES REQUIREMENTS	42
3.1 GENERATION RETIREMENTS.....	42
3.2 RESERVE MARGIN AND SCHEDULED MAINTENANCE	42
3.3 GENERATION ADDITIONS	42
3.4 DISTRIBUTION SYSTEM ADDITIONS.....	42
Forecast of Capacity, Demand, and Scheduled Maintenance at Time of Peak	
Schedule 7.1 Summer.....	44
Schedule 7.2 Winter.....	45
Planned and Prospective Generating Facility Additions and Changes	
Schedule 8	46
Description of Proposed Facility Under Discussion	
Schedule 9	47
4. ENVIRONMENTAL AND LAND USE INFORMATION.....	48
4.1. DESCRIPTION OF POTENTIAL SITES FOR NEW GENERATING FACILITIES.....	48
4.2 DESCRIPTION OF PREFERRED SITES FOR NEW GENERATING FACILITIES.....	48
4.2.1 Land Use and Environmental Features	48
4.2.2 Air Emissions.....	49
Deerhaven Generating Site Location Map	50
South Energy Center Generating Site Location Map	51

INTRODUCTION

The 2016 Ten-Year Site Plan for Gainesville Regional Utilities (GRU) is submitted to the Florida Public Service Commission pursuant to Section 186.801, Florida Statutes. The contents of this report conform to information requirements listed in Form PSC/RAD 043-E, as specified by Rule 25-22.072, Florida Administrative Code. The four sections of the 2016 Ten-Year Site Plan are:

- Description of Existing Facilities
- Forecast of Electric Energy and Demand Requirements
- Forecast of Facilities Requirements
- Environmental and Land Use Information

Gainesville Regional Utilities (GRU) is a municipal electric, natural gas, water, wastewater, and telecommunications utility system, owned and operated by the City of Gainesville, Florida. The GRU retail electric system service area includes the City of Gainesville and the surrounding urban area. The highest net integrated peak demand recorded to date on GRU's electrical system was 481 Megawatts on August 8, 2007.

1. DESCRIPTION OF EXISTING FACILITIES

Gainesville Regional Utilities (GRU) operates a fully vertically-integrated electric power production, transmission, and distribution system (herein referred to as "the System"), and is wholly owned by the City of Gainesville. In addition to retail electric service, GRU also provides wholesale electric service to the City of Alachua (Alachua) and transmission service to Seminole Electric Cooperative (Seminole). GRU's distribution system serves its retail territory of approximately 124 square miles and an average of 94,616 customers during 2015. The general locations of GRU electric facilities and the electric system service area are shown in Figure 1.1.

1.1 GENERATION

The existing generating facilities operated by GRU are tabulated in Schedule 1 at the end of this section. The present Summer Net Continuous Capacity is 524.5 MW and the Winter Net Continuous Capacity is 553.5 MW. Currently, the System's energy is produced by three fossil fuel steam turbines¹, one of which is part of a combined cycle unit; and five combustion turbines, three of which are simple cycle, one which can generate in either simple or combined cycle mode; and one which provides distributed generation.

The System has two primary generating plant sites – Deerhaven (DH) and John R. Kelly (JRK). Each site is comprised of both steam turbine and combustion turbine generating units. The JRK station is the site of the steam turbine and combustion turbine that normally operate in combined cycle.^(1,2)

1 One steam turbine, JRK steam turbine (ST) 8, operates only in combined cycle with JRK combustion turbine (CT) 4. As CT4 is fossil fueled, the steam created by the heat recovery steam generator (HRSG) into which it exhausts when in combined cycle mode is produced by fossil fuel. Therefore ST8 is indirectly driven by fossil fuel. No capability exists to directly burn fossil fuel to produce steam for ST8.

2 CT4 may be operated in simple cycle.

1.1.1 Generating Units⁽³⁾

1.1.1.1 Simple Cycle Steam and Combined Cycle Units. The System's two operational simple cycle steam turbines and one combined cycle steam turbine are powered by fossil fuels⁽⁴⁾. The two simple cycle fossil-fueled steam turbines comprise 58.5% of the System's Net Summer Continuous Capacity and produced 36.5% of the electric energy supplied by the System in 2015. The combined cycle unit, which includes a heat recovery steam generator (HRSG), steam turbine/generator, and combustion turbine/generator, comprise 20.6% of the System's Net Summer Continuous Capacity and produced 26.6% of the electric energy supplied by the System in 2015. DH 2 (232 MW) and JRK CC1 (108 MW) have historically been used for base load purposes, while DH 1 (75 MW) was more commonly used for intermediate loading. The addition of 102.5 MW of biomass power by purchased power agreement (PPA) in 2013 has resulted in seasonal operation and increased load cycling of DH 2. It has also resulted in increased off/on cycling of JRK CC1 and reduced capacity factor of DH 1.

1.1.1.2 Simple Cycle Combustion Gas Turbines. The System's four industrial combustion turbines that operate only in simple cycle comprise 21.3% of the System's Summer Net generating capacity and produced less than 1% of the electric energy supplied by the System in 2015. Three of these simple cycle combustion turbines are utilized for peaking purposes only as their energy conversion efficiencies are considerably lower than steam or combined cycle units. The combustion turbine that is used majority of the time in combined cycle can be operated in simple cycle to provide for peaking power. Simple cycle combustion

3 From this point forward in the document, all MW ratings are Summer Net continuous capacity unless otherwise stated.

4 One steam turbine, JRK steam turbine (ST) 8, operates only in combined cycle with JRK combustion turbine (CT) 4. As CT4 is fossil fueled, the steam created by the heat recovery steam generator (HRSG) into which it exhausts when in combined cycle mode is produced by fossil fuel. Therefore ST8 is indirectly driven by fossil fuel. No capability exists to directly burn fossil fuel to produce steam for ST8.

turbines are advantageous in that they can be started and placed on line quickly. The fourth combustion turbine operates to serve base load as part of a combined heating and power facility at the South Energy Center, further described in Section 1.5.

1.1.1.3 Environmental Considerations. The System's steam turbines utilize recirculating cooling towers with a mechanical draft for the cooling of condensed steam. DH 2 has an Air Quality Control System (AQCS) consisting of a "hot-side" electrostatic precipitator for the removal of fly ash, a selective catalytic reduction system (SCR) to reduce NO_x, a dry recirculating flue gas desulfurization unit to reduce sulfur dioxide (SO₂) and mercury (Hg), and a fabric filter baghouse to reduce particulates. The Deerhaven site operates with zero liquid discharge (ZLD) to surface waters.

1.1.2 Generating Plant Sites

The locations of the System's generating plant sites are shown on Figure 1.1.

1.1.2.1 John R. Kelly Plant. The Kelly Station is located in southeast Gainesville near the downtown business district, and consists of one combined cycle unit and the associated cooling facilities, fuel storage, pumping equipment, transmission and distribution equipment.

1.1.2.2 Deerhaven Plant. The Deerhaven Station is located six miles northwest of Gainesville. The facility consists of two steam turbines, three gas turbines, and the associated cooling facilities, fuel storage, pumping equipment and transmission equipment. DH 2 is coal fired and the site includes the coal unloading and storage facilities

1.1.3 Other Generation Entitlements

The Gainesville Renewable Energy Center (GREC) biomass-fueled generation facility is located on land leased from GRU on the northwest portion of the existing Deerhaven Generating Station plant (site). This 102.5 MW generating unit became commercially operational December 17, 2013.

The site and location of the biomass facility is northwest of Gainesville, off of U.S. Highway 441 as shown in Figure 1.1 and Figure 4.1 (see Section 4). Under a 30-year Power Purchase Agreement (PPA), GREC is dispatchable by GRU, and GRU has 100% entitlement to all Available Energy, Delivered Energy and Environmental Energy attributes.

1.2 TRANSMISSION

1.2.1 The Transmission Network

GRU's bulk electric power transmission network (System) consists of a 230 kV radial and a 138 kV loop connecting the following:

- 1) GRU's two generating stations,
- 2) GRU's ten distribution substations,
- 3) One 230 kV and two 138 kV interties with Duke Energy Florida (DEF),
- 4) A 138 kV intertie with Florida Power and Light Company (FPL),
- 5) A radial interconnection with Clay at Farnsworth Substation, and
- 6) A loop-fed interconnection with the City of Alachua at Alachua No. 1 Substation.

Refer to Figure 1.1 for line geographical locations and Figure 1.2 for electrical connectivity and line numbers.

1.2.2 Transmission Lines

The ratings for all of GRU's transmission lines are given in Table 1.1, and Figure 1.2 shows a one-line diagram of GRU's electric system. The criteria for normal and emergency loading are:

- Normal loading: conductor temperature not to exceed 100° C (212° F).
- Emergency 8 hour loading: conductor temperature not to exceed 125° C (257°F).

The present transmission network consists of the following:

<u>Line</u>	<u>Circuit Miles</u>	<u>Conductor</u>
138 kV double circuit	80.08	795 MCM ACSR
138 kV single circuit	16.86	1192 MCM ACSR
138 kV single circuit	20.61	795 MCM ACSR
230 kV single circuit	<u>2.53</u>	795 MCM ACSR
Total	120.08	

GRU participates in Florida Reliability Coordinating Council, Inc. (FRCC) studies that analyze multi-level contingencies. Contingencies are occurrences that depend on changes or uncertain conditions and, as used here, represent various equipment failures that may occur. All single and two circuits-common pole contingencies have no identifiable problems.

1.2.3 State Interconnections

The System is currently interconnected with DEF and FPL at four separate points. The System interconnects with DEF's Archer Substation via a 230 kV transmission line to the System's Parker Road Substation with 224 MVA of transformation capacity from 230 kV to 138 kV. The System also interconnects with DEF's Idylwild Substation with two separate circuits via their 168 MVA 138/69 kV transformer. The System interconnects with FPL via a 138 kV tie between FPL's Hampton Substation and the System's Deerhaven Substation. This interconnection

has a transformation capacity at Bradford Substation of 224 MVA. All listed capacities are based on normal (Rating A) capacities.

The System is planned, operated, and maintained to be in compliance with all FERC, NERC, and FRCC requirements to assure the integrity and reliability of Florida's Bulk Electric System (BES).

1.3 DISTRIBUTION

The System has seven loop-fed and three radial distribution substations connected to the transmission network: Ft. Clarke, Kelly, McMichen, Millhopper, Serenola, Springhill, Sugarfoot, Ironwood, Kanapaha, and Rocky Point substations, respectively. Parker Road is GRU's only 230 kV transmission voltage substation. The locations of these substations are shown on Figure 1.1.

The seven loop fed distribution substations are connected to the 138 kV bulk power transmission network with feeds that prevent the outage of a single transmission line from causing any outages in the distribution system. Ironwood, Kanapaha and Rocky Point are served by a single tap to the 138 kV network which would require distribution switching to restore customer power if the single transmission line tapped experienced an outage. GRU serves its retail customers through a 12.47 kV distribution network. The distribution substations, their present rated transformer capabilities, and the number of circuits for each are listed in Table 1.2. The System has three Power Delivery Substations (PDS) with single 33.6 MVA transformers that are directly radial-tapped to our looped 138 kV system. The Springhill Substation consists of one 33.3 MVA transformer served by a loop fed SEECO pole-mounted switch. Ft. Clarke, Kelly, McMichen, and Serenola substations currently consist of two transformers of nearly equal size, allowing these stations to be loaded under normal conditions to 80 percent of the capabilities shown in Table 1.2. Millhopper and Sugarfoot Substations currently consist of three transformers of equal size allowing both of these substations to be loaded under normal conditions to 100 percent of the capability shown in Table 1.2. One of the

two 22.4 MVA transformers at Ft. Clarke has been repaired with rewinding to a 28.0 MVA rating. This makes the normal rating for this substation 50.4 MVA.

1.4 WHOLESALE ENERGY

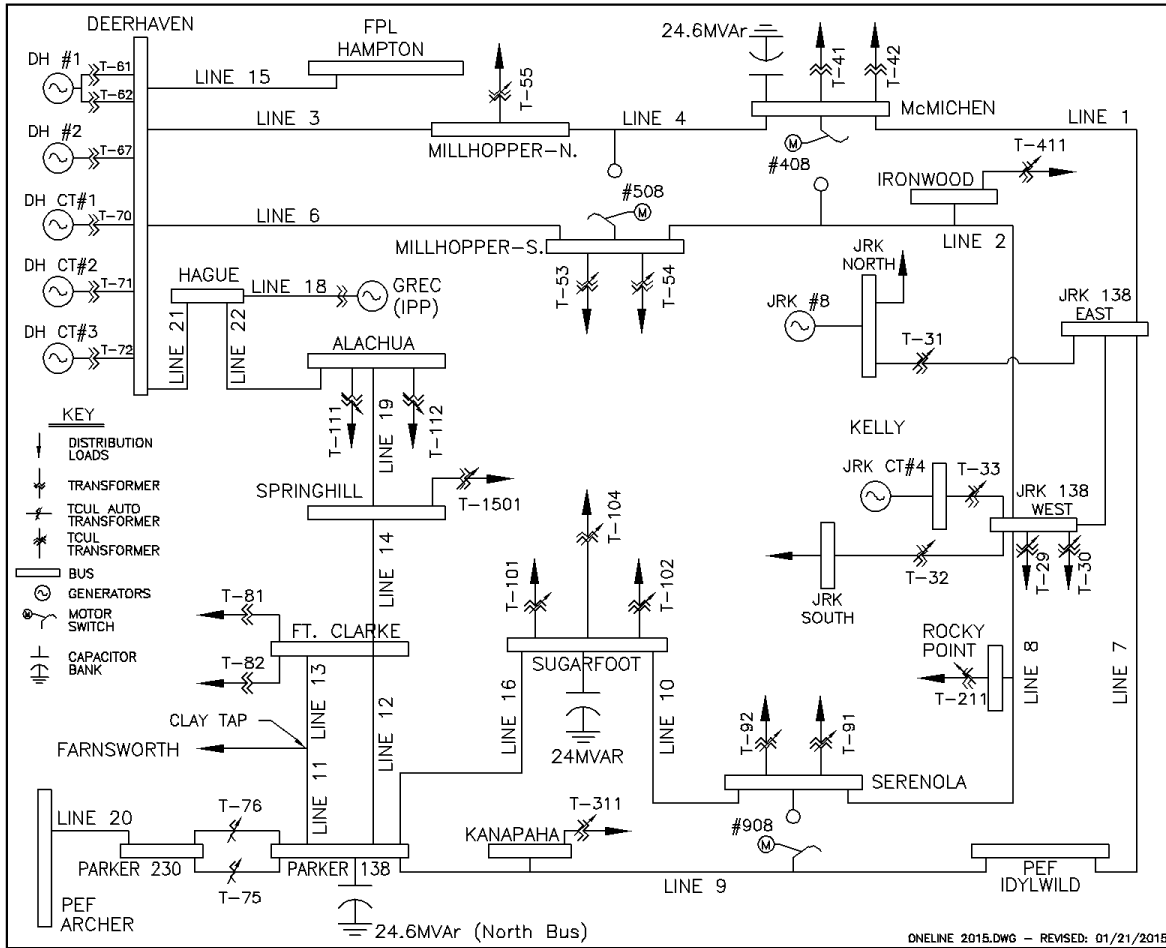
The System provides full-requirements wholesale electric service to the City of Alachua. The Alachua No. 1 Substation is supplied by GRU's looped 138 kV transmission system. The System provides approximately 98% of Alachua's energy requirements with the remainder being supplied by Alachua's generation entitlements from FPL's St. Lucie 2 nuclear unit. Energy supplied to the City of Alachua by this nuclear unit is wheeled over GRU's transmission network, with GRU providing generation backup in the event of an outages of this nuclear unit. The System began serving the City of Alachua in July 1985 and has provided full-requirements wholesale electric service since January 1988. A 10-year extension amendment was approved in 2010 and made effective on January 1, 2011. Wholesale sales to the City of Alachua have been included as native load for purposes of projecting GRU's needs for generating capacity and associated reserve margins through this planning horizon.

1.5 DISTRIBUTED GENERATION

The South Energy Center (SEC), a combined heating and power plant (CHP), began providing services to the UF Health Shands Cancer Hospital in February 2009. SEC houses a 3.5 MW natural gas-fired turbine capable of supplying 100% of the hospital's electric and thermal needs. The South Energy Center provides electricity, chilled water, steam, and the storage and delivery of medical gases to the hospital. The unique design is 75% efficient at primary fuel conversion to useful energy and greatly reduces emissions compared to traditional generation. The facility is designed to provide electric power into the GRU distribution system when its capacity is not totally utilized by the hospital.

UF Health has begun construction of a new cardiovascular/neuro-surgical hospital. The SEC will be expanded (SEC Phase II) to serve this new facility.

Figure 1.2
Gainesville Regional Utilities Electric System One-Line Diagram



Schedule 1
EXISTING GENERATING FACILITIES (as of January 1, 2016)

(1)	(2)	(3)	(4)	(5)	(6)	(7)	(8)	(9)	(10)	(11)	(12)	(13)	(14)	(15)	(16)
Plant Name	Unit No.	Location	Unit Type	Primary Fuel		Alternate Fuel		Alt. Fuel Storage (Days)	Commercial In-Service Month/Year	Expected Retirement Month/Year	Gross Capability		Net Capability		Status
				Type	Trans.	Type	Trans.				Summer MW	Winter MW	Summer MW	Winter MW	
J. R. Kelly		Alachua County									110.0	120.0	108.0	118.0	
	FS08	Sec. 4, T10S, R20E	CA	WH					[4/65 ; 5/01]	2035	37.5	38.0	36.0	37.0	OP
	GT04	(GRU)	CT	NG	PL	DFO	TK		5/01	2051	72.5	82.0	72.0	81.0	OP
Deerhaven		Alachua County									442.5	463.0	413.0	432.0	
	FS02	Secs. 26,27,35	ST	BIT	RR				10/81	2031	255.0	255.0	232.0	232.0	OP
	FS01	T8S, R19E	ST	NG	PL	RFO	TK		8/72	2022	80.0	80.0	75.0	75.0	OP
	GT03	(GRU)	GT	NG	PL	DFO	TK		1/96	2046	71.5	82.0	71.0	81.0	OP
	GT02		GT	NG	PL	DFO	TK		8/76	2026	18.0	23.0	17.5	22.0	OP
	GT01		GT	NG	PL	DFO	TK		7/76	2026	18.0	23.0	17.5	22.0	OP
South Energy Center Distributed Generation	GT1	Alachua County SEC. 10, T10S, R20E	GT	NG		PL			5/09		4.5	4.5	3.5	3.5	OP
System Total													524.5	553.5	

<u>Unit Type</u>	<u>Fuel Type</u>	<u>Transportation Method</u>	<u>Status</u>
CA = Combined Cycle - Steam Part	BIT = Bituminous Coal	PL = Pipe Line	OP = Operational
CT = Combined Cycle - CT Part	DFO = Distillate Fuel Oil	RR = Railroad	
GT = Gas Turbine	NG = Natural Gas	TK = Truck	
ST = Steam Turbine	RFO = Residual Fuel Oil		
	WH = Waste Heat		

Table 1.1

**TRANSMISSION LINE RATINGS
SUMMER POWER FLOW LIMITS**

Line Number	Description	Normal 100°C (MVA)	Limiting Device	Emergency 125°C (MVA)	Limiting Device
1	McMichen - Depot East	236.2	Conductor	282.0	Conductor
2	Millhopper- Depot West	236.2	Conductor	282.0	Conductor
3	Deerhaven - McMichen	236.2	Conductor	282.0	Conductor
6	Deerhaven - Millhopper	236.2	Conductor	282.0	Conductor
7	Depot East - Idylwild	236.2	Conductor	282.0	Conductor
8	Depot West - Serenola	236.2	Conductor	282.0	Conductor
9	Idylwild - Parker	236.2	Conductor	236.2	Conductor
10	Serenola - Sugarfoot	236.2	Conductor	282.0	Conductor
11	Parker - Clay Tap	143.6	Conductor	282.0	Conductor
12	Parker - Ft. Clarke	236.2	Conductor	282.0	Conductor
13	Clay Tap - Ft. Clarke	143.6	Conductor	186.0	Conductor
14	Ft. Clarke - Springhill	287.3	Switch	356.0	Conductor
15	Deerhaven - Hampton	224.0 ¹	Transformers	270.0	Transformers
16	Sugarfoot - Parker	236.2	Conductor	282.0	Conductor
17	Clay Tap – Farnsworth	236.2	Conductor	282.0	Conductor
19	Springhill - Alachua	300.0	Conductor	356.0	Conductor
20	Parker-Archer(T75,T76)	224.0	Transformers ³	300.0	Transformers ³
21	Deerhaven – GREC	287.3	Switch	356.0	Conductor
22	Alachua - Deerhaven	300.0	Conductor	356.0	Conductor
xx	Idylwild – PEF	168.0 ²	Transformer	168.0 ²	Transformer

- 1) These two transformers are located at the FPL Bradford Substation and are the limiting elements in the Normal and Emergency ratings for this intertie.
- 2) This transformer, along with the entire Idylwild Substation, is owned and maintained by PEF.
- 3) Transformers T75 & T76 normal limits are based on a 65° C temperature rise rating, and the emergency rating is 140% loading for two hours.

Assumptions:

- 100 °C for normal conductor operation
- 125 °C for emergency 8 hour conductor operation
- 40 °C ambient air temperature
- 2 ft/sec wind speed

Table 1.2

SUBSTATION TRANSFORMATION AND CIRCUITS

Distribution Substation	Normal Transformer Rated Capability	Current Number of Circuits
Ft. Clarke	50.4 MVA	4
J.R. Kelly ²	201.6 MVA	22
McMichen	44.8 MVA	6
Millhopper	100.8 MVA	10
Serenola	67.2 MVA	8
Springhill	33.3 MVA	2
Sugarfoot	100.8 MVA	9
Ironwood	33.6 MVA	3
Kanapaha	33.6 MVA	3
Rocky Point	33.6 MVA	3

Transmission Substation	Normal Transformer Rated Capability	Number of Circuits
Parker	224 MVA	5
Deerhaven	No transformations- All 138 kV circuits	4

2 J.R. Kelly is a generating station as well as 2 distribution substations. One substation has 14 distribution feeders directly fed from the 2- 12.47 kV generator buses with connection to the 138 kV loop by 2- 56 MVA transformers. The other substation (Kelly West) has 8 distribution feeders fed from one 56 MVA transformer and one 33.6 MVA transformer.

2. FORECAST OF ELECTRIC ENERGY AND DEMAND REQUIREMENTS

Section 2 includes documentation of GRU's forecast of number of customers, energy sales and seasonal peak demands; a forecast of energy sources and fuel requirements; and an overview of GRU's involvement in demand-side management programs.

The accompanying tables provide historical and forecast information for calendar years 2006-2025. Energy sales and number of customers are tabulated in Schedules 2.1, 2.2 and 2.3. Schedule 3.1 gives summer peak demand for the base case forecast by reporting category. Schedule 3.2 presents winter peak demand for the base case forecast by reporting category. Schedule 3.3 presents net energy for load for the base case forecast by reporting category. Short-term monthly load data is presented in Schedule 4. Projected sources of energy for the System, by method of generation, are shown in Schedule 6.1. The percentage breakdowns of energy sources shown in Schedule 6.1 are given in Schedule 6.2. The quantities of fuel expected to be used to generate the energy requirements shown in Schedule 6.1 are given by fuel type in Schedule 5.

2.1 FORECAST ASSUMPTIONS AND DATA SOURCES

- (1) All regression analyses were based on annual data. Historical data was compiled for calendar years 1970 through 2015. System data, such as net energy for load, seasonal peak demands, customer counts and energy sales, was obtained from GRU records and sources.
- (2) Estimates and projections of Alachua County population were based on population data published by The Bureau of Economic and Business Research at the University of Florida. Population projections were based on BEBR Bulletin 171 (April 2015), and Estimates of Population by County and City in Florida: April 1, 2015 (12/23/2015).
- (3) Historical weather data was used to fit regression models. The forecast assumes normal weather conditions. Normal heating degree

days and cooling degree days equal the mean of data reported to NOAA by the Gainesville Municipal Airport station from 1984-2015.

- (4) All income and price figures were adjusted for inflation, and indexed to a base year of 2015, using the U.S. Consumer Price Index for All Urban Consumers from the U.S. Department of Labor, Bureau of Labor Statistics. Inflation is assumed to average approximately 2.25% per year for each year of the forecast.
- (5) The U.S. Department of Commerce, Bureau of Economic Analysis, provided historical estimates of total personal income. Forecast values of total personal income were obtained from Global Insight.
- (6) Historical estimates of household size were obtained from BEBR Bulletin 173 (December 2015), and projections were estimated from a logarithmic trend analysis of historical estimates.
- (7) The U.S. Department of Labor, Bureau of Labor Statistics, provided historical estimates of non-farm employment. Forecast values of non-farm employment were obtained from Global Insight.
- (8) Retail electric prices for each billing rate category were assumed to increase at a nominal rate of approximately 2.7% per year. Prices are expressed in dollars per 1,000 kWh.
- (9) Estimates of energy and demand reductions resulting from planned demand-side management programs (DSM) were subtracted from all retail forecasts. GRU has been involved in formal conservation efforts since 1980. The forecast reduces energy sales and seasonal demands by the projected conservation impacts, net of cumulative impacts from 1980-2015. GRU's involvement with DSM is described in more detail later in this section.
- (10) Sales to The City of Alachua were assumed to continue through the duration of this forecast. The agreement to serve Alachua is in effect through December 2020. Alachua's ownership of FPL nuclear capacity supplied approximately 2.2% of its annual energy requirements in 2015.
- (11) GRU will supply 10 MW of base load energy to the City of Winter Park from 2015 through 2018.

2.2 FORECASTS OF NUMBER OF CUSTOMERS, ENERGY SALES AND SEASONAL PEAK DEMANDS

Number of customers, energy sales and seasonal peak demands were forecast from 2016 through 2025. Separate energy sales forecasts were developed for each of the following customer segments: residential, general service non-demand, general service demand, large power, outdoor lighting, sales to the City of Alachua, and sales to the City of Winter Park. Separate forecasts of number of customers were developed for residential, general service non-demand, general service demand and large power retail rate classifications. The basis for these independent forecasts originated with the development of least-squares regression models. All modeling was performed in-house using the Statistical Analysis System (SAS)³. The following text describes the regression equations utilized to forecast energy sales and number of customers.

2.2.1 Residential Sector

The equation of the model developed to project residential average annual energy use (kilowatt-hours per year) specifies average use as a function of residential price of electricity, heating degree days, and an indicator variable representing a recent downturn in usage. The form of this equation is as follows:

$$RESAVUSE = 15070 - 42.47 (RESPR15) + 0.815 (HDD) - 929.4 (EE)$$

Where:

RESAVUSE	=	Average Annual Residential Energy Use per Customer
RESPR15	=	Residential Price, Dollars per 1000 kWh
HDD	=	Annual Heating Degree Days
EE	=	Energy Efficiency Indicator Variable

³ SAS is the registered trademark of SAS Institute, Inc., Cary, NC.

Adjusted R² = 0.9422
 DF (error) = 19 (period of study, 1993-2015)
 t - statistics:
 Intercept = 35.6
 RESPR14 = -13.2
 HDD = 4.22
 EE = -6.90

Projections of the average annual number of residential customers were developed from a linear regression model stating the number of customers as a function of Alachua County population, the number of persons per household, and the historical series of customers transferred from Clay Electric Cooperative, Inc. to GRU. The residential customer model specifications are:

$$RESCUS = 170246 + 304.1 (POP) - 72903 (HHSIZE) + 1.38 (CLYRCUS)$$

Where:

RESCUS = Number of Residential Customers
 POP = Alachua County Population (thousands)
 HHSIZE = Number of Persons per Household
 CLYRCUS = Clay Residential Customer Transfers

Adjusted R² = 0.9960
 DF (error) = 19 (period of study, 1993-2015)
 t - statistics:
 Intercept = 4.38
 POP = 15.9
 HHSIZE = -4.76
 CLYRCUS = 3.16

The product of forecasted values of average use and number of customers yielded the projected energy sales for the residential sector.

2.2.2 General Service Non-Demand Sector

The general service non-demand (GSN) customer class includes non-residential customers with maximum billing demands less than 50 kilowatts (kW). In 1990, GRU began offering GSN customers the option to elect the General Service Demand (GSD) rate classification. This option offers potential benefit to GSN customers that use high amounts of energy relative to their billing demands. As a result, a significant proportion of current GSD customers have voluntarily elected this rate category. The forecast assumes that additional GSN customers will opt into the GSD classification, but at a more modest pace than has been observed historically. A regression model was developed to project average annual energy use by GSN customers. The model includes as independent variables, the cumulative number of optional demand customers, per capita income, and cooling degree days. The specifications of this model are as follows:

$$GSNAVUSE = 14.12 - 0.021 (OPTDCUS) + 0.0003 (MSAPCY15) + 0.0016 (CDD)$$

Where:

GSNAVUSE = Average Annual Energy Usage per GSN Customer

OPTDCUS = Optional GSD Customers

MSAPCY15 = Per Capita Income

CDD = Annual Cooling Degree Days

Adjusted R² = 0.9695

DF (error) = 19 (period of study, 1993-2015)

t - statistics:

Intercept	=	3.92
OPTDCUS	=	-14.3
MSAPCY14	=	3.35
CDD	=	2.46

The number of general service non-demand customers was projected using an equation specifying customers as a function of Alachua County population, the cumulative number of optional demand customers, and the addition of a group of individually metered cable amplifiers that were previously bulk metered. The specifications of the general service non-demand customer model are as follows:

$$GSNCUS = -3604 + 52.0 (POP) - 0.98 (OPTDCUS) + 1.07 (COXTRAN)$$

Where:

GSNCUS	=	Number of General Service Non-Demand Customers
POP	=	Alachua County Population (thousands)
OPTDCUS	=	Optional GSD Customers
COXTRAN	=	Cable TV Meters

Adjusted R ²	=	0.9937
DF (error)	=	19 (period of study, 1993-2015)

t - statistics:

Intercept	=	-5.08
POP	=	14.2
OPTDCUS	=	-1.84
COXTRAN	=	4.76

Forecasted energy sales to general service non-demand customers were derived from the product of projected number of customers and the projected average annual use per customer.

2.2.3 General Service Demand Sector

The general service demand customer class includes non-residential customers with average billing demands generally of at least 50 kW but less than 1,000 kW. Average annual energy use per customer was projected using an equation specifying average use as a function of the cumulative number of optional demand customers, non-farm employment, cooling degree days, and an indicator variable representing a change in eligibility criteria for the large power rate category. Average energy use projections for general service demand customers result from the following model:

$$GSDAVUSE = 402.7 - 0.23 (OPTDCUS) + 0.74 (MSA_NF) + 0.029 (CDD) + 35.1 (POLICY)$$

Where:

GSDAVUSE = Average Annual Energy Use by GSD Customers

OPTDCUS = Optional GSD Customers

MSA_NF = Non-Farm Employment

CDD = Cooling Degree Days

POLICY = Eligibility Indicator Variable

Adjusted R² = 0.9331

DF (error) = 18 (period of study, 1993-2015)

t - statistics:

Intercept = 8.24

OPTDCUS = -12.1

MSA_NF = 2.20

CDD = 2.97

POLICY = 5.28

The annual average number of customers was projected using a regression model that includes Alachua County population. The specifications of the general service demand customer model are as follows:

$$GSDCUS = -1240.9 + 9.94 (POP)$$

Where:

GSDCUS = Number of General Service Demand Customers

POP = Alachua County Population (thousands)

Adjusted R² = 0.9728

DF (error) = 21 (period of study, 1993-2015)

t - statistics:

Intercept = -15.4

POP = 28.1

The forecast of energy sales to general service demand customers was the resultant product of projected number of customers and projected average annual use per customer.

2.2.4 Large Power Sector

The large power customer class currently includes twelve customers that maintain an average monthly billing demand of at least 1,000 kW. Analyses of average annual energy use were based on historical observations from 1993 through 2015. The model developed to project average use by large power customers includes per capita income, and an indicator variable representing a policy change defining eligibility for this rate category. Energy use per customer has been observed to increase slightly over time, presumably due to the periodic expansion or increased utilization of existing facilities. This growth is measured in the model by per capita income. The specifications of the large power average use model are as follows:

$$LPAVUSE = 8361.4 + 0.057 (MSAPCY15) + 2966.7 (Policy)$$

Where:

LPAVUSE = Average Annual Energy Consumption (MWh per Year)

MSAPCY15 = Gainesville MSA Per Capita Income

POLICY	=	Eligibility Indicator Variable
Adjusted R ²	=	0.9079
DF (error)	=	20 (period of study, 1993-2015)
t - statistics:		
INTERCEPT	=	5.73
MSAPCY15	=	1.34
Policy	=	11.2

The number of customers in the large power sector is expected to increase from 12 to 13 in 2018 with the addition of a new hospital. The forecast of energy sales to the large power sector was derived from the product of projected average use per customer and the projected number of large power customers.

2.2.5 Outdoor Lighting Sector

The outdoor lighting sector consists of streetlight, traffic light, and rental light accounts. Outdoor lighting energy sales account for approximately 1.3% of total energy sales. Outdoor lighting energy sales were held constant at current levels in this forecast.

2.2.6 Wholesale Energy Sales

The System provides full requirements wholesale electric service to the City of Alachua. Approximately 2.2% of Alachua's 2015 energy requirements were met through generation entitlements of nuclear generating units operated by FPL. The agreement to provide wholesale power to Alachua is in effect through December 2020. Energy sales to the City of Alachua are considered part of the System's native load for facilities planning through the forecast horizon.

Energy Sales to Alachua were estimated using a model including Alachua County population, heating degree days, and cooling degree days as the

independent variables. The model used to develop projections of sales to the City of Alachua is of the following form:

$$ALAMWh = -261683 + 1383 (POP) + 12.0 (HDD) + 8.4 (CDD)$$

Where:

ALAMWh = Energy Sales to the City of Alachua (MWh)

POP = Alachua County Population (000's)

HDD = Heating Degree Days

CDD = Cooling Degree Days

Adjusted R² = 0.9798

DF (error) = 18 (period of study, 1994-2015)

t - statistics:

Intercept = -14.3

POP = 28.4

HDD = 2.8

CDD = 1.6

GRU is also selling base load energy to the City of Winter Park from 2015 through 2018. The agreement calls for Winter Park to purchase 10 MW for all but 500 hours each year, when they may purchase as little as 5 MW.

2.2.7 Total System Sales, Net Energy for Load, Seasonal Peak Demands and Conservation Impacts

The forecast of total system energy sales was derived by summing energy sales projections for each customer class; residential, general service non-demand, general service demand, large power, outdoor lighting, and sales for resale. Net energy for load (NEL) was then forecast by applying a delivered efficiency factor for the System to total energy sales. The projected delivered efficiency factor used in this forecast is 0.9700. Historical delivered efficiencies were examined from the past 25 years to make this determination. The impact of energy savings from conservation programs was accounted for in energy sales to each customer class, prior to calculating NEL.

The forecasts of seasonal peak demands were derived from forecasts of annual NEL. Winter peak demands are expected to occur in January of each year, and summer peak demands are expected to occur in August. The average ratio of the most recent 25 years' monthly NEL for January and August, as a portion of annual NEL, was applied to projected annual NEL to obtain estimates of January and August NEL over the forecast horizon. The medians of the past 25 years' load factors for January and August were applied to January and August NEL projections, yielding seasonal peak demand projections. Forecast seasonal peak demands include the net impacts from planned conservation programs.

2.3 ENERGY SOURCES AND FUEL REQUIREMENTS

2.3.1 Fuels Used by System

Presently, the System is capable of using coal, natural gas, residual oil, and distillate oil to satisfy its fuel requirements. Since the completion of the Deerhaven 2 coal-fired unit, the System has relied upon coal to fulfill much of its fuel requirements. Because the System participates in interchange sales and purchases, and because fuel prices constantly change, actual consumption of these fuels will likely differ from the base case requirements indicated in Schedule 5.

2.3.2 Purchased Power Agreements

2.3.2.1 G2 Energy Baseline Landfill Gas. GRU entered a 15-year contract with G2 Energy Marion, LLC and began receiving 3 MW of landfill gas fueled capacity in January 2009. G2 completed a capacity expansion of 0.8 MW in May 2010, bringing net output to 3.8 MW. G2 is located within DEF's distribution system, and GRU receives approximately 3.7 MW net of distribution and transmission losses.

2.3.2.2 Gainesville Renewable Energy Center. The Gainesville Renewable Energy Center (GREC) is a 102.5 MW biomass-fired power production facility. GRU entered a 30-year agreement with GREC to purchase all of the output of this unit and anticipates reselling a portion of the output over time. The GREC generating unit began commercial operation on December 17, 2013.

2.3.2.3 Solar Feed-In Tariff. In March of 2009, GRU became the first utility in the United States to offer a European-style solar feed-in tariff (FIT). Under this program, GRU agrees to purchase 100% of the solar power produced from any qualified private generator at a fixed rate for a contract term of 20 years. GRU's FIT costs are recovered through fuel adjustment charges, and have been limited to 4 MW of installed capacity per year. Through the end of 2013, approximately 18.6 MW were constructed under the Solar FIT program. The program was originally scheduled to add capacity through 2016, although no additions were allocated after 2013.

2.4 DEMAND-SIDE MANAGEMENT

2.4.1 Demand-Side Management Programs

Demand and energy forecasts outlined in this Ten Year Site Plan include impacts from GRU's Demand-Side Management (DSM) programs. The System forecast reflects the incremental impacts of DSM measures, net of cumulative impacts from 1980 through 2015.

During 2014 budget deliberations, GRU management and the Gainesville City Commission agreed to eliminate the majority of programs offering financial incentives in an effort to cut costs and keep prices down for customers. The effectiveness of historical measures is reflected in usage data. Over the past 10 years, residential usage per customer has declined 1.6% per year and non-residential usage per customer has declined 1.3% per year.

DSM direct services currently available to the System's residential customers include energy and water surveys, allowances for whole house energy efficiency improvements under the Low-income Energy Efficiency Program Plus (LEEP^{plus}), and natural gas rebates for new construction and conversions in existing homes for water heating, central heating, clothes drying and cooking appliances. An on-line energy survey is available that allows customers to perform a self-survey using their actual usage data.

Energy and water surveys are available at no cost to the System's non-residential customers. Rebates for natural gas water heating are also available to GRU's non-residential customers.

The System continues to offer standardized interconnection procedures and net meter billing for both residential and non-residential customers who install photovoltaic solar systems on their homes or businesses.

GRU has also produced numerous factsheets, publications, and videos which are available at no charge to customers and which assist them in making informed decisions affecting their consumption.

2.4.2 Demand-Side Management Methodology and Results

Energy and demand savings resulting from DSM program implementation have been estimated using a combination of techniques, including engineering calculations, pre and post billing analysis, and measurement and verification for specific measures. Known interactions between measures and programs were accounted for where possible. From 1980 through 2015, GRU estimates that utility sponsored DSM programs reduced energy sales by 216 GWh and lowered summer peak demand by 43 MW. In the forecast period, DSM related savings are projected to be very small relative to system load due to the scaling back of programs in this and future year's budgets.

2.4.3 Supply Side Programs

The System has undertaken several initiatives to improve the adequacy and reliability of the transmission and distribution systems. GRU purchases overhead and underground transformers that exceed the efficiency specified by the NEMA TP-1 Standard. GRU has improved the feeder system by reconductoring feeders from 4/0 Copper to 795 MCM aluminum overhead conductor. In specific areas the feeders have been installed underground using 1000 MCM underground cable. GRU adds capacitors on its distribution feeders where necessary to support a high system-wide power factor. Starting in 2012 to present day, GRU has conducted a

Cable Restoration Project, where direct-buried underground primary cables installed prior to 1980 are injected with a solution that restores the insulation of the cable and extends the cable's useful life. Efforts have been made to increase segmentation of feeders by adding more fusing stages, which reduces the number of customers behind any one device. This reduces the number of customers affected by any one outaged device. Recent efforts in distribution automation have included adding reclosers and automated switches, which decreases outage times by enabling GRU's system operators to remotely switch customers to adjacent feeders when outages occur.

2.5 FUEL PRICE FORECAST ASSUMPTIONS

GRU relies on coal and natural gas as primary fuels used to meet its generation needs. Both heavy and light fuel oils are used as backup for natural gas-fired generation, although in practice they are seldom used. Since the operation of CR3 was discontinued, nuclear fuel is no longer part of the System's fuel mix. GRU consults a number of reputable sources such as EIA, PIRA, Argus Coal Daily, Platts Gas Daily, CoalDesk, and the NYMEX futures market when assessing expected future commodity fuel prices. Costs associated with transporting coal and natural gas to GRU's generating stations are specific to arrangements with transportation entities. Coal is transported to GRU by rail, and natural gas is transported over the Florida Gas Transmission Company (FGT) pipeline system.

2.5.1 Coal

Coal was used to generate approximately 32.7% of the energy produced by the system in calendar year 2015. Thus far, GRU has purchased low sulfur and medium sulfur, high Btu eastern coal for use in Deerhaven Unit 2. In 2009, Deerhaven Unit 2 was retrofitted with an air quality control system, which was added as a means of complying with new environmental regulations. Following this retrofit, Deerhaven Unit 2 is able to utilize coals with up to approximately 1.7% sulfur

content. Given the impact of impending environmental regulations on coal generating units, reduced demand, and depressed prompt prices for Central Appalachian (CAPP) coal, GRU has continued to purchase relatively high quality Eastern coals. Rates available under GRU's rail transport contract also provide an incentive for GRU to purchase and transport its coal supplies on the East Coast. The forecast of coal prices is based on a blend of low sulfur and medium sulfur CAPP coal. GRU's forecast of coal pricing assumes that 2016 and 2017 coal procurement will primarily consist of high quality CAPP coals. GRU does not expect the favorable economics of rail transported CAPP coal to be diminished in the near term. Although not included in its forecast pricing, GRU continues to evaluate the economics of Illinois Basin and Northern Appalachian (NAPP) coal supply. Pricing of these coals was sourced from Argus Coal Daily publications. GRU has a contract with CSXT for delivery of coal to the Deerhaven plant site through 2019. Rates for coal transportation are based on the terms of GRU's existing rail contract and historical rates of escalation under the contract. A step increase in the delivered coal price is expected in 2020 resulting from higher transportation costs.

In addition to the commodity price of coal and rail transport expense, GRU's delivered price of coal also incorporates the cost of environmental commodities (pebble lime and urea) required for combustion of coal in compliance with environmental regulations.

2.5.2 Natural Gas

GRU procures natural gas for power generation and for distribution by a Local Distribution Company (LDC). In 2015, GRU purchased approximately 9.9 million MMBtu for use by both systems. GRU power plants used 80% of the total purchased for GRU during 2015, while the LDC used the remaining 20%. Natural gas was used to produce approximately 41.5% of the energy produced by GRU's electric generating units during calendar year 2015.

GRU purchases natural gas via arrangements with producers and marketers connected with the FGT interstate pipeline. GRU's delivered cost of natural gas includes the commodity component, FGT's fuel charge, FGT's usage (transportation) charge, FGT's reservation (capacity) charge, and basis adjustments. Commodity fuel cost projections were based on closing NYMEX natural gas futures prices for the Henry Hub.

Schedule 2.1
History and Forecast of Energy Consumption and
Number of Customers by Customer Class

(1)	(2)	(3)	(4)	(5)	(6)	(7)	(8)	(9)
Year	Service Area Population	Persons per Household	GWh	RESIDENTIAL		COMMERCIAL *		
				Average Number of Customers	Average kWh per Customer	GWh	Average Number of Customers	Average kWh per Customer
2006	184,859	2.33	877	79,407	11,044	746	9,565	77,993
2007	188,704	2.33	878	81,128	10,822	778	9,793	79,445
2008	191,198	2.32	820	82,271	9,967	773	10,508	73,563
2009	191,809	2.32	808	82,605	9,781	778	10,428	74,607
2010	190,177	2.32	851	81,973	10,381	780	10,355	75,326
2011	189,964	2.32	805	81,881	9,831	772	10,373	74,424
2012	190,537	2.32	757	82,128	9,217	750	10,415	72,012
2013	191,720	2.32	753	82,638	9,112	757	10,484	72,205
2014	193,889	2.33	773	83,214	9,289	760	10,629	71,502
2015	196,450	2.34	799	83,953	9,517	784	10,663	73,525
2016	198,269	2.34	808	84,730	9,536	783	10,757	72,789
2017	200,069	2.34	813	85,500	9,509	791	10,851	72,897
2018	201,851	2.34	817	86,261	9,471	799	10,944	73,005
2019	203,615	2.34	821	87,015	9,435	807	11,038	73,114
2020	205,360	2.34	826	87,761	9,412	815	11,131	73,222
2021	207,087	2.34	830	88,499	9,379	822	11,223	73,241
2022	208,796	2.34	834	89,229	9,347	830	11,316	73,351
2023	210,486	2.34	838	89,951	9,316	838	11,408	73,460
2024	212,158	2.34	842	90,666	9,287	846	11,499	73,569
2025	213,811	2.34	847	91,372	9,270	853	11,591	73,593

* Commercial includes General Service Non-Demand and General Service Demand Rate Classes

**Schedule 2.2
History and Forecast of Energy Consumption and
Number of Customers by Customer Class**

(1)	(2)	(3)	(4)	(5)	(6)	(7)	(8)
Year	<u>GWh</u>	<u>Average Number of Customers</u>	<u>Average MWh per Customer</u>	<u>Railroads and Railways GWh</u>	<u>Street and Highway Lighting GWh</u>	<u>Other Sales to Public Authorities GWh</u>	<u>Total Sales to Ultimate Consumers GWh</u>
	INDUSTRIAL **						
2006	200	20	10,084	0	25	0	1,848
2007	196	18	10,740	0	26	0	1,878
2008	184	16	11,441	0	26	0	1,803
2009	168	12	13,808	0	26	0	1,780
2010	168	12	13,622	0	25	0	1,824
2011	164	11	14,578	0	29	0	1,770
2012	168	13	13,440	0	25	0	1,700
2013	159	12	13,342	0	25	0	1,694
2014	151	12	12,583	0	25	0	1,709
2015	157	12	12,904	0	25	0	1,765
2016	155	12	12,917	0	24	0	1,770
2017	156	12	13,000	0	24	0	1,784
2018	169	13	13,000	0	24	0	1,809
2019	170	13	13,077	0	24	0	1,822
2020	171	13	13,154	0	24	0	1,836
2021	171	13	13,154	0	24	0	1,847
2022	172	13	13,231	0	24	0	1,860
2023	172	13	13,231	0	24	0	1,872
2024	173	13	13,308	0	24	0	1,885
2025	174	13	13,385	0	24	0	1,898

** Industrial includes Large Power Rate Class

Schedule 2.3
History and Forecast of Energy Consumption and
Number of Customers by Customer Class

(1)	(2)	(3)	(4)	(5)	(6)
<u>Year</u>	Sales For Resale <u>GWh</u>	Utility Use and Losses <u>GWh</u>	Net Energy for Load <u>GWh</u>	Other <u>Customers</u>	Total Number of <u>Customers</u>
2006	174	77	2,099	0	88,992
2007	186	58	2,122	0	90,939
2008	196	80	2,079	0	92,795
2009	203	99	2,082	0	93,045
2010	217	98	2,139	0	92,340
2011	201	45	2,016	0	92,265
2012	195	57	1,952	0	92,556
2013	113	46	1,853	0	93,134
2014	121	45	1,875	0	93,855
2015	214	45	2,024	0	94,628
2016	214	59	2,043	0	95,499
2017	218	58	2,060	0	96,363
2018	221	61	2,091	0	97,219
2019	140	61	2,023	0	98,066
2020	143	60	2,039	0	98,904
2021	146	62	2,055	0	99,735
2022	150	62	2,072	0	100,558
2023	153	63	2,088	0	101,372
2024	156	63	2,104	0	102,178
2025	159	63	2,120	0	102,976

Schedule 3.1
History and Forecast of Summer Peak Demand - MW

(1)	(2)	(3)	(4)	(5)	(6)	(7)	(8)	(9)	(10)
<u>Year</u>	<u>Total</u>	<u>Wholesale</u>	<u>Retail</u>	<u>Interruptible</u>	Residential	Residential	Comm./Ind.	Comm./Ind.	<u>Net Firm Demand</u>
					<u>Load</u>	<u>Conservation</u>	<u>Load</u>	<u>Conservation</u>	
2006	488	39	425	0	0	15	0	9	464
2007	508	44	437	0	0	17	0	10	481
2008	487	43	414	0	0	19	0	11	457
2009	498	46	419	0	0	21	0	12	465
2010	505	48	422	0	0	22	0	13	470
2011	484	46	399	0	0	24	0	15	445
2012	456	43	372	0	0	26	0	15	415
2013	459	25	391	0	0	27	0	16	416
2014	452	26	383	0	0	27	0	16	409
2015	464	37	384	0	0	27	0	16	421
2016	473	38	392	0	0	27	0	16	430
2017	477	39	395	0	0	27	0	16	434
2018	483	40	400	0	0	27	0	16	440
2019	477	30	404	0	0	27	0	16	434
2020	480	31	406	0	0	27	0	16	437
2021	484	32	409	0	0	27	0	16	441
2022	487	33	411	0	0	27	0	16	444
2023	491	33	415	0	0	27	0	16	448
2024	494	34	417	0	0	27	0	16	451
2025	498	35	420	0	0	27	0	16	455

Schedule 3.2
History and Forecast of Winter Peak Demand - MW

(1)	(2)	(3)	(4)	(5)	(6)	(7)	(8)	(9)	(10)
<u>Winter</u>	<u>Total</u>	<u>Wholesale</u>	<u>Retail</u>	<u>Interruptible</u>	Residential Load <u>Management</u>	Residential Conservation <u>Management</u>	Comm./Ind. Load <u>Management</u>	Comm./Ind. Conservation <u>Management</u>	<u>Net Firm Demand</u>
2006 / 2007	413	38	324	0	0	43	0	8	362
2007 / 2008	416	40	321	0	0	45	0	10	361
2008 / 2009	478	50	371	0	0	46	0	11	421
2009 / 2010	522	55	409	0	0	47	0	11	464
2010 / 2011	470	51	358	0	0	49	0	12	409
2011 / 2012	434	47	324	0	0	50	0	13	371
2012 / 2013	412	22	326	0	0	51	0	13	348
2013 / 2014	412	23	325	0	0	51	0	13	348
2014 / 2015	424	36	324	0	0	51	0	13	360
2015 / 2016	412	35	313	0	0	51	0	13	348
2016 / 2017	424	38	322	0	0	51	0	13	360
2017 / 2018	430	38	328	0	0	51	0	13	366
2018 / 2019	423	29	330	0	0	51	0	13	359
2019 / 2020	426	30	332	0	0	51	0	13	362
2020 / 2021	429	30	335	0	0	51	0	13	365
2021 / 2022	431	31	336	0	0	51	0	13	367
2022 / 2023	434	32	338	0	0	51	0	13	370
2023 / 2024	437	32	341	0	0	51	0	13	373
2024 / 2025	440	33	343	0	0	51	0	13	376
2025 / 2026	443	34	345	0	0	51	0	13	379

Schedule 3.3
History and Forecast of Net Energy for Load - GWH

(1)	(2)	(3)	(4)	(5)	(6)	(7)	(8)	(9)
<u>Year</u>	<u>Total</u>	<u>Residential Conservation</u>	<u>Comm./Ind. Conservation</u>	<u>Retail</u>	<u>Wholesale</u>	<u>Utility Use & Losses</u>	<u>Net Energy for Load</u>	<u>Load Factor %</u>
2006	2,215	90	26	1,848	174	77	2,099	52%
2007	2,253	99	32	1,878	186	58	2,122	50%
2008	2,230	110	41	1,803	196	80	2,079	52%
2009	2,248	117	49	1,780	203	99	2,082	51%
2010	2,319	124	56	1,824	217	98	2,139	52%
2011	2,212	133	63	1,770	201	45	2,016	52%
2012	2,162	142	68	1,700	195	57	1,952	54%
2013	2,069	146	70	1,694	113	46	1,853	51%
2014	2,091	146	70	1,709	121	45	1,875	52%
2015	2,240	146	70	1,765	214	45	2,024	55%
2016	2,260	147	70	1,770	214	59	2,043	54%
2017	2,277	147	70	1,784	218	58	2,060	54%
2018	2,308	147	70	1,809	221	61	2,091	54%
2019	2,240	147	70	1,822	140	61	2,023	53%
2020	2,257	148	70	1,836	143	60	2,039	53%
2021	2,273	148	70	1,847	146	62	2,055	53%
2022	2,290	148	70	1,860	150	62	2,072	53%
2023	2,306	148	70	1,872	153	63	2,088	53%
2024	2,323	149	70	1,885	156	63	2,104	53%
2025	2,339	149	70	1,898	159	63	2,120	53%

Schedule 4
Previous Year and 2-Year Forecast of Peak Demand and Net Energy for Load

(1)	(2)	(3)	(4)	(5)	(6)	(7)
	ACTUAL		FORECAST			
	2015		2016		2017	
	Peak Demand	NEL	Peak Demand	NEL	Peak Demand	NEL
<u>Month</u>	<u>(MW)</u>	<u>(GWh)</u>	<u>(MW)</u>	<u>(GWh)</u>	<u>(MW)</u>	<u>(GWh)</u>
JAN	320	154	348	159	360	160
FEB	360	141	340	139	332	140
MAR	265	146	291	146	294	147
APR	310	157	324	150	327	151
MAY	374	178	384	179	387	180
JUN	421	194	418	193	422	195
JUL	411	203	424	208	428	210
AUG	401	202	430	211	434	213
SEP	378	186	405	193	408	195
OCT	342	161	349	166	352	167
NOV	324	153	298	144	300	146
DEC	269	149	314	155	316	156

**Schedule 5
FUEL REQUIREMENTS
As of January 1, 2016**

(1)	(2)	(3)	(4)	(5)	(6)	(7)	(8)	(9)	(10)	(11)	(12)	(13)	(14)	(15)	
				ACTUAL											
FUEL REQUIREMENTS				UNITS	2015	2016	2017	2018	2019	2020	2021	2022	2023	2024	2025
(1)	NUCLEAR		TRILLION BTU	0	0	0	0	0	0	0	0	0	0	0	
(2)	COAL		1000 TON	307	364	472	465	506	461	371	433	482	478	489	
RESIDUAL															
(3)	STEAM		1000 BBL	2	0	0	0	0	0	0	0	0	0	0	
(4)	CC		1000 BBL	0	0	0	0	0	0	0	0	0	0	0	
(5)	CT		1000 BBL	0	0	0	0	0	0	0	0	0	0	0	
(6)	TOTAL:		1000 BBL	2	0	0	0	0	0	0	0	0	0	0	
DISTILLATE															
(7)	STEAM		1000 BBL	1	0	0	0	0	0	0	0	0	0	0	
(8)	CC		1000 BBL	0	0	0	0	0	0	0	0	0	0	0	
(9)	CT		1000 BBL	1	0	0	0	0	0	0	0	0	0	0	
(10)	TOTAL:		1000 BBL	2	0	0	0	0	0	0	0	0	0	0	
NATURAL GAS															
(11)	STEAM		1000 MCF	2756	1026	1061	1031	819	691	1031	771	0	0	0	
(12)	CC		1000 MCF	4443	6210	5779	7019	5289	6786	7769	7262	7096	7526	7421	
(13)	CT		1000 MCF	495	59	13	19	9	4	22	37	105	112	314	
(14)	TOTAL:		1000 MCF	7694	7295	6853	8069	6117	7481	8822	8070	7201	7638	7735	
(15)	OTHER (specify)		TRILLION BTU	0	0	0	0	0	0	0	0	0	0	0	

**Schedule 6.1
ENERGY SOURCES (GWH)
As of January 1, 2016**

(1)	(2)	(3)	(4)	(5)	(6)	(7)	(8)	(9)	(10)	(11)	(12)	(13)	(14)	(15)
ENERGY SOURCES			UNITS	ACTUAL 2015	2016	2017	2018	2019	2020	2021	2022	2023	2024	2025
(1)	ANNUAL FIRM INTERCHANGE (INTER-REGION)		GWh	0	0	0	0	0	0	0	0	0	0	0
(2)	NUCLEAR Replacement Power		GWh	0	0	0	0	0	0	0	0	0	0	0
(3)	COAL		GWh	663	667	895	877	977	816	665	788	864	862	895
RESIDUAL														
(4)		STEAM	GWh	1	0	0	0	0	0	0	0	0	0	0
(5)		CC	GWh	0	0	0	0	0	0	0	0	0	0	0
(6)		CT	GWh	0	0	0	0	0	0	0	0	0	0	0
(7)		TOTAL:	GWh	1	0	0	0	0	0	0	0	0	0	0
DISTILLATE														
(8)		STEAM	GWh	0	0	0	0	0	0	0	0	0	0	0
(9)		CC	GWh	0	0	0	0	0	0	0	0	0	0	0
(10)		CT	GWh	0	0	0	0	0	0	0	0	0	0	0
(11)		TOTAL:	GWh	0	0	0	0	0	0	0	0	0	0	0
NATURAL GAS														
(12)		STEAM	GWh	224	79	83	80	63	53	82	60	0	0	0
(13)		CC	GWh	538	765	712	847	631	818	941	878	856	910	898
(14)		CT	GWh	9	4	1	1	0	0	1	2	7	8	23
(15)		TOTAL:	GWh	771	848	796	928	694	871	1024	940	863	918	921
(16)	NUG		GWh	0	0	0	0	0	0	0	0	0	0	0
(17)	BIOFUELS		GWh	0	0	0	0	0	0	0	0	0	0	0
(18)	BIOMASS	PPA	GWh	345	189	181	139	166	138	181	168	195	239	217
(19)	GEOTHERMAL		GWh	0	0	0	0	0	0	0	0	0	0	0
(20)	HYDRO	PPA	GWh	0	0	0	0	0	0	0	0	0	0	0
(21)	LANDFILL GAS		GWh	29	29	29	29	29	29	29	29	0	0	0
(22)	MSW		GWh	0	0	0	0	0	0	0	0	0	0	0
(23)	SOLAR	FIT & Net	GWh	0	0	0	0	0	0	0	0	0	0	0
(24)	WIND		GWh	0	0	0	0	0	0	0	0	0	0	0
(25)	OTHER RENEWABLE		GWh	0	0	0	0	0	0	0	0	0	0	0
(26)	Total Renewable		GWh	374	218	210	168	195	167	210	197	195	239	217
(27)	Purchased Energy		GWh	215	310	159	118	157	185	156	147	166	85	87
(28)	NET ENERGY FOR LOAD		GWh	2024	2043	2060	2091	2023	2039	2055	2072	2088	2104	2120

Schedule 6.2
ENERGY SOURCES (%)
As of January 1, 2016

(1)	(2)	(3)	(4)	(5)	(6)	(7)	(8)	(9)	(10)	(11)	(12)	(13)	(14)	(15)
				ACTUAL										
ENERGY SOURCES			UNITS	2015	2016	2017	2018	2019	2020	2021	2022	2023	2024	2025
(1)	ANNUAL FIRM INTERCHANGE (INTER-REGION)		GWh	0.0%	0.0%	0.0%	0.0%	0.0%	0.0%	0.0%	0.0%	0.0%	0.0%	0.0%
(2)	NUCLEAR Replacement Power		GWh	0.0%	0.0%	0.0%	0.0%	0.0%	0.0%	0.0%	0.0%	0.0%	0.0%	0.0%
(3)	COAL		GWh	32.8%	32.6%	43.4%	41.9%	48.3%	40.0%	32.4%	38.0%	41.4%	41.0%	42.2%
RESIDUAL														
(4)		STEAM	GWh	0.0%	0.0%	0.0%	0.0%	0.0%	0.0%	0.0%	0.0%	0.0%	0.0%	0.0%
(5)		CC	GWh	0.0%	0.0%	0.0%	0.0%	0.0%	0.0%	0.0%	0.0%	0.0%	0.0%	0.0%
(6)		CT	GWh	0.0%	0.0%	0.0%	0.0%	0.0%	0.0%	0.0%	0.0%	0.0%	0.0%	0.0%
(7)		TOTAL:	GWh	0.0%	0.0%	0.0%	0.0%	0.0%	0.0%	0.0%	0.0%	0.0%	0.0%	0.0%
DISTILLATE														
(8)		STEAM	GWh	0.0%	0.0%	0.0%	0.0%	0.0%	0.0%	0.0%	0.0%	0.0%	0.0%	0.0%
(9)		CC	GWh	0.0%	0.0%	0.0%	0.0%	0.0%	0.0%	0.0%	0.0%	0.0%	0.0%	0.0%
(10)		CT	GWh	0.0%	0.0%	0.0%	0.0%	0.0%	0.0%	0.0%	0.0%	0.0%	0.0%	0.0%
(11)		TOTAL:	GWh	0.0%	0.0%	0.0%	0.0%	0.0%	0.0%	0.0%	0.0%	0.0%	0.0%	0.0%
NATURAL GAS														
(12)		STEAM	GWh	11.1%	3.9%	4.0%	3.8%	3.1%	2.6%	4.0%	2.9%	0.0%	0.0%	0.0%
(13)		CC	GWh	26.6%	37.4%	34.6%	40.5%	31.2%	40.1%	45.8%	42.4%	41.0%	43.3%	42.4%
(14)		CT	GWh	0.4%	0.2%	0.0%	0.0%	0.0%	0.0%	0.0%	0.1%	0.3%	0.4%	1.1%
(15)		TOTAL:	GWh	38.1%	41.5%	38.6%	44.4%	34.3%	42.7%	49.8%	45.4%	41.3%	43.6%	43.4%
(16)	NUG		GWh	0.0%	0.0%	0.0%	0.0%	0.0%	0.0%	0.0%	0.0%	0.0%	0.0%	0.0%
(17)	BIOFUELS		GWh	0.0%	0.0%	0.0%	0.0%	0.0%	0.0%	0.0%	0.0%	0.0%	0.0%	0.0%
(18)	BIOMASS	PPA	GWh	17.0%	9.3%	8.8%	6.6%	8.2%	6.8%	8.8%	8.1%	9.3%	11.4%	10.2%
(19)	GEOTHERMAL		GWh	0.0%	0.0%	0.0%	0.0%	0.0%	0.0%	0.0%	0.0%	0.0%	0.0%	0.0%
(20)	HYDRO		GWh	0.0%	0.0%	0.0%	0.0%	0.0%	0.0%	0.0%	0.0%	0.0%	0.0%	0.0%
(21)	LANDFILL GAS	PPA	GWh	1.4%	1.4%	1.4%	1.4%	1.4%	1.4%	1.4%	1.4%	0.0%	0.0%	0.0%
(22)	MSW		GWh	0.0%	0.0%	0.0%	0.0%	0.0%	0.0%	0.0%	0.0%	0.0%	0.0%	0.0%
(23)	SOLAR	FIT	GWh	0.0%	0.0%	0.0%	0.0%	0.0%	0.0%	0.0%	0.0%	0.0%	0.0%	0.0%
(24)	WIND		GWh	0.0%	0.0%	0.0%	0.0%	0.0%	0.0%	0.0%	0.0%	0.0%	0.0%	0.0%
(25)	OTHER RENEWABLE		GWh	0.0%	0.0%	0.0%	0.0%	0.0%	0.0%	0.0%	0.0%	0.0%	0.0%	0.0%
(26)	Total Renewable		GWh	18.5%	10.7%	10.2%	8.0%	9.6%	8.2%	10.2%	9.5%	9.3%	11.4%	10.2%
(27)	Purchased Energy		GWh	10.6%	15.2%	7.7%	5.6%	7.8%	9.1%	7.6%	7.1%	8.0%	4.0%	4.1%
(28)	NET ENERGY FOR LOAD		GWh	100.0%	100.0%	100.0%	100.0%	100.0%	100.0%	100.0%	100.0%	100.0%	100.0%	100.0%

3. FORECAST OF FACILITIES REQUIREMENTS

3.1 GENERATION RETIREMENTS

Deerhaven fossil steam unit #1 is scheduled for retirement in August 2022. These recent and planned changes to the System's generation mix are tabulated in Schedule 8.

3.2 RESERVE MARGIN AND SCHEDULED MAINTENANCE

GRU uses a planning criterion of 15% capacity reserve margin (suggested for emergency power pricing purposes by Florida Public Service Commission Rule 25-6.035). Available generating capacities are compared with System summer peak demands in Schedule 7.1 and System winter peak demands in Schedule 7.2. Higher peak demands in summer and lower unit operating capacities in summer result in lower reserve margins during the summer season than in winter. In consideration of existing resources, expected future purchases, and savings impacts from conservation programs, GRU expects to maintain a summer reserve margin well in excess of 15% over the next 10 years.

3.3 GENERATION ADDITIONS

GRU is planning for the addition of a 7.4 MW Reciprocating Engine for distributive generation at the South Energy Center. In addition, GRU has been issued a construction permit for the installation of a nominal 50 MW of peaking power in 2018, if required. The need, timing and technology of this peaking power addition are under evaluation.

3.4 DISTRIBUTION SYSTEM ADDITIONS

Up to five new, compact power delivery systems (PDS) were planned for the GRU system in 1999. Three of the four - Rocky Point, Kanapaha, and Ironwood - were installed by 2003. A fourth PDS, Springhill, was brought on-line in January

2011; a second transformer is scheduled to be installed here in 2020. The fifth PDS, known at this time as the Northwest Sub, is planned for addition to the System in 2021. This PDS will be located in the 2000 block of NW 53rd Avenue. These new compact-power delivery systems have been planned to redistribute the load from the existing substations as new load centers grow and develop within the System.

The Rocky Point, Kanapaha, and Ironwood PDS utilize single 33 MVA class transformers that are radial-tapped to our looped 138 kV system. The Springhill Substation consists of one 33 MVA class transformer served by a loop fed pole-mounted switch. Each PDS consists of one (or more) 138/12.47 kV, 33 MVA class, wye-wye substation transformer with a maximum of eight distribution circuits. The proximity of these new PDS's to existing area substations will allow for backup in the event of a substation transformer failure.

Schedule 7.1
Forecast of Capacity, Demand, and Scheduled Maintenance at Time of Summer Peak

(1)	(2)	(3)	(4)	(5)	(6)	(7)	(8)	(9)	(10)	(11)	(12)
Year	Total Installed Capacity (2) MW	Firm Capacity Import MW	Firm Capacity Export MW	QF MW	Total Capacity Available (3) MW	System Firm Summer Peak Demand (1) MW	Reserve Margin before Maintenance MW	% of Peak	Scheduled Maintenance MW	Reserve Margin after Maintenance (1) MW	% of Peak
2006	611	0	3	0	608	464	144	31.0%	0	144	31.0%
2007	611	0	0	0	611	481	130	27.1%	0	130	27.1%
2008	610	49	0	0	659	457	202	44.3%	0	202	44.3%
2009	608	101	0	0	708	465	243	52.4%	0	243	52.4%
2010	608	101	0	0	709	470	239	50.7%	0	239	50.7%
2011	608	52	0	0	660	445	215	48.3%	0	215	48.3%
2012	609	52	0	0	662	415	247	59.5%	0	247	59.5%
2013	598	53	0	0	650	416	234	56.3%	0	234	56.3%
2014	533	106	0	0	639	409	230	56.2%	0	230	56.2%
2015	533	106	0	0	639	421	218	51.7%	0	218	51.7%
2016	525	106	0	0	631	430	201	46.7%	0	201	46.7%
2017	525	106	0	0	631	434	197	45.5%	0	197	45.5%
2018	525	106	0	0	631	440	191	43.3%	0	191	43.3%
2019	525	106	0	0	631	434	197	45.4%	0	197	45.4%
2020	525	106	0	0	631	437	193	44.2%	0	193	44.2%
2021	525	106	0	0	631	441	190	43.0%	0	190	43.0%
2022	525	106	0	0	631	444	186	41.9%	0	186	41.9%
2023	450	106	0	0	556	448	108	24.0%	0	108	24.0%
2024	450	103	0	0	552	451	101	22.3%	0	101	22.3%
2025	450	103	0	0	552	455	97	21.4%	0	97	21.4%

(1) System Peak demands shown in this table reflect service to partial and full requirements wholesale customers.

(2) Details of planned changes to installed capacity from 2016-2025 are reflected in Schedule 8.

(3) The coincidence factor used for Summer photovoltaic capacity is 35%.

Schedule 7.2
Forecast of Capacity, Demand, and Scheduled Maintenance at Time of Winter Peak

(1)	(2)	(3)	(4)	(5)	(6)	(7)	(8)	(9)	(10)	(11)	(12)
Year	Total Installed Capacity (2) MW	Firm Capacity Import MW	Firm Capacity Export MW	QF MW	Total Capacity Available (3) MW	System Firm Winter Peak Demand (1) MW	Reserve Margin before Maintenance MW	% of Peak	Scheduled Maintenance MW	Reserve Margin after Maintenance (1) MW	% of Peak
2006/07	632	0	0	0	632	362	270	74.5%	0	270	74.5%
2007/08	631	0	0	0	631	361	270	74.7%	0	270	74.7%
2008/09	634	76	0	0	711	421	290	68.8%	0	290	68.8%
2009/10	628	76	0	0	704	464	240	51.8%	0	240	51.8%
2010/11	628	53	0	0	680	409	271	66.4%	0	271	66.4%
2011/12	630	52	0	0	682	371	311	83.8%	0	311	83.8%
2012/13	618	52	0	0	670	348	322	92.5%	0	322	92.5%
2013/14	550	106	0	0	656	348	308	88.4%	0	308	88.4%
2014/15	550	106	0	0	656	360	296	82.1%	0	296	82.1%
2015/16	550	106	0	0	656	348	308	88.4%	0	308	88.4%
2016/17	554	106	0	0	660	360	299	83.1%	0	299	83.1%
2017/18	561	106	0	0	667	366	301	82.4%	0	301	82.4%
2018/19	554	106	0	0	660	359	301	83.9%	0	301	83.9%
2019/20	554	106	0	0	660	362	298	82.4%	0	298	82.4%
2020/21	554	106	0	0	660	365	295	81.0%	0	295	81.0%
2021/22	554	106	0	0	660	367	292	79.6%	0	292	79.6%
2022/23	479	106	0	0	585	370	214	57.9%	0	214	57.9%
2023/24	479	103	0	0	581	373	208	55.7%	0	208	55.7%
2024/25	479	103	0	0	581	376	205	54.6%	0	205	54.6%
2025/26	479	103	0	0	581	379	202	53.5%	0	202	53.5%

(1) System Peak demands shown in this table reflect service to partial and full requirements wholesale customers.

(2) Details of planned changes to installed capacity from 2016-2025 are reflected in Schedule 8.

(3) The coincidence factor used for Winter photovoltaic capacity is 9.3%.

**Schedule 8
PLANNED AND PROSPECTIVE GENERATING FACILITY ADDITIONS AND CHANGES**

(1)	(2)	(3)	(4)	(5)	(6)	(7)	(8)	(9)	(10)	(11)	(12)	(13)	(14)	(15)	(16)
Plant Name	Unit No.	Location	Unit Type	Fuel		Fuel Transport		Const. Start Mo/Yr	Comm. In-Service Mo/Yr	Expected Retire Mo/Yr	Gross Capability		Net Capability		Status
				Pri.	Alt.	Pri.	Alt.				Summer (MW)	Winter (MW)	Summer (MW)	Winter (MW)	
Deerhaven	FS01	Alachua County Secs. 26, 27,35, T8S, R19E	ST	NG	RFO	PL	TK		8/1972	8/2022	-80.0	-80.0	-75.0	-75.0	RT
South Energy Center	TBD	Alachua County	IC	NG	NA	PL	NA	7/2016	1/2018	1/2048	7.8	7.8	7.4	7.4	L

Unit Type

ST = Steam Turbine
 GT = Gas Turbine
 IC = Internal Combustion Engine

Transportation Method

PL = Pipeline
 RR = Railroad
 TK = Truck
 NA = Not Applicable

Fuel Type

NG = Natural Gas
 NUC = Uranium
 RFO = Residual Fuel Oil
 DFO = Distillate Fuel Oil
 NA = Not Applicable

Status

A = Generating unit capability increased
 RT = Generating unit retired or scheduled for retirement
 OS = Out of Service
 L = Regulatory approval pending. Not under construction.

Schedule 9
Description of Proposed Facility Under Discussion

(1)	Plant Name and Unit Number:	GRU Energy Center (Distributed Generation)
(2a)	Net Capacity	
	a. Summer	7.4 MW
	b. Winter	7.4 MW
(2a)	Gross Capacity	
	a. Summer	7.8 MW
	b. Winter	7.8 MW
(3)	Technology Type:	Reciprocating Internal Combustion
(4)	Anticipated Construction Timing	
	a. Field construction start-date:	7/1/2016
	b. Commercial in-service date:	1/1/2018
(5)	Fuel	
	a. Primary Fuel (by Heat Input)	Natural Gas
	b. Alternate Fuel	N/A
(6)	Air Pollution Control Strategy:	selective catalytic reduction
(7)	Cooling Method:	air and water cooled
(8)	Total Site Area (ft ²):	50,000 (existing)
(9)	Construction Status:	not started
(10)	Certification Status:	Not Certified
(11)	Status with Federal Agencies:	pending
(12)	Projected Unit Performance Data	
	Planned Outage Factor (POF):	3.0%
	Forced Outage Factor (FOF):	6.0%
	Equivalent Availability Factor (EAF):	95.0%
	Resulting Capacity Factor (CF)	90.0%
	Average Net Operating Heat Rate (ANOHR):	8,341
(13)	Projected Unit Financial Data	
	Book Life (Years)	30
	Total Installed Cost (2016\$/kW)	1208
	Direct Construction Cost (\$2016/kW):	1113
	Capitalized Interest (\$/kW)	N/A
	Escalation (\$2016/kW)	N/A
	Escalation:	0%
	Fixed O&M (\$2016/kW-Yr):	0
	Variable O&M (\$2016/MWh):	9.67

4. ENVIRONMENTAL AND LAND USE INFORMATION

4.1 DESCRIPTION OF POTENTIAL SITES FOR NEW GENERATING FACILITIES

Currently, there are no new potential generation sites planned. The System plans to install 7.4 MW of combined heat and power at the existing South Energy Center generation site. GRU has also been issued a construction permit for up to 50 MW of generation at the existing Deerhaven generation site, but GRU has not yet evaluated what type of generation, if any, will be added to the Deerhaven generating facility.

4.2 DESCRIPTION OF PREFERRED SITES FOR NEW GENERATING FACILITIES

Any additional system generation is expected to be sited at the existing Deerhaven and South Energy Center sites. Evaluation of the need for future generation is in progress.

4.2.1 Land Use and Environmental Features

The location of the sites is indicated on Figures 1.1 (see Section 1), 4.1, and 4.2. The existing land use of the certified portion of the Deerhaven site is industrial (i.e., electric power generation and transmission and ancillary uses such as fuel storage and conveyance, water withdrawal, combustion product handling and disposal, and forest management). The areas acquired since 2002 have been annexed into the City of Gainesville. The site is a PS, Public Services and Operations District, zoned property. Surrounding land uses are primarily rural or agricultural with some low-density residential development. The Deerhaven site encompasses approximately 3,474 acres.

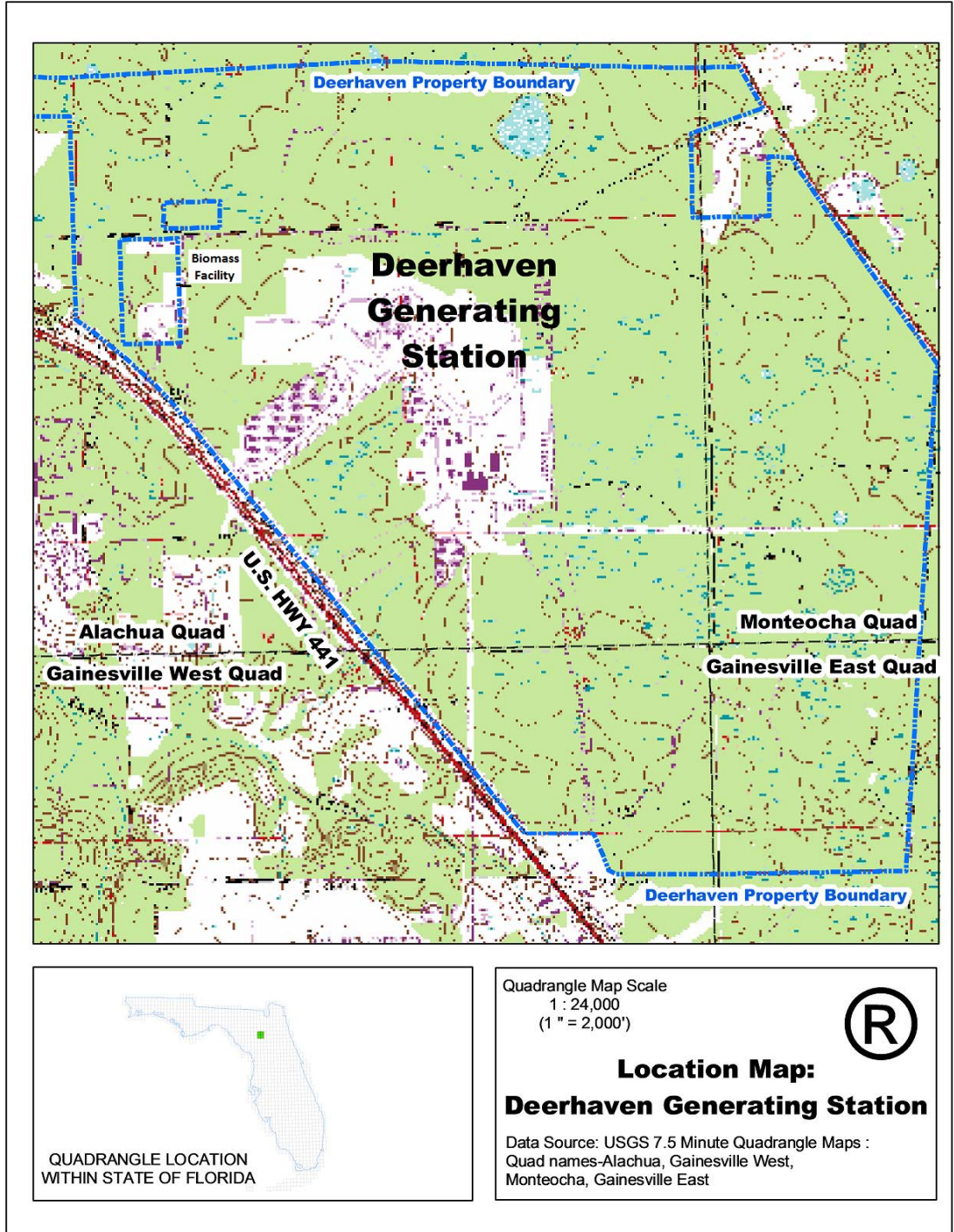
The Deerhaven Generating Station plant site is located in the Suwannee River Water Management District. Approximately 400,000 gallons per day of the water required for the biomass unit on-site is met using reclaimed water from the City of Alachua. Water for potable use is supplied via the City's potable water system. Groundwater will continue to be extracted from the Floridian aquifer. Process wastewater is currently collected, treated and reused on-site. The GRU portion of the site has zero discharge of process wastewater to surface and ground waters, with a brine concentrator/spray dryer and on-site storage and off-site disposal of solid wastewater treatment by-products.

The South Energy Center site is owned by UF Health. GRU has a long-term lease on the South Energy Center property and a long-term contract to supply power, steam, chilled water, and other utilities to UF Health from the South Energy Center. The South Energy Center is surrounded by medical facilities associated with the UF Health south campus. Reclaimed water is supplied to the South Energy Center from GRU's Main Street Water Reclamation facility, and is used as make-up water for the facility's cooling towers.

4.2.2 Air Emissions

The natural gas-fired unit to be added to the South Energy Center will feature Selective Catalytic Reduction (SCR) for NO_x control. The generation technology for the South Energy Center unit will meet all applicable standards for all pollutants regulated for this category of emissions unit. The combined heat and power system at the South Energy Center will be more than twice as efficient as traditional power and steam production equipment.

Figure 4.1
Deerhaven Generating Site



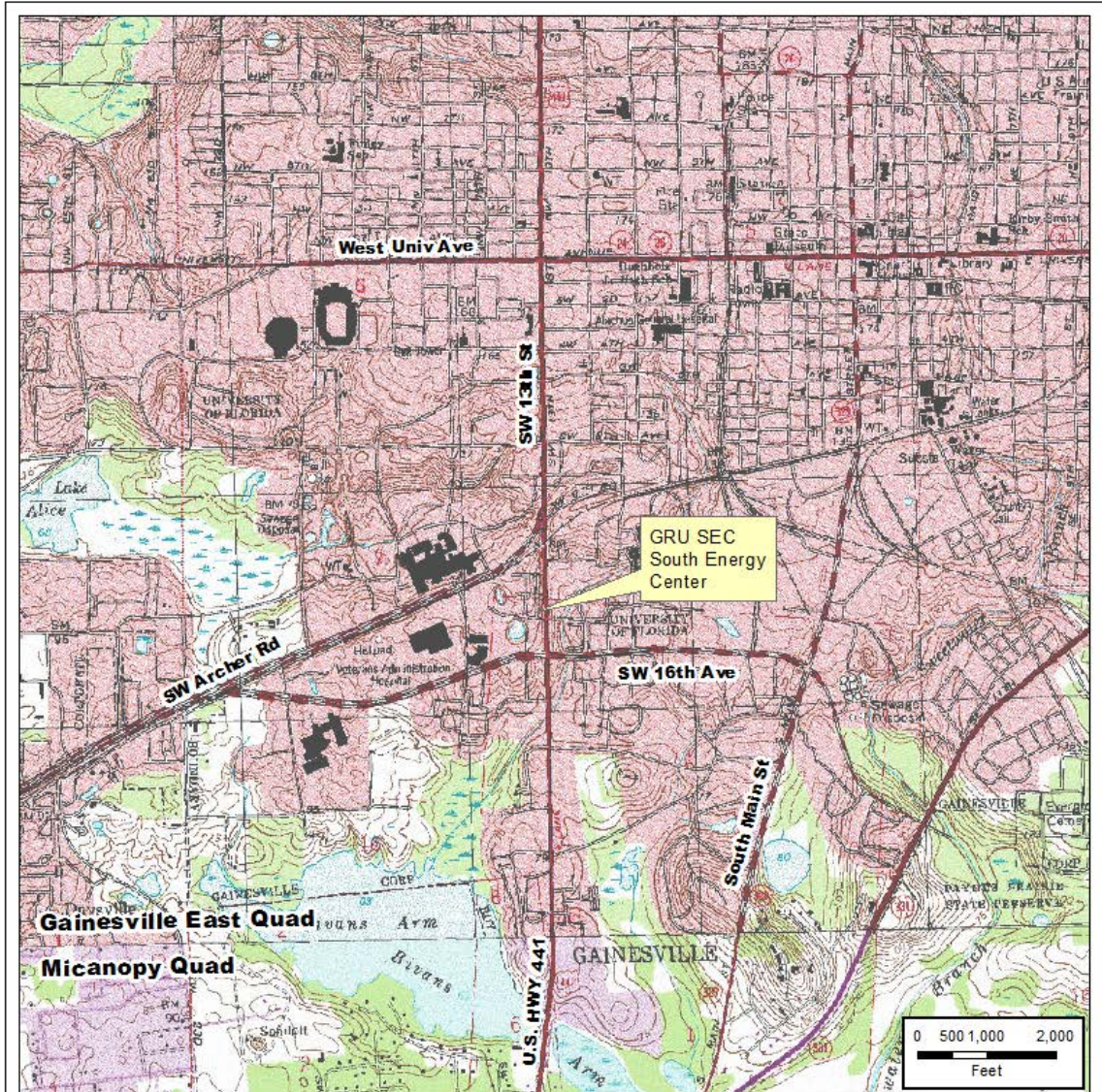
Quadrangle Map Scale
1 : 24,000
(1" = 2,000')



Location Map:
Deerhaven Generating Station

Data Source: USGS 7.5 Minute Quadrangle Maps :
Quad names-Alachua, Gainesville West,
Monteocha, Gainesville East

Figure 4.2
South Energy Center Generating Site



Quadrangle Map Scale
 1 : 24,000
 (1 " = 2,000')

**Location Map:
 SEC (South Energy Center)**

Data Source: USGS 7.5 Minute Quadrangle Maps
 Quad names: Gainesville East, Micanopy

D:\ARCDATA\TSP\SEC USGS.MXD PLOTTED: 3/17/2016 BY CA.O.